

Caution

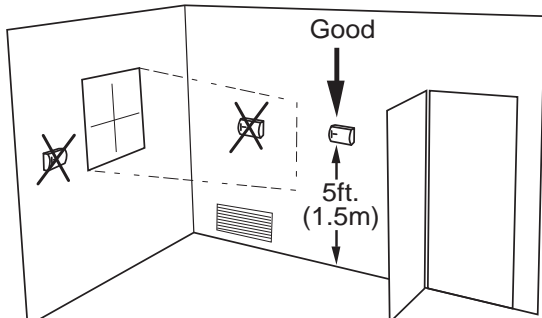
To avoid electrical shock and to prevent damage to the furnace, air conditioner, and thermostat, disconnect the power supply before beginning work. This can be done at the circuit breaker, or at the appliance.

Tools

You will need #1 Phillips screwdriver (small) and Drill with 3/16-in. (4.8mm) bit for this installation.

1 Location

- On replacement installations, mount the new thermostat in place of the old one if possible.
- On new Installations, follow the guidelines listed below.
- Locate the thermostat on an inside wall, about 5 ft. (1.5m) above the floor, and in a room that is used often.
- Do not install it where there are unusual heating conditions, such as: in direct sunlight; near a lamp, radio, television, radiator register, or fireplace; near hot water pipes in a wall; near a stove on the other side of a wall.
- Do not locate in unusual cooling conditions, such as: on a wall separating an unheated room; or in a draft from a stairwell, door, or window.
- Do not locate in a damp area. This can lead to corrosion that will shorten thermostat life.
- Do not locate where air circulation is poor, such as: in a corner or an alcove; or behind an open door.
- Do not install the unit until all construction work and painting has been completed.
- This thermostat does not require leveling.



C A U T I O N

- Your thermostat is a precise instrument. Please handle it with care.
- Turn off electricity to the appliance before installing or servicing thermostat or any part of the system. Do not turn electricity back on until work is completed.
- Do not short (jumper) across electric terminals at control on furnace or air conditioner to test the system.
- This will damage the thermostat and void your warranty.
- All wiring must conform to local codes and ordinances. This thermostat is designed for use with 24 volt AC and millivolt systems. The thermostat should be limited to a

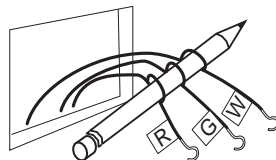
2 Remove old unit

- Switch electricity to the furnace and air conditioner OFF; then proceed with the following steps.
- Remove cover from old thermostat. Most are snap-on types and simply pull off. Some have locking screws on the side or front. These must be loosened. Note the letters printed near the terminals. Attach labels (enclosed) to each wire for identification.

Caution

Read instructions carefully before removing any wiring from existing thermostat. Wires must be labeled before they are removed. **THERE IS NO STANDARD COLOR CODE.** When removing wires from their terminals, ignore the color of the wires since these may not comply with the standard.

- Label the wires one at a time. **You must have all the wires labeled before you proceed.** With all wires labeled, remove them from the old unit.
- Make sure the wires **do not fall back inside** the wall. Wind them around a pencil to keep them from falling.
- Loosen all screws on the old thermostat and remove it from the wall.
- Fill wall opening with non-combustible insulation to prevent drafts.

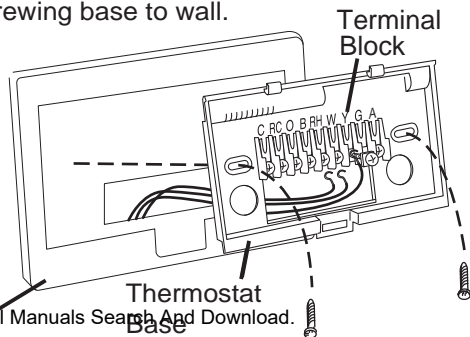
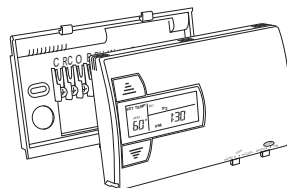


PG 3

3 Mount the 8022C

- Separate front from back of unit. Press up on the catch on bottom of thermostat and swing the body away from the base, lift up to remove the body from the base.
- Hold the base against the wall, with the wires coming through the opening below the terminal block.
- Position the base for best appearance. If you chose to use the optional Wall Plate, put it in position before screwing base to wall.
- Attach the base to the wall with the two screws provided.

If you are mounting the base to sheet rock or if you are using the old mounting holes, use the plastic anchors provided. Drill a 3/16-in.(4.8mm) hole for the insert at each screw location, then mount the base.

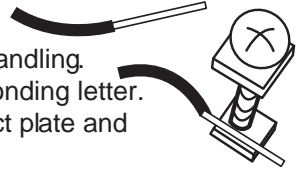


PG 4

4 Before you Connect Wires

Please follow these guidelines for safe and secure wire connections.

- Strip insulation 3/8 in. (9.5mm) from wire ends.
Take care not to damage the labels for each wire in handling.
- Connect labeled wires only to a terminal with corresponding letter.
- Bend the wire slightly, insert the wire under the contact plate and tighten the screw down onto the wire.



Caution

Do not allow wires to touch each other or parts on thermostat. Wires must be routed through the hole in the back plate, below the terminal block, or they will hit parts on the cover.

Optional Wire Connections

Determine which step-by-step wiring diagram you should use. Make sure your wires are labeled. This may require you to find the 'other end' connection for each wire on your heating or air conditioning equipment and read the label there.

If you have a wire marked "C" its connection is optional. If you do connect it the thermostat will draw power from the C wire and this will extend battery life.

If you have zoned heating/cooling systems with multiple thermostats. Please refer to the website at www.ritetemp-thermostats.com for installation details or call 1-888-515-2585 for assistance.

PG 5

What Wires Do You Have?

R - Single source power for heat/cool

Note: R connects to both RC and RH using the red jumper

RH or R - HEATING POWER

RC - COOLING POWER

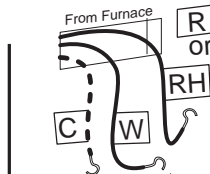
W - HEATING CONTROL

G - FAN RELAY

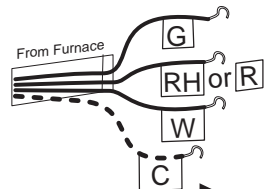
C - Common side of Heating Power

Y - COMPRESSOR

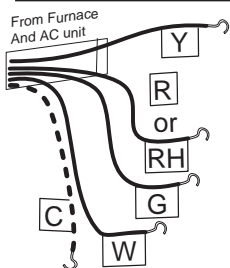
O - DAMPER OR CHANGEOVER VALVE (POWERED IN COOL)



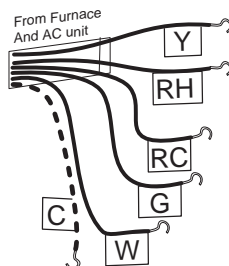
Go To Page 11



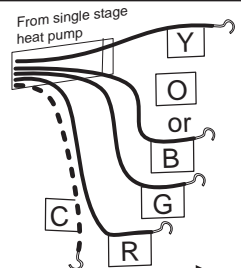
Go To Page 12



Go To Page 13

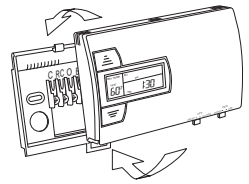


Go To Page 14



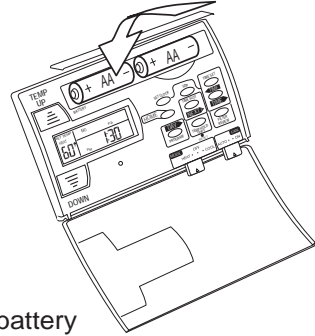
Go To Page 15

- When you have finished making connections. hook the top of the body onto the base, swing the body down, and snap the body onto the base.



5 Install Batteries

- The 8022C requires batteries to operate your furnace and retain its programming in memory.
- Switch MODE switch to OFF and the FAN switch to AUTO.
- Remove the front panel battery cover and install 2 AA alkaline batteries according to the polarity noted in the compartment. Initially, all LCD segments will go on.
- Press the **RESET** button to clear transient program memory.



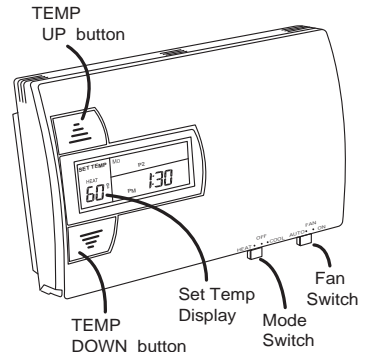
NOTE: Replace the batteries when this LOW battery indicator appears on the display or once a year. When replacing batteries, you have approximately 1/2 minute before your custom program is lost.



PG 7

6 Check Unit

- Follow these procedures to verify you have correctly installed the unit.
- **To check HEAT mode:**
Set the mode switch to HEAT. Set the fan switch AUTO. Using the TEMP UP button raise the set point to 90deg allow the system 5 min to respond. Verify that heat is blowing from the system.
- **To check COOL mode:**
Set the mode switch to COOL. Press the TEMP DOWN button to a temp 5 degrees below the room temperature. Allow the system 5 minutes to respond. Verify that cool air is blowing from the system.



To check Fan: (If you connected the G wire - fan relay)

6 Check Unit cont.

Note: If you have an electric furnace system and the blower does not operate after installation, remove the thermostat, turn it over, and find the electric/gas heat selector jumper on the back of the control unit. Switch it to "Elect"(see Diag below).

Congratulations, you have successfully installed your unit. Please proceed to the OPERATING Guide to initialize the new thermostat.

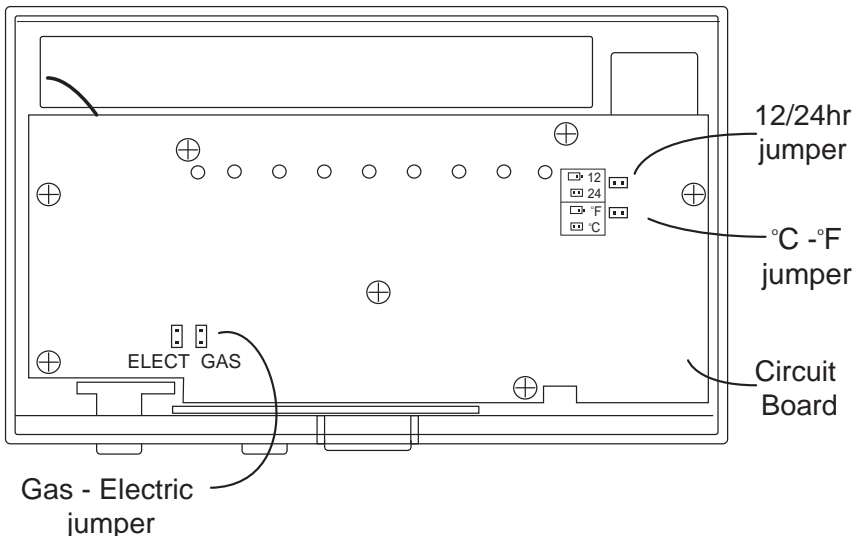
7 Power Options

1) The 8022C can run on batteries only. (2AA Alkaline) 24VAC and MV
The batteries will last well over 1 year. If the batteries are not replaced the thermostat will stop working.

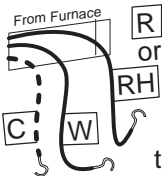
2) The 8022C can run on the C wire if available. 24VAC ONLY
As shown in the wiring diagrams, The C wire is the other side of the 24VAC heating transformer. If the C wire is used, the batteries are then for AC power loss only and will last much longer. The thermostat will continue working if the batteries die.

PG 9

Rear View of control unit



PG 10



STEP 1 - Connect the **R** (or RH) wire to the **RH** terminal on the thermostat.

This connects the Heater Power to the thermostat.

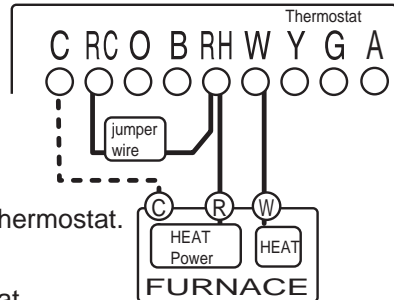
STEP 2 - Connect the **W** wire to the **W** terminal on the thermostat.

This connects the heater control line to the thermostat.

Your Heater is now connected to the thermostat.

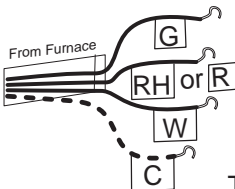
NOTE: Wires marked with the dotted line are optional.

2 WIRE Heating (GAS MILLIVOLT or 24vac)



PG 11

Return To Page 7



STEP 1 - Connect the **R** (or RH) wire to the **RH** terminal on the thermostat.

This connects to the Heater Power.

STEP 2 - Connect the **W** wire to the **W** terminal on the thermostat.

This connects the heater control line to the thermostat.

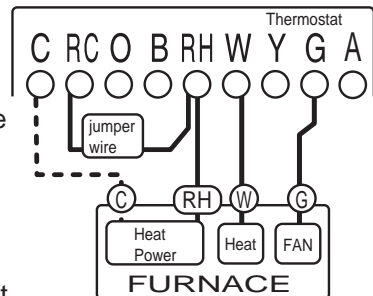
STEP 3 - Connect the **G** wire to the **G** terminal on the thermostat.

This connects the Fan to the thermostat.

Your system is now connected to the thermostat.

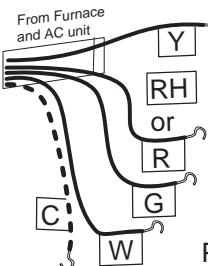
NOTE: Wires marked with the dotted line are optional.

3 WIRE



PG 12

Return To Page 7



STEP 1 - Connect the **Y** wire to the **Y** terminal on the thermostat. This connects to the Cooler compressor.

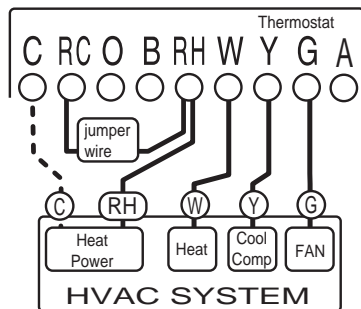
STEP 2 - Connect the **RH** or **R** wire to the **RH** terminal on the thermostat. This connects the Heater/Cooler Power.

STEP 3 - Connect the **W** wire to the **W** terminal on the thermostat. This connects to the heater control line.

STEP 4 - Connect the **G** wire to the **G** terminal on the Thermostat. This connects to the Fan.

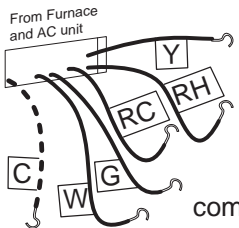
Your HVAC system is now connected to the thermostat.

4 WIRE



Return To Page 7

PG 13 NOTE: Wires marked with the dotted line are optional.



STEP 1 - Remove the red Jumper wire.

STEP 2 - Connect the **Y** wire to the **Y** terminal on the thermostat. This connects to the Cooler compressor.

STEP 3 - Connect the **RH** wire to the **RH** terminal on the thermostat. This connects to the Heater Power .

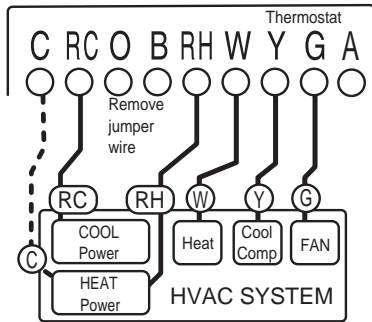
STEP 4 - Connect the **RC** wire to the **RC** terminal on the thermostat. This connects to the Cooling Power .

STEP 5 - Connect the **W** wire to the **W** terminal on the thermostat. This connects to the heater control line.

STEP 6 - Connect the **G** wire to the **G** terminal on the Thermostat. This connects to the Fan.

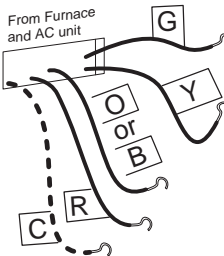
Your HVAC system is now connected to the thermostat.

5 WIRE



Return To Page 7

PG 14 NOTE: Wires marked with the dotted line are optional.



STEP 1 - Connect the G wire to the G terminal on the thermostat.

This connects the Fan.

STEP 2 - Add a jumper wire between W and Y.

STEP 3 - Connect the Y wire to the Y terminal on the thermostat.

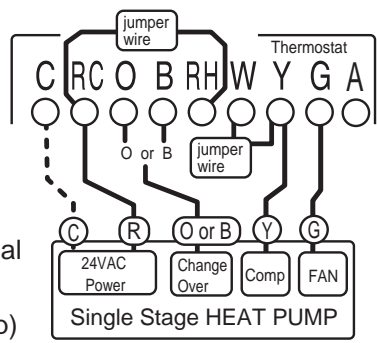
This connects the Compressor.

STEP 4 - Connect the O or B wire to the O or B terminal on the thermostat. (If you have both O and B contact Ritetemp or your local HVAC contractor for further help) This connects the change over valve.

STEP 5 - Connect the R wire to the RC terminal on the Thermostat. This connects to the 24vac power.

Your HVAC system is now connected to the thermostat.

SINGLE STAGE HEAT PUMP

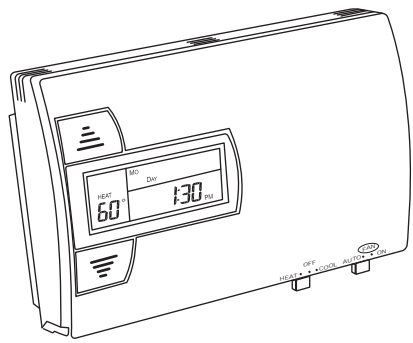


PG 15 NOTE: Wires marked with the dotted line are optional.



8022C Features

The 8022C can be used with most 24 volt gas, oil or electric heating and air conditioning systems, single-stage heat pumps or gas millivolt heating systems. It cannot be used with 120 volt heating systems or multistage heat pumps. Ask The Home Depot for other thermostats to control those systems.



The 8022C is programmable. There are four programming periods per day. Each period can be programmed separately.

You can use the built-in time/temperature programs, or alter them to suit your schedule.

The 8022C separately programs 7 days a Week and a Special Day - for both heating and cooling.

You can easily override the programmed temperatures for as little as one programming period or for an entire vacation.

A large liquid crystal display shows time, day of the week, room and set temperatures. It will also remind you when the filter

should be changed in your blower.

Temperature swing adjustment lets you fine-tune your system for maximum comfort and energy efficiency.

A 4-minute minimum off time in COOL protects your air conditioning system from being damaged.

Two "AA" batteries (not included) are used. An internal sensor and temperature programs, and to run the thermostat.

Free Manuals Download Website

<http://myh66.com>

<http://usermanuals.us>

<http://www.somanuals.com>

<http://www.4manuals.cc>

<http://www.manual-lib.com>

<http://www.404manual.com>

<http://www.luxmanual.com>

<http://aubethermostatmanual.com>

Golf course search by state

<http://golfingnear.com>

Email search by domain

<http://emailbydomain.com>

Auto manuals search

<http://auto.somanuals.com>

TV manuals search

<http://tv.somanuals.com>