

## DESCRIPTION

An adjustable Multi-lamp Recessed fixture for trimless installation suitable for downlighting and accent applications. Utilizes THREE (3) PAR30 Metal Halide lamps.

For new construction applications. Insulation must be kept 3" from all sides and at least 1" above the housing.

## SPECIFICATION FEATURES

### A... Housing

Housing, junction box & trimless meshplate assembly are all steel construction. Perforated meshplate allows for trimless installation in drywall/plaster ceilings by allowing the ceiling's mudding compound to be applied right up to the edge of the fixture opening. Includes a beveled "knife-edge" lips to ensure a clean edge. Can accommodate 0.50" to 1.25" ceiling thickness. Optional Chicago Plenum configuration available.

### B... System Protection:

Thermal protection provided to guard against overheating and misuse of insulation over and around fixture. Vent holes in housing provide cooler operation.

### C... Junction Box

Junction Box is UL listed for through

branch wiring, 6 #12 90° C supply conductors or 60° C for end of run. The fixture is also UL listed as 'access above ceiling not required'.

### D... Electrical

Electrical accessible through ceiling opening. J-Box located on the side wall of the housing behind removable access doors. Integral electronic metal halide ballasts on individually removable "trays" for easy maintenance. May also be configured for remote power.

### E... Lamps

Three (3) PAR30 Metal Halide lamps mounted in adjustable double gimbals. Lamp holders are individually removable and may be regressed 1" for additional cut-off. Lamp can accept up to three optical accessories (i.e. lens + hex louver + snoot). 45° x 45°

locking lamp adjustment. Beveled-edge lamp ring is secured with threadless, bayonet action. Optional retractable arm is available for lamp pull-down and extreme aiming. Includes Med. base sockets.

### F... Mounting

Butterfly Brackets accept 1/2" EMT, C Channel, Tbar fasteners, and bar hangers. Four tabs on housing for securing to structure. Perforated flaps along housing sides for securing trimless insert to fixture and drywall.

### G... Labels

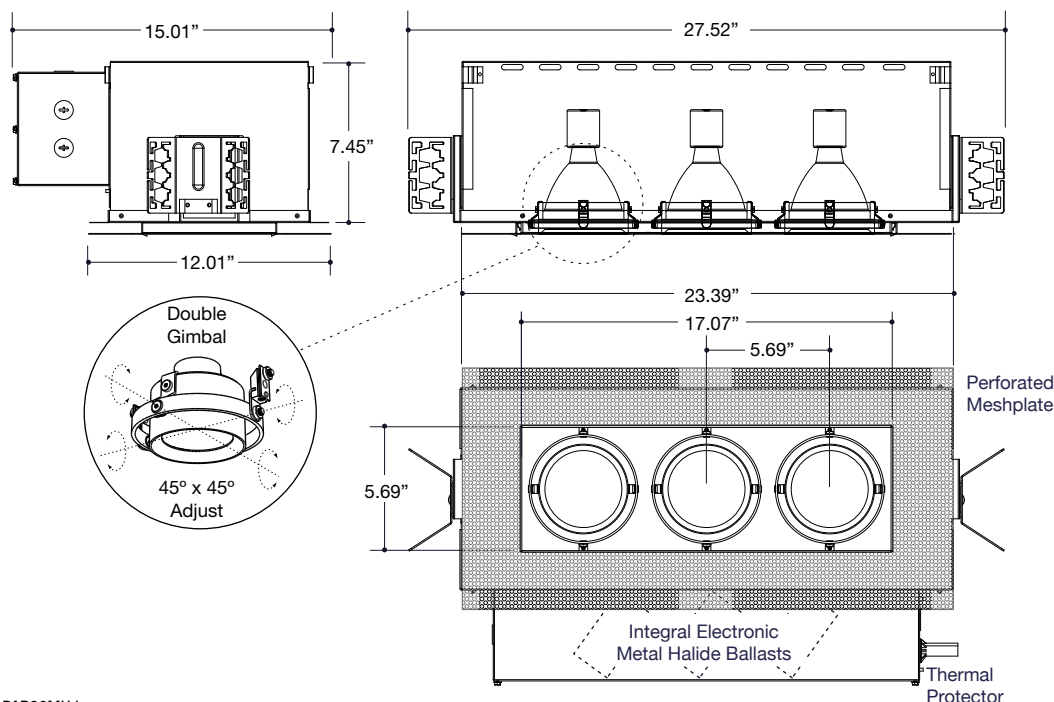
cULus listed for non-type IC applications, suitable for use in damp locations.

Ceiling Cut-Out: 6.49" x 17.87"

## COMBOLIGHT® Next Generation Recessed Multi-Lamp Fixture

### Three (3) Light PAR30 Metal Halide

### New Construction Housing Trimless



For use with 39W or 70W PAR30MH lamps.

## ORDERING INFORMATION



<b>C3</b>		<b>E</b>	<b>N</b>	<b>N</b>
<b>Configuration</b> C3 = COMBOLIGHT Recessed Three (3) Light	<b>Lamp Type / Wattage Label</b> 039M30 = 39 Watt PAR30 Metal Halide 070M30 = 70 Watt PAR30 Metal Halide	<b>Power Supply Voltage</b> 1 = 120V 2 = 277V	<b>Lamp Mechanism</b> G = Double Gimbal R = Retractable Double Gimbal	<b>Trim Insert Finish</b> N = Trimless
<b>Housing</b> N = New Construction C = Chicago Plenum	<b>Power Supply</b> E = Electronic Metal Halide Ballast	<b>Trim Insert</b> N = Trimless	<b>Housing Interior/Electrical Door/Sleeve Finish</b> W = White B = Black S = Industrial Silver	

## Free Manuals Download Website

<http://myh66.com>

<http://usermanuals.us>

<http://www.somanuals.com>

<http://www.4manuals.cc>

<http://www.manual-lib.com>

<http://www.404manual.com>

<http://www.luxmanual.com>

<http://aubethermostatmanual.com>

Golf course search by state

<http://golfingnear.com>

Email search by domain

<http://emailbydomain.com>

Auto manuals search

<http://auto.somanuals.com>

TV manuals search

<http://tv.somanuals.com>