

DESCRIPTION

An adjustable Multi-lamp Recessed fixture with a 0.75" trim flange suitable for downlighting and accent applications. Utilizes SIX (6) PAR20 Metal Halide lamps.

For new construction applications. Insulation must be kept 3" from all sides and at least 1" above the housing.

SPECIFICATION FEATURES

A... Housing

Housing, junction box & trim assembly are all steel construction. Fixture utilizes a removable trim sleeve to provide a 0.75" flange around the ceiling opening and to help conceal the inner hardware of the fixture from sight below the ceiling. Can accommodate 0.50" to 1.25" ceiling thickness. Optional Chicago Plenum configuration available.

B... System Protection:

Thermal protection provided to guard against overheating and misuse of insulation over and around fixture. Vent holes in housing provide cooler operation.

C... Junction Box

Junction Box is UL listed for through branch wiring, 6 #12 90° C supply conductors or 60° C for end of run. The fixture

is also UL listed as 'access above ceiling not required'.

D... Electrical

Electrical accessible through ceiling opening. J-Box located on the side wall of the housing behind removable access doors. Integral electronic metal halide ballasts on individually removable "trays" for easy maintenance. May also be configured for remote power.

E... Lamps

Six (6) PAR20 Metal Halide lamps mounted in adjustable double gimbals. Lamp holders are individually removable and may be re-gressed 1" for additional cut-off. Lamp can accept up to three optical accessories (*i.e. lens + hex louver + snoot*). 45° x 45° locking lamp adjustment. Beveled-edge lamp ring

is secured with threadless, bayonet action. Optional retractable arm is available for lamp pull-down and extreme aiming. Includes Med. base sockets.

F... Mounting

Butterfly Brackets accept 1/2" EMT, C Channel, T-bar fasteners, and bar hangers. Four tabs on housing for securing to structure.

G... Labels

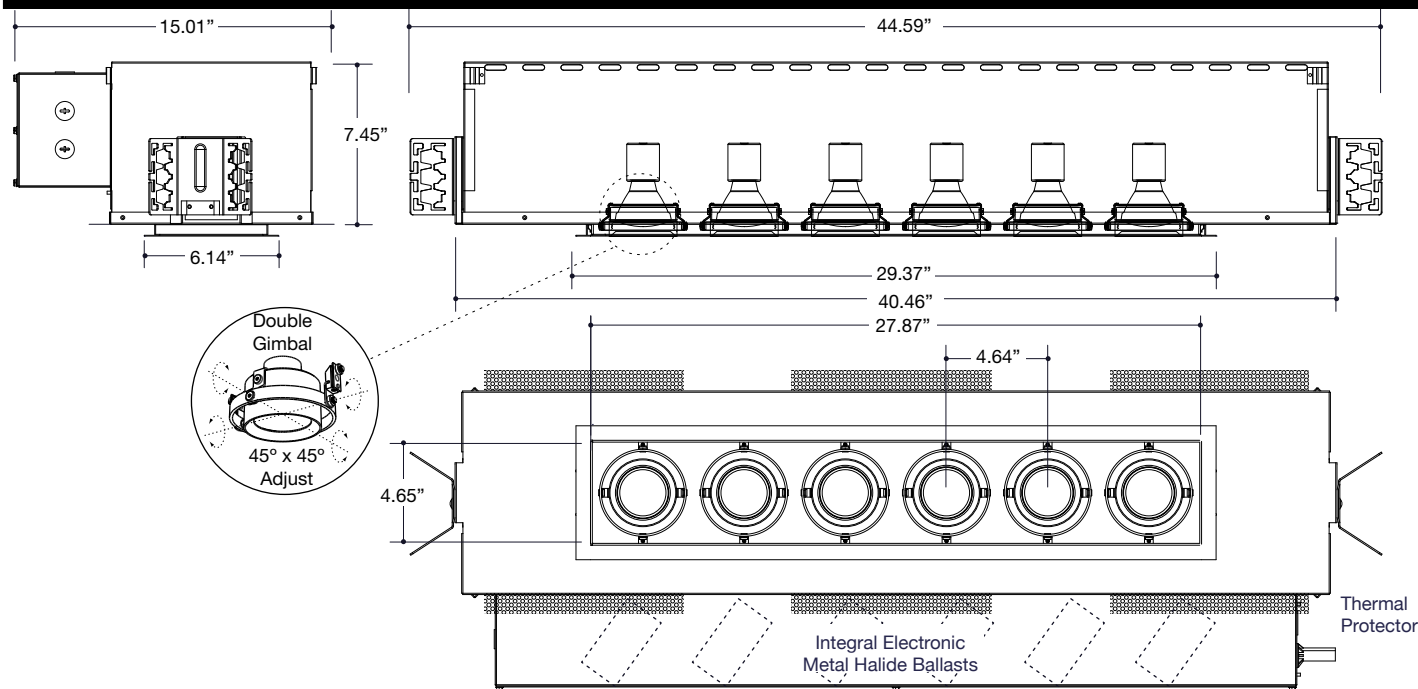
cULus listed for non-type IC applications, suitable for use in damp locations.

Ceiling Cut-Out: 5.44" x 28.67"

COMBOLIGHT® Next Generation Recessed Multi-Lamp Fixture

Six (6) Light
PAR20 Metal Halide

New Construction
Housing
w/ 0.75" Trim Flange



For use with 20W or 39W PAR20MH lamps.

ORDERING INFORMATION



C6		E	T		
Configuration C6 = COMBOLIGHT Recessed Six (6) Light	Lamp Type / Wattage Label 020M20 = 20 Watt PAR20 Metal Halide 039M20 = 39 Watt PAR20 Metal Halide	Power Supply Voltage 1 = 120V 2 = 277V	Lamp Mechanism G = Double Gimbal R = Retractable Double Gimbal	Trim Finish W = White B = Black S = Industrial Silver	
Housing N = New Construction C = Chicago Plenum		Power Supply E = Electronic Metal Halide Ballast	Trim Flange T = 0.75" Trim Flange	Housing Interior/Electrical Door/Sleeve Finish W = White B = Black S = Industrial Silver	

Free Manuals Download Website

<http://myh66.com>

<http://usermanuals.us>

<http://www.somanuals.com>

<http://www.4manuals.cc>

<http://www.manual-lib.com>

<http://www.404manual.com>

<http://www.luxmanual.com>

<http://aubethermostatmanual.com>

Golf course search by state

<http://golfingnear.com>

Email search by domain

<http://emailbydomain.com>

Auto manuals search

<http://auto.somanuals.com>

TV manuals search

<http://tv.somanuals.com>