

DESCRIPTION

An adjustable Multi-lamp Recessed fixture with a 0.75" trim flange suitable for downlighting and accent applications. Utilizes SIX (6) 12V AR70 lamps.

For remodel applications. Insulation must be kept 3" from all sides and at least 1" above the housing.

Catalog #		Type
Project		
Comments		Date
Prepared by		

SPECIFICATION FEATURES

A... Housing

Housing and junction box are aluminum, trim assembly is steel with powder coated finish. Fixture utilizes a removable trim sleeve to provide a 0.75" flange around the ceiling opening and to help conceal the inner hardware of the fixture from sight below the ceiling. Can accommodate various ceiling thickness.

B... System Protection:

Thermal protection provided to guard against overheating and misuse of insulation over and around fixture. Vent holes in housing provide cooler operation.

C... Junction Box

Junction Box is UL listed for through branch wiring, 6 #12 90° C supply conductors or 60° C for end of run. The fixture is also UL listed as 'access above ceiling not required'.

D... Electrical

Integral electronic or magnetic low voltage transformers. Transformers and electrical are mounted in a separate metal enclosure box attached to the junction box with 18" of flexible conduit. Transformer enclosure includes a separated wiring compartment and six knockouts for conduit entry. Transformer enclosure features perforated metal door for easy maintenance access and cooler operation. Entire electrical assembly (jbox and transformer enclosure) is removable from the housing for easy maintenance.

E... Lamps

Six (6) 12V AR70 lamps mounted in adjustable double gimbal. Lamp holders are removable and may be regressed 1" for additional cut-off. Lamps can accept up to three optical accessories (*i.e.* lens

+ hex louver + snoot). 45° x 45° locking lamp adjustment. Beveled-edge lamp ring is secured with threadless, bayonet action. Optional retractable arm is available for lamp pulldown and extreme aiming. Double contact bayonet base sockets included.

F... Mounting

A mounting frame is provided which inserts into the ceiling opening. The housing is then pushed through the mounting frame and secured with screws.

G... Labels

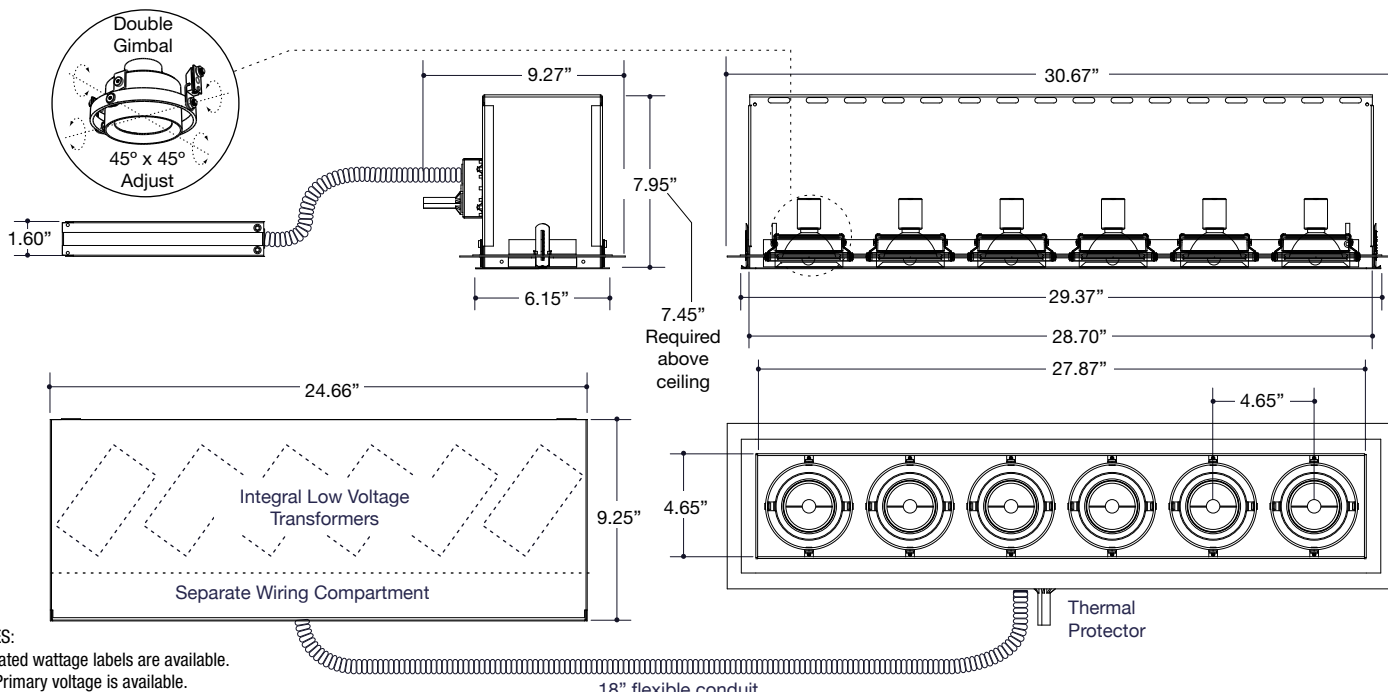
cULus listed for non-type IC applications, suitable for use in damp locations.

Ceiling Cut-Out: 5.90" x 28.96"

COMBOLIGHT® Next Generation Recessed Multi-Lamp Fixture

Six (6) Light
12V AR70

Remodel Housing
w/ 0.75" Trim Flange



NOTES:

De-Rated wattage labels are available.
12V Primary voltage is available.

ORDERING INFORMATION



C6	R		T	
Configuration C6 = COMBOLIGHT Recessed Six (6) Light	Lamp Type / Wattage Label 050A70 = 50 Watt max. AR70 12V		Power Supply Voltage 1 = 120V 2 = 277V	Lamp Mechanism G = Double Gimbal R = Retractable Double Gimbal
	Housing R = Remodel		Power Supply E = Electronic Low Voltage Transformer M = Magnetic Low Voltage Transformer	Trim Flange T = 0.75" Trim Flange
				Housing Interior/Electrical Door/Sleeve Finish W = White B = Black S = Industrial Silver

Free Manuals Download Website

<http://myh66.com>

<http://usermanuals.us>

<http://www.somanuals.com>

<http://www.4manuals.cc>

<http://www.manual-lib.com>

<http://www.404manual.com>

<http://www.luxmanual.com>

<http://aubethermostatmanual.com>

Golf course search by state

<http://golfingnear.com>

Email search by domain

<http://emailbydomain.com>

Auto manuals search

<http://auto.somanuals.com>

TV manuals search

<http://tv.somanuals.com>