



RVON-I/O

Stand-Alone 8-Port RVON Adapter for Matrices & Keypanels

Coupled with the same VoIP technology used with the RVON-8, the RVON-I/O takes analog audio and converts it to digital VoIP audio. By being able, to convert analog audio systems to digital VoIP audio the RVON-I/O expands the boundaries of digital audio to include analog. There are many applications in which the RVON-I/O can be used, such as:

- The conversion from analog to VoIP digital audio (and vice versa)
- Zeus Matrix to RVON-I/O to RVON- 1, or RVON-8, RVON-I/O to standard analog keypanel
- Zeus to RVON-I/O to RVON-1
- RVON-8 to RVON-I/O to Zeus to a keypanel.

RVON-I/O is fully compatible with following internationally recognized standards and protocols: G.711, G.729A and B, and G.723.

Features

Installation

The RVON-I/O provides a single RJ-45 Ethernet connection for use with a 10 BASE-T or 100 BASE-TX network.

8 Channels of Audio In and Out

The RVON-I/O supports with 8 channels IN and OUT and has configurable network and bandwidth parameters that can be tailored to individual network functions.

Trunk Capable

The RVON-I/O supports ancillary data control for use with RTS Intelligent Trunking.

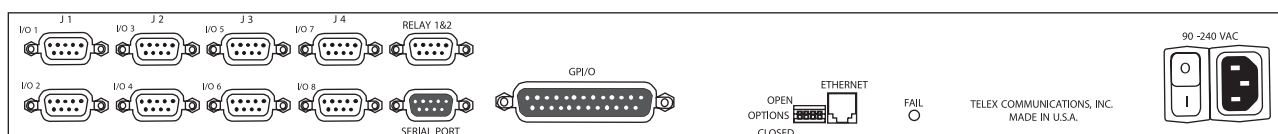
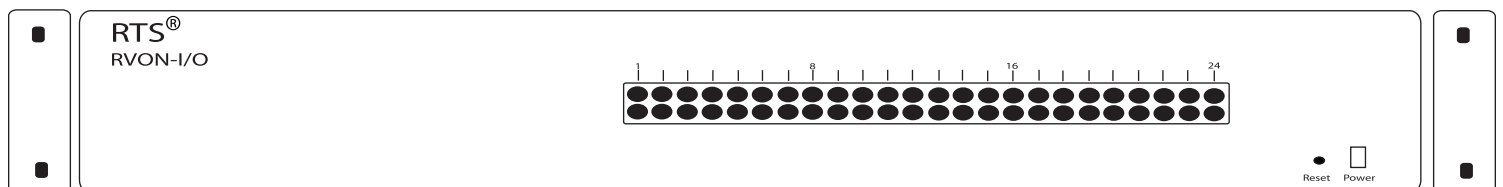
Addressing

Eight individually addressable audio channels. The RVON-I/O can feed simultaneously VoIP (voice over internet protocol) capable keypanels as well as various other matrix intercom systems.

Ethernet Compatible

The RVON-I/O uses standard Ethernet protocols and is compatible with 10 BASE-T and 100 BASE-TX Ethernet compliant devices and networks

Line Drawing



RVON-I/O Specifications

Digital

Compression	Audio Bit Rate	Coding Delay	Playout Delay	IP Bandwidth
G.711	64k	125µs	20-60ms	160-224 kbps
G.729 A & B	8k	10ms	20-120ms	32-112 kbps
G.723	5.3k/6.3k	30ms	60-120ms	29-45 kbps

Connections

RJ-45 Ethernet

DB-9 Serial port (8 AIO channels)

DB-25 Serial Port

DB-9 Relay Port

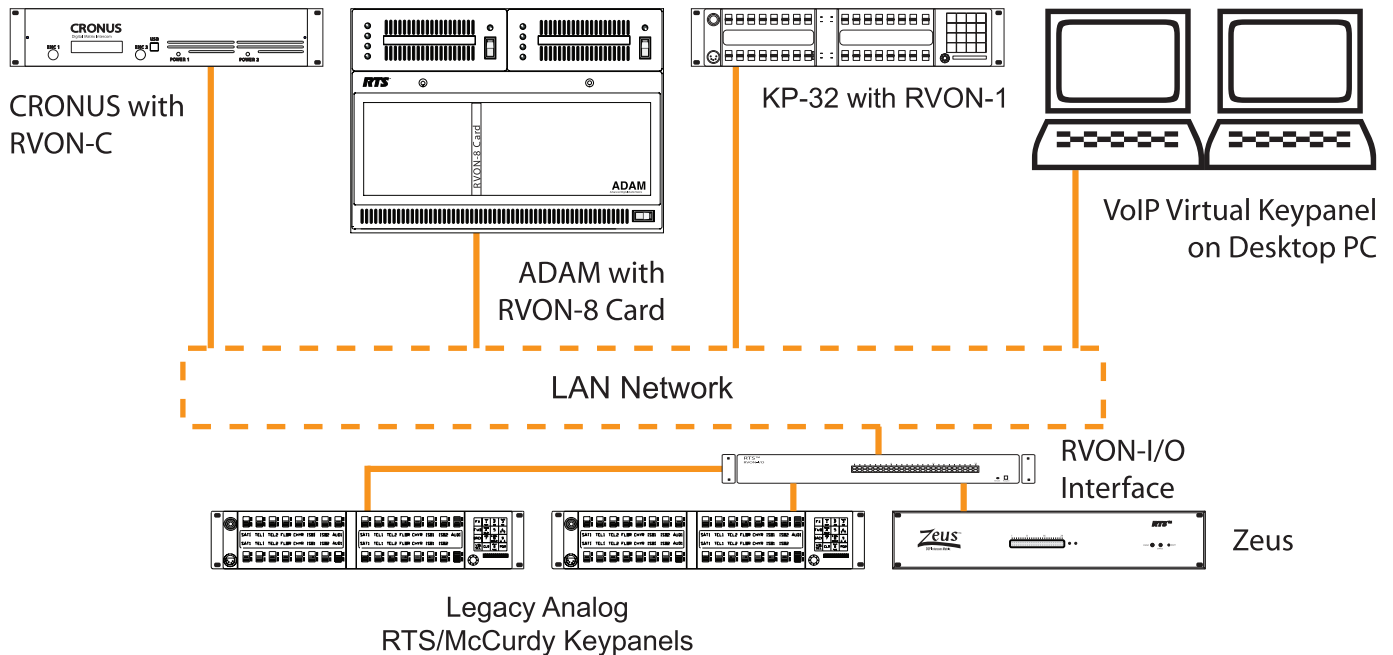
Power

90-240 VAC

Physical Dimensions

1.72" H (44mm) 19" (482.6 mm) W X 8" (203.2 mm) D

System Example



Contact Information

Telex Communications, Inc.
 12000 Portland Avenue South
 Burnsville, Minnesota 55337
 Telephone: 877-863-4169
 Fax: 800-955-6831

Form Number: 38110-403
 Date: April, 2006

Ordering Information

RVON-I/O
 Stand-alone 8-port RVON adapter for matrices &
 keypanels
 Catalog Number: 90007772000

This specifications information is preliminary and is subject to change without notification.
 Brand names mentioned are the property of their respective companies.

Free Manuals Download Website

<http://myh66.com>

<http://usermanuals.us>

<http://www.somanuals.com>

<http://www.4manuals.cc>

<http://www.manual-lib.com>

<http://www.404manual.com>

<http://www.luxmanual.com>

<http://aubethermostatmanual.com>

Golf course search by state

<http://golfingnear.com>

Email search by domain

<http://emailbydomain.com>

Auto manuals search

<http://auto.somanuals.com>

TV manuals search

<http://tv.somanuals.com>