

HIGH
PERFORMANCE
FULL RANGE
SPEAKERS

HPC1204
HPC1205
HPC1206
HPC1369

punch



INSTALLATION & OPERATION



SPECIFICATIONS

Model	HPC1204	HPC1205	HPC1206	HPC1369
Nominal Diameter	4"	5"	6.5"	6" X 9"
Description	2-way	2-way	2-way	3-way
Nominal Impedance	4Ω	4Ω	4Ω	4Ω
Frequency Response	107Hz - 20kHz	101Hz - 20kHz	76Hz - 20kHz	49Hz - 20kHz
Sensitivity (SPL@1w/1m)	86dB	89dB	89dB	89dB
Power Handling (watts RMS/Peak)	40/80	60/120	75/150	100/200
Features				
Cone	polypropylene	polypropylene	polypropylene	polypropylene
Surround	foam	foam	foam	foam
Tweeter	polythermide	polythermide	polythermide	polythermide
Installation				
Speaker Grilles	X	X	X	X
Speaker Wire	X	X	X	X
Mounting Hardware	X	X	X	X
Mounting Diameter (Inches)	3-21/32"	4-1/2"	5-21/32"	6-1/8" x 8-3/4"
Mounting Diameter (mm)	93mm	114mm	144mm	155 x 222mm
Mounting Depth (Inches)	1-27/32"	2-1/8"	2-9/16"	3-1/16"
Mounting Depth (mm)	47mm	54mm	65mm	78mm

Specifications are subject to change without notice.

Dear Customer,

Congratulations on your purchase of the world's finest brand of car audio speakers. At Rockford Fosgate we are fanatics about musical reproduction at its best, and we are pleased you chose our product. Through years of engineering expertise, hand craftsmanship and critical testing procedures, we have created a wide range of products that reproduce music with all the clarity and richness you deserve.

For maximum performance we recommend you have your new Rockford Fosgate product installed by an Authorized Rockford Fosgate Dealer, as we provide specialized training through Rockford Technical Training Institute (RTTI). Please read your warranty and retain your receipt and original carton for possible future use.

Great product and competent installations are only a piece of the puzzle when it comes to your system. Make sure that your installer is using 100% authentic installation accessories from Connecting Punch in your installation. Connecting Punch has everything from RCA cables and speaker wire to Power line and battery connectors. Insist on it! After all, your new system deserves nothing but the best.

To add the finishing touch to your new Rockford Fosgate image order your Rockford wearables, which include everything from T-shirts and jackets to hats and sunglasses.

To get a free brochure on Rockford Fosgate products and Rockford wearables, in the U.S. call 480-967-3565 or FAX 480-967-8132. For all other countries, call +001-480-967-3565 or FAX +001-480-967-8132.

PRACTICE SAFE SOUND™

CONTINUOUS EXPOSURE TO SOUND PRESSURE LEVELS OVER 100dB MAY CAUSE PERMANENT HEARING LOSS. HIGH POWERED AUTOSOUND SYSTEMS MAY PRODUCE SOUND PRESSURE LEVELS WELL OVER 130dB. USE COMMON SENSE AND PRACTICE SAFE SOUND.

If, after reading your manual, you still have questions regarding this product, we recommend that you see your Rockford Fosgate dealer. If you need further assistance, you can call us direct at 1-800-669-9899. Be sure to have your serial number, model number and date of purchase available when you call.

The serial number can be found on the outside of the box. Please record it in the space provided below as your permanent record. This will serve as verification of your factory warranty and may become useful in recovering your speakers if they are ever stolen.

Serial Number: _____

Model Number: _____

TABLE OF CONTENTS

Specifications	i
Dear Customer	ii
Introduction	1
Package Contents	1
Installation	2
Warranty Information	3
International Information	4

GETTING STARTED

Welcome to Rockford Fosgate! This manual is designed to provide information for the owner, salesperson and installer. For those of you who want quick information on how to install this product, please turn to the ***Installation Section*** of this manual. Other information can be located by using the Table of Contents. We, at Rockford Fosgate, have worked very hard to make sure all the information in this manual is current. But, as we are constantly finding new ways to improve our product, this information is subject to change without notice.

INTRODUCTION

This manual contains information on the construction, installation and operation of the Punch High Performance (HPC) Full Range Speakers. We recommend you keep this manual for future reference.

The Punch High Performance Full Range Speakers are a line of coaxial (two-way) and triaxial (three-way) speakers designed to improve the performance of factory installed car stereo systems. Sized to fit most automotive applications, the Punch High Performance Full Range Speakers provide the first step to upgrading your factory system.

PACKAGE CONTENTS

- 1 Pair of Punch High Performance Full Range Speakers
- 1 Pair Grilles (HPC1204, HPC1205, HPC1206, HPC1369 only)
- 20' of 18 gauge Speaker Wire
- Mounting Hardware
- Installation & Operation Manual

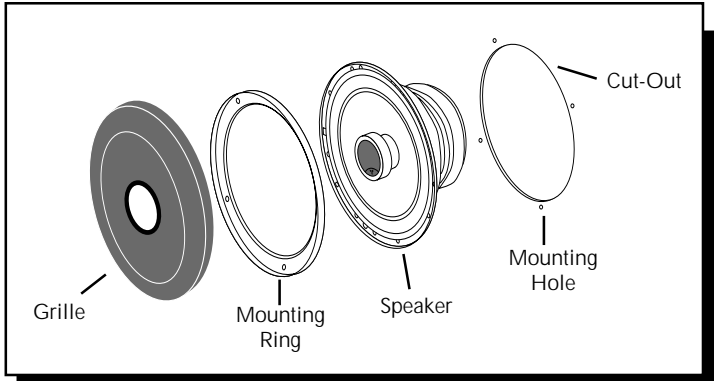
INSTALLATION

Since some of these Punch High Performance Full Range Speakers are most often used as direct replacements for stock speakers and are shipped without grilles, some of the following instructions will not apply. For custom installations see your Authorized Rockford Fosgate Dealer.

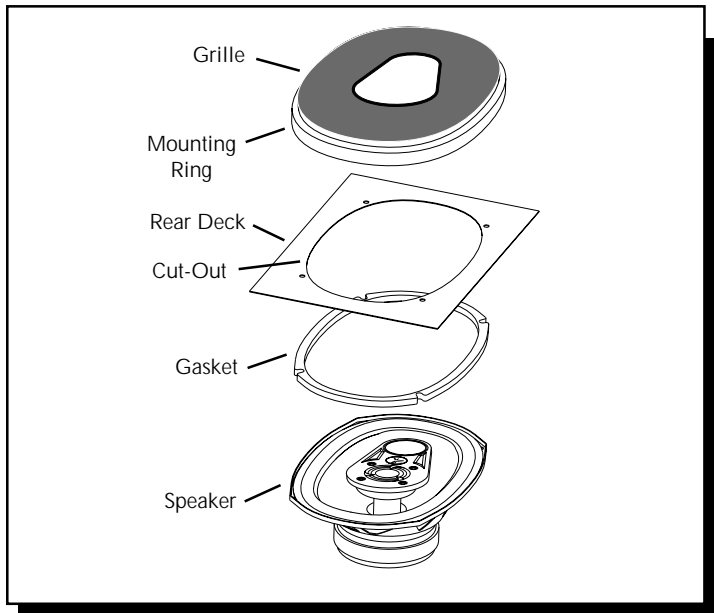
1. Determine where the speakers will be mounted. Ensure an area large enough for the speaker to mount evenly. Be sure that the mounting location is deep enough for the speaker to fit; if mounting in a door, operate all functions (windows, locks, etc.) through their entire operating range to ensure there is no obstruction.
2. Refer to the specification chart to determine the proper diameter hole to cut for your speaker model.
3. Using the plastic mounting ring as a template, mark the locations for the mounting screws. Drill the holes with a 1/8" bit.
4. Feed the speaker wires through the cutout and the plastic mounting ring (from the flat side) and connect to the speaker terminals. Be sure to observe proper polarity when connecting the wires. The speaker's positive terminal is indicated with a (+) or colored dot.

INSTALLATION

5. Fit the ring and speaker to the cutout. Mount them using the enclosed screws. Fit the grille inside the ring and press gently, but firmly, into place.



Example of standard door installation



Example of 6" x 9" rear-deck installation

LIMITED WARRANTY INFORMATION

Rockford Corporation offers a limited warranty on Rockford Fosgate products on the following terms:

- **Length of Warranty**

- | | |
|------------------------|--|
| 1 year on speakers | 90 days on speaker B-stock (receipt required) |
| 3 years on electronics | 90 days on electronic B-stock (receipt required) |
| 1 year on source units | |

- **What is Covered**

This warranty applies only to Rockford Fosgate products sold to consumers by Authorized Rockford Fosgate Dealers in the United States of America or its possessions. Product purchased by consumers from an Authorized Rockford Fosgate Dealer in another country are covered only by that country's Distributor and not by Rockford Corporation.

- **Who is Covered**

This warranty covers only the original purchaser of Rockford product purchased from an Authorized Rockford Fosgate Dealer in the United States. In order to receive service, the purchaser must provide Rockford with a copy of the receipt stating the customer name, dealer name, product purchased and date of purchase.

- **Products found to be defective** during the warranty period will be repaired or replaced (with a product deemed to be equivalent) at Rockford's discretion.

- **What is Not Covered**

1. Damage caused by accident, abuse, improper operations, water, theft
2. Any cost or expense related to the removal or reinstallation of product
3. Service performed by anyone other than Rockford or an Authorized Rockford Fosgate Service Center
4. Any product which has had the serial number defaced, altered, or removed
5. Subsequent damage to other components
6. Any product purchased outside the U.S.
7. Any product not purchased from an Authorized Rockford Fosgate Dealer

- **Limit on Implied Warranties**

Any implied warranties including warranties of fitness for use and merchantability are limited in duration to the period of the express warranty set forth above. Some states do not allow limitations on the length of an implied warranty, so this limitation may not apply. No person is authorized to assume for Rockford Fosgate any other liability in connection with the sale of the product.

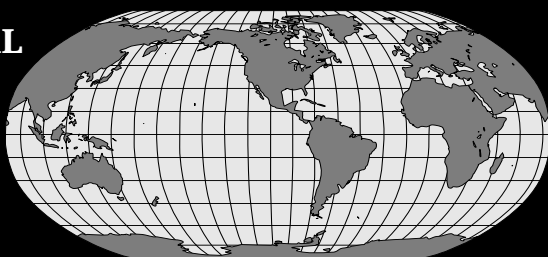
- **How to Obtain Service**

Please call 1-800-669-9899 for Rockford Customer Service. You must obtain an RA# (Return Authorization number) to return any product to Rockford Fosgate. You are responsible for shipment of product to Rockford.

Ship to: **Electronics**
Rockford Corporation
Warranty Repair Department
2055 E. 5th Street
Tempe, AZ 85281
RA#: _____

Ship to: **Speakers**
Rockford Acoustic Design
(Receiving-speakers)
609 Myrtle N.W.
Grand Rapids, MI 49504
RA#: _____

INTERNATIONAL INFORMATION



Lea detenidamente las siguientes instrucciones de instalación del producto.

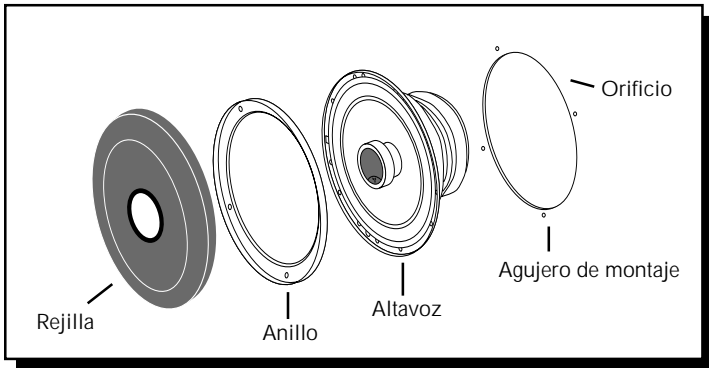
INTRODUCCIÓN

Este manual contiene información sobre la construcción, instalación y funcionamiento de los altavoces de todo rango. Le recomendamos que conserve el manual para futuras consultas.

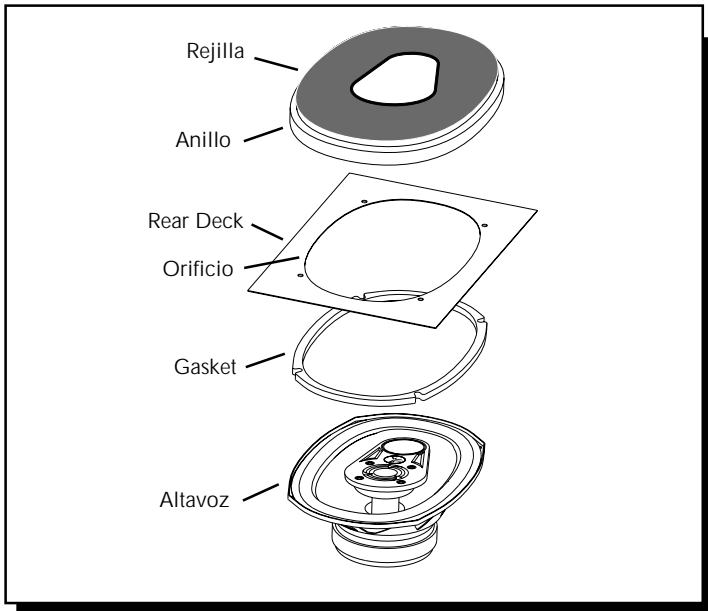
INSTALACIÓN

La mayoría de estos altavoces se usan principalmente como reemplazo directo de los altavoces de origen del vehículo y no vienen equipados con rejillas, por lo que algunas de las siguientes instrucciones no serán aplicables. Para una instalación personalizada consulte a su distribuidor autorizado Rockford Fosgate.

1. Determine donde han de montarse los altavoces. Asegúrese de que hay espacio suficiente tanto de área como de profundidad para alojar el altavoz. Si el montaje es en una puerta, todas las funciones han de ser respetadas (alzacristales, cierres, etc.).
2. Consulte la hoja de características para determinar el diámetro del agujero a realizar para su modelo de altavoz.
3. Use los anillos de montaje de plástico como plantilla. Marque la posición de los tornillos de anclaje.
4. Pase el cable de altavoz a través del anillo de plástico y conéctelo a los terminales del altavoz. Observe la polaridad. El terminal positivo está marcado con un punto.
5. Ajuste el anillo y el altavoz al orificio. Móntelo utilizando los tornillos suministrados. Fije la rejilla en el anillo de plástico y presione firmemente.



Example of standard door installation



Example of 6" x 9" rear-deck installation

Veillez liere les instructions suivantes pour l'installation de ces produits.

INTRODUCTION

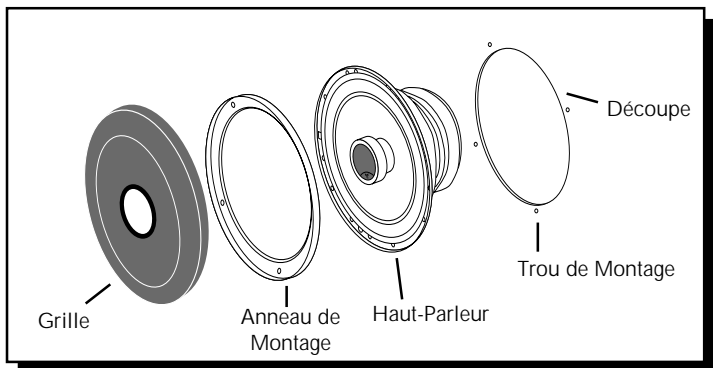
Ce manuel contient des informations sur la construction, l'installation et le fonctionnement des haut-parleurs large bande. Nous vous proposons de garder ce manuel pour tout référence future.

Les haut-parleurs large bande sont des haut-parleurs à deux voies conçus pour améliorer les performances des haut-parleurs installés d'origine. Leurs tailles étant prévues pour les emplacements les plus courants, les haut-parleurs large bande constituent le premier pas dans l'amélioration des systèmes d'origine.

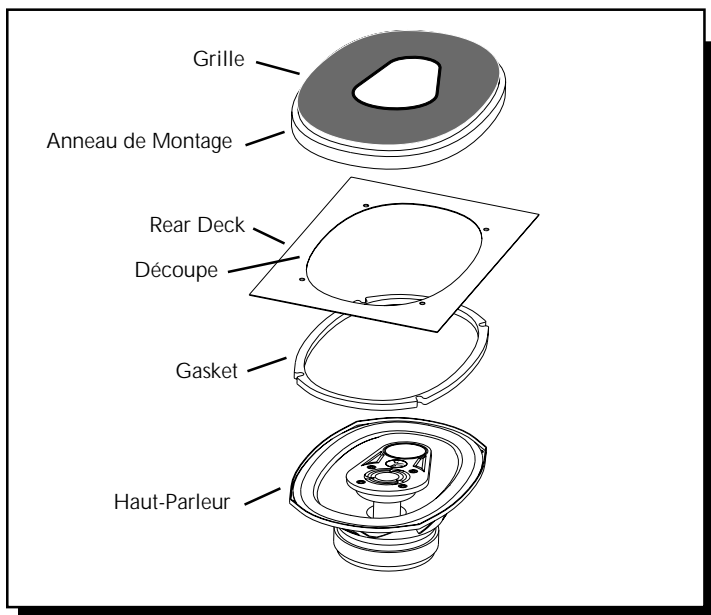
INSTALLATION

Comme certains de ces haut-parleurs sont souvent utilisés directement en remplacement des haut-parleurs d'origine et sont livrés sans grilles certaines des recommandations suivantes ne s'appliqueront pas. Pour des installations personnalisés voyez votre dealer agréé Rockford Fosgate.

1. Déterminer l'endroit où le haut-parleur sera monté. Assurez-vous que cet endroit est suffisamment large et profond pour monter le haut-parleur de manière équilibrée. Si le haut-parleur est monté dans une porte assurez-vous que toutes les commodités de la porte fonctionnent complètement et correctement sans que le haut-parleur ne leur fasse obstruction (lève-vitre, verrouillage, etc.).
2. Reportez-vous au tableau des spécifications techniques pour déterminer le bon diamètre de coupe du trou destiné au haut-parleur.
3. Utilisez l'anneau en plastique comme modèle et localisez l'emplacement des vis. Préforez les trous avec une mèche de 3 mm.
4. Faites passer les fils de connexion au travers du trou et de l'anneau en plastique et connectez les aux bornes du haut-parleur. Veillez à bien observer les polarités. La borne positive du haut-parleur est marqué avec un point.
5. Fixez l'anneau et le haut-parleur autour du trou avec les vis livrées. Placez la grille dans l'anneau et poussez la fermement.



Example of standard door installation



Example of 6" x 9" rear-deck installation

Bitte lesen Sie diese Gebrauchsanleitung zuerst sorgfältig durch. Das kann Sie vor falschem Einsatz, Ausfallen oder sogar Beschädigung des Produktes oder Ihres Fahrzeuges schützen.

EINLEITUNG

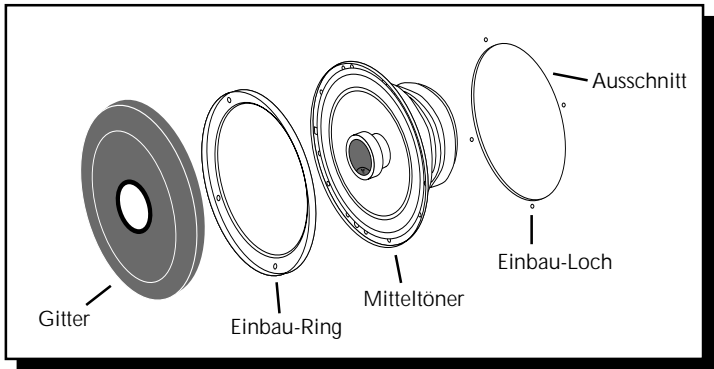
Diese Einbauanleitung enthält Informationen über den Aufbau, für den Einbau und über die Arbeitsweise der Vollbereichslautsprecher. Wir empfehlen Ihnen, diese sorgfältig aufzubewahren.

Die Vollbereichslautsprecher sind Zwei-Wege Lautsprecher, die für die Originaleinbau-Plätze Ihres Fahrzeuges entwickelt und gefertigt werden. Passend für die meisten Originaleinbau-Plätze und der erste Schritt zur Verbesserung Ihrer Auto-HiFi Musikanlage.

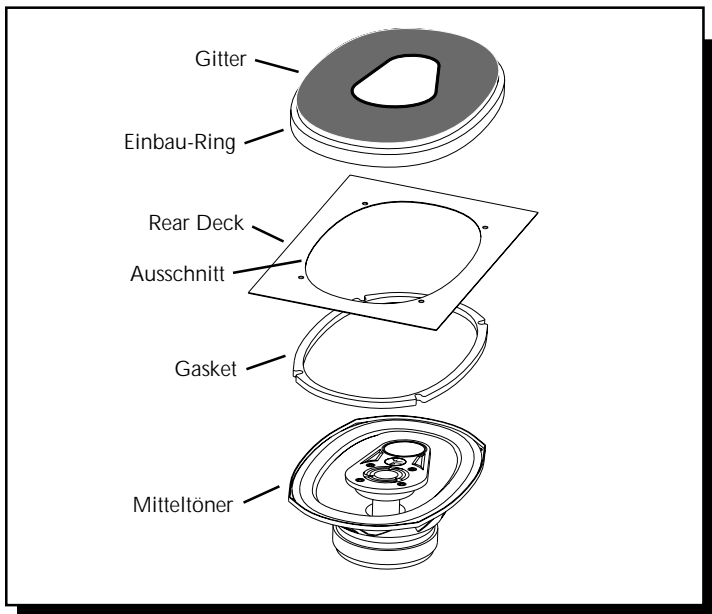
EINBAU

Da einige Vollbereichslautsprecher als direkter Ersatz, für die vom Hersteller mitgelieferten Lautsprecher dienen, treffen einige Punkte dieser Bedienungsanleitung evtl auf Sie nicht zu. Bei Rückfragen wenden Sie sich bitte an Ihren Rockford Händler.

1. Legen Sie den Einbauort des Lautsprechers fest. Seien Sie sicher, daß die Lautsprecher auf beiden Seiten passen. Stellen Sie fest, ob genug Einbautiefe vorhanden ist. Beim Einbau in die Tür sollten Sie sich vergewissern, daß keine Funktion der Tür beeinträchtigt wird.
2. Sie finden unter "Specification" die richtigen Masse für den Ausschnitt.
3. Benutzen Sie en Einbauring als Schnittvorlage und markieren Sie die Löcher für die Befestigungsschrauben. Bohren Sie dann dafür die passenden Löcher.
4. Führen Sie die Lautsprecherkabel durch die Öffnung und durch den Montagerring und klemmen Sie dann den Lautsprecher den. Positiv ist mit einem farbigen Punkt markiert.
5. Montieren Sie nun den Montagerring und den Lautsprecher mit den mitgelieferten Schrauben. Pressen Sie dann das Gitter vorsichtig aber fest an.



Example of standard door installation



Example of 6" x 9" rear-deck installation

Si prega di leggere queste istruzioni per l'installazione del prodotto acquistato.

INTRODUZIONE

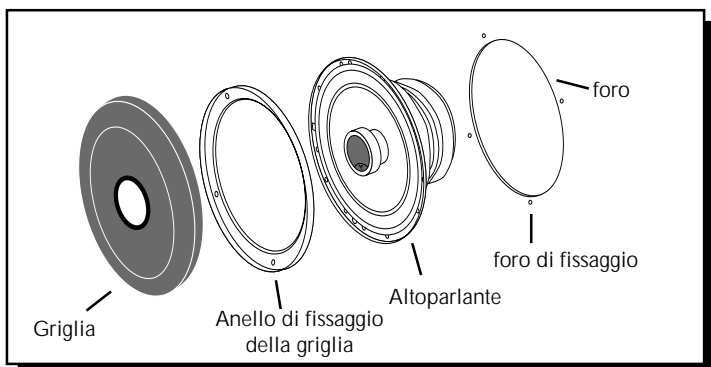
Questo manuale contiene informazioni sulla costruzione, installazione e sul funzionamento degli altoparlanti a gamma intera Rockford Fosgate. Vi raccomandiamo di conservare questo manuale per riferimento futuro.

Gli altoparlanti a gamma intera sono dei sistemi a due vie progettati per esaltare le prestazioni dei sistemi hi-fi installati dai costruttori di automobili. Dimensionati in modo da adattarsi a quasi tutte le predisposizioni delle auto, questi altoparlanti consentono il primo passo per l'ingresso nel mondo dell'hi-fi.

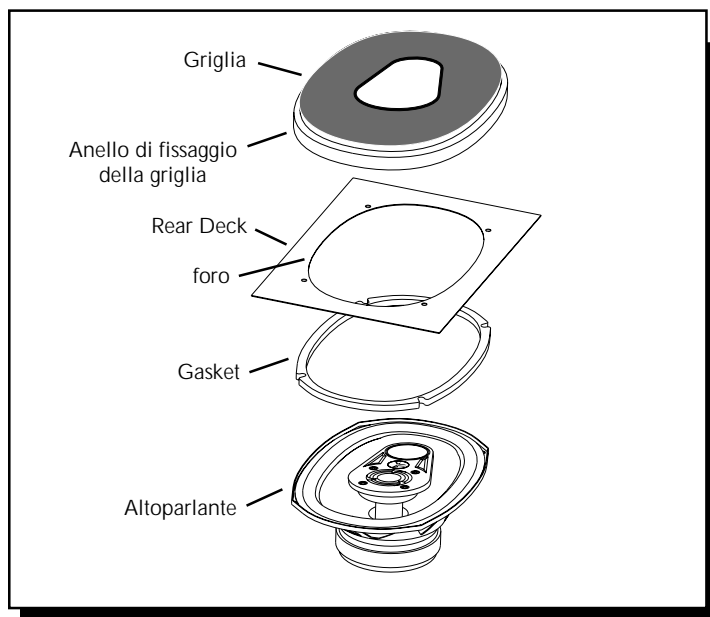
INSTALLAZIONE

Essendo gli altoparlanti a gamma estesa normalmente impiegati negli alloggiamenti previsti dai costruttori delle auto ed essendo spediti senza griglie, alcune delle indicazioni seguenti potrebbero non adattarsi al Vostro caso. Per installazioni personalizzate contattate il Vostro installatore autorizzato Rockford Fosgate.

1. Determinate la zona in cui installare gli altoparlanti. Assicuratevi che lo spazio sia sufficiente ad un corretto posizionamento. Assicuratevi anche che la profondità sia sufficiente. Se l'installazione avviene in una porta, controllate che tutte le parti meccaniche (meccanismi dei vetri e chiusure centralizzate) possano funzionare nell'intero loro arco operativo.
2. Fate riferimento alla tabella con le specifiche tecniche per determinare il diametro del foro da praticare.
3. Impiegate l'anello in plastica di supporto della griglia come dima per il posizionamento dei fori di fissaggio. Praticate fori da 3,5 mm.
4. Passate i cavi attraverso il foro e l'anello in plastica della griglia e collegateli all'altoparlante. Controllate la polarità (il positivo sull'altoparlante è indicato da un pallino).
5. Accostate l'anello e l'altoparlante al foro e, impiegando le viti a dotazione, fissate il tutto. Inserite la griglia al proprio posto e premetela con delicatezza, ma fermamente alla propria posizione.



Example of standard door installation



Example of 6" x 9" rear-deck installation

ITALIANO

**Get maximum performance by
surfing for the ultimate
Punch system designs at:
www.rockfordfosgate.com**

MADE IN CHINA

This product is designed and developed in the USA by a dedicated group of American workers. However, due to the global nature of manufacturing facilities and the loudspeaker parts industry in general, some parts may be manufactured in other countries.

Rockford Fosgate

Rockford Corporation
546 South Rockford Drive
Tempe, Arizona 85281 U.S.A.
In U.S.A., (480) 967-3565
In Europe, Fax (49) 8503-934014
In Japan, Fax (81) 559-79-1265

LIT10582
8/99 E.W.R.

Free Manuals Download Website

<http://myh66.com>

<http://usermanuals.us>

<http://www.somanuals.com>

<http://www.4manuals.cc>

<http://www.manual-lib.com>

<http://www.404manual.com>

<http://www.luxmanual.com>

<http://aubethermostatmanual.com>

Golf course search by state

<http://golfingnear.com>

Email search by domain

<http://emailbydomain.com>

Auto manuals search

<http://auto.somanuals.com>

TV manuals search

<http://tv.somanuals.com>