

Roland®

SuperNATURAL Expansion Board

ARX-02

ELECTRIC PIANO

Owner's Manual

取扱説明書

SuperNATURAL

Roland®

SuperNATURAL Expansion Board

ARX-02

ELECTRIC PIANO

Owner's Manual

Before using this product, carefully read the sections entitled: "USING THE UNIT SAFELY" and "IMPORTANT NOTES" (p. 4; p. 6). These sections provide important information concerning the proper operation of the product. Additionally, in order to feel assured that you have gained a good grasp of every feature provided by your new product, Owner's Manual should be read in its entirety. The manual should be saved and kept on hand as a convenient reference.

Copyright © 2008 ROLAND CORPORATION



All rights reserved. No part of this publication may be reproduced in any form without the written permission of ROLAND CORPORATION.

Download from Www.Somanuals.com. All Manuals Search And Download.







USING THE UNIT SAFELY

INSTRUCTIONS FOR THE PREVENTION OF FIRE, ELECTRIC SHOCK, OR INJURY TO PERSONS

About  WARNING and  CAUTION Notices

 WARNING	Used for instructions intended to alert the user to the risk of death or severe injury should the unit be used improperly.
 CAUTION	Used for instructions intended to alert the user to the risk of injury or material damage should the unit be used improperly. * Material damage refers to damage or other adverse effects caused with respect to the home and all its furnishings, as well to domestic animals or pets.

About the Symbols

	The  symbol alerts the user to important instructions or warnings. The specific meaning of the symbol is determined by the design contained within the triangle. In the case of the symbol at left, it is used for general cautions, warnings, or alerts to danger.
	The  symbol alerts the user to items that must never be carried out (are forbidden). The specific thing that must not be done is indicated by the design contained within the circle. In the case of the symbol at left, it means that the unit must never be disassembled.
	The  symbol alerts the user to things that must be carried out. The specific thing that must be done is indicated by the design contained within the circle. In the case of the symbol at left, it means that the power-cord plug must be unplugged from the outlet.

----- **ALWAYS OBSERVE THE FOLLOWING** -----

WARNING

- Do not open or perform any internal modifications on the product.



- Do not open or perform any internal modifications on the product. (The only exception would be where this manual provides specific instructions which should be followed in order to put in place user-installable options; see p. 8.)



- Do not attempt to repair the product, or replace parts within it (except when this manual provides specific instructions directing you to do so). Refer all servicing to your retailer, the nearest Roland Service Center, or an authorized Roland distributor, as listed on the "Information" page.



WARNING

- Never use or store the product in places that are:
 - Subject to temperature extremes (e.g., direct sunlight in an enclosed vehicle, near a heating duct, on top of heat-generating equipment); or are
 - Damp (e.g., baths, washrooms, on wet floors); or are
 - Humid; or are
 - Exposed to rain; or are
 - Dusty; or are
 - Subject to high levels of vibration.



- In households with small children, an adult should provide supervision until the child is capable of following all the rules essential for the safe operation of the product.



WARNING

- Protect the product from strong impact. (Do not drop it!)



- Before installing the ARX-02, you must first always turn off the unit (Fantom-G6/G7/G8) and unplug its power cord.



CAUTION

- Install the circuit board only into the specified unit (Fantom-G6/G7/G8). Remove only the specified screws during the installation.



IMPORTANT NOTES

When you purchase the ARX-02 SuperNATURAL Expansion Board from an authorized Roland dealer, the included sounds and samples are licensed, not sold, to you by Roland Corporation, for commercial use in music production, public performance, broadcast, etc.

You may use any of the included phrases and/or samples in a commercial or non-commercial recording without paying any additional license fees. However, you must strictly adhere to the following crediting guidelines on any music recording that utilize material from ARX-02.

Reproduction or duplication of this collection or any of the sound recording contained in the ARX-02, either as they exist on this expansion board or by any means of reformatting, mixing, filtering, re-synthesizing, processing or otherwise

editing for use in another product or for re-sale, is strictly prohibited without the express written consent of Roland. All unauthorized giving, trading, lending, renting, re-issue, redistribution or re-sale of the sounds included in the ARX-02 are expressly prohibited.

In Plain English: Be creative in your application of the ARX-02 sounds, and keep this library for your use only. DO NOT COPY IT.

Roland constantly monitors other Soundware releases to check for copyright infringements, and will prosecute all piracy and copyright violations to the fullest extent of the law.

THIS LIBRARY IS GUARANTEED TO BE 100% COPYRIGHT CLEAN.

Placement

- This device may interfere with radio and television reception. Do not use this device in the vicinity of such receivers.

Additional Precautions

- To avoid disturbing your neighbors, try to keep the product's volume at reasonable levels (especially when it is late at night).
- When you need to transport the product, package it in the box (including padding) that it came in, if possible. Otherwise, you will need to use equivalent packaging materials.
- * In the interest of product improvement, the specifications and/or appearance of this product are subject to change without prior notice.



Contents

USING THE UNIT SAFELY	4	Setting of Patch	20
IMPORTANT NOTES	6	The Basic Screen	20
Installing the Expansion Board in Your Product ...	8	Selecting a patch	21
Installation in Your Product.....	8	Saving a patch (on the Fantom-G)	21
Confirmation After Installation	11	Selecting a Type (Type/Level Screen)	22
To Remove the Board from the Product	12	Adjusting the Sound (Pickup/Bell Screen)	24
Installation de la carte d'expansion dans un appareil.	13	Selecting an Effect (MFX Screen)	26
Installer la carte dans un appareil	13	MFX Switch	26
Retirer la carte de l'appareil.....	16	MFX Types	26
Introduction	17	Selecting the Type of Pre Amp (Pre Amp Screen)	32
Main Features	17	Pre Amp Switch	32
ARX Series SuperNATURAL Expansion Boards	17	Pre Amp Types	32
Roland SuperNATURAL Technology	17	Selecting the Type of Speaker (Speaker Screen)	35
ARX-02 ELECTRIC PIANO	17	Initializing a Patch (Utility Screen)	35
The Structure of ARX-02 ELECTRIC PIANO	18	Specifications	37
		Index	38

Installing the Expansion Board in Your Product

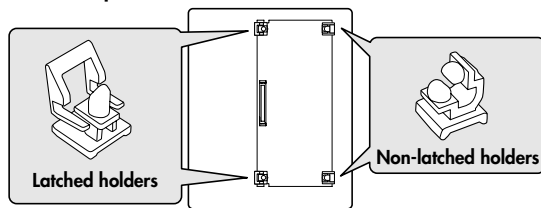
Cautions when installing

- Before you install this expansion board (hereafter referred to as “the board”), you should carefully read the procedure for installing expansion boards given in the owner’s manual of the product in which you’re installing it.
- To avoid the risk of damage to internal components that can be caused by static electricity, please carefully observe the following whenever you handle the board.
 - Before you touch the board, always first grasp a metal object (such as a water pipe), so you are sure that any static electricity you might have been carrying has been discharged.
 - When handling the board, grasp it only by its edges. Avoid touching any of the electronic components or connectors.
 - Save the bag in which the board was originally shipped, and put the board back into it whenever you need to store or transport it.
- Do not touch any of the printed circuit pathways or connection terminals.
- Never use excessive force when installing a circuit board. If it doesn’t fit properly on the first attempt, remove the board and try again.
- When you’ve finished installing the expansion board, follow the steps described in the owner’s manual of your device to verify that the board was installed correctly.

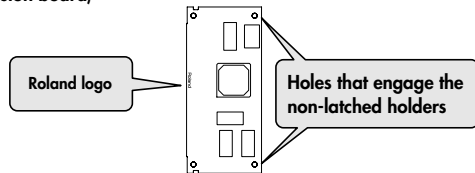
Installation in Your Product

1. As described in your product’s owner’s manual, expose the slot in which the expansion board is to be installed.
2. Orient the board with the slot of your product as shown in the illustration.

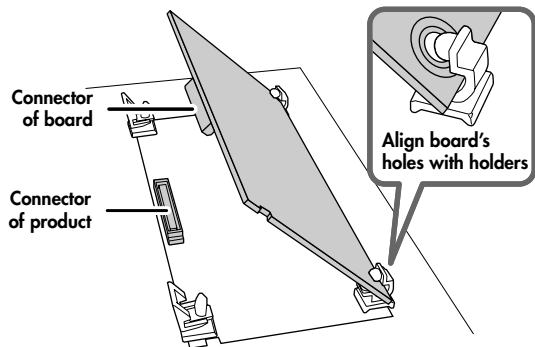
Slot of the product



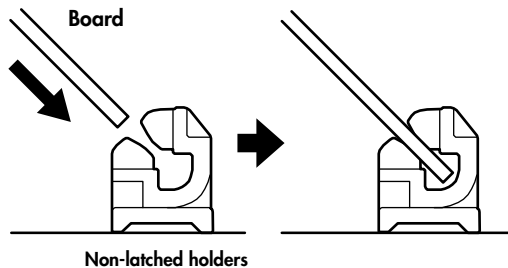
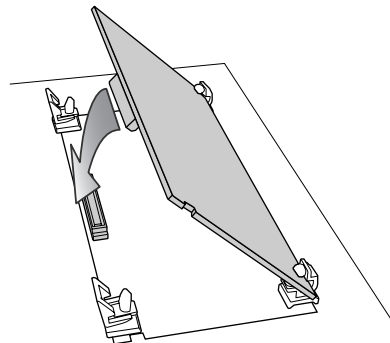
Board (expansion board)



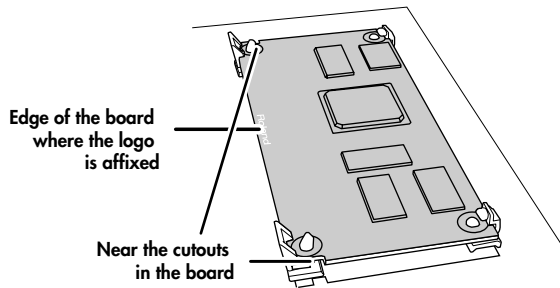
3. Insert the board into the product's non-latched board holders until you hear a click.



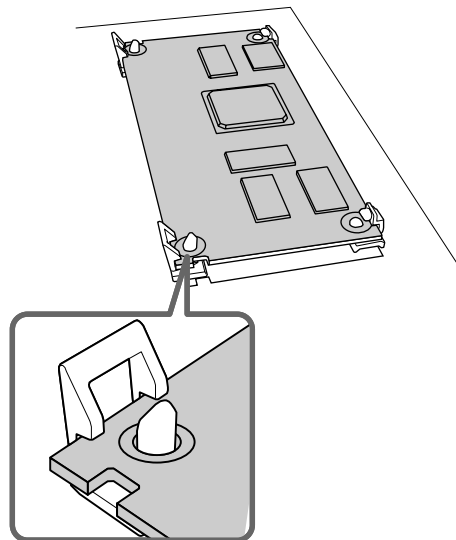
4. Gently lower the board into place.



5. From above, press down on the board at the three locations indicated in the illustration until the latched board holders lock into place.



6. Verify that the latched board holders are locked.



7. Return the expansion board installation slot to its original state.

Confirmation After Installation

After you've finished installing the expansion board, you will need to perform the following procedure to confirm the installation. This installation procedure needs to be performed only the first time you power up your device after installing the expansion board.

1. **Power up your device as described in its owner's manual.**
2. **If the expansion board was installed correctly, an installation confirmation screen will appear. Press the [F8 (Execute)] button to begin installation.**



* The screen shown here is for when the board is installed in the Fantom-G.

NOTE

If the installation confirmation screen does not appear the first time you power up after installing the expansion board, it is likely that the board was not installed correctly. Check once again to make sure that the board is correctly installed.

NOTE

It may take one to five minutes before installation is finished. Never turn off the power during this installation process.

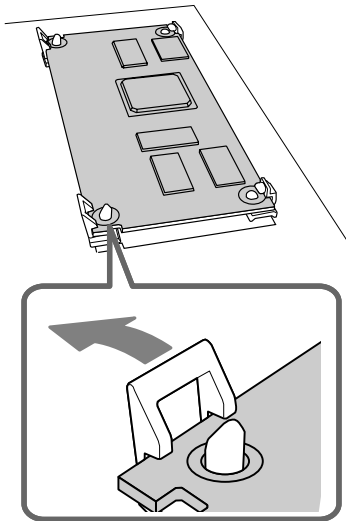
3. **When you see the Power Off screen indicating that installation is finished, switch your device's power off, then on again as described in its owner's manual.**



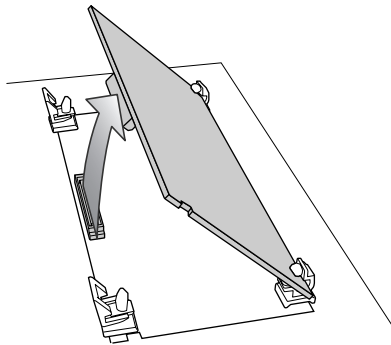
This completes the expansion board installation process.

To Remove the Board from the Product

1. As described in your product's owner's manual, expose the slot in which the expansion board was installed.
2. Unlatch the latched board holders.



3. Verify that the two latched board holders are unlocked, then gently pull up the board and disconnect the connector.



4. Disengage the board from the non-latched board holders, and remove the board.

Installation de la carte d'expansion dans un appareil

French language for Canadian Safety Standard

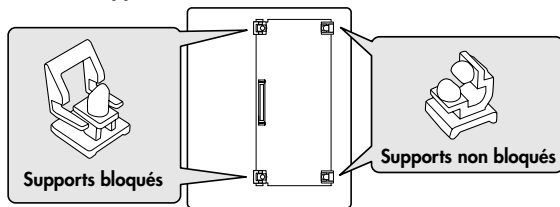
Mises en garde relatives à l'installation

- Avant d'installer cette carte d'expansion (la carte), il faut lire attentivement la procédure d'installation des cartes d'expansion décrite dans le guide d'utilisation de l'appareil dans lequel la carte sera installée.
- Veuillez suivre attentivement les instructions suivantes quand vous manipulez la carte afin d'éviter tout risque d'endommagement des pièces internes par l'électricité statique.
 - Toujours toucher un objet métallique relié à la terre (comme un tuyau par exemple) avant de manipuler la carte pour vous décharger de l'électricité statique que vous auriez pu accumuler.
 - Lorsque vous manipulez la carte, la tenir par les côtés. Évitez de toucher aux composants ou aux connecteurs.
 - Conservez le sachet d'origine dans lequel était la carte lors de l'envoi et remettez la carte dedans si vous devez la ranger ou la transporter.
- Ne pas toucher aux circuits imprimés ou aux connecteurs.
- Ne jamais forcer lors de l'installation de la carte de circuits imprimés. Si la carte s'ajuste mal au premier essai, enlevez la carte et recommencez l'installation.
- Une fois la carte installée, il faut suivre la procédure décrite dans le guide d'utilisation pour vérifier que la carte est installée correctement.

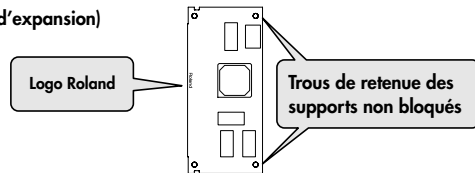
Installer la carte dans un appareil

1. Suivre les instructions données dans le guide d'utilisation de l'appareil pour dégager la fente où la carte d'expansion doit être installée.
2. Orienter la carte de façon à ce qu'elle s'aligne avec la fente de l'appareil, comme le montre l'illustration.

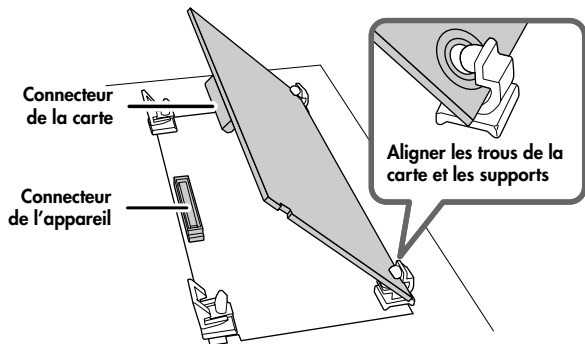
Fente de l'appareil



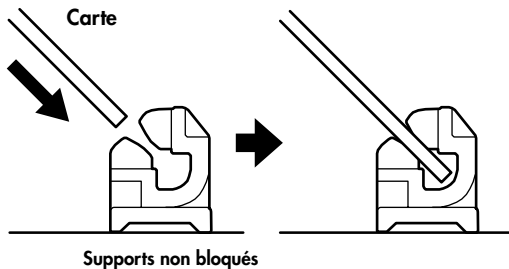
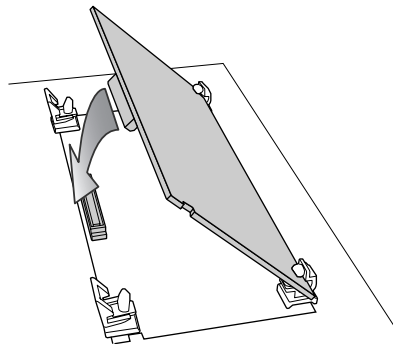
Carte (carte d'expansion)



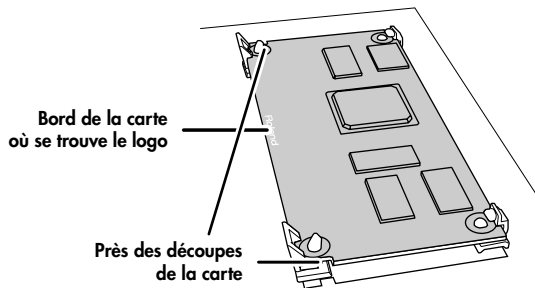
3. Insérer la carte dans les supports non bloqués jusqu'à ce qu'un clic se fasse entendre.



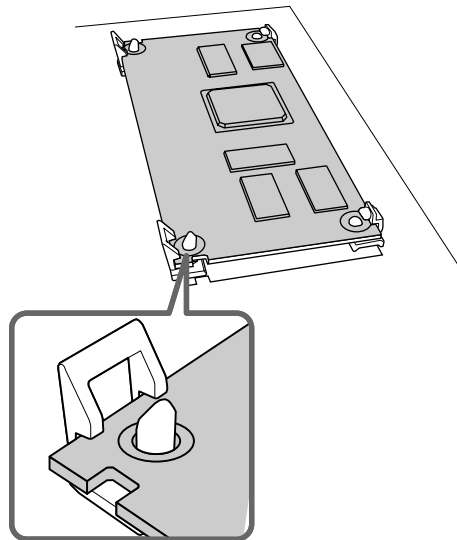
4. Abaisser la carte délicatement.



5. Appuyer sur la carte aux trois points indiqués sur l'illustration jusqu'à ce que les supports se bloquent en place.



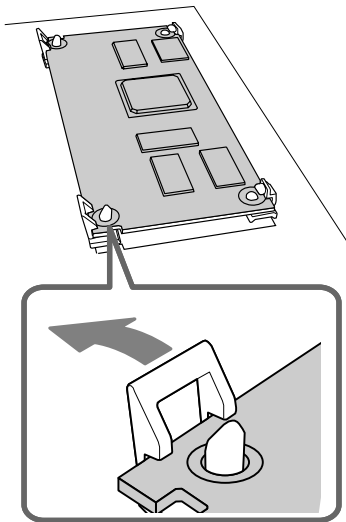
6. S'assurer que les supports de carte sont bien bloqués.



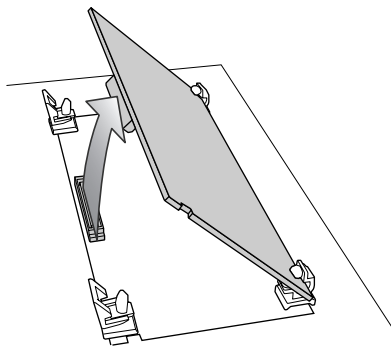
7. Suivre les instructions données dans le guide d'utilisation et vérifier que la carte d'expansion est installée correctement.

Retirer la carte de l'appareil

1. Suivre les instructions données dans le guide d'utilisation de l'appareil pour dégager la fente où la carte d'expansion a été installée.
2. Débloquer les supports de carte.



3. Vérifier que les deux supports de carte sont débloqués puis tirer délicatement sur la carte et déconnecter le connecteur.



4. Retirer la carte des supports débloqués, et la retirer ensuite complètement.

Introduction

Main Features

ARX Series SuperNATURAL Expansion Boards

The ARX series SuperNATURAL expansion boards represent a further evolution for Roland's line of expansion solutions, which began with the SR-JV80 series and SRX series—they are a completely new type of expansion board. SuperNATURAL technology delivers natural, richly expressive sounds and effects along with a dedicated graphic user interface, all adding up to a comprehensive application environment that allows an unprecedented degree of expressive playability and customization.

Roland SuperNATURAL Technology

SuperNATURAL

SuperNATURAL is Roland's breakthrough sound-generating technology that enables a new level of realism and expression. SuperNATURAL reproduces the delicate, organic tonal changes and playing nuances of acoustic and electric musical instruments.

ARX-02 ELECTRIC PIANO

Functions for detailed and intuitive customization

The ARX-02 uses SuperNATURAL technology to faithfully reproduce the sound-producing mechanism and tonal characteristics of an electric piano. You'll be able to enjoy performing electric piano sounds with an unprecedented degree of realism.

Customization allows you to change not only the type of electric piano model, but also details such as the distance between the tone bars and pickups, the angle of the tone bars, the character of the bell, and tonal differences resulting from the condition of the instrument. You'll be able to create the exact electric piano sounds you want, in the same way as a specialist electric piano technician.

Electric piano sounds with SuperNATURAL technology for the ultimate in expressive feel

The ARX-02 provides five amp models that are tuned for electric piano. These allow variations of volume dynamics to create infinite gradations of the tone and distortion that are characteristic of the electric piano, in ways that would be difficult for tone-generation methods based on sampled waveforms. You'll have the same detailed and dynamic performance control as on a real electric piano.

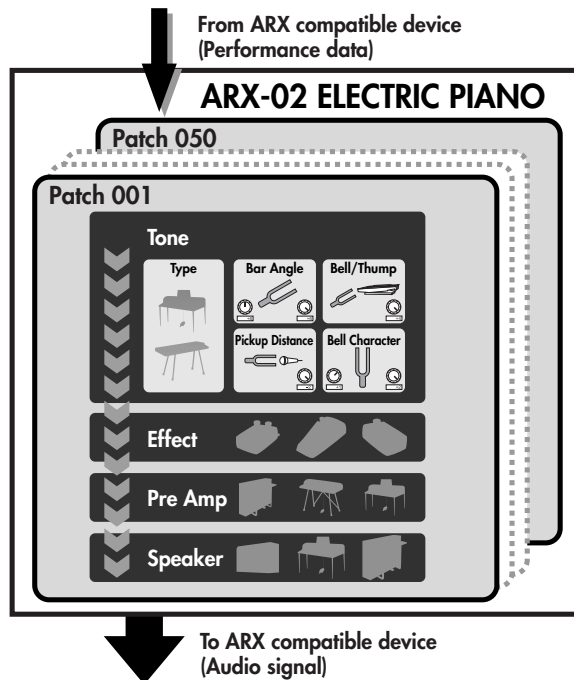
Numerous multi-effects suitable for an electric piano (such as phaser and chorus) are also provided, allowing you to create a wide variety of electric piano sounds.

The Structure of ARX-02 ELECTRIC PIANO

Basic structure

The ARX series SuperNATURAL expansion boards receive performance data and control data from a host instrument compatible with the ARX series, and send audio signals to the host instrument.

- * The ARX series supports up to sixteen parts, but this product is designed with only one part.
- * When this product is installed to the Fantom-G, you can apply effects to its output such as reverb that are inside the Fantom-G.
- * Since this product realizes a wide range of editing, depending on the playback device that you use and the settings of the parameters of this product, symptoms such as distorting and cracking sounds may occur. In this case, please do the following.
 - Make the parameters that are related to the level of this product to a smaller value.
 - Make the output level of the device that this product is installed smaller.
 - Lower the volume of the playback device.
- * This product does not correspond to the following parameters of the Fantom-G. When this product is installed to the Fantom-G, the following parameters will be ignored if they are edited.
 - Part Output Level
 - Part EFX1 Send Level
 - Part EFX2 Send Level



Sound generator section

Sound generation on the ARX-02 involves four stages: Tone (Type, Pickup/Bell), MFX, Pre Amp, and Speaker.

The Tone stage specifies mainly the settings of the electric piano itself, such as differences due to the type or model of the electric piano, and the way in which the condition of the instrument affects the sound.

The MFX stage lets you apply various effects.

The Pre Amp stage lets you make pre-amp settings. Since it is independent of the Tone stage, you can also create combinations that do not exist in reality.

The Speaker stage let you make speaker settings.

Patches

The sound generator settings can be saved as "patches."

The ARX-02 Electric Piano contains fifty patches.

If the ARX-02 is installed in a Fantom-G, this patch data is saved in the Fantom-G Project.

Setting of Patch

About this manual

- The screen images used in this manual are taken from a Fantom-G with the ARX-02 installed. The various procedures described also assume that you are using the ARX-02 installed in a Fantom-G.
- For details on how to move the cursor or edit a value, refer to the owner's manual for the device in which you've actually installed the ARX-02.

The Basic Screen



The basic screen shows the PATCH NAME, as well as the main parameters of the patch.

Parameter	Description	Page
Condition	Specifies the condition of the electric piano.	p. 22
Pickup Level	Volume of the electric piano tone.	p. 22
Amp Level	Output Level of the "Pre Amp."	p. 32
MFX Switch	Turns MFX on/off.	p. 26
Pre Amp Switch	Turns Pre Amp on/off.	p. 32

* For details on the parameters in MFX section, refer to **"Selecting an Effect (MFX Screen)"** (p. 26)

* For details on the parameters in Pre Amp section, refer to **"Selecting the Type of Pre Amp (Pre Amp Screen)"** (p. 32)

Selecting a patch

Move the cursor to PATCH NAME and change the value to select a patch (001–050).

Saving a patch (on the Fantom-G)

A patch you've created is temporary; it will be lost if you select a different patch. If you want to save the patch you've edited, proceed as follows.

1. Press the [WRITE] button on the Fantom-G.
2. Assign a name to the patch.
For details on how to assign a name, refer to the Fantom-G owner's manual.



3. When you've finished assigning the name, press the [F8 (OK)] button.
4. Select a patch number, and press the [F8 (WRITE)] button.
5. When the confirmation screen appears, press the [F7 (OK)] button to save the patch.

Selecting a Type (Type/Level Screen)



In the Type/Level screen you can select the type, condition and character of the electric piano.

Parameter	Value	Description
Tone Type	TINE EP	This is an Electric Piano that widely used in the '70s. It is a standard sound that was loved by jazz and fusion players, and continues to have numerous fans to this day. This sound is characterized by a belllike attack and a mild tone, and is indispensable in today's styles, such as smooth jazz and acid jazz.
	REED EP	This is an Electric Piano that made its appearance in the '60s and was widely used in rock and R&B. It has a distinctive dynamism, with gentle pianissimo sounds and strongly played notes that are reminiscent of resonance sounds on a synthesizer. This Electric Piano continues to be used by numerous musicians today.
	SA EP1	This is the E.Piano 1 sound of the Roland RD-1000, which was released in 1986.
	SA EP2	This is the E.Piano 2 sound of the RD-1000.
	REED BELL	This is a new type of Electric Piano, combining the characteristics of a TINE EP and a REED EP.
	TINE EP2	This is a new type of Electric Piano. It is a variation of the TINE EP.
	FM TINE	
	REED EP2	This is a new type of Electric Piano. It is a variation of the REED EP.
Condition	1-5	Specifies the condition of the Electric Piano that was selected in "Tone Type."
Pickup Level	0-127	This adjusts the volume of the Electric Piano tone.

Adjusting the Damper Noise (Damper Noise)

This adjusts the damper noise (the noise heard when you press the damper pedal to release the tone bars).

Parameter	Value	Description
Damper Noise	-10-0-+10	Increasing this value will make the damper noise louder.

* Depending on the selected **Tone Type** (p. 22), this may have no effect.

Adjusting the Key-off Sound (Key Off Resonance)

This adjusts resonances such as the key-off sound (the faint sound heard when you release a key).

Parameter	Value	Description
Key Off Resonance	-10-0-+10	Higher values will produce a louder key-off sound. At a setting of -10 there will be no key-off sound at all.

* Depending on the selected **Tone Type** (p. 22), this may have no effect.

Adjusting the Hum Noise (HUM Noise)

This adjusts the amount of hum and other noise that leaks into the pickups.

Electric Pianos were susceptible to various types of noise, and this noise would sometimes be output along with the sounds of the performance. Depending on the effect settings, such noises can produce an authentic, lively atmosphere.

Parameter	Value	Description
HUM Noise	-10-0-+10	Adjusting this value from 0 toward the negative side will produce a clearer sound, while adjusting it toward the positive side will produce a dirty sound. At a setting of -10 there will be no hum at all.

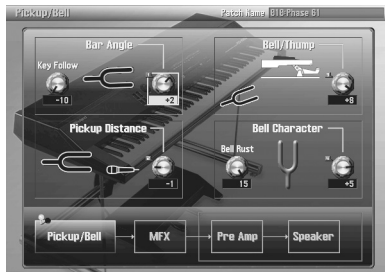
* Depending on the selected **Tone Type** (p. 22), this may have no effect.

Changing the Timing of Sounds in Response to the Velocity (Hammer Response)

This sets the interval from the time the key is played to when the sound is produced.

Parameter	Value	Description
Hammer Response	-64-0-+63	As the value is decreased, the timing of the sound is delayed more when more force is used to play the keys. As the value is increased, the timing of the sound is delayed more when less force is used to play the keys.

Adjusting the Sound (Pickup/Bell Screen)



In the Pickup/Bell screen you can adjust the sound of electric piano.

Adjusting the Thickness of the Sound (Bar Angle)

The typical Electric Piano produces sound when a hammer strikes a metal rod called the tine with tone bar, whose vibrations are detected by a pickup. On this type of piano, the tonal character can be adjusted by changing the angle of the tone bars and pickups.

Equivalent tonal changes can also be produced for Electric Pianos that don't use tone bars.

Parameter	Value	Description
Key Follow	-10-0-+10	Changes the Bar Angle effect relative to the key. Higher settings will produce more change. Positive (+) settings will increase the Bar Angle effect when higher keys are pressed. Negative (-) settings will decrease the Bar Angle effect when higher keys are pressed.
Bar Angle	-10-0-+10	Higher settings will emphasize the fundamental, producing a thicker sound.

Adjusting the Character of the Attack (Bell/Thump)

This adjusts the balance between two components of the attack; the Bell component and the Thump produced by the hammer.

Parameter	Value	Description
Bell/Thump	-10-0-+10	Adjusting this value from 0 toward the negative side will emphasize the bell sound, while adjusting it toward the positive side will emphasize the hammer sound.

Adjusting the Nuances of the Sound (Pickup Distance)

The typical Electric Piano uses pickups to convert the vibrations of the tone bars into sound. By adjusting this parameter, you can obtain the effect of changing the distance between the tone bars and the pickups.

Equivalent tonal changes can also be produced for Electric Pianos that don't use tone bars.

Parameter	Value	Description
Pickup Distance	-2-0+2	Lowering this value will move the tone bars and pickups farther apart. This makes it easier for you to produce varied dynamics. Increasing this value will produce a more powerful sound.

Adjusting the Character of the Bell (Bell Character)

This adjusts the tonal character of the bell sound included in the attack.

Parameter	Value	Description
Bell Rust	0-15	Increasing this value will reduce highfrequency content of the bell sound.
Bell Character	-10-0+10	Adjusting this value from 0 toward the negative side will produce a heavier character, while adjusting it toward the positive side will produce a lighter character.

Selecting an Effect (MFX Screen)



You can apply effects that are tuned specifically for the Electric Piano.

The available parameters will depend on the effect you select.

MFX Switch

Parameter	Value	Description
MFX Switch	OFF, ON	Turns MFX on/off.

MFX Types

* For details on the “note” that can be selected for some parameters, refer to “About Note” (p. 36)

MFX 00: THRU

No effect will be applied.

MFX 01: EQUALIZER

Parameter	Value	Description
Low Freq	200, 400 Hz	Frequency of the low range.
Mid1 Freq	200–8000 Hz	Frequency of Middle Range 1.
Mid2 Freq	200–8000 Hz	Frequency of Middle Range 2.
High Freq	2000, 4000, 8000 Hz	Frequency of the high range.
Low Gain	-15+15 dB	Gain of the low frequency range.
Mid1 Gain	-15+15 dB	Gain of Middle Range 1.
Mid2 Gain	-15+15 dB	Gain of Middle Range 2.
High Gain	-15+15 dB	Gain of the high frequency range.
Mid1 Q	0.5, 1.0, 2.0, 4.0, 8.0	Width of Middle Range 1 Select a higher value to narrow Middle Range 1.
Mid2 Q	0.5, 1.0, 2.0, 4.0, 8.0	Width of Middle Range 2 Select a higher value to narrow Middle Range 2.
Level	0–127	Output level

MFx 02: SUPER FILTER

Parameter	Value	Description
Type	LPF, BPF, HPF, NOTCH	Filter type Frequency range that will pass through each filter LPF : frequencies below the cutoff BPF : frequencies in the region of the cutoff HPF : frequencies above the cutoff NOTCH : frequencies other than the region of the cutoff
Slope	-12, -24, -36 dB	Amount of attenuation per octave -12 dB : gentle -24 dB : steep -36 dB : extremely steep
Cutoff	0–127	Cutoff frequency of the filter Increasing this value will raise the cutoff frequency.
Resonance	0–127	Filter resonance level Increasing this value will emphasize the region near the cutoff frequency.
Gain	0→12 dB	Amount of boost for the filter output
Mod Sw	OFF, ON	On/off switch for cyclic change
Modulation Wave	TRI, SQR, SIN, SAW1, SAW2	How the cutoff frequency will be modulated TRI : triangle wave SQR : square wave SIN : sine wave SAW1 : sawtooth wave (upward) SAW2 : sawtooth wave (downward)
Sync	OFF, ON	When this is set to ON, the effect is synchronized with the tempo. See “About Note” (p. 36).
Rate	0.05– 10.00 Hz, note	Frequency of modulation
Depth	0 –127	Depth of modulation

Parameter	Value	Description
Attack	0–127	Speed at which the cutoff frequency will change This is effective if Modulation Wave is SQR , SAW1 , or SAW2 .
Level	0–127	Output level

MFx 03: CHORUS

Parameter	Value	Description
Mode	1-PHASE, 2-PHASE, 3-PHASE, 6-PHASE	Number of chorus stages.
Pre Delay	0.0–100 ms	Adjusts the delay time from the direct sound until the chorus sound is heard.
Sync	OFF, ON	When this is set to ON, the effect is synchronized with the tempo. See “About Note” (p. 36).
Rate	0.05– 10.00 Hz, note	Frequency of modulation
Depth	0–127	Depth of modulation
Phase	0–180 deg	Spatial spread of the sound
Balance	D100:0W– D0:100W	Volume balance between the direct sound (D) and the chorus sound (W)
Level	0–127	Output Level

MFX 04: PHASER1

Parameter	Value	Description
Resonance	0-127	Amount of feedback
Sync	OFF, ON	When this is set to ON, the effect is synchronized with the tempo. See "About Note" (p. 36).
Rate	0.05- 10.00 Hz, note	Frequency of modulation
Depth	0-127	Depth of modulation
Low Gain	-15+15dB	Boost or cut in the low end
High Gain	-15+15dB	Boost or cut in the high end
Level	0-127	Output Level

MFX 05: PHASER2

Parameter	Value	Description
Mode	4-STAGE, 8-STAGE, 12-STAGE	Number of stages in the phaser
Manual	0-127	Adjusts the basic frequency from which the sound will be modulated.
Resonance	0.127	Amount of feedback
Feedback	-.98+98 %	Adjusts the proportion of the phaser sound that is fed back into the effect. Negative (-) settings will invert the phase.
Mix	0-127	Level of the phase-shifted sound
Sync	OFF, ON	When this is set to ON, the effect is synchronized with the tempo. See "About Note" (p. 36).
Rate	0.05- 10.00 Hz, note	Frequency of modulation
Depth	0-127	Depth of modulation
Polarity	INVERSE, SYNCHRO	Selects whether the left and right phase of the modulation will be the same or the opposite. INVERSE: The left and right phase will be opposite. When using a mono source, this spreads the sound. SYNCHRO: The left and right phase will be the same. Select this when inputting a stereo source.
Low Gain	-15+15 dB	Gain of the low range
High Gain	-15+15 dB	Gain of the high range
Level	0-127	Output Level

MFX 06: FLANGER

Parameter	Value	Description
Pre Delay	0.0–100 ms	Adjusts the delay time from the direct sound until the flanger sound is heard.
Sync	OFF, ON	When this is set to ON, the effect is synchronized with the tempo. See “ About Note ” (p. 36).
Rate	0.05–10.00 Hz, note	Frequency of modulation
Depth	0–127	Depth of modulation
Phase	0–180 deg	Spatial spread of the sound
Feedback	-98–+98 %	Adjusts the proportion of the flanger sound that is fed back into the effect. Negative (-) settings will invert the phase.
Low Gain	-15–+15 dB	Gain of the low range
High Gain	-15–+15 dB	Gain of the high range
Balance	D100:0W–D0:100W	Volume balance between the direct sound (D) and the flanger sound (W)
Level	0–127	Output Level

MFX 07: DELAY

Parameter	Value	Description
Sync	OFF, ON	When this is set to ON, the effect is synchronized with the tempo. See “ About Note ” (p. 36).
Delay Time	0–1300 ms, note	Delay time from when sound is input to delay until the delay sound is heard.
Acceleration	0–15	When you change the delay time, this setting specifies the time over which it will change from the current delay time to the new setting. The speed of pitch change will change together with the delay time.
Feedback	-98–+98 %	Specifies the percentage (%) of the delay sound that will be returned to the input. Positive (+) settings return the sound at the original phase, and negative (-) settings return the phase-reversed sound.
HF Damp	200–8000 Hz, BYPASS	Specifies the frequency at which to cut the high range of the delay sound returned to the input. Choose the BYPASS setting if you don't want to cut.
Low Gain	-15–+15 dB	Gain of the low range
High Gain	-15–+15 dB	Gain of the high range
Balance	D100:0W–D0:100W	Volume balance between the direct sound (D) and the delay sound (W)
Level	0–127	Output Level

MFX 08: REVERB

Parameter	Value	Description
Type	ROOM1, ROOM2, STAGE1, STAGE2, HALL1, HALL2	Type of reverb ROOM1 : short reverb with high density ROOM2 : short reverb with low density STAGE1 : reverb with greater late reverberation STAGE2 : reverb with strong early reflections HALL1 : very clear-sounding reverb HALL2 : rich reverb
Pre Delay	0.0–100 ms	Adjusts the delay time from the direct sound until the reverb sound is heard.
Time	0–127	Time length of reverberation
HF Damp	200– 8000 Hz, BYPASS	Adjusts the frequency above which the high frequency content of the reverb sound will be cut, or “damped.” If you do not want to cut the high frequencies, set this parameter to BYPASS.
Low Gain	-15+15dB	Boost or cut in the low end
High Gain	-15+15dB	Boost or cut in the high end
Balance	D100:0W– D0:100W	Volume balance between the direct sound (D) and the reverb sound (W)
Level	0–127	Output Level

MFX 09: LINE DRIVE

Parameter	Value	Description
Strength	SOFT, HARD	HARD produces stronger distortion than SOFT.
Type	1, 2	Varies the nuances of the distortion.
Drive	0–127	Degree of distortion This also affects the volume.
Low Gain	-15+15dB	Boost or cut in the low end
High Gain	-15+15dB	Boost or cut in the high end
Level	0–127	Output Level

* This reproduces the distortion that occurs when an electrical circuit is slightly overloaded.

MFX 10: COMPRESSOR

Parameter	Value	Description
Attack	0–127	This sets the time it takes until the level is compressed after the input exceeds the Threshold.
Threshold	0–127	Adjusts the volume at which compression begins
Post Gain	0+18dB	Adjusts the output gain.
Low Gain	-15+15dB	Boost or cut in the low end
High Gain	-15+15dB	Boost or cut in the high end
Level	0–127	Output Level

MFX 11: WAH

Parameter	Value	Description
Filter Type	LPF, BPF	Filter Type LPF: The wah effect will be applied over a wide frequency range. BPF: The wah effect will be applied over a narrow frequency range.
Manual	0-127	When Control Type is set to "PEDAL," you can use this parameter to modify the tonal character.
Peak	0-127	Adjusts the amount of the wah effect that will occur in the range of the center frequency. Set a higher value to narrow the range to be affected.
Sens	0-127	When Control Type is set to "TOUCH," this adjusts the sensitivity to the volume used in changing the tone.
Control Type	TOUCH, PEDAL	Effect Control Types TOUCH: The tone changes in response to changes in the volume. PEDAL: The tone changes according to the function of the Manual parameter, and controller number 4 (CC#4) of MIDI message.
Depth	0-127	Depth of modulation
Level	0-127	Output Level

MFX 12: RING MODULATOR

Parameter	Value	Description
Frequency	0-127	Adjusts the frequency at which modulation is applied.
Sens	0-127	Adjusts the amount of frequency modulation applied.
Polarity	UP, DOWN	Determines whether the frequency modulation moves towards higher frequencies (UP) or lower frequencies (DOWN).
Low Gain	-15-+15dB	Boost or cut in the low end
High Gain	-15-+15dB	Boost or cut in the high end
Balance	D100:0W- D0:100W	Volume balance between the direct sound (D) and the effect sound (W)
Level	0-127	Output Level

Selecting the Type of Pre Amp (Pre Amp Screen)



This switches the amp of the Electric Piano. By changing the combination of Electric Piano type and amp type, you can create a variety of sounds ranging from standard Electric Piano sounds to new sounds that have not been heard before.

Pre Amp Switch

Parameter	Value	Description
Pre Amp Switch	OFF, ON	Turns Pre Amp on/off

Pre Amp Types

* For details on the "note" that can be selected for some parameter, refer to **"About Note"** (p. 36)

THRU

No pre amp will be used.

OLD

This combines TINE EP(p. 22), reproducing a typical Electric Piano sound of the early '70s.

Parameter	Value	Description
Tremolo Switch	OFF, ON	Turns tremolo on/off.
Tremolo Sync	OFF, ON	When this is set to ON, the effect is synchronized with the tempo See "About Note" (p. 36).
Tremolo Rate	0.05–10.00 Hz, note	Frequency of the tremolo
Tremolo Depth	0–127	Depth of the tremolo
Tremolo Duty	-10–+10	Specifies the duty cycle of the LFO waveform used to apply tremolo. Increasing this value will increase the duty cycle of the LFO waveform for the L-channel; the duty cycle for the R-channel will decrease.
Bass	-50–+50	Amount of boost/cut for the low frequency range
Treble	-50–+50	Amount of boost/cut for the high frequency range
Level	0–127	Output Level

NEW

This combines TINE EP (p. 22), reproducing a typical Electric Piano sound of the late '70s through '80s.

Parameter	Value	Description
Tremolo Switch	OFF, ON	Turns the tremolo on/off.
Tremolo Sync	OFF, ON	When this is set to "note," the effect is synchronized with the tempo See "About Note" (p. 36).
Tremolo Rate	0.05–10.00 Hz, note	Frequency of the tremolo
Tremolo Depth	0–127	Depth of the effect
Tremolo Duty	-10→10	Specifies the duty cycle of the LFO waveform used to apply tremolo. Increasing this value will increase the duty cycle of the LFO waveform for the L-channel; the duty cycle for the R-channel will decrease.
Bass	-50→50	Amount of boost/cut for the low frequency range
Treble	-50→50	Amount of boost/cut for the high frequency range
Level	0–127	Output Level

DYNO

This amp type is a modification of OLD case or NEW case, and is marked by a bright sound and distinctive distortion that occurs when you play strongly. When used in conjunction with TINE EP (p. 22), this will reproduce the Electric Piano sounds used in numerous recordings of the early '80s.

Parameter	Value	Description
Tremolo Switch	OFF, ON	Turns the tremolo on/off.
Tremolo Sync	OFF, ON	When this is set to ON, the effect is synchronized with the tempo See "About Note" (p. 36).
Tremolo Rate	0.05–10.00 Hz, note	Frequency of the tremolo
Tremolo Depth	0–127	Depth of the tremolo
Tremolo Shape	0–127	Adjusts the tremolo waveform Values near 0 will approach a triangle wave, and values near 127 will approach a pulse wave. The effect will also change depending on the Tremolo Depth setting.
Bass Boost	0–127	Amount of boost/cut for the low frequency range
Filter Curve	0–127	Amount of boost/cut for the middle frequency range
Over Tone	0–127	Amount of boost/cut for the high frequency range
Limiter	OFF, ON	Selects whether the limiter will be applied (on) or not (off).
Level	0–127	Output Level

WURLY

This combines REED EP (p. 22), reproducing a typical Electric Piano sound of the '60s.

Parameter	Value	Description
Vibrato Switch	OFF, ON	Turns the vibrato on/off.
Vibrato Sync	OFF, ON	When this is set to ON, the effect is synchronized with the tempo See "About Note" (p. 36).
Vibrato Rate	0.05–10.00 Hz, note	Frequency of the vibrato
Vibrato Depth	0–127	Depth of the vibrato
Bass	-50+50	Amount of boost/cut for the low frequency range
Treble	-50+50	Amount of boost/cut for the high frequency range
Level	0–127	Output Level

STAGE

This simulates playing a stage piano.

Parameter	Value	Description
Tremolo Switch	OFF, ON	Turns the tremolo on/off.
Tremolo Sync	OFF, ON	When this is set to ON, the effect is synchronized with the tempo See "About Note" (p. 36).
Tremolo Rate	0.05–10.00 Hz, note	Frequency of the tremolo
Tremolo Depth	0–127	Depth of the tremolo
Tremolo Duty	-10+10	Specifies the duty cycle of the LFO waveform used to apply the tremolo. Increasing this value will increase the duty cycle of the LFO waveform for the L-channel; the duty cycle for the R-channel will decrease.
Bass	-50+50	Amount of boost/cut for the low frequency range
Treble	-50+50	Amount of boost/cut for the high frequency range
Level	0–127	Output Level

Selecting the Type of Speaker (Speaker Screen)



In the Speaker screen you can select the type of the speaker.

Parameter	Value	Description
Speaker Switch	OFF, ON	Turns speaker on/off.
Speaker Type	LINE	This is a sound via LINE OUT. No speaker used.
	OLD	Reproducing a typical Electric Piano sound of the early '70s.
	NEW	Reproducing a typical Electric Piano sound of the late '70s through '80s.
	WURLY	Reproducing a typical Electric Piano sound of the '60s.
	TWIN	This simulates playing through a guitar amp.

Initializing a Patch (Utility Screen)

In the Utility screen you can initialize patches.

This operation lets you return the settings of the current patch to their default values.

1. Select the patch that you want to initialize.
2. In the Utility screen, choose Patch Init.
3. When the confirmation screen appears, press the [F7 (OK)] button.

If you decide to cancel, press the [F8 (EXIT)] button.

- * If you've installed the ARX-02 in a Fantom-G6/G7/G8, executing a Factory Reset for the Fantom-G6/G7/G8 will reset the expansion boards to their factory-set condition.

About Note

Some parameters (such as Rate or Delay Time) can be set in terms of a note value instead of a time value.

Such parameters provide the "Sync" switch that allows you to switch between setting the parameter as a note value or as a numerical value.

If you want to set Rate (Delay Time) as a numerical value, set the Sync switch to "OFF" (unlit). If you want to set it as a note value, set the Sync switch to "ON" (lit).

Value	Description
1/64T()	Sixty-fourth-note triplet
1/64()	Sixty-fourth note
1/32T()	Thirty-second-note triplet
1/32()	Thirty-second note
1/16T()	Sixteenth-note triplet
1/32.()	Dotted thirty-second note
1/16()	Sixteenth note
1/8T()	Eighth-note triplet
1/16.()	Dotted sixteenth note
1/8()	Eighth note
1/4T()	Quarter-note triplet
1/8.()	Dotted eighth note
1/4()	Quarter note
1/2T()	Half-note triplet
1/4.()	Dotted quarter note
1/2()	Half note
1/1T()	Whole-note triplet
1/2.()	Dotted half note
1/1()	Whole note
2/1T()	Double-note triplet
1/1.()	Dotted whole note
2/1()	Double note

Specifications

ARX-02 ELECTRIC PIANO

Maximum Polyphony	64 voices (varies according to the sound generator load)
Part	1 part
User Memory	Patches: 50 (including pre-loaded Patches)
Effects	MFX: 1 system (12 types) EQUALIZER SUPER FILTER CHORUS PHASER1 PHASER2 FLANGER DELAY REVERB LINE DRIVE COMPRESSOR WAH RING MODULATOR
Customize Functions	Condition Bar Angle Pickup Distance Bell/Thump Bell Character Damper Noise Key Off Resonance HUM Noise Hammer Response Model Type Speaker Type and more
Accessories	Owner's manual Screwdriver

* In the interest of product improvement, the specifications and/or appearance of this unit are subject to change without prior notice.

Index

A

Amp Level 20

B

Bar Angle 24

Basic screen 20

Bell Character 25

Bell Rust 25

Bell/Thump 24

C

CHORUS 27

COMPRESSOR 30

Condition 20, 22

D

Damper Noise 23

DELAY 29

DYNO 33

E

EQUALIZER 26

F

FLANGER 29

FM TINE 22

H

Hammer Response 23

HUM Noise 23

K

Key Follow 24

Key Off Resonance 23

L

LINE 35

LINE DRIVE 30

M

MFX Screen 26

MFX Switch 20, 26

N

NEW 33

O

OLD 32

P

Patch

 Initialize 35

 Save 21

 Select 21

PATCH NAME 21

PHASER1 28

PHASER2 28

Pickup Distance 25

Pickup Level 20

Pickup/Bell Screen 24

Pre Amp 32

Pre Amp Screen 32

Pre Amp Switch 20, 32

R

REED BELL	22
REED EP	22
REED EP2	22
REVERB	30
RING MODULATOR	31

S

SA EP1	22
SA EP2	22
Speaker Screen	35
Speaker switch	35
STAGE	34
SUPER FILTER	27

T

THRU	26, 32
TINE EP	22
TINE EP2	22
Tone Type	22
Type/Level screen	22

U

Utility Screen	35
----------------------	----

W

WAH	31
WURLY	34



This product complies with the requirements of EMC Directive 2004/108/EC.

For EU Countries

For the USA

FEDERAL COMMUNICATIONS COMMISSION RADIO FREQUENCY INTERFERENCE STATEMENT

This equipment has been tested and found to comply with the limits for a Class B digital device, pursuant to Part 15 of the FCC Rules. These limits are designed to provide reasonable protection against harmful interference in a residential installation. This equipment generates, uses, and can radiate radio frequency energy and, if not installed and used in accordance with the instructions, may cause harmful interference to radio communications. However, there is no guarantee that interference will not occur in a particular installation. If this equipment does cause harmful interference to radio or television reception, which can be determined by turning the equipment off and on, the user is encouraged to try to correct the interference by one or more of the following measures:

- Reorient or relocate the receiving antenna.
- Increase the separation between the equipment and receiver.
- Connect the equipment into an outlet on a circuit different from that to which the receiver is connected.
- Consult the dealer or an experienced radio/TV technician for help.

This device complies with Part 15 of the FCC Rules. Operation is subject to the following two conditions:

- (1) this device may not cause harmful interference, and
- (2) this device must accept any interference received, including interference that may cause undesired operation.

Unauthorized changes or modification to this system can void the users authority to operate this equipment.
This equipment requires shielded interface cables in order to meet FCC class B Limit.

For Canada

NOTICE

This Class B digital apparatus meets all requirements of the Canadian Interference-Causing Equipment Regulations.

AVIS

Cet appareil numérique de la classe B respecte toutes les exigences du Règlement sur le matériel brouilleur du Canada.

For the USA

DECLARATION OF CONFORMITY Compliance Information Statement

Model Name : ARX-02
Type of Equipment : Expansion Board
Responsible Party : Roland Corporation U.S.
Address : 5100 S. Eastern Avenue, Los Angeles, CA 90040-2938
Telephone : (323) 890-3700

For EU Countries



UK This symbol indicates that in EU countries, this product must be collected separately from household waste, as defined in each region. Products bearing this symbol must not be discarded together with household waste.

DE Dieses Symbol bedeutet, dass dieses Produkt in EU-Ländern getrennt vom Hausmüll gesammelt werden muss gemäß den regionalen Bestimmungen. Mit diesem Symbol gekennzeichnete Produkte dürfen nicht zusammen mit den Hausmüll entsorgt werden.

FR Ce symbole indique que dans les pays de l'Union européenne, ce produit doit être collecté séparément des ordures ménagères selon les directives en vigueur dans chacun de ces pays. Les produits portant ce symbole ne doivent pas être mis au rebut avec les ordures ménagères.

IT Questo simbolo indica che nei paesi della Comunità europea questo prodotto deve essere smaltito separatamente dai normali rifiuti domestici, secondo la legislazione in vigore in ciascun paese. I prodotti che riportano questo simbolo non devono essere smaltiti insieme ai rifiuti domestici. Ai sensi dell'art. 13 del D.Lgs. 25 luglio 2005 n. 151.

ES Este símbolo indica que en los países de la Unión Europea este producto debe recogerse aparte de los residuos domésticos, tal como está regulado en cada zona. Los productos con este símbolo no se deben depositar con los residuos domésticos.

PT Este símbolo indica que nos países da UE, a recolha deste produto deverá ser feita separadamente do lixo doméstico, de acordo com os regulamentos de cada região. Os produtos que apresentem este símbolo não deverão ser eliminados juntamente com o lixo doméstico.

NL Dit symbool geeft aan dat in landen van de EU dit product gescheiden van huishoudelijk afval moet worden aangeboden, zoals bepaald per gemeente of regio. Producten die van dit symbool zijn voorzien, mogen niet samen met huishoudelijk afval worden verwijderd.

DK Dette symbol angiver, at i EU-lande skal dette produkt opsamles adskilt fra husholdningsaffald, som defineret i hver enkelt region. Produkter med dette symbol må ikke smides ud sammen med husholdningsaffald.

NO Dette symbolet indikerer at produktet må behandles som spesialavfall i EU-land, iht. til retningslinjer for den enkelte regionen, og ikke kastes sammen med vanlig husholdningsavfall. Produkter som er merket med dette symbolet, må ikke kastes sammen med vanlig husholdningsavfall.

SE Symbolen anger att i EU-länder måste den här produkten kasseras separat från hushållsavfall, i enlighet med varje regions bestämmelser. Produkter med den här symbolen får inte kasseras tillsammans med hushållsavfall.

FI Tämä merkintä ilmaisee, että tuote on EU-maissa kerättävä erillään kotitalousjätteistä kunkin alueen voimassa olevien määräysten mukaisesti. Tällä merkinnällä varustettuja tuotteita ei saa hävittää kotitalousjätteiden mukana.

HU Ez a szimbólum azt jelenti, hogy az Európai Unióban ezt a terméket a háztartási hulladéktól elkülönítve, az adott régióban érvényes szabályozás szerint kell gyűjteni. Az ezzel a szimbóllummal ellátott termékeket nem szabad a háztartási hulladék közé dobni.

PL Symbol oznacza, że zgodnie z regulacjami w odpowiednim regionie, w krajach UE produktu nie należy wyrzucać z odpadami domowymi. Produktów opatrzonych tym symbolem nie można utylizować razem z odpadami domowymi.

CZ Tento symbol udává, že v zemích EU musí být tento výrobek sbírán odděleně od domácího odpadu, jak je určeno pro každý region. Výrobky nesoucí tento symbol se nesmí vyhazovat spolu s domácím odpadem.

SK Tento symbol vyjadruje, že v krajinách EÚ sa musí zber tohto produktu vykonávať oddelene od domového odpadu, podľa nariadení platných v konkrétnej krajine. Produkty s týmto symbolom sa nesmú vyhazovať spolu s domovým odpadom.

EE See sümbol näitab, et EL-i maades tuleb see toode olemprügist eraldi koguda, nii nagu on igas piirkonnas määratletud. Selle sümboliga märgitud tooteid ei tohi ära visata koos olmeprügiga.

LT Šis simbolis rodo, kad ES šalyse šis produktas turi būti surenkamas atskirai nuo buitinių atliekų, kaip nustatyta kiekviename regione. Šiuo simboliu paženklinoti produktai neturi būti išmetami kartu su buitiniems atliekomis.

LV Šis simbols norāda, ka ES valstīs šo produktu jāievāc atsevišķi no mājsaimniecības atkritumiem, kā noteikts katrā reģionā. Produktus ar šo simbolu nedrīkst izmest kopā ar mājsaimniecības atkritumiem.

SI Ta simbol označuje, da je treba proizvod v državah EU zbirati ločeno od gospodinskih odpadkov, tako kot je določeno v vsaki regiji. Proizvoda s tem znakom ni dovoljeno odlagati skupaj z gospodinskimi odpadki.

GR Το σύμβολο αυτό υποδηλώνει ότι στις χώρες της Ε.Ε. το συγκεκριμένο προϊόν πρέπει να συλλέγεται χωριστά από τα υπόλοιπα οικιακά απορρίμματα, σύμφωνα με όσα προβλέπονται σε κάθε περιοχή. Τα προϊόντα που φέρουν το συγκεκριμένο σύμβολο δεν πρέπει να απορρίπτονται μαζί με τα οικιακά απορρίμματα.

有关产品中所含有害物质的说明

本资料就本公司产品中所含的特定有害物质及其安全性予以说明。

本资料适用于 2007 年 3 月 1 日以后本公司所制造的产品。

环保使用期限



此标志适用于在中国国内销售的电子信息产品，表示环保使用期限的年数。所谓环保使用期限是指在自制造日起的规定期限内，产品中所含的有害物质不致引起环境污染，不会对人身、财产造成严重的不良影响。

环保使用期限仅在遵照产品使用说明书，正确使用产品的条件下才有效。
不当的使用，将会导致有害物质泄漏的危险。

产品中有毒有害物质或元素的名称及含量

部件名称	有毒有害物质或元素					
	铅(Pb)	汞(Hg)	镉(Cd)	六价铬(Cr(VI))	多溴联苯(PBB)	多溴二苯醚(PBDE)
外壳(壳体)	×	○	○	○	○	○
电子部件(印刷电路板等)	×	○	×	○	○	○
附件(电源线、交流适配器等)	×	○	○	○	○	○

○：表示该有毒有害物质在该部件所有均质材料中的含量均在 SJ/T11363-2006 标准规定的限量要求以下。

×：表示该有毒有害物质至少在该部件的某一均质材料中的含量超出 SJ/T11363-2006 标准规定的限量要求。

因根据现有的技术水平，还没有什么物质能够代替它。

Information

When you need repair service, call your nearest Roland Service Center or authorized Roland distributor in your country as shown below.

AFRICA

EGYPT

Al Fanny Trading Office
9, EBN Hagar Al Askalany
Street,
ARD El Golf, Heliopolis,
Cairo 11341, EGYPT
TEL: (022)-418-5531

REUNION

Maison FO - YAM Marcel
25 Rue Jules Hermann,
Chaudron - B79 97 491
Ste Clotilde Cedex,
REUNION ISLAND
TEL: (0262) 218-429

SOUTH AFRICA

T.O.M.S. Sound & Music
(Pty)Ltd.
2 ASTRON ROAD DENVER
JOHANNESBURG ZA 2195,
SOUTH AFRICA
TEL: (011)417 3400

Paul Bothner(PTY)Ltd.

Royal Cape Park, Unit 24
Londonderry Road, Ottery 7800
Cape Town, SOUTH AFRICA
TEL: (021) 799 4900

ASIA

CHINA

Roland Shanghai Electronics
Co.,Ltd.
5F. No.1500 Pingliang Road
Shanghai 200090, CHINA
TEL: (021) 5580-0800

Roland Shanghai Electronics
Co.,Ltd.

(BEIJING OFFICE)
10F. No.18 3 Section Anhuaxili
Chaoyang District Beijing
100011 CHINA
TEL: (010) 6426-5050

HONG KONG

Tom Lee Music Co., Ltd.
Service Division
22-32 Pun Shan Street, Tsuen
Wan, New Territories,
HONG KONG
TEL: 2415 0911

Parsons Music Ltd.

8th Floor, Railway Plaza, 39
Chatham Road South, T.S.T,
Kowloon, HONG KONG
TEL: 2333 1863

INDIA

Rivera Digitec (India) Pvt. Ltd.
411, Nirman Kendra
Mahalaxmi Flats Compound
Off. Dr. Edwin Moses Road,
Mumbai-400011, INDIA
TEL: (022) 2493 9051

INDONESIA

PT Citra IntiRama
Jl. Cideng Timur No. 15J-15O
Jakarta Pusat
INDONESIA
TEL: (021) 6324170

KOREA

Cosmos Corporation
1461-9, Seocho-Dong,
Seocho Ku, Seoul, KOREA
TEL: (02) 3486-8855

MALAYSIA

Roland Asia Pacific Sdn. Bhd.
45-1, Block C2, Jalan PJU 1/39,
Dataran Prima, 47301 Petaling
Jaya, Selangor, MALAYSIA
TEL: (03) 7805-3263

VIET NAM

Suoi Nhac Company, Ltd
370 Cach Mang Thang Tam St.
Dist.3, Ho Chi Minh City,
VIET NAM
TEL: 9316540

PHILIPPINES

G.A. Yupangco & Co. Inc.
339 Gil J. Puyat Avenue
Makati, Metro Manila 1200,
PHILIPPINES
TEL: (02) 899 9801

SINGAPORE

SWEE LEE MUSIC
COMPANY PTE. LTD.
150 Sims Drive,
SINGAPORE 387381
TEL: 6846-3676

TAIWAN

ROLAND TAIWAN
ENTERPRISE CO., LTD.
Room 5, 9fl. No. 112 Chung
Shan N.Road Sec.2, Taipei,
TAIWAN, R.O.C.
TEL: (02) 2561 3339

THAILAND

Theera Music Co., Ltd.
100-108 Soi Verg
Nakornkasem, New
Road,Sumpantawongse,
Bangkok 10100 THAILAND
TEL: (02) 224-8821

AUSTRALIA/ NEW ZEALAND

AUSTRALIA/ NEW ZEALAND

Roland Corporation
Australia Pty.,Ltd.
38 Campbell Avenue
Dee Why West. NSW 2099
AUSTRALIA

For Australia
Tel: (02) 9982 8266
For New Zealand
Tel: (09) 3098 715

CENTRAL/LATIN AMERICA

ARGENTINA

Instrumentos Musicales S.A.
Av.Santa Fe 2055
(1123) Buenos Aires
ARGENTINA
TEL: (011) 4508-2700

BARBADOS

A&B Music Supplies LTD
12 Webster Industrial Park
Wilkey, St.Michael, Barbados
TEL: (246)430-1100

BRAZIL

Roland Brasil Ltda.
Rua San Jose, 780 Sala B
Parque Industrial San Jose
Cotia - Sao Paulo - SP, BRAZIL
TEL: (011) 4615 5666

CHILE

Central Fancy II S.A.
Rut: 96.919.420-1
Natalien Cox #739, 4th Floor
Santiago - Centro, CHILE
TEL: (02) 688-9540

COLOMBIA

Centro Musical Ltda.
Cra 43 B No 25 A 41 Bodegoda 9
Medellin, Colombia
TEL: (574)3812529

COSTA RICA

JUAN Bansbach Instrumentos
Musicales
Ave.1. Calle 11, Apartado
10237,
San Jose, COSTA RICA
TEL: 258-0211

CURACAO

Zeelandia Music Center Inc.
Orionweg 30
Curacao, Netherland Antilles
TEL:(305)5926866

DOMINICAN REPUBLIC

Instrumentos Fernando Giraldez
Calle Proyecto Central No.3
Ens.La Esperilla
Santo Domingo,
Dominican Republic
TEL:(809) 683 0305

ECUADOR

Mas Musica
Rumichaca 822 y Zaruma
Guayaquil - Ecuador
TEL:(593-4)2302364

EL SALVADOR

OMNI MUSIC
75 Avenida Norte y Final
Alameda Juan Pablo II,
Edificio No.4010 San Salvador,
EL SALVADOR
TEL: 262-0788

GUATEMALA

Casa Instrumental
Calzada Roosevelt 34-01,zona 11
Ciudad de Guatemala
Guatemala
TEL:(502) 599-2888

HONDURAS

Almacén Pajaro Azul S.A. de C.V.
BO.Paz Barahona
3 Ave.11 Calle S.O
San Pedro Sula, Honduras
TEL: (504) 553-2029

MARTINIQUE

Musique & Son
Z.L.Les Mangle
97232 Le Lamantin
Martinique F.W.I.
TEL: 596 596 426860

Gigamusic SARL

10 Rte De La Folie
97200 Fort De France
Martinique F.W.I.
TEL: 596 596 715222

MEXICO

Casa Veerkamp, s.a. de c.v.
Av. Toluca No. 323, Col. Olivar
de los Padres 01780 Mexico
D.F. MEXICO
TEL: (55) 5668-6699

NICARAGUA

Bansbach Instrumentos
Musicales Nicaragua
Altamira D'Este Calle Principal
de la Farmacia 5ta.Avenida
1 Cuadra al Lago.#503
Managua, Nicaragua
TEL: (505)277-2557

PANAMA

SUPRO MUNDIAL, S.A.
Boulevard Andrews, Albrook,
Panama City, REP. DE
PANAMA
TEL: 315-0101

PARAGUAY

Distribuidora De
Instrumentos Musicales
J.E. Olear y ESQ. Manduvira
Asuncion PARAGUAY
TEL: (595) 21 492147

PERU

Andionet
Distribuciones Musicales SAC
Juan Fanning 530
Miraflores
Lima - Peru
TEL: (511) 4461388

TRINIDAD

AMR Ltd
Ground Floor
Maritime Plaza
Barataria Trinidad W.I.
TEL: (868) 638 6385

URUGUAY

Todo Musica S.A.
Francisco Acuna de Figueroa
1771
C.P.: 11.800
Montevideo, URUGUAY
TEL: (02) 924-2335

VENEZUELA

Instrumentos Musicales
Allegro,C.A.
Av.las industrias edf.Guitar
import
#7 zona Industrial de Turumo
Caracas, Venezuela
TEL: (212) 244-1122

EUROPE**AUSTRIA**

Roland Elektronische
Musikinstrumente HmbH.
Austrian Office
Eduard-Bodem-Gasse 8,
A-6020 Innsbruck, AUSTRIA
TEL: (0512) 26 44 260

**BELGIUM/FRANCE/
HOLLAND/
LUXEMBOURG**

Roland Central Europe N.V.
Houtstraat 3, B-2260, Oevel
(Westerlo) BELGIUM
TEL: (014) 575811

CROATIA

ART-CENTAR
Degenova 3.
HR - 10000 Zagreb
TEL: (1) 466 8493

CZECH REP.

CZECH REPUBLIC
DISTRIBUTOR s.r.o.
Voctárova 247/16
CZ - 180 00 PRAHA 8,
CZECH REP.
TEL: (2) 830 20270

DENMARK

Roland Scandinavia A/S
Nordhavnsvej 7, Postbox 880,
DK-2100 Copenhagen
DENMARK
TEL: 3916 6200

FINLAND

Roland Scandinavia As, Filial
Finland
Elanontie 5
FIN-01510 Vantaa, FINLAND
TEL: (019) 68 24 020

GERMANY

Roland Elektronische
Musikinstrumente HmbH.
Oststrasse 96, 22844
Norderstedt, GERMANY
TEL: (040) 52 60090

GREECE/CYPRUS

STOLLAS S.A.
Music Sound Light
155, New National Road
Patras 26442, GREECE
TEL: 2610 435400

HUNGARY

Roland East Europe Ltd.
Warehouse Area 'DEPO' Pf.83
H-2046 Torokbalint,
HUNGARY
TEL: (23) 511011

IRELAND

Roland Ireland
G2 Calmount Park, Calmount
Avenue, Dublin 12
Republic of IRELAND
TEL: (01) 4294444

ITALY

Roland Italy S. p. A.
Viale delle Industrie 8,
20020 Arese, Milano, ITALY
TEL: (02) 937-78300

NORWAY

Roland Scandinavia Avd.
Kontor Norge
Lilleakerveien 2 Postboks 95
Lilleaker N-0216 Oslo
NORWAY
TEL: 2273 0074

POLAND

ROLAND POLSKA SP. Z O.O.
Ul. Gibraltaraska 4.
PL-03 664 Warszawa
POLAND
TEL: (022) 679 4419

PORTUGAL

Roland Iberia, S.L.
Portugal Office
Cais das Pedras, 8/9-1 Dto
4050-465, Porto, PORTUGAL
TEL: 22 608 00 60

ROMANIA

FBS LINES
Piata Libertatii 1,
535500 Gheorgheni,
ROMANIA
TEL: (266) 364 609

RUSSIA

MuTek
Dorozhnaya ul.3,korp.6
117 545 Moscow, RUSSIA
TEL: (095) 981-4967

SLOVAKIA

DAN Acoustic s.r.o.
Povazska 18.
SK - 940 01 Nové Zámky
TEL: (035) 6424 330

SPAIN

Roland Iberia, S.L.
Paseo Garcia Faria, 33-35
08005 Barcelona SPAIN
TEL: 93 495 91 00

SWEDEN

Roland Scandinavia A/S
SWEDISH SALES OFFICE
Danvik Center 28, 2 tr.
S-131 30 Nacka SWEDEN
TEL: (0)8 702 00 20

SWITZERLAND

Roland (Switzerland) AG
Landstrasse 5, Postfach,
CH-4452 Itingen,
SWITZERLAND
TEL: (061) 927-8383

UKRAINE

EURHYTHMICS Ltd.
P.O.Box: 37-a
Nedecey Str. 30
UA - 89600 Mukachevo,
UKRAINE
TEL: (013131) 414-40

UNITED KINGDOM

Roland (U.K.) Ltd.
Atlantic Close, Swansea
Enterprise Park, SWANSEA
SA7 9FJ,
UNITED KINGDOM
TEL: (01792) 702701

MIDDLE EAST**BAHRAIN**

Moon Stores
No.1231&1249 Rumaytha
Building Road 3931, Manama
339 BAHRAIN
TEL: 17 813 942

IRAN

MOCO INC.
No.41 Nike St., Dr.Shariyati Av.,
Roberoye Cerahe Mirdamad
Tehran, IRAN
TEL: (021)-2285-4169

ISRAEL

Halilit P. Greenspoon & Sons
Ltd.
8 Retzif Ha'alia Hashnia St.
Tel-Aviv-Yafo ISRAEL
TEL: (03) 6823666

JORDAN

MUSIC HOUSE CO. LTD.
FREDDY FOR MUSIC
P. O. Box 922846
Amman 11192 JORDAN
TEL: (06) 5692696

KUWAIT

EASA HUSAIN AL-YOUSIFI
& SONS CO.
Al-Yousifi Service Center
P.O.Box 126 (Safat) 13002
KUWAIT
TEL: 00 965 802929

LEBANON

Chahine S.A.L.
George Zeidan St., Chahine
Bldg., Achrafieh, P.O.Box: 16-
5857
Beirut, LEBANON
TEL: (01) 20-1441

OMAN

TALENTZ CENTRE L.L.C.
Malatan House No.1
Al Noor Street, Ruwi
SULTANATE OF OMAN
TEL: 2478 3443

QATAR

Al Emadi Co. (Badie Studio &
Stores)
P.O. Box 62, Doha, QATAR
TEL: 4423-554

SAUDI ARABIA

aDawliah Universal
Electronics APL
Behind Pizza Inn
Prince Turkey Street
aDawliah Building,
PO BOX 2154,
Alkhobar 31952
SAUDI ARABIA
TEL: (03) 8643601

SYRIA

Technical Light & Sound
Center
Rawda, Abdul Qader Zajairi St.
Bldg. No. 21, P.O.BOX 13520,
Damascus, SYRIA
TEL: (011) 223-5384

TURKEY

ZUHALL DIS TICARET A.S.
Galip Dede Cad. No.37
Beyoglu - Istanbul / TURKEY
TEL: (0212) 249 85 10

U.A.E.

Zak Electronics & Musical
Instruments Co. L.L.C.
Zabeel Road, Al Shercoq Bldg.,
No. 14, Ground Floor, Dubai,
U.A.E.
TEL: (04) 3360715

NORTH AMERICA**CANADA**

Roland Canada Ltd.
(Head Office)
5480 Parkwood Way
Richmond B. C., V6V 2M4
CANADA
TEL: (604) 270 6626

Roland Canada Ltd.
(Toronto Office)

170 Admiral Boulevard
Mississauga On L5T 2N6
CANADA
TEL: (905) 362 9707

U. S. A.

Roland Corporation U.S.
5100 S. Eastern Avenue
Los Angeles, CA 90040-2938,
U. S. A.
TEL: (323) 890 3700

Roland Corporation

Download from [Www.Somanuals.com](http://www.somanuals.com). All Manuals Search And Download.

Roland

SuperNATURAL Expansion Board

ARX-02

ELECTRIC PIANO

取扱説明書

この製品を正しくお使いいただくために、ご使用前に「安全上のご注意」(P.48)と「使用上のご注意」(P.50)をよくお読みください。また、この製品の優れた機能を十分ご理解いただくためにも、取扱説明書をよくお読みください。取扱説明書は必要なときにすぐに見ることができるよう、手元に置いてください。



© 2008 ローランド株式会社

本書の一部、もしくは全部を無断で複写・転載することを禁じます。




安全上のご注意

火災・感電・傷害を防止するには

⚠ 警告と ⚠ 注意の意味について

 警告	取扱いを誤った場合に、使用者が死亡または重傷を負う可能性が想定される内容を表わしています。
 注意	取扱いを誤った場合に、使用者が傷害を負う危険が想定される場合および物的損害のみの発生が想定される内容を表わしています。 ※物的損害とは、家屋・家財および家畜・ペットにかかわる拡大損害を表わしています。

図記号の例

	△は、注意（危険、警告を含む）を表わしています。 具体的な注意内容は、△の中に描かれています。 左図の場合は、「一般的な注意、警告、危険」を表わしています。
	⊘は、禁止（してはいけないこと）を表わしています。 具体的な禁止内容は、⊘の中に描かれています。 左図の場合は、「分解禁止」を表わしています。
	●は、強制（必ずすること）を表わしています。 具体的な強制内容は、●の中に描かれています。 左図の場合は、「電源プラグをコンセントから抜くこと」を表わしています。

----- 以下の指示を必ず守ってください -----

⚠ 警告

- この製品を分解したり、改造したりしないでください。



- この製品を分解したり（取扱説明書に記載されている指示（P.52）を除く）、改造したりしないでください。



- 修理／部品の交換などで、取扱説明書に書かれていないことは、絶対にしないでください。必ずお買い上げ店またはローランド・サービスに相談してください。



- 次のような場所での使用や保存はしないでください。



- 温度が極端に高い場所（直射日光の当たる場所、暖房機器の近く、発熱する機器の上など）

- 水気の近く（風呂場、洗面台、濡れた床など）や湿度の高い場所



- 雨に濡れる場所
- ホコリの多い場所
- 振動の多い場所

⚠ 警告

- お子様のいるご家庭で使用する場合、お子様の取り扱いやいたすらに注意してください。必ず大人のかたが、監視／指導してあげてください。



- この製品を落としたり、この製品に強い衝撃を与えないでください。



- このエクспанション・ボードを取り付ける前に、取り付ける機器（Fantom-G6/G7/G8）の電源を切って電源プラグをコンセントから外してください。



⚠ 注意

- 指定の機器（Fantom-G6/G7/G8）だけに取り付け、取り付け時には指定されたネジだけを外してください。



使用上のご注意

お客様が SuperNATURAL エクスパンション・ボード ARX-02 (以下、「本製品」といいます) をローランドの正規販売店からお買い上げになった時点で、本製品に含まれる音やサンプルは、ローランド株式会社から、お客様に対して、音楽制作、公共の場での演奏、放送などの商用目的のための使用を許諾したものであって、著作権を譲渡したものではありません。

お客様は、いかなる追加料金を支払うこともなく、本製品に含まれるあらゆるフレーズやサンプルを、商用あるいは非商用目的の録音に使用できます。ただし、お客様が本製品を使用して音楽の録音を行う際は、以下のことにご注意ください。

本製品に含まれるいかなる録音物も、そのままの状態であれ、いかなる手段によって再構成、ミキシング、フィルター加工、再合成、加工処理、その他の編集作業をした状態であれ、ローランドの書面による許可なく、他の製品に含めたり再販売するために複製・複写することを禁止します。また、本製品に含まれるいかなる音も、許可なく贈与、取引、貸与、賃貸、再発行、再配布、再販売することを禁止します。

従って、本製品の音色は音楽制作の範囲でお使いいただくようお願いいたします。そして、本製品のライブラリーはお客様ご自身の個人的使用の目的の範囲でお使いください。本製品の音色データの複製・複写は禁止します。

ローランドは、著作権侵害がないかどうか、常時他のサウンド・ライブラリーの発売を把握しており、著作権侵害に対しては法的手段を行使する場合があります。

なお、本製品のライブラリーは第三者の著作権を一切侵害していないことを保証します。

設置について

- テレビやラジオの近くでこの製品を動作させると、テレビ画面に色ムラが出たり、ラジオから雑音が出る場合があります。この場合は、この製品を遠ざけて使用してください。

修理について

- お客様がこの製品を分解、改造された場合、以後の性能について保証できなくなります。また、修理をお断りする場合があります。
- 当社では、この製品の補修用性能部品（製品の機能を維持するために必要な部品）を、製造打切後 6 年間保有しています。この部品保有期間を修理可能の期間とさせていただきます。なお、保有期間が経過した後も、故障箇所によっては修理可能の場合がありますので、お買い上げ店、または最寄りのローランド・サービスにご相談ください。

その他の注意について

- 音楽をお楽しみになる場合、隣近所に迷惑がかからないように、特に夜間は、音量に十分注意してください。
 - 輸送や引っ越しをするときは、この製品が入っていたダンボール箱と緩衝材、または同等品で梱包してください。
 - この製品が入っていた梱包箱や緩衝材を廃棄する場合、各市町村のゴミの分別基準に従って行ってください。
- ※ 製品の仕様および外観は、改良のため予告なく変更することがあります。

目次

安全上のご注意.....	48	音色の設定.....	60
使用上のご注意.....	50	基本画面.....	60
エキスパンション・ボードを機器に取り付ける	52	パッチの選択.....	61
機器への取り付け方.....	52	パッチの保存 (Fantom-G の場合).....	61
取り付け後の確認方法.....	55	タイプを選ぶ (Type/Level 画面)	62
機器から取り外す場合.....	56	音色を調節する (Pickup/Bell 画面)	64
はじめに	57	エフェクトを選ぶ (MFX 画面)	66
主な特長	57	MFX スイッチ (MFX Switch).....	66
SuperNATURAL エクスパンション・ボード ARX シリーズ.....	57	MFX タイプ (MFX Type).....	66
Roland SuperNATURAL テクノロジー.....	57	プリ・アンプの種類を選ぶ (Pre Amp 画面)	72
ARX-02 ELECTRIC PIANO.....	57	Pre Amp スイッチ (Pre Amp Switch).....	72
ARX-02 ELECTRIC PIANO の構成	58	Pre Amp のパラメーター.....	72
		スピーカーの種類を選ぶ (Speaker 画面)	75
		パッチの初期化 (Utility 画面).....	75
		主な仕様	77
		索引	78

エクspansion・ボードを機器に取り付ける

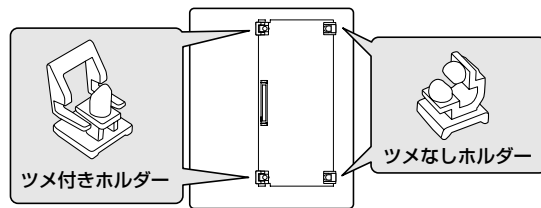
取り付け時のご注意

- このエクspansion・ボード（以下、基板と呼びます）を取り付ける前に、取り付ける機器の取扱説明書に記載されている、エクspansion・ボードの取り付け方法をよくお読みください。
- この基板は、静電気により部品が破壊される恐れがあります。基板を取り扱うときは、次の点に注意してください。
 - 基板を持つときは、あらかじめ何らかの金属に触れて、体や衣類にたまっている静電気を放電してください。
 - 基板を持つときは、基板の縁を持ち、部品やコネクタの部分に直接手を触れないでください。
 - 基板を保管するとき、または輸送するときなどは、購入時に基板が入っていた袋（導電袋）に入れてください。
- 基板や機器内部の回路部、コネクタ部には手を触れないでください。
- 基板を無理に押し込まないでください。取り付けにくい場合、いったん基板を外してやり直してください。
- 取り付けを終えたら、機器の取扱説明書に従ってエクspansion・ボードが正しく取り付けられていることを確認してください。

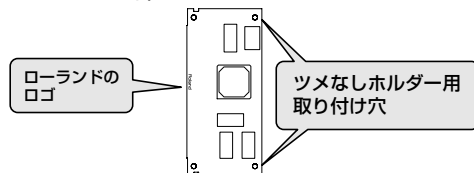
機器への取り付け方

1. 機器の取扱説明書に従って、エクspansion・ボード取り付け用のスロットを露出させます。
2. 図のように、機器のスロットと基板の向きを合わせてください。

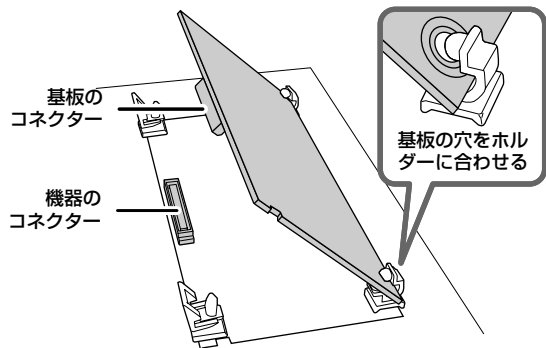
機器のスロット



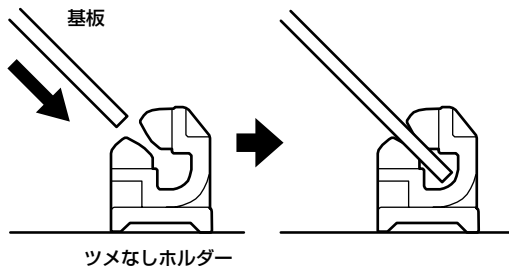
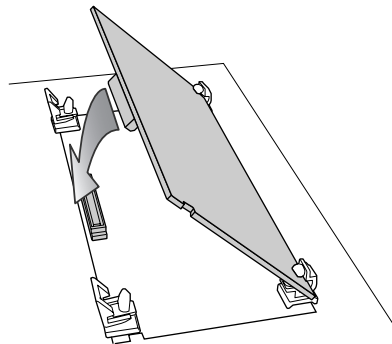
基板 (エクspansion・ボード)



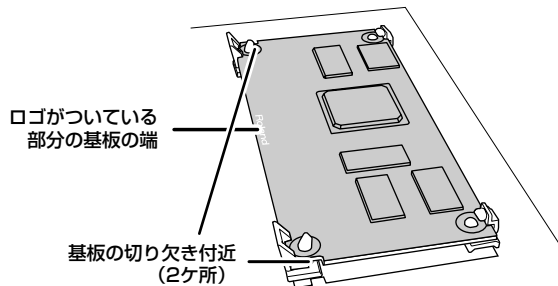
3. 基板を、機器側にあるツメなし基板ホルダーに、カチッと音がするまで差し込みます。



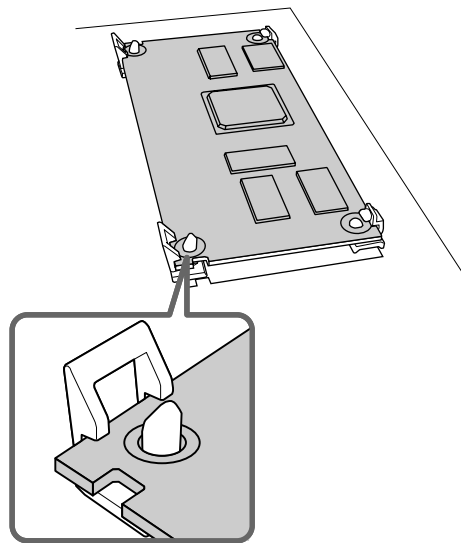
4. 基板を静かに倒します。



5. ツメ付き基板ホルダーがロックされるまで、基板の図の場所（3ヶ所）を上から押し込みます。



6. ツメ付き基板ホルダーがロックされていることを確認します。



7. エクспанション・ボード取り付け用のスロットを元の状態に戻します。

取り付け後の確認方法

エクspansion・ボードの取り付けが終わったら、次にエクspansion・ボードのインストール作業を行います。

このインストール作業は、エクspansion・ボードの取り付け直後の電源投入時のみに行われます。

1. 取り付けした機器の取扱説明書に従って、機器の電源を入れます。
2. エクspansion・ボードが正常に取り付けられていると、インストールの確認画面が表示されます。
[F8 (Execute)] ボタンを押して、インストールを開始します。



※ 画面は Fantom-G 装着時のものです。



取り付け直後の電源投入時にインストール確認画面が表示されない場合は、エクspansion・ボードが正しく認識されていない恐れがあります。エクspansion・ボードが正しく装着されていることを確認してみてください。



インストールが完了するまで、1～5分程度かかる場合があります。インストール中は、絶対に電源を切らないください。

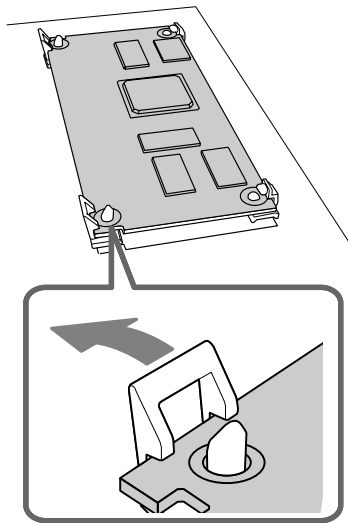
3. 画面に「Please Power Off!」と表示されたら、機器の取扱説明書に従って、機器の電源を入れ直します。



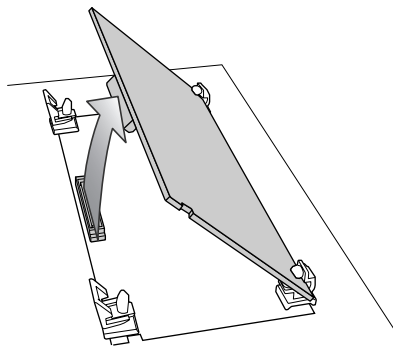
これでエクspansion・ボードのインストール作業は終了しました。

機器から取り外す場合

1. 機器の取扱説明書に従って、エクステンション・ボード取り付け用のスロットを露出させます。
2. ツメ付き基板ホルダーのロックを外します。



3. ツメ付き基板ホルダー（2ヶ所）のロックが外れていることを確認し、基板を上により引き起こして、コネクターを外します。



4. ツメなし基板ホルダーから、基板を抜き取ります。

主な特長

SuperNATURAL エクスパンション・ボード ARX シリーズ

SuperNATURAL エクスパンション・ボード ARX シリーズは、SR-JV80 シリーズ、SRX シリーズで築き上げたローランドの拡張コンセプトをさらに発展、そして進化させた、まったく新しいエクスパンション・ボードです。自然で豊かな演奏表現を実現した SuperNATURAL により、音色、エフェクト、専用のグラフィック・ユーザー・インターフェースなど、統合的なアプリケーション環境までをも拡張し、これまでにない演奏表現と新感覚のサウンド・カスタマイズを可能にします。

Roland SuperNATURAL テクノロジー

SuperNATURAL

SuperNATURAL は、アコースティック楽器や電気楽器の音色変化や楽器特有の奏法をリアルに再現し、「自然で豊かな表現」を可能にしたローランド独自の音源技術です。

ARX-02 ELECTRIC PIANO

緻密かつ直感的なカスタマイズ機能

ARX-02 は、エレクトリック・ピアノの発音構造や音色特性を、SuperNATURAL により忠実に再現。これまでにない、極限までリアルなエレピ・サウンドによる演奏を楽しむことができます。

カスタマイズでは、エレクトリック・ピアノのモデル・タイプはもちろん、トーン・バーとピックアップの距離やトーン・バーの角度、ベルのキャラクター、コンディションによる音色の違いなど、緻密なパラメーター設定が可能。エレピ専門のエンジニアのように、こだわりのセッティングによるエレピ音色が作り出せます。

SuperNATURAL により極限まで表現力を高めたエレクトリック・ピアノ

ARX-02 は、エレクトリック・ピアノ用にチューニングされた5種類のアンプを搭載。これにより、音量の強弱によるエレクトリック・ピアノ特有のトーンや歪みなど、従来のサンプリング波形の切り替えでは難しかったスムーズな音色変化を無段階に実現。エレクトリック・ピアノならではの繊細かつダイナミックな演奏表現を可能にします。

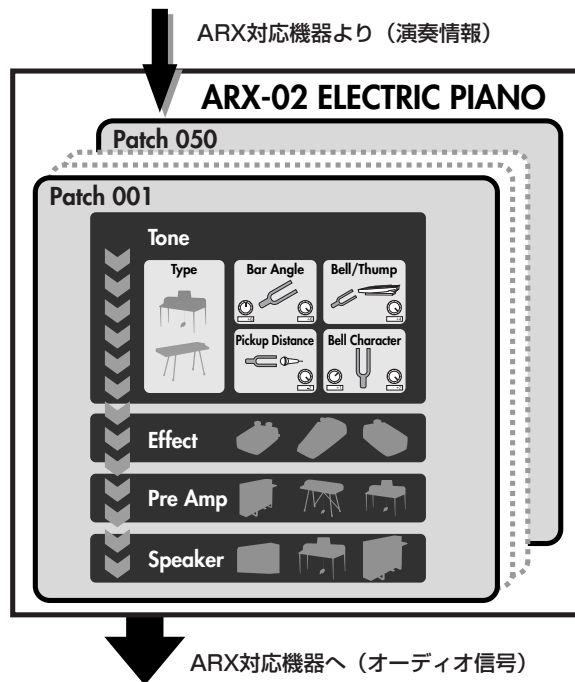
また、フェイザーやコーラスなど、エレクトリック・ピアノに最適なマルチ・エフェクトも多数装備。多彩なキャラクターのエレクトリック・ピアノ・サウンドをつくるのが可能です。

ARX-02 ELECTRIC PIANO の構成

基本構成

SuperNATURAL エクスパンション・ボード ARX シリーズは、ARX シリーズに対応した機器から演奏情報、制御情報を受けて音を発生し、対応機器にオーディオ信号を送信します。

- ※ ARX シリーズは最大 16 までのパートをサポートしていますが、本製品は 1 パートのみの仕様です。
- ※ 本製品を Fantom-G に装着した場合、Fantom-G に搭載されているリバープなどのエフェクトを、本製品の出力にかけることができます。
- ※ 本製品は、幅広いエディットを実現しているため、使用する再生機器や本製品のパラメーター設定によっては、音が割れる、歪むなどの現象が生じることがあります。この場合は、以下のように対処してください。
 - 本製品のレベルに関するパラメーターを小さな値にする。
 - 本製品を搭載している機器の出力レベルを小さくする。
 - 再生機器の音量を下げる。
- ※ 本製品は Fantom-G の以下のパラメーターには対応していません。本製品を Fantom-G に装着し以下のパラメーターをエディットした場合は、無視されます。
 - Part Output Level (パート・アウトプット・レベル)
 - Part EFX1 Send Level (エクスパンション・パート・エフェクト 1・センド・レベル)
 - Part EFX2 Send Level (エクスパンション・パート・エフェクト 2・センド・レベル)



音源部

ARX-02 は、Tone、MFX、Pre Amp、Speaker の 4 つのステージで構成されています。

Tone (Type、Pickup/Bell) ステージでは、エレクトリック・ピアノのタイプやモデルや、コンディションによる音色の違いなど、主にエレクトリック・ピアノ本体の設定をします。

MFX ステージではさまざまなエフェクトをかけることができます。

Pre Amp ステージでは、プリ・アンプの設定を行います。Tone ステージとは独立しているため、現実には存在しない組み合わせを作ることも可能です。

Speaker ステージは、スピーカーの設定をします。

パッチ

音源部の設定は、パッチとして保存することができます。

ARX-02 ELECTRIC PIANO は、50 のパッチを持っています。

Fantom-G に装着した場合、パッチの情報は Fantom-G のプロジェクトに保存されます。

音色の設定

本書について

- 本書では、Fantom-G に装着したときの画面写真を使用しています。また、各種操作方法は、Fantom-G 装着時の場合を想定して説明しています。
- カースルを移動させる方法や、値を変更する方法については、お使いの機器の取扱説明書を参照してください。

基本画面



基本画面には、PATCH NAME (パッチ名) およびパッチの代表的なパラメーターが表示されます。

パラメーター	解説	ページ
Condition	エレクトリック・ピアノの状態を設定します。	P.62
Pickup Level	エレクトリック・ピアノの音量を調節します。	P.62
Amp Level	Pre Amp の出力音量を調節します。	P.72
MFX Switch	MFX をオン/オフします。	P.66
Pre Amp Switch	Pre Amp をオン/オフします。	P.72

※ MFX に関するパラメーターについて詳しくは、『**エフェクトを選ぶ (MFX 画面)**』(P.66) を参照してください。

※ Pre Amp に関するパラメーターについて詳しくは、『**プリ・アンプの種類を選ぶ (Pre Amp 画面)**』(P.72) を参照してください。

パッチの選択

PATCH NAME (パッチ名) にカーソルを合わせて値を変更すると、パッチ (001 ~ 050) を選択することができます。

パッチの保存 (Fantom-G の場合)

作成したパッチ (音色) は一時的なもので、パッチを選び直した場合には作成した音色が失われてしまいます。パッチの状態を保存しておきたいときは、以下の方法で保存してください。

1. Fantom-G の [WRITE] ボタンを押します。
2. パッチに名前を付けます。
名前の付け方については、Fantom-G 取扱説明書を参照してください。



3. 名前を付け終わったら、[F8 (OK)] ボタンを押します。
4. パッチ番号を選び、[F8 (WRITE)] ボタンを押します。
5. 確認の画面が表示されたら、[F7 (OK)] ボタンを押して、パッチを保存します。

タイプを選ぶ (Type/Level 画面)



Type/Level 画面では、エレクトリック・ピアノのタイプ、状態、特性を設定します。

パラメーター	設定値	説明
Tone Type	TINE EP	70年代に多用されたエレクトリック・ピアノです。ジャズやフュージョンのミュージシャンに使用され、現代でも多くのファンを持つ代表的なタイプです。ベルのようなアタックとマイルドな音色が特徴で、スムーズ・ジャズやアシット・ジャズなどの現代の音楽シーンにおいてもなくてはならないエレクトリック・ピアノです。
	REED EP	60年代に登場し、ロックやR&Bなどに多用されたエレクトリック・ピアノです。柔らかな弱音とシンセサイザーのレゾナンス・サウンドを思わせる強音を併せ持つダイナミクスが特徴です。現代でも多くのミュージシャンに使用され続けているエレクトリック・ピアノです。
	SA EP1	ローランドが1986年に発売したRD-1000のE.Piano 1サウンドです。
	SA EP2	RD-1000のE.Piano 2サウンドです。
	REED BELL	比較的新しいタイプのエレクトリック・ピアノです。TINE EPとREED EPの両方の特徴を持っています。
	TINE EP2	比較的新しいタイプのエレクトリック・ピアノです。TINE EPのバリエーションです。
	FM TINE	比較的新しいタイプのエレクトリック・ピアノです。TINE EPのバリエーションです。
	REED EP2	比較的新しいタイプのエレクトリック・ピアノです。REED EPのバリエーションです。
Condition	1 ~ 5	選択した Tone Type に対して、エレクトリック・ピアノのコンディションを設定します。
Pickup Level	0 ~ 127	エレクトリック・ピアノの音量を調節します。

ダンパー・ノイズを調節する (Damper Noise)

ダンパー・ノイズ (ダンパー・ペダルを踏んで、トーンバーが開放されたときに鳴る音) を調節します。

パラメーター	設定値	解説
Damper Noise	-10 ~ 0 ~ +10	値を大きくすると、ダンパー・ノイズが大きくなります。

※ 選ばれている **Tone Type** (P.62) によっては効果がありません。

キー・オフ音を調節する (Key Off Resonance)

キー・オフ音 (鍵盤を離れたときの微妙な音) などの共鳴音を調節します。

パラメーター	設定値	解説
Key Off Resonance	-10 ~ 0 ~ +10	値を大きくすると、キー・オフ音が大きくなります。-10 では完全にキー・オフ音が鳴らなくなります。

※ 選ばれている **Tone Type** (P.62) によっては効果がありません。

ハム・ノイズを調節する (HUM Noise)

ピックアップが拾ってしまうハムなどのノイズ量を調節します。

電気式のピアノでは各種のノイズが混入し、演奏している音と共に出力されることがあります。エフェクトの設定によっては、そのノイズにより生々しい雰囲気を出すことができます。

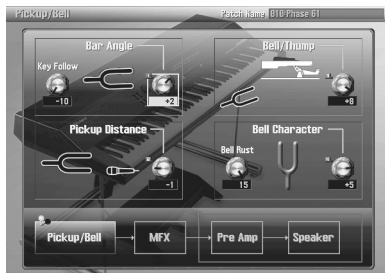
パラメーター	設定値	解説
HUM Noise	-10 ~ 0 ~ +10	0 からマイナス側に値を変えるとクリアなサウンドに、プラス側に変えるとダーティーなサウンドになります。-10 では完全にハムが鳴らなくなります。

※ 選ばれている **Tone Type** (P.62) によっては効果がありません。

弾く強さによって発音のタイミングを変える (Hammer Response)

パラメーター	設定値	解説
Hammer Response	-64 ~ 0 ~ +63	鍵盤を押しした瞬間から発音するまでの時間を設定します。0 からマイナス側に値を変えると、強く弾いたときの発音のタイミングが遅くなり、プラスに値を変えると、弱く弾いたときの発音のタイミングが遅くなります。

音色を調節する (Pickup/Bell 画面)



Pickup/Bell 画面では、エレクトリック・ピアノの音色を調節します。

音の太さを調節する (Bar Angle)

典型的なエレクトリック・ピアノではトーンバーとタインと呼ばれる金属片をハンマーで叩き、その振動をピックアップで拾うことで音を出しています。そのようなピアノではトーンバーとピックアップの角度を変えることで音色を調節できます。

トーンバーを持たないエレクトリック・ピアノでも同様な音色変化を実現します。

パラメーター	設定値	解説
Key Follow	-10 0 +10	押さえる鍵盤の位置による Bar Angle パラメーターの効果を設定します。値を大きくすると、効果が大きくなります。プラスの値にすると、高い鍵ほど Bar Angle の変化が大きくなります。マイナスの値にすると、高い鍵ほど Bar Angle の変化が小さくなります。
Bar Angle	-10 0 +10	値を大きくすると、基本音が強調された、太い音になります。

アタックの音質を調節する (Bell/Thump)

アタックに含まれるコロコロした音 (Bell) とハンマーのゴツンとした音 (Thump) のバランスを調節します。

パラメーター	設定値	解説
Bell/Thump	-10 0 +10	0 からマイナス側に値を変えるとベル・サウンドが強調され、プラスに値を変えるとハンマー音が強調されます。

音のニュアンスを調節する (Pickup Distance)

典型的なエレクトリック・ピアノはトーンバーの振動をピックアップによって音に変換しています。このパラメーターを調節すると、トーンバーとピックアップの距離を変える効果が得られます。

トーンバーを持たないエレクトリック・ピアノでも同様な音色変化を実現します。

パラメーター	設定値	解説
Pickup Distance	-2 ~ 0 ~ +2	値を小さくすると、トーンバーとピックアップの距離を離します。ダイナミクスがつきやすくなります。値を大きくすると、よりパワー感のある力強い音になります。

ベルの音質を調節する (Bell Character)

アタックに含まれるベル・サウンドの質感を調節します。

パラメーター	設定値	解説
Bell Rust	0 ~ 15	値を大きくすると、ベル・サウンドの高域成分を減らします。
Bell Character	-10 ~ 0 ~ +10	0 からマイナス側に値を変えると重い感じに、プラス側に変えると軽い感じになります。

エフェクトを選ぶ (MFX 画面)



エレクトリック・ピアノに、エフェクトをかけることができます。

選択しているエフェクトによって、設定できるパラメーターが異なります。

MFX スイッチ (MFX Switch)

パラメーター	設定値	解説
MFX Switch	OFF、ON	MFX をオン/オフします。

MFX タイプ (MFX Type)

※ 設定値の「音符」について、詳しくは『音符について』(P.76) を参照してください。

MFX00:THRU

エフェクトがかかりません。

MFX 01:EQUALIZER (イコライザー)

パラメーター	設定値	解説
Low Freq	200、400Hz	低域の基準周波数
Mid1 Freq	200 ~8000Hz	中域 1 の基準周波数
Mid2 Freq	200 ~ 8000Hz	中域 2 の基準周波数
High Freq	2000、4000、 8000Hz	高域の基準周波数
Low Gain	-15 ~ +15dB	低域の増幅/減衰量
Mid1 Gain	-15 ~ +15dB	中域 1 の増幅/減衰量
Mid2 Gain	-15 ~ +15dB	中域 2 の増幅/減衰量
High Gain	-15 ~ +15dB	高域の増幅/減衰量
Mid1 Q	0.5、1.0、2.0、 4.0、8.0	中域 1 の尖度 値を大きくするほど幅が狭くなります。
Mid2 Q	0.5、1.0、2.0、 4.0、8.0	中域 2 の尖度 値を大きくするほど幅が狭くなります。
Level	0 ~ 127	出力音量

MFX 02: SUPER FILTER (スーパー・フィルター)

パラメーター	設定値	解説
Type	LPF、 BPF、 HPF、 NOTCH	フィルターの種類 各フィルターを通過する周波数 LPF : Cutoff 以下の周波数 BPF : Cutoff 付近の周波数 HPF : Cutoff 以上の周波数 NOTCH : Cutoff 付近以外の周波数
Slope	-12、 -24、 -36dB	フィルターの傾き (減衰特性、1 オクターブあたりの減衰量) -12dB : 緩やか -24dB : 急峻 -36dB : 非常に急峻
Cutoff	0 ~ 127	フィルターのカットオフ周波数 値を大きくするほど高い周波数になります。
Resonance	0 ~ 127	フィルターの共振レベル 値を大きくするほどカットオフ周波数付近が強調されます。
Gain	0 ~ +12dB	フィルター出力の増幅量
Mod Sw	OFF、ON	周期的な変化のオン/オフ
Modulation Wave	TRI、 SQR、 SIN、 SAW1、 SAW2	カットオフ周波数の変化のしかた TRI : 三角波 SQR : 矩形波 SIN : 正弦波 SAW1 : のこぎり波 (上昇) SAW2 : のこぎり波 (下降)
Sync	OFF、ON	オンにするとテンポに同期 『音符について』(P.76) を参照。
Rate	0.05 ~ 10.00Hz、 音符	揺れの周波数
Depth	0 ~ 127	揺れの深さ

パラメーター	設定値	解説
Attack	0 ~ 127	カットオフ周波数の変化の速さ Modulation Wave が SQR 、 SAW1 、 SAW2 の場合に効果があります。
Level	0 ~ 127	出力音量

MFX 03: CHORUS (コーラス)

パラメーター	設定値	解説
Mode	1-PHASE、 2-PHASE、 3-PHASE、 6-PHASE	コーラスの段数
Pre Delay	0.0 ~ 100ms	原音が鳴ってからコーラス音が鳴るまでの遅延時間
Sync	OFF、ON	オンにするとテンポに同期 『音符について』(P.76) を参照。
Rate	0.05 ~ 10.00Hz、 音符	揺れの周波数
Depth	0 ~ 127	揺れの深さ
Phase	0 ~ 180deg	コーラス音の広がり具合
Balance	D100:0W ~ D0:100W	原音 (D) とコーラス音 (W) の音量バランス
Level	0 ~ 127	出力音量

MFX 04:PHASER1 (フェイザー 1)

パラメーター	設定値	解説
Resonance	0 ~ 127	フィードバック量
Sync	OFF、ON	オンにするとテンポに同期 『音符について』(P.76) を参照。
Rate	0.05 ~ 10.00Hz、 音符	揺れの周波数
Depth	0 ~ 127	うねりの深さ
Low Gain	-15 ~ +15dB	低域の増幅/減衰量
High Gain	-15 ~ +15dB	高域の増幅/減衰量
Level	0 ~ 127	出力音量

MFX 05:PHASER2 (フェイザー 2)

パラメーター	設定値	説明
Mode	4-STAGE、 8-STAGE、 12-STAGE	フェイザーの段数
Manual	0 ~ 127	音をうねらせる基準周波数
Resonance	0 ~ 127	フィードバック量
Feedback	-98 ~ +98%	フェイザー音を入力に戻す割合 (マイナス: 逆相)
Mix	0 ~ 127	位相をずらした音の音量
Sync	OFF、ON	オンにするとテンポに同期 『音符について』(P.76) を参照。
Rate	0.05 ~ 10.00Hz、 音符	うねりの周期
Depth	0 ~ 127	うねりの深さ
Polarity	INVERSE、 SYNCHRO	モジュレーションの左右の位相 INVERSE : 左右逆相 モノ・ソースを使用したときに音の広がりがあります。 SYNCHRO : 左右同相 ステレオ・ソースを使用するときに選びます。
Low Gain	-15 ~ +15dB	低域の増幅/減衰量
High Gain	-15 ~ +15dB	高域の増幅/減衰量
Level	0 ~ 127	出力音量

MFX 06:FLANGER (フランジャー)

パラメーター	設定値	解説
Pre Delay	0.0 ~ 100ms	原音が鳴ってからフランジャー音が鳴るまでの遅延時間
Sync	OFF、ON	オンにするとテンポに同期 『音符について』(P.76)を参照。
Rate	0.05 ~ 10.00Hz、 音符	揺れの周波数
Depth	0 ~ 127	揺れの深さ
Phase	0 ~ 180deg	フランジャー音の広がり具合
Feedback	-98 ~ +98 %	フランジャー音を入力に戻す割合 (マイナス: 逆相)
Low Gain	-15 ~ +15dB	低域の増幅/減衰量
High Gain	-15 ~ +15dB	高域の増幅/減衰量
Balance	D100:0W ~ D0:100W	原音 (D) とフランジャー音 (W) の音量バランス
Level	0 ~ 127	出力音量

MFX 07: DELAY (ディレイ)

パラメーター	設定値	解説
Sync	OFF、ON	オンにするとテンポに同期 『音符について』(P.76)を参照。
Delay Time	0 ~ 1300ms、 音符	原音が鳴ってからディレイ音が鳴るまでの遅延時間
Acceleration	0 ~ 15	ディレイ・タイムを変化させた場合、現在のディレイ・タイムから指定のディレイ・タイムに達するまでの時間 ディレイ・タイムと同時にピッチ変化の速さも変わります。
Feedback	-98 ~ +98 %	ディレイ音を再び入力に戻す割合 (%) プラスの値にすると正相で、マイナスの値にすると逆相で入力に戻され ます。
HF Damp	200 ~ 8000Hz、 BYPASS	入力に戻すディレイ音について、高域成分をカットする周波数 カットしないときは BYPASS に設定 します。
Low Gain	-15 ~ +15dB	低域の増幅/減衰量
High Gain	-15 ~ +15dB	高域の増幅/減衰量
Balance	D100:0W ~ D0:100W	原音 (D) とディレイ音 (W) の音量バ ランス
Level	0 ~ 127	出力音量

MFX 08:REVERB (リバーブ)

パラメーター	設定値	解説
Type	ROOM1、 ROOM2、 STAGE1、 STAGE2、 HALL1、 HALL2	ディレイの種類 ROOM1 : 余韻が短く高密度 ROOM2 : 余韻が短く低密度 STAGE1 : 後部残響音多め STAGE2 : 初期反射強め HALL1 : 澄んだ響き HALL2 : 豊かな響き
Pre Delay	0.0 ~ 100ms	原音が鳴ってからリバーブ音が鳴るまでの遅延時間
Time	0 ~ 127	リバーブ音の余韻の長さ
HF Damp	200 ~ 8000Hz、 BYPASS	リバーブ音の高域成分をカットする基準 周波数 (BYPASS : カットしない)
Low Gain	-15 ~ +15dB	低域の増幅/減衰量
High Gain	-15 ~ +15dB	高域の増幅/減衰量
Balance	D100:0W ~ 00:100W	原音 (D) とリバーブ音 (W) の音量バ ランス
Level	0 ~ 127	出力音量

MFX 09:LINE DRIVE (ライン・ドライブ)

パラメーター	設定値	解説
Strength	SOFT、 HARD	SOFT よりも HARD の方がより強い歪 みが得られます。
Type	1、2	歪みのニュアンスを変えます。
Drive	0 ~ 127	歪み具合を変えます。音量も変化しま す。
Low Gain	-15 ~ +15dB	低域の増幅/減衰量
High Gain	-15 ~ +15dB	高域の増幅/減衰量
Level	0 ~ 127	出力音量

※ 電気回路を軽くオーバーロードさせたときの歪みを再現しま
す。

MFX 10:COMPRESSOR (コンプレッサー)

パラメーター	設定値	解説
Attack	0 ~ 127	Threshold を超える入力があったとき に、音量を圧縮するまでの時間
Threshold	0 ~ 127	圧縮を始める音量レベル
Post Gain	0 ~ +18dB	出力する音のレベル
Low Gain	-15 ~ +15dB	低域の増幅/減衰量
High Gain	-15 ~ +15dB	高域の増幅/減衰量
Level	0 ~ 127	出力音量

MFX 11:WAH (ワウ)

パラメーター	設定値	解説
Filter Type	LPF、BPF	フィルターの種類 LPF ：広い周波数範囲でワウ効果が得られます。 BPF ：狭い周波数範囲でワウ効果が得られます。
Manual	0 ~ 127	Control Type が「PEDAL」のとき、このパラメーターで音色を変化させることができます。
Peak	0 ~ 127	ワウ効果のかかる周波数の幅値を大きくするほど周波数帯の幅が狭くなります。
Sens	0 ~ 127	Control Type が「TOUCH」のとき、このパラメーターで音量による音色の変化の感度が変わります。
Control Type	TOUCH、PEDAL	エフェクトの制御方法 TOUCH ：音量の変化に伴って音色が変わります。 PEDAL ：Manual パラメーター、またはコントローラー・ナンバー 4 (CC#4) の MIDI メッセージを受信すると音色が変わります。
Depth	0 ~ 127	ワウ効果の揺れの深さ
Level	0 ~ 127	出力音量

MFX 12:RING MODULATOR (リング・モジュレーター)

パラメーター	設定値	解説
Frequency	0 ~ 127	変調をかける周波数
Sens	0 ~ 127	周波数の変調のかかり具合
Polarity	UP、DOWN	周波数の変調を動かす方向 UP ：高い周波数方向 DOWN ：低い周波数方向
Low Gain	-15 ~ +15dB	低域の増幅／減衰量
High Gain	-15 ~ +15dB	高域の増幅／減衰量
Balance	D100:0W ~ D0:100W	原音 (D) とエフェクト音 (W) の音量バランス
Level	0 ~ 127	出力音量

プリ・アンプの種類を選ぶ (Pre Amp 画面)



エレクトリック・ピアノのアンプを切り替えます。タイプとアンプの種類を組み合わせることで、定番の音色から、今までにない新しい音色まで作り出せます。

Pre Amp スイッチ (Pre Amp Switch)

パラメーター	設定値	解説
Pre Amp Switch	OFF、ON	Pre Amp をオン/オフします。

Pre Amp のパラメーター

※ 設定値の「音符」については、『音符について』(P.76) を参照してください。

THRU

プリ・アンプを使用しません。

OLD

TINE EP (P.62) との組み合わせで、70年代前半の定番エレクトリック・ピアノ・サウンドを再現します。

パラメーター	設定値	解説
Tremolo Switch	OFF、ON	トレモロをオン/オフします。
Tremolo Sync	OFF、ON	オンにするとテンポに同期します。 『音符について』(P.76) を参照。
Tremolo Rate	0.05 ~ 10.00Hz、 音符	トレモロのかかる周波数
Tremolo Depth	0 ~ 127	トレモロのかかる深さ
Tremolo Duty	-10 ~ +10	トレモロをかける LFO 波形のデューティを設定します。値を大きくすると、L チャンネルの LFO 波形のデューティが大きくなります。R チャンネルは小さくなります。
Bass	-50 ~ +50	低音の増幅/減衰量
Treble	-50 ~ +50	高音の増幅/減衰量
Level	0 ~ 127	出力音量

NEW

TINE EP (P.62) との組み合わせで、70 年代後半から 80 年代前半の定番エレクトリック・ピアノ・サウンドを再現します。

パラメーター	設定値	解説
Tremolo Switch	OFF、ON	トレモロをオン/オフします。
Tremolo Sync	OFF、ON	オンにするとテンポに同期します。 『音符について』(P.76) を参照。
Tremolo Rate	0.05 ~ 10.00Hz、 音符	トレモロの周波数
Tremolo Depth	0 ~ 127	トレモロのかかる深さ
Tremolo Duty	-10 ~ +10	トレモロをかける LFO 波形のデューティを設定します。値を大きくすると、L チャンネルの LFO 波形のデューティが大きくなります。R チャンネルは小さくなります。
Bass	-50 ~ +50	低音の増幅/減衰量
Treble	-50 ~ +50	高音の増幅/減衰量
Level	0 ~ 127	出力音量

DYNO

OLD や NEW を改造したアンプで、明るいサウンドと、強く弾いたときの歪みが特徴的なアンプ・タイプです。TINE EP (P.62) と組み合わせることにより、80 年代前半に多くのレコーディングで使われたエレクトリック・ピアノ・サウンドを再現します。

パラメーター	設定値	解説
Tremolo Switch	OFF、ON	トレモロをオン/オフします。
Tremolo Sync	OFF、ON	オンにするとテンポに同期します。 『音符について』(P.76) を参照。
Tremolo Rate	0.05 ~ 10.00Hz、 音符	トレモロのかかる周波数
Tremolo Depth	0 ~ 127	トレモロのかかる深さ
Tremolo Shape	0 ~ 127	トレモロの波形を調節します。値を 0 に近づけると三角波に近くなり、値を 127 に近づけると矩形波に近くなります。Tremolo Depth の設定によっても効果が変わります。
Bass Boost	0 ~ 127	低音域の増幅/減衰量
Filter Curve	0 ~ 127	中音域の増幅/減衰量
Over Tone	0 ~ 127	高音域の増幅/減衰量
Limiter	OFF、ON	リミッターをかけるか (オン、かけないか (オフ) を選択
Level	0 ~ 127	出力音量

WURLY

REED EP (P.62) との組み合わせで、60 年代の定番エレクトリック・ピアノ・サウンドを再現します。

パラメーター	設定値	解説
Vibrato Switch	OFF、ON	ビブラートをオン/オフします。
Vibrato Sync	OFF、ON	オンにするとテンポに同期します。 【音符について】(P.76) を参照。
Vibrato Rate	0.05～10.00Hz、 音符	ビブラートのかかる周波数
Vibrato Depth	0～127	ビブラートのかかる深さ
Bass	-50～+50	低音の増幅/減衰量
Treble	-50～+50	高音の増幅/減衰量
Level	0～127	出力音量

STAGE

ステージ・ピアノでの演奏を再現します。

パラメーター	設定値	解説
Tremolo Switch	OFF、ON	トレモロをオン/オフします。
Tremolo Sync	OFF、ON	オンにするとテンポに同期します。 【音符について】(P.76) を参照。
Tremolo Rate	0.05～10.00Hz、 音符	トレモロのかかる周波数
Tremolo Depth	0～127	トレモロのかかる深さ
Tremolo Duty	-10～+10	トレモロをかける LFO 波形のデューティを設定します。値を大きくすると、L チャンネルの LFO 波形のデューティが大きくなります。R チャンネルは小さくなります。
Bass	-50～+50	低音の増幅/減衰量
Treble	-50～+50	高音の増幅/減衰量
Level	0～127	出力音量

スピーカーの種類を選ぶ (Speaker 画面)



Speaker 画面では、スピーカーの種類を選びます。

パラメーター	設定値	解説
Speaker Switch	OFF、ON	スピーカーのオン、オフを切り替えます。
Speaker Type	LINE	LINE OUT から出力されたサウンドです。
	OLD	70 年代前半の定番エレクトリック・ピアノのアンプです。
	NEW	70 年代後半から 80 年代前半の定番エレクトリック・ピアノのアンプです。
	WURLY	60 年代の定番エレクトリック・ピアノのアンプです。
	TWIN	ギター・アンプのサウンドです。

パッチの初期化 (Utility 画面)

Utility 画面では、パッチを初期化することができます。

初期化 (Patch Init) を実行すると、カレント・パッチの設定を標準の値にすることができます。

- 1 初期化したいパッチを選びます。
- 2 Utility 画面の Patch Init を選びます。
- 3 確認の画面が表示されたら、[F7 (OK)] ボタンを押します。

中止するときは、[F8 (EXIT)] ボタンを押してください。

※ Fantom-G6/G7/G8 に取り付けている場合、Fantom-G6/G7/G8 のファクトリー・リセットを実行すると、エクспанション・ボードが工場出荷時の設定になります。

音符について

時間の代わりに音符の単位で指定し、テンポに同期させることができるパラメーターがあります (Rate や Delay Time といったパラメーターが該当します)。このようなパラメーターには、値を音符で設定するか、あるいは数値で設定するかを切り替える Sync スイッチがついています。

Rate (Delay Time) を数値で設定するときには、Sync スイッチをオフにします。また、音符で設定するときには、Sync スイッチをオンにします。

設定値	意味
1/64T(♩ ₃)	3 連 64 分音符
1/64(♩)	64 分音符
1/32T(♩ ₃)	3 連 32 分音符
1/32(♩)	32 分音符
1/16T(♩ ₃)	3 連 16 分音符
1/32.(♩.)	付点 32 分音符
1/16(♩)	16 分音符
1/8T(♩ ₃)	3 連 8 分音符
1/16.(♩.)	付点 16 分音符
1/8(♩)	8 分音符
1/4T(♩ ₃)	3 連 4 分音符
1/8.(♩.)	付点 8 分音符
1/4(♩)	4 分音符
1/2T(♩ ₃)	3 連 2 分音符
1/4.(♩.)	付点 4 分音符
1/2(♩)	2 分音符
1/1T(○ ₃)	3 連全音符
1/2.(♩.)	付点 2 分音符
1/1(○)	全音符
2/1T(♩ ₃)	3 連倍全音符
1/1.(○.)	付点全音符
2/1(♩)	倍全音符

主な仕様

ARX-02 ELECTRIC PIANO

最大同時発音数	64音（音源負荷に依存して変化）
パート数	1パート
ユーザー・メモリー	パッチ：50（プリロード・データ含む）
エフェクト	MFX：1系統（12種類） EQUALIZER SUPER FILTER CHORUS PHASER1 PHASER2 FLANGER DELAY REVERB LINE DRIVE COMPRESSOR WAH RING MODULATOR
カスタマイズ機能	Condition Bar Angle Pickup Distance Bell/Thump Bell Character Damper Noise Key Off Resonance HUM Noise Hammer Response Model Type Speaker Type など
付属品	取扱説明書 保証書 ローランド ユーザー登録カード ドライバー

※ 製品の仕様および外観は、改良のため予告なく変更されることがあります。

Download from [Www.Somanuals.com](http://www.Somanuals.com). All Manuals Search And Download.

索引

- B**
Bar Angle 64
Bell Character 65
Bell Rust 65
Bell/Thump 64
- C**
CHORUS 67
COMPRESSOR 70
Condition 62
- D**
Damper Noise 63
DELAY 69
DYNO 73
- E**
EQUALIZER 66
- F**
FLANGER 69
FM TINE 62
- H**
Hammer Response 63
HUM Noise 63
- K**
Key Follow 64
Key Off Resonance 63
- L**
LINE DRIVE 70
- N**
NEW 73
- O**
OLD 72
- P**
PATCH NAME 61
PHASER1 68
PHASER2 68
Pickup Distance 65
Pickup/Bell 画面 64
Pre Amp 画面 72
- R**
REED BELL 62
REED EP 62
REED EP2 62
REVERB 70
RING MODULATOR 71

S

SA EP1	62
SA EP2	62
Speaker 画面	75
STAGE	74
SUPER FILTER	67
SuperNATURAL	57

T

THRU	66、72
TINE EP	62
TINE EP2	62
Tone Type	62
Type/Level 画面	62

U

Utility 画面	75
------------------	----

W

WAH	71
WURLY	74

い

イコライザー	66
インストール	55

お

音符	76
----------	----

き

基板ホルダー	53
--------------	----

こ

コーラス	67
コンプレッサー	70

し

初期化	75
-----------	----

す

スーパー・フィルター	67
スピーカー	75
スロット	52

せ

選択	61
----------	----

た

タイプ	62
ダンパー・ノイズ	63

て

ディレイ	69
------------	----

と

トーンバー	64
-------------	----

の

ノイズ	63
-----------	----

は

パッチ	
初期化	75
選択	61
保存	61
ハンマー	64

ひ

ピックアップ	65
--------------	----

ふ

フェイザー 1	68
フェイザー 2	68
フランジャー	69
プリ・アンプ	72

へ

ベル	65
----------	----

ほ

保存	61
----------	----

ら

ライン・ドライブ	70
----------------	----

り

リバーブ	70
リング・モジュレーター	71

わ

ワウ	71
----------	----

お問い合わせの窓口

- 製品に関するお問い合わせ先

ローランドお客様相談センター **050-3101-2555**

電話受付時間： 月曜日～土曜日 10:00～17:30（年末年始を除く）

※IP電話からおかけになって繋がらない場合には、お手数ですが、電話番号の前に“0000”（ゼロ4回）をつけてNTTの一般回線からおかけいただくか、携帯電話をご利用ください。

※上記窓口の名称、電話番号等は、予告なく変更することがありますのでご了承ください。

- 最新サポート情報

製品情報、イベント／キャンペーン情報、サポートに関する情報など

ローランド・ホームページ <http://www.roland.co.jp/>

’07. 10. 01 現在 (Roland)

ローランド株式会社

Download from [Www.Somanuals.com](http://www.somanuals.com). All Manuals Search And Download.



Download from [Www.Somanuals.com](http://www.Somanuals.com). All Manuals Search And Download.

04908101

08-03-1N

Free Manuals Download Website

<http://myh66.com>

<http://usermanuals.us>

<http://www.somanuals.com>

<http://www.4manuals.cc>

<http://www.manual-lib.com>

<http://www.404manual.com>

<http://www.luxmanual.com>

<http://aubethermostatmanual.com>

Golf course search by state

<http://golfingnear.com>

Email search by domain

<http://emailbydomain.com>

Auto manuals search

<http://auto.somanuals.com>

TV manuals search

<http://tv.somanuals.com>