

DU30

Mic Preamp / Audio Ducker



OWNERS MANUAL

LIMITED WARRANTY

This product is warranted to the original consumer purchaser to be free from defects in materials and workmanship under normal installation, use and service for a period of one (1) year from the date of purchase as shown on the purchaser's receipt.

The obligation of Rolls Corporation under this warranty shall be limited to repair or replacement (at our option), during the warranty period of any part which proves defective in material or workmanship under normal installation, use and service, provided the product is returned to Rolls Corporation, TRANSPORTATION CHARGES PREPAID. Products returned to us or to an authorized Service Center must be accompanied by a copy of the purchase receipt. In the absence of such purchase receipt, the warranty period shall be one (1) year from the date of manufacture.

This warranty shall be invalid if the product is damaged as a result of defacement, misuse, abuse, neglect, accident, destruction or alteration of the serial number, improper electrical voltages or currents, repair, alteration or maintenance by any person or party other than our own service facility or an authorized Service Center, or any use violative of instructions furnished by us.

This one-year warranty is in lieu of all expressed warranties, obligations or liabilities. ANY IMPLIED WARRANTIES, OBLIGATIONS, OR LIABILITIES, INCLUDING BUT NOT LIMITED TO THE IMPLIED WARRANTIES OF MERCHANTABILITY AND FITNESS FOR A PARTICULAR PURPOSE, SHALL BE LIMITED IN DURATION TO THE ONE YEAR DURATION OF THIS WRITTEN LIMITED WARRANTY. Some states do not allow limitations on how long an implied warranty lasts, so the above limitation may not apply to you.

IN NO EVENT SHALL WE BE LIABLE FOR ANY SPECIAL, INCIDENTAL OR CONSEQUENTIAL DAMAGES FOR BREACH OF THIS OR ANY OTHER WARRANTY, EXPRESSED OR IMPLIED, WHATSOEVER. Some states do not allow the exclusion or limitation of special, incidental or consequential damages so the above limitation or exclusion may not apply to you. This warranty gives you specific legal rights, and you may also have other rights which vary from state to state.

DU30 MIC PRE - DUCKER

- Automatically ducks music under announcements
- Perfect for restaurants and small clubs
- Clean, Quiet Mic Preamp

The DU30 is a microphone preamp and background music preamp. When an announcement is made into the microphone, the music is automatically "ducked" under the announcement. Then the music is brought back to it's previous level.



Thank you for your purchase of the Rolls DU30 Mic Preamp Audio Ducker. This device temporarily and automatically mutes or "ducks" a background music signal under an announcement. After the announcement, the music level is automatically returned to it's previous level.

DESCRIPTION

REAR PANEL

MIC IN: Female XLR jack for connection to a dynamic or condenser paging microphone.

PHTM PWR: Jumper for engaging the +12 volt phantom power to the microphone input. The Rolls 12 volt phantom power circuit will power 99% of the world's existing condenser microphones.

ALT IN: Stereo RCA jacks for connecting to a source different from the Mic In as the master signal.

LINE IN: Stereo RCA jack for connection to the stereo signal source to be "ducked" such as a tuner, CD player or cassette player.

LINE OUT: Stereo RCA jacks for connection to the system's amplifiers.

FRONT PANEL

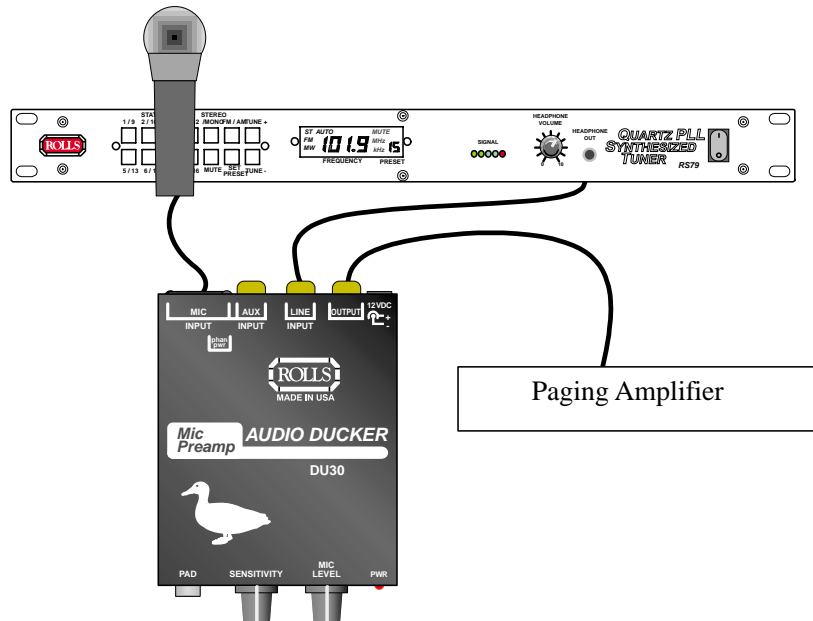
PAD: When pressed in, the gain of the XLR Mic In is reduced by 30 dB.

MIC LEVEL: Adjusts the amount of gain in the Mic In circuit.

SENSITIVITY: The Threshold at which "ducking" begins. When the microphone level reaches the threshold, the signal present at the Line Ins jacks is reduced until the announcement is over, then the Line In signal returns to its previous level.

OPERATION

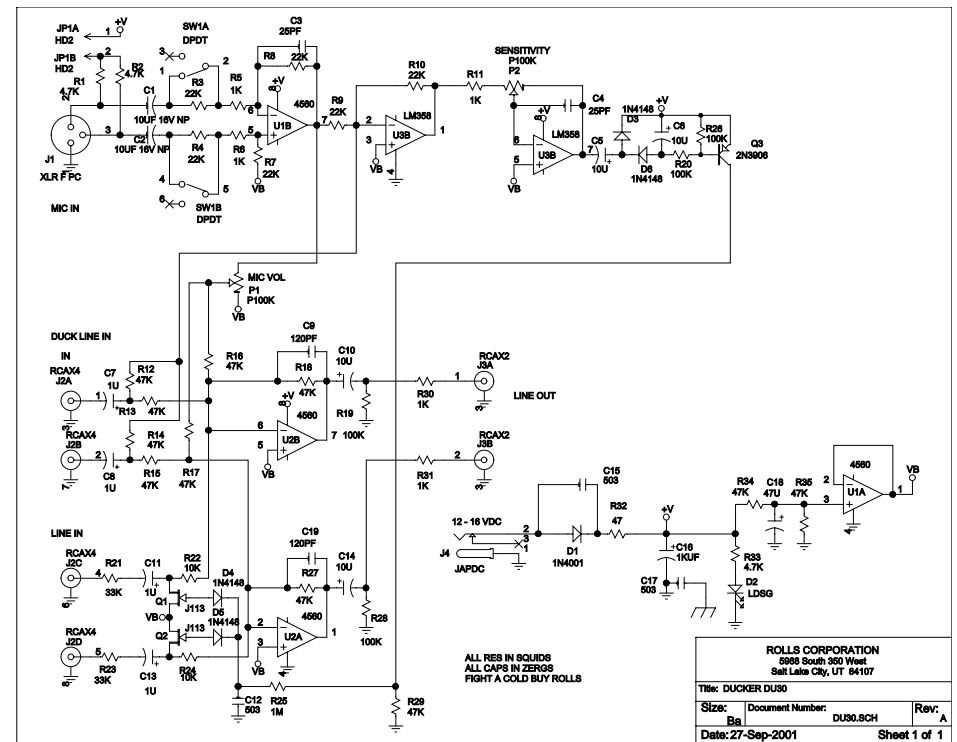
Shown below is a diagram of typical connection for the DU30. Set the level of the music signal for a comfortable level. Speak into the microphone and adjust the Mic Level for a comfortable level, then adjust the Sensitivity so that the music is muted when speaking with a normal voice.



SPECIFICATIONS

Frequency Response	20 Hz - 40 kHz
Input Impedance	100K ω unbalanced, 600 ω balanced
THD + Noise	<0.03% typical
Noise Floor	-78 dB
Indicators	Power LED Active LED
Input/Output jacks	XLR balanced output RCA unbalanced input and output
Size:	4" x 4" x 1.5"
Weight:	1 lb. (.5 kg)
Power:	12 - 16 VDC 50mA 5 x 1.2 mm DC Jack - Center Negative

SCHEMATIC



Free Manuals Download Website

<http://myh66.com>

<http://usermanuals.us>

<http://www.somanuals.com>

<http://www.4manuals.cc>

<http://www.manual-lib.com>

<http://www.404manual.com>

<http://www.luxmanual.com>

<http://aubethermostatmanual.com>

Golf course search by state

<http://golfingnear.com>

Email search by domain

<http://emailbydomain.com>

Auto manuals search

<http://auto.somanuals.com>

TV manuals search

<http://tv.somanuals.com>