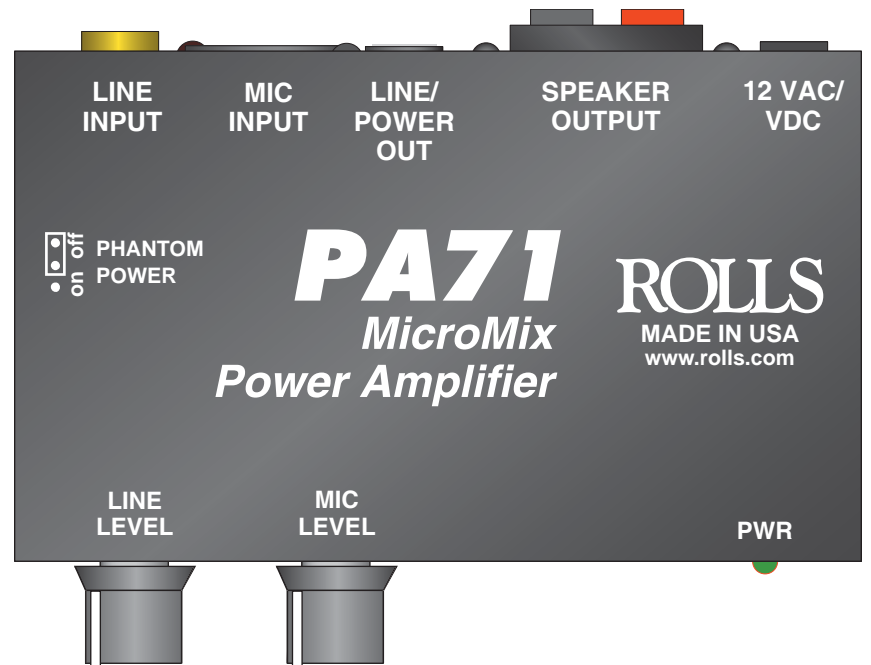


# ROLLS

## PA71 MicroMix Power Amplifier



### Quick Start Guide

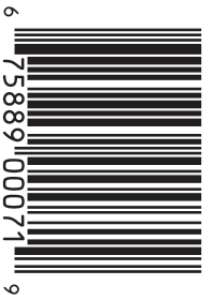
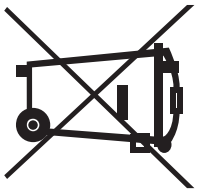
PA71

#### MicroMix Power Amplifier

- RCA Inputs
- XLR Mic Input
- Spring-loaded, and 1/4" output
- Low noise, efficient operation

The PA71 mixes an unbalanced line level signal with a mic signal to a powered 1/4" or speaker terminal outputs. The unit is perfect for small speakers in small environments.

CE



PA71 PLUS MicroMix

**ROLLS**

Salt Lake City, Utah  
7/10

## INTRODUCTION

Thank you for your purchase of the PA71 MicrMix Power Amplifier. This unit mixes a stereo RCA signal with a microphone to a 1/4" line level output and a powered spring loaded speaker output. The unit for powering small speakers in small environments.

## DESCRIPTION

### REAR PANEL

LINE INPUT: RCA line level inputs (mixed to mono)

MIC INPUT: Balanced XLR input for connection to a dynamic or condenser microphone.

LINE/POWER OUT: 1/4" TS output.

SPEAKER OUTPUT: Spring-loaded output terminals - the red terminal is positive and the black one is negative.

12VAC/VDC: For connection to the power supply.

### SIDE PANEL

PHANTOM POWER: Jumper pin for connecting 12 volts of phantom power to the Mic Input.

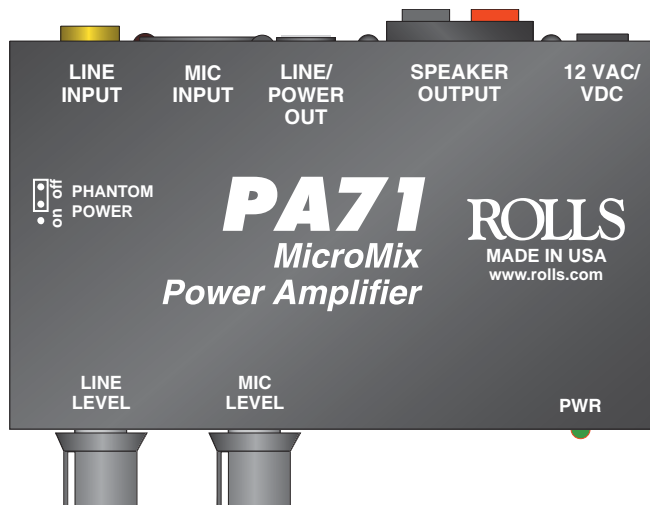
### FRONT PANEL

LINE LEVEL: Adjusts the level of signal from the Line Input to the Line/Power and Speaker outputs.

MIC LEVEL: Adjusts the level of signal from the Line Input to the Line/Power and Speaker outputs.

## CONNECTION / OPERATION

Connect input sources such as CD players or cassette players to the



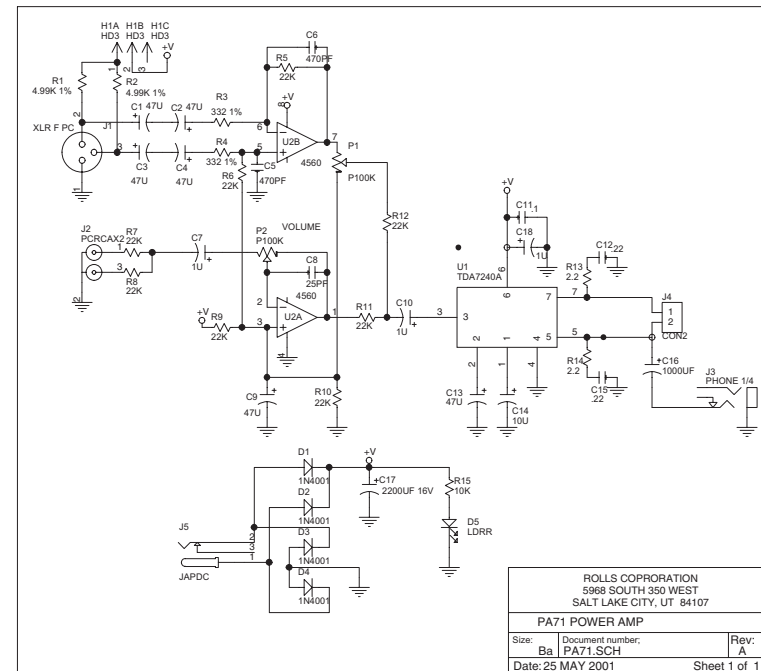
RCA inputs, connect a microphone to the balanced XLR Mic Input. If the microphone is a condenser type, move the Phantom Power jumper to connect the indicated pins.

**WARNING: DO NOT GROUND THE SPEAKER OUTPUT TERMINALS. THE SPEAKER TERMINALS ARE NOT AT GROUND POTENTIAL.**

## SPECIFICATIONS

Line Input Impedance:	47K Ohms
Mic Input Impedance:	600 Ohms
Phantom Power Voltage:	12 V
Power Output:	5 Watts (8 Ohms)
Voltage Gain:	40 dB
Maximum Supply Voltage:	18 VDC
THD:	.05% typical
EIN:	3 mV
Efficiency:	65%
Input Sensitivity:	28 mV
Bandwidth:	20Hz - 25 kHz
Size:	4.25" x 2.375" x 1.5"
Weight:	1 lb.

## SCHEMATIC



## Free Manuals Download Website

<http://myh66.com>

<http://usermanuals.us>

<http://www.somanuals.com>

<http://www.4manuals.cc>

<http://www.manual-lib.com>

<http://www.404manual.com>

<http://www.luxmanual.com>

<http://aubethermostatmanual.com>

Golf course search by state

<http://golfingnear.com>

Email search by domain

<http://emailbydomain.com>

Auto manuals search

<http://auto.somanuals.com>

TV manuals search

<http://tv.somanuals.com>