

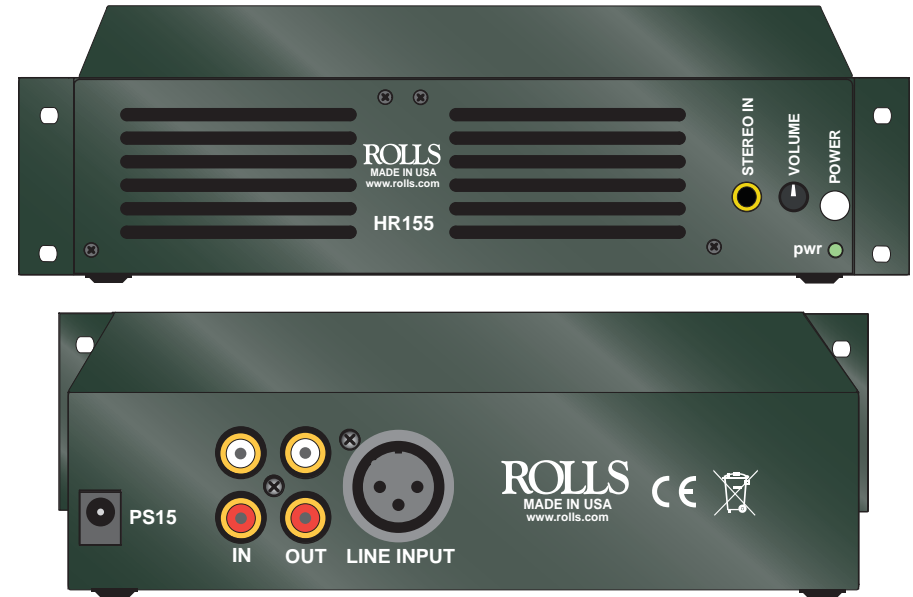
# HR155 Rack Mount Monitor

Is ideal for speaker monitoring anywhere space is limited. The all metal chassis of the HR155 will insure years of reliable use. The internal amplifier is designed to dissipate heat with in the chassis of the HR155, so no outside cooling is required (i.e. it can be mounted into a rack with units above and below it).

# ROLLS

# HR155

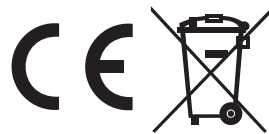
## Rack Mount Speaker Monitor



# ROLLS

### SPECIFICATIONS

Input Impedance:	10K Ohms
THD + Noise:	.05% Typical
Frequency Response:	100 Hz - 20 kHz (+0 / -3 dB)
Voltage Gain:	20 dB line
Current Draw:	500 mA nominal
Connectors:	1 Female XLR, 1/8" TRS, 2 - RCA's DC Power Jack
Supply Voltage:	15 VDC
Size:	7.5" x 3.125" x 1.75"
Weight:	1.25 lbs.
Speaker Size:	(2 speakers) each 2.5" X 1.75"



Rolls Corporation  
Salt Lake City, UT  
09/10

## Quick Start Guide

## INTRODUCTION

Thank you for your purchase of the HR155. This unit is designed and manufactured to monitor sound from any stereo RCA line level output or a single balanced XLR at line level. The front panel stereo 3.5mm (1/8" jack) input provides the final touch which makes the HR155 a valuable tool for any sound reinforcement, recording, or install application that needs to monitor sound from a rack mounted unit.

## INSPECTION

1. Unpack and Inspect the HR155 package.  
Your HR155 was carefully packed at the factory in a protective carton. Nonetheless, be sure to examine the unit and the carton for any signs of damage that may have occurred during shipping. If obvious physical damage is noticed, contact the carrier immediately to make a damage claim. We suggest saving the shipping carton and packing materials for safe transporting the unit in the future.

2. For warranty registration go to our website: [WWW.ROLLS.COM](http://WWW.ROLLS.COM)

## DESCRIPTION

### REAR PANEL

**XLR Input:** XLR balanced input for connection to any standard line level XLR output.

**INPUT:** RCA stereo for connection to any line level RCA output.

**OUT:** RCA pass thru for the HR155. If an input is plugged into the RCA INPUT of the HR155 the OUT is a direct pass thru for the signal eliminating the need for Y type cables in your installation.

**PS15:** Located on the back of the unit is the PS15 power jack for connection to the Rolls PS15 external power supply.

### FRONT PANEL

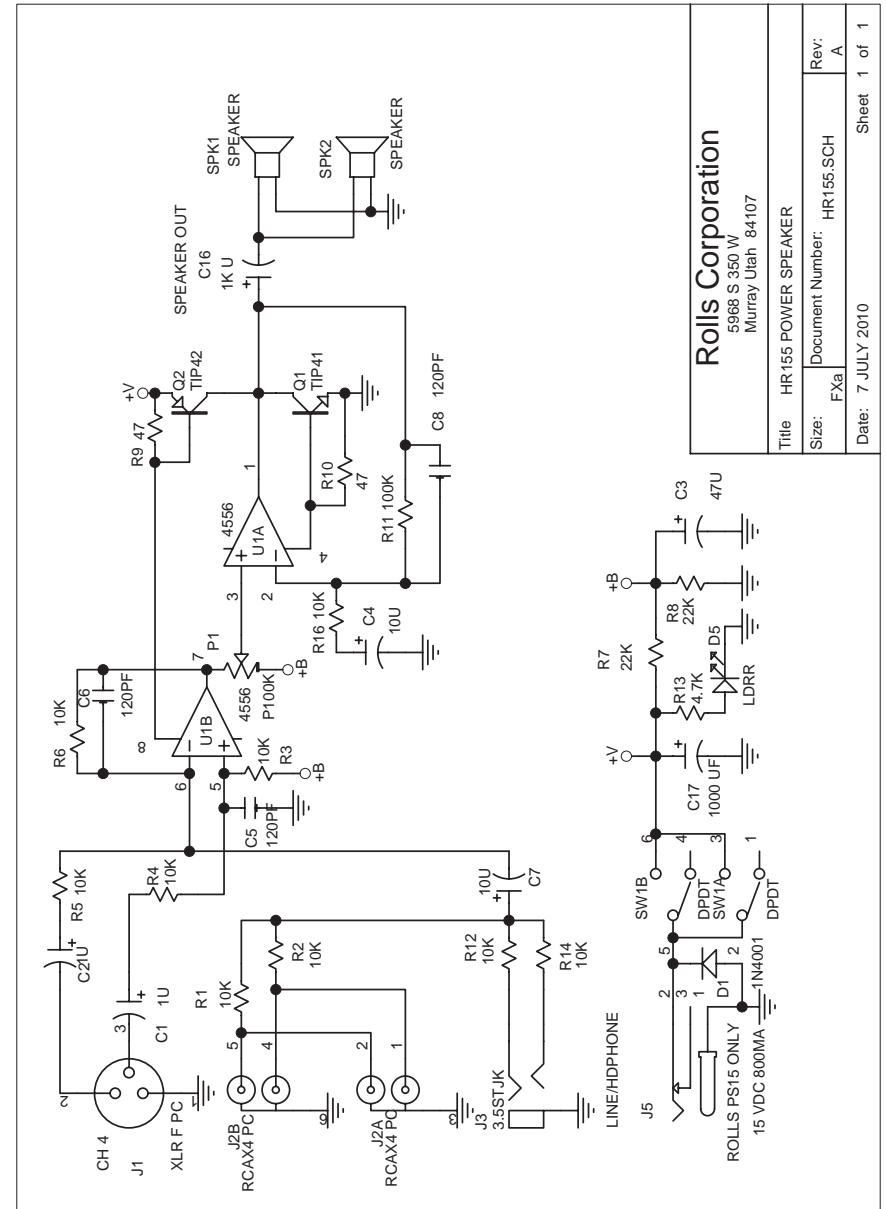
**STEREO IN:** 1/8" TRS jack (3.5mm) stereo for connection to a line level signal.

**VOLUME:** Controls /adjusts the volume level of the HR155.

**POWER:** Turns on and off the power the HR155.

**PWR:** Indicates the HR155 is on.

## SCHEMATIC



## Free Manuals Download Website

<http://myh66.com>

<http://usermanuals.us>

<http://www.somanuals.com>

<http://www.4manuals.cc>

<http://www.manual-lib.com>

<http://www.404manual.com>

<http://www.luxmanual.com>

<http://aubethermostatmanual.com>

Golf course search by state

<http://golfingnear.com>

Email search by domain

<http://emailbydomain.com>

Auto manuals search

<http://auto.somanuals.com>

TV manuals search

<http://tv.somanuals.com>