

INTRODUCTION

The MX22s is a two-channel mixer for mixing a 1/8" line signal such as a wireless microphone, and a stereo RCA signal such as a CD player. The MX22s has enough output to drive a power amplifier directly and is ideal for audio/video applications.

WARRANTY

For complete information on the Rolls 1 Year Warranty, and to register this product, see our website at www.rolls.com.

DESCRIPTION

CH 1 Input: 1/8" stereo jack for receiving line or instrument level signals.

CH 2 Input: Stereo RCA input for receiving line level signals. These signals are mixed to mono.

Line 1 Volume: Controls the level of the signal from Channel 1.

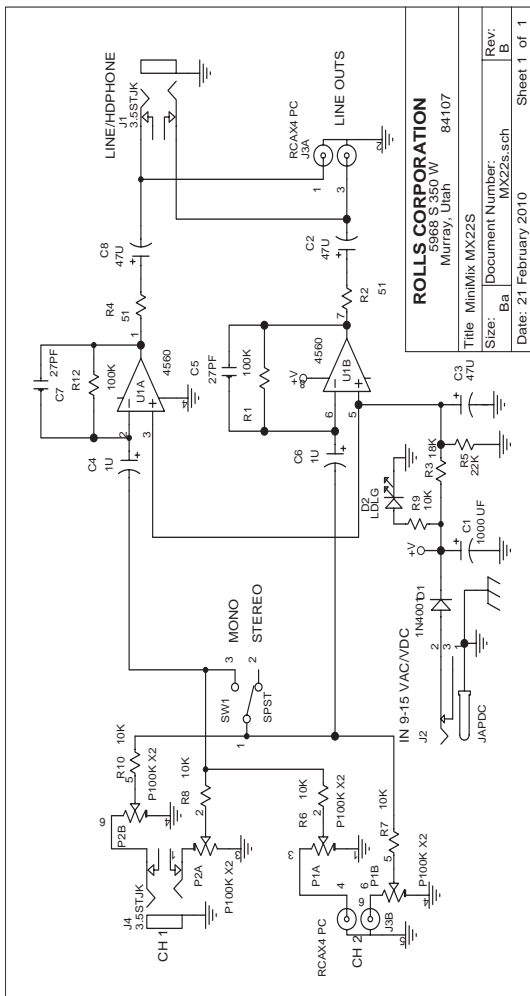
Line 2 Volume: Controls the level of the signal from Channel 2.

Line Outputs: Dual mono RCA and 1/8" jacks for connection to a line input device such as a mixer.

Power Input: For connection to the power supply Rolls PS27.

STEREO/MONO SWITCH: For switching the MX22s from stereo in/out to mono in/out. Units are shipped from the factory in stereo mode.

SCHEMATIC



... anywhere you need to mix a 1/8 inch and
RCA signal together.

ROLLS

- Broadcast
- Install
- Studio

MX22s MINI MIXER

MX22s MiniMix

ROLLS

MX22s 2 Channel Stereo/Mono Mixer

- Mixes 1/8" line level signals with stereo RCA signals
- Individual controls for each signal
- AC adapter included

The MX22s mixes a 1/8" line signal such as a wireless microphone or other line level signal, with a stereo RCA signal like a CD or cassette player. The unit has enough output to drive a power amplifier directly and is ideal for audio visual applications as well.

SPECIFICATIONS

| | |
|----------------------|--|
| CH1 Max Gain: | 32 dB |
| CH2 Max Gain: | 20 dB |
| CH1 Input Impedance: | 10K Ohms |
| CH2 Input Impedance: | 20K Ohms |
| Output Impedance: | 50 Ohms |
| Power: | Rolls PS27 @ 12 VDC 200mA |
| Size: | 2.75" x 2.35" x 1.5" (7 x 6 x 3.8 cm) |
| Weight: | 1lb (.45Kg) |



ROLLS

Rolls Corporation
Salt Lake City, UT
02/10

MX22 MiniMix



6 75889 00022 1

Free Manuals Download Website

<http://myh66.com>

<http://usermanuals.us>

<http://www.somanuals.com>

<http://www.4manuals.cc>

<http://www.manual-lib.com>

<http://www.404manual.com>

<http://www.luxmanual.com>

<http://aubethermostatmanual.com>

Golf course search by state

<http://golfingnear.com>

Email search by domain

<http://emailbydomain.com>

Auto manuals search

<http://auto.somanuals.com>

TV manuals search

<http://tv.somanuals.com>