



MX28 Mini-Mix VI



SPECIFICATIONS

Input Impedance:	10K \bar{w}
Output Impedance:	100 \bar{w}
Max Gain:	+27 dBV
Max Input Level:	+30 dBV
Max Output Level:	+13 dB
Frequency Response:	20Hz - 20kHz +/- 1 dBV
THD + Noise:	<.005%
Power:	12 VDC 150 mA adapter (center negative)
Weight:	1.2 lbs. (.49 Kg)
Size:	4.25" x 1.75" x 4.5" (WXHXD)

LIMITED WARRANTY

This product is warranted to the original consumer purchaser to be free from defects in materials and workmanship under normal installation, use and service for a period of one (1) year from the date of purchase as shown on the purchaser's receipt.

The obligation of Rolls Corporation under this warranty shall be limited to repair or replacement (at our option), during the warranty period of any part which proves defective in material or workmanship under normal installation, use and service, provided the product is returned to Rolls Corporation, TRANSPORTATION CHARGES PREPAID. Products returned to us or to an authorized Service Center must be accompanied by a copy of the purchase receipt. In the absence of such purchase receipt, the warranty period shall be one (1) year from the date of manufacture.

This warranty shall be invalid if the product is damaged as a result of defacement, misuse, abuse, neglect, accident, destruction or alteration of the serial number, improper electrical voltages or currents, repair, alteration or maintenance by any person or party other than our own service facility or an authorized Service Center, or any use violative of instructions furnished by us.

This one-year warranty is in lieu of all expressed warranties, obligations or liabilities. ANY IMPLIED WARRANTIES, OBLIGATIONS, OR LIABILITIES, INCLUDING BUT NOT LIMITED TO THE IMPLIED WARRANTIES OF MERCHANTABILITY AND FITNESS FOR A PARTICULAR PURPOSE, SHALL BE LIMITED IN DURATION TO THE ONE YEAR DURATION OF THIS WRITTEN LIMITED WARRANTY. Some states do not allow limitations on how long an implied warranty lasts, so the above limitation may not apply to you.

IN NO EVENT SHALL WE BE LIABLE FOR ANY SPECIAL, INCIDENTAL OR CONSEQUENTIAL DAMAGES FOR BREACH OF THIS OR ANY OTHER WARRANTY, EXPRESSED OR IMPLIED, WHATSOEVER. Some states do not allow the exclusion or limitation of special, incidental or consequential damages so the above limitation or exclusion may not apply to you. This warranty gives you specific legal rights, and you may also have other rights which vary from state to state.

MX28 MINIMIX VI

- Three stereo inputs - 2: 1/4" unbal per channel.
- Individual 1/4" Right and Left outputs
- Pan control for each channel
- Two Headphone outputs

The MX28 is the ideal mixer for anyone needing to mix up to three stereo signals. Keyboards, stereo guitar effects, even sources like CD players or cassette players can be mixed together maintaining their true stereo separation.



Rolls Corporation
Salt Lake City, UT
9/95



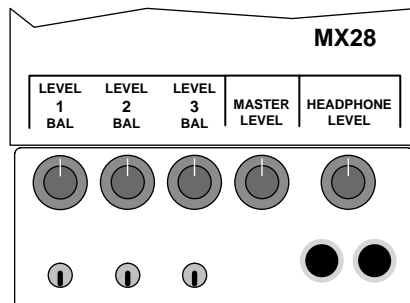
Owners Manual

Thank you for your purchase of the MX28 MiniMix VI. The MX28 is a three channel true stereo mixer designed for keyboard or other stereo line level signal mixing.

INSPECTION

1. Unpack and inspect the MX28 box and package. If obvious physical damage is noticed, contact the carrier immediately to make a damage claim. We suggest saving the shipping carton and packing materials for safely transporting the unit in the future.
2. Please complete the Warranty Registration Card and return it to the factory.

DESCRIPTION FRONT PANEL



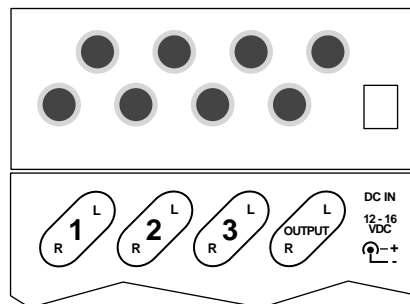
LEVEL 1 - 3: Volume Controls: Adjusts the amount of input signal to the indicated channel.
MASTER LEVEL: Master volume control, adjusts the amount of overall signal sent to the Main Right and Left outputs.
HEADPHONE LEVEL: Adjusts the amount of signal sent to the Head-

phone Output.

PAN 1 - 3: varies the relative amount of right and left signal from the channel to the mix bus.

PHONE OUTS: Two 1/4" TRS Stereo jacks for connection to stereo headphones.

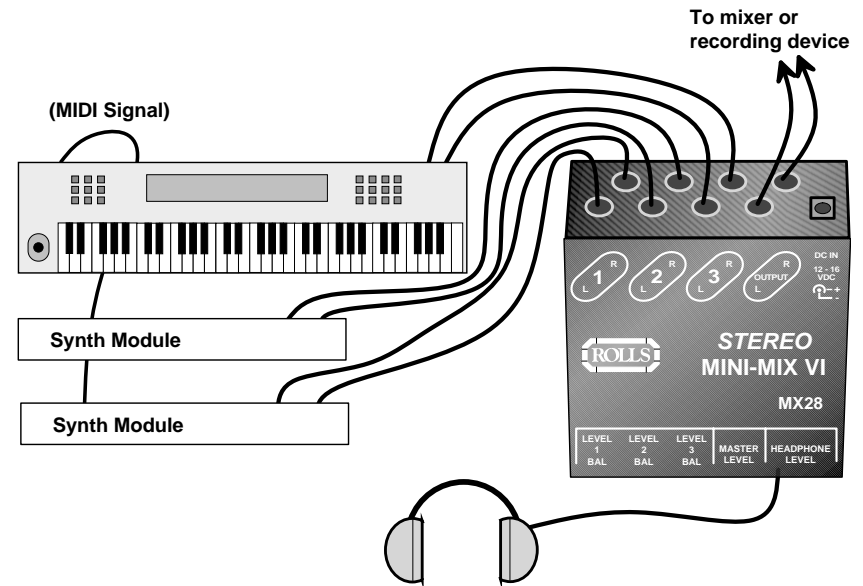
REAR PANEL



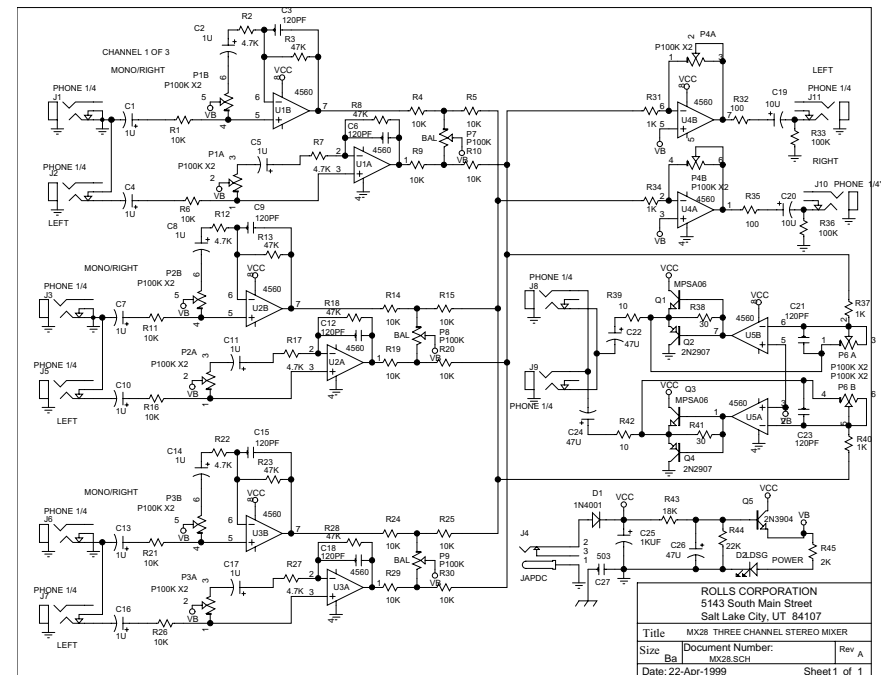
CH 1 - Ch 3 INPUTS: 1/4" unbalanced inputs
 The Right input is the MONO input.
Right and Left MAIN OUTPUTS: 2: 1/4" unbalanced outputs containing the three mixed stereo signals.
DC IN: Power jack - accepts +12 to +16 volts DC (outside of the barrel is positive).

OPERATION

Shown below is an example setup for the MX28. The power adapter is not shown. It should be connected to the proper voltage, grounded AC outlet.



SCHEMATIC



Free Manuals Download Website

<http://myh66.com>

<http://usermanuals.us>

<http://www.somanuals.com>

<http://www.4manuals.cc>

<http://www.manual-lib.com>

<http://www.404manual.com>

<http://www.luxmanual.com>

<http://aubethermostatmanual.com>

Golf course search by state

<http://golfingnear.com>

Email search by domain

<http://emailbydomain.com>

Auto manuals search

<http://auto.somanuals.com>

TV manuals search

<http://tv.somanuals.com>