

ROLLS

RPQ160b

Parametric Equalizer



ROLLS

www.rolls.com

Rolls Corporation
Salt Lake City, UT
06/09

QUICK START OPERATION GUIDE

Thank you for your purchasing the RPQ160 Parametric Equalizer. The RPQ160 uses T filters for equalization circuits to avoid the complexity and distortion of state-variable filters. The RPQ160 is a four-band parametric equalizer designed for years of reliable use. Please read this manual carefully to get the best results from your RPQ160.

INSPECTION

1. Unpack and inspect the RPQ160 box and package.
If obvious physical damage is noticed, contact the carrier immediately to make a damage claim. We suggest saving the shipping carton and packing materials for safely transporting the unit in the future.

SPECIFICATIONS

CONTROLS MAIN SECTION

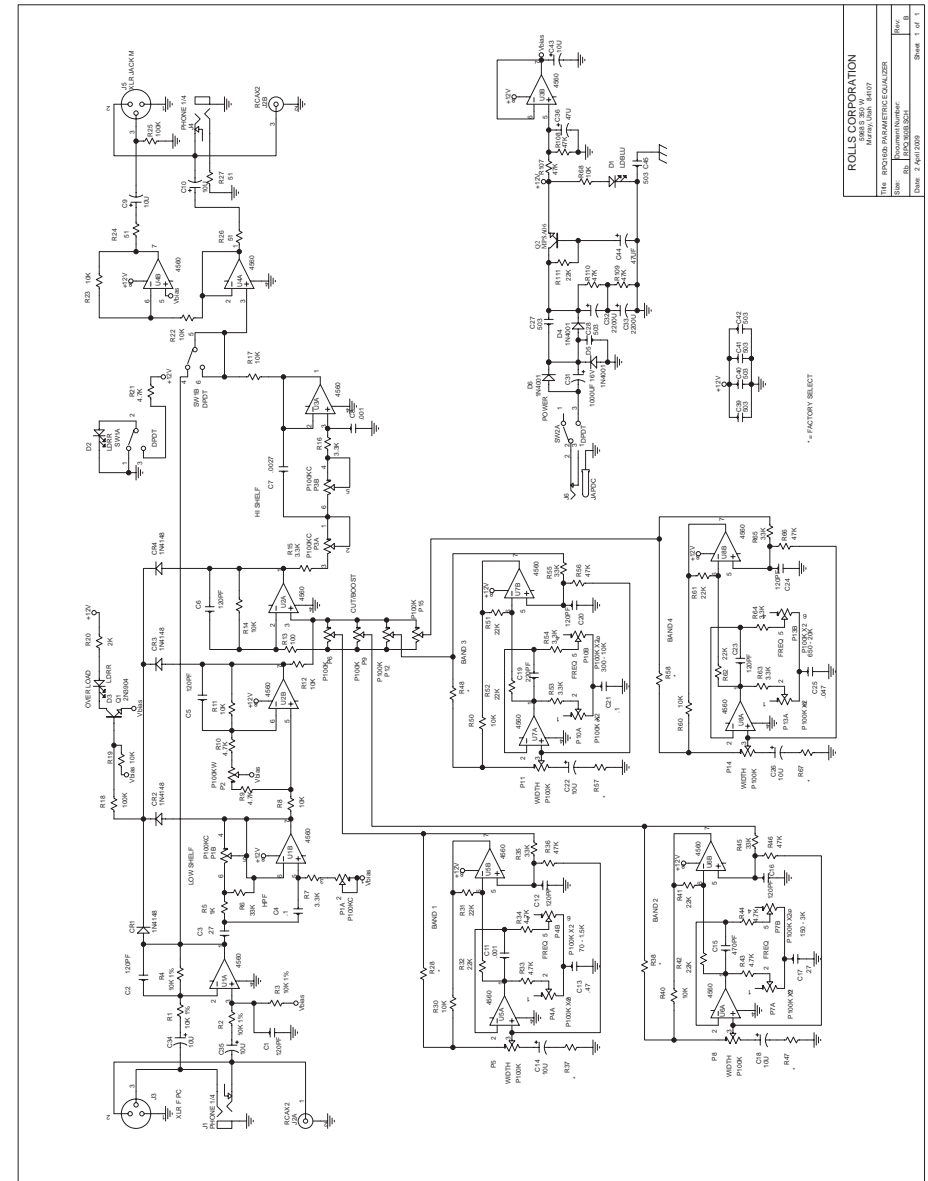
- Master Level: -12 to +12 dB
- Low Shelf: 16 to 500 Hz High-pass filter
- High Shelf: 1 to 30 kHz Low-pass filter
- Active Switch: Activates/bypasses equalization circuitry

CONTROLS FREQUENCY SECTIONS

- Frequency Controls: 70Hz to 1.5kHz
- 150Hz to 3kHz
- 300Hz to 10kHz
- 600Hz to 20kHz
- Width: .3 to 3 Octaves each band
- Level: -15 to +15 dB each band

- Frequency Response: 16 Hz to 30 kHz +/-3 dB
- THD: <.03%
- S/N Ratio: >90 dB
- Max Input: +22 dB
- Max Output: +22 dB
- Input Impedance: 10KΩ (20K balanced)
- Output Impedance: 50Ω
- Shelving Slope: 12 dB / Octave
- Size: 19" x 4" x 1.75"

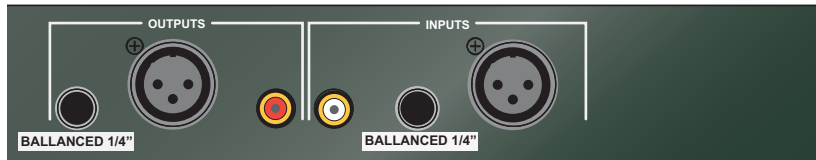
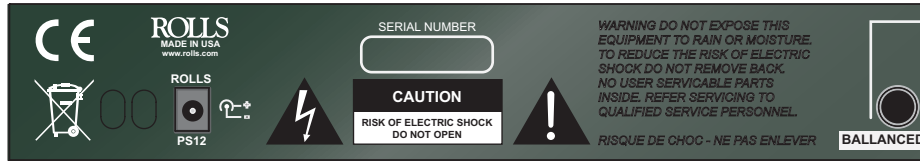
Weight: 4 lbs.



ROLLS CORPORATION
1000 W. 10th Street
Tulsa, Oklahoma 74107
Date: 2-14-1988
Sheet 1 of 1

DESCRIPTION

REAR PANEL



OUTPUT: Balanced XLR and balanced 1/4" and RCA jacks for connection to a mixing board, power amplifier or recording device.

INPUT: Balanced XLR and balanced 1/4" and RCA jacks for connection to the output of a mixing board, instrument, or other device with the signal to be processed.

CONNECTION

Turn off all equipment before making any connections. Mount the RPQ160 in a properly grounded rack, and make sure the rack is properly ventilated. Ambient temperatures should not exceed 113 degrees F (45 degrees C) when the equipment is in use. Connect your RPQ160 using XLR, RCA or 1/4" connectors. Connect the AC power cord to a properly grounded AC outlet. Route the AC power cord away from audio lines.

DESCRIPTION

FRONT PANEL



LOW SHELF: High Pass Filter control; adjusts the amount of low frequency rolloff from 500 Hz down to 16Hz for the entire output of the RPQ160.

HIGH SHELF: Low Pass Filter control; adjusts the amount of high frequency rolloff from 1 kHz up to 20 kHz for the entire output of the RPQ160.

NOTE: THERE IS NO BYPASS SWITCH FOR THE LOW OR HIGH SHELF FILTERS - SIMPLY TURN THE LOW SHELF COMPLETELY COUNTERCLOCKWISE, AND THE HIGH SHELF COMPLETELY CLOCKWISE TO BYPASS THESE CIRCUITS.

LEVEL: Adjusts the overall signal level of the RPQ160.

NOTE: The following three descriptions are identical for all four bands of equalization.

FREQUENCY: Selects the frequency to be boost or cut. The band frequency ranges are listed below:

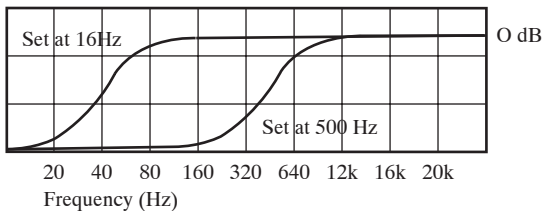
Band 1:	70 Hz to 1.5 kHz
Band 2:	150 Hz to 3 kHz
Band 3:	300 Hz to 10 kHz
Band 4:	600 Hz to 20 kHz

WIDTH: (Q): Varies the shape or width of the equalization being boost or cut from .3 to 3 octaves wide.

LEVEL: Boosts or cuts the signal of the indicated band from -15 to +15 dB.

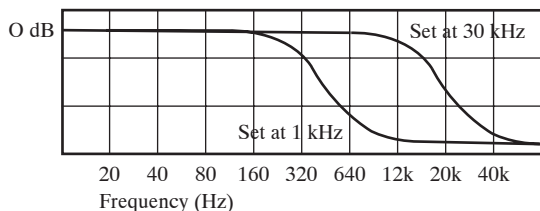
Power Switch: Applies power to the RPQ160 when the unit is connected to a properly grounded ac outlet. The Power LED will light when the RPQ160 is on.

The two shelving filters are designed to roll off the frequency response of the Signal; the Low Shelf cuts the frequencies 3 dB at the control's indicated setting and rolls off below, and the High Shelf cuts the frequencies 3 dB at the indicated setting and rolls off above. The Low Shelf Sweep Diagram shows the response curve of the Low Shelf filter at its minimum and maximum setting.



LOW SHELF SWEEP DIAGRAM

The High Shelf Sweep Diagram shows the response curve of the High Shelf filter at its minimum and maximum setting.



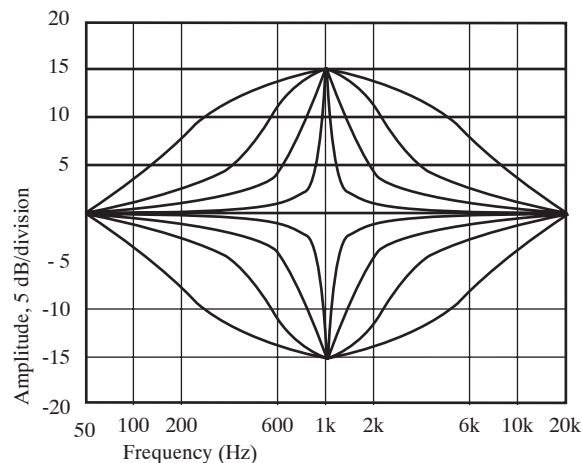
HIGH SHELF SWEEP DIAGRAM

Please note that when the Low Shelf is set fully counterclockwise (16 Hz), the filter is essentially bypassed. Similarly, when the High Shelf control is set fully clockwise (30 kHz), that filter is essentially bypassed.

The Level control has a detente at the center (0 dB) position. If the Clip LED is lighting, the Level control may be turned counterclockwise to reduce the gain of the RPQ160, thereby reducing the clipping. If a weak signal is present, the Level control may be turned up (clockwise) to increase the gain. To achieve the maximum signal to noise ratio, the Level should be set 3 dB below the clipping level. This is done by adjusting the Level control with a normal signal present until the Clip LED lights, then turning the Level down to just below the point when the LED goes out.

Shown below is the typical symmetrical response curve of a swept parametric band filter with the Frequency control set at 1 kHz, the Level set at +15 and -15 dB, and the Octave control set at .3, .5, 1, and 3. These curves remain consistent over the frequency spectrum, they simply shift to whatever frequency setting is indicated by the Frequency control.

The shape is most narrow when the OCT control is set at .3, and is widest at the 3 setting.



APPLICATIONS

The RPQ160's precise equalization has many applications including school or church gymnasiums, home or professional recording studios, live sound, or musical instruments.

When coupled with a spectrum analyzer, the RPQ160 can match exactly the properties of typical acoustic resonances and reflections, and make immediate improvements to any installed system's amplitude and phase response.

Live applications include equalizing trouble spots where a mix may be muddy, too harsh, flat, and even eliminate feedback precisely without affecting the flavor of the overall sound.

Recording studios benefit from the RPQ160's precise equalization in notching out trouble frequencies that need to be removed, or by re-equalizing a final mix

Free Manuals Download Website

<http://myh66.com>

<http://usermanuals.us>

<http://www.somanuals.com>

<http://www.4manuals.cc>

<http://www.manual-lib.com>

<http://www.404manual.com>

<http://www.luxmanual.com>

<http://aubethermostatmanual.com>

Golf course search by state

<http://golfingnear.com>

Email search by domain

<http://emailbydomain.com>

Auto manuals search

<http://auto.somanuals.com>

TV manuals search

<http://tv.somanuals.com>