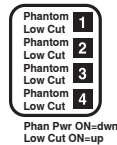


SETTING THE LOW CUT AND PHANTOM POWER SWITCHES

On the left side are the Phantom Power and Low-Cut switches.



As shown here, under each number is a P indicating Phantom Power, and an L which indicates Low-Cut. When the P switch is DOWN, the phantom power is ON, when it is UP, the phantom power is OFF. When the L switch is UP, the low-cut is ON, when it is DOWN, the low-cut is OFF.

LIMITED WARRANTY

This product is warranted to the original consumer purchaser to be free from defects in materials and workmanship under normal installation, use and service for a period of one (1) year from the date of purchase as shown on the purchaser's receipt.

The obligation of Rolls Corporation under this warranty shall be limited to repair or replacement (at our option), during the warranty period of any part which proves defective in material or workmanship under normal installation, use and service, provided the product is returned to Rolls Corporation, TRANSPORTATION CHARGES PRE-PAID. Products returned to us or to an authorized Service Center must be accompanied by a copy of the purchase receipt. In the absence of such purchase receipt, the warranty period shall be one (1) year from the date of manufacture.

This warranty shall be invalid if the product is damaged as a result of defacement, misuse, abuse, neglect, accident, destruction or alteration of the serial number, improper electrical voltages or currents, repair, alteration or maintenance by any person or party other than our own service facility or an authorized Service Center, or any use violative of instructions furnished by us.

This one-year warranty is in lieu of all expressed warranties, obligations or liabilities. ANY IMPLIED WARRANTIES, OBLIGATIONS, OR LIABILITIES, INCLUDING BUT NOT LIMITED TO THE IMPLIED WARRANTIES OF MERCHANTABILITY AND FITNESS FOR A PARTICULAR PURPOSE, SHALL BE LIMITED IN DURATION TO THE ONE YEAR DURATION OF THIS WRITTEN LIMITED WARRANTY. Some states do not allow limitations on how long an implied warranty lasts, so the above limitation may not apply to you.

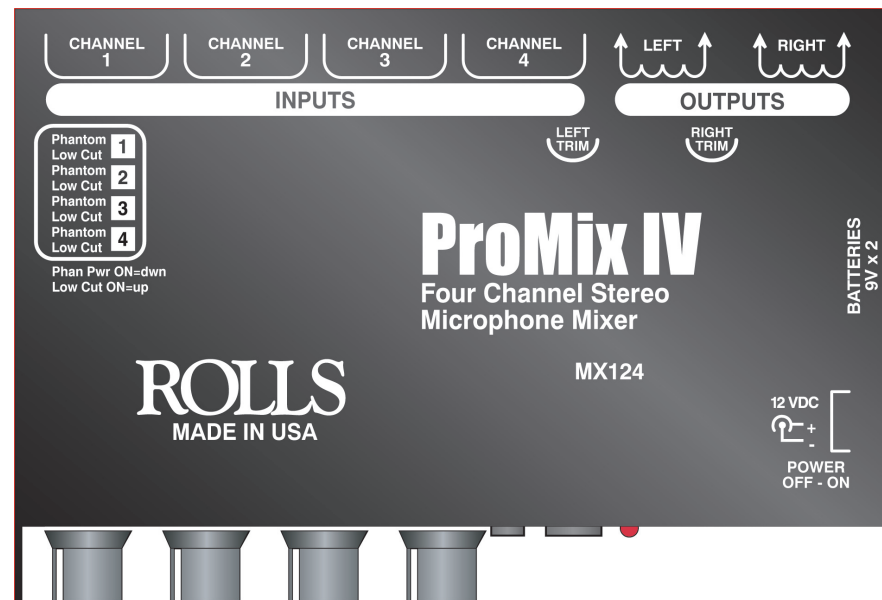
IN NO EVENT SHALL WE BE LIABLE FOR ANY SPECIAL, INCIDENTAL OR CONSEQUENTIAL DAMAGES FOR BREACH OF THIS OR ANY OTHER WARRANTY, EXPRESSED OR IMPLIED, WHATSOEVER. Some states do not allow the exclusion or limitation of special, incidental or consequential damages so the above limitation or exclusion may not apply to you. This warranty gives you specific legal rights, and you may also have other rights which vary from state to state.

ROLLS

ROLLS CORPORATION
SALT LAKE CITY, UTAH
10/05

ROLLS

MX124 ProMix IV



SPECIFICATIONS

Input Impedance:	600 Ohms
Output Impedance:	XLR 600 Ohms, 1/4" and 1/8" 10 Ohms
THD + Noise:	.02%
S/N Ratio:	84 dB
Frequency Response:	25 Hz - 16 kHz (+0 / -3 dB)
Max Output Level:	+ 14 dB
Max Input Level:	-14 dB
Max Gain:	+55 dB
Low Cut:	-3 dB @ 100 Hz
Current Draw:	30 mA
Phantom Power:	+18 VDC
Connectors:	4 Female XLR, 2 Male XLR, 1 1/4" TRS, 1: 1/8" (3.5mm) DC Power Jack (5.5 X 2.1 mm tip negative)
Size:	6.3" w x 3.7" d x 2.3" h
Weight:	1.5 lbs.

OWNERS MANUAL

INTRODUCTION

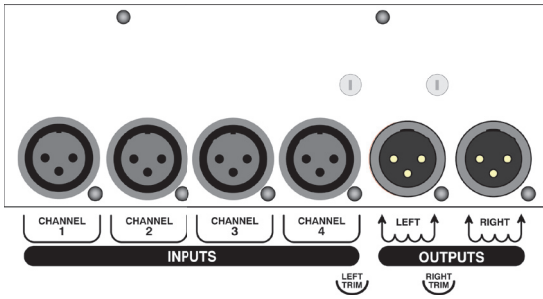
Thank you for your purchase of the MX124 ProMix IV. This unit is designed and manufactured to mix four microphones together and send their combined signals out stereo transformer-balanced XLR outputs, or front panel 1/4" and 1/8" stereo outputs. The individually switchable phantom power and low-cut switches provide the final touches which make the MX124 a valuable tool for any sound reinforcement, musical, recording, or install application.

INSPECTION

1. Unpack and Inspect the MX124 package
Your MX124 was carefully packed at the factory in a protective carton. Nonetheless, be sure to examine the unit and the carton for any signs of damage that may have occurred during shipping. If obvious physical damage is noticed, contact the carrier immediately to make a damage claim. We suggest saving the shipping carton and packing materials for safely transporting the unit in the future.

2. Please visit our website at www.rolls.com, click on the Register Your Warranty Here text and follow the instructions to register your MX124. Or complete the Warranty Registration Card and return it to the factory.

DESCRIPTION REAR PANEL



Mic Input: 1 - 4: XLR balanced inputs for connection to any standard dynamic or condenser microphone.

Right and Left Outputs: Transformer balanced XLR output jacks for connection to the next device in the signal chain such as a signal processor or amplifier.

Right and Left Trim controls: Screwdriver adjustable controls to vary the level of each output. Turning these controls *clockwise* increases the output level. These controls do not effect the Aux/Headphone Output.

FRONT PANEL



Mic Level 1 - 4: These controls adjust the level of the corresponding Mic channel. The level varies from -infinity (off) to max gain.

PAN 1 - 4: Adjusts the relative right/left level of each channel.

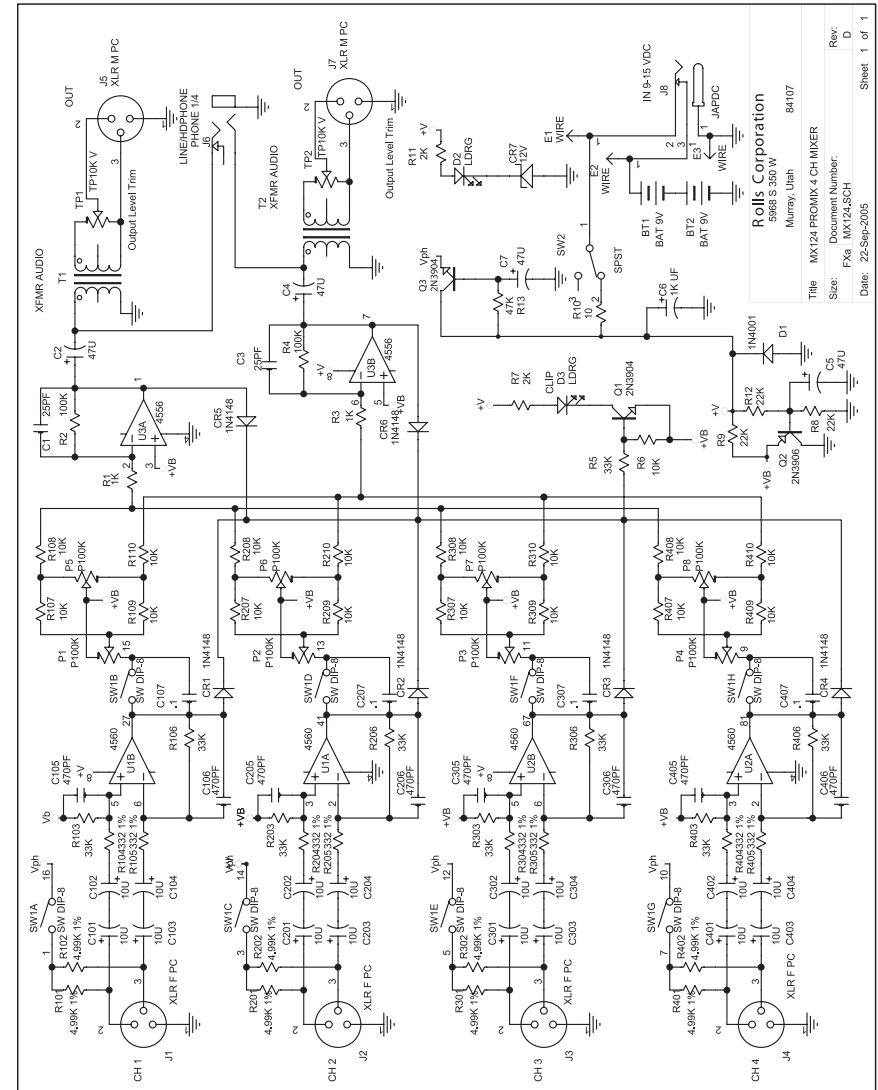
Phone/Aux: 1/4" and 1/8" (3.5mm) TRS jacks which may be connected to a pair of headphones for personal monitoring, or to a stereo unbalanced input of a signal processor, amplifier, or camera.

Clip LED: Indicates that clipping is about to occur or occurring in the MX54s circuitry. This LED begins to light 3dB below actual circuit clipping.

RIGHT HAND SIDE

- Battery compartment which houses two 9-Volt (alkaline recommended) batteries.
- +12 VDC power jack for connection to the Rolls PS27; +12 VDC (outside of the ring is positive) external power supply.
- Power Switch: Applies power to the MX124.

SCHEMATIC



Rolls Corporation
5968 S 350 W
Murray, Utah 84107
Title: MX124 PRO MIX 4 CH MIXER
Size: Document Number: 84107
Date: 22-Sep-2005
Rev: D
Sheet 1 of 1

Free Manuals Download Website

<http://myh66.com>

<http://usermanuals.us>

<http://www.somanuals.com>

<http://www.4manuals.cc>

<http://www.manual-lib.com>

<http://www.404manual.com>

<http://www.luxmanual.com>

<http://aubethermostatmanual.com>

Golf course search by state

<http://golfingnear.com>

Email search by domain

<http://emailbydomain.com>

Auto manuals search

<http://auto.somanuals.com>

TV manuals search

<http://tv.somanuals.com>