

MX44s MINI-MIX IV

4-Channel Stereo Mixer

- Four stereo inputs to one stereo output
- 1/4" and 1/8" TRS Stereo high-impedance inputs
- 1/4" and 1/8" TRS Stereo high-impedance output
- Battery or AC operation

LIMITED WARRANTY

This product is warranted to the original consumer purchaser to be free from defects in materials and workmanship under normal installation, use and service for a period of one (1) year from the date of purchase as shown on the purchaser's receipt.

The obligation of Rolls Corporation under this warranty shall be limited to repair or replacement (at our option), during the warranty period of any part which proves defective in material or workmanship under normal installation, use and service, provided the product is returned to Rolls Corporation, TRANSPORTATION CHARGES PRE-PAID. Products returned to us or to an authorized Service Center must be accompanied by a copy of the purchase receipt. In the absence of such purchase receipt, the warranty period shall be one (1) year from the date of manufacture.

This warranty shall be invalid if the product is damaged as a result of defacement, misuse, abuse, neglect, accident, destruction or alteration of the serial number, improper electrical voltages or currents, repair, alteration or maintenance by any person or party other than our own service facility or an authorized Service Center, or any use violative of instructions furnished by us.

This one-year warranty is in lieu of all expressed warranties, obligations or liabilities. ANY IMPLIED WARRANTIES, OBLIGATIONS, OR LIABILITIES, INCLUDING BUT NOT LIMITED TO THE IMPLIED WARRANTIES OF MERCHANTABILITY AND FITNESS FOR A PARTICULAR PURPOSE, SHALL BE LIMITED IN DURATION TO THE ONE YEAR DURATION OF THIS WRITTEN LIMITED WARRANTY. Some states do not allow limitations on how long an implied warranty lasts, so the above limitation may not apply to you.

IN NO EVENT SHALL WE BE LIABLE FOR ANY SPECIAL, INCIDENTAL OR CONSEQUENTIAL DAMAGES FOR BREACH OF THIS OR ANY OTHER WARRANTY, EXPRESSED OR IMPLIED, WHATSOEVER. Some states do not allow the exclusion or limitation of special, incidental or consequential damages so the above limitation or exclusion may not apply to you. This warranty gives you specific legal rights, and you may also have other rights which vary from state to state.

MX44s Active Mixer



6 75889 00044 3

ROLLS

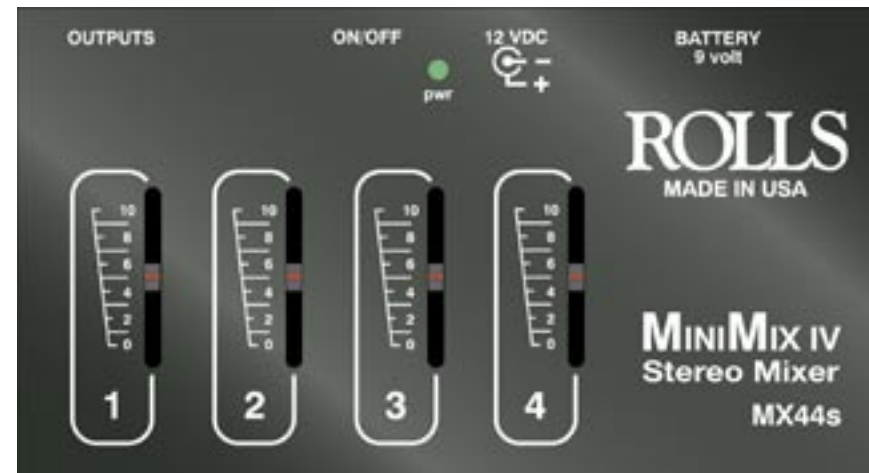
Rolls Corporation
Salt Lake City, UT
1/06



ROLLS

MX44s

4-CHANNEL STEREO MIXER



SPECIFICATIONS

Input Impedance:	10K Ohm
Output Impedance:	50 Ohm
Gain:	30 dB
Connectors:	Input: 4 ea.; 1/4" and 1/8" (3.5mm) unbal. Output: 1 ea.; 1/4" and 1/8" (3.5mm) unbal.
Power:	9V battery, or Rolls PS27 12VDC adapter 12 VDC 100mA (optional)
Size:	6"w x 3.25"h x 1.25"d
Weight:	1.5lb (.5Kg)

Owners Manual

INTRODUCTION

Thank you for your purchase of the MX44s 4 Channel Stereo Mixer. This unit is designed to mix up to four stereo line-level signals such as instruments, CD players, DVD players, MP3 players, laptop computers, etc. to a single stereo output.

WARRANTY REGISTRATION

For complete warranty information, please visit our website at www.rolls.com and click on the "Register Your Warranty Here" text, and follow the link and instructions.

DESCRIPTION



REAR PANEL

OUTPUTS: 1/4" and 1/8" (3.5 mm) Tip-Ring-Sleeve jack for connection to a mixer input, amplifier or other input device.

ON/OFF: Latching push button switch for applying power to the MX44s.

12 VDC: Power jack - connects to the Rolls PS27 AC adapter.

BATTERY: Removable compartment for housing a 9 volt alkaline battery.

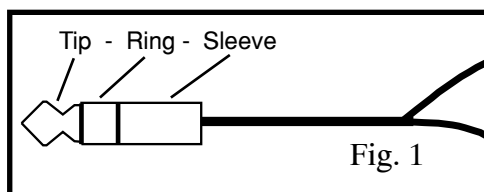
TOP PANEL

pwr: LED - Indicates that the MX44s is connected to a power source, and the unit is on.

1 - 4: Volume controls - adjust the level of the signals coming from Inputs 1 - 4.

FRONT PANEL

IN 1 - 4: 1/4" and 1/8" (3.5mm) Tip-Ring-Sleeve stereo unbalanced jacks for connection to line level devices.



OPERATION

To connect various devices to the MX44s, you'll need the proper cables.

- Connecting most CD, Cassete, and Video units will require a stereo RCA to stereo 1/4" or 1/8" (3.5mm) cable. A stereo plug consists of tip, ring and sleeve connections - shown in Fig. 1.

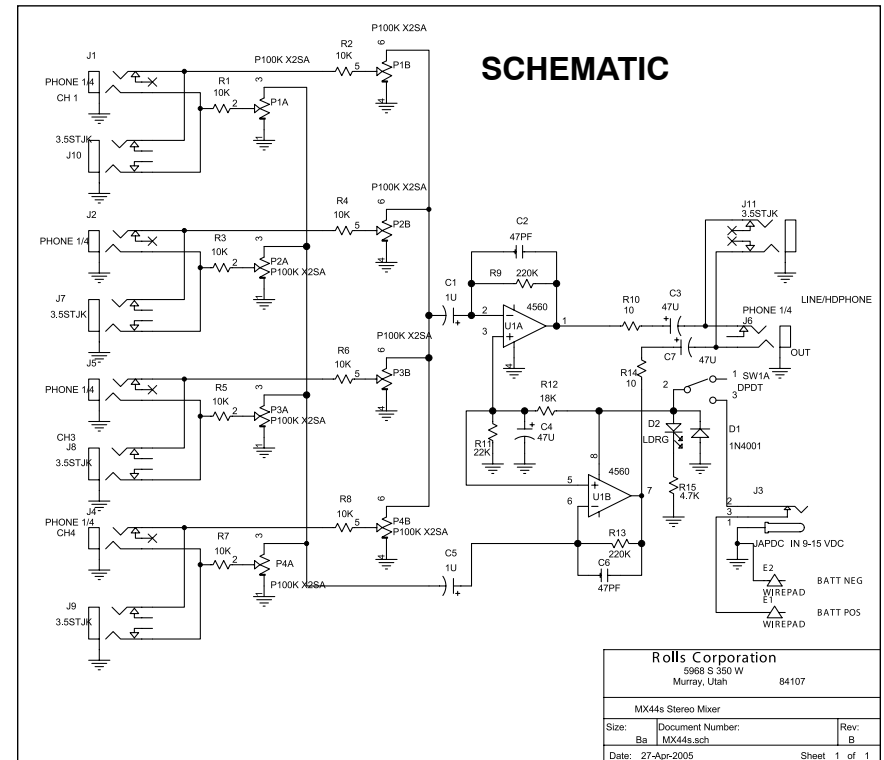
- Most stereo instruments have individual Right and Left outputs. Therefore, you'll need an "Insert" type cable. This cable has two 1/4" Tip-Sleeve jacks on one end to connect to the stereo instrument, and a Tip-Ring-Sleeve stereo jack on the other end to connect to the MX44s. For assistance on cable selection, contact your local professional audio dealer.

- Some devices have stereo 1/4" outputs identical to the inputs of the MX44s. These devices will require a 1/4" TRS stereo to 1/4" or 1/8" TRS stereo cable.

NOTE: PLUGGING A TIP-SLEEVE MONO PLUG INTO THE MX44s WILL NOT DAMAGE THE UNIT. HOWEVER, THE SIGNAL WILL BE HEARD ON ONLY THE LEFT SIDE. DO NOT PLUG A MONO JACK INTO EITHER OUTPUT - THIS WILL DAMAGE THE UNIT.

TO SEND A MONO SIGNAL TO THE MX44s, USE A TRS JACK WITH THE TIP AND RING CONNECTED TOGETHER.

While the MX44s is not a headphone amplifier, the outputs have sufficient level drive a pair of headphones or earphones for limited monitoring.



Free Manuals Download Website

<http://myh66.com>

<http://usermanuals.us>

<http://www.somanuals.com>

<http://www.4manuals.cc>

<http://www.manual-lib.com>

<http://www.404manual.com>

<http://www.luxmanual.com>

<http://aubethermostatmanual.com>

Golf course search by state

<http://golfingnear.com>

Email search by domain

<http://emailbydomain.com>

Auto manuals search

<http://auto.somanuals.com>

TV manuals search

<http://tv.somanuals.com>