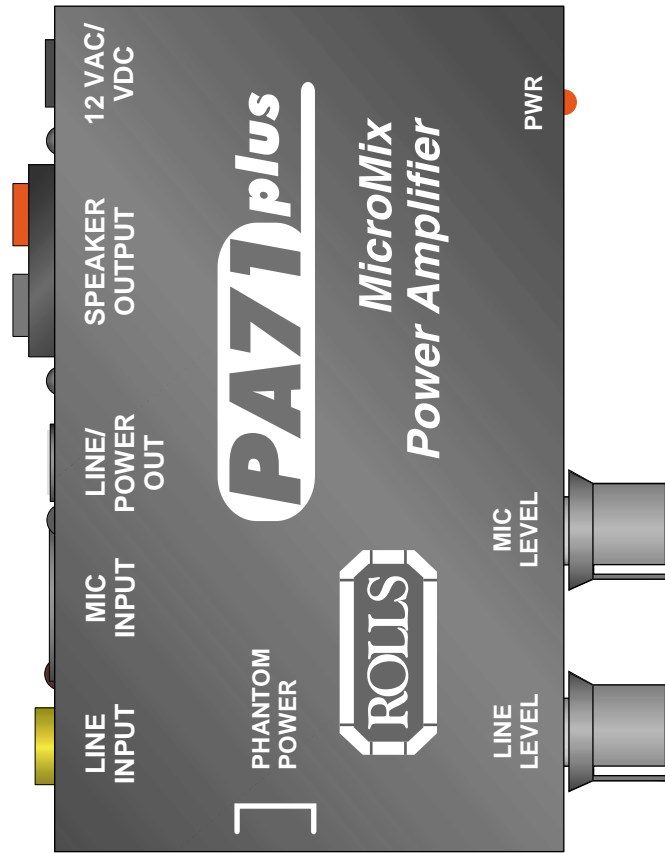


# PA71PLUS MicroMix Power Amplifier



Owners Manual

## LIMITED WARRANTY

This product is warranted to the original consumer purchaser to be free from defects in materials and workmanship under normal installation, use and service for a period of one (1) year from the date of purchase as shown on the purchaser's receipt.

The obligation of Rolls Corporation under this warranty shall be limited to repair or replacement (at our option), during the warranty period of any part which proves defective in material or workmanship under normal installation, use and service, provided the product is returned to Rolls Corporation, TRANSPORTATION CHARGES PREPAID. Products returned to us or to an authorized Service Center must be accompanied by a copy of the purchase receipt. In the absence of such purchase receipt, the warranty period shall be one (1) year from the date of manufacture.

This warranty shall be invalid if the product is damaged as a result of defacement, misuse, abuse, neglect, accident, destruction or alteration of the serial number, improper electrical voltages or currents, repair, alteration or maintenance by any person or party other than our own service facility or an authorized Service Center, or any use violative of instructions furnished by us.

This one-year warranty is in lieu of all expressed warranties, obligations or liabilities. ANY IMPLIED WARRANTIES, OBLIGATIONS, OR LIABILITIES, INCLUDING BUT NOT LIMITED TO THE IMPLIED WARRANTIES OF MERCHANTABILITY AND FITNESS FOR A PARTICULAR PURPOSE, SHALL BE LIMITED IN DURATION TO THE ONE YEAR DURATION OF THIS WRITTEN LIMITED WARRANTY. Some states do not allow limitations on how long an implied warranty lasts, so the above limitation may not apply to you.

IN NO EVENT SHALL WE BE LIABLE FOR ANY SPECIAL, INCIDENTAL OR CONSEQUENTIAL DAMAGES FOR BREACH OF THIS OR ANY OTHER WARRANTY, EXPRESSED OR IMPLIED, WHATSOEVER. Some states do not allow the exclusion or limitation of special, incidental or consequential damages so the above limitation or exclusion may not apply to you. This warranty gives you specific legal rights, and you may also have other rights which vary from state to state.

## PA71PLUS MicroMix Power Amplifier

- RCA Inputs
- XLR Mic Input
- Spring-loaded output
- Low noise, efficient operation

The PA71 Plus mixes an unbalanced line level signal with a mic signal to a powered 1/4" or speaker terminal outputs. The unit is perfect for small speakers in small environments.



Salt Lake City, Utah  
7/01

## INTRODUCTION

Thank you for your purchase of the PA71 Plus MicrMix Power Amplifier. This unit mixes a stereo RCA signal with a microphone to a 1/4" line level output and a powered spring loaded speaker output. The unit for powering small speakers in small environments. The 1/4" output is specially designed to power stereo headphones.

## DESCRIPTION

### REAR PANEL

LINE INPUT: RCA line level inputs (mixed to mono)

MIC INPUT: Balanced XLR input for connection to a dynamic or condenser microphone.

LINE/POWER OUT: 1/4" TRS output for connection to another amplifier, or a pair of standard headphones.

SPEAKER OUTPUT: Spring-loaded terminals - the red terminal is positive and the black one is negative.

12VAC/VDC: For connection to the power supply.

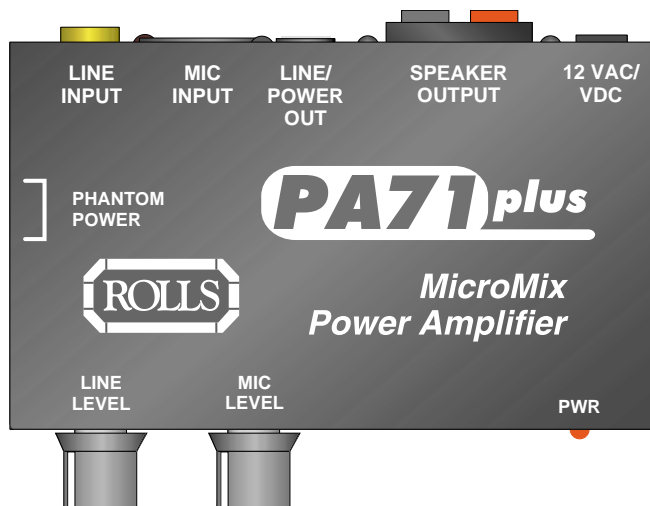
### SIDE PANEL

PHANTOM POWER: Jumper pin for connecting 12 volts of phantom power to the Mic Input.

### FRONT PANEL

LINE LEVEL: Adjusts the level of signal from the Line Input to the Line/Power and Speaker outputs.

MIC LEVEL: Adjusts the level of signal from the Line Input to the Line/Power and Speaker outputs.



## CONNECTION / OPERATION

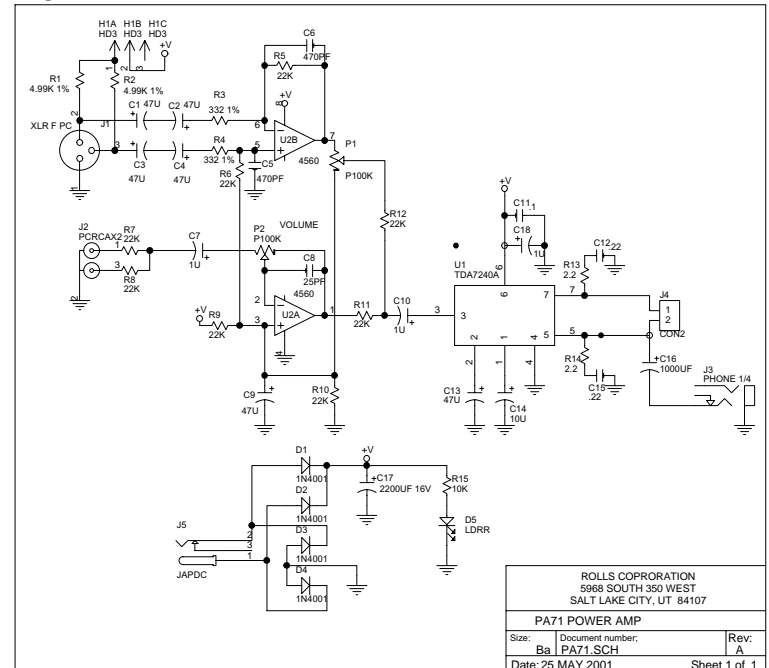
Connect input sources such as CD players or cassette players to the RCA inputs, connect a microphone to the balanced XLR Mic Input. If the microphone is a condenser type, move the Phantom Power jumper to connect the indicated pins.

**WARNING: DO NOT GROUND THE SPEAKER OUTPUT TERMINALS. THE SPEAKER TERMINALS ARE NOT AT GROUND POTENTIAL.**

## SPECIFICATIONS

Line Input Impedance:	47K $\Omega$
Mic Input Impedance:	600 $\Omega$
Phantom Power Voltage:	12 V
Power Output:	5 Watts (8 Ohms)
Voltage Gain:	40 dB
Maximum Supply Voltage:	18 VDC
THD:	.05% typical
EIN:	3 mV
Efficiency:	65%
Input Sensitivity:	28 mV
Bandwidth:	20Hz - 25 kHz
Size:	4.25" x 2.375" x 1.5"
Weight:	1 lb.

## SCHEMATIC



## Free Manuals Download Website

<http://myh66.com>

<http://usermanuals.us>

<http://www.somanuals.com>

<http://www.4manuals.cc>

<http://www.manual-lib.com>

<http://www.404manual.com>

<http://www.luxmanual.com>

<http://aubethermostatmanual.com>

Golf course search by state

<http://golfingnear.com>

Email search by domain

<http://emailbydomain.com>

Auto manuals search

<http://auto.somanuals.com>

TV manuals search

<http://tv.somanuals.com>