

with a stereo or mono line level signal.

... anywhere you need to mix a mic

ROLLS

- Broadcast

- Live

- Studio

PM50s PERSONAL MONITOR

Monitor Amplifier

PM50s Personal

ROLLS

PM50s Personal Monitor Amplifier

The PM50 is the "more me" box. It allows you to mix a mic signal and a stereo OR mono line level monitor signal, and hear them via headphones or earphones.

- XLR Mic In & Pass Thru
- Ground Lift on XLR Thru
- Mono or Stereo 1/4" Monitor Input
- 1/4" and 1/8" Phone Outputs
- Lots of output level, it's loud.



Rolls Corporation
Salt Lake City, UT
2/03



INTRODUCTION

Thank you for your purchase of the PM50s Stereo Personal Monitor Amplifier. This unit is a unique device for monitoring ones self and program material at the same time. It has a monitor level control and a mic level control, a mic pass-through XLR jack, 1/4" and 1/8" phone jacks, and a switchable mono/stereo 1/4" monitor input jack. The Mic In and Thru has a switchable ground lift for ellimination of ground loops.

The PM50 is designed for performers who need to monitor their own signal, such as their vocals, with the main mix. It has become very popular with drummers who need to mix a click track with a monitor signal. Church choir singers love the PM50 to monitor their voices over the musicians. And many sound technicians use the PM50 as a quick line tester to troubleshoot audio systems.

For warranty information including product registration, see our website at www.rolls.com.

Also included on the website are application notes and connection diagrams for the PM50s as well as the PM52, PM50sOB and PM351.

DESCRIPTION

MIC THRU: XLR jack paralleled (hard-wired) to the MIC INPUT jack for pass-through to a mixer or other input device.

MIC INPUT: XLR balanced jack for connection to a condenser or dynamic microphone.

gnd/lift: Header jumper for connecting or disconnecting the XLR ground (pin 1) to cassis ground. The PM50s is configured at the factory with pin 1 connected to ground.

MONITOR INPUT: 1/4" TRS stereo jack for connection to a line source such as a mixer monitor/auxiliary output, cassette player output, CD player output etc.

stereo/mono: Header jumper to configure the Monitor input for TRS stereo or TS mono operation. The PM50s is configured at the factory in stereo mode.

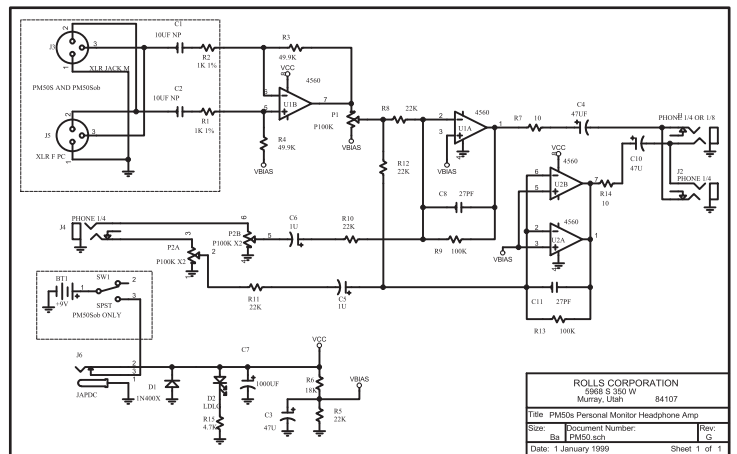
9 - 17 VAC/DC: For connection to the external AC power adapter.

MONITOR VOLUME: Adjusts the level of the incoming signal from the Monitor Input.

MIC VOLUME: Adjusts the level of signal coming from the MIC INPUT.

HEADPHONE OUTPUTS: Two 1/4" Stereo jacks for connection to stereo headphones.

Schematic



SPECIFICATIONS

Max Input Level: -20 dB XLR, 40 dB monitor

Output Impedance: 10 Ohms

Gain: 15 dB 1/4", 50 dB XLR

Bandwidth: 20 - 20 kHz

S/N Ratio: 90 dB

Power: 9 - 18 VAC/DC

Size: 3" x 2.5" x 1.25" (7.6 x 6 x 3.2 cm)

Weight: 1 lb (.45 Kg)

Free Manuals Download Website

<http://myh66.com>

<http://usermanuals.us>

<http://www.somanuals.com>

<http://www.4manuals.cc>

<http://www.manual-lib.com>

<http://www.404manual.com>

<http://www.luxmanual.com>

<http://aubethermostatmanual.com>

Golf course search by state

<http://golfingnear.com>

Email search by domain

<http://emailbydomain.com>

Auto manuals search

<http://auto.somanuals.com>

TV manuals search

<http://tv.somanuals.com>