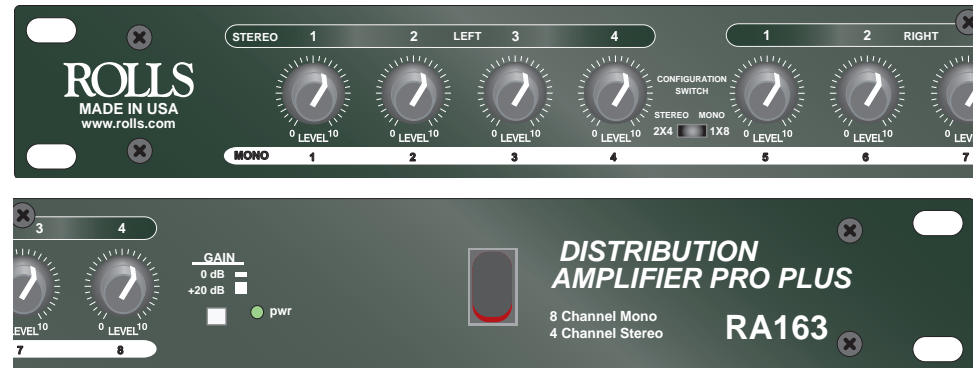


# ROLLS

## RA163

### DISTRIBUTION AMPLIFIER



#### FEATURES

- Stereo 4 channel or Mono 8 channel audio distribution
- Front panel volume controls
- Balanced inputs and outputs

#### SPECIFICATIONS

Input Impedance:	20 K $\Omega$ Balanced
Max Input Level:	+22 dBV
Output Impedance:	100 $\Omega$ Balanced
Max Output Level:	+24 dB
Max Gain:	20 dB
S/N Ratio:	>90 dB
Frequency Response:	10 Hz - 40 kHz, +/- 1 dB
THD:	<.008%
Power:	120 VAC 50-60 Hz, 15VA
Size:	19" x 1.75" x 6.5" (48 x 4.5 x 17 cm)
Weight:	7 lbs. (3 kg)

# ROLLS

ROLLS CORPORATION  
SALT LAKE CITY, UTAH

08/09

Quick Start Operation Guide

# INTRODUCTION

Thank you for your purchase of the ROLLS RA163 Distribution Amplifier. This unit will distribute a mono signal to eight outputs, or a stereo signal to four right and four left outputs. The outputs are designed to drive high-level balanced lines in a sound distribution system.

**NOTE: THIS MANUAL ASSUMES THE USER HAS A BASIC WORKING KNOWLEDGE OF AUDIO ELECTRONICS, BALANCED AND UNBALANCED CONNECTIONS, AND PROPER SIGNAL LEVEL SETTING.**

## DESCRIPTION FRONT PANEL



**Mono 1 - 8 / Stereo 1 - 4:** These volume controls vary the level of signal for each indicated output.

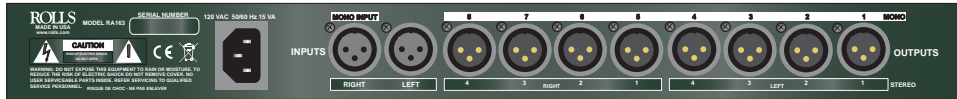
**+20dB/0dB Gain switch:** Depressing this switch provides 20 dB of gain to the input signal.

**pwr:** LED indicating the unit's power status.

## STEREO/MONO CONFIGURATION

Use the 2X4 - 1X8 switch to change the stereo/mono configuration of the RA163. Follow the silk screening on the unit for proper connection.

## REAR PANEL



**120 VAC 50/60 HZ 15 VA:** IEC Power Connector - Connect to the power cord, and to a properly grounded AC source.

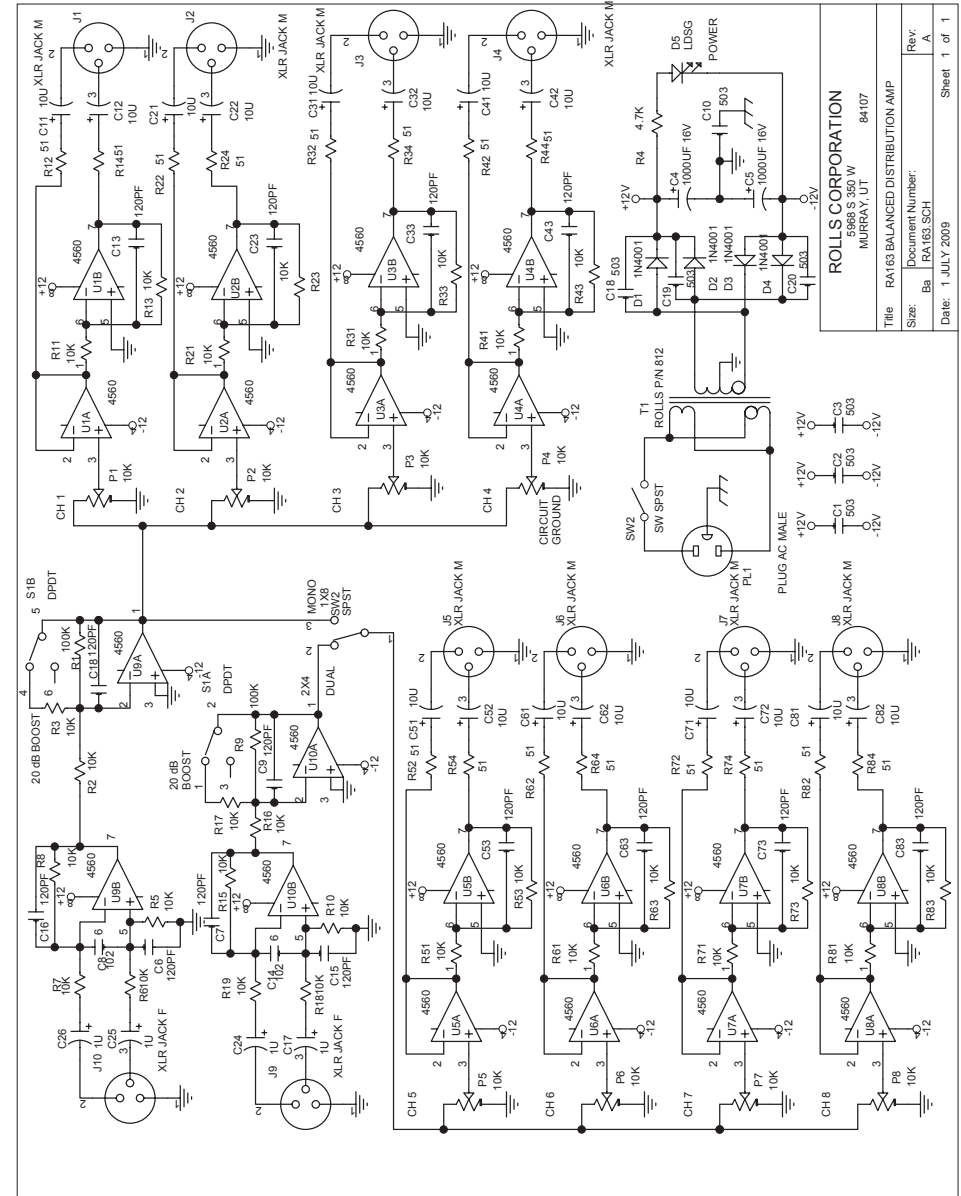
**INPUTS Right/Mono and Left:** Balanced XLR jacks.

**MONO 1 - 8, STEREO 1 - 4:** Balanced XLR output jacks.

# INSTALLATION

Install the RA163 in a standard 19" rack. The unit is intended for installations where several zones or areas need to be controlled and a high level balanced signal is required to drive the input lines.

## SCHEMATIC



<b>ROLLS CORPORATION</b>	
5988 S. 350 W.	
MURRAY, UT 84107	
Title	RA163 BALANCED DISTRIBUTION AMP
Size	Document Number: 84107
Rev.	Ba RA163.SCH
Date:	1 JULY 2009
Sheet	1 of 1

## Free Manuals Download Website

<http://myh66.com>

<http://usermanuals.us>

<http://www.somanuals.com>

<http://www.4manuals.cc>

<http://www.manual-lib.com>

<http://www.404manual.com>

<http://www.luxmanual.com>

<http://aubethermostatmanual.com>

Golf course search by state

<http://golfingnear.com>

Email search by domain

<http://emailbydomain.com>

Auto manuals search

<http://auto.somanuals.com>

TV manuals search

<http://tv.somanuals.com>