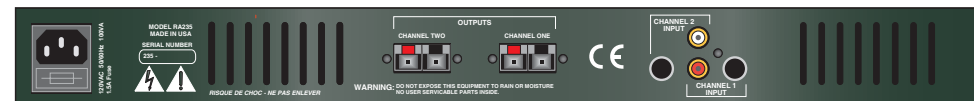


# ROLLS

## RA235 STEREO 35 WATT POWER AMPLIFIER



## INTRODUCTION

Thank you for your purchase of the ROLLS RA235 35 Watt Power Amplifier. The RA235 is a virtually indestructible single rack space amplifier intended for musicians and studio owners alike. The unit is ideal for home studio applications or wherever a clean, efficient, medium wattage amp is required. Please read the following manual carefully to achieve the best results from this product.

## DESCRIPTION

### FRONT PANEL

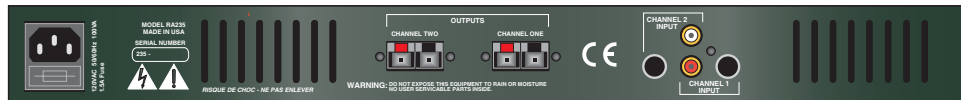


**VOLUME 1 / VOLUME 2:** This control adjusts the output level of the corresponding channel.

**PWR:** LED indicating the unit's power status.

**CLIP:** These LEDs light in the event of overload in the corresponding channel.

### REAR PANEL



**120 VAC 50/60 HZ 15 VA:** IEC Power Cord. Connect to a properly grounded AC source. **NOTE: REPLACE THE FUSE WITH ONLY THE PROPER RATED FUSE. INSTALLING A FUSE OTHER THAN THE RECOMMENDED RATING WILL DAMAGE THE UNIT.**

**Outputs:** Spring loaded terminals to be connected to 8 Ohms speaker loads only.

**MAIN INPUTS:** 1/4" and RCA jacks to be connected to line level signals to be amplified. *Note: Do not directly connect the output of a phono player as those devices require special equalization.*

For MONO operation, plug one RCA connector between the two RCA jacks. Either Channel One or Channel Two 1/4" inputs may be used as the MONO input.

### BURN WARNING!

**THE FRONT PANEL OF THE RA235 IS THE HEAT DISTRIBUTION FOR THE OUTPUT STAGES. IF THE UNIT IS OPERATED AT HIGH VOLUMES, IT MAY GET HOT.**

## INSTALLATION

Mount the RA235 in a safe and sturdy rack. Connect the output of the signal source to the selected input of the RA235, and connect the Outputs to your speakers.

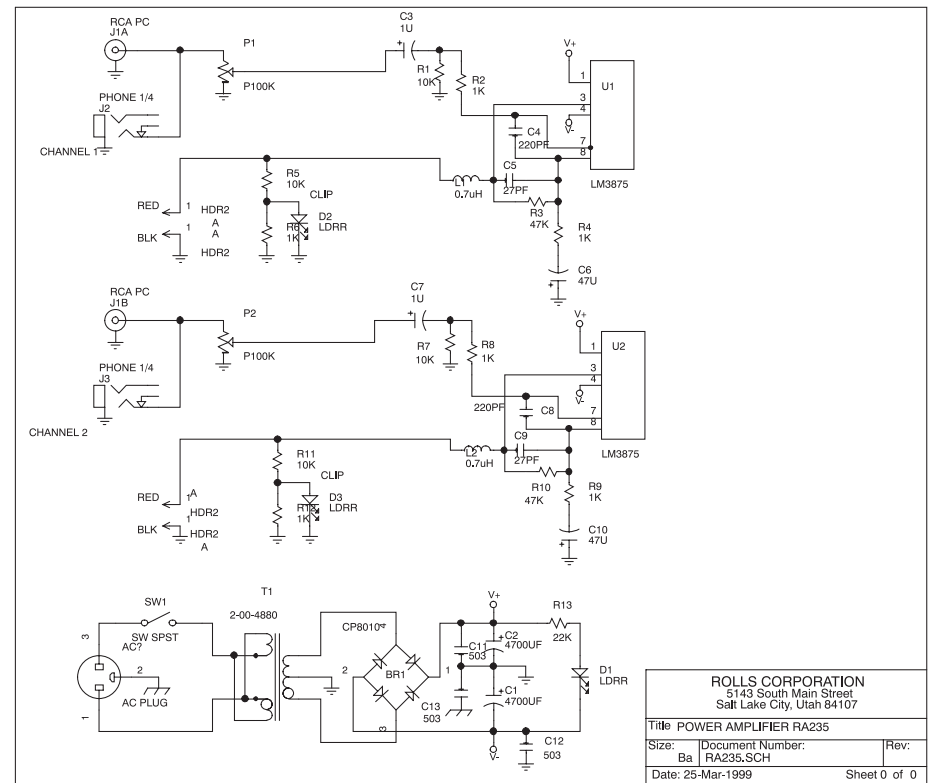
Plug the AC cord into a properly grounded AC outlet.

Send signal to the RA235 and adjust the VOLUME controls for a comfortable listening level.

## SPECIFICATIONS

Recommended Load:	8 Ohms minimum
Frequency Response:	5 Hz to 40 kHz
Equiv. Input Noise:	100 microVolt typical, A weighted 600 Ohm input
S/N Ratio:	114 dB @ 35 Watts
Gain:	34 dB
Input Impedance:	47 k Ohms
Size (W x H x D):	19" x 1.75" x 5" (48 x 4.5 x 12.7)
Weight:	5.5 lbs (2.5 kg)

## SCHEMATIC



## Free Manuals Download Website

<http://myh66.com>

<http://usermanuals.us>

<http://www.somanuals.com>

<http://www.4manuals.cc>

<http://www.manual-lib.com>

<http://www.404manual.com>

<http://www.luxmanual.com>

<http://aubethermostatmanual.com>

Golf course search by state

<http://golfingnear.com>

Email search by domain

<http://emailbydomain.com>

Auto manuals search

<http://auto.somanuals.com>

TV manuals search

<http://tv.somanuals.com>