

LIMITED WARRANTY

This product is warranted to the original consumer purchaser to be free from defects in materials and workmanship under normal installation, use and service for a period of one (1) year from the date of purchase as shown on the purchaser's receipt.

The obligation of Rolls Corporation under this warranty shall be limited to repair or replacement (at our option), during the warranty period of any part which proves defective in material or workmanship under normal installation, use and service, provided the product is returned to Rolls Corporation, TRANSPORTATION CHARGES PRE-PAID. Products returned to us or to an authorized Service Center must be accompanied by a copy of the purchase receipt. In the absence of such purchase receipt, the warranty period shall be one (1) year from the date of manufacture.

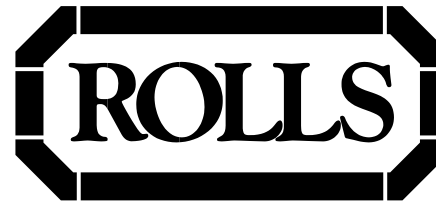
This warranty shall be invalid if the product is damaged as a result of defacement, misuse, abuse, neglect, accident, destruction or alteration of the serial number, improper electrical voltages or currents, repair, alteration or maintenance by any person or party other than our own service facility or an authorized Service Center, or any use violative of instructions furnished by us.

This one-year warranty is in lieu of all expressed warranties, obligations or liabilities. ANY IMPLIED WARRANTIES, OBLIGATIONS, OR LIABILITIES, INCLUDING BUT NOT LIMITED TO THE IMPLIED WARRANTIES OF MERCHANTABILITY AND FITNESS FOR A PARTICULAR PURPOSE, SHALL BE LIMITED IN DURATION TO THE ONE YEAR DURATION OF THIS WRITTEN LIMITED WARRANTY. Some states do not allow limitations on how long an implied warranty lasts, so the above limitation may not apply to you.

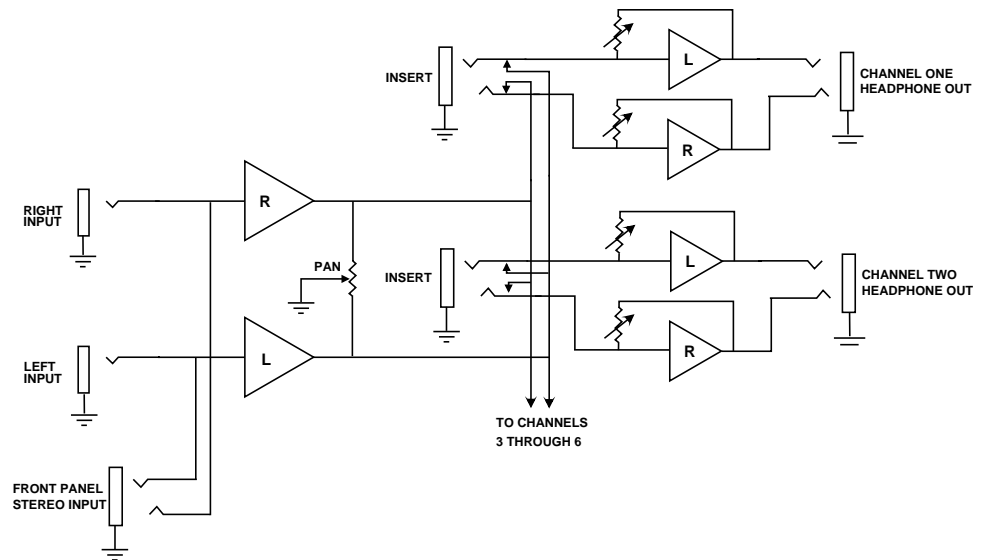
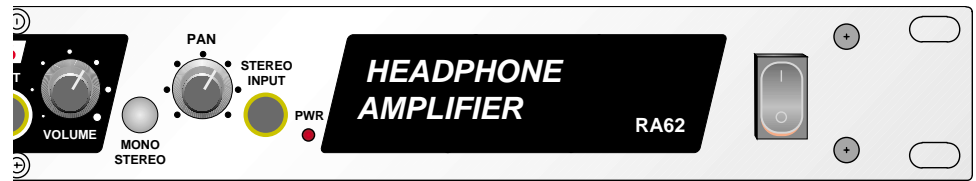
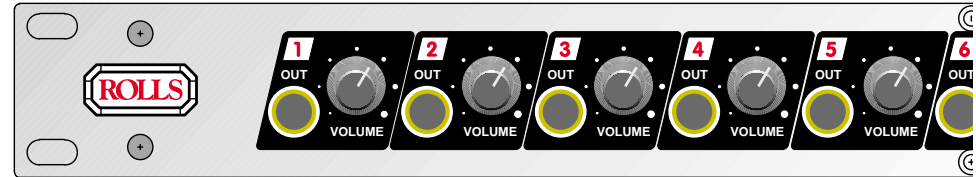
IN NO EVENT SHALL WE BE LIABLE FOR ANY SPECIAL, INCIDENTAL OR CONSEQUENTIAL DAMAGES FOR BREACH OF THIS OR ANY OTHER WARRANTY, EXPRESSED OR IMPLIED, WHATSOEVER. Some states do not allow the exclusion or limitation of special, incidental or consequential damages so the above limitation or exclusion may not apply to you. This warranty gives you specific legal rights, and you may also have other rights which vary from state to state.



ROLLS CORPORATION
SALT LAKE CITY, UTAH
5/00



RA62 Stereo Headphone Amplifier



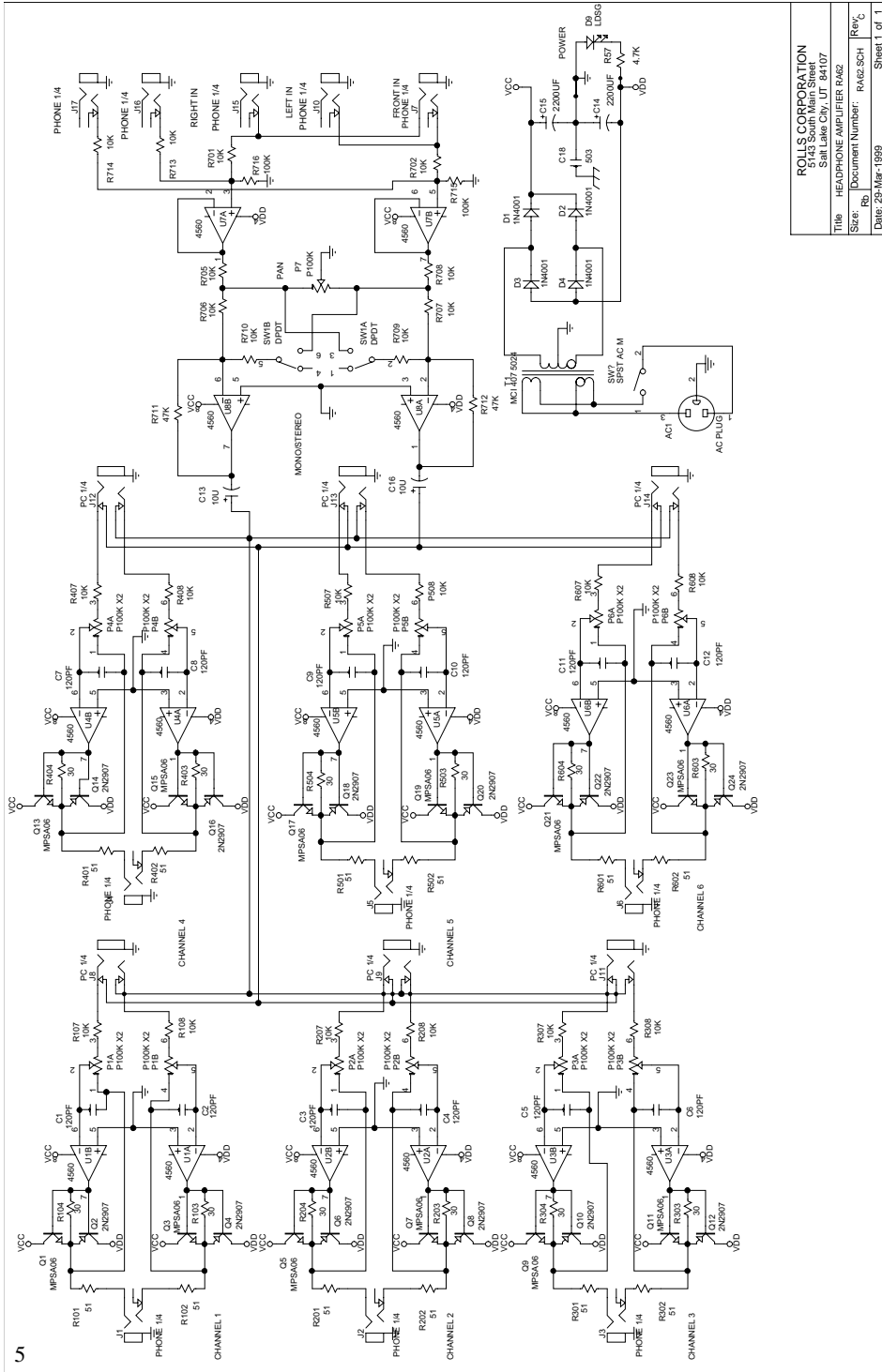
OWNERS MANUAL

TABLE OF CONTENTS

Table of Contents	1
Introduction	2
Features	2
Inspection	2
Description	
Front Panel	3
Rear Panel	3
Connection	4
Schematic	5
Specifications	6
Warranty	Back Cover

SPECIFICATIONS

Input Impedance:	100K Ω unbalanced
Max Input Level:	+18 dBV
Input Connectors:	1/4" TRS stereo, R & L 1/4" unbalanced R & L 1/4" unbalanced Aux. inputs 6: 1/4" TRS insert jacks.
Outputs:	6: 1/4" TRS Stereo jacks
Max Gain:	20 dB/Channel
Max Output Power:	up to 300 mWatt/Channel
Frequency Response:	DC - 30 kHz
S/N Ratio:	90 dB
THD:	<.008%
IMD:	<.008%
Power	120 VAC 50-60 Hz, 15 VA
Weight:	7 lbs (3KG)
Size:	19" x 1.75" x 6.5" (48cm x 4.5cm x 17cm)



ROLLS CORPORATION
 5143 South Main Street
 Salt Lake City, UT 84107
 Title: HEADPHONE AMPLIFIER RA62
 Size: B5 Document Number: RA62.SCH
 Date: 29-Mar-1999 Rev: C
 Sheet 1 of 1

Thank you for your purchase of the Rolls RA62 Stereo Headphone Amplifier. The RA62HA is a six-channel headphone amplifier for high quality audio monitoring. It is intended for sound reinforcement, studio, choir, and other applications where high channel to size ratio is desirable. Since the MONO/STEREO switch is after the pan control, it will mix 2 MONO signals and their balance can be adjusted with the Pan control. Up to six individual monitor mixes may be listened to via the rear panel TRS stereo insert jacks. The RA62HA has an FR4 double sided circuit board and painted steel chassis. It has six 1/4" stereo headphone outputs, one 1/4" TRS stereo input located on the front panel. Right and Left 1/4" Input jacks, and six 1/4" Insert jacks are located on the rear panel. There are two Auxiliary Inputs (right and left) located on the rear panel. Each channel has a Volume control, panning and balance is controlled via the Pan control located on the front panel, and the unit features a MONO/STEREO switch.

FEATURES

- 6 Headphone Outputs with Level Controls
- 6 TRS Stereo Insert jacks for separate use of each channel
- Up to 500 mW output per jack - it's loud
- Stereo/Mono Switch - allows mixing 2 mono signals
- Front and rear panel input jacks
- DC to 30 kHz response for accurate sound reproduction

INSPECTION

1. Unpack and inspect the RA62 box and package. If obvious physical damage is noticed, contact the carrier immediately to make a damage claim. We suggest saving the shipping carton and packing materials for safely transporting the unit in the future.
2. Please complete the Warranty Registration Card and return it to the factory.

FRONT PANEL



Note: Descriptions for Channel One through Channel Six are identical.

OUT 1 - 6 : 1/4" Tip-Ring-Sleeve jack for connection to a standard pair of headphones.

VOLUME 1 - 6: Controls the amount of output signal from the indicated channel.

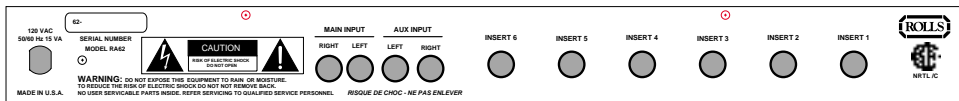
MONO/STEREO SWITCH: When this switch is pressed in, the Right and Left channels are summed together providing a mono output signal.

PAN: Controls the relative amount of signal sent to the Right and Left output channels.

STEREO IN: 1/4" TRS input jack which parallels the rear panel Right and Left input jacks.

POWER LED: Indicates that the RA62 is connected to the power supply and is on.

REAR PANEL



120 VAC INPUT: Connects to a properly grounded AC outlet.

MAIN INPUT: 1/4" TRS jacks for connecting to the desired Right and Left program material.

AUX INPUT: Additional 1/4" unbalanced inputs - for use in the event

Note: The description for the Channel Inserts pertains to all six channels.

CHANNEL INSERTS:

Connect the AC cord to a properly grounded ac outlet.

Determine which input configuration you will use; either discreet right/left, TRS stereo, or mono.

For a discreet right/left input configuration, connect a 1/4" TS plug containing the "Right" portion of the stereo signal to the Right Main Input. Connect a 1/4" TS plug containing the "Left" portion of the stereo signal to the Left Input.

For a TRS stereo input configuration, connect a Tip-Ring-Sleeve stereo plug into the front panel STEREO IN input. This cable may come from a mixer's headphone output for example.

To send a mono signal to the RA62, connect a 1/4" Tip-Sleeve plug into either the Right or Left input and press in the front panel MONO/STEREO switch. This mono signal will be fed to both the right and left sides of the headphone outputs.

The Aux Inputs are connected in the same manner as the discreet right/left input configuration listed above.

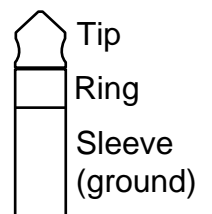
INSERTS

The inserts have been provided so you can directly access each headphone output with its own program material.

The inserts *require* Tip-Ring-Sleeve connectors, with right and left signals on the tip and ring respectively. If you use a TS mono plug - you will only hear sound out of one side.

When these insert jacks are used, the main Right/Stereo and Left/Mono, as well as the Aux Inputs - are disconnected. Only the stereo signals sent to the Insert jacks go to that corresponding output.

CAUTION: Plugging a mono 1/4" TS plug into the Headphone Outputs may cause permanent damage to the unit because one side would be shorted to ground. *Never plug a mono plug into any of the Headphone Outputs.*



Free Manuals Download Website

<http://myh66.com>

<http://usermanuals.us>

<http://www.somanuals.com>

<http://www.4manuals.cc>

<http://www.manual-lib.com>

<http://www.404manual.com>

<http://www.luxmanual.com>

<http://aubethermostatmanual.com>

Golf course search by state

<http://golfingnear.com>

Email search by domain

<http://emailbydomain.com>

Auto manuals search

<http://auto.somanuals.com>

TV manuals search

<http://tv.somanuals.com>