

## LIMITED WARRANTY

This product is warranted to the original consumer purchaser to be free from defects in materials and workmanship under normal installation, use and service for a period of one (1) year from the date of purchase as shown on the purchaser's receipt.

The obligation of Rolls Corporation under this warranty shall be limited to repair or replacement (at our option), during the warranty period of any part which proves defective in material or workmanship under normal installation, use and service, provided the product is returned to Rolls Corporation, TRANSPORTATION CHARGES PRE-PAID. Products returned to us or to an authorized Service Center must be accompanied by a copy of the purchase receipt. In the absence of such purchase receipt, the warranty period shall be one (1) year from the date of manufacture.

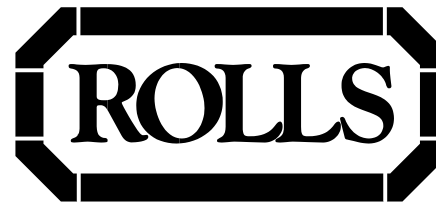
This warranty shall be invalid if the product is damaged as a result of defacement, misuse, abuse, neglect, accident, destruction or alteration of the serial number, improper electrical voltages or currents, repair, alteration or maintenance by any person or party other than our own service facility or an authorized Service Center, or any use violative of instructions furnished by us.

This one-year warranty is in lieu of all expressed warranties, obligations or liabilities. ANY IMPLIED WARRANTIES, OBLIGATIONS, OR LIABILITIES, INCLUDING BUT NOT LIMITED TO THE IMPLIED WARRANTIES OF MERCHANTABILITY AND FITNESS FOR A PARTICULAR PURPOSE, SHALL BE LIMITED IN DURATION TO THE ONE YEAR DURATION OF THIS WRITTEN LIMITED WARRANTY. Some states do not allow limitations on how long an implied warranty lasts, so the above limitation may not apply to you.

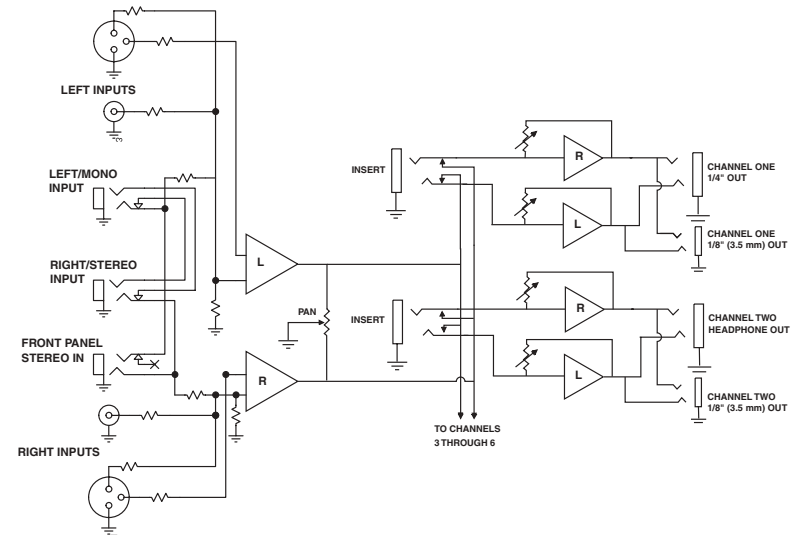
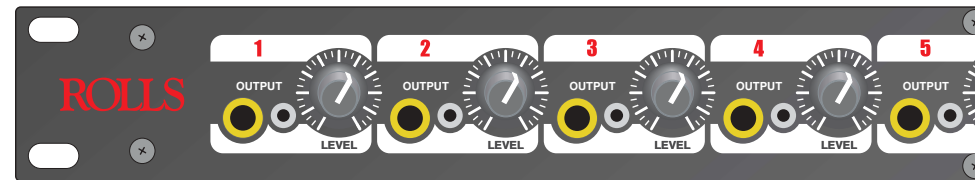
IN NO EVENT SHALL WE BE LIABLE FOR ANY SPECIAL, INCIDENTAL OR CONSEQUENTIAL DAMAGES FOR BREACH OF THIS OR ANY OTHER WARRANTY, EXPRESSED OR IMPLIED, WHATSOEVER. Some states do not allow the exclusion or limitation of special, incidental or consequential damages so the above limitation or exclusion may not apply to you. This warranty gives you specific legal rights, and you may also have other rights which vary from state to state.



ROLLS CORPORATION  
SALT LAKE CITY, UTAH  
5/03



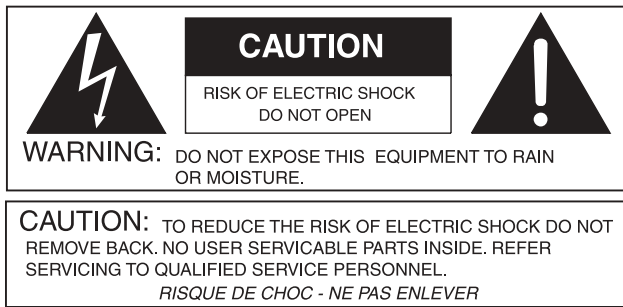
# RA62b Six Channel Stereo Headphone Amplifier



OWNERS MANUAL

## TABLE OF CONTENTS

Table of Contents	1
Warnings	1
Inspection	1
Introduction	2
Features	2
Description	
Front Panel	3
Rear Panel	3
Connection	4
Schematic	5
Specifications	6
Warranty	Back Cover



These symbols are internationally accepted symbols that warn of potential hazards with electrical products. The lightning flash means that there are dangerous voltages present within the unit. The exclamation point indicates that it is necessary for the user to refer to the owners manual.

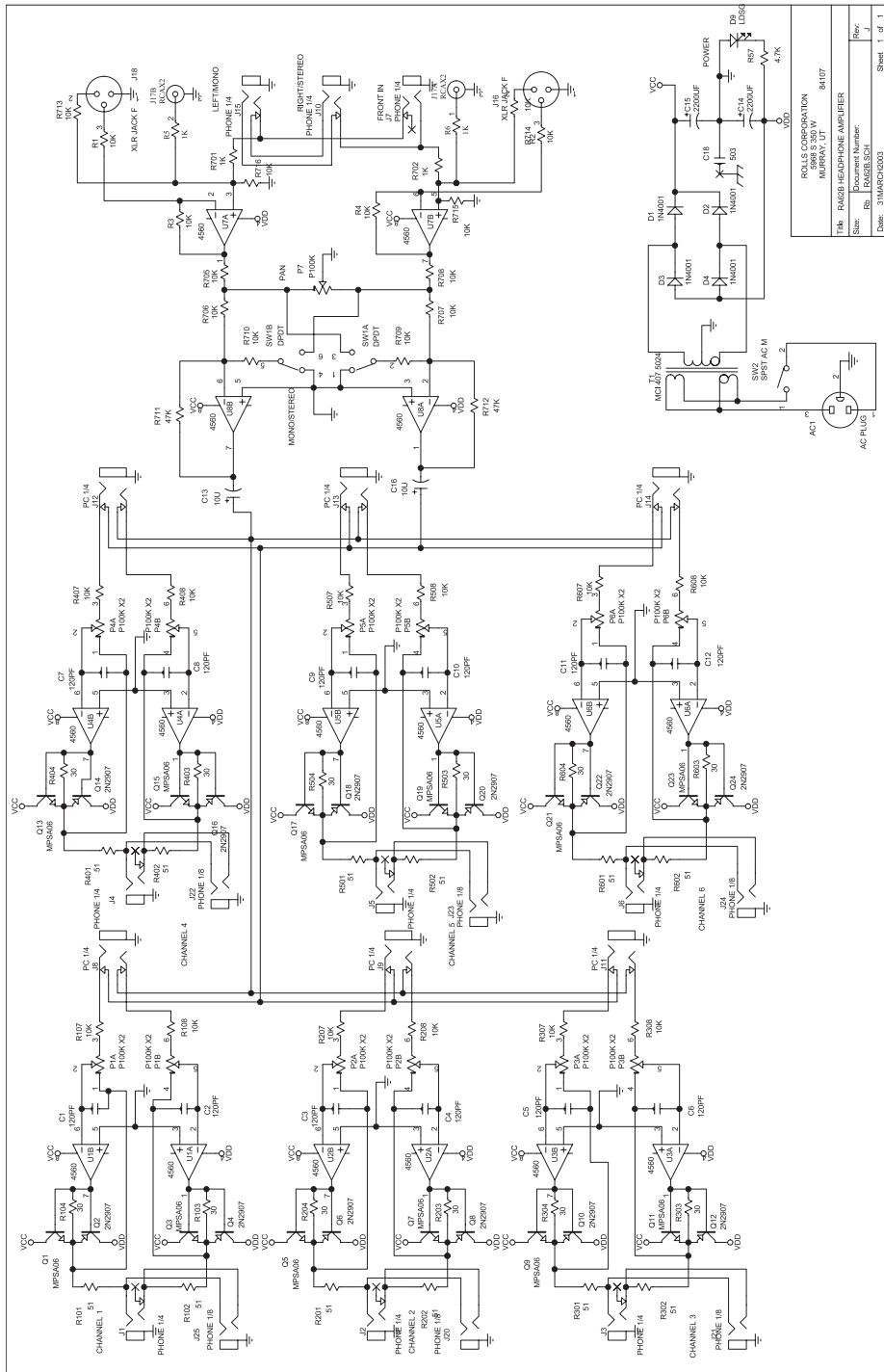
These symbols warn that there are no user serviceable parts inside the unit. Do not open the unit. Do not attempt to service the unit yourself. Refer all servicing to qualified personnel. Opening the chassis for any reason will void the manufacturer's warranty. Do not get the unit wet. If liquid is spilled on the unit, shut it off immediately and take it to a dealer for service. Disconnect the unit during storms to prevent damage.

## INSPECTION

1. Unpack and inspect the RA62 box and package. If obvious physical damage is noticed, contact the carrier immediately to make a damage claim. We suggest saving the shipping carton and packing materials for safely transporting the unit in the future.
2. Please visit our website at [www.rolls.com](http://www.rolls.com) and click on the Register Your Warranty Here text. Fill out the warranty information to ensure coverage of your new RA62b. If you do not have access to the internet, or do not wish to register your warranty online, complete the Warranty Registration Card and return it to the factory.

## SPECIFICATIONS

Input Impedance:	10K $\Omega$ unbalanced
Max Input Level:	+18 dBV
Input Connectors:	1/4" TRS stereo, R & L unbalanced 1/4"
and	RCA, R & L balanced XLR
	6: 1/4" TRS insert jacks
Outputs:	6: 1/4" TRS Stereo jacks
	6: 1/8" (3.5 mm) TRS Stereo jacks
Max Gain:	20 dB/Channel
Max Output Power:	up to 300 mW/side, 600 mW/Channel ( @ 16 Ohms )
Frequency Response:	DC - 30 kHz
S/N Ratio:	90 dB
THD:	<.008%
IMD:	<.008%
Phase Shift (In to Out):	0 deg.
Slew Rate:	25 V/ $\mu$ Second
Crosstalk:	- 65 dB
Power	120 VAC 50-60 Hz, 15 VA
Weight:	7 lbs (3KG)
Size:	19" x 1.75" x 6.5" (48cm x 4.5cm x 17cm)



Thank you for your purchase of the ROLLs RA62b Stereo Headphone Amplifier. The ROLLs RA62b is a six-channel headphone/earphone amplifier for professional audio monitoring. It is intended for recording studios, sound reinforcement, and audiophile listening environments where full frequency response signal(s) are to be distributed to up to six individuals. A variety of input options are available including 1/4", RCA, and balanced XLR. Since the MONO/STEREO switch is after the pan control, it will mix 2 MONO signals and their balance can be adjusted with the Pan control. Up to six individual monitor mixes may be listened to via the rear panel insert jacks. The RA62b features a FR4 double sided circuit board, socketed integrated circuits, and painted steel chassis.

This manual assumes the user has a basic knowledge of audio electronic equipment.

## FEATURES

- 6: 1/4" Headphone and 6: 1/8" (3/5 mm) Earphone Outputs per channel with Level Controls
- 1/4" and 1/8" Outputs may be used simultaneously
- 1/4", RCA and XLR Inputs
- 6 TRS Stereo Insert jacks for separate use of each channel
- Up to 600 mW output per jack - it's loud
- Stereo/Mono Switch - allows mixing 2 mono signals
- Front and rear panel input jacks
- May be used as a six channel Distribution Amplifier
- FR4 Double-sided fiberglass epoxy circuit board
- Socketed ICs
- Made in the U.S.A.

## WARNING

USING THIS SYSTEM AT EXCESSIVE VOLUMES CAN CAUSE  
PERMANENT HEARING DAMAGE.  
USE AS LOW A VOLUME AS POSSIBLE

In order to use this system safely, avoid prolonged listening at excessive sound pressure levels. Please use the following guidelines established by the Occupational Safety Health Administration (OSHA) on maximum time exposure to sound pressure levels before hearing damage occurs.



90 dB SPL at 8 hours  
95 dB SPL at 4 hours  
100 dB SPL at 2 hours  
105 dB SPL at 1 hour  
110 dB SPL at 1/2 hour  
115 dB SPL at 15 minutes  
120 dB SPL - **avoid or damage may occur**

## FRONT PANEL



*Note: Descriptions for Channel One through Channel Six are identical.*

OUT 1 - 6 : 1/4" and 1/8" (3.5 mm) Tip-Ring-Sleeve jacks for connection to a standard pair of headphones or earphones. These jacks may be used simultaneously.

VOLUME 1 - 6: Controls the amount of output signal from the indicated channel.

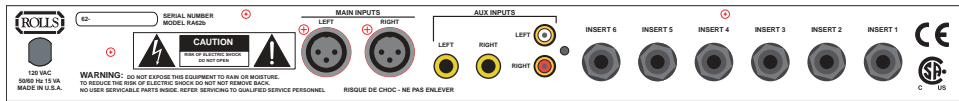
MONO/STEREO SWITCH: When this switch is pressed in, the Right and Left channels are summed together providing a mono output signal.

PAN: Controls the relative amount of signal sent to the Right and Left output channels.

STEREO IN: 1/4" TRS input jack which parallels the rear panel Right and Left input jacks.

POWER LED: Indicates that the RA62 is connected to the power supply and is on.

## REAR PANEL



120 VAC INPUT: Connects to a properly grounded AC outlet.

MAIN INPUTS: Balanced XLR jacks for connecting to the desired Right and Left program material.

AUX INPUTS: 1/4" and RCA unbalanced inputs - for use in the event additional program material is to be mixed with the main inputs, or if XLR plugs are not available.

*Note: The description for the Channel Inserts pertains to all six channels.*

CHANNEL INSERTS: 1/4" TRS jacks which directly access the channel's headphone output circuitry. This is a stereo jack and requires a TRS stereo signal.

Connect the AC cord to a properly grounded ac outlet.

Determine which input configuration you will use; either discreet right/left, TRS stereo, or mono.

For a discreet right/left input configuration, connect a balanced XLR plug containing the "Right" portion of the stereo signal to the Right Main Input. Connect a balanced XLR plug containing the "Left" portion of the stereo signal to the Left Input.

For a TRS stereo input configuration, connect a Tip-Ring-Sleeve stereo plug into the front panel STEREO IN input. This cable may come from a mixer's headphone output for example.

The Aux Inputs are connected in the same manner as the discreet right/left input configuration listed above.

To send a mono signal to the RA62b, connect an XLR jack to either Main Input, or a single 1/4" Tip-Sleeve or RCA plug into either Aux Input input and press in the front panel MONO/STEREO switch. This mono signal will be fed to both the right and left sides of the headphone outputs.

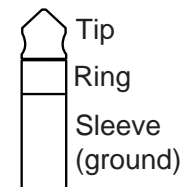
## INSERTS

The inserts have been provided so you can directly access each headphone output with its own program material.

The inserts *require* Tip-Ring-Sleeve connectors, with right and left signals on the tip and ring respectively. If you use a TS mono plug - you will only hear sound out of one side.

When these insert jacks are used, the main Right/Stereo and Left/Mono, as well as the Aux Inputs - are disconnected. Only the stereo signals sent to the Insert jacks go to that corresponding output.

**CAUTION:** Plugging a mono 1/4" TS plug into the Headphone Outputs may cause permanent damage to the unit because one side would be shorted to ground. **NEVER PLUG A MONO PLUG INTO ANY OF THE HEADPHONE OUTPUTS.**



## Free Manuals Download Website

<http://myh66.com>

<http://usermanuals.us>

<http://www.somanuals.com>

<http://www.4manuals.cc>

<http://www.manual-lib.com>

<http://www.404manual.com>

<http://www.luxmanual.com>

<http://aubethermostatmanual.com>

Golf course search by state

<http://golfingnear.com>

Email search by domain

<http://emailbydomain.com>

Auto manuals search

<http://auto.somanuals.com>

TV manuals search

<http://tv.somanuals.com>