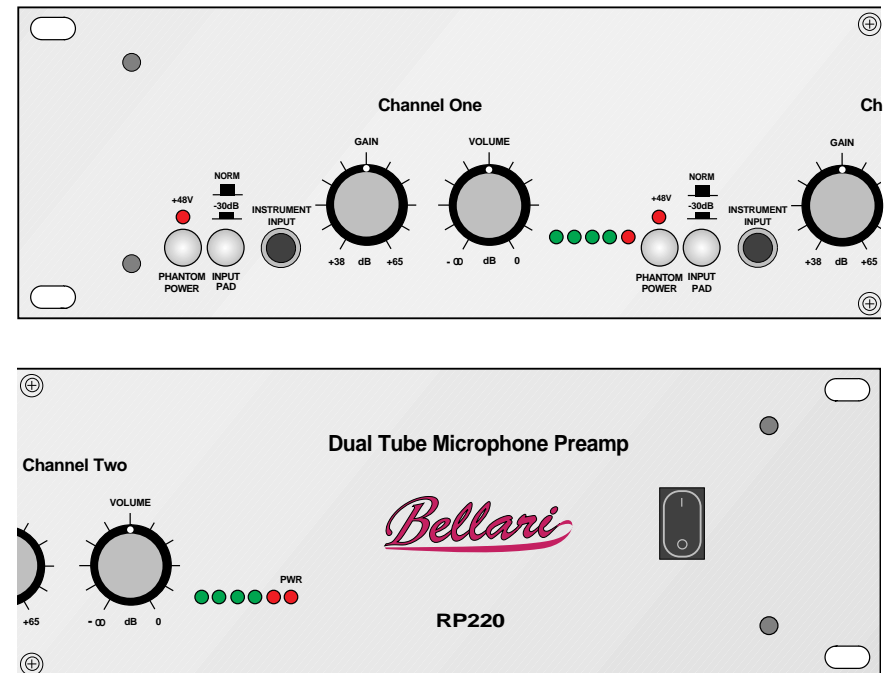


*Bellari*

# RP220

## Dual Tube Mic Preamp



*Bellari*

Bellari is a division of  
**ROLLS Corporation**  
Salt Lake City, UT

OWNERS MANUAL

## OPERATION

### MICROPHONE INPUT EXAMPLE

Connect a microphone to one of the XLR inputs located on the rear panel. If the microphone is a condenser type, press in the +48V phantom power switch. Connect the output to a mixer or recording device. Speak into the microphone and adjust the GAIN control for a signal level just below the point at which distortion occurs. Adjust the VOLUME control for the desired output level.

### LINE INPUT EXAMPLE

When mixing down tracks from a digital multitrack recorder, the RP220 may be used to "warm-up" the final mix. Connect the multitrack to a mixer, and connect the mixer to the line inputs on the RP220. Connect the outputs of the RP220 to the input of your mixdown deck or other two-track recording device.

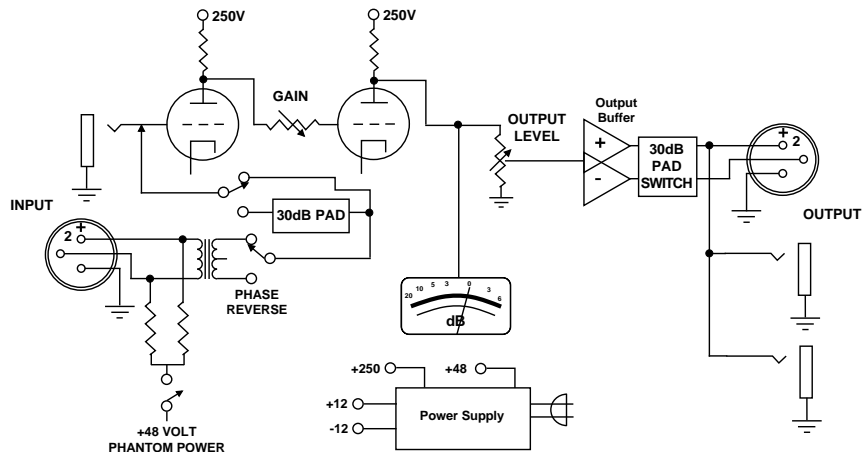
Set the GAIN and VOLUME controls as indicated in the Microphone Input Example.

### INSTRUMENT INPUT EXAMPLE

Connect an instrument such as a guitar or bass guitar to an input of the RP220, and connect the output to a mixer or recording device. Play the instrument and adjust the GAIN control for a sound to your liking. Note that the RP220 can be overdriven to provide a slightly distorted signal, which may be desired. Adjust the VOLUME control as indicated in the Microphone Input Example.

NOTE: These are just suggested settings. Your applications may require different procedures for setup.

### BLOCK DIAGRAM



Congratulations on choosing the Bellari RP220 Studio Tube Preamp. We recommend that you take a moment and read this manual as it provides information that will help you in using your unit to its fullest potential. The RP220 provides clear sonic quality and performance for the working musician, studio operator or anyone who needs a preamp with the warm, smooth, analog sound. Each channel uses one Bellari premium 7025 tube in a unique configuration to give smooth controllable gain with a true transformer balanced input. The unit has both XLR and 1/4" inputs and outputs with Pad switches and Phase Reverse switches to adapt to any performing or studio situation.

### INSPECTON

#### 1. Unpack and Inspect the RP220 package

Your RP220 was carefully packed at the factory in a protective carton. Nonetheless, be sure to examine the unit and the carton for any signs of damage that may have occurred during shipping. If obvious physical damage is noticed, contact the carrier immediately to make a damage claim. We suggest saving the shipping carton and packing materials for safely transporting the unit in the future.

#### 2. Please complete the Warranty Registration Card and return it to the factory.

### WHY TUBES

The primary purpose of a preamp is to provide low noise gain to microphones and instruments without coloring or distorting the sound in any way. But any audio electronic device seems to have a characteristic "sound," sometimes it can be pleasing, sometimes not.

Tube preamps have gained in popularity to counteract the "digital sound" of digital recording equipment. Many engineers preferred the "sound" of analog recording equipment, but like the editing and predictability of digital. Because tubes have natural compression they have a smoother sound than solid state preamps. When they do clip, they have a more even harmonic structure. Attempts to duplicate these characteristics with solid state circuits have met with limited success.

## FRONT PANEL DESCRIPTION

Note: Channel One descriptions are identical to Channel Two

### PHANTOM POWER +48V

Turns on the internal 48 volt power supply for using phantom powered microphones. It should be left off when not in use.

### 30 dB Pad

When pressed in, the rear panel XLR input is attenuated by 30 dB. It does not switch the instrument input.

### INSTRUMENT INPUT

1/4" input jack for plugging a guitar, electric bass, or other instrument direct into the preamp. When this jack is used, the XLR input on the rear panel is disconnected.

### GAIN

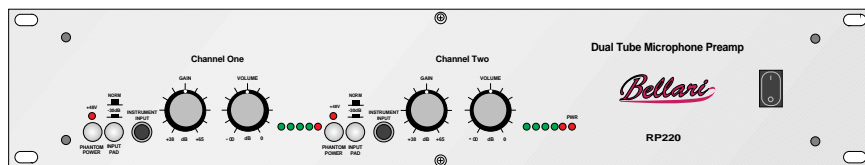
Adjusts how much actual gain the preamp has. This is similar to a "trim" control on some mixers and is different from volume. With the gain set high the input may be distorted. For best signal to noise ratio this control should be set as high as possible without distortion, (unless distortion is desired).

### VOLUME

Sets the output level as desired, for best signal to noise ratio it should be set in the middle of its range or higher.

### OUTPUT LEVEL METERS

Each channel of the RP220 has five LED level meters, the last one being red indicating overload.



## REAR PANEL DESCRIPTION

Note: Channel One descriptions are identical to Channel Two

### INPUT

Standard XLR type balanced inputs, pin 2 is hot, for Mic or line-level audio sources. (e.g., instrument, microphone or mixer).

### OUTPUT JACKS

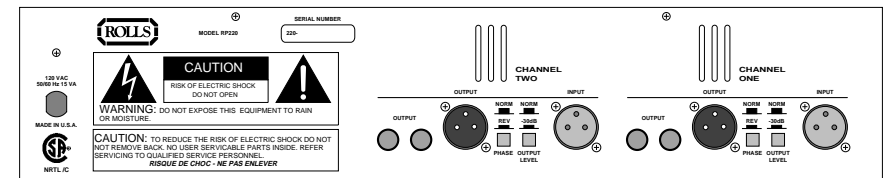
1/4" phone connectors or balanced XLRs used for connection to your line inputs on your load (e.g., DAT, Amp. or mixer).

### 30 dB Pad

This switch changes the level of the Output XLR jack only. When in, it attenuates the output level by 30 dB.

### PHASE REVERSE

When pressed in, reverses the phase of the output signal 180 degrees from the input signal.



## SPECIFICATIONS

Frequency Response	20Hz - 40kHz, +/- 3dB Mic/Line 5Hz - 40kHz inst.
Input Impedance	600 ohm balanced XLR 1M ohm Instrument
THD	0.1% typical
S/N Ratio	>107 dB
Max Gain	48dB Inst or line, 70dB XLR
Indicators	2 - LEDs (Phantom Power) 5 - Level LEDs, 4 green 1 red
Input/Output jacks	XLR balanced and 1/4"
Dimensions	3.5" X 6" X 19" (89mm X 162mm X 482mm)
Power	120VAC (230VAC) 15VA

## TABLE OF CONTENTS

Introduction	1
Inspection	
Why Tubes?	
Front Panel Description	2
Rear Panel Description	3
Specifications	3
Operation	4
Microphone Input Example	
Line Input Example	
Instrument Input Example	
Warranty	5

## LIMITED WARRANTY

This product is warranted to the original consumer purchaser to be free from defects in materials and workmanship under normal installation, use and service for a period of one (1) year from the date of purchase as shown on the purchaser's receipt.

The obligation of Rolls Corporation under this warranty shall be limited to repair or replacement (at our option), during the warranty period of any part which proves defective in material or workmanship under normal installation, use and service, provided the product is returned to Rolls Corporation, **TRANSPORTATION CHARGES PREPAID**. Products returned to us or to an authorized Service Center must be accompanied by a copy of the purchase receipt. In the absence of such purchase receipt, the warranty period shall be one (1) year from the date of manufacture.

This warranty shall be invalid if the product is damaged as a result of defacement, misuse, abuse, neglect, accident, destruction or alteration of the serial number, improper electrical voltages or currents, repair, alteration or maintenance by any person or party other than our own service facility or an authorized Service Center, or any use violative of instructions furnished by us.

This one-year warranty is in lieu of all expressed warranties, obligations or liabilities. **ANY IMPLIED WARRANTIES, OBLIGATIONS, OR LIABILITIES, INCLUDING BUT NOT LIMITED TO THE IMPLIED WARRANTIES OF MERCHANTABILITY AND FITNESS FOR A PARTICULAR PURPOSE, SHALL BE LIMITED IN DURATION TO THE ONE YEAR DURATION OF THIS WRITTEN LIMITED WARRANTY.** Some states do not allow limitations on how long an implied warranty lasts, so the above limitation may not apply to you.

**IN NO EVENT SHALL WE BE LIABLE FOR ANY SPECIAL, INCIDENTAL OR CONSEQUENTIAL DAMAGES FOR BREACH OF THIS OR ANY OTHER WARRANTY, EXPRESSED OR IMPLIED, WHATSOEVER.** Some states do not allow the exclusion or limitation of special, incidental or consequential damages so the above limitation or exclusion may not apply to you. This warranty gives you specific legal rights, and you may also have other rights which vary from state to state.

## Free Manuals Download Website

<http://myh66.com>

<http://usermanuals.us>

<http://www.somanuals.com>

<http://www.4manuals.cc>

<http://www.manual-lib.com>

<http://www.404manual.com>

<http://www.luxmanual.com>

<http://aubethermostatmanual.com>

Golf course search by state

<http://golfingnear.com>

Email search by domain

<http://emailbydomain.com>

Auto manuals search

<http://auto.somanuals.com>

TV manuals search

<http://tv.somanuals.com>