

INTRODUCTION

Thank you for your purchase of the SLC19 Stereo Level Control. The SLC19 is a simple device designed to control stereo line-level audio signals such as those connected to powered speakers, computer speakers, microphones, or anywhere an inline level control is desired.

WARRANTY INFO

Please visit our website, www.rolls.com, for the Rolls 1 Year Warranty information and registration.

FRONT PANEL



LEFT: 1/4" TRS and XLR Input jack.

LEVEL: Adjusts the level of the signals at the Left and Right Input jacks.

RIGHT: 1/4" TRS and XLR Input jack.

MUTE: When pressed in, the signals are all muted.

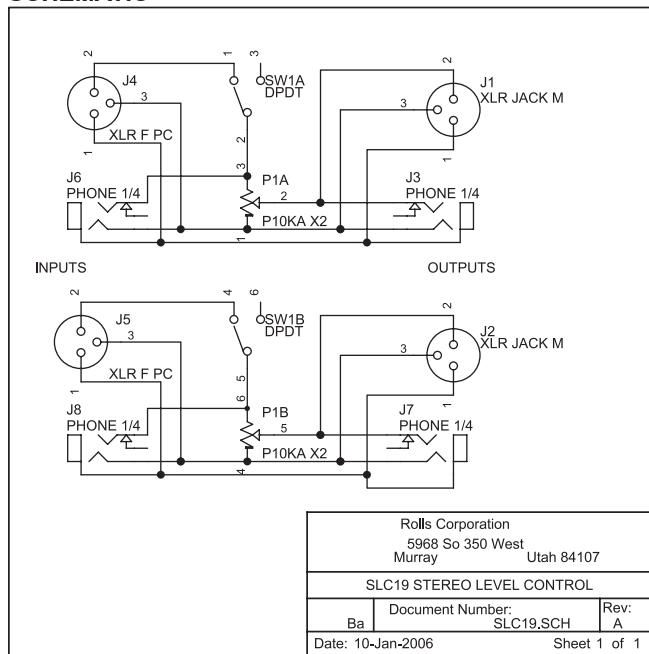
REAR PANEL

LEFT: 1/4" TRS and XLR Output jack.

RIGHT: 1/4" TRS and XLR Output jack.

WARNING: DO NOT CONNECT THE SLC19 IN REVERSE. VERIFY THAT THE SLC19 INPUTS ARE CONNECTED TO THE LINE-LEVEL OUTPUTS OF THE DEVICE TO BE CONTROLLED. ALSO - DO NOT CONNECT THE SLC19 TO ANY SPEAKER-LEVEL OR POWERED SIGNAL. DOING SO WILL DAMAGE THE UNIT.

SCHEMATIC



Rolls Corporation
5968 So 350 West
Murray Utah 84107

SLC19 STEREO LEVEL CONTROL

Document Number: SLC19_SCH Rev: A

Date: 10-Jan-2006 Sheet 1 of 1

... anywhere you need a passive inline
stereo volume control

ROLLS

- Live
- Studio
- Broadcast

SLC19 Stereo Level Control

SLC19 Stereo Level Control

ROLLS

SLC19 Stereo Level Control

The SLC19 is a simple device designed to control balanced stereo line-level audio signals such as those connected to powered speakers, computer speakers, microphones, or anywhere an inline level control is desired.

- Dual 1/4" TRS Inputs and Outputs
- Dual balanced XLR Inputs and Outputs
- Stereo Level Volume control
- MUTE switch

SLC19 St. Level Control



Rolls Corporation
Salt Lake City, UT
1/06

Free Manuals Download Website

<http://myh66.com>

<http://usermanuals.us>

<http://www.somanuals.com>

<http://www.4manuals.cc>

<http://www.manual-lib.com>

<http://www.404manual.com>

<http://www.luxmanual.com>

<http://aubethermostatmanual.com>

Golf course search by state

<http://golfingnear.com>

Email search by domain

<http://emailbydomain.com>

Auto manuals search

<http://auto.somanuals.com>

TV manuals search

<http://tv.somanuals.com>