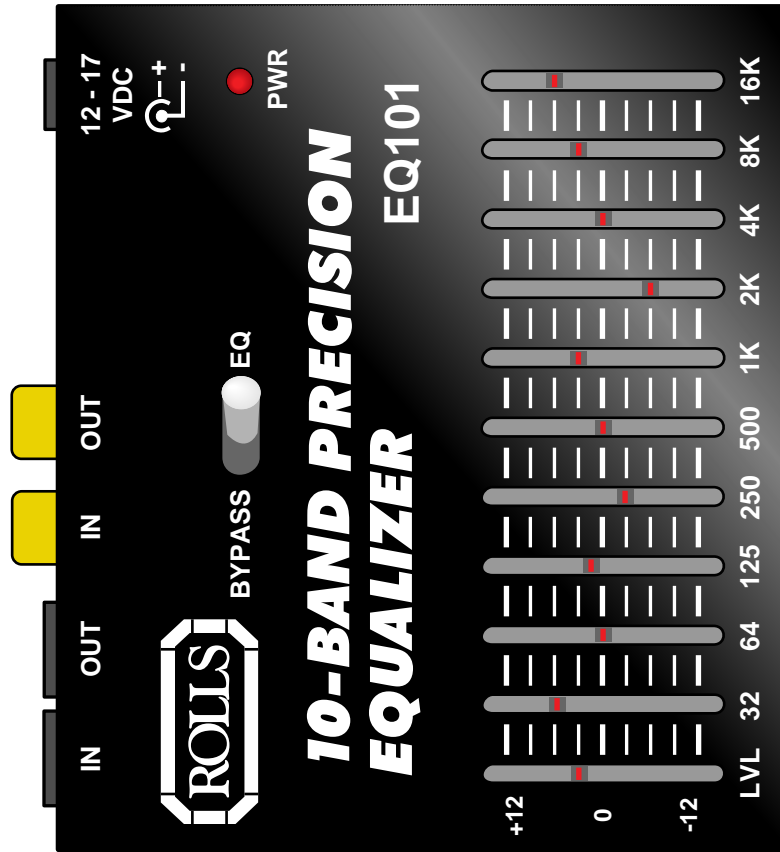




EQ101 10-BAND

PRECISION EQUALIZER



OWNERS MANUAL

LIMITED WARRANTY

This product is warranted to the original consumer purchaser to be free from defects in materials and workmanship under normal installation, use and service for a period of one (1) year from the date of purchase as shown on the purchaser's receipt.

The obligation of Rolls Corporation under this warranty shall be limited to repair or replacement (at our option), during the warranty period of any part which proves defective in material or workmanship under normal installation, use and service, provided the product is returned to Rolls Corporation, TRANSPORTATION CHARGES PREPAID. Products returned to us or to an authorized Service Center must be accompanied by a copy of the purchase receipt. In the absence of such purchase receipt, the warranty period shall be one (1) year from the date of manufacture.

This warranty shall be invalid if the product is damaged as a result of defacement, misuse, abuse, neglect, accident, destruction or alteration of the serial number, improper electrical voltages or currents, repair, alteration or maintenance by any person or party other than our own service facility or an authorized Service Center, or any use violative of instructions furnished by us.

This one-year warranty is in lieu of all expressed warranties, obligations or liabilities. ANY IMPLIED WARRANTIES, OBLIGATIONS, OR LIABILITIES, INCLUDING BUT NOT LIMITED TO THE IMPLIED WARRANTIES OF MERCHANTABILITY AND FITNESS FOR A PARTICULAR PURPOSE, SHALL BE LIMITED IN DURATION TO THE ONE YEAR DURATION OF THIS WRITTEN LIMITED WARRANTY. Some states do not allow limitations on how long an implied warranty lasts, so the above limitation may not apply to you.

IN NO EVENT SHALL WE BE LIABLE FOR ANY SPECIAL, INCIDENTAL OR CONSEQUENTIAL DAMAGES FOR BREACH OF THIS OR ANY OTHER WARRANTY, EXPRESSED OR IMPLIED, WHATSOEVER. Some states do not allow the exclusion or limitation of special, incidental or consequential damages so the above limitation or exclusion may not apply to you. This warranty gives you specific legal rights, and you may also have other rights which vary from state to state.

EQ101 10-BAND EQ

- Compact Mono Equalization
- Clean, quiet operation
- Hard-wired bypass
- 1/4" and RCA Inputs and Outputs

The EQ101 is for any application needing simple mono equalization.

SPECIFICATIONS

Input Impedance:	50 K Ω Nominal
Output Impedance:	100 Ω
Max Input Level:	+24 dBV
Max Output Level:	+14 dB
Center Freq:	+/-5% Standard ISO
Boost/Cut Range:	+/- 12 dB
Bypass:	Hard-wired
Frequency Response:	20 - 20 kHz +/- 1 dBV
Dynamic Range:	95 dB A Weighted
S/N Ratio:	85 dB
Power:	+12 VDC 150 mA (center neg.) Adapter provided in the U.S.A.
Dimensions:	4 x 4.5 x 1.125 inches (WxHxD)
Weight:	1 lb.



Rolls Corporation
Salt Lake City, UT
4/99

Thank you for your purchase of the EQ101 10-Band Graphic Equalizer. This unit is designed and manufactured to provide years of quality service. Please read this manual carefully for proper operation and care.

INSPECTION

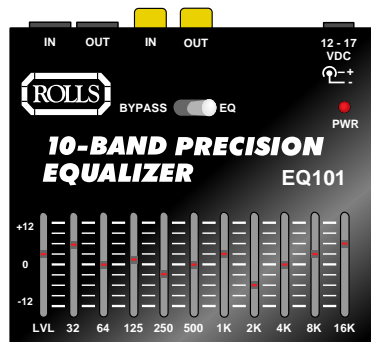
1. Unpack and Inspect the EQ101 package
Be sure to examine the unit and the carton for any signs of damage that may have occurred during shipping. If obvious physical damage is noticed, contact the carrier immediately to make a damage claim. We suggest saving the shipping carton and packing materials for safely transporting the unit in the future.
2. Please complete the Warranty Registration Card and return it to the factory.

DESCRIPTION

REAR PANEL

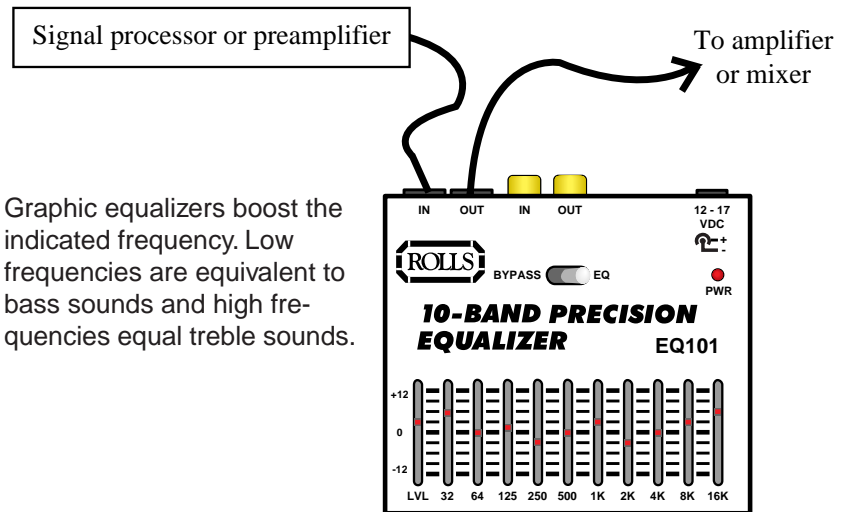
IN: 1/4" TS unbalanced and RCA jacks for connection to input signal. This could be an instrument or the output of a signal processor.
OUT: 1/4" TS unbalanced and RCA jacks for connection to an amplifier, or mixer.

LVL: This control adjusts the overall level of the equalizer. Note that the center position is detented for easy location of unity gain.
32 through 16K: These controls boost or cut the indicated frequency. When the slider is in the center (detented) position, the frequency is not effected.
BYPASS/EQ SWITCH: Selects whether the input signal is sent through the equalization circuitry (EQ) or is sent directly to the outputs (BYPASS). Note that the EQ101 has a "hard-wire" bypass meaning that if there is no power connected to the unit, signal will still be present at the outputs.
PWR: This LED indicates that power is applied to the EQ101.
12 - 17 VDC: For connection to the AC adapter. Please use either the ROLLS PS27, or a proper adapter with 12 - 17 VDC, 150 mA, outside of barrel positive.



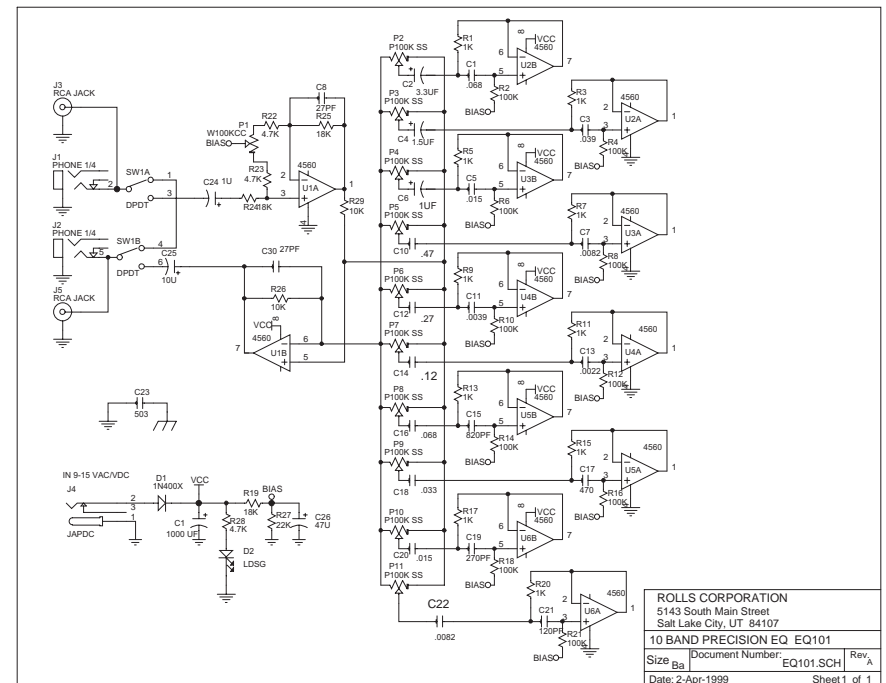
OPERATION

Shown below is an example of connection and operation of the EQ101.



Graphic equalizers boost the indicated frequency. Low frequencies are equivalent to bass sounds and high frequencies equal treble sounds.

SCHEMATIC



Free Manuals Download Website

<http://myh66.com>

<http://usermanuals.us>

<http://www.somanuals.com>

<http://www.4manuals.cc>

<http://www.manual-lib.com>

<http://www.404manual.com>

<http://www.luxmanual.com>

<http://aubethermostatmanual.com>

Golf course search by state

<http://golfingnear.com>

Email search by domain

<http://emailbydomain.com>

Auto manuals search

<http://auto.somanuals.com>

TV manuals search

<http://tv.somanuals.com>