

Thank you for your purchase of the MB35 ProMatch USB Stereo Dual Converter. Specifically, the MB35 converts consumer level stereo RCA signals to balanced XLR professional line level - and back.

**WARRANTY**

For complete information on the Rolls 1 Year Warranty, and to register this product, see our web site at [www.rolls.com](http://www.rolls.com).

**DESCRIPTION**

**REAR PANEL**

+4 dB IN LEFT and RIGHT XLR jacks: Female XLR jacks to be connected to the output of a professional line-level device such as a sound reinforcement mixing board or recording device.

+4 dB OUT LEFT and RIGHT XLR jacks: Male XLR jacks to be connected to the input of a professional line-level device such as a mixer or recording device.

RCA - Line Out: The RCA out can be used with any input on CH2. The most common use is to convert a 1/8" Stereo Headphone signal to RCA line level.

**FRONT PANEL**

-10 OUT Stereo RCA jacks: For connection to the input of a consumer level device such as a cassette or CD player.

-10 IN Stereo RCA jacks: For connection to the output of a consumer level device such as a cassette or CD player.

LEVEL 1: Adjusts the signal level of channel one, or the +4 dB IN to -10 dB OUT channel.

LEVEL 2: Adjusts the signal level of channel two, or the -10 dB IN to +4 dB OUT channel.

1/8" Stereo input: For connection to the output of a headphone level such as a computers headphone output or mixers headphone output.

PWR LED: Indicates that power is applied to the MB35.

12 VDC jack: For connection to the Rolls PS27 12 Volt DC power supply.

The outside of the jack (barrel) is positive, the inside is negative.

USB: The USB input is CH1 in XLR's. The USB output is CH2 out - XLR or RCA's.

... anywhere you need to convert consumer level audio to pro-level and/or vice-versa.

**ROLLS**

- Studio  
- Install  
- Broadcast

**MB35 ProMatch USB**

**MB35 ProMatch**

**ROLLS**

**IMPORTANT USB NOTE:**

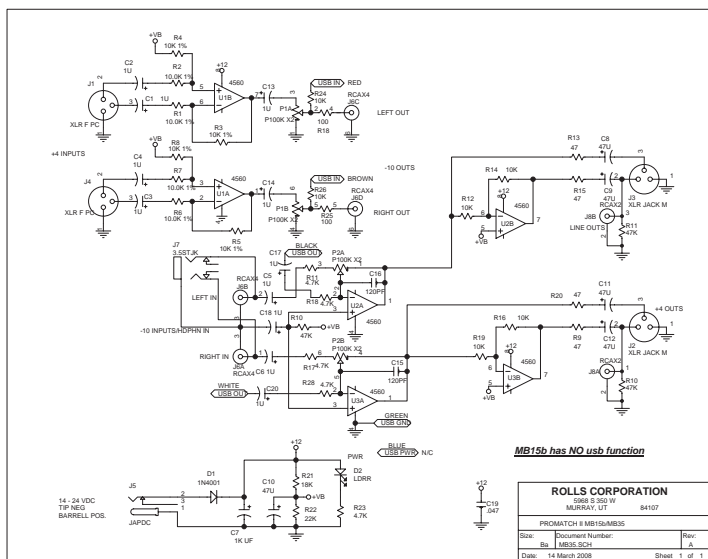
When connecting the USB, your computer should recognize the connection. We offer no support for using or setting up the USB, or interfacing with applications. Please contact your dealer regarding these issues.

**CONSUMER LEVEL VS PROFESSIONAL LEVEL**

The purpose of the MB35 is to connect consumer level equipment to professional level equipment. An explanation of these are addressed here.

Consumer level signals typically come from devices such as camcorders, cassette decks, CD or MP3 players, and home video players. Professional level signals are associated with devices found in recording studios and sound reinforcement systems like mixing boards, signal processors, and their associated amplifiers.

**SCHEMATIC**



**MB35 ProMatch USB**

The MB35 converts stereo consumer level signals to professional line level signals - and vice versa. It may also serve as a balanced inline level control by patching the four RCA jacks together.

- Stereo Direct Box
- Stereo RCA to stereo XLR
- Stereo Level control for each channel
- Works as stereo balanced line level control
- 1/8" Headphone level to line level adaptor

**SPECIFICATIONS**

Max Out:	Bal: +18 dB Unbal: +12 dB
Max In:	Bal: +22 dB Unbal: +22 dB
Input Impedance:	RCA : 100k Ohm XLR: 10 k Ohm 1/8" stereo: 10k Ohm
Output Impedance:	RCA: 100 Ohm XLR: 100 Ohm balanced
Noise Floor:	-88 dB
Gain:	+4 dB In: -8 dB -10 dB In: + 20 dB
THD:	.003%
Power:	12 VDC adapter (center negative)
Weight:	1 lbs. (.45 Kg)
Size:	4.15" x 2.46" x 1.55"



[www.rolls.com](http://www.rolls.com)



Rolls Corporation  
Salt Lake City, UT  
07/08

**ROLLS**

## Free Manuals Download Website

<http://myh66.com>

<http://usermanuals.us>

<http://www.somanuals.com>

<http://www.4manuals.cc>

<http://www.manual-lib.com>

<http://www.404manual.com>

<http://www.luxmanual.com>

<http://aubethermostatmanual.com>

Golf course search by state

<http://golfingnear.com>

Email search by domain

<http://emailbydomain.com>

Auto manuals search

<http://auto.somanuals.com>

TV manuals search

<http://tv.somanuals.com>