

LIMITED WARRANTY

This product is warranted to the original consumer purchaser to be free from defects in materials and workmanship under normal installation, use and service for a period of one (1) year from the date of purchase as shown on the purchaser's receipt.

The obligation of Rolls Corporation under this warranty shall be limited to repair or replacement (at our option), during the warranty period of any part which proves defective in material or workmanship under normal installation, use and service, provided the product is returned to Rolls Corporation, TRANSPORTATION CHARGES PREPAID. Products returned to us or to an authorized Service Center must be accompanied by a copy of the purchase receipt. In the absence of such purchase receipt, the warranty period shall be one (1) year from the date of manufacture.

This warranty shall be invalid if the product is damaged as a result of defacement, misuse, abuse, neglect, accident, destruction or alteration of the serial number, improper electrical voltages or currents, repair, alteration or maintenance by any person or party other than our own service facility or an authorized Service Center, or any use violative of instructions furnished by us.

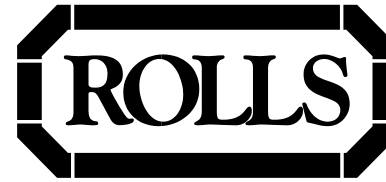
This one-year warranty is in lieu of all expressed warranties, obligations or liabilities. ANY IMPLIED WARRANTIES, OBLIGATIONS, OR LIABILITIES, INCLUDING BUT NOT LIMITED TO THE IMPLIED WARRANTIES OF MERCHANTABILITY AND FITNESS FOR A PARTICULAR PURPOSE, SHALL BE LIMITED IN DURATION TO THE ONE YEAR DURATION OF THIS WRITTEN LIMITED WARRANTY. Some states do not allow limitations on how long an implied warranty lasts, so the above limitation may not apply to you.

IN NO EVENT SHALL WE BE LIABLE FOR ANY SPECIAL, INCIDENTAL OR CONSEQUENTIAL DAMAGES FOR BREACH OF THIS OR ANY OTHER WARRANTY, EXPRESSED OR IMPLIED, WHATSOEVER. Some states do not allow the exclusion or limitation of special, incidental or consequential damages so the above limitation or exclusion may not apply to you. This warranty gives you specific legal rights, and you may also have other rights which vary from state to state.

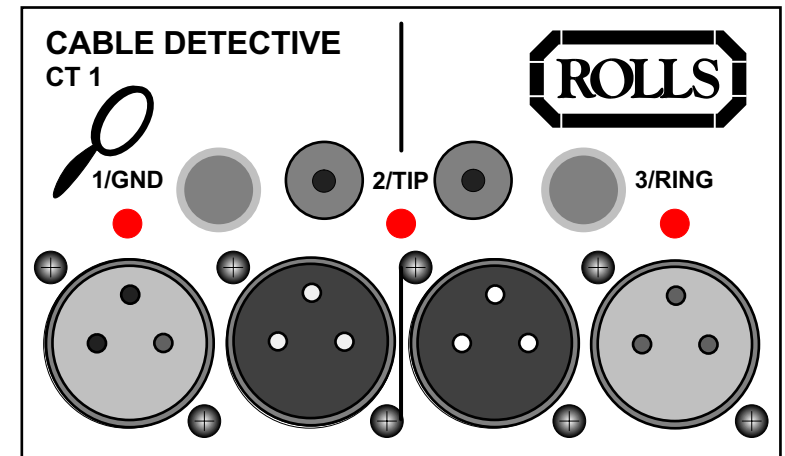
CT 1 CABLE DETECTIVE

- Tests 1/4", RCA, XLR and MIDI cables
- Tests combinations of the above
- Easy-to-read LED indication

Any musician or sound person knows how difficult it is to maintain cables. The CT 1 provides an efficient way to detect shorted or open cables. The unit tests 1/4" TS, 1/4" TRS, RCA, and XLR cables. It tests MIDI cables, plus, it will test combinations of the above.



CT 1 CABLE DETECTIVE Cable Tester



Owners Manual

INTRODUCTION

Thank you for your purchase of the CT 1 CABLE DETECTIVE cable tester. This unit was designed with the working musician and sound person in mind. Read the following manual carefully to ensure proper operation and a full understanding of all the CT 1 functions.

Tests for: Opens
Shorts
Intermittents
Crossed wires

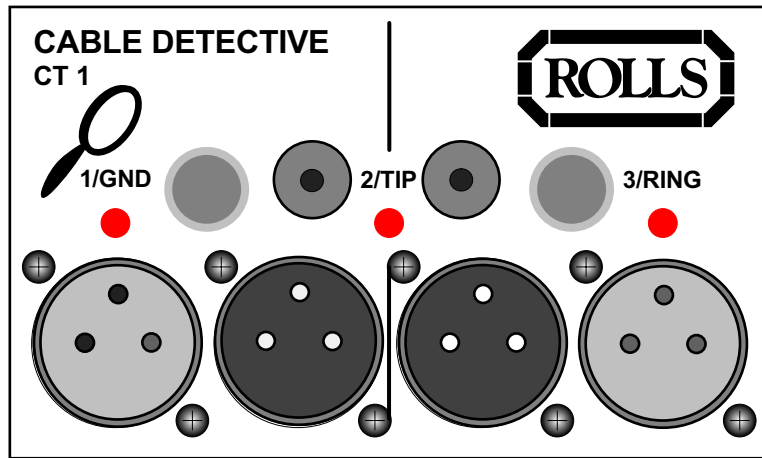
DESCRIPTION

The CT 1 consists of two RCA jacks, two 1/4" jacks, two female XLR, two male XLR jacks, and two MIDI jacks.

LED 1/GND: Indicates continuity between pins 1 of an XLR cable or MIDI cable, or ground on an RCA or 1/4" cable.

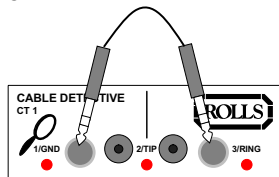
LED 2/TIP: Indicates continuity between pins 2 of an XLR cable, or the tip on an RCA or 1/4" cable.

LED 3/RING: Indicates continuity between pins 3 of an XLR cable or MIDI cable, or the ring of a 1/4" cable.



OPERATION

Insert one end of the cable to be tested on the left side of the line, located in the middle of the CT 1, and the other side of the cable on the right side of the line. See example below.



To test RCA and 1/4" TS cables, plug each end of the cable into the proper jack and wiggle the cable around at different points on the cable. Watch the 1 and 2 LEDs, if either LED is off, or goes on and off - the cable is bad.

The testing procedure for 1/4" TRS (stereo) and XLR cables is identical to the above, except watch the 1, 2 and 3 LEDs.

Adapter type cables, such as 1/4" to XLR cables, may also be tested by plugging each end into it's proper jack on either side of the line. Test as indicated above.

To test a MIDI cable, plug each end of the cable into the MIDI jacks and test as described above. Watch the 1 and 2 LEDs, if either LED is off, or goes on and off - the cable is bad.

NOTE: WHEN TESTING A 1/4" MONO TO RCA CABLE, CONNECT THE 1/4" PLUG TO THE LEFT 1/4" JACK AND THE RCA TO THE RIGHT RCA JACK. DUE TO A PARTICULAR CIRCUIT CONSIDERATION, TESTING VICE VERSA (WITH THE 1/4" ON THE RIGHT AND THE RCA ON THE LEFT) WILL BE INACCURATE.

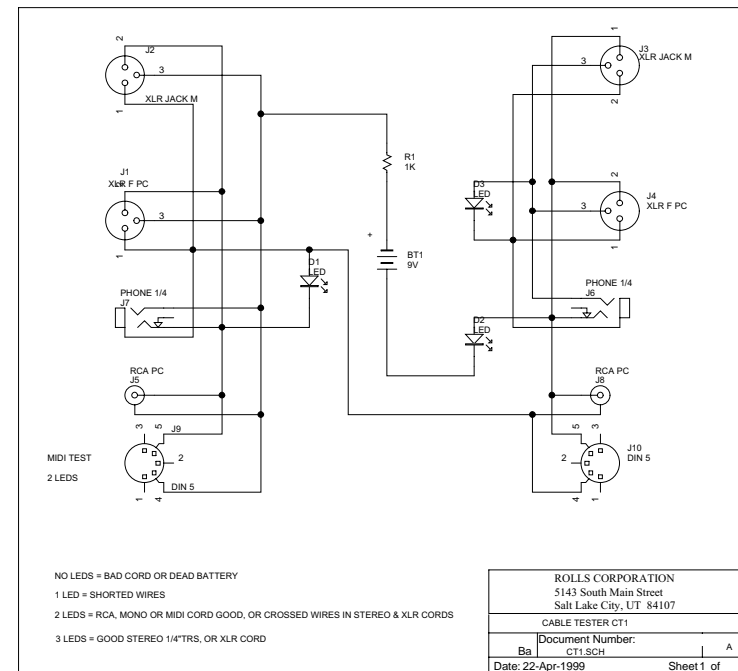
TEST INDICATORS

NO LEDS = BAD CORD OR DEAD BATTERY

1 LED = SHORTED WIRES

2 LEDS = RCA, MIDI OR MONO CORD GOOD, OR CROSSED WIRES IN STEREO & XLR CORDS

3 LED = GOOD STEREO 1/4" TRS, OR XLR CORD



Free Manuals Download Website

<http://myh66.com>

<http://usermanuals.us>

<http://www.somanuals.com>

<http://www.4manuals.cc>

<http://www.manual-lib.com>

<http://www.404manual.com>

<http://www.luxmanual.com>

<http://aubethermostatmanual.com>

Golf course search by state

<http://golfingnear.com>

Email search by domain

<http://emailbydomain.com>

Auto manuals search

<http://auto.somanuals.com>

TV manuals search

<http://tv.somanuals.com>