

Thank you for your purchase of the DB14 AV PRESENTER. The DB14 is a special purpose direct box for applications such as connecting a laptop computer to a sound system. Or where needed, a stereo source signal can be separated, and individual volume controls used for each track such as a rehearsing choir to a music track. It has stereo RCA inputs, a stereo 1/8" (3.5mm), 2 volume controls, RCA and XLR outputs, and uses no power.

### DESCRIPTION

**Right/Left In:** RCA and 1/8" input jacks. For connection to a laptop computer, CD player, DVD player, etc.  
**R/L Out:** RCA jacks for sending the input signals out to a line level amplification device.  
**Low Z Out:** Male XLR jack for sending out a mix of both A and B signals.  
**Right/Left Volume:** Controls the level of each input signal independently.  
**GND-LIFT:** Ground/Lift switch for disconnecting the ground of the XLR jack from the ground of the DB14b.

### SPECIFICATIONS

Max Input Level:	+20 dB
Max Output Level:	+20dB RCA, 0 dB XLR
Frequency Response:	(Low Z) 50 Hz to 16 kHz
Weight:	1 lb (.45 kg)
Size:	2" x 3.5" x 1.25" (5 x 9 x 3.2 cm)

### Owners Manual

### CONNECTION

Shown below is a connection example for the DB14b. The laptop computer's stereo output is connected to the 3.5mm stereo input of the DB14b via a stereo 3.5mm to 3.5mm cable.

**NOTE:** The Right and Left signal levels are adjusted individually by the Right and Left Volume controls.

The XLR output is connected to a balanced low impedance input on a snake or a mixer balanced input.

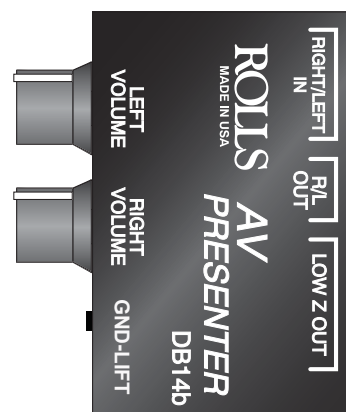
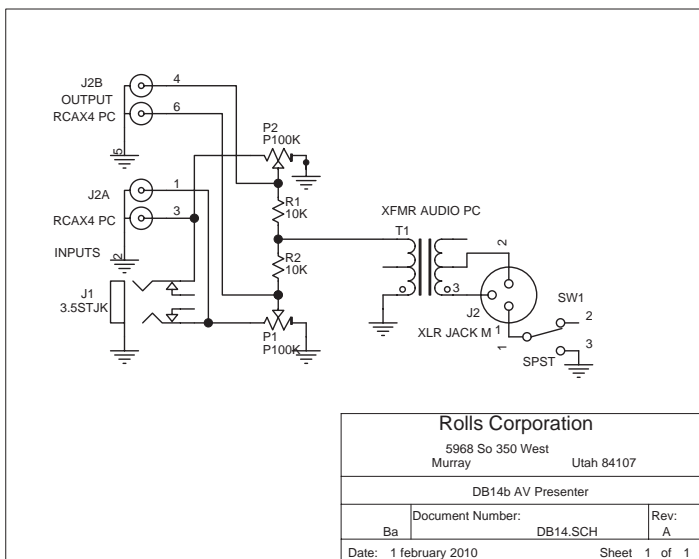
The two stereo RCA outputs may be connected to unbalanced high impedance stereo, or individual right and left mixer inputs.



### WARRANTY

For information on the Rolls One Year Limited Warranty, and to register this product, visit our website at [www.rolls.com](http://www.rolls.com)

### SCHEMATIC



# ROLLS

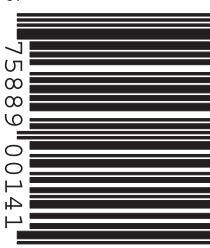
## DB14 AV PRESENTER

- DB14 AV PRESENTER
- Splits Stereo RCA and stereo 1/8" (3.5mm) signals
- Individual Right and Left level controls
- Transformer balanced XLR mono output.

The DB14 is a special purpose direct box for applications where a stereo source signal can be separated, and individual volume controls used for each track such as an AV presentation from a laptop computer, or a rehearsing choir to a music track. It has stereo RCA and 1/8" inputs, 2 volume controls, RCA and XLR outputs, and uses no power.



Rolls Corporation  
02-10



DB14b AV Presenter

## Free Manuals Download Website

<http://myh66.com>

<http://usermanuals.us>

<http://www.somanuals.com>

<http://www.4manuals.cc>

<http://www.manual-lib.com>

<http://www.404manual.com>

<http://www.luxmanual.com>

<http://aubethermostatmanual.com>

Golf course search by state

<http://golfingnear.com>

Email search by domain

<http://emailbydomain.com>

Auto manuals search

<http://auto.somanuals.com>

TV manuals search

<http://tv.somanuals.com>