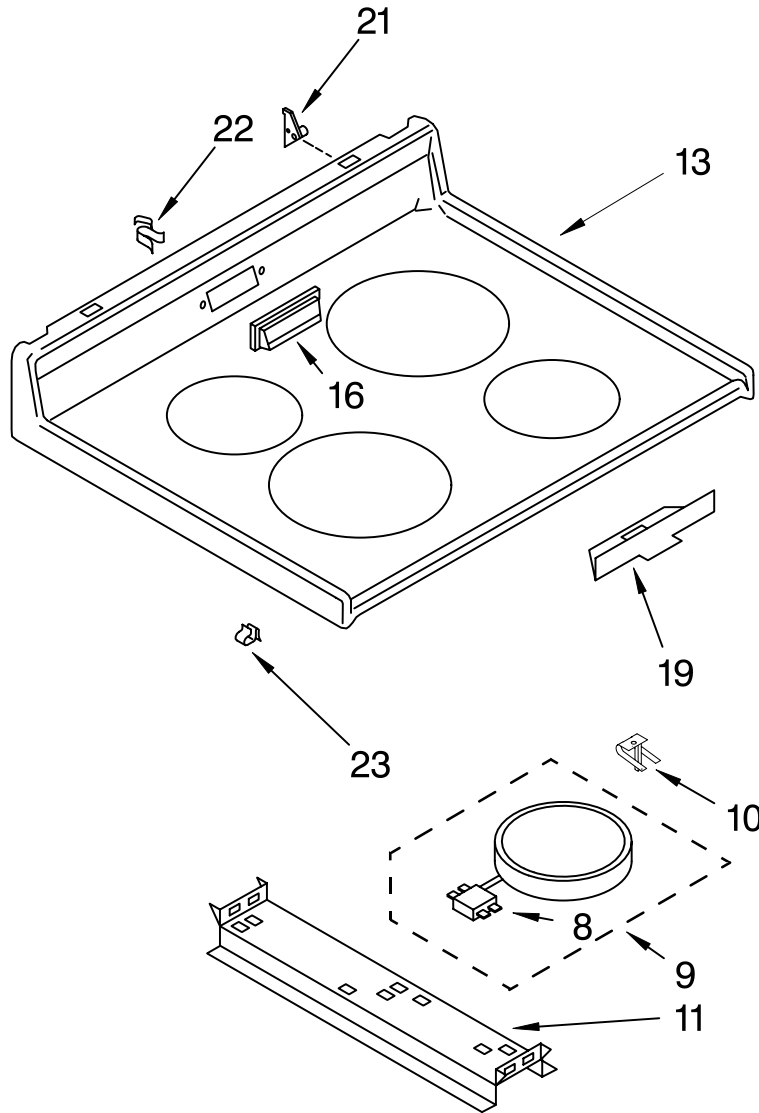


COOKTOP PARTS

For Model: FES364BW2, FES364BL2
(White) (Almond)

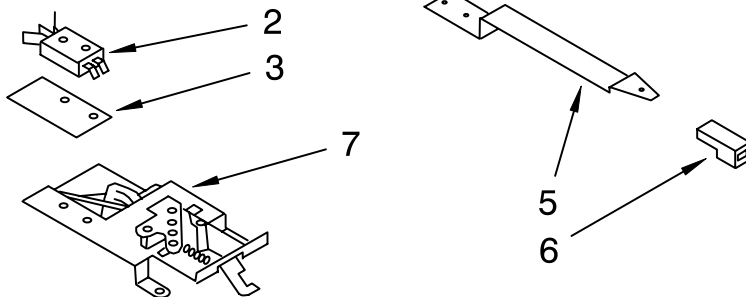
30" ELECTRONIC RANGE
FREESTANDING
Self-Clean Oven
Full Width Ceramic Cooktop



Illus. No.	Part No.	DESCRIPTION
------------	----------	-------------

NOTE: The screws and nuts required to attach a part are listed immediately following that part.

2	3169497	Safety Switch
	3169547	Screw (2)
3	3169498	Insulator, Switch
5	3169081	Handle, Latch
	308422	Screw (2)
6	3148684	Knob, Latch
	155023	Screw
7	3148668	Latch, Lock
8		Limiter, Temp.
	3169553	1700W, RF-LR
	3169554	2100W, LF-RR
9		Element, Surface (Includes #8)
	3169544	1700W, RF-LR
	3169545	2100W, LF-RR
10	3149191	Spring (8)
	246119	Screw (8)
11	3183087	Bracket, Element Support
	3149333	Screw (4)
13		Cooktop
	3184122	White
	3184123	Almond
	3367670	Screw, (2)
16		Cover, Vent
	3149011	White
	3149012	Almond
19	3183510	Shield, Probe
21		Bracket, Cooktop
	3169294	Right
	3169295	Left
	343641	Screw, 10x1/2 (2)
22	3149190	Clip, Mounting (2) (Vent Cover)
23	311311	Clip, Wire



LITERATURE PARTS

LIT3187321	Instructions, Installation
LIT3187697	Use and Care Guide
LIT3169489	Wiring Diagram
LIT3150400	Installation Instr (Templet)

Following May Be Purchased

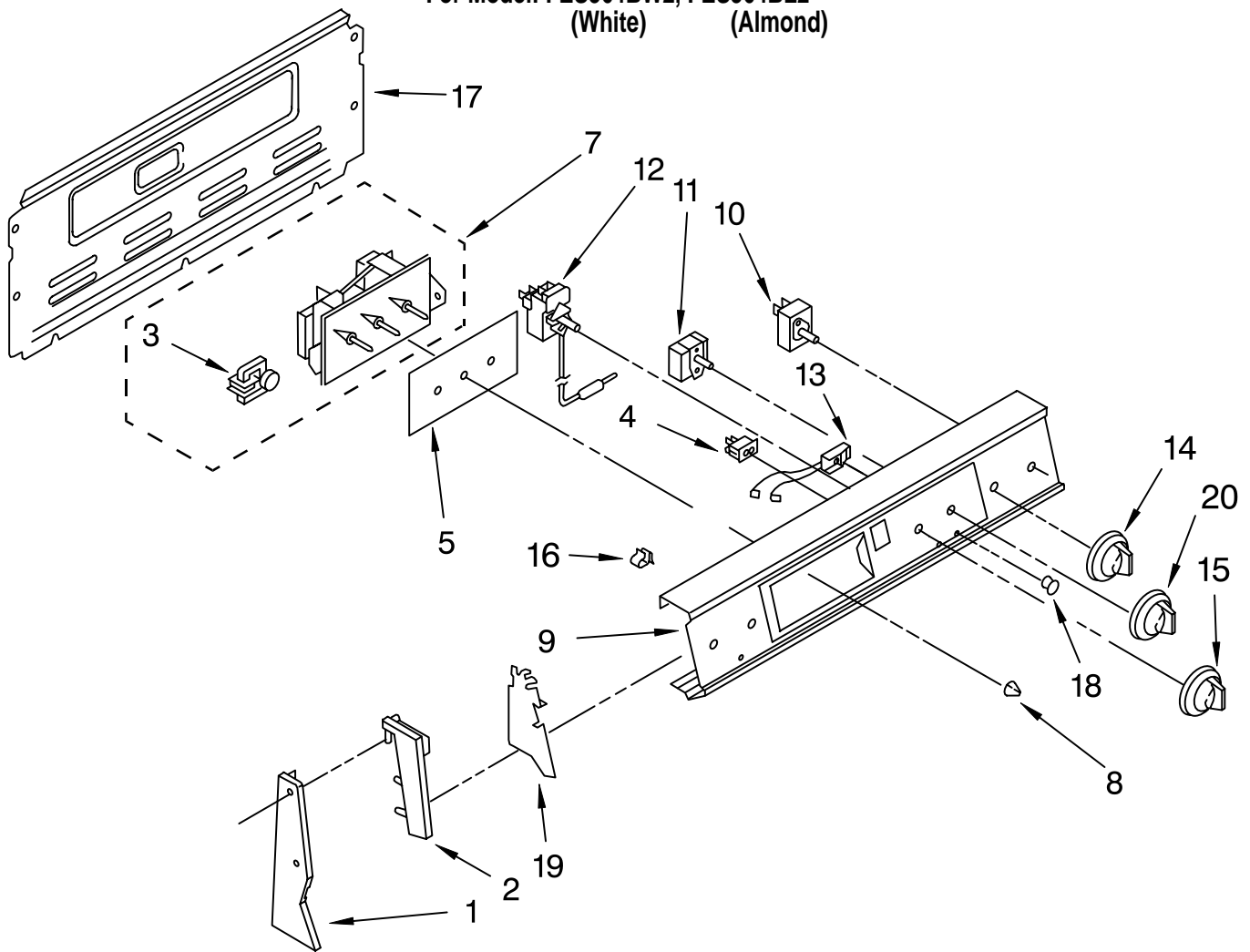
DO-IT-YOURSELF REPAIR MANUALS

LIT677973 Manual, Range

FOR ORDERING INFORMATION REFER TO PARTS PRICE LIST

CONTROL PANEL PARTS

For Model: FES364BW2, FES364BL2
(White) (Almond)



Illus. No.	Part No.	DESCRIPTION
------------	----------	-------------

NOTE: The screws and nuts required to attach a part are listed immediately following that part.

1	3183092	End Trim R.H.
	3183093	End Trim L.H.
	343641	Screw, 10-16 x 1/2 (4)
2	3150441	End Cap R.H.
	3150442	End Cap L.H.
	254225	Screw, 8BT x 1/4 (4)
3	309822	Motor, Timer
4	3148564	Switch, Rocker
5	313513	Glass, Timer

Illus. No.	Part No.	DESCRIPTION
------------	----------	-------------

7	661458	Timer, Control
	246132	Screw (2)
8	3169182	Knob, (3) Timer
9	3169532	Panel, Control
	3148952	6" Unit (2)
	3148953	8" Unit (2)
10	308119	Screw, 8-32 x 1/4 (8)
	3169310	Switch, Selector (5 Position)
11	3150344	Screw (2)
	3169526	Thermostat, Oven
12	311932	Screw, 6-32 x 1/4 (2)
	314031	Indicator Light
13	3150662	(1)
	3148719	Light, (1)

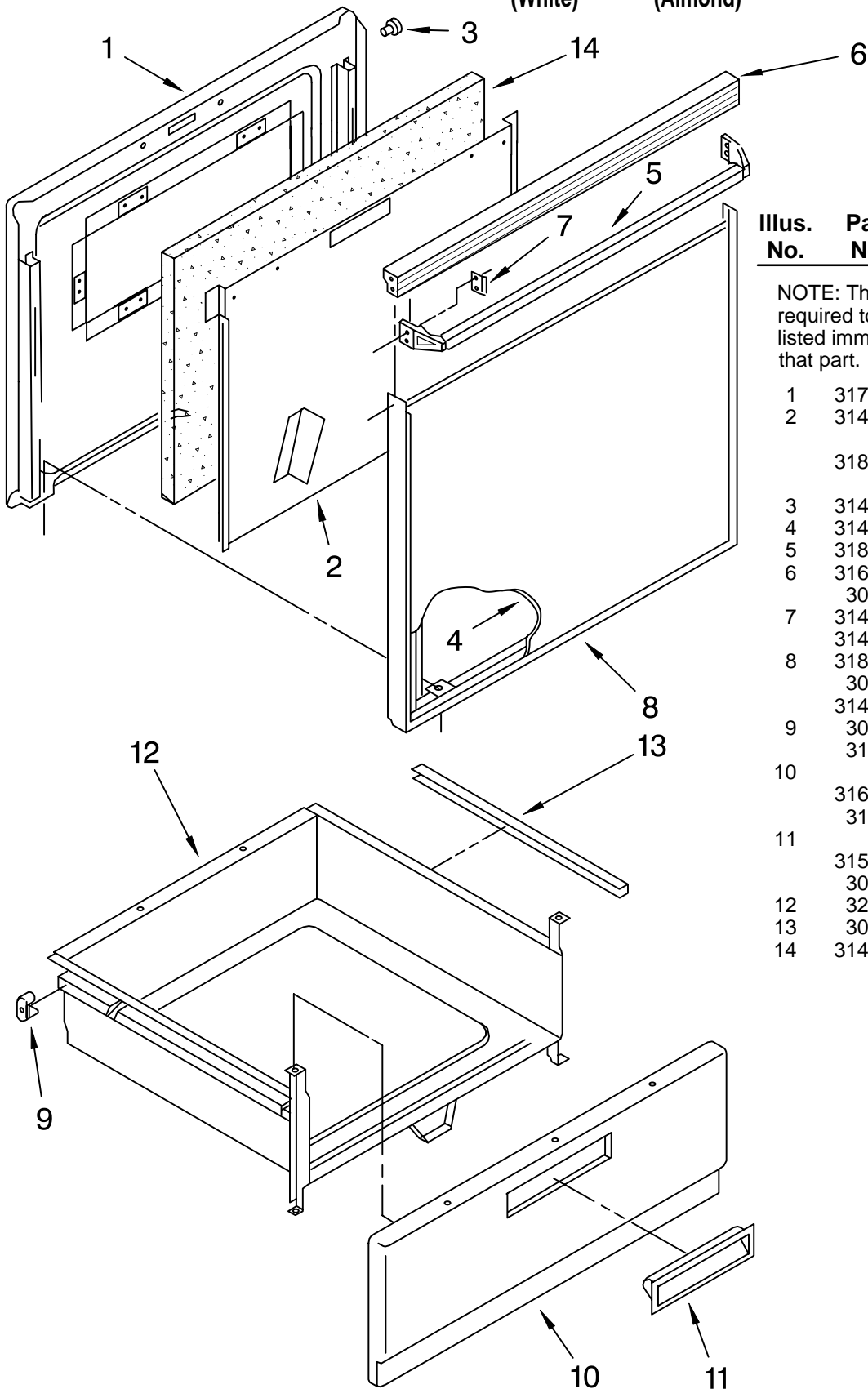
Illus. No.	Part No.	DESCRIPTION
------------	----------	-------------

14	3149983	Knob, Control (4)
		(Infinite Switch)
15	3149988	Knob, Control (Thermostat)
16	3169449	Tube Clip
17	3187332	Rear Cover
		Control Panel
	343641	Screw, 10-16 x 1/2 (8)
18	313101	Lens, Amber (3)
19	313608	Shield, Glass (2)
		246132
20	3149986	Knob, Control (Selector)

FOR ORDERING INFORMATION REFER TO PARTS PRICE LIST

DOOR AND DRAWER PARTS

For Model: FES364BW2, FES364BL2
(White) (Almond)



Illus. No.	Part No.	DESCRIPTION
------------	----------	-------------

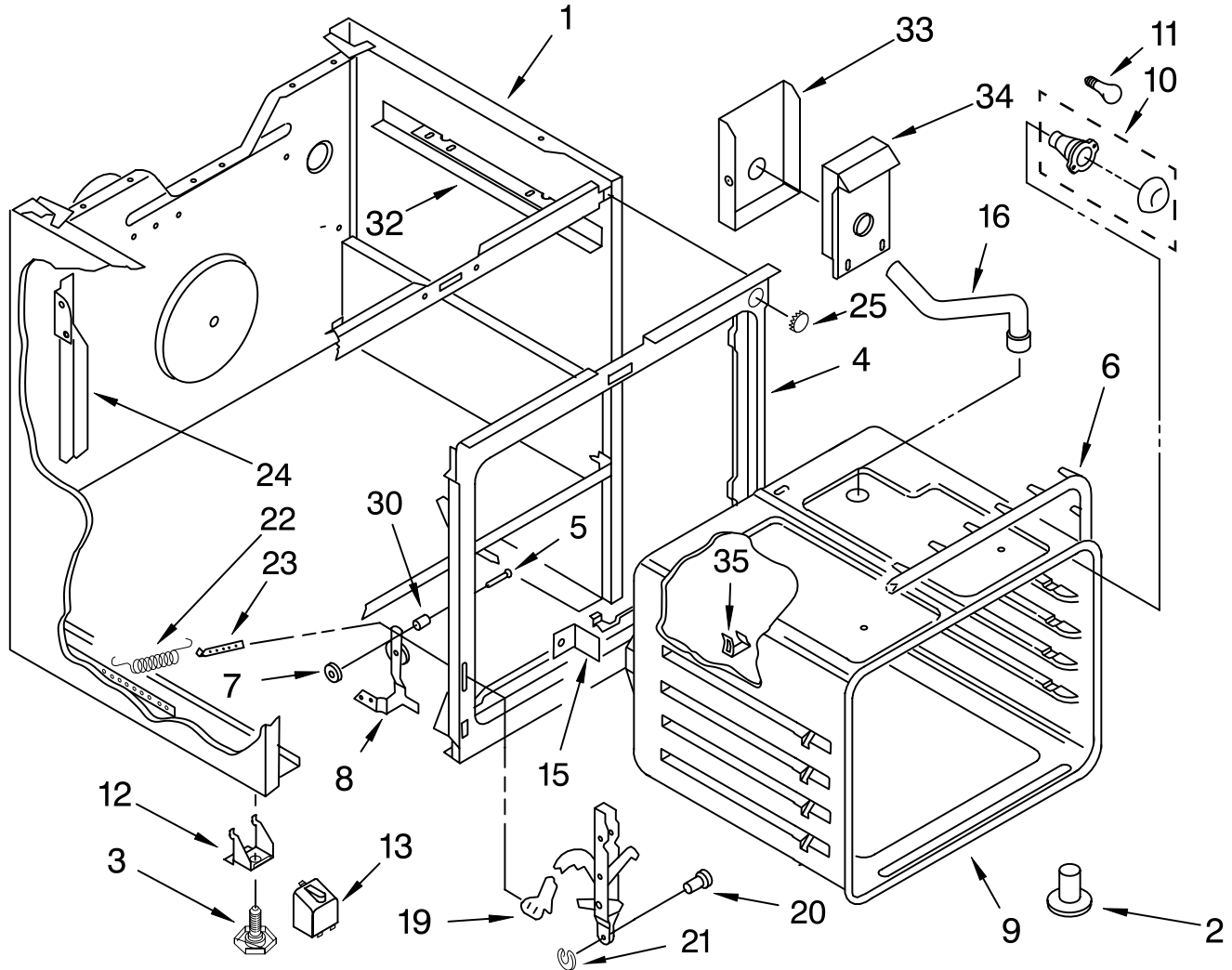
NOTE: The screws and nuts required to attach a part are listed immediately following that part.

1	3172219	Liner, Oven Door
2	3148160	Retainer, Insulation
	3185647	Screw (4) 8-18 x 3/8
3	3148182	Bumper, Door (4)
4	3148186	Panel, Glass
5	3184128	Handle, Door
6	3169515	Door Top, Vent
	307748	Screw (2)
7	3148282	Clip, Handle (2)
	3149253	Screw (4)
8	3188997	Frame, Door
	307748	Screw (3)
	3149253	Screw (4)
9	307980	Glide, Rear (2)
	313349	Screw, 8-18 x 1/2
10	3169432	Black Panel, Drawer
	313349	Screw, 8-18 x 1/2
11	3150615	Black Handle, Snap-In
	309029	Screw, (2)
12	327887	Drawer, Utility
13	309329	Protector (2)
14	3147954	Insulation

FOR ORDERING INFORMATION REFER TO PARTS PRICE LIST

OVEN PARTS

For Model: FES364BW2, FES364BL2
(White) (Almond)



Illus. No.	Part No.	DESCRIPTION
NOTE: The screws and nuts required to attach a part are listed immediately following that part.		
1	330086	Main Chassis White
	330090	Almond
	690989	Screw, 10-32 x 1/2
2	3169109	Tube, Vent
	307748	Screw (8)
3	3169499	Leg Leveling (4)
4	3176718	Frame, Front
	311056	Screw (2)
	3150537	Screw (1)
5	307985	Pin, Hinge (2)
6	3169251	Seal, Door
7	308306	Pushnut (2)
8	3176710	Hinge, R.H.
	3176711	Hinge, L.H.
	343641	Screw, 10-16 x 1/2 (4)

Illus. No.	Part No.	DESCRIPTION
9	3176611	Oven (30" Pyro)
	311056	Screw (3)
10	3150505	Socket, Lamp
11	311255	Bulb, Oven Light
12	3169418	Support, Foot (2)
	343641	Screw (2)
13	3169448	Cover, Foot (2)
15	311220	Bracket, Oven Mounting
	343641	Screw, 10-16 x 1/2 (4)
16	3169365	Vent, Tube (Extension)
	307748	Screw, 10A x 1/2 (2)
19	3176709	Channel, Arm (2)
20	307986	Hinge Pin (2)
21	307594	Ring, Retainer (2)
22	308127	Spring, Oven Door (2)
23	308125	Anchor, Spring (2)

Illus. No.	Part No.	DESCRIPTION
24	313196	Support, L.H. Post
	313197	Support, R.H. Post
	343641	Screw, 10-16 x 1/2 (4)
25	308535	Plug, Button
30	309111	Snubber, Door (2)
32	3147646	Support, Chassis
	309112	Screw (4)
33	3149006	Shield, Box
	98520	Screw (3)
34	3169278	Vent, Box
	313349	Screw (2)
35	313382	Clip, Therm. Bulb

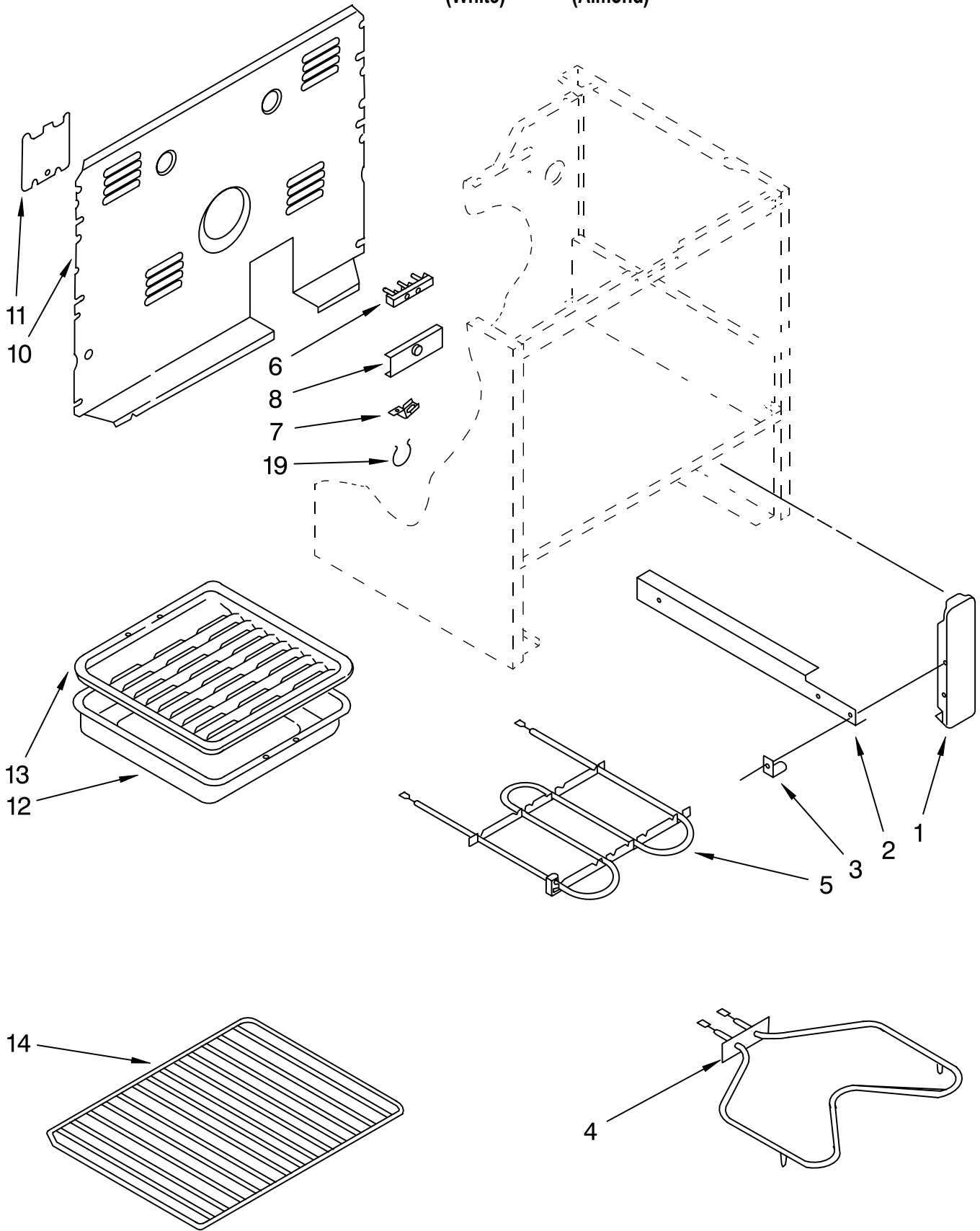
Following Parts Not Illustrated

- 3169093 Insulation, Wrapper
- 3169094 Insulation, Oven Back

FOR ORDERING INFORMATION REFER TO PARTS PRICE LIST

UNIT PARTS

For Model: FES364BW2, FES364BL2
(White) (Almond)



FOR ORDERING INFORMATION REFER TO PARTS PRICE LIST

UNIT PARTS

For Model: FES364BW2, FES364BL2
(White) (Almond)

Illus. No.	Part No.	DESCRIPTION
NOTE: The screws and nuts required to attach a part are listed immediately following that part.		
1	3169420	Bracket, Mounting (2)
2	3149255	Rail R.H.
	3149256	Rail L.H. (Includes Illus. 3)
	307748	Screw, 10A x 1/2 (2)
3	3149257	Glide, Front (2)
4	661170	Unit, Bake (240V) 308180 (Alt.) 313827 (Alt.)
	3150532	Screw, 10-32 x 7/16 (2)

Illus. No.	Part No.	DESCRIPTION
5	660579	Unit, Broil (240V) 311714 (Alt.) 311713 (Alt.)
	3150532	Screw, 10-32 x 7/16 (2)
6	258076	Terminal Block
	98884	Screw, 10-16 x 1 (2)
	112432	Nut (6)
7	308498	Ground Strap
	313660	Clip
	690989	Screw, 10-32 x 1/2
8	3150190	Bracket, Service
	343641	Screw, 10-16 x 1/2 (2)
10	3148975	Cover, Rear
	343641	Screw, 10-16 x 1/2 (7)

Illus. No.	Part No.	DESCRIPTION
11	307972	Cover, Service
	343641	Screw, 10-16 x 1/2 (2)
12	3169076	Pan, Broiler
13	3147563	Rack, Broiler
14	308173	Rack, Oven (Straight)
19	313438	Clip, Harness (2)

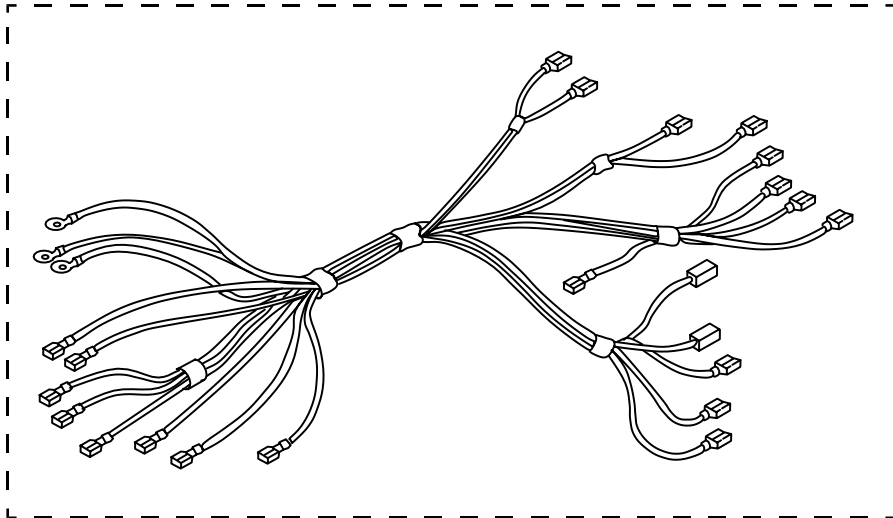
Following Parts Not Illustrated

814091	Anti-Tip Kit (Floor Mount)
3184477	Glass Cleaner
3183488	Window Scrapper

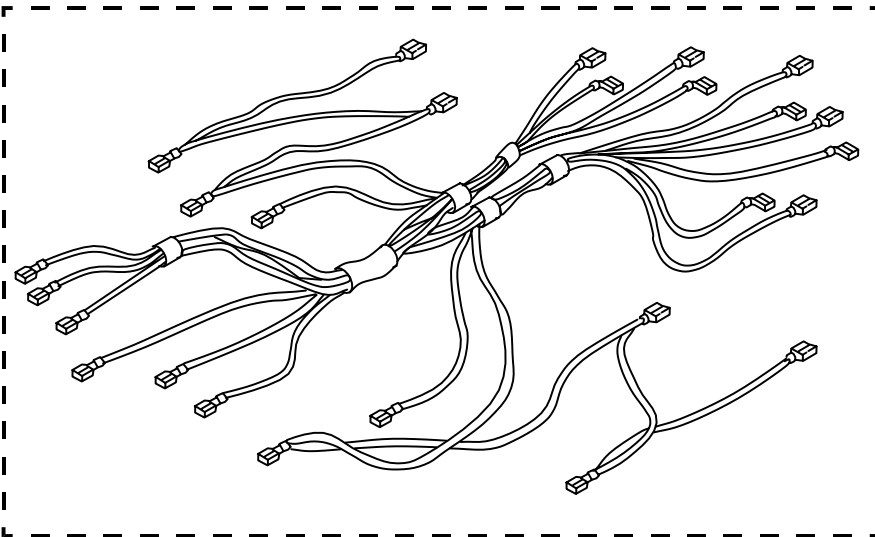
FOR ORDERING INFORMATION REFER TO PARTS PRICE LIST

WIRING HARNESS PARTS

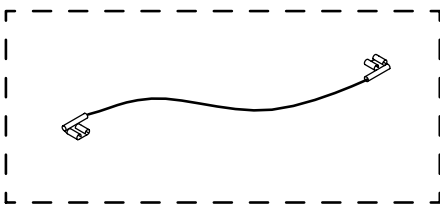
For Model: FES364BW2, FES364BL2
(White) (Almond)



← 1

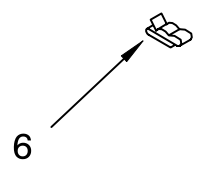


Illus. No.	Part No.	DESCRIPTION
1	3169485	Harness, (Oven)
2	3169450	Harness, (Lock Switch)
3	3169550	Harness, (Cooktop)
5	3184020	Wire, Ground
6	311311	Clip, Wire



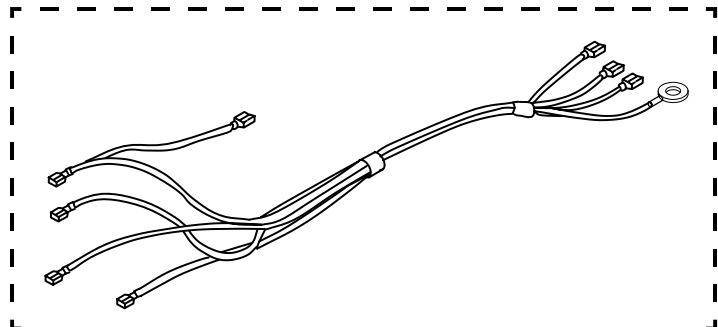
← 5

← 3



← 6

← 2



FOR ORDERING INFORMATION REFER TO PARTS PRICE LIST

OPTIONAL PARTS NOT INCLUDED

For Model: FES364BW2, FES364BL2
(White) (Almond)

Illus. No.	Part No.	DESCRIPTION
<u>SPLICING WIRES--25FT. LENGTH</u>		
242828		Wire, Black 12 Ga. 150°c
242820		Wire, Black 14 Ga. 150°c
242821		Wire, Blue 14 Ga. 150°c
242822		Wire, Brown 14 Ga. 150°c
242830		Wire, Brown 14 Ga. 200°c
242823		Wire, Green 14 Ga. 150°c
242824		Wire, Orange 14 Ga. 150°c
242829		Wire, Red 12 Ga. 150°c
242825		Wire, Red 14 Ga. 150°c
242831		Wire, Red 14 Ga. 200°c
242826		Wire, White 14 Ga. 150°c
242827		Wire, Yellow 14 Ga. 150°c
242832		Wire, Yellow 14 Ga. 200°c

Illus. No.	Part No.	DESCRIPTION
<u>PAINT, TOUCH-UP (1/2oz.)</u>		
	72017	White
	72107	Almond
	72109	New Avocado
	72108	Coffee
	72110	Harvest Gold
	72112	Toast
	72113	Platinum
	**511873	White Porcelain (2 Oz.)
<u>PAINT, PRESSURIZED SPRAY (13 oz.)</u>		
	350930	White
	350956	Almond
	261888	New Avocado
	261886	Coffee
	261890	Harvest Gold
	285365	Toast
	285366	Platinum
	285006	Superior Black
	206922	Primer (White)
	206925	Leveler (Thinner) (2 Oz.)
<u>PAINT, BULK (1 qt.)</u>		
	799344	White (Uncut)
	978883	Almond (Uncut)
	261891	Harvest Gold (Uncut)
	285367	Toast (Uncut)
	285368	Platinum (Uncut)

Illus. No.	Part No.	DESCRIPTION
<u>REFINISHING MATERIAL</u>		
	799832	Kit, Porcelain Repair (White)
	242756	Touch-Up Self-Clean (1/2 Pt.)
	261582	Grease
	814009	Glass Cleaner
<u>Following May Be Purchased</u>		
<u>DO-IT-YOURSELF REPAIR MANUALS</u>		
	LIT677973	Manual, Range
<u>INSULATION</u>		
	261514	Insulation, Fiberglass (1-1/2" x 24" x 120")
	240132	Insulation, Fiberglass (2-1/2" x 22" x 120")
	241430	Foil, Aluminum Oven (18" x 25')
<u>ANTI-TIP KIT</u>		
	814234	Anti-Tip Kit (Wall Mount)
**Note: Cooktop Surface is Porcelain; All Other Panels are Painted Surfaces.		

FOR ORDERING INFORMATION REFER TO PARTS PRICE LIST

Free Manuals Download Website

<http://myh66.com>

<http://usermanuals.us>

<http://www.somanuals.com>

<http://www.4manuals.cc>

<http://www.manual-lib.com>

<http://www.404manual.com>

<http://www.luxmanual.com>

<http://aubethermostatmanual.com>

Golf course search by state

<http://golfingnear.com>

Email search by domain

<http://emailbydomain.com>

Auto manuals search

<http://auto.somanuals.com>

TV manuals search

<http://tv.somanuals.com>