

MultiVideo™

KVM SWITCH WITH MULTIPLE VIDEO

INSTALLATION AND OPERATIONS SUPPLEMENT



10707 Standliff Road
Phone: (281) 933-7673

Houston, Texas 77099
Internet: WWW.ROSE.COM

Download from Www.Somanuals.com. All Manuals Search And Download.

LIMITED WARRANTY

Rose Electronics warrants the MultiVideo™ to be in good working order for one year from the date of purchase from Rose Electronics or an authorized dealer. Should this product fail to be in good working order at any time during this one-year warranty period, Rose Electronics will, at its option, repair or replace the Unit as set forth below. Repair parts and replacement units will be either reconditioned or new. All replaced parts become the property of Rose Electronics. This limited warranty does not include service to repair damage to the Unit resulting from accident, disaster, abuse, or unauthorized modification of the Unit, including static discharge and power surges.

Limited Warranty service may be obtained by delivering this unit during the one-year warranty period to Rose Electronics or an authorized repair center providing a proof of purchase date. If this Unit is delivered by mail, you agree to insure the Unit or assume the risk of loss or damage in transit, to prepay shipping charges to the warranty service location, and to use the original shipping container or its equivalent. You must call for a return authorization number first. Under no circumstances will a unit be accepted without a return authorization number. Contact an authorized repair center or Rose Electronics for further information.

ALL EXPRESS AND IMPLIED WARRANTIES FOR THIS PRODUCT INCLUDING THE WARRANTIES OF MERCHANTABILITY AND FITNESS FOR A PARTICULAR PURPOSE, ARE LIMITED IN DURATION TO A PERIOD OF ONE YEAR FROM THE DATE OF PURCHASE, AND NO WARRANTIES, WHETHER EXPRESS OR IMPLIED, WILL APPLY AFTER THIS PERIOD. SOME STATES DO NOT ALLOW LIMITATIONS ON HOW LONG AN IMPLIED WARRANTY LASTS, SO THE ABOVE LIMITATION MAY NOT APPLY TO YOU.

IF THIS PRODUCT IS NOT IN GOOD WORKING ORDER AS WARRANTED ABOVE, YOUR SOLE REMEDY SHALL BE REPLACEMENT OR REPAIR AS PROVIDED ABOVE. IN NO EVENT WILL ROSE ELECTRONICS BE LIABLE TO YOU FOR ANY DAMAGES INCLUDING ANY LOST PROFITS, LOST SAVINGS OR OTHER INCIDENTAL OR CONSEQUENTIAL DAMAGES ARISING OUT OF THE USE OF OR THE INABILITY TO USE SUCH PRODUCT, EVEN IF ROSE ELECTRONICS OR AN AUTHORIZED DEALER HAS BEEN ADVISED OF THE POSSIBILITY OF SUCH DAMAGES, OR FOR ANY CLAIM BY ANY OTHER PARTY.

SOME STATES DO NOT ALLOW THE EXCLUSION OR LIMITATION OF INCIDENTAL OR CONSEQUENTIAL DAMAGES FOR CONSUMER PRODUCTS. SO THE ABOVE MAY NOT APPLY TO YOU. THIS WARRANTY GIVES YOU SPECIFIC LEGAL RIGHTS AND YOU MAY ALSO HAVE OTHER RIGHTS WHICH MAY VARY FROM STATE TO STATE.

NOTE: This equipment has been tested and found to comply with the limits for a Class A digital device, pursuant to Part 15 of the FCC Rules. These limits are designed to provide reasonable protection against harmful interference when the equipment is operated in a commercial environment. This equipment generates, uses, and can radiate radio frequency energy and, if not installed and used in accordance with the instruction manual, may cause harmful interference to radio communications. Operation of this equipment in a residential area is likely to cause harmful interference in which case the user will be required to correct the interference at his own expense.

IBM®, AT, and PS/2 are trademarks of International Business Machines Corp.
Microsoft® and Microsoft Windows™ are registered trademarks of Microsoft Corp.
Apple, Macintosh, and ADB are trademarks of Apple Computer, Inc.
Sun is a registered trademark of Sun Microsystems Inc.
Any other trademarks mentioned in this manual are acknowledged to be the property of the trademark owner.

Copyright © Rose Electronics 1990-2002. All rights reserved.
No part of this manual may be reproduced, stored in a retrieval system, or transcribed in any form or any means, electronic or mechanical, including photocopying and recording, without the prior written permission of Rose Electronics.

Rose Electronics Part # MAN-MV1.3
Printed In the United States of America ■

Download from [Www.Somanuals.com](http://www.Somanuals.com). All Manuals Search And Download.

This manual supplement explains the additional information needed to install and configure the MultiVideo products. Use this supplement in conjunction with the supplied manual. The supplied manual explains the additional features and the on-screen display capability of the MultiVideo.

System overview

The MultiVideo is designed to provide seamless, trouble-free switching from a single KVM station to any connected computer and display the multi-video output from the computer. You can switch to any of the connected computers by simple keyboard commands, the front panel – or + buttons, or from a computer terminal or standalone PC connected to the RS/232 serial port (not connected to a CPU port). With the OSD option, you can switch to a connected computer from an on-screen list of the connected computers.

Refer to the UltraView Pro manual for detailed switching instructions.

If your system demands are greater than a single unit can provide, the MultiVideo can be easily expanded to connect up to 64 computers by chaining units together with expansion cables. All MultiVideo models can easily be expanded by chaining the units together and configuring the system. Using the 2 port "M"-chassis, you can expand the system to 4 computers. The 4 port "B"-chassis can expand to 16 computers, and the 8 port "C"-chassis can expand to 64 computers.

Features

- Access up to 64 computers from one KVM station
- Optional On-Screen-Display
- Available in three different chassis sizes:
 - M - Chassis - 2 CPUs to 1 Kbd, 1 mouse, and 2 monitors
 - B - Chassis - 4 CPUs to 1 Kbd, 1 mouse, and 2 monitors
 - C - Chassis - 2 CPUs to 1 Kbd, 1 mouse, and 4 monitors
4 CPUs to 1 Kbd, 1 mouse, and 4 monitors
8 CPUs to 1 Kbd, 1 mouse, and 2 monitors

VIDEO connection

Video inputs 2-4 are DB25F connectors. A DB25 to HD15 cable is needed for each video output from a CPU.

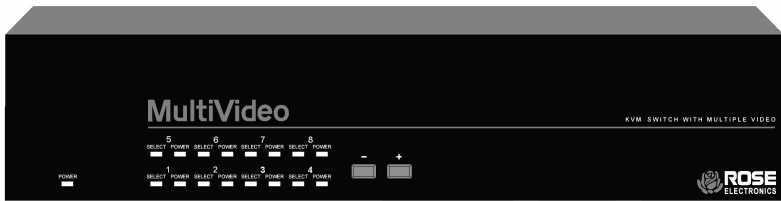
MultiVideo models



M – Chassis



B – Chassis



C - Chassis

Figure 1. MultiVideo models

| Label | | Description |
|-------------------|--|--|
| Power | | Power LED - Green when unit is on |
| LEDs | | Indicator LEDs; Numbered pairs of LEDs shows status and power of connected computers |
| - and + Switches* | | - Connects to the previous CPU + Connects to the next CPU |

* The - and + switches are used when:

- upgrading the firmware
- resetting the unit to factory defaults
- running diagnostics.

Table 1. Front panel

MultiVideo models (rear)

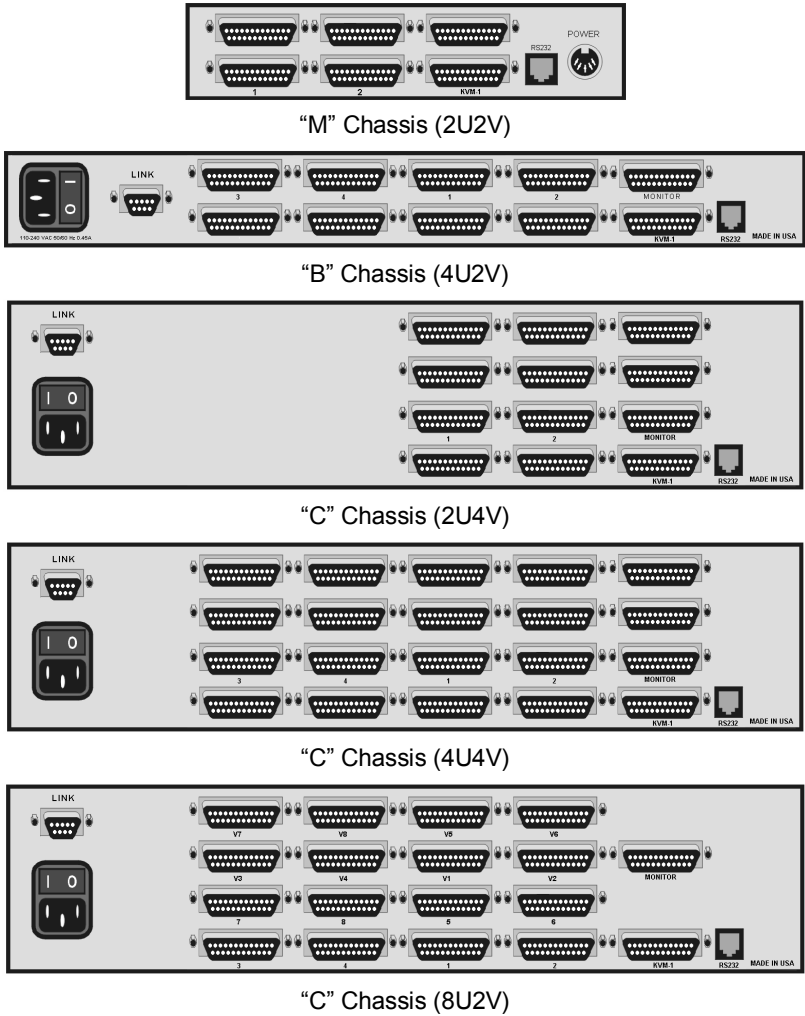


Figure 2. Rear panel

NOTE: DB9 (LINK) connector on Video expansion units only
Power connector not used on Video expansion unit.




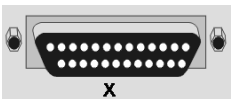




| Label | Connector | Description |
|----------------|---|---|
| Power |  | "M" Chassis only DIN 5F Power adapter connector |
| None |  | "B" and "C" Chassis only IEC320 Power receptacle w/switch |
| Link |  | DB9F – Expansion connector (Video expansion models only) |
| X = CPU # |  | DB25F – CPU connectors |
| X = Video # |  | DB25F – CPU monitor only connectors |
| KVM-1 |  | DB25F - KVM connector. |
| MONITOR |  | DB25F - KVM additional monitor(s) |
| RS232 |  | RJ12 6-conductor jack |

Table 2. Rear panel connectors

Cables

Master to Slave unit cables

In systems needing additional CPUs, the MultiVideo can be cascaded to other MultiVideos. To cascade a MultiVideo to other "Slave" units, you will need one DB25M to DB25M, switch-to-switch cable for each cascaded unit.

The MultiVideo can also be expanded to add additional Video ports. A DB9M to DB9M, switch-to-switch cable is used with the MultiVideo video expansion units.

(Rose Electronics switch-to-switch cable part number CAB-CXVSMnnn.)
(See Appendix B for cable part numbers)

INSTALLATION

Installation – Single unit

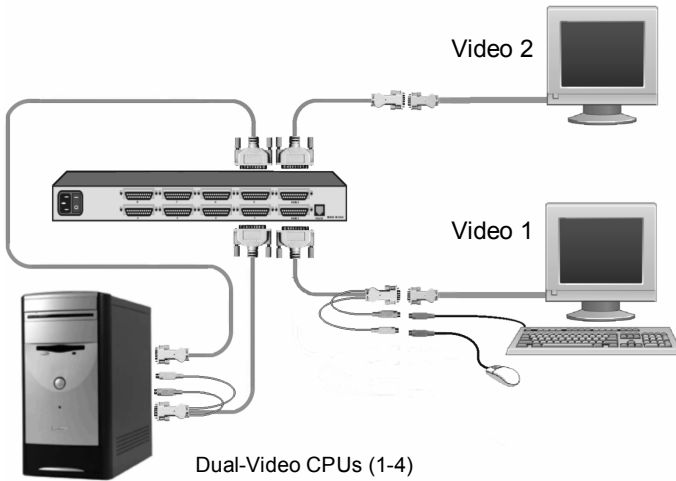


Figure 3. 4U2V Unit installation

Installation – Cascading units

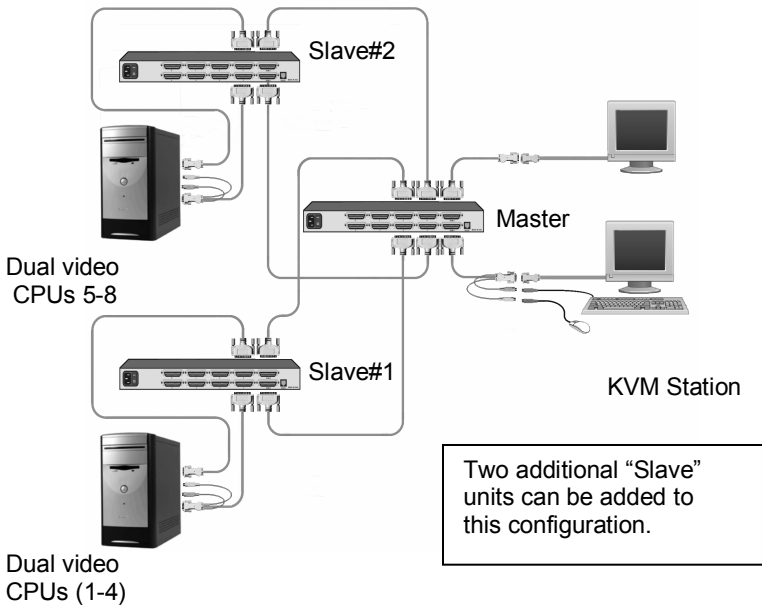
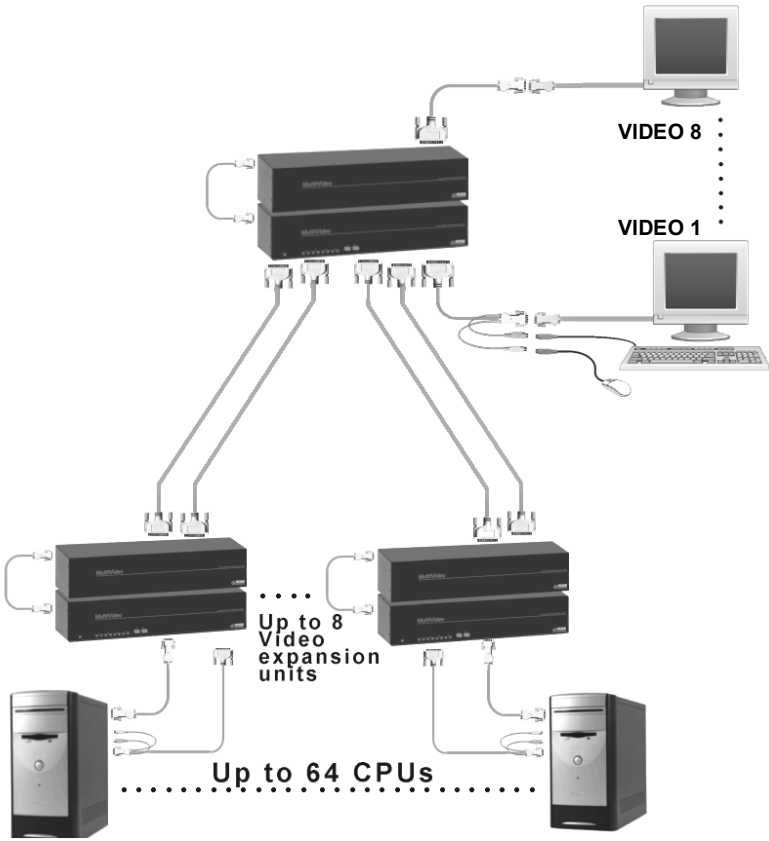


Figure 4. Cascading units



Installation – Video Expansion system

The MultiVideo can be custom configured to expand the number of video ports. The example below can have up to 16 separate video sources and up to 8 video outputs. The KVM station can switch the video by simple keyboard commands, the push-button switches on the front panel, or from the on-screen display. Refer to the UltraView Pro manual for detailed switching instructions.

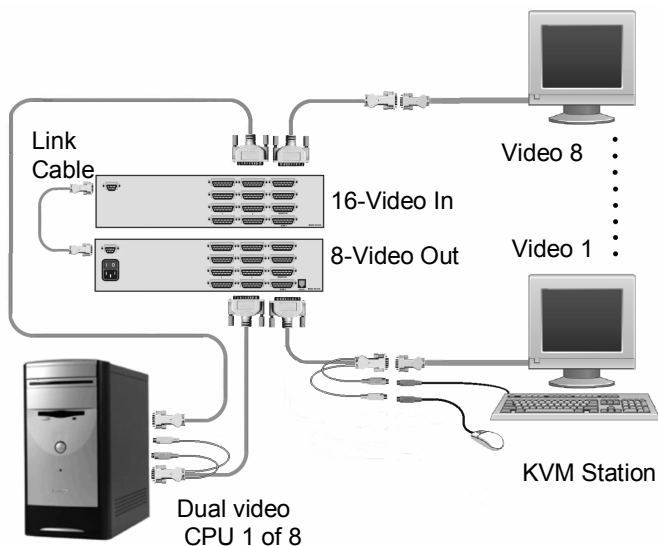
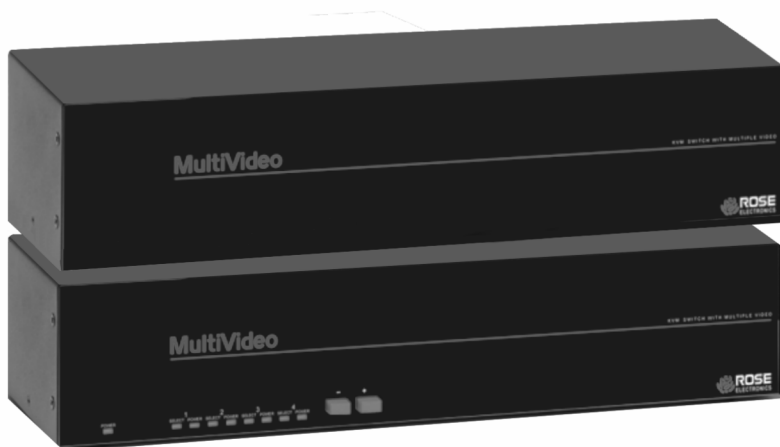


Figure 5. Custom 2x8 configuration

APPENDICES

Appendix A. Parts and cables

| Part number | Description |
|-------------------|---|
| CAB-D9MM005 | DB9M to DB9M Link cable |
| CAB-CXVSMMnnn | DB25M to DB25M Cascading cable |
| CAB-C1Y0000Cnnn | HD15M to DB25F Video only cable (CPU) |
| CAB-C1V0000Mnnn | HD15F to DB25F Video only cable (Monitor) |
| CAB-S13W3000Cnnn | CPU (SGI) 13W3 to DB25M video only cable |
| CAB-SC0000Cnnn | CPU (SUN) 13W3 to DB25M video only cable |
| CAB-SB0000Mnnn | SUN video 13W3 to DB25M video only cable |
| CAB-S13W30000Mnnn | SGI video 13W3 to DB25M video only cable |

Appendix B. General Specifications

The MultiVideo part number is Mwx-yUzV

Where w = platform, E = (Multi-platform) PC, SUN, Apple, Unix

P = (PC) PC and Unix computers

Where x = chassis size, M (mini), B (low), C (high)

Where y = number of CPUs (2, 4, or 8)

Where z = number of monitors (2 or 4)

The MultiVideo Video expansion model part numbers are:

MPC – 2U4V/MV (Master unit)

MPC – 2U4V/SL (Slave unit)

| | |
|------------|---|
| Connectors | Power – IEC 320 standard receptacle (MPC-2U4V/MV model only) CPU/KVM connector – DB25F Video ports – DB25F RS232 connector – RJ12, 6 conductor Interconnect – DB9 (Custom configuration) |
| Indicators | 1 Power LED 2-8 Select LEDs 2-8 Computer power LEDs |

Appendix C. Rack mount

Rack Mount Instructions

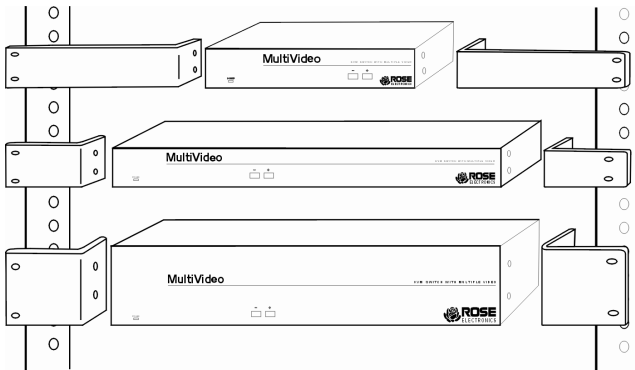
The optional rack mount kit includes the following items:

- Two black anodized mounting brackets.
- Four 6 x 32 x 3/8" flat head mounting screws.
- Mounting instructions insert.

To rack mount your MultiVideo, attach the two rack mounting brackets to your unit with the short flange against the unit using the four screws provided. Secure the mounting brackets to the rack using the appropriate size bolts, nuts and lock washers. Using hardware other than that provided could cause damage to the electronics and/or result in loss of mounting integrity. Do not over tighten the screws used to mount the unit to the mounting brackets.

The following general guidelines should be observed when installing your unit into a rack.

- a). The MultiVideo is designed to work in an ambient temperature of 0° C to 45° C (32° F – 113° F).
- b). Do not block power supply vents or otherwise restrict airflow when rack-mounting this unit.
- c). Mechanical loading of the rack should be considered to prevent instability and possible tipping over.
- d). Tighten all connectors securely and provide adequate strain relief for all cables.
- e). Provide a grounded power source to all units. Pay special attention to overall branch circuit load ratings before connecting equipment to this source. Overloaded circuits are potential fire hazards and can cause equipment failures or poor performance.





Server Management



Solutions

10707 Stancliff Road
Phone: (281) 933-7673

Houston, Texas 77099
Internet: WWW.ROSE.COM

Download from Www.Somanuals.com. All Manuals Search And Download.

Free Manuals Download Website

<http://myh66.com>

<http://usermanuals.us>

<http://www.somanuals.com>

<http://www.4manuals.cc>

<http://www.manual-lib.com>

<http://www.404manual.com>

<http://www.luxmanual.com>

<http://aubethermostatmanual.com>

Golf course search by state

<http://golfingnear.com>

Email search by domain

<http://emailbydomain.com>

Auto manuals search

<http://auto.somanuals.com>

TV manuals search

<http://tv.somanuals.com>