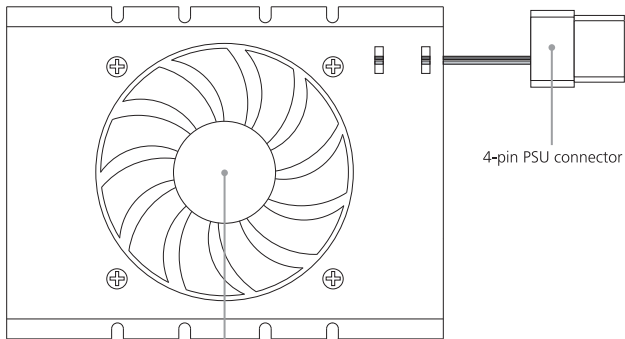




Hard Drive Cooler RFHD-80BK/BL
User Manual

- Turn off computer. Disconnect power at source. Do the same with related devices
- Remove computer case side panel. Remove hard drive from chassis
- Attach the Rosewill Hard Drive Cooler to hard drive with the four screws provided
- Screw down vertically and tighten. Re-install hard disk to chassis
- Connect power cable to a 4-pin PSU connector. Turn on computer



Features

- Black / Blue hard drive cooler with 80mm fan
- Extends the life of the hard drive
- Directly fits onto 3.5" hard drive
- Air Flow : 23.66CFM
- Noise Level : 21.47dBA

RFHD-80BK/BL

| | |
|--------------|---------------------------|
| Fan Size | 80x 10 mm fan |
| Bearing Type | Sleeve for over 30000/hrs |
| RPM | 1800 RPM |
| Air Flow | 23.66CFM |
| Noise Level | 21.47dBA |

Thank you for purchasing a High-Quality Rosewill Product.

Please register your product at : www.rosewill.com

for complete warranty information and future support for your product.

If you have any question while using our products, please visit our website : www.rosewill.com

for latest driver & user manual or feel free to contact us at feedback@rosewill.com

Support Email: techsupport@rosewill.com

Download from Www.Somanuals.com. All Manuals Search And Download.

Free Manuals Download Website

<http://myh66.com>

<http://usermanuals.us>

<http://www.somanuals.com>

<http://www.4manuals.cc>

<http://www.manual-lib.com>

<http://www.404manual.com>

<http://www.luxmanual.com>

<http://aubethermostatmanual.com>

Golf course search by state

<http://golfingnear.com>

Email search by domain

<http://emailbydomain.com>

Auto manuals search

<http://auto.somanuals.com>

TV manuals search

<http://tv.somanuals.com>