



RU-101/102

Rosewill Uninterruptible Power System (UPS) protects your computer hardware from physical damage and will provide emergency battery backup power to prevent data loss in the event of power problems.

The main features include

- ◆ Advanced equipment & data protection from blackouts, brownouts, sags, AC line noise and surges.
- ◆ Full analytical high performance micro-processor control with true RMS synchronous calculation.
- ◆ Intelligent battery management for battery status, battery power saving & battery replacement control.
- ◆ DC direct start-up capability, complete diagnostic indication and control.
- ◆ Built-in USB communication port for RU102.
- ◆ Phone jack for phone and fax lines for RU102.

Specification

Model	RU-101	RU-102
Capacity	600VA/300W	1000VA/500W
Input Voltage Range	120V +15%/- 20%	
Output Voltage Range	120V +/-12%	
Frequency	50 / 60 Hz auto sensing	
Outlets	6 Outlets (3 Battery Backup & Surge)	
Lighting / Surge Protection	480 Joules	
Transfer Time to Battery/AC	4 ms (typical)	
Battery Type	Sealed and leak proof maintenance free lead-acid battery	
Battery Specification	12V/5AHx1	12V/9AH x 1
Phone / Fax/ Network Protection	W/O	RJ11/RJ45
Short Circuit Protection	Circuit breaker	
Communication Port	W/O	USB
Operation Temperature	+32°F ~ 104°F (0°C ~ 40°C)	
Operation Relative Humidity	0 to 95% non-condensing	
Storage Temperature	+5°F ~ 113°F (-15°C ~ 45°C)	
Net Weight	7.8 lbs	9.12 lbs
Dimensions (WxDxH) inch	6.1x4.3x8.3	7.1x6x9.5

Operation & Installation

Rosewill UPS can protect your equipment from all power problems such as surge, spikes, blackouts, brownouts and line noise. When AC power is present and the ON/OFF switch is turned on, Rosewill UPS continues to charge the battery and provide the power to the equipment directly from the AC line. The battery can provide stable power to complete your work, save your data and safely shut down your system when the utility power has failed.

Rosewill UPS is simple to operate and install. Following are the installation steps to connect he equipment to the UPS.

1. Connect Rosewill UPS to grounded AC power Outlets.
2. Charge the battery at least 8 hours for a full charge before use.
3. Plug your computer and monitor into the "Battery Backup & Surge Protection" outlets. (These outlets will provide emergency battery backup power during power problems as well as surge protection from surge and spike.)

CAUTION: Do NOT plug **LASER PRINTERS** into any of the "Battery Backup" outlets.
CAUTION: Do NOT plug **ACCESSORY SURGE STRIP** into any of the "Battery Back & Surge Protection" outlets.

4. Plug your peripheral equipment (printer, scanner, fax, speaker, etc.) into the "Surge Protection" outlets. (These outlets will **NOT** provide battery backup power during a utility power failure).
5. Switch on the Rosewill offline UPS product while the connected equipment is off,.
6. Turn on your connected equipment when the "AC mode" LED light is illuminated.

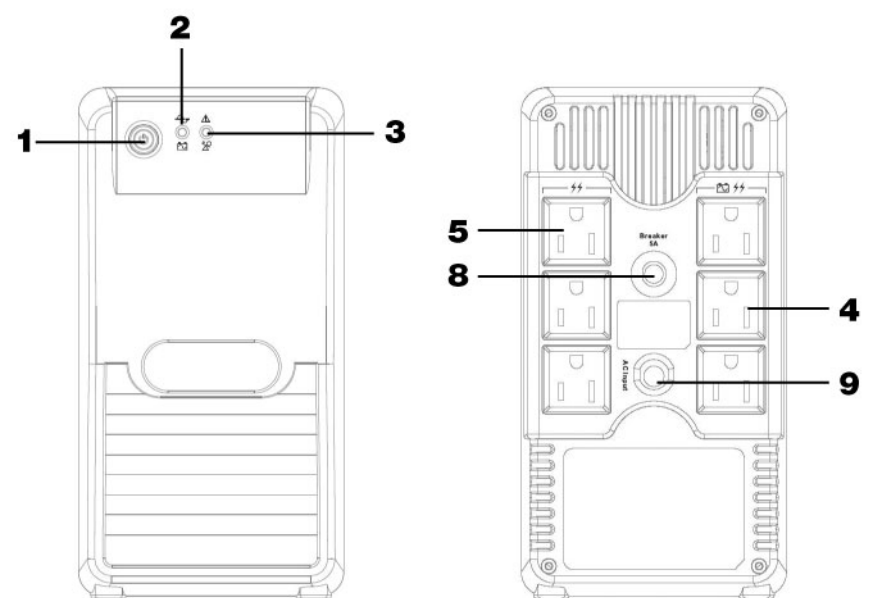
Troubleshooting

Symptom	Possible Cause	Action to Take
The UPS will not turn on.	UPS is not turn on	Switch on the On/Off switch. If the power is not present, please make sure your circuit breaker on the building is not accidentally turned off.
	Circuit Breaker has tripped.	Reduce the amount of equipment plugged into the "Battery Backup & Surge Protection" outlets of the UPS. Next, rest the circuit breaker by pushing it back in.

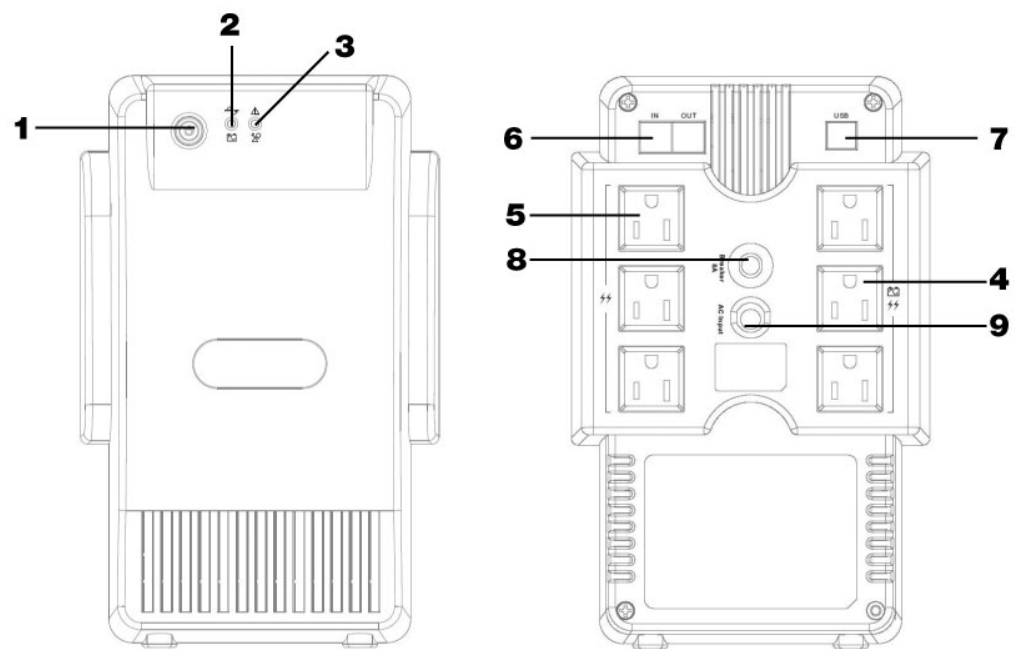
The UPS is making a continuous sound and the "Overload" indicator is light.	The "Battery Backup & Surge Protection" outlets are overload.	Turn of the UPS and reduce the amount of equipment connected to these outlets.
The UPS does not provide expected runtime.	Due to age the battery does not hold a full charge	Removed all connected equipments from the UPS and charge the battery at least 8 hours.
		Return for service or you can replace the battery by ordering one new battery
Connected equipments lose power while connected to the Power the UPS.	The "Battery Backup & Surge Protection" outlets are overload.	Refer to the Indicator Table " UPS is making a continuous sound and the Overload indicator is light"
	The UPS has exhausted its available run time.	The UPS will turn off when the battery has been depleted during the failure of utility power. Allow UPS to re-charge before continuing using of the UPS.
	Connected equipment is connected to the wrong outlet.	Ensure the equipment that you want to stay powered during a failure of utility power is plugged into the "Battery Backup & Surge Protection" outlets.
	The UPS may be faulty.	Please Call your agency for further troubleshooting.

Indicators

600VA/300W



1000VA/500W



1. On/Off Switch

This On/Off switch controls power to your equipment and performs a self-test to detect inverter, line, battery status & LEDs.

NOTE: Turn on the UPS.

Press and hold the switch for more than two seconds and release the switch after the beep. The UPS will start and provide the stable power to your equipments.

NOTE: Turn off the UPS.

Press and hold the switch for more than two seconds and release the switch. The UPS will shut down completely.

NOTE: Perform Self-test.

The UPS will perform self-test for about 10 seconds when the UPS is turned on.

2. Line / Battery LED (Green LED)

Indicates the UPS is providing AC power to your equipment. When the LED is blinking the UPS is providing power from the battery.

3. Warning LED (Red)

When in AC or DC mode the blinking LED could indicate that the battery should be replaced. When the LED is always on it indicates an overload condition or UPS fault. For details please see Indicator Table.

4. Surge Protection Outlets (Bypass outlets)

These outlets provide full time protection from surge and spike (for RU102 only).

5. Battery Backup & Surge Protection Outlets

These outlets not only provide full time surge protection but also provide emergency battery backup power.

6. Phone/Fax Protection

Built-in RJ11 jacks protect the phone or fax line from surges (for RU102 only).

NOTE: The UPS will operate normally without this connection.

7. USB Communication Port

The built-in USB port connects to your computer. The software will shut down your computer automatically in case of power failure. It prevents the possibility of damaging your files with an abrupt power outage. The software can also provide the information regarding the status of your utility power line (for RU102 only).



Install the software to the computer(RU-102 only) :

Put the CD into your CD/DVD-ROM and auto play will run. Select "PowerGuard" to install.

If auto play is not enabled on the computer, please follow instructions below:

- Double-click on My Computer on the desktop.
- Double-click on the CD-Rom drive icon and follow the on-screen instructions.

8. Circuit Breaker

The button will protrude when the overload condition occurs. The UPS will switch off of utility power. If the button protrudes, disconnect some non-essential equipment and reset the circuit breaker by pushing the button inward.

9. AC Inlet

Please plug the AC power cord into this connector.

Indicator Table

1. Status Indicators

The UPS will provide the operator with both visual and audible status indicators. Visual indicators consist of two LED's. One LED indicates that the UPS is in AC model or DC model. The other one indicates that the UPS is in fault or over load conditions.

2. LED Display & Audio Alarm

Green LED	Red LED	Alarm	UPS Status Indication
On	X	X	AC Mode(Operation)
On	On	4 beeps @ 0.25 sec/ per 10 sec	Self test Mode
Blinking	On	On	Over Load 110% (DC Mode)
X	On	On	Over Load 120% (DC Mode)
X	On	On	Short (DC Mode)
Blinking	X	4 beeps @ 0.25 sec/ per 10 sec	DC Mode (Operation)
Blinking	On	1 beep @ 1 sec	Low Battery Voltage
On	Blinking	On	Charge Mode abnormal

SAFETY INSTRUCTIONS

1. Place the Rosewill UPS indoors in an area that has adequate airflow and is free from excessive dust. Do NOT allow the UPS to be exposed to moisture, rain, excessive heat or direct sunlight.
2. Use of the Rosewill UPS product in life support applications where failure of this equipment can reasonably be expected to cause failure of life support equipment or to significantly affect its safety or effectiveness is NOT recommended.
3. Always disconnect the input power cord from the wall outlet before replacing the battery.
4. Do NOT dispose of the battery in a fire: the battery may explode.

5. Do NOT open or mutilate the battery. Batteries contain an electrolyte that is toxic and harmful to both the skin and eyes.
6. Proper disposal of the battery is required. Please refer to your local laws/regulations regarding battery disposal.
7. Use tools with insulated handles to replace the battery to avoid personal injury. Due to energy hazards, please remove wrist watches and jewelry such as rings when replacing battery.

Limited Warranty

We warrant this product to be free from defects in material and workmanship for one year from the date of original purchase, subject to the terms of this Limited Warranty.

To be covered, you must still be the owner of the product at the time of the failure that results in the claim made under this Limited Warranty.

This Limited Warranty does not cover:

1. Any product on which the serial number has been defaced, modified, or removed.
2. Damage, deterioration, or malfunction resulting from:
 - a. Accident, misuse, neglect, fire, water, or other acts of nature, unauthorized product modification, or failure to follow instructions supplied with the product.
 - b. Repair or attempted repair by anyone not authorized.
 - c. The fault is the result of accidental damage or damage in transit or transportation, including but not limited to liquid spillage.
 - d. Removal or installation of the product.
 - e. Causes external to the product.
 - f. Use of supplies or parts not meeting our specifications.
 - g. Normal wear and tear.
 - h. Any other cause which does not relate to a product defect.
3. Removal, installation, and set-up service charges.

Limitation of Implied Warranties:

THERE ARE NO WARRANTIES, EXPRESS OR IMPLIED, WITH RESPECT TO THE UPS PRODUCT CONTAINED HEREIN INCLUDING THE IMPLIED WARRANTY OF MERCHANTABILITY AND FITNESS FOR A PARTICULAR PURPOSE.

Exclusion of Damages:

OUR LIABILITY IS LIMITED TO THE COST OF REPAIR OR REPLACEMENT OF THE PRODUCT. WE SHALL NOT BE LIABLE FOR:

1. DAMAGE TO OTHER PROPERTY CAUSED BY ANY DEFECTS IN THE PRODUCT, DAMAGES BASED UPON INCONVENIENCE, LOSS OF USE OF THE PRODUCT, LOSS OF TIME, LOSS OF PROFITS, LOSS OF BUSINESS OPPORTUNITY, LOSS OF GOODWILL, LOSS OF DATA, LOSS OF SOFTWARE, COSTS OF SUBSTITUTE EQUIPMENT, INTERFERENCE WITH BUSINESS RELATIONSHIPS, CLAIMS BY THIRD PARTIES, OR OTHER LOSS, EVEN IF ADVISED OF THE POSSIBILITY OF SUCH DAMAGES.
2. ANY OTHER DAMAGES, WITHER INCIDENTAL, CONSEQUENTIAL, OR OTHERWISE.
3. ANY CLAIM AGAINST THE CUSTOMER BY ANY OTHER PARTY.

Thank you for purchasing a quality Rosewill Product. Please register your product at: www.rosewill.com for complete warranty information and future support for your product. Technical Support : techsupport@rosewill.com Call Center : (800) 575-9885

Free Manuals Download Website

<http://myh66.com>

<http://usermanuals.us>

<http://www.somanuals.com>

<http://www.4manuals.cc>

<http://www.manual-lib.com>

<http://www.404manual.com>

<http://www.luxmanual.com>

<http://aubethermostatmanual.com>

Golf course search by state

<http://golfingnear.com>

Email search by domain

<http://emailbydomain.com>

Auto manuals search

<http://auto.somanuals.com>

TV manuals search

<http://tv.somanuals.com>