



Dual Arm Monitor Stand for LCD/LED Displays

RHMS-11002

User Manual

CAUTION:

IMPORTANT SAFETY INSTRUCTIONS – SAVE THESE INSTRUCTIONS – PLEASE READ ENTIRE MANUAL BEFORE USING THIS PRODUCT

Specifications

- ◆ Weight capacity-**DO NOT EXCEED**: 9*2=18 kg (40 lbs) includes monitor and all accessories.
- ◆ Minimum surface thickness: 0.6 ". (15mm)
- ◆ Maximum surface thickness: 3.3 ". (84mm)
- ◆ Raise/Lower: 11.8 " (300mm)
- ◆ Extension: 11.8" (300mm)
- ◆ Level: $\pm 180^\circ$
- ◆ Swivel: $\pm 5^\circ$
- ◆ Tilt: $\pm 15^\circ$

 **CAUTION:** Avoid potential personal injuries and property damage!

Do not use this product for any purpose not explicitly specified by manufacturer.

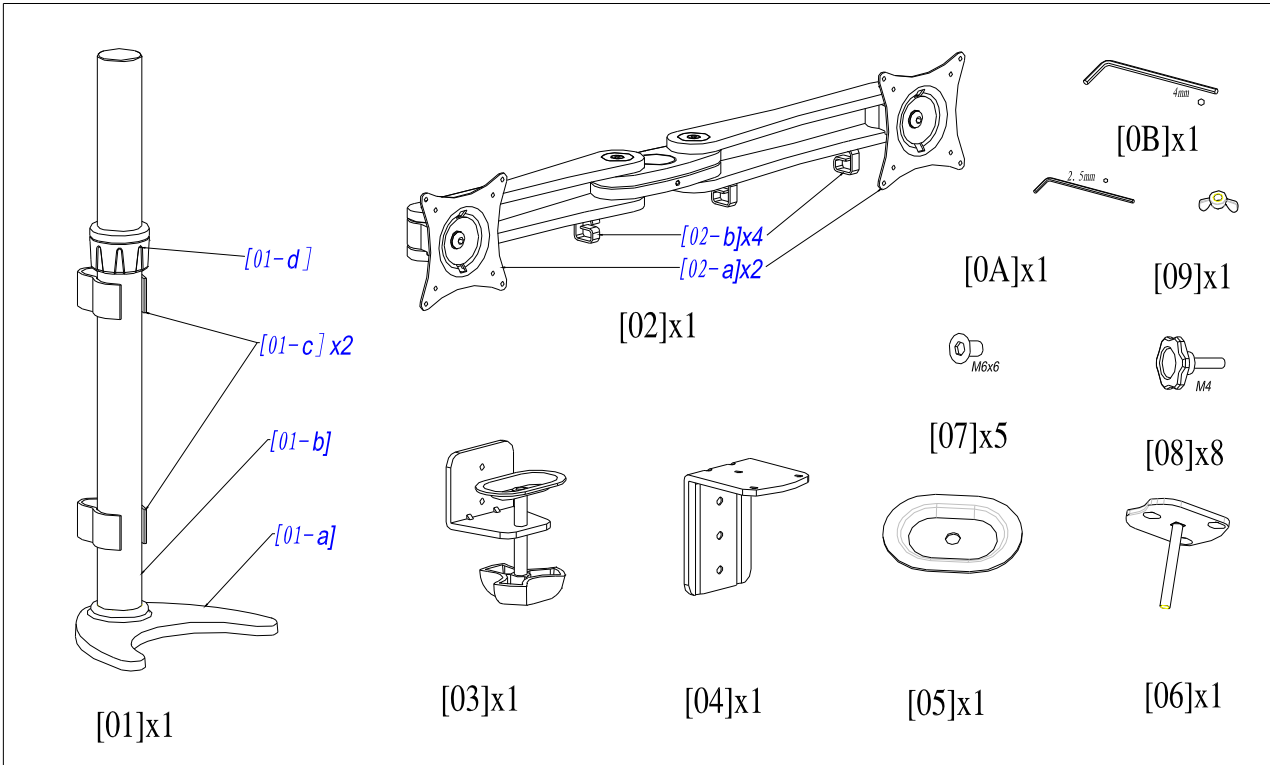
If you do not understand these instructions, or have doubts about installation, disassembly or use of this product, contact manufacturer customer Service.

Manufacturer is not responsible for any damage or injury caused by incorrect assembly or useage

Supplied Parts and Hardware Kit

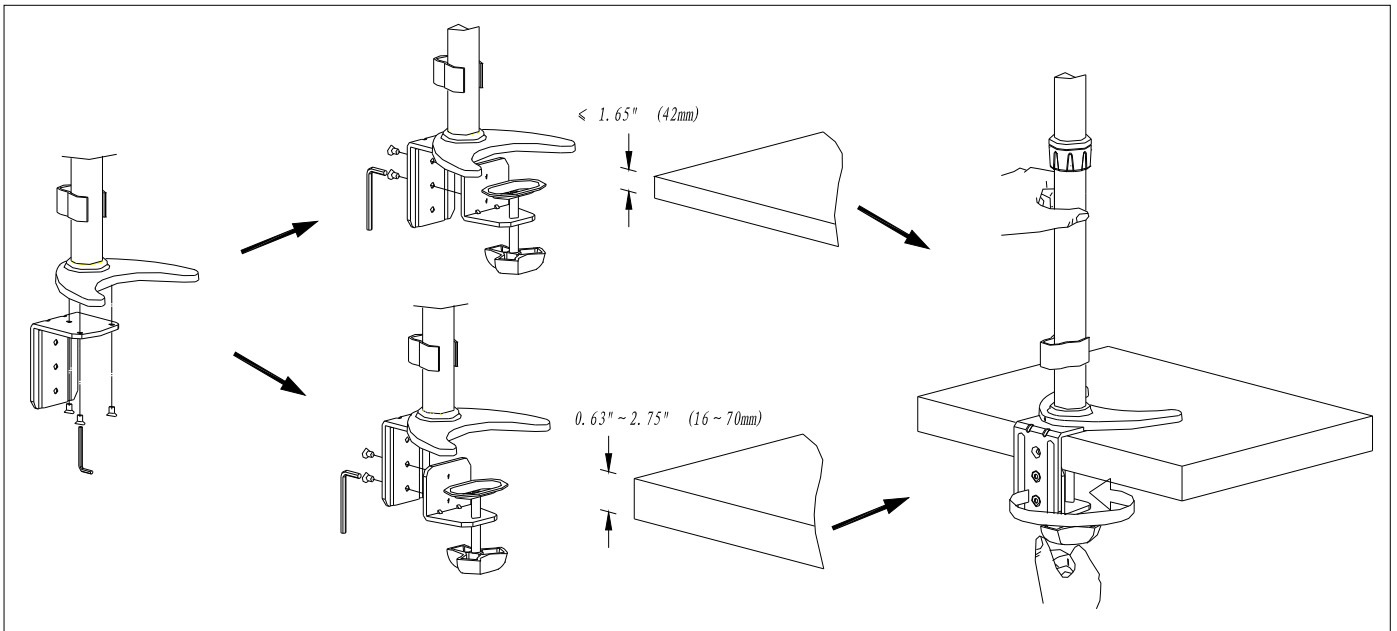
Before starting assembly, verify all parts are included and undamaged. If any parts are missing or damaged, do not return the item to your dealer but please contact Sunnyford Systems Customer Service. Never use damaged parts!

NOTE: Not all hardware included will be used.



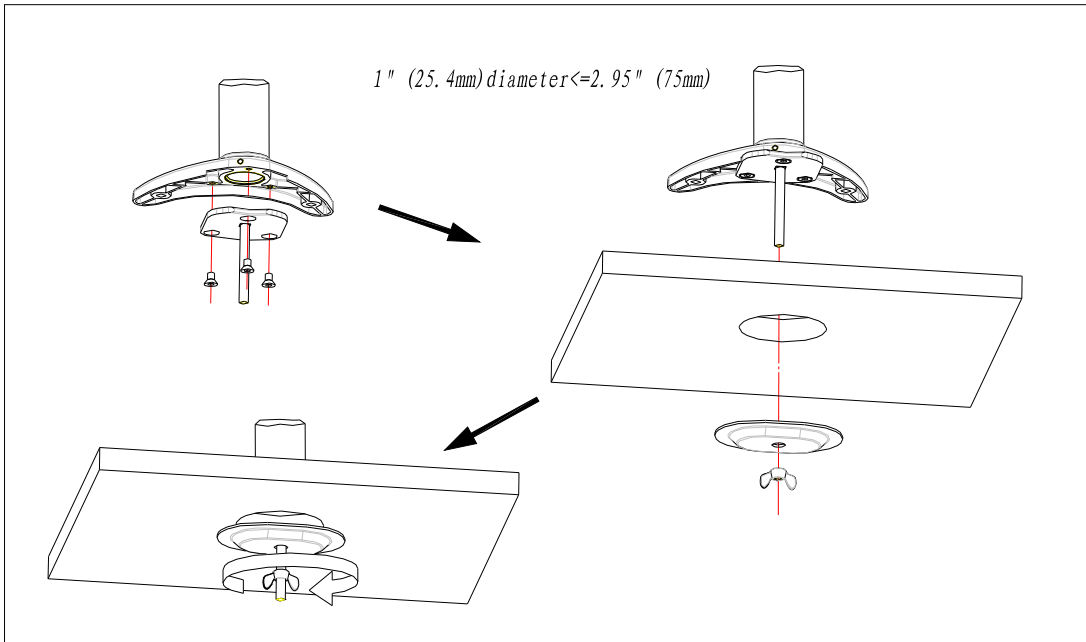
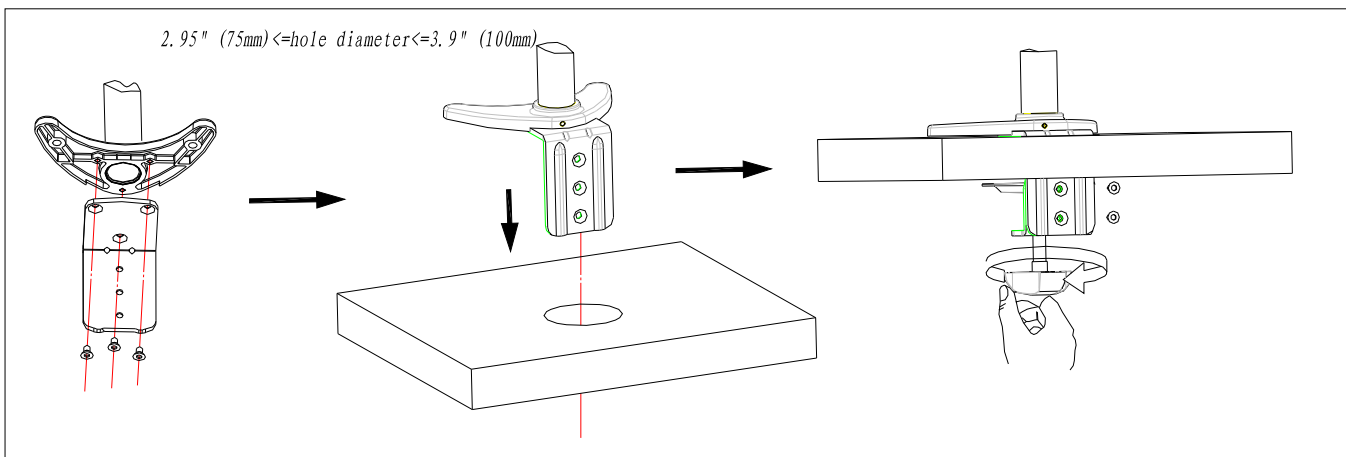
Step 1 – Attach base assembly to desk

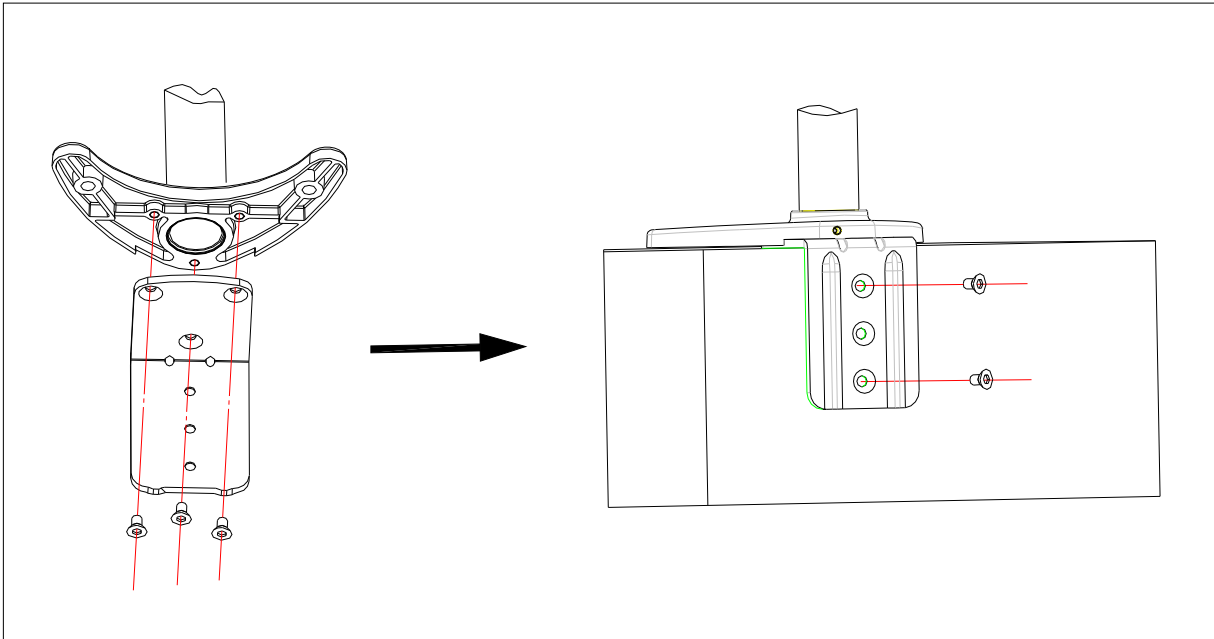
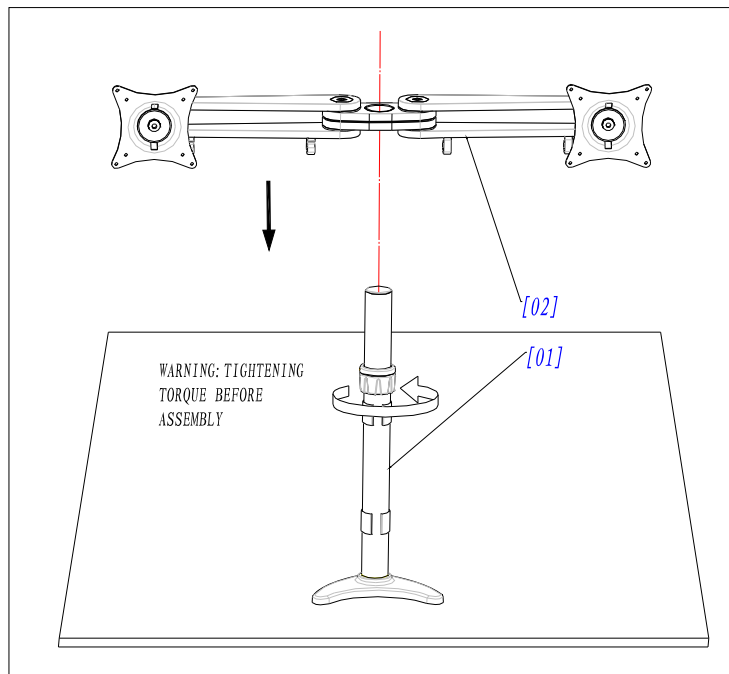
A : Desk Clamp 0.6" (16mm) < board depth < 2.75" (70mm)



B : Through-Desk 1" (25.4mm)diameter<=2.95" (75mm)

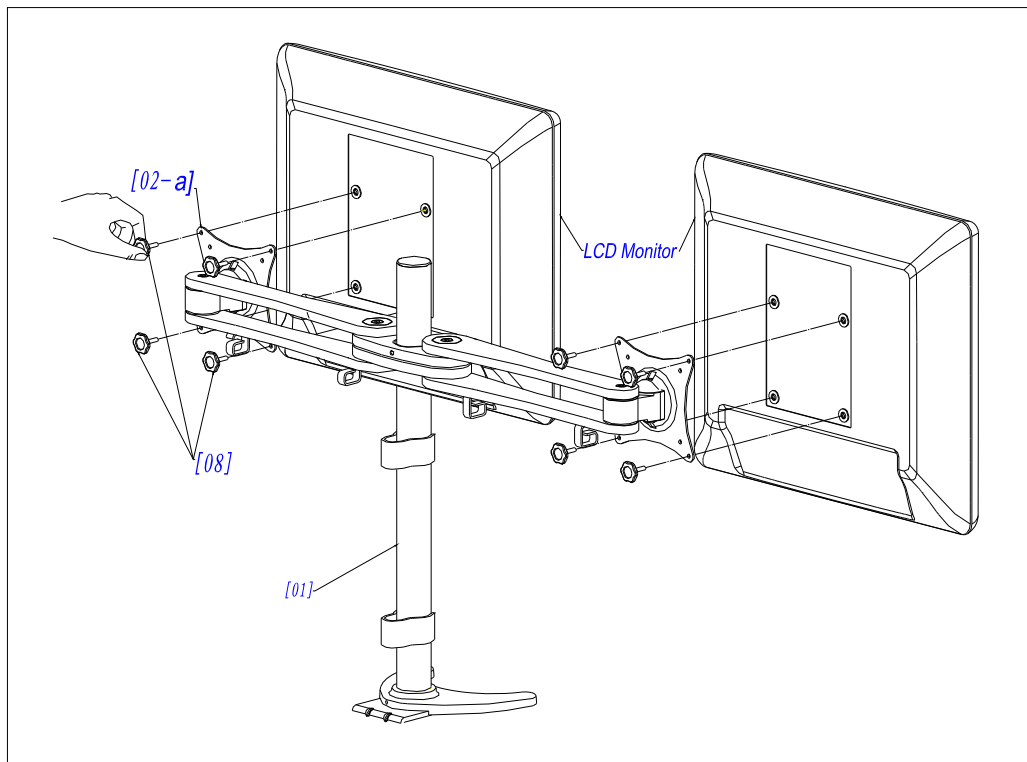
You need disassemble the base [02] assembly at first ,then assembling again according to the following pic

**C: Grommet Hole 2.95" (75mm)<=hole diameter<=3.9" (100mm)**

D: Side Mount board depth >2.95" (75mm) and no mount hole**Step 2 –Insert the mount arm[02] to base[01]****WARNING:TIGHTENING TORQUE[01-d] BEFORE INSERT THE MOUNT**

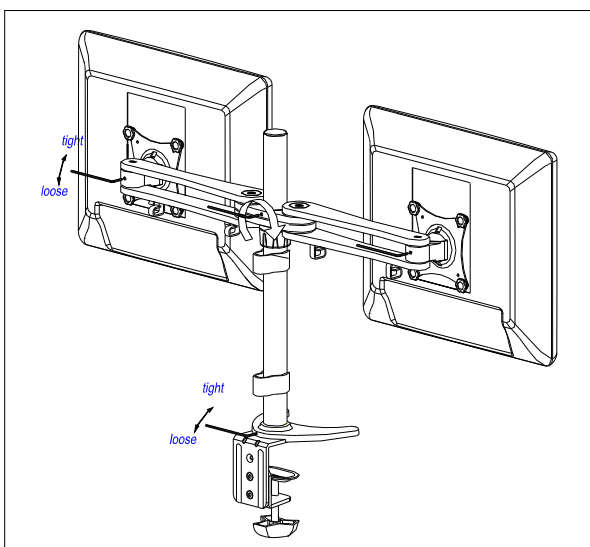
Step 3 –Lcd monitor assembling

Insert the hand screw [08],through the mount board[01-a] , into the threaded hole in the back of the monitor and lock it.



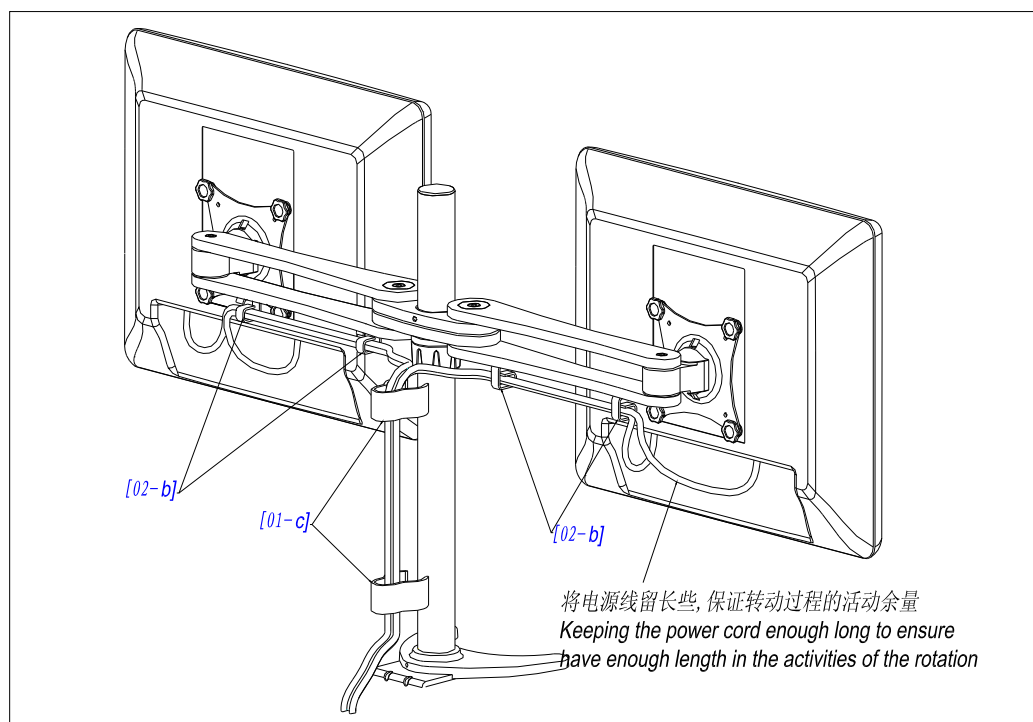
Step 4 –Adjusted the rotating friction

As following chart ,adjusting the tightness of head,middle and base location, insert the attached wrench [0A]into the lock screw to keep proper friction during rotation .



Step5 –Cables placement

Route the cables through the clip [02-b] under the arm and [01-c] on the pole



Thank you for purchasing a quality Rosewill Product.

Please register your product at : www.rosewill.com for complete warranty information and future support for your product.

Free Manuals Download Website

<http://myh66.com>

<http://usermanuals.us>

<http://www.somanuals.com>

<http://www.4manuals.cc>

<http://www.manual-lib.com>

<http://www.404manual.com>

<http://www.luxmanual.com>

<http://aubethermostatmanual.com>

Golf course search by state

<http://golfingnear.com>

Email search by domain

<http://emailbydomain.com>

Auto manuals search

<http://auto.somanuals.com>

TV manuals search

<http://tv.somanuals.com>