

Rosewill[®]

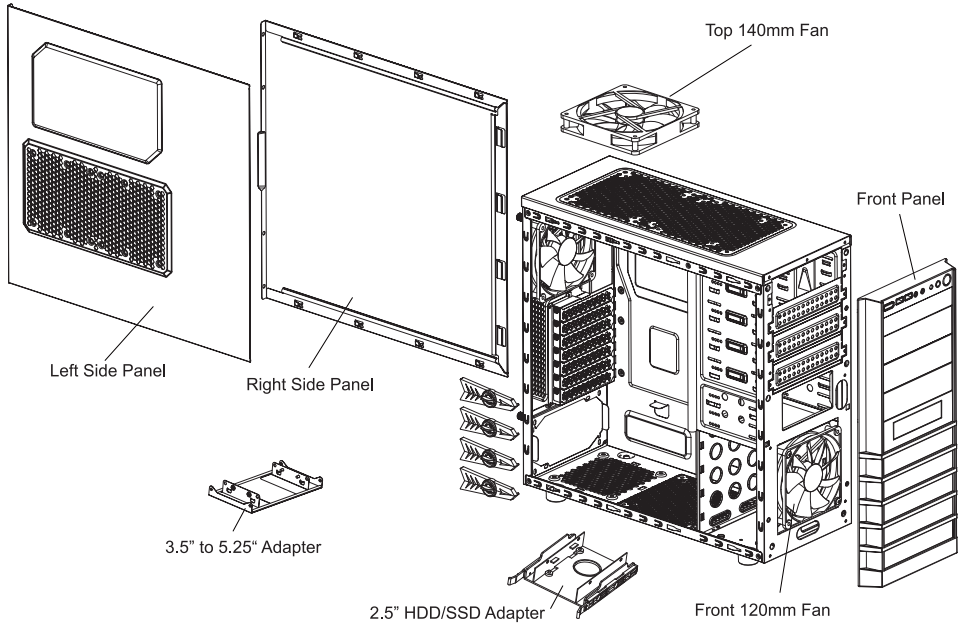
RANGER

User's Manual

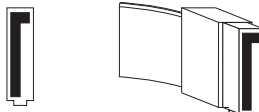
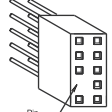
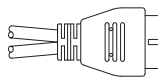
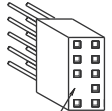
Contents

- **Product Overview** ----- P.2
 - Disassemble Chart ----- P.2
 - Accessory Box ----- P.3
- **Installation Guide**
 - Opening Chassis----- P.4
 - Installing Power Supply ----- P.4
 - Installing Motherboard----- P.5
 - Installing Add On Card----- P.6
 - Installing External 5.25" Device ----- P.7
 - Installing External 3.5" Device ----- P.8
 - Installing 3.5"/2.5" HDD/SSD ----- P.8
- **Information** ----- P.9

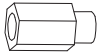
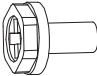
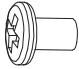
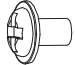

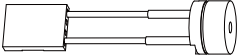

Disassemble Chart



Front I/O Pin Define

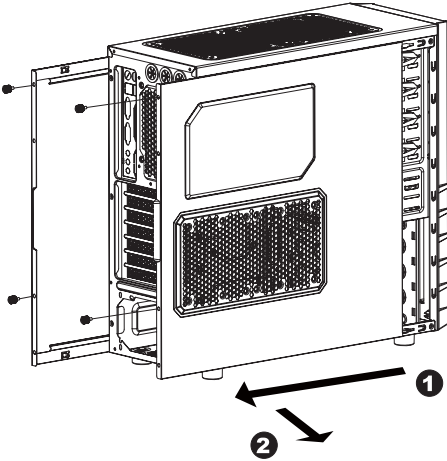
<p>e-SATA CONNECTOR</p> 	<p>AC97 CONNECTOR</p>  <table border="0"> <tr> <td>MIC</td><td>1</td><td>2</td><td>MIC</td></tr> <tr> <td>AUD GND</td><td>3</td><td>4</td><td>MIC-BIAS</td></tr> <tr> <td>RET-R</td><td>5</td><td>6</td><td>FPOUT-R</td></tr> <tr> <td>NO PIN</td><td>7</td><td>8</td><td>+5V</td></tr> <tr> <td>RET-L</td><td>9</td><td>10</td><td>FPOUT-L</td></tr> </table>	MIC	1	2	MIC	AUD GND	3	4	MIC-BIAS	RET-R	5	6	FPOUT-R	NO PIN	7	8	+5V	RET-L	9	10	FPOUT-L																																								
MIC	1	2	MIC																																																										
AUD GND	3	4	MIC-BIAS																																																										
RET-R	5	6	FPOUT-R																																																										
NO PIN	7	8	+5V																																																										
RET-L	9	10	FPOUT-L																																																										
<p>USB 3.0 CONNECTOR</p>  <table border="0"> <tr> <td>VBUS</td><td>1</td><td>2</td><td>None</td></tr> <tr> <td>SSRX1+</td><td>3</td><td>4</td><td>VBUS</td></tr> <tr> <td>SSRX1-</td><td>5</td><td>6</td><td>SSRX2-</td></tr> <tr> <td>ground</td><td>7</td><td>8</td><td>SSRX2+</td></tr> <tr> <td>SSTX1+</td><td>9</td><td>10</td><td>ground</td></tr> <tr> <td>SSTX1-</td><td>11</td><td>12</td><td>SSTX2-</td></tr> <tr> <td>ground</td><td>13</td><td>14</td><td>SSTX2+</td></tr> <tr> <td>D1+</td><td>15</td><td>16</td><td>ground</td></tr> <tr> <td>D1-</td><td>17</td><td>18</td><td>D2-</td></tr> <tr> <td>None</td><td>19</td><td>20</td><td>D2+</td></tr> </table>	VBUS	1	2	None	SSRX1+	3	4	VBUS	SSRX1-	5	6	SSRX2-	ground	7	8	SSRX2+	SSTX1+	9	10	ground	SSTX1-	11	12	SSTX2-	ground	13	14	SSTX2+	D1+	15	16	ground	D1-	17	18	D2-	None	19	20	D2+	<p>HD CONNECTOR</p>  <table border="0"> <tr> <td>AUD GND</td><td>1</td><td>2</td><td>PORT1L</td></tr> <tr> <td>PRESENCE#</td><td>3</td><td>4</td><td>PORT1R</td></tr> <tr> <td>SENSE1_RETURN</td><td>5</td><td>6</td><td>PORT2R</td></tr> <tr> <td>NO PIN</td><td>7</td><td>8</td><td>SENSE_SEND</td></tr> <tr> <td>SENSE2_RETURN</td><td>9</td><td>10</td><td>PORT2L</td></tr> </table>	AUD GND	1	2	PORT1L	PRESENCE#	3	4	PORT1R	SENSE1_RETURN	5	6	PORT2R	NO PIN	7	8	SENSE_SEND	SENSE2_RETURN	9	10	PORT2L
VBUS	1	2	None																																																										
SSRX1+	3	4	VBUS																																																										
SSRX1-	5	6	SSRX2-																																																										
ground	7	8	SSRX2+																																																										
SSTX1+	9	10	ground																																																										
SSTX1-	11	12	SSTX2-																																																										
ground	13	14	SSTX2+																																																										
D1+	15	16	ground																																																										
D1-	17	18	D2-																																																										
None	19	20	D2+																																																										
AUD GND	1	2	PORT1L																																																										
PRESENCE#	3	4	PORT1R																																																										
SENSE1_RETURN	5	6	PORT2R																																																										
NO PIN	7	8	SENSE_SEND																																																										
SENSE2_RETURN	9	10	PORT2L																																																										

Accessory Box

	9 x M/B standoff	Motherboard
	4 x Screw A	Power Supply
	10 x Screw B	Motherboard
	12 x Screw C	2.5" HDD/SSD Floppy
	4 x HDD rail (set)	HDD
	1 x PC SPEAKER	Motherboard
	10 x Cable tie	Cables

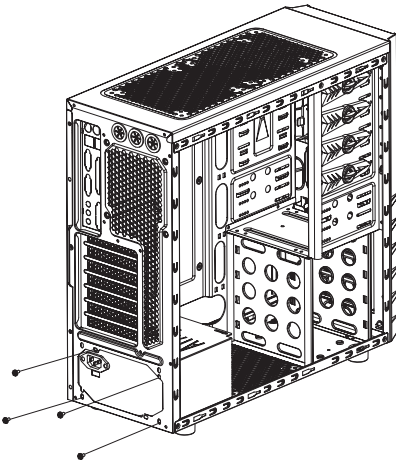
Installation Guide

1.



Unscrew to remove left and right panel.

2.



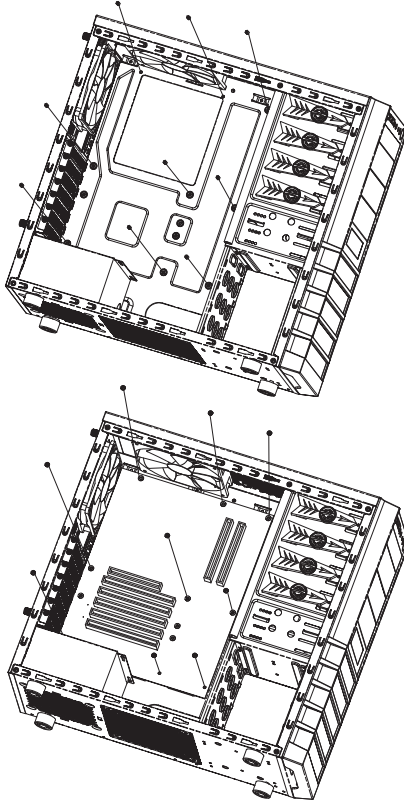
Place the power supply from the left side into the chassis and secure with screws.

NOTICE : If your power supply is equipped with single fan (120mm, 135mm or 140mm), you have two options to install it.

1. The fan faces UP – Don't let anything drop into the power supply.
2. The fan faces DOWN – You have to put this computer case on a HARD surface (ex. desk) to make sure enough room for power supply cool air intake.

Installation Guide

3.

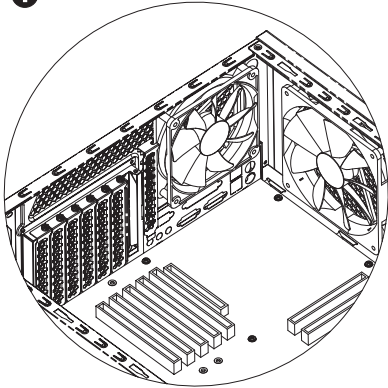


- Install motherboard stand-offs according to your motherboard's screw holes.
- Place the motherboard onto stand-offs and secure with screws.

Installation Guide

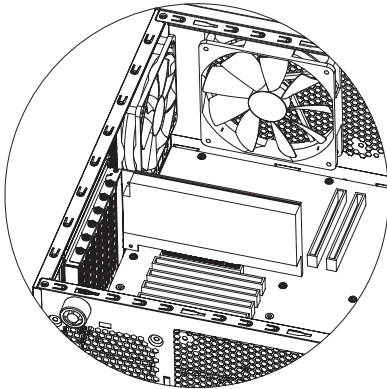
4.

1



- Confirm which slot you want to install an add-on card then unscrew to remove the mesh cover.
- Install the add-on card and secure with screws.

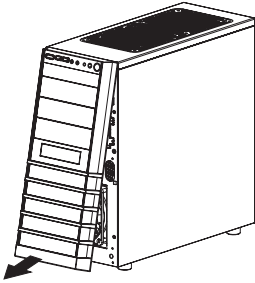
2



Installation Guide

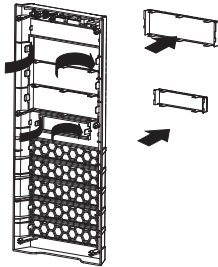
5.

①

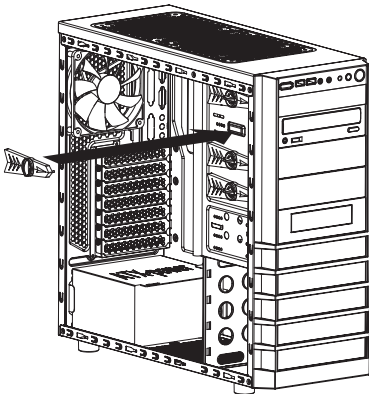


- Pull to remove the front panel.
- Confirm which bay you want to install device(S) then remove the bay cover.
- Reinstall the front panel.

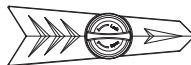
②



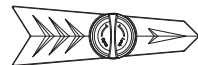
6.



- Insert the 5.25" device from the front panel into the chassis then secure with screw-less kits.



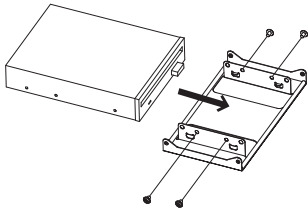
Lock



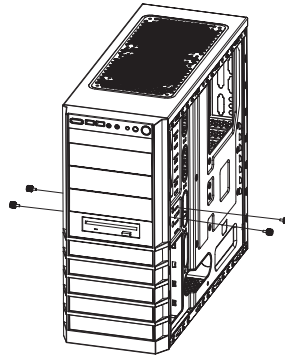
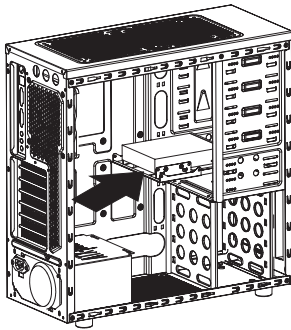
Unlock

Installation Guide

7.

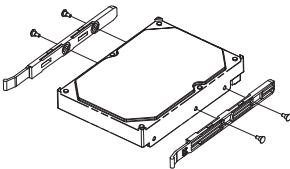


-Put the external 3.5" device onto the 5.25" to 3.5" adapter and secure with screws.
 -Insert it into its position from inside and secure with screws.



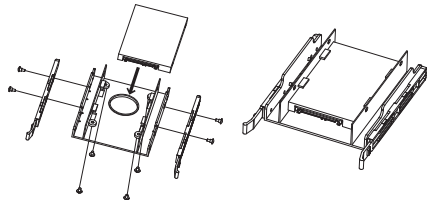
8.

1



3.5" HDD/SSD

2



2.5" HDD/SSD

-Follow above step according to your HDD/SSD's type.
 -Insert it into its slot and push to the bottom to secure.

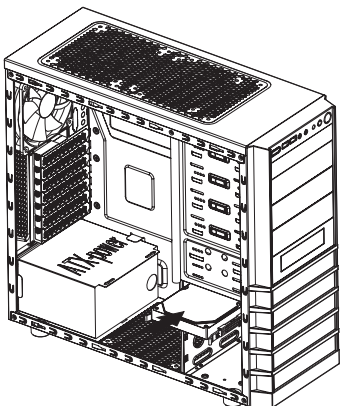
NOTE :

Change HDD's direction by changing nails' position.



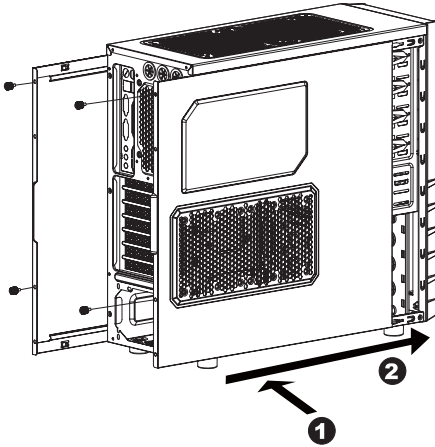
L : HDD's connectors face to left side panel

R : HDD's connectors face to right side panel



Installation Guide

9.



Make sure all necessary cables and wires are connected, then reinstall side panels and secure with screws.

Thank you for purchasing a High-Quality Rosewill Product.

Please register your product at : <http://www.rosewill.com>
for complete warranty information and future support for your product.

If you have any question while using our products, please visit our website : www.rosewill.com
for latest driver & user manual or feel free to contact us.

Support Phone Number: 800-575-9885

Support Email: techsupport@rosewill.com

Rosewill[®]

www.rosewill.com

Free Manuals Download Website

<http://myh66.com>

<http://usermanuals.us>

<http://www.somanuals.com>

<http://www.4manuals.cc>

<http://www.manual-lib.com>

<http://www.404manual.com>

<http://www.luxmanual.com>

<http://aubethermostatmanual.com>

Golf course search by state

<http://golfingnear.com>

Email search by domain

<http://emailbydomain.com>

Auto manuals search

<http://auto.somanuals.com>

TV manuals search

<http://tv.somanuals.com>