

Rosewill

**PIR Solar Spotlight/
PIR Solaire Lumière**

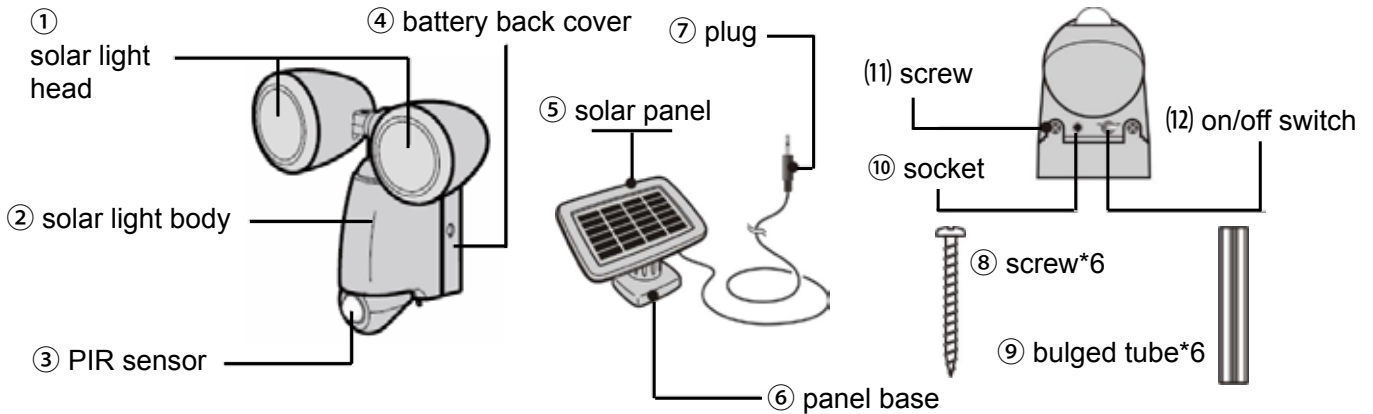
RSL-113

User Manual

CONTENTS

3	1. PIR Solar Spotlight parts
3	2. Battery Charge
3	3. PIR Solar Spotlight Body Installation
4	4. Solar Panel Installation
5	5. Complete The Installation
5	6. PIR Sensor Sense Range
6	7. Replace the parts
6	8. Problem Solving
6	9. Safety Guide
6	10. Technical Data

1 PIR Solar Spotlight parts



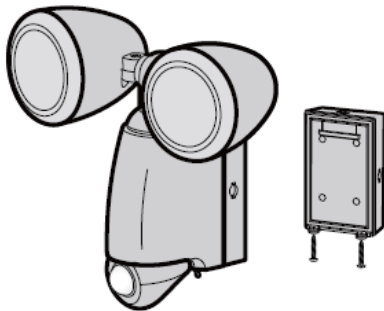
2 Battery Charge

In normal condition, the batteries inside the PIR Solar Spotlight are fully charged. You can use the light directly. If not, please fully charge the batteries before using: turn the switch “on” for sunny daytime and turn it “off” when darkness comes. Repeating for 2 days (about 16 hours), the batteries would be fully charged.

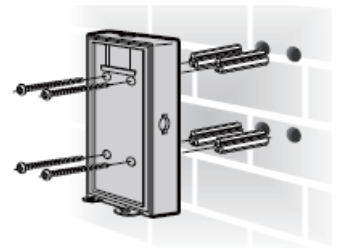
3 PIR Solar Spotlight Body Installation

Install On the Wall

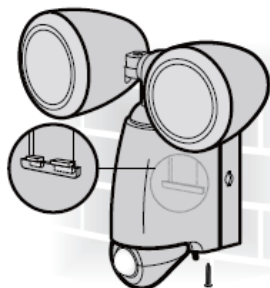
1. loose the screws and remove the battery back cover from the light



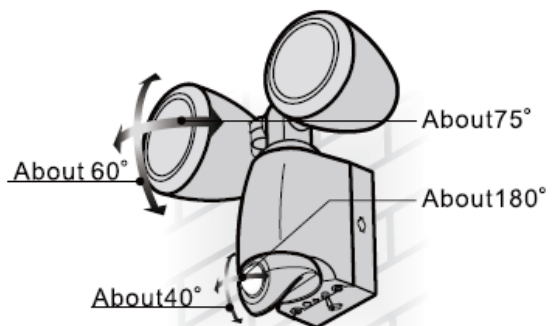
2. drill 4 holes on the wall based on the four tubes in the battery back cover, insert the bulged tubes in the holes, and fix the battery back cover with screws.



3. slip the PIR Solar Spotlight body up to down until the hasp inside is connected, fix the body with screws.

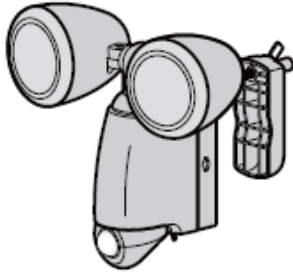


4. adjust the angle of light head & PIR sensor

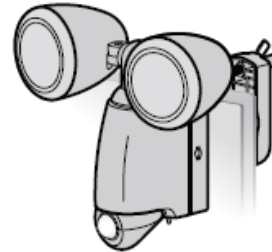


Install On the Pillar or Fence

1. Insert the L-clip into the hole on the PIR Solar Spotlight body.



2. Twist the butterfly nut to a proper position to fix the light on the pillar or fence.



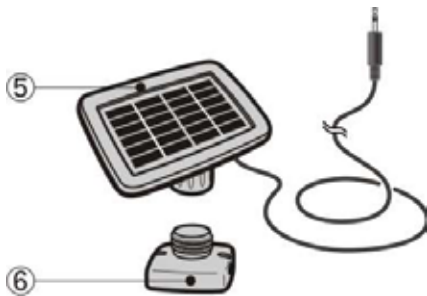
Remarks for Installation

- * The thickness of the fence or pillar is better to be more than 3.5cm
- * Do not install the light where people can be easily to be hurt in case of drop.
- * Install the light in horizontal level.

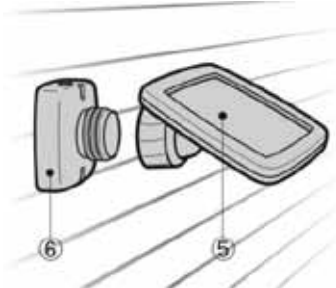
4 Solar Panel Installation

Install On the Pillar or Fence

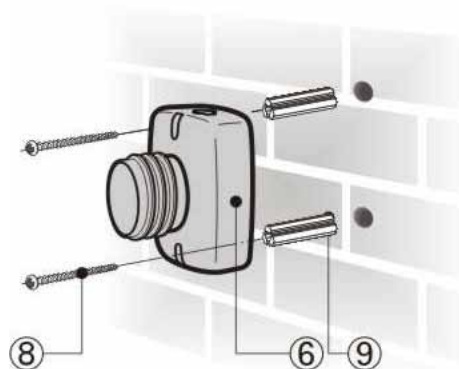
1. Take the solar panel and panel base.



2. Twist the solar panel on the panel base.



2. Drill two holes on the wall based in the holes in the panel base, then insert in the panel base, then insert the bulged tubes into the holes. Finally fix the panel base on the wall by screws.



Install On the Pillar or Fence

*Make sure the solar panel is installed where direct sunlight is sufficient.



Make sure the panel is 45° from the horizontal level. This angle can be adjusted.

Be away from shadow of trees or buildings.

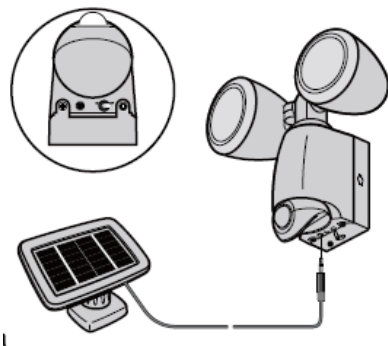
Be away from place where other night lights existing.

WARNING:

please regularly check the panel and light after installation, to avoid any unpredictable fire or electronic shock!

5 Complete The Installation

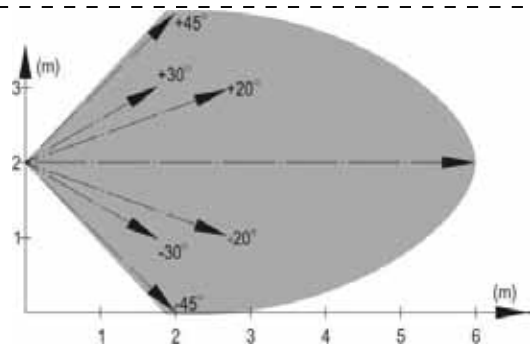
- 1.insert the wire plug into the socket on the bottom of the PIR Solar Spotlight body.
- 2.turn the switch “on” after completing installation.



6 PIR Sensor Sense Range

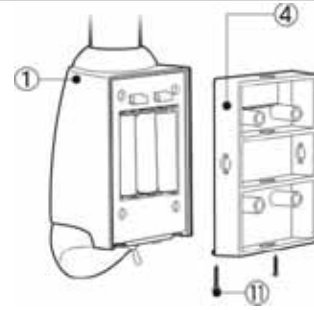
Please check the following data for the sense range.

Remarks: This sense range will verify with different environment, like temperature, place, climate etc.



7 Replace the parts

1. LED can't be replaced
2. Battery replacement
 - * Turn the switch "off"
 - * See 3. PIR Solar Spotlight body installation
 - * Replace the batteries with 3pcs 1.2V AA 1300mAh Ni-MH rechargeable batteries



8 Problem Solving

- *Make sure the switch is "on".
- *Make sure the panel is not broken.
- *Make sure the panel is installed in places free from shadow
- *Make sure the panel is not polluted by dirt. If have, please clean it with water by soft cloth. Do not use solvents. Take extreme care not to scratch the clear cover.

9 Safety Guide

- *The PIR Solar Spotlight is waterproof on normal conditions, but please make sure it is not always exposed to a lot of water, or installed in some moist places, like bathroom.
- *Make sure hands are not wet when replacing the batteries.
- *Make sure not to reconstruct the PIR Solar Spotlight by yourself, to avoid any possible malfunction, fire or electronic shock.
- *Make sure the PIR Solar Spotlight is not installed where the temperature is too high.
- *Please notice that the Ni-MH batteries recharging capacity might decline under extreme low temperature.
- *The LED inside can not be replaced.

10 Technical Data

LED	2pc 1watt power LED (2 heads)
Battery	3pcs 1300mAh Ni-MH batteries
Sensor	PIR sensor
Sense	About 6m*90°
Light duration per sense	25~35 seconds
Material	Plastic
Wire length	About 5m

Thank you for purchasing a quality Rosewill Product.

Please register your product at : www.rosewill.com for complete warranty information and future support for your product.

Rosewill[®]

www.rosewill.com

Free Manuals Download Website

<http://myh66.com>

<http://usermanuals.us>

<http://www.somanuals.com>

<http://www.4manuals.cc>

<http://www.manual-lib.com>

<http://www.404manual.com>

<http://www.luxmanual.com>

<http://aubethermostatmanual.com>

Golf course search by state

<http://golfingnear.com>

Email search by domain

<http://emailbydomain.com>

Auto manuals search

<http://auto.somanuals.com>

TV manuals search

<http://tv.somanuals.com>