

ROTEL

**Owner's Manual
Manuel de l'utilisateur
Manuale di Istruzioni
Manual de Instruccioness
Gebruiksaanwijzing
Bruksanvisning**

RCC-1055

CD Multi-Disc Changer

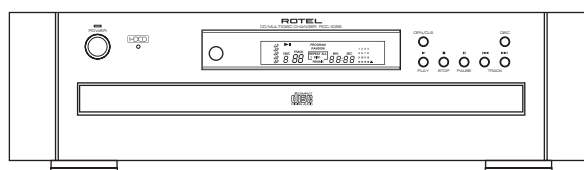
Changeur Multidisques CD

Lettores Multi CD

Lector de Discos Compactos Multicarga

CD Wisselaar

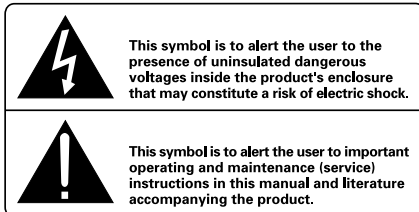
CD-Växlare




APPLICABLE FOR USA, CANADA OR WHERE APPROVED FOR THE USAGE

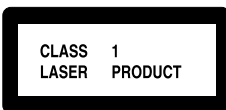
CAUTION: TO PREVENT ELECTRIC SHOCK, MATCH WIDE BLADE OF PLUG TO WIDE SLOT. INSERT FULLY.

ATTENTION: POUR EVITER LES CHOCS ELECTRIQUES, INTRODUIRE LA LAME LA PLUS LARGE DE LA FICHE DANS LA BORNE CORRESPONDANTE DE LA PRISE ET POUSSER JUSQU'AU FOND.



This Class B digital apparatus complies with Canadian ICES-003.

Cet appareil numérique de la classe B est conforme à la norme NMB-003 du Canada.


IMPORTANT FOR LASER PRODUCTS

1. CLASS 1 LASER PRODUCT
2. **DANGER:** Visible laser radiation when open and interlock failed or bypassed. Avoid direct exposure to beam.
3. **CAUTION:** Do not open the top cover. There are no user serviceable parts inside the player; leave all servicing to qualified service personnel.

WARNING!

To reduce the risk of electrical shock, fires, etc.:

1. Do not remove screws, covers or cabinet.
2. Do not expose the unit to rain or moisture.
3. Do not touch the power cord or plug with wet hands.

CAUTION	-LASER RADIATION WHEN OPEN. DO NOT STARE INTO BEAM.
ATTENTION	-RAYONNEMENT LASER EN CAS D'OUVERTURE. NE PAS REGARDER DANS LE FAISCEAU.
VORSICHT	-LASERSTRAHLUNG. WENN ABDECKUNG GEÖFFNET. NICHT IN DEN STRAHL BLICKEN.
ADVARSEL	-LASERSTRÅLING VED ÅBNING. SE IKKE IND I STRÅLEN.
ADVARSEL	-LASERSTRÅLING NÅR DEKSEL ÅPNES. STIRR IKKE INN I STRÅLEN.
VARNING	-LASERSTRÅLING NÅR DENNA DEL ÄR ÖPPNAD. STRÅRA EJ IN I STRÅLEN.
VARO!	AVATTAESSA OLET ALTTIINA LASERSÄTEILYLLE. ÄLÄ TUJOTA SÄTEESEEN.
注意	- 当打开这里会出现激光。 请不要直视激光。
注意	- ここを開くとレーザー光が出ます。 レーザー光をのぞき込まないでください。

Important Safety Instructions

WARNING: There are no user serviceable parts inside. Refer all servicing to qualified service personnel.

WARNING: To reduce the risk of fire or electric shock, do not expose the unit to moisture or water. Do not allow foreign objects to get into the enclosure. If the unit is exposed to moisture, or a foreign object gets into the enclosure, immediately disconnect the power cord from the wall. Take the unit to a qualified service person for inspection and necessary repairs.

Read all the instructions before connecting or operating the component. Keep this manual so you can refer to these safety instructions.

Heed all warnings and safety information in these instructions and on the product itself. Follow all operating instructions.

Clean the enclosure only with a dry cloth or a vacuum cleaner.

You must allow 10 cm or 4 inches of unobstructed clearance around the unit. Do not place the unit on a bed, sofa, rug, or similar surface that could block the ventilation slots. If the component is placed in a bookcase or cabinet, there must be ventilation of the cabinet to allow proper cooling.

Keep the component away from radiators, heat registers, stoves, or any other appliance that produces heat.

The unit must be connected to a power supply only of the type and voltage specified on the rear panel of the unit.

Connect the component to the power outlet only with the supplied power supply cable or an exact equivalent. Do not modify the supplied cable in any way. Do not attempt to defeat grounding and/or polarization provisions. Do not use extension cords.

Do not route the power cord where it will be crushed, pinched, bent at severe angles, exposed to heat, or damaged in any way. Pay particular attention to the power cord at the plug and where it exits the back of the unit.

The power cord should be unplugged from the wall outlet if the unit is to be left unused for a long period of time.

Immediately stop using the component and have it inspected and/or serviced by a qualified service agency if:

- The power supply cord or plug has been damaged.
- Objects have fallen or liquid has been spilled into the unit.
- The unit has been exposed to rain.
- The unit shows signs of improper operation
- The unit has been dropped or damaged in any way

Place the unit on a fixed, level surface strong enough to support its weight. Do not place it on a moveable cart that could tip over.



Notice

The **COMPUTER I/O connection should be handled by authorized person only.**

FCC Information

This equipment has been tested and found to comply with the limits for a Class B digital device, pursuant to Part 15 of the FCC Rules. These limits are designed to provide reasonable protection against harmful interference in a residential installation. This equipment generates, uses and can radiate radio frequency energy and, if not installed and used in accordance with the instruction, may cause harmful interference to radio communications.

However, there is no guarantee that interference will not occur in a particular installation. If this equipment does cause harmful interference to radio or television reception, which can be determined by turning the equipment off and on, the user is encouraged to try to correct the interference by one or more of the following measures:

- Reorient or relocate the receiving antenna.(TV, radio, etc.)
- Increase the separation between the equipment and receiver
- Connect the equipment to an outlet on circuit different from that to which the receiver is connected.
- Consult the dealer or an experienced radio/TV technician for additional help.

Caution

This device complies with part 15 of the FCC Rules operation is subject to the following to conditions: (1) This device may not cause harmful interference, and (2) this device must accept any interference received, including interference that may cause undesired operation.

Figure 1: Controls and Connections
Commandes et branchements
Controlli e Collegamenti
Controles y Conexiones
De bedieningsorganen en de aansluitingen
Funktioner och anslutningar

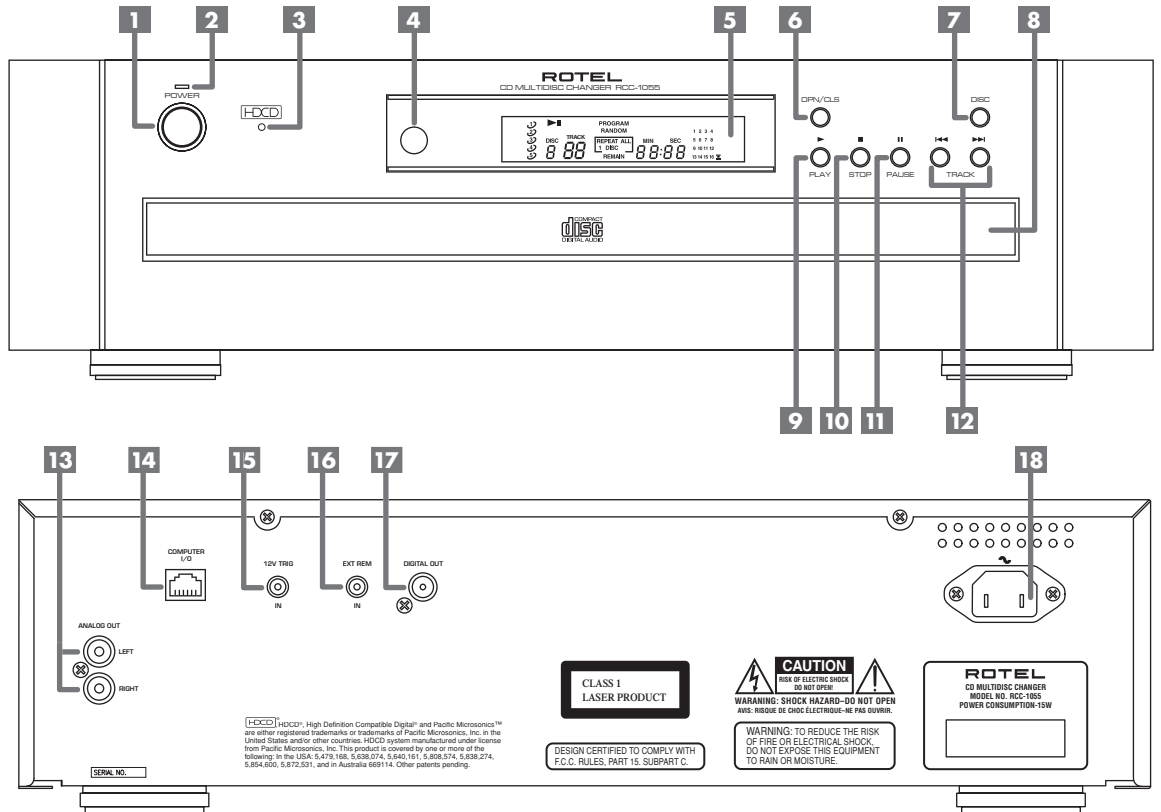


Figure 2: Display Panel
Afficheur en façade
Pannelo Display
Panel de Visualización
Het informatiescherm
Display

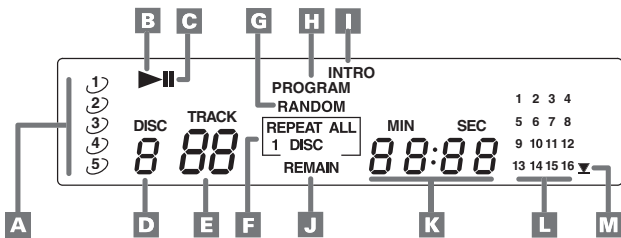


Figure 3: RR-D92 Remote Control
Télécommande RR-D92
Telecomando RR-D92
Mando a Distancia RR-D92
De RR-D92 afstandsbediening
RR-D92 Fjärrkontroll

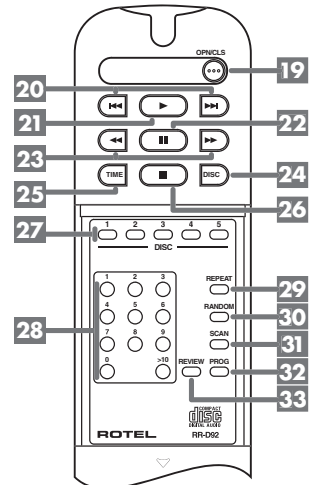


Figure 4: Analog Signal Connection
Branchement du signal analogique
Collegamento di segnale analogico
Conexiones de Señal Analógicas
Analoge signaal verbinding
Analoga utgångar

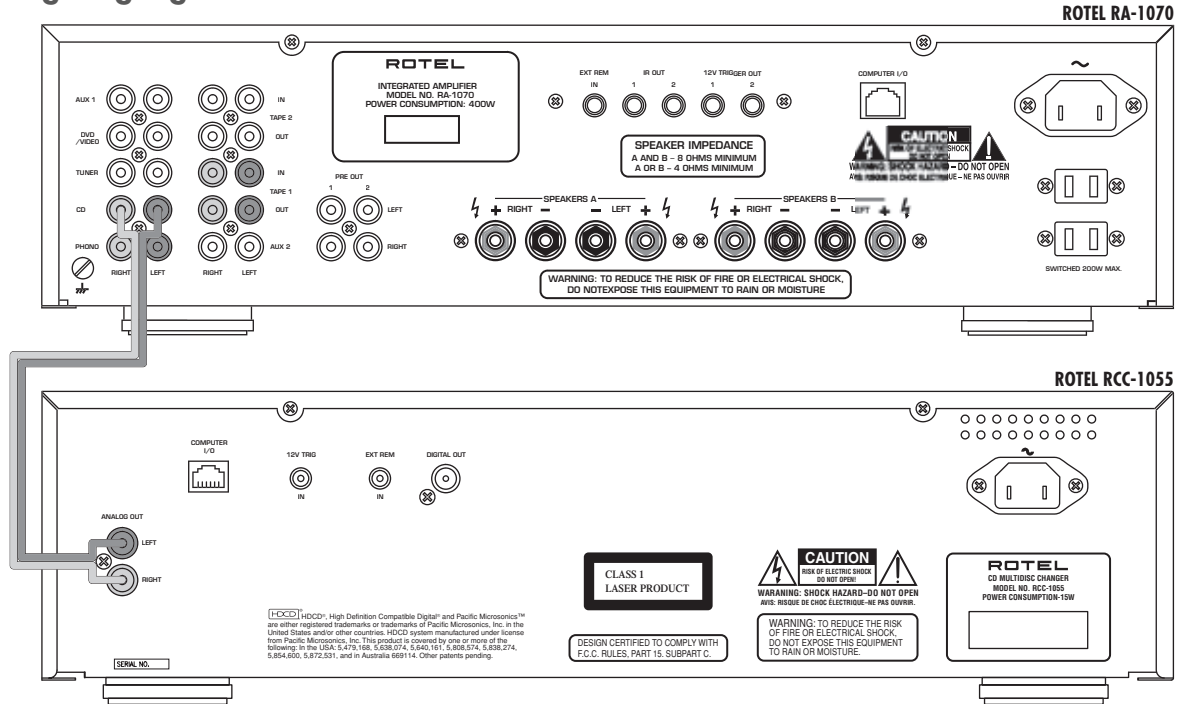
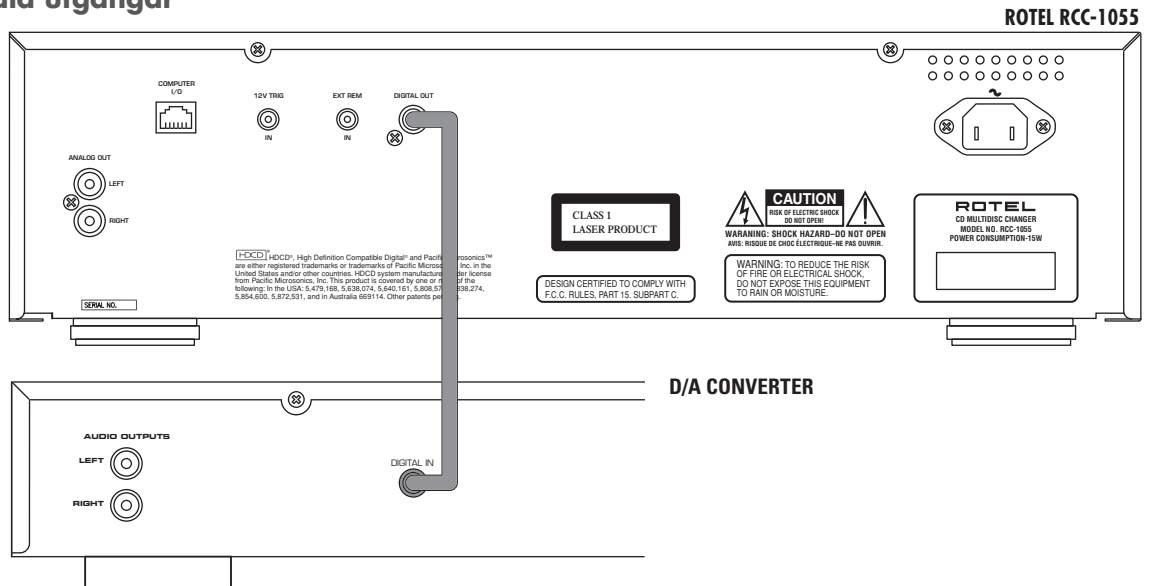


Figure 5: Digital Signal Connection
Branchement du signal numérique
Collegamento di segnale digitale
Conexiones de Señal Digitales
Digitale signaal verbinding
Digitala utgångar



Contents

Figure 1: Controls and Connections	3
Figure 2: Display Panel	3
Figure 3: RR-D92 Remote Control	3
Figure 4: Analog Signal Connection	4
Figure 5: Digital Signal Connection	4
About Rotel	5
Getting Started	5
A Few Precautions	6
Placement	6
Cables	6
Handling Compact Discs	6
AC Power and Control	7
AC Power Input 18	7
Power Switch 1 and Power Indicator 2	7
Output Connections	7
Analog Outputs 13	7
Digital Output 17	7
Remote Control	7
Remote Sensor 4	7
External Remote Input 16	7
Remote Control Batteries	8
12 Volt Trigger Input 15	8
Computer I/O Connector 14	8
Loading Discs	8
Disc Tray 8 and Open/Close Buttons 6 and 19	8
Disc Skip Buttons 7 and 24	8
Selecting a Disc to Play	8
Disc 1-5 Buttons 27	8
Playing Discs	9
Play Buttons 9 and 21	9
Pause Button 11 22	9
Stop Button 10 26	9
Track Skip Buttons 12 20	9
Track Selection Buttons 28	9
Search Buttons 23	9
About HDCD® 3	9
Display Panel 5	9
Time Display Button 25	10
Each/Remain Mode	10
Total/Remain Mode	10
Repeat Play Button 29	10
Repeat 1 Track	10
Repeat 1 Disc	10
Repeat All Discs	10
Random Play Button 30	11
Intro Scan Button 31	11
Programmed Disc Play	11
Program Button 32	11
Track Programming	11
Adding Tracks to a Program	12
Review Button 33	12
Playing Programmed Tracks	12
Troubleshooting	13
Display Is Not Lit	13
Fuse Replacement	13
Disc Does Not Play	13
No Sound	13
Sound Skips	13
Hum	13
Specifications	13

About Rotel

A family whose passionate interest in music led them to manufacture high fidelity components of uncompromising quality founded Rotel over 40 years ago. Through the years that passion has remained undiminished and the family goal of providing exceptional value for audiophiles and music lovers regardless of their budget, is shared by all Rotel employees.

The engineers work as a close team, listening to, and fine tuning each new product until it reaches their exacting musical standards. They are free to choose components from around the world in order to make that product the best they can. You are likely to find capacitors from the United Kingdom and Germany, semi conductors from Japan or the United States, while toroidal power transformers are manufactured in Rotel's own factory.

Rotel's reputation for excellence has been earned through hundreds of good reviews and awards from the most respected reviewers in the industry, who listen to music every day. Their comments keep the company true to its goal - the pursuit of equipment that is musical, reliable and affordable.

All of us at Rotel, thank you for buying this product and hope it will bring you many hours of enjoyment.

Getting Started


Thank you for purchasing the Rotel RCC-1055 CD Multi-Disc Changer. When used in a high-quality music audio system, it will provide years of musical enjoyment.

The RCC-1055 is a full featured, high performance component. It is the ideal choice for those who want the convenience of a CD changer, but who will not accept compromised sound quality. The RCC-1055 features high precision 8-times oversampling digital filters. In addition it incorporates HDCD circuitry.

Ease of operation has not been forgotten. While one disc is playing you can change any of the other four. Full remote control, 32 track programming, and track scanning are provided.

The highest quality components, such as metal film resistors and polystyrene or polypropylene capacitors are used in important signal paths. All aspects of this design have been examined with the final goal being faithful reproduction of music.

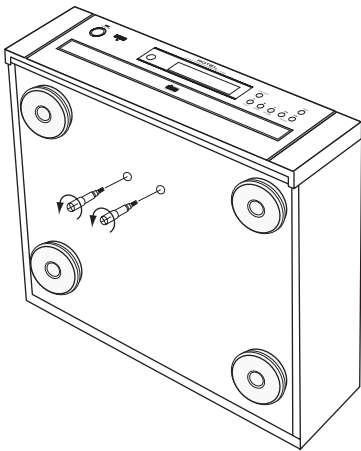
The RCC-1055 is easy to install and use. If you have experience with other stereo systems, you shouldn't find anything perplexing. Simply connect it to the associated components and enjoy.

 , HDCD®, High Definition Compatible Digital® and Pacific Microsonics™ are either registered trademarks or trademarks of Pacific Microsonics, Inc. in the United States and/or other countries. HDCD system manufactured under license from Pacific Microsonics, Inc. This product is covered by one or more of the following: In the USA: 5,479,168, 5,638,074, 5,640,161, 5,808,574, 5,838,274, 5,854,600, 5,864,311, 5,872,531 and in Australia: 669114. Other patents pending.

A Few Precautions

Please read this manual carefully. It provides information on how to incorporate the RCC-1055 into your system as well as information that will help you get optimum sound performance. Please contact your authorized Rotel dealer for answers to any questions you might have. In addition, all of us at Rotel welcome your questions and comments.

NOTE: There are 2 screws that hold the disc drawer securely in place during shipment. The screws have red plastic handles that make them easy to identify and remove. Gently turn the RCC-1055 on its side and turn the screws counterclockwise to remove them. If the screws are not removed the disc drawer will not open.



If you neglected to remove the screws before attempting to use the RCC-1055, turn the unit off and unplug it from the wall outlet. Then remove the screws as described above.

Keep the screws in a safe place because they must be replaced when the RCC-1055 is moved. Before the RCC-1055 is moved, remove all the CDs from the disc tray and close the disc drawer. Wait until the display shows "0 00 00:0" then turn off the power switch and unplug the power cord from the wall outlet. Turn the unit on its side and re-install the screws.

Save the RCC-1055 shipping carton and all enclosed packing material for future use. Shipping or moving the RCC-1055 in anything other than the original packing material may result in severe damage to your amplifier.

The RCC-1055 is designed to play compact discs bearing the identification logo shown here. Other types of disc must not be used.



Before moving the RCC-1055, remove all discs from the unit. This will prevent possible damage should the discs shift out of their normal positions inside the unit.

Keep the disc tray closed except when loading or unloading discs. This helps keep dust away from the sensitive laser pick up.

Fill out and send in the owner's registration card packed with the RCC-1055. Also be sure to keep the original sales receipt. It is your best record of the date of purchase, which you will need in the event warranty service is ever required.

Placement

Like all audio components that handle low-level signals, the RCC-1055 can be affected by its environment. To minimize the chance the RCC-1055 will pick up hum or interference, do not place it on top of an amplifier or any other device that has a large power transformer. Keep the RCC-1055 away from devices that have motors for the same reason. Do not place the RCC-1055 where it will be exposed to direct sunlight. Finally do not use the RCC-1055 where the temperature will be above 95°F/35°C or below 41°F/5°C. If the RCC-1055 is moved from a cold environment to a warm one, condensation can form on the optical components, which will prevent proper operation. Do not use the RCC-1055 for at least 30 minutes after it is moved from a cold environment.

We recommend installing the RCC-1055 in furniture designed to house audio components. Such furniture is designed to reduce or suppress vibration which can adversely affect sound quality. Ask your authorized Rotel dealer for advice about component furniture and proper installation of audio components.

Cables

Be sure to keep the power cords, digital signal cables and regular audio signal cables in your installation away from each other. This will minimize the chance of the regular audio signal cables picking up noise or interference from the power cords or digital cables. Using only high quality, shielded cables will also help to prevent noise or interference from degrading the sound quality of your system. If you have any questions see your authorized Rotel dealer for advice about the best cable to use with your system.

Handling Compact Discs

Handle CDs carefully. Hold them by the edges, as shown here, and avoid touching the playing surface.



Fingerprints and dust should be carefully wiped off the disc's signal surface (glossy surface) with a soft cloth. Wipe in a straight motion from the inside to the outside of the disc.

Never use chemicals, such as record cleaning sprays, anti-static sprays or fluids, benzine or thinner to clean compact discs. These chemicals will damage the disc's plastic surface.

Keep discs in their storage cases when not in use to protect them from dust and scratches. Do not expose compact discs to direct sunlight, high humidity or high temperatures for extended periods of time.

AC Power and Control

AC Power Input 18

Your RCC-1055 is configured at the factory for the proper AC voltage in the country where you purchased it (either 115 volts or 230/240 volts). The AC line configuration is noted on a decal on the back panel.

NOTE: Should you move your CD player to another country, it may be possible to re-configure it for use on a different line voltage. Do not attempt to perform this conversion yourself. Opening the enclosure of the RCC-1055 exposes you to dangerous voltages. Consult a qualified service person or the Rotel factory service department for information.

The RCC-1055 should be plugged directly into a 2-pin polarized wall outlet or into the switched outlet on another component in your audio system. Do not use an extension cord.

Be sure the power switch on the front panel of the RCC-1055 is turned off (in the "out" position). Then plug the power cord into an AC power outlet.

If you are going to be away from home for an extended period of time such as a month-long vacation, it is a sensible precaution to unplug your CD player (as well as other audio and video components) while you are away.

Power Switch 1 and Power Indicator 2

The Power Switch is located on the left side of the front panel. Push the switch button in to turn on the RCC-1055. To turn the RCC-1055 off, push the button again to return it to the "out" position.

NOTE: If you are using a switched outlet to turn on and off your CD player, you should leave the power switch in the "on" position. When AC power is applied to the unit, it will power up in fully active mode.

When the Power Switch is turned on the disc in position 1 in the tray is selected. The Disc and Track Displays illuminate and show Disc 1/Track 1. The Time Indicator also illuminates.

Output Connections

The RCC-1055 gives you a choice of analog or digital output signals. The analog output signal from the built-in Digital to Analog converter is used with conventional analog audio components. The digital output, which provides an unprocessed digital data signal, is used with outboard D/A converters or digital processors.

NOTE: To prevent loud noises that neither you nor your speakers will appreciate, make sure all the system components are turned off when you make any signal connections.

Analog Outputs 13

[See Figure 4 for wiring illustration]

A pair of standard RCA jacks supplies a conventional unbalanced analog output signal from the RCC-1055 to the source inputs of an audio preamplifier, integrated amplifier, or receiver. RCA connections are found on virtually all components. Select high quality audio interconnect cables. Connect the left channel output of the RCC-1055 to the left channel source input on the preamplifier or other component. Connect the right output of the RCC-1055 to the right channel source input on the preamplifier or other component.

Digital Output 17

[See Figure 5 for connection illustration]

If you are using the RCC-1055 as a disc transport with an outboard D/A converter or other digital processor, you need an unprocessed digital data stream from the RCC-1055, taken before the built-in D/A converter. This signal is supplied by the back-panel coaxial digital output jack. Using a standard 75 ohm coax cable, connect the digital output jack to the digital input connector on the outboard D/A converter.

Remote Control

The RCC-1055 is supplied with an RR-D92 remote control. When using the RR-D92 the emitter on the front of the control must be pointed at the RCC-1055 front panel. The basic disc play functions are controlled by the button located near the front of the RR-D92. There is a cover over the lower portion of the RR-D92 that slides down to reveal buttons that control secondary functions, such as programming, disc scanning and direct disc selection.

The RR-D92 duplicates the basic disc play control functions of the front panel control buttons. When a disc play control is on both the front panel and the remote control, both control identifiers are shown in the related instruction text. For example, to play a disc you can press either 9 on the front panel or 20 on the remote control. There are some functions, such as programmed track play functions, that are operated exclusively by the RR-D92.

Remote Sensor 4

The Remote Sensor picks up the infrared signals from the remote control. Do not cover or block the sensor. It must be unobstructed or the remote control will not work properly. The operation of the Remote Sensor can also be affected if it is exposed to bright light, particularly sunlight. Certain types of lighting, such as halogen lights, that emit a fair amount of infrared light, can also interfere with proper operation. In addition remote control functions may not work reliably if the batteries in the RR-D92 are weak.

External Remote Input 16

This connector is designed to be used in conjunction with Xantech™ brand Video Link™ IR signal pick ups (sold separately by custom system installers). This feature enables you to operate the RCC-1055 with the hand held remote control even when it is installed where it is not visible from your listening location. Contact your authorized Rotel dealer for more information.

Video Link and Xantech are Trademarks of Xantech Corporation.

Remote Control Batteries

The supplied batteries must be installed before the remote control can be used. Slide the secondary control cover down until it stops. Then gently press the small triangular symbol on the cover and slide the cover down to expose the battery well. Install the batteries with the terminals as shown in the illustration in the battery well. Test the control for proper operation, then slide the cover back into place. When the batteries become weak the remote control won't operate the RCC-1055 consistently. Installing fresh batteries should eliminate the problem.

NOTE: Remove the batteries from the remote control if it will not be used for a long period of time. Do not leave run down batteries in the remote control. Exhausted batteries can leak corrosive chemicals which will damage the unit.

12 Volt Trigger Input 15

The RCC-1055 can be activated by a 12 volt trigger signal. The trigger input accepts any control signal (AC or DC) ranging from 3 volts to 30 volts. When a cable is connected to the 12V input and a trigger signal is present, the RCC-1055 is activated. When the trigger signal is turned off, the unit goes into standby mode. The front panel power indicator remains lit, but the display goes dark and the unit will not operate.

NOTE: When using the 12V Trigger feature, leave the POWER button in the ON position.

Computer I/O Connector 14

The RCC-1055 can be operated from a personal computer running audio system control software from third-party developers. This control is accomplished by sending the operating codes normally sent by the RR-D92 remote control over a hard-wired network connection from the computer.

The COMPUTER I/O input provides the necessary connection on the back panel. It accepts standard RJ-45 8-pin modular plugs, such as those commonly used in 10-BaseT UTP Ethernet cabling.

For additional information on the connections, software, and operating codes for computer control of the RCC-1055, contact your authorized Rotel dealer.

Loading Discs

Disc Tray 8 and Open/Close Buttons 6 and 19

Press the Open/Close button on either the front panel or the remote control to open the Disc Tray. Place discs in the numbered recesses in the Disc Carousel with the label sides up. Be sure the discs are centered in the recesses in the Disc Carousel. Both standard 12cm discs and 8cm discs may be loaded. There is a separate recessed area in the carousel for 8cm discs. When the Disc Tray is open discs can be loaded into the three disc positions at the front of the tray. To load discs into the remaining positions press the Disc Skip button 7 24 to rotate the carousel. Press the Open/Close button again to close the Disc Tray when you are done loading discs.

NOTE: Do not push the Disc Tray in manually. Doing so could cause damage. Use the Open/Close buttons. Do not touch the Disc Carousel while it is turning or attempt to turn it by hand, as this also could cause damage. Use the Disc Skip buttons and let the Disc Carousel come to a stop before loading or removing discs.

You can also load discs into the RCC-1055 while a disc is playing. Press the Open/Close button to open the Disc Tray. Three of the four disc positions will be available for disc loading. To access the remaining position press the Disc Skip button. The disc tray will turn to allow access to the remaining disc position. Press the Open/Close button again to close the Disc Tray when you are done loading discs.

Disc Skip Buttons 7 and 24

The Disc Skip buttons have two functions. One is to turn the Disc Carousel when you are loading discs, as described in the previous section.

NOTE: Do not turn the carousel by hand; use the Disc Skip button. Do not touch the carousel while it is turning.

The other function of the Disc Skip button is to select a disc to be played. The next higher numbered disc is selected each time the Disc Skip button is pressed. If disc 5 is selected, pressing the Disc Skip button selects disc 1.

Pressing the Disc Skip button when a disc is not playing selects the next disc. If the Disc Skip button is pressed when a disc is playing, the RCC-1055 stops playing the current disc, selects the next disc, and begins playing track 1 of that disc.

Selecting a Disc to Play

In addition to the Disc buttons described above, the remote control may also be used to select discs.

Disc 1-5 Buttons 27

(remote only)

Press the button that corresponds to the disc you want to select. Pressing one of the Disc 1-5 buttons when a disc is not playing simply selects the corresponding disc. If one of the Disc 1-5 buttons is pressed when a disc is playing, the RCC-1055 stops playing the current disc, selects the corresponding disc, and begins playing track 1 of the disc.

Playing Discs

Play Buttons **9** and **21**

Press the Play Button to play the disc indicated in the Disc Display. The disc will begin playing with Track 1, unless another track has been selected before the Play button is pressed.

Unless one of the Repeat Play functions has been selected:

- After the last track on discs 1 through 4 is played, the next disc is selected and play continues with track 1 of the disc.
- At the end of disc 5 disc play stops.

See the Repeat Play section for more information.

Pause Button **11** **22**

Press the Pause Button to temporarily stop playing the disc. Press the Pause Button again, or the Play Button, to resume playing the disc at the same track and time.

Stop Button **10** **26**

Press the Stop Button to stop playing the disc. The disc will remain selected but the track selection will go back to track 1.

Track Skip Buttons **12** **20**

When a disc is not playing:

- Press the **▶▶** button to select the next track on the disc. Press and hold the **▶▶** button to advance more than one track on the disc.
- Press the **◀◀** button to select the previous track on the disc. Press and hold the **◀◀** button to go back more than one track on the disc.

When a disc is playing:

- Press the **▶▶** button to skip the rest of track being played and begin playing at the beginning of the next track on the disc. Press and hold the **▶▶** button to advance more than one track on the disc.
- Press the **◀◀** button to return to the beginning of the track being played. Press and hold the **◀◀** button to go back more than one track on the disc.

Track Selection Buttons **28**

(remote only)

To select a specific track on a disc, press the corresponding Track Selection buttons. The selected track immediately begins playing. To select tracks higher than number 10 use the ">10" button. For example, to select track 17, press the ">10" button then the "7" button.

NOTE: When the RCC-1055 is in Programmed Play mode, the Track Selection buttons are used to select tracks to be added to the program. See the Programmed Disc Play section.

Search Buttons **23**

(remote only)

Press and hold the **▶▶** or **◀◀** buttons to quickly search a disc in the forward or reverse direction. For the first five seconds the search speed will be approximately four times normal playing speed. After three seconds the search speed will increase to approximately 20 times normal playing speed. The sound volume is reduced while the search function is being used. The search function may be used when disc play has been temporarily stopped with the Pause function, however no sound is heard. The Search function will not go past the beginning or end of the selected disc.

About HDCD® **3**

HDCD discs are encoded with a high density data stream. During playback this high density data stream is decoded to a conventional digital signal. This HDCD encode/decode system greatly reduces the errors that are normally generated during the analog-to-digital, and then digital-to-analog, conversions. The HDCD system is automatically activated, and the HDCD Indicator **3** lights, whenever an HDCD disc is played.

Display Panel **5**

The Disc Indicators **A** shows the positions in the Disc Tray that have discs in them.

The Play Indicator **B** is lit whenever a disc is playing.

The Pause Indicator **C** is lit when disc play has been temporarily stopped with the Pause button.

The Disc Selection Indicator **D** typically shows the number of the disc currently selected. If the Remaining Disc Playing Time display option has been selected the Disc Selection Indicator changes to a "--". See the Time Display section.

The Track Indicator **E** shows either the track that is selected, the total number of tracks on the disc, or the number of tracks that remain on the disc. See the Time Button section.

One of the Repeat Play Mode Indicators **F** will light if one of the repeat play options has been selected. See the Repeat Play Button section for more information.

The Random Play Indicator **G** is lit when one of the random play options is being used. See the Random Play section.

The Program Play Indicator **H** lights whenever the track programming function is activated. See the Programmed Play Section.

The Intro Scan Indicator **I** is lit when the Intro Scan feature is activated. See the Intro Scan section.

The Remaining Time Indicator **J** lights when one of the alternative time display functions is activated. See the Time Display Section.

The Time Display **K** shows either the total playing time of the disc that is selected, the amount of time the current track has been playing, the remaining playing time of the current track, or the remaining time of the disc that is playing. See the Time Button section.

Track Calendar Display **L** shows the total number of tracks on the disc that is playing and the track that is currently playing. If the selected disc has more than 16 tracks the Additional Track Indicator **M** is lit.

When a disc is selected, the Track Calendar Display shows the total number of tracks on the disc. The number of the track that is playing flashes. After a track is played the number for that track is turned off. If there are more than 16 tracks on the disc after track 16 is played the **M** indicator flashes. The Track Indicator shows the number of the track being played, or the number of tracks remaining, depending on the Time Display mode selected.

When programmed tracks are played, only the number(s) of the programmed track(s) are illuminated. The number of the track that is playing flashes, and is turned off after the track is played. See the Programmed Play section.

Time Display Button **25**

(remote only)

When a disc is selected, but not playing, the Time Display shows the total playing time of the disc and the number of tracks on the disc. When a disc is playing, the Time Display shows the track number and the amount of time the track has been playing. Press the Time Display button to change the Time/Track Display mode.

Each/Remain Mode

Press the Time button once to select the Each/Remain mode. The Remaining Time Indicator lights. The Track Indicator shows the track being played. The Time Display shows the amount of time remaining on the track that is playing.

Total/Remain Mode

Press the Time button again to select the Total/Remain mode. The Remaining Time Indicator remains lit. The Track Indicator shows the number of tracks remaining to be played. The Disc Display changes from the number of the disc that is playing to a "--". The Time Display shows the amount of time remaining on the disc.

Pressing the Time button when the Total/Remain mode is selected changes the Time/Track Display back to the Normal Display mode. The Time/Track Display also reverts to the normal display mode when disc play is stopped and started again.

Repeat Play Button **29**

(remote only)

Normally discs 1 through 5 play in sequence and play stops at the end of disc 5. Press the Repeat Play button to select the Repeat 1 Track mode. Press it again to select the Repeat 1 Disc mode. Press it again to select the Repeat All Disc mode. Press it once more to return to normal disc play mode. Repeat Play functions may be turned on or off at any time, even when a disc is playing.

Repeat 1 Track

When the Repeat 1 Track function is selected the "Repeat" and "1" indicators in the display light. If the Repeat 1 Track option is selected when a disc is not playing, the track that is selected when the play button is pressed is repeated. If the Repeat 1 Track option is selected while a track is playing, that track continues to play and is then repeated.

The Track Skip buttons function normally when the Repeat 1 Track option is selected. If a new track is selected with the Track Skip buttons, it is repeated until the Repeat Playing option is turned off. The Search buttons function normally when the Repeat 1 Track option is selected. You can search forward to the next track, and backward to the previous track. The new track is then repeated.

If the Programmed Play feature is being used the Repeat 1 Track feature cannot be selected.

Repeat 1 Disc

When the Repeat 1 Disc function is selected the "Repeat", "1" and "Disc" indicators in the display light. If the Repeat 1 Disc option is selected when a disc is not playing, the disc that is selected when the play button is pressed begins playing track 1. After the last track on the disc, play continues, starting with track 1 of the disc. If the Repeat 1 Disc option is selected while a track is playing, that track continues to play. After the last track on the disc, play continues, starting with track 1 of the disc.

The Track Skip buttons function normally when the Repeat 1 Track option is selected. If a new track is selected with the Track Skip buttons, it is repeated until the Repeat Playing option is turned off. The Search buttons function normally when the Repeat 1 Track option is selected. You can search forward to the next track, and backward to the previous track. The new track is then repeated.

If the Programmed Play feature is being used the Repeat 1 Track feature cannot be selected.

Repeat All Discs

When the Repeat All Discs option is selected the "Repeat All Disc" indicators in the display are lit. All the tracks on all the discs are played in sequence, beginning with the track that is selected or playing. After the last track on disc 5 is played, track 1 of disc 1 is played. All the discs continue to play in sequence until the Repeat All Discs function is turned off.

The Disc Skip and Disc Search feature work normally when the Repeat All Discs function is turned on.

If the Programmed Play feature is being used, the programmed tracks are played in sequence. When the last programmed track is played, play continues with the first programmed track. See the Programmed Play section for more information.

The Track Skip and Search functions work normally when the Repeat All Discs feature is being used.

Random Play Button 30

(remote only)

The Random Play feature randomly selects tracks to be played. Press the Random button to turn the feature on. Press it again to turn Random Play off. When the Random Play is active the Random Indicator **G** in the display is illuminated.

If Random Play is turned on when a disc is not playing, a track is randomly selected when the play button is pushed. If a disc is playing when Random Play is turned on, another track is randomly selected immediately and begins playing.

The Random Play feature can be set to select only tracks from a single disc. While a disc is not playing, press the Random Play button 30, then select the number of the disc to select tracks from with the disc select buttons 27. When you press the play button tracks are randomly selected from the selected disc.

If the Track Skip Forward button ►► is pressed when a disc is playing and Random Play is turned on, another track is immediately randomly selected. If the Track Skip Back button ◀◀ is pressed when a disc is playing and Random Play is turned on, the same track begins playing from the beginning.

The Search Forward button ►► functions normally when Random Play is turned on. If you search forward to the end of a track another track is randomly selected. The Search Reverse button ◀◀ will allow you to search back to the beginning of the track that is playing.

Random Play can be used in conjunction with Programmed Play. If Random Play is turned on after a set of tracks has been programmed, the programmed tracks are played in random order.

NOTE: In order to use these two together the Random Play must be turned on after tracks have been programmed. If Random Play is turned on the Programmed Play feature cannot be selected.

If the Repeat 1 Track or Repeat 1 Disc feature is on, it is deactivated when Random Play is turned on. The Random Play and Repeat All Discs features may be used together.

Intro Scan Button 31

(remote only)

The Intro Scan feature lets you listen to a short section of the beginning of musical tracks. Press the Scan button to turn on the Intro Scan feature. Press the Scan button again, or the Stop button, to turn Intro Scan off. When the Intro Scan feature is active the Intro indicator **I** in the display is lit.

If Programmed Play is not being used, the first 10 seconds of each track on each loaded disc is played in sequence, beginning with the currently selected track. After the first 10 seconds of the last track on disc 5 is played, Intro Scan playing stops. If Programmed Play is being used, the first 10 seconds of each programmed track is played, beginning with the currently selected programmed track. After the first 10 seconds of the last programmed track is played, Intro Scan playing stops.

If Intro Scan is turned on when a disc is not playing, scanning begins with the track that is selected. If a disc is playing when Intro Scan is turned on, the RCC-1055 skips to the next track, plays the first 10 seconds of that track, and each of the following tracks. There is one exception - if Intro Scan is turned while the first 10 seconds of a track is playing. In that instance the remainder of the first 10 seconds of that track is played. The RCC-1055 then skips to the beginning of the next track and continues scanning.

The Intro Scan feature is interactive with Random Play, Programmed Play and Repeat Play. Such combined functions will rarely be used. For example, if both Intro Scan and Repeat Play/All are turned on, the first ten seconds of each disc is played continually in sequence. If both Intro Scan and Random Play are turned on, the first ten seconds of randomly selected tracks are played. If Intro Scan and Programmed Play are active, the first ten seconds of each programmed track are played in sequence. If Repeat Playing/All is also active the first ten seconds of each programmed track are played in sequence continually. Other combinations of functions are possible, but again are unlikely to be used.

Programmed Disc Play

Up to 32 tracks, on any of the loaded discs, can be selected for playback. After a group of tracks have been programmed, they are played back in the programmed order. All programming and programmed play functions are done with the remote control.

Program Button 32

(remote only)

The Program Button is used to turn the Programmed Play feature on and off. When Programmed Play is turned on the Program Play Indicator **H** in the display is lit.

Once a group of tracks have been programmed, only those tracks may be played until the Programmed Play feature is turned off. Press the Program Button to turn off Programmed Play, clear the programmed tracks and return to normal play mode. Programmed tracks are also cleared when the Disc Tray is opened and when the power is turned off.

Track Programming

Programming While a Disc is Playing

Press the Program Play button 32, the Program Indicator **H** in the display lights. The track that is playing when the Program Button is pressed becomes the first programmed selection. The Time display **K** briefly displays "P-01" indicating the track is now programmed selection 1. If the second track you want to add to the program list is on the same disc, use the Track Selection buttons 28 to select the next track. If the second track you want to add to the program list is on a different disc, use the Disc Selection buttons 27 to select the next disc. The Track and Time displays change to indicate another selection is being made. The Time display **K** briefly displays "P-02" indicating the track is now programmed selection 2. Continue selecting new discs (if necessary) and tracks until you have programmed all the tracks you want. Then press the Play button to begin playing the programmed tracks.

Programming Example

While Disc 4 / Track 7 is playing . . .

Pressing Button(s)

Results In

Program Button	Disc 4 / Track 7 becomes selection 1
Track Button 3	Disc 4 / Track 3 becomes selection 2
Disc Button 2, then Track Button 6	Disc 2 / Track 6 becomes selection 3
Track buttons >10 then 1	Disc 2 / Track 11 becomes selection 4
Disc Button 5, then Track Button 9	Disc 5 / Track 9 becomes selection 5
Track Button 7	Disc 5 / Track 7 becomes selection 6
Track Button 4	Disc 5 / Track 4 becomes selection 7
Disc Button 1, then Track Buttons >10 then 2	Disc 1 / Track 12 becomes selection 8
Track Button 10	Disc 1 / Track 10 becomes selection 9

Programming While a Disc is Not Playing

Press the Program Play button **32**, the Program Indicator **H** in the display will light. If the track you want to select first is on the disc that is already selected simply press the Track Selection button(s) **28** to select the first track. The Time display **K** will briefly change to display "P-01" indicating the track is now programmed selection 1. If the track you want to program first is on a different disc from one selected use the Disc Selection buttons **27** to select a different disc, then select the track with the Track Selection buttons. If the second track you want to add to the program list is on the same disc simply use the Track Selection buttons to select the next track. If the second track you want to add to the program list is on a different disc use the Disc Selection buttons to select the next disc. The Track and Time displays will change to indicate another selection is being made. The Time display **K** will briefly change to display "P-02" indicating the track is now programmed selection 2. Continue selecting new discs (if necessary) and tracks until you have programmed all the tracks you want.

Programming Example

While disc 3 is selected but not playing . . .

Pressing Button(s)

Results In

Program Button	Program Mode is activated
Track Button 3	Disc 3 / Track 3 becomes selection 1
Track Button 7	Disc 3 / Track 7 becomes selection 2
Disc Button 4, then Track Buttons >10 then 4	Disc 4 / Track 14 becomes selection 3
Disc Button 5, then Track Button 9	Disc 5 / Track 9 becomes selection 4
Track buttons >10 then 2	Disc 5 / Track 12 becomes selection 5
Disc Button 1, then Track Button 8	Disc 1 / Track 8 becomes selection 6
Disc Button 2, then Track Button 4	Disc 2 / Track 4 becomes selection 7
Track Button 1	Disc 2 / Track 1 becomes selection 8

Adding Tracks to a Program

You can add track selections to the programmed list at any time, even after you've begun playing programmed selections. If the track you want to add is on the disc that is playing, just select the new track with the Track Selection buttons. Or use the Disc Selection buttons and the Track Selection buttons to add new tracks from another disc to the program.

Review Button **33**

Remote Only

Press the Review button to review the programmed tracks. Each time the button is pressed the next disc/track selection, and the program position number, is displayed. This function can be used at any time – when programming, while playing programmed tracks or while programmed tracks are not playing. If you review the programmed tracks while programming or playing programmed tracks, the display temporarily changes to show the programmed selections and then returns to normal mode.

Playing Programmed Tracks

Once a group of tracks has been programmed press the Play button to begin playing the tracks, starting with programmed selection 1. The selected tracks will play in sequence until the last selected track is over. Then disc play stops.

When programmed tracks are playing, the Track Calendar **L** in the display shows only the numbers of the programmed tracks. The number of the track that is playing flashes.

The Pause button functions normally when playing programmed tracks. If you press the stop button while playing programmed tracks, play resumes with programmed selection 1 when the play button is pressed again.

The Track Skip buttons function normally when playing programmed tracks. Press the **▶▶** button to skip to the next programmed track. Press the **◀◀** button to return to the beginning of the track that is playing. Press the **◀◀** again to go back to the previous programmed track. The track skip function will not go past the first or last programmed track unless the Repeat play function is turned on.

The Search Buttons also function when playing programmed tracks. Pressing the **▶▶** button searches forward. If you search to the end of the track the next programmed track is played. If you search to the end of the last programmed track play stops unless the Repeat function is turned on. Pressing the **◀◀** button searches backwards, but the search will not go beyond the beginning of the track that is playing.

The Repeat All Disc function works when programmed tracks are playing. The other Repeat functions cannot be selected. When the Repeat function is turned on the first programmed track begins playing after the last programmed track has been played. Similarly, the first programmed track begins playing if you press the **▶▶** when the last programmed track is playing or if you press the **▶▶** until you reach the end of the last programmed track.

Troubleshooting

Most difficulties in audio systems are the result of incorrect connections, or improper control settings. If you encounter problems, isolate the area of the difficulty, check the control settings, determine the cause of the fault and make the necessary changes. If you experience problems with the RCC-1055, refer to the suggestions for the following conditions:

Display Is Not Lit

The Disc, Track and Time indicators in the display should be lit whenever the power switch of the RCC-1055 is pushed in. If the display does not light, test the power outlet with another electrical device, such as a lamp. Be sure the power outlet being used is not controlled by a switch that has been turned off.

Fuse Replacement

If another electrical device works when plugged into the power outlet, but the RCC-1055 display will not light when the power switch is pushed in, it indicates that the internal power fuse may have blown. If you believe this has happened, contact your authorized Rotel dealer to get the fuse replaced.

Disc Does Not Play

If a disc does not begin playing when the Play button is pressed, open the disc tray and be sure the disc is loaded with the label side up. If a disc is properly loaded inspect the playing side of the disc for contamination or damage. If the disc is dirty, clean it as described in the Handling Compact Discs section. If a disc is damaged it should be replaced.

No Sound

Check the input selector on the amplifier to be sure it is properly set. Check the tape monitor switches to be sure they are properly set. Check other signal sources to be sure the amplifier is operating properly. Finally check the audio cables between the RCC-1055 and the amplifier to be sure they are properly connected.

Sound Skips

If the sound from the RCC-1055 skips or jumps around, the disc may be defective or dirty. If the disc is clean, try another disc. If a problem persists it could be caused by vibrations reaching the RCC-1055. Sound vibrations, especially from a subwoofer, can interfere with the laser reading a disc surface. Move the RCC-1055 to a more stable surface, or to a location farther away from the speakers.

Hum

Hum is caused by electrical interference from other devices. It is most often picked up by the audio signal cables. Use high-quality cables. Low quality cables often have inadequate shielding. Check to be sure the cables are solidly connected to both the RCC-1055 and the amplifier. Try moving the cables to a position farther away from other electrical components, especially power amplifiers which have large power transformers. Other devices that commonly cause interference are fluorescent lights and light dimmer controls.

Specifications

Frequency Response ($\pm 0.5\text{dB}$)	20-20,000 Hz
Signal to Noise Ratio	>100 dB
Total Harmonic Distortion + Noise	0.0045% @ 1kHz
Intermodulation Distortion	0.0045% @ 1kHz
Dynamic Range	>96 dB
Channel Separation	>98 dB @ 1kHz
Channel Balance	± 0.5 dB
Phase Linearity	± 0.5 degree
Speed Accuracy, Wow & Flutter	Quartz Crystal Precision
Digital to Analog Converters	18 bit equivalent, multi-level Delta-Sigma DAC with 8x oversampling digital filter and HDCD
Maximum Audio Line Output/Impedance	2 Volts/100 Ohms
Digital Output Level (coax)/Impedance	0.5 Volt, Peak to Peak/75 Ohms
Power Requirements	
USA Version	115 Volts, 60 Hz;
European Version	230 Volts, 50 Hz
Power Consumption	15 Watts
Dimensions (W x H x D)	432 x 121 x 410 mm 17 x 4 ³ / ₄ x 16 ¹ / ₈ inches
Panel Height	109 mm / 4 ⁹ / ₃₂ inches
Weight (net)	7.8 kg, 17.2 lb.

All specifications are accurate at the time of printing. Rotel reserves the right to make improvements without notice.

Précautions d'utilisation importantes

ATTENTION : Il n'y a à l'intérieur aucune pièce susceptible d'être modifiée par l'utilisateur. Adressez-vous impérativement à une personne qualifiée.

ATTENTION : Pour réduire les risques d'incendie ou d'électrocution, prenez garde à ce qu'aucun objet ou liquide ne tombe à l'intérieur de l'appareil par ses orifices de ventilation. Si l'appareil est exposé à l'humidité ou si un objet tombe à l'intérieur, couper tout de suite l'alimentation secteur de tous les appareils. Débrancher l'appareil des autres maillons, et adressez-vous immédiatement et uniquement à une personne qualifiée et agréée.

Tous les conseils de sécurité et d'installation doivent être lus avant de faire fonctionner l'appareil. Conservez soigneusement ce livret — Vous devez pouvoir le consulter à nouveau pour de futures références.

Tous les conseils de sécurité doivent être minutieusement respectés. Suivez les instructions. Respectez les procédures d'installation et de fonctionnement indiquées dans ce manuel.

L'appareil doit être nettoyé uniquement avec un chiffon sec ou un aspirateur.

L'appareil doit être placé de telle manière que sa propre ventilation puisse fonctionner, avec un espace minimum de 10 cm autour de lui. Par exemple, il ne doit pas être posé sur un fauteuil, un canapé, une couverture ou tout autre surface susceptible de boucher ses ouïes d'aération ; ou disposé dans un meuble empêchant la bonne circulation d'air autour des orifices de ventilation.

Cet appareil doit être placé loin de toute source de chaleur, tels que radiateurs, chaudières, bouches de chaleur ou d'autres appareils (y compris amplificateurs de puissance) produisant de la chaleur.

Cet appareil doit être branché sur une prise d'alimentation secteur, d'une tension et d'un type conformes à ceux qui sont indiqués sur la face arrière de l'appareil. En Europe, 230 V/50 Hz.

Brancher l'appareil uniquement grâce au cordon secteur fourni, ou à un modèle équivalent. Ne pas essayer de modifier ou changer la prise. Notamment, ne pas tenter de supprimer la prise de terre si celle-ci est présente. Ne pas utiliser de cordon-rallonge. L'appareil doit être branché sur une prise murale deux broches.

Prendre garde à ce que ce cordon d'alimentation ne soit pas pincé, écrasé ou détérioré sur tout son trajet, à ce qu'il ne soit pas mis en contact avec une source de chaleur. Vérifier soigneusement la bonne qualité des contacts, à l'arrière de l'appareil comme dans la prise murale.

Si l'appareil ne doit pas être utilisé pendant une longue période, la prise secteur sera débranchée.

L'appareil doit être immédiatement éteint, débranché puis retourné au service après-vente agréé dans les cas suivants :

- Le câble d'alimentation secteur est endommagé.
- Un objet est tombé, ou du liquide a coulé à l'intérieur de l'appareil.
- L'appareil a été exposé à la pluie.
- L'appareil ne fonctionne pas normalement.
- L'appareil est tombé, ou le coffret est endommagé.

Posez l'appareil sur une surface stable et rigide, suffisamment solide pour supporter le poids de l'appareil. Ne le placez pas, par exemple, sur un support à roulettes pouvant basculer.



Sommaire

Figure 1: Commandes et branchements	3
Figure 2: Afficheur en façade	3
Figure 3: Télécommande RR-D92	3
Figure 4: Branchement du signal analogique	4
Figure 5: Branchement du signal numérique	4
Au sujet de Rotel	15
Démarrage	15
Quelques précautions	15
Positionnement	16
Câbles	16
Manipulation des disques compacts	16
Alimentation électrique et mise en service	16
Prise d'alimentation secteur 18	16
Interrupteur de mise sous tension 1 et indicateur Power 2	16
Branchements en sortie	16
Sorties analogiques 13	17
Sortie numérique 17	17
Télécommande	17
Capteur de télécommande 4	17
Prise pour télécommande externe 16	17
Piles de la télécommande	17
Entrée commutation "trigger" 12 V 15	17
Prise ordinateur I/O 14	17
Chargement des disques	18
Tiroir des disques 8 et touches d'ouverture/fermeture « Open/Close » 6 19	18
Touches Disc Skip 7 24	18
Sélectionner un disque en lecture	18
Touches Disc 1-5 27	18
Lecture des disques	18
Touches de lecture 9 21	18
Toucher Pause 11 22	18
Toucher Stop 10 26	18
Touches d'accès par plage « Track Skip » 12 20	18
Touches de sélection de plage « Track Selection » 28	19
Touches de recherche « Search » 23	19
Au sujet du HDCD® 3	19
Afficheur en façade 5	19
Toucher des durées 25	19
Mode Plage/Temps restant « Each/Remain Mode »	19
Mode Total/Temps restant « Total/Remain Mode »	20
Toucher de répétition de lecture 29	20
Répétition d'une plage « Repeat 1 Track »	20
Répétition d'un disque « Repeat 1 Disc »	20
Répétition de tous les disques « Repeat All Discs »	20
Toucher de lecture en mode aléatoire 30	20
Balayage des introductions de plages 31	21
Programmation de la lecture	21
Toucher de programmation « Program » 32	21
Programmation des plages	21
Programmation alors qu'un disque n'est pas en lecture	22
Ajouter des morceaux à un programme existant	22
Toucher de vérification 33	22
Lire les plages programmées	22
Problèmes de fonctionnement	23
L'afficheur ne s'allume pas	23
Remplacement du fusible	23
Refus de lecture d'un disque	23
Pas de son	23
Sauts de son	23
Bruit et ronflement	23
Spécifications	23

Au sujet de Rotel

C'est une famille de passionnés de musique qui a fondé Rotel, il y a maintenant plus de quarante ans. Pendant toutes ces années, leur passion ne s'est jamais éteinte et tous les membres de la famille se sont toujours battus pour fabriquer des appareils présentant un exceptionnel rapport musicalité-prix, suivis en cela par tous les employés.

Les ingénieurs travaillent toujours en équipe réduite, écoutant et peaufinant soigneusement chaque appareil pour qu'il corresponde parfaitement à leurs standards musicaux. Ils sont libres de choisir n'importe quels composants dans le monde entier, uniquement en fonction de leur qualité. C'est ainsi que vous trouvez dans les appareils Rotel des condensateurs britanniques ou allemands, des transistors japonais ou américains, tandis que tous les transformateurs toriques sont directement fabriqués dans une usine Rotel.

L'excellente réputation musicale des appareils Rotel a été saluée par la plupart des magazines spécialisés ; ils ont reçu d'innombrables récompenses, et sont choisis par de nombreux journalistes critiques du monde entier, parmi les plus célèbres, ceux qui écoutent de la musique quotidiennement. Leurs commentaires restent immuables : Rotel propose toujours des maillons à la fois musicaux, fiables et abordables.

Mais plus que tout, Rotel vous remercie pour l'achat de cet appareil, et souhaite qu'il vous apporte de nombreuses heures de plaisir musical.

Démarrage

Nous vous remercions pour l'acquisition de ce changeur multidisques CD Rotel RCC-1055. En tant que maillon d'un système haute-fidélité de très haute qualité, il vous apportera des années de plaisir musical.

Le RCC-1055 est un changeur multidisques CD complet, de très hautes performances. Il représente le choix idéal pour ceux qui veulent bénéficier des avantages d'un lecteur-changeur de CD sans pour autant sacrifier la qualité sonore. Il intègre un filtre numérique à suréchantillonnage 8 fois, ainsi que le circuit spécifique HDCD.

La facilité d'utilisation a été un de nos soucis principaux : vous pouvez changer n'importe lequel des quatre disques en attente pendant la lecture du cinquième. Télécommande totale, programmation jusqu'à 32 morceaux différents, et balayage des débuts de chaque plage sont prévus.

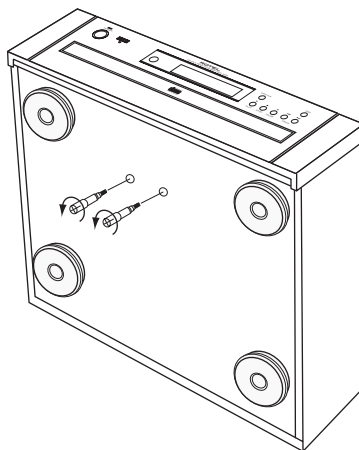
Des composants de très haute qualité, comme des résistances à film métallique et des condensateurs au polypropylène ou polystyrène sont utilisés sur tout le trajet du signal. Tous ces aspects ont été soigneusement examinés dans un seul but : le respect de la musique.

L'installation du RCC-1055 est aussi simple que son utilisation. Si vous êtes déjà habitué à une autre installation hi-fi, vous ne rencontrerez aucun problème. Il suffit de brancher les maillons complémentaires et d'écouter !

Quelques précautions

Veuillez lire très soigneusement ce manuel d'utilisation. Il vous indique tout ce qu'il faut savoir pour intégrer parfaitement ce changeur multidisques CD dans votre chaîne, et comment en tirer les performances optimales. Si vous vous posez ensuite encore des questions, veuillez contacter votre revendeur agréé Rotel, qui se fera un plaisir d'y répondre.

NOTE : *Sous l'appareil se trouvent deux vis de blocage de la mécanique de lecture, pendant le transport. Ces deux vis sont munies d'oreilles en plastique rouge, qui leur permettent d'être identifiées et dévissées facilement. Posez doucement le RCC-1055 sur le côté, et dévissez ces deux vis dans le sens inverse des aiguilles d'une montre. Tant que les deux vis ne sont pas ôtées, le tiroir ne peut pas s'ouvrir.*



Si vous avez oublié d'enlever ces deux vis avant la mise en service, éteignez le RCC-1055, débranchez sa prise d'alimentation murale et procédez comme indiqué précédemment.

Conservez soigneusement les deux vis en lieu sûr. Vous devrez les remettre en place si vous désirez transporter le RCC-1055. Avant tout déplacement de l'appareil, ôtez tous les disques présents dans le tiroir, fermez celui-ci. Toujours attendre que l'afficheur indique « 0 00 00 :0 » avant d'éteindre l'appareil. Débranchez la prise secteur, reposez doucement le RCC-1055 sur le côté, et revissez les deux vis.

Conservez le carton d'emballage et tous ses composants. Il constitue le meilleur moyen pour transporter l'appareil dans le futur, sans risque de détérioration.

Le RCC-1055 est conçu pour lire les CD audio repérés par le logo ci-contre d'autres types de disques ne doivent pas être utilisés.



Avant de déplacer le RCC-1055, toujours enlever tous les disques présents dans son tiroir, pour éviter toute détérioration possible de ces derniers.

Toujours laisser le tiroir fermé, sauf pendant les étapes de chargement et déchargement des disques. Cela évite l'introduction de poussière, pouvant ensuite nuire à la qualité de la lecture.

Conservez la facture d'achat et renvoyez le bon d'enregistrement fourni avec l'appareil. Vous avez ainsi la preuve de la date d'achat, qui vous sera utile dans le cas où il serait nécessaire de faire jouer la garantie.

HDCD® et le nom **HDCD**®, **High Definition Compatible Digital**® et **Pacific Microsonics**™ sont des marques déposées ou la marque de **Pacific Microsonics, Inc.**, pour les États-Unis comme le monde entier. Le système **HDCD** est fabriqué sous licence de **Pacific Microsonics, Inc.** Ce système est couvert par les brevets suivants : 5,479,168, 5,638,074, 5,640,161, 5,808,574, 5,838,274, 5,854,600, 5,864,311, 5,872,531 aux États-Unis, et 669 114 en Australie. Autres brevets en cours.

Positionnement

Comme tous les appareils traitant des signaux de faible tension et intensité, le RCC-1055 est relativement sensible à son environnement proche. Évitez de le poser sur l'amplificateur de puissance, ce qui pourrait générer une sensibilité aux interférences émises par ce dernier. Ne l'exposez pas aux rayons directs du soleil. Évitez de l'utiliser à une température supérieure à 35 °C, ou inférieure à 5 °C. Si l'appareil est rapidement déplacé d'un environnement très froid vers un environnement normalement chauffé, de la condensation peut se former sur sa lentille optique. Si cela se produit, attendez au moins une trentaine de minutes avant de commencer la lecture.

Nous vous recommandons d'installer le RCC-1055 dans un meuble spécialement destiné aux appareils hi-fi. De tels meubles adaptés réduisent ou suppriment également les vibrations, ce qui améliore la qualité sonore de tous les maillons de la chaîne. Pour de plus amples renseignements sur ce type de meuble et sur l'installation correcte des divers éléments de la chaîne haute-fidélité, veuillez-vous adresser à votre revendeur agréé Rotel.

Câbles

Pendant l'installation, prenez un soin particulier aux trajets respectifs des câbles d'alimentation secteur, câbles de modulation analogique et câbles de signal numérique, afin d'éviter toute interférence entre eux. N'utilisez que des câbles de haute qualité, soigneusement blindés afin d'éviter toute dégradation du signal entre les maillons. Votre revendeur agréé Rotel est en mesure de vous apporter toute l'information nécessaire concernant le choix de câbles de liaison de qualité.

Manipulation des disques compacts

Manipulez les disques CD avec précaution. Tenez les uniquement par leur tranche, en évitant de toucher la surface gravée.

Les traces de doigts et la poussière peuvent être délicatement supprimées de la surface gravée (côté brillant) en utilisant un chiffon très doux.



Procédez par mouvements successifs, toujours en ligne droite, du centre vers le bord du disque.

N'utilisez jamais de produit chimique, y compris ceux prévus pour le nettoyage des disques vinyle, les produits antistatiques, tout aérosol, et encore moins les liquides à base de benzène, diluant, etc. Ces produits endommageront définitivement le Compact Disc.

Conservez les disques CD dans leur boîtier de protection, afin de les protéger de la poussière et des rayures. Ne jamais les exposer à la lumière directe du soleil, à une trop grande humidité ou à des températures trop élevées pendant de longues périodes.

Alimentation électrique et mise en service

Prise d'alimentation secteur 18

Le changeur multidisques CD RCC-1055 est configuré en usine, sa tension correcte étant indiquée sur sa face arrière (115 ou 230 volts, 50 ou 60 Hz). Ne pas respecter cette tension entraîne la destruction de l'appareil et annule la garantie.

NOTE : si vous devez déménager dans un autre pays, il est possible de modifier la tension d'alimentation de votre appareil. Cette modification est exclusivement réalisée en usine : demandez conseil à un revendeur agréé Rotel. Il n'y a pas de pièces susceptibles d'être modifiées ou de commandes à l'intérieur du coffret. Ne pas enlever son capot : vous risqueriez l'électrocution. Cela peut également endommager les circuits internes, et annule la garantie.

Le RCC-1055 doit être branché dans une prise murale deux broches. Nous vous déconseillons d'utiliser un câble rallonge.

Avant le branchement, vérifiez que le bouton de mise sous tension en face avant est bien en position « Out »

Si vous quittez votre domicile pendant une longue période (un mois ou plus), débranchez la prise d'alimentation secteur (de même que celles des autres maillons audio et vidéo).

Interrupteur de mise sous tension 1 et indicateur Power 2

L'interrupteur de mise sous tension se trouve à gauche de la face avant. Lorsque l'appareil est effectivement sous tension, la diode Power s'allume. Une seconde pression sur cet interrupteur éteint l'appareil.

NOTE : si vous utilisez une prise de renvoi secteur (en face arrière d'un autre appareil) pour alimenter le RCC-1055, vous devez laisser le bouton de mise sous tension de ce dernier toujours sur « On ». la mise sous tension effective se fera alors par l'appareil qui alimente le RCC-1055.

Lors de la mise sous tension, c'est le disque placé en position 1 dans le tiroir qui est automatiquement sélectionné. Les afficheurs Disc et Track (plage) s'allument, indiquant « Disc1/Track1 ». L'indicateur de temps « Time Indicator » s'illumine également.

Branchements en sortie

Le RCC-1055 vous laisse le choix entre une sortie analogique stéréophonique traditionnelle, et une sortie numérique. La sortie analogique utilise un convertisseur numérique/analogique intégré dans le RCC-1055, permettant le branchement direct sur n'importe quel préamplificateur ou amplificateur intégré. La sortie numérique délivre un signal numérique non traité, destiné à être utilisé avec un convertisseur numérique/analogique ou un processeur externe.

NOTE : pour éviter tout bruit parasite susceptible d'endommager les enceintes acoustiques, toujours éteindre le système avant d'effectuer des branchements sur celui-ci.

Sorties analogiques 13

[Voir la figure 5 pour la position des différentes prises]

Une paire de prises Cinch-RCA asymétriques traditionnelles fournit le signal stéréo pour les entrées correspondantes repérées « CD » d'un préamplificateur, amplificateur intégré ou ampli-tuner. Choisissez des câbles de liaison de la meilleure qualité possible. Respectez bien le branchement : canal gauche sur canal gauche (couleur noire ou blanche), et canal droit sur canal droit (couleur rouge).

Sortie numérique 17

[Voir la figure 6 pour la position des différentes prises]

Si vous désirez utiliser le RCC-1055 uniquement comme une platine de transport et de lecture de l'information numérique gravée sur les CD, vous avez besoin d'une sortie numérique, n'utilisant pas le convertisseur numérique-analogique intégré dans l'appareil. Ce signal est donc fourni en face arrière de l'appareil. Il est au standard coaxial, nécessitant un câble de liaison 75 ohms pour la liaison avec l'entrée numérique d'un convertisseur externe.

Télécommande

Le RCC-1055 est livré d'origine avec la télécommande RR-D92. La face avant de celle-ci doit être pointée vers la façade du RCC-1055 pour la transmission correcte des informations de commande. Les fonctions de base de la lecture sont regroupées sur les touches placées en haut de la télécommande RR-D92. Un couvercle pivotant révèle les fonctions secondaires, accessibles dans la partie basse de la télécommande, telles que la programmation, l'accès direct à un disque, le balayage des morceaux, etc.

La RR-D92 reproduit toutes les fonctions également accessibles en face avant du changeur RCC-1055. C'est d'ailleurs pourquoi, dans ce manuel, vous trouvez parfois deux chiffres se référant à la même commande, un pour la face avant, l'autre pour la télécommande. Par exemple, pour lire un disque, vous pouvez presser la touche 9 de la face avant ou la touche 20 sur la télécommande. Certaines fonctions ne sont toutefois accessibles qu'à partir de la télécommande RR-D92.

Capteur de télécommande 4

Le capteur de télécommande reçoit toutes les informations infrarouges envoyées par la télécommande. Il ne doit pas être obstrué, sous peine d'un mauvais fonctionnement de la télécommande. Le bon fonctionnement de la télécommande peut également être affecté par une lumière trop vive (rayons du soleil atteignant directement le capteur), ou certaines lampes artificielles (lampes halogènes). En cas de fonctionnement erratique, vérifiez également que les piles de la télécommande ne sont pas épuisées.

Prise pour télécommande externe 16

Cette prise est prévue pour être utilisée avec des systèmes de télécommande externes tels que les modèles Xantech™ de Video Link™, systèmes ajoutant d'autres possibilités de télécommande infrarouge, et permettant aussi d'utiliser des récepteurs externes utiles si le RCC-1055 est encastré dans un meuble aveugle. (Systèmes disponibles en option).

Video Link et Xantech sont des marques déposées de Xantech Corporation.

Piles de la télécommande

Les piles fournies doivent être installées avant d'utiliser la télécommande. Faites glisser le couvercle de la seconde partie de la télécommande jusqu'à son point d'arrêt. Puis appuyez sur le symbole triangulaire gravé pour continuer le retrait de ce couvercle et faire apparaître le logement des piles. Disposez celles-ci comme indiqué dans le logement (respectez la polarité +/-) et refermez le couvercle. Lorsque les piles commencent à être usées, le fonctionnement de la télécommande devient erratique.

NOTE : *enlevez les piles si vous n'utilisez pas la télécommande pendant une longue période de temps. Ne laissez pas des piles usées dans la télécommande : elles peuvent dégager des produits chimiques détruisant définitivement la télécommande.*

Entrée commutation " trigger " 12 V 15

Le RCC-1055 peut être allumé via un signal de commutation " trigger " de 12 volts. Cette entrée accepte en fait n'importe quelle tension continue ou alternative comprise entre 3 et 30 volts. Lorsqu'un câble est branché sur l'entrée " trigger " et qu'une tension de cette valeur est réellement présente, le RCC-1055 s'allume. Lorsque la tension disparaît, l'appareil se remet automatiquement en mode de veille Standby. L'indicateur de la face avant reste allumé, mais l'afficheur s'éteint et l'appareil n'est plus actif.

NOTE : *Lorsque vous utilisez cette possibilité d'allumage " trigger ", toujours laisser la touche de mise sous tension POWER enclenchée (position ON).*

Prise ordinateur I/O 14

Le RCC-1055 peut être commandé par un ordinateur PC équipé d'un logiciel de contrôle audio tel que ceux développés par un certain nombre de sociétés spécialisées. Ce pilotage fonctionne à partir des codes infrarouge normalement envoyés par la télécommande RR-D92, ici envoyés via un câble entre ordinateur et RCC-1055.

La prise de la face arrière repérée COMPUTER I/O fournit les liaisons électriques nécessaires pour ce contrôle. Elle accepte les prises modulaires standardisées de type RJ-45 8 broches, telles que celles habituellement utilisées dans les liaisons Ethernet UTP 10-BaseT.

Pour de plus amples informations sur cette fonction, et les éléments mis en œuvre, ainsi que les codes de commande du RCC-1055, contactez votre revendeur agréé Rotel.

Chargement des disques

Tiroir des disques **8** et touches d'ouverture/fermeture « Open/Close » **6** **19**

Pressez sur la touche repérée « Open/Close » sur la face avant ou la télécommande pour ouvrir le tiroir de chargement des disques. Placez les disques dans les logements numérotés du tiroir (appelé Disc Carousel), étiquettes vers le haut. Vérifiez que tous les disques sont bien centrés dans le Disc Carousel. Les deux diamètres 12 et 8 cm sont utilisables. Lorsque le tiroir Disc Carousel est ouvert, seuls les trois logements frontaux sont accessibles. Pour charger les disques dans les logements restants, appuyez sur la touche repérée Disc Skip **7** **24** pour faire tourner le carrousel. Appuyez de nouveau sur la touche Open/Close pour fermer le tiroir, lorsque tous les disques ont été chargés.

NOTE : Ne tentez pas de fermer le tiroir avec la main : vous risqueriez de l'endommager. Utilisez toujours la touche Open/Close. Ne tentez pas non plus de tourner le Disc Carousel à la main, et attendez qu'il cesse de tourner avant de procéder au chargement des disques ou de tenter de refermer le tiroir.

Vous pouvez également procéder au chargement de disques pendant qu'un d'entre eux est en lecture. Appuyez sur la touche Open/Close pour ouvrir le tiroir. Trois des quatre logements sont accessibles pour le changement des disques correspondants. Pour accéder au quatrième disque, appuyez sur la touche Disc Skip. Une fois les changements effectués, appuyez à nouveau sur la touche Open/Close pour refermer le tiroir.

Touches Disc Skip **7** **24**

Les touches repérées « Disc Skip » ont deux fonctions. La première consiste à faire tourner le carrousel pour le chargement des disques, comme nous venons de le décrire.

NOTE : Ne jamais toucher le tiroir et le carrousel avec les mains. Toujours utiliser la touche Disc Skip.

L'autre fonction de la touche « Disc Skip » concerne la sélection d'un disque pour sa lecture. Le numéro de disque immédiatement supérieur est sélectionné à chaque pression sur la touche Disc Skip. Dans ce cas, au moment de la pression sur la touche Disc Skip, le RCC-1055 stoppe la lecture du disque en cours (par exemple le 2) et démarre la lecture sur la première plage du disque suivant (ici, le 3). Si on lisait le disque 5, la lecture reprend sur le disque 1.

Sélectionner un disque en lecture

En plus des touches décrites ci-dessus, la télécommande possède d'autres touches utilisables pour la sélection des disques en lecture.

Touches Disc 1-5 **27**

(télécommande uniquement)

Appuyez sur la touche correspondant au numéro du disque que vous désirez sélectionner. Le fait d'appuyer sur une de ces cinq touches numérotées de 1 à 5 permet de sélectionner le disque à lire. Si une de ces touches est pressée alors qu'un disque était déjà en lecture, le RCC-1055 stoppe la lecture de ce disque, et redémarre la lecture sur la plage 1 du disque sélectionné par la touche 1-5.

Lecture des disques

Touches de lecture **9** **21**

Pressez la touche repérée « Play » pour lire le disque dont le numéro est présent dans l'afficheur. la lecture commence sur la plage 1, à moins qu'une autre plage ait été spécifiquement sélectionnée avant d'appuyer sur la touche Play.

Si aucune fonction de lecture en répétition n'a été préalablement choisie :

- Lorsque la dernière plage du disque (1 à 4) a été lue, la lecture continue sur la plage 1 du disque suivant.
- À la fin de la dernière plage du disque 5, la lecture s'arrête.

Voir le chapitre concernant la lecture en mode répétition pour de plus amples informations.

Touche Pause **11** **22**

Une pression sur cette touche stoppe temporairement la lecture du disque. Une seconde pression redémarre la lecture, exactement au même endroit où elle venait d'être arrêtée.

Touche Stop **10** **26**

Appuyez sur cette touche Stop pour arrêter complètement la lecture d'un disque. Le même disque reste ensuite sélectionné, mais le redémarrage en lecture se fera à partir de la plage 1.

Touches d'accès par plage « Track Skip » **12** **20**

Lorsque le disque n'est pas en lecture :

- Une pression sur la touche **▶▶▶** sélectionne la plage suivante sur le disque. Une pression maintenue sur la touche **▶▶▶** permet de passer aux plages suivantes, les unes après les autres.
- Une pression sur la touche **◀◀◀** permet de sélectionner la plage précédente sur le disque. Un maintien de la pression sur la touche **◀◀◀** fait défiler les plages dans un ordre inverse, vers la première plage.

Lorsque le disque est en lecture :

- Une pression sur la touche **▶▶▶** permet de sauter le reste de la plage en lecture et d'accéder directement au début de la plage suivante. Une pression maintenue sur la touche **▶▶▶** permet de passer aux plages suivantes, les unes après les autres.
- Une pression sur la touche **◀◀◀** permet de revenir au début de la plage en cours de lecture. Un maintien de la pression sur la touche **◀◀◀** fait défiler les plages dans un ordre inverse, vers la première plage.

Touches de sélection de plage « Track Selection » 28

(télécommande uniquement)

Pour choisir un morceau donné sur un disque, appuyez sur une des touches chiffrées repérées « Track Selection ». Si le numéro de plage désiré est supérieur à 10, appuyez d'abord sur la touche « >10 ». Par exemple, pour sélectionner la plage 17, appuyez successivement sur « >10 » puis « 7 ». Note : Lorsque le RCC-1055 est en mode de lecture programmé (Programmed Play), ces touches Track Selection sont utilisées pour ajouter d'autres plages à celles déjà comprises dans le programme. Voir le chapitre « Programmation de la lecture » pour de plus amples informations.

Touches de recherche « Search » 23

télécommande uniquement

Appuyez et maintenez la pression sur les touches ►► et ◀◀ pour rechercher rapidement un passage d'un disque. Pendant les cinq premières secondes de la pression sur la touche, la vitesse de lecture rapide est d'environ quatre fois la vitesse de lecture normale. Après trois secondes, la vitesse de recherche passe à vingt fois la vitesse normale. Le volume sonore est volontairement réduit pendant toute la recherche. Cette fonction de recherche peut être utilisée alors que la lecture est mise en pause, mais aucun son ne se fait alors entendre. La recherche ne peut se faire que sur toute la durée d'un disque, sans passer à un autre disque, précédent ou suivant.

Au sujet du HDCD® 3

Les disques de type HDCD sont codés avec un flux numérique haute densité. Durant la lecture, ce flux numérique haute densité est décodé pour redevenir un signal numérique conventionnel. Ce principe de gravure haute densité réduit énormément les risques d'erreurs généralement constatées pendant les étapes de conversion tant analogique/numérique que numérique/analogique. Le circuit HDCD est automatiquement activé. Le voyant HDCD 3 s'allume dès qu'un disque codé HDCD est détecté.

Afficheur en façade 5

Les indicateurs de disques « Disc Indicators » **A** montrent la présence effective de disques – et leur position – dans le carrousel.

L'indicateur de lecture « Play Indicator » **B** s'allume lorsqu'un disque est effectivement en lecture.

L'indicateur Pause **C** s'allume lorsque la lecture d'un disque a été temporairement stoppée.

L'indicateur de sélection de disque « Disc Selection Indicator » **D** montre le numéro du disque couramment sélectionné. Si l'on a choisi l'option d'affichage du temps de lecture restant sur ce disque, cet indicateur affiche « – ». Voir le chapitre « Touche des durées ».

L'indicateur de plage « Track Indicator » **E** montre quelle plage est sélectionnée, le nombre total de plages sur le disque, ou le nombre de plages qu'il reste à lire sur le disque en lecture. Voir le chapitre « Touche des durées ».

L'un des indicateurs des modes de lecture en répétition **F** s'allume si le mode de lecture en répétition correspondant est sélectionné. Voir plus loin les paragraphes correspondants aux modes de répétition.

L'indicateur de lecture en mode aléatoire « Random Play Indicator » **G** s'allume si le mode de lecture aléatoire a été choisi. Voir le chapitre « Lecture en mode aléatoire ».

L'indicateur de lecture programmée « Program Play indicator » **H** s'allume lorsque la fonction de programmation de plages a été activée. Voir le chapitre consacré à la programmation.

L'indicateur de balayage des débuts de plages « Intro Scan Indicator » **I** s'allume lorsque la fonction correspondante a été activée. Voir le chapitre consacré au balayage des introductions de plages.

L'indicateur de temps restant « Remaining Time Indicator » **J** s'allume lorsqu'une des fonctions d'affichage du temps restant a été activée. Voir le chapitre consacré à l'affichage des durées de lecture.

L'affichage du temps « Time Display » **K** montre la durée totale de lecture du disque sélectionné, la durée totale de la portion de plage déjà lue, ou le temps de lecture restant sur la plage en lecture.

L'afficheur des plages en lecture « Track Calendar Display » **L** montre le nombre total de plages sur le disque en lecture, et le numéro de plage couramment en lecture. Si le disque choisi possède plus de seize plages, l'indication « 3 » **M** s'allume aussi.

Dès qu'un disque est sélectionné, cet afficheur indique le nombre total de plages sur le disque. Le numéro de la plage en cours de lecture clignote. Une fois que la plage est lue, son numéro s'éteint. Si le disque choisi possède plus de seize plages, après la lecture de la seizième plage, l'indication « 3 » **M** clignote. Le « Track Indicator » indique suivant l'option choisie le numéro de plage en lecture ou le nombre de plages restant à lire.

Lorsqu'une programmation de lecture a été effectuée, seul(s) le(s) numéro(s) de la (des) plage(s) programmée(s) sont allumés. Le numéro de la plage couramment en lecture clignote, et il s'éteint à la fin du morceau correspondant. Voir le chapitre consacré à la programmation.

Touche des durées 25

(télécommande uniquement)

Lorsqu'un disque est sélectionné, mais n'est pas en lecture, l'afficheur des durées « Time display » indique la durée totale du disque et le nombre de plages qu'il comporte. Lorsqu'un disque est en lecture, ce même afficheur indique le numéro de la plage lue et le temps déjà lu. Une pression sur la touche repérée « Time/Track Display » permet de modifier les indications de durée affichées.

Mode Plage/Temps restant « Each/Remain Mode »

Pressez une fois la touche repérée Time pour sélectionner le mode « Plage/temps restant ». L'indicateur « Remaining Time » (temps restant) s'allume. L'indicateur de plage donne le numéro de la plage en lecture. L'indicateur de durée affiche le temps restant en lecture pour cette plage.

Mode Total/Temps restant « Total/Remain Mode »

Pressez de nouveau la touche repérée Time pour sélectionner le mode « Total/temps restant ». L'indicateur « Remaining Time » (temps restant) reste allumé. L'indicateur de plage donne les numéros des plages restant à lire. L'afficheur des disques « Disc display » n'indique plus le numéro du disque en lecture, mais affiche simplement : « - ». L'indicateur de durée affiche le temps restant en lecture pour le disque.

Une pression sur la touche Time alors que le mode « Total/temps restant » est sélectionné fait revenir l'affichage de la plage en lecture et de la durée à leur mode normal d'affichage. Ce type normal d'affichage revient également automatiquement lorsque la lecture d'un disque est arrêtée, puis redémarrée.

Touche de répétition de lecture **29**

(télécommande uniquement)

Normalement, les disques 1 à 5 sont lus successivement dans cet ordre, puis la lecture s'arrête à la fin du cinquième disque. Une première pression sur la touche repérée « Repeat Play » permet de choisir le mode de lecture en répétition de plage 1. Une seconde pression sélectionne le mode de lecture en répétition de disque 1. Une troisième pression sélectionne le mode de répétition de tout un disque. Enfin, une quatrième pression permet de revenir à un mode de lecture normal, sans répétition aucune. Ces fonctions de répétition peuvent être activées ou désactivées à n'importe quel moment, même lorsqu'un disque est en lecture.

Répétition d'une plage « Repeat 1 Track »

Lorsque cette fonction de répétition est sélectionnée, les indicateurs « Repeat » et « 1 » s'allument sur l'afficheur. Si ce mode de répétition est sélectionné alors qu'il n'y a pas de disque en lecture, c'est la première plage sélectionnée lors de la prochaine lecture qui sera répétée. Si ce mode de répétition est sélectionné alors qu'une plage est déjà en lecture, c'est cette plage qui sera répétée.

Les touches de changement de plages Track Skip fonctionnent normalement lorsqu'une fonction de répétition est sélectionnée. C'est la plage en lecture qui est répétée, quelle que soit celle qu'on choisisse. Les boutons de recherche « Search » ne modifient pas non plus le mode de répétition, si ce n'est que c'est toujours la dernière plage choisie qui bénéficie de la répétition.

Si la lecture est en mode programmée, la répétition de plage est inactive et ne peut être activée.

Répétition d'un disque « Repeat 1 Disc »

Lorsque cette fonction de répétition est sélectionnée, les indicateurs « Repeat », « 1 » et « Disc » s'allument sur l'afficheur. Si ce mode de répétition est sélectionné alors qu'il n'y a pas de disque en lecture, c'est le premier disque sélectionné, démarrant sur sa plage 1, lors de la prochaine lecture qui sera répété. Si ce mode de répétition est sélectionné alors qu'un disque est déjà en lecture, c'est ce disque qui sera répété, après la fin de lecture de sa dernière plage.

Les touches de changement de plages Track Skip fonctionnent normalement lorsqu'une fonction de répétition est sélectionnée. On peut changer de plage dans le disque en répétition, mais c'est toujours ce disque qui sera répété. Les boutons de recherche « Search » ne modifient pas non plus le mode de répétition.

Si la lecture est en mode programmée, la répétition de disque est inactive et ne peut être activée.

Répétition de tous les disques « Repeat All Discs »

Lorsque cette fonction de répétition est sélectionnée, l'indicateur « Repeat All Discs » s'allume sur l'afficheur. Toutes les plages de tous les disques sont lues normalement, les unes derrière les autres. Mais, à la fin de la lecture de la dernière plage du disque 5, la lecture reprend automatiquement sur la plage 1 du disque 1. Et ce indéfiniment jusqu'à ce que la fonction de répétition « All Discs » soit désactivée.

Les fonctions de passage d'un disque à un autre (Disc Skip) et de recherche (Disc Search) fonctionnent normalement.

Si la lecture est en mode programmée, la répétition de plage est inactive et ne peut être activée.

Les fonctions de changement et de recherche par plages (Track Skip et Search) fonctionnent également normalement.

Touche de lecture en mode aléatoire **30**

(télécommande uniquement)

La lecture en mode aléatoire « Random Play » choisit de manière aléatoire l'ordre de lecture des différentes plages. Une pression sur la touche repérée « random » active cette fonction. Une seconde pression l'annule. Lorsqu'elle est activée, l'indicateur **G** s'allume dans l'afficheur.

Si le mode de lecture aléatoire est sélectionné alors qu'aucun disque n'est en lecture, une plage est choisie au hasard pour commencer la lecture. Si un disque était déjà en lecture, celle-ci cesse et passe sur une autre plage choisie au hasard par l'appareil.

La lecture en mode aléatoire peut ne concerner que les plages d'un seul disque. Lorsqu'aucun disque n'est en lecture, pressez la touche « Random Play » **30**, puis sélectionnez le numéro du disque désiré avec les touches **27**. La lecture commencera sur une plage choisie au hasard, mais sur le disque sélectionné.

Si la touche de changement de plage ►► est pressée avec un disque en lecture et la fonction de lecture aléatoire activée, une autre plage est immédiatement choisie au hasard. Si la touche de changement de plage ◀◀ est pressée avec un disque en lecture et la fonction de lecture aléatoire activée, la lecture recommence au début de la plage en cours.

Le bouton de recherche ►► fonctionne normalement lorsque la lecture en mode aléatoire est activée. Arrivé à la fin de la plage, une autre plage est choisie au hasard. La touche de recherche ◀◀ ne vous permet de rechercher que jusqu'au début de la plage couramment en lecture.

La lecture en mode aléatoire peut être utilisée conjointement avec une lecture programmée. Simplement l'ordre aléatoire de lecture des plages ne concernera que les plages réellement programmées. Note : pour utiliser simultanément ces deux fonctions, il est impératif que la programmation précède la pression sur la touche « Random ». Aucune programmation ne peut en effet être effectuée avec la lecture en mode aléatoire déjà activée.

Balayage des introductions de plages **31**

(télécommande uniquement)

Cette fonction de balayage des introductions de chaque morceau (Intro Scan) permet de lire un court passage du début de chaque plage des disques. Une simple pression sur la touche repérée « Scan » l'active. Une seconde pression sur Scan ou sur la touche Stop la désactive. Lorsque la fonction Intro Scan est en service, l'indicateur correspondant **I** s'allume dans l'afficheur.

Si une lecture programmée n'est pas en service, les 10 premières secondes de chaque morceau sont entendus successivement disque après disque. Ce balayage se termine après l'écoute des 10 premières secondes de la dernière plage du disque 5. Si une programmation a été effectuée, seules les 10 premières secondes de chaque plage programmée sont entendues.

Si le balayage est activé alors qu'aucun disque n'est en lecture, il commence sur la plage couramment sélectionnée, puis continue sur les suivantes. Si le balayage Intro Scan est activé alors que les dix premières secondes d'une plage sont déjà en lecture, la portion restante des 10 secondes d'introduction de cette plage continue à être lue avant de passer à la plage suivante.

Cette fonction d'écoute des introductions de chaque morceau est interactive avec la fonction de lecture en ordre aléatoire (Random Play), celle de programmation de lecture (Programmed Play) et celles de lecture en mode répétition (Repeat Play). Mais de telles combinaisons de fonctions sont rarement utilisées, du fait de la complexité d'analyse ou de l'inutilité du résultat ! Par exemple, si on active simultanément les fonctions de balayage et de répétition de lecture de tous les disques, on obtient la lecture répétée indéfiniment des dix premières secondes de chaque disque ; si on active simultanément les fonctions de balayage et de lecture aléatoire, on obtient la lecture répétée indéfiniment des plages choisies selon un ordre parfaitement aléatoire. Et ainsi de suite, suivant les fonctions activées.

Programmation de la lecture

On peut sélectionner jusqu'à 32 plages différentes, choisies sur n'importe quel disque chargé, pour programmer leur lecture selon un ordre particulier. Une fois ces plages sélectionnées, elles sont en effet lues dans l'ordre de leur programmation. Toutes les fonctions de programmation et de lecture de programme ne sont accessibles qu'à partir de la télécommande.

Touche de programmation « Program » **32**

(télécommande uniquement)

Cette touche repérée « Program » sert à activer ou désactiver la fonction de création et de lecture d'un programme personnalisé. Lorsque cette fonction est activée, l'indicateur correspondant **H** s'allume dans l'afficheur.

Une fois qu'un groupe de morceaux a été programmé, seuls ces morceaux peuvent être lus à moins que l'on désactive la fonction de programmation. Une pression sur la touche « Program » coupe la fonction de programmation, efface le programme déjà créé et retourne au mode de lecture normal. Les plages programmées sont également effacées de la mémoire lorsque le tiroir de chargement est ouvert ou lorsque l'on éteint le RCC-1055.

Programmation des plages

Programmation alors qu'un disque est déjà en lecture

Appuyez sur la touche Program **32** et l'indicateur correspondant **H** s'allume. La plage en cours de lecture au moment de la pression sur la touche Program devient automatiquement la première plage programmée. L'indicateur « Time » **K** affiche brièvement l'indication : « P-01 » pour indiquer cette mise en mémoire dans le programme. Si la seconde plage que vous désirez ensuite inclure dans votre programme se trouve sur le même disque que la plage 1, utilisez les touches Track Selection **28** pour choisir cette plage. Si la seconde plage que vous désirez ensuite inclure dans votre programme se trouve sur un autre disque que la plage 1, utilisez les touches Disc Selection **27** pour choisir d'abord ce disque. À chaque nouvelle sélection puis entrée dans le programme, les indicateurs « Track » et « Time » changent en fonction de cette nouvelle sélection. L'indicateur « Time » **K** affiche brièvement l'indication : « P-02 » pour indiquer cette nouvelle mise en mémoire dans le programme. Continuez ainsi, en sélectionnant disque et plage, jusqu'à ce que le programme désiré soit complet. Pour commencer la lecture de la programmation ainsi effectuée, pressez simplement la touche de lecture Play.

Exemple de programmation

Page 7 du disque 4 en cours de lecture...

Pressez sur

Action

Touche Program

Page 7/disque 4 devient sélection 1

Touche Track 3

Page 3/disque 4 devient sélection 2

Touche Disc 2 puis touche Track 6

Page 6/disque 2 devient sélection 3

Touche Track >10 puis 1

Page 11/disque 2 devient sélection 4

Touche Disc 5, puis touche Track 9

Page 9/disque 5 devient sélection 5

Touche Track 7

Page 7/disque 5 devient sélection 6

Touche Track 4

Page 4/disque 5 devient sélection 7

Touche Disc 1, puis touches Track >10 puis 2

Page 12/disque 1 devient sélection 8

Touche Track 10

Page 10/disque 1 devient sélection 9

Programmation alors qu'un disque n'est pas en lecture

Appuyez sur la touche Program **32** et l'indicateur correspondant **H** s'allume. Si la plage que vous désirez sélectionner se trouve sur le disque déjà sélectionné, utilisez simplement les touches Track **28** pour choisir la plage voulue. L'indicateur « Time » **K** affiche brièvement l'indication : « P-01 » pour indiquer cette mise en mémoire dans le programme. Si la seconde plage que vous désirez ensuite inclure dans votre programme se trouve sur le même disque que la plage 1, utilisez les touches Track Selection pour choisir cette plage. Si la seconde plage que vous désirez ensuite inclure dans votre programme se trouve sur un autre disque que la plage 1, utilisez d'abord les touches Disc Selection **27** pour choisir ce disque. À chaque nouvelle sélection puis entrée dans le programme, les indicateurs « Track » et « Time » changent en fonction de cette nouvelle sélection. L'indicateur « Time » **K** affiche brièvement l'indication : « P-02 » pour indiquer cette nouvelle mise en mémoire dans le programme. Continuez ainsi, en sélectionnant disque et plage, jusqu'à ce que le programme désiré soit complet. Pour commencer la lecture de la programmation ainsi effectuée, pressez simplement la touche de lecture Play.

Exemple de programmation

Disque 3 sélectionné, mais pas encore en lecture...

Pressez sur

Action

Touche Program

Le mode de programmation est activé

Touche Track 3

Page 3/disque 3 devient sélection 1

Touche Track 7

Page 7/disque 3 devient sélection 2

Touche Disc 4 puis touche Track >10 puis 4

Page 14/disque 4 devient sélection 3

Touche Disc 5 puis touche Track 9

Page 9/disque 5 devient sélection 4

Touche Track >10 puis 2

Page 12/disque 5 devient sélection 5

Touche Disc 1 puis touche Track 8

Page 8/disque 1 devient sélection 6

Touche Disc 2, puis touches Track 4

Page 4/disque 2 devient sélection 7

Touche Track 1

Page 1/disque 2 devient sélection 8

Ajouter des morceaux à un programme existant

Vous pouvez ajouter des plages à un programme déjà effectué à n'importe quel moment, même après avoir commencé la lecture de la programmation. Si la plage que vous désirez ajouter est en lecture, utilisez simplement les touches de sélection de plage Track Selection. Sinon, procédez comme précédemment, suivant les disques sur lesquelles se trouvent les plages à ajouter.

Touche de vérification **33**

Une pression sur la touche repérée « review » permet de passer en revue les plages programmées. Chaque pression sur cette touche affiche les numéros de disque et de plage mis en mémoire, les uns après les autres, dans l'ordre de la programmation (et donc de la lecture). Cette fonction peut être utilisée à n'importe quel moment. Après indication des plages programmées, l'indicateur revient au bout de quelques instants à son statut d'affichage normal.

Lire les plages programmées

Une fois qu'un groupe de plages a été programmé, appuyez sur la touche de lecture Play pour commencer la lecture de ces plages. Les plages seront lues dans l'ordre de leur programmation, jusqu'à la fin de la dernière plage. Puis la lecture s'arrêtera.

Lorsque des plages programmées sont en lecture, l'indicateur « Track Calendar » **L** n'indique que les numéros des plages mises en mémoire. Le numéro de la plage réellement en lecture clignote.

La touche pause fonctionne normalement pendant cette lecture programmée. Si vous appuyez sur la touche Stop, la lecture redémarrera ensuite à la première plage mise en mémoire.

Les touches de changement de plage « Track Skip » fonctionnent normalement pendant la lecture programmée. Appuyez sur la touche **▶▶** pour passer à la plage programmée suivante. Appuyez sur la touche **◀◀** pour revenir au début de la plage programmée en cours de lecture. Une seconde pression sur la touche **◀◀** revient à la lecture de la plage programmée précédente. On ne peut ainsi dépasser la première ou la dernière plage programmée, à moins que la fonction Répétition ait été activée.

Les touches de recherche Search fonctionnent également normalement en mode de lecture programmée. Une pression sur la touche **▶▶** permet de faire avancer la lecture, et une pression sur la touche **◀◀** de revenir en arrière dans la plage programmée en cours de lecture. Cette recherche en arrière ne peut toutefois dépasser le tout début de la plage en lecture.

La fonction de répétition de tous les disques « Repeat all discs » fonctionne lorsqu'elle est activée après programmation et démarrage de la lecture du programme. Les autres fonctions de répétition ne peuvent être activées.

Problèmes de fonctionnement

La majorité des problèmes dans une chaîne haute-fidélité provient de mauvais branchements, ou de sélecteurs ou commandes mal positionnés. En cas de difficulté, essayez de cerner le problème (quelle source, quel canal, etc.), vérifiez la position des différents interrupteurs et sélecteurs et effectuez les modifications nécessaires.

L'afficheur ne s'allume pas

Les indicateurs Disc, Track et Time doivent s'allumer lorsque le RCC-1055 est mis sous tension. Si ce n'est pas le cas, testez la prise d'alimentation secteur avec un autre appareil électrique (par exemple, une lampe de chevet). Soyez sûr que la prise utilisée n'est pas une prise commutée, c'est-à-dire active uniquement si un autre appareil est mis sous tension.

Remplacement du fusible

Si l'afficheur ne s'allume toujours pas alors que tout est par ailleurs normal, le fusible de protection interne du RCC-1055 a peut-être fondu. Veuillez dans ce cas contacter votre revendeur agréé Rotel qui se chargera de le vérifier et éventuellement de le changer.

Refus de lecture d'un disque

Si la lecture d'un disque ne démarre pas après avoir pressé la touche Play, ouvrez le tiroir et vérifiez que tous les disques sont correctement chargés, avec l'étiquette sur le dessus. Si c'est le cas, vérifiez la surface gravée du disque en cause. Vérifiez qu'elle n'est pas rayée ou sale. Si besoin est, nettoyez le disque suivant les recommandations fournies au début de ce manuel d'utilisation. Si un disque est très endommagé, il doit être remplacé.

Pas de son

Vérifiez que le sélecteur d'écoute de l'amplificateur ou préamplificateur est bien positionné sur la source CD. Vérifiez que la fonction tape Monitor n'est pas activée. Vérifiez, s'il y a lieu, que l'amplificateur de puissance est bien branché, allumé, et fonctionne correctement. Vérifiez une fois encore tous les câbles entre le RCC-1055 et l'amplificateur intégré ou le préamplificateur.

Sauts de son

Si le son provenant du RCC-1055 s'arrête par intermittence, ou fait apparaître des bruits erratiques, rapprochés et électroniques, le disque en lecture doit être rayé ou sale. Si le problème persiste avec des disques neufs, le RCC-1055 est perturbé par des vibrations externes parasites : caisson de grave trop rapproché, etc. Déplacez le RCC-1055, et posez-le sur une surface stable et rigide, le plus loin possible des haut-parleurs.

Bruit et ronflement

Les bruits parasites et ronflements sont causés par des interférences électriques émises par d'autres appareils électriques, et captées soit directement, soit par l'intermédiaire des câbles de liaison entre les appareils. Essayez d'éloigner le RCC-1055 des autres appareils électroniques, principalement les amplificateurs de puissance intégrant de gros transformateurs d'alimentation générateurs de parasites. Parmi les autres sources de parasites, les plus courantes sont les lampes d'éclairage au néon et les variateurs de lumière.

Spécifications

Réponse en fréquence (± 0.5dB)	20 - 20 000 Hz
Rapport signal/bruit	>100 dB
Distorsion harmonique totale + bruit	0.0045% @ 1kHz
Distorsion d'intermodulation	0,0045 % @ 1kHz
Gamme dynamique	> 96 dB
Séparation des canaux	> 98 dB @ 1 kHz
Balance entre les canaux	$\pm 0,5$ dB
Linéarité de phase	$\pm 0,5^\circ$
Précision de vitesse, pleurage et scintillement	Précision du cristal de quartz
Convertisseurs numérique/analogique	18 bits, Delta Sigma multi niveaux avec suréchantillonnage 8 fois et circuit HDCC
Niveau de sortie audio maximum/Impédance	2 V/100 ohms
Niveau de sortie numérique (coaxial)/Impédance	0,5 Volt, crête-à-crête/75 ohms
Alimentation	
Version USA	115 V CA 50/60 Hz (USA) ou
Version Europe	230 V CA 50/60 Hz (Europe)
Consommation maximum	15 watts
Dimensions (L x H x P)	432 x 121 x 410 mm
Hauteur de la façade (pour montage en rack)	109 mm
Poids	7,8 kg

Toutes les spécifications sont certifiées exactes au moment de l'impression. Rotel se réserve le droit d'améliorer les performances sans préavis.

Importanti Istruzioni di Sicurezza

AVVERTENZA: All'interno non ci sono parti utili per l'utente. Per riparazioni rivolgetevi a personale qualificato.

AVVERTENZA: Per ridurre il rischio d'incendio o scosse, non esporre l'unità all'umidità o acqua. Evitare la caduta di oggetti estranei all'interno del cabinet. Se l'unità è stata esposta all'umidità o un oggetto estraneo è caduto all'interno, staccare il cavo di alimentazione dalla presa di corrente. Portare l'apparecchio in un centro assistenza per i necessari controlli e riparazioni.

Leggere attentamente le istruzioni prima di collegare e mettere in funzione l'unità. Conservate questo manuale per futuri riferimenti alle istruzioni di sicurezza.

Seguire attentamente tutte le avvertenze ed istruzioni riportate nel manuale o sull'unità stessa.

Pulire l'unità con un panno asciutto o un piccolo aspirapolvere.

Mantenete circa 10 cm di spazio libero attorno all'unità. Non collocate l'apparecchio su un letto, divano, tappeto, o superficie simili che possono ostruire le aperture di ventilazione. Se l'unità è posta in un cabinet o libreria, deve esserci un'adeguata ventilazione.

Tenete l'unità lontana da caloriferi, termostati o altri fonti di calore.

L'unità deve essere collegata solamente ad una sorgente di corrente del tipo e la tensione indicate sul pannello posteriore dell'apparecchio.

Collegate l'unità alla presa di corrente soltanto con il cavo di alimentazione in dotazione o con l'esatto equivalente. Non riportare modifiche al cavo fornito. Non tentate di eliminare la massa e/o le polarizzazioni. Non usare prolunghie.

Non far passare il cavo dove potrebbe essere schiacciato, pizzicato, piegato, esposto a calore, o danneggiato in alcun modo. Prestate particolare attenzione al cavo di alimentazione all'altezza della spina e nel punto d'uscita dall'apparecchio.

Il cavo di alimentazione deve essere scollegato dalla presa se l'unità non è usata per un lungo periodo.

Disattivare immediatamente l'unità e portarla in un centro di assistenza specializzato se:

- Il cavo di alimentazione o la spina sono stati danneggiati.
- Sono caduti degli oggetti o del liquido all'interno dell'unità.
- L'unità è stata esposta alla pioggia.
- L'unità non sembra funzionare in modo corretto.
- L'unità è caduta o è rimasta danneggiata in qualche modo.

Collocate l'unità su una superficie stabile, piana ed abbastanza resistente da supportare il suo peso. Non posizionarla su un piano mobile che potrebbe ribaltarsi.



Nota

La connessione **COMPUTER I/O** dovrebbe essere effettuata soltanto da personale qualificato.

Informazioni FCC

Quest'equipaggiamento è stato testato e approvato per le condizioni imposte ai componenti elettronici appartenenti alla Classe B, in conformità con il Paragrafo 15 delle Norme FCC. Questi limiti sono stati imposti per assicurare una protezione ragionevole contro le interferenze in un'installazione residenziale. L'equipaggiamento può generare radio frequenze e, se non è installato e utilizzato seguendo le istruzioni, può causare interferenze con le comunicazioni radio o TV.

Non ci sono garanzie che le interferenze non appaiono in un particolare tipo d'installazione. Se l'equipaggiamento causa interferenze con la ricezione radio o TV, interferenze che possono essere determinate spegnendo e accendendo l'apparecchio, cercate di eliminare le interferenze, adottando una o più misure che vi presentiamo in seguito:

- Cambiate l'orientamento oppure la posizione dell'antenna (TV, radio, etc)
- Aumentate la distanza tra l'unità e il tuner TV.
- Collegate l'unità ad una presa di corrente AC di un circuito elettrico diverso.
- Rivolgetevi al vostro rivenditore oppure ad un tecnico radio/TV per ulteriore assistenza.

Avvertenza

Quest'unità è conforme al paragrafo 15 delle Norme FCC di funzionamento ed è soggetto alle seguenti condizioni: (1) Questa unità potrebbe non causare interferenze dannose e (2) questa unità deve accettare ogni interferenza ricevuta, incluse le interferenze che potrebbero causare un funzionamento errato.

Indice

Figura 1: Controlli e Collegamenti	3
Figura 2: Pannello Display	3
Figura 3: Telecomando RR-D92	3
Figura 4: Collegamento di segnale analogico	4
Figura 5: Collegamento di segnale digitale	4
Alcune Parole sulla Rotel	25
Per Iniziare	25
Alcune Precauzioni	25
Posizionamento	26
Cavi	26
Maneggiare i Compact Disc	26
Alimentazione di Corrente AC e Controlli	26
Ingresso Alimentazione AC 18	26
Tasto Power 1 e Indicatore di alimentazione 2	26
Collegamenti in Uscita	26
Uscite Analogiche 13	26
Uscita Digitale 17	27
Il Telecomando	27
Sensore Telecomando 4	27
Ingresso Telecomando Esterno 16	27
Le Batterie del Telecomando	27
Ingresso Trigger 12 Volt 15	27
Connettore Computer I/O 14	27
Caricamento dei Dischi	27
Tasti Carrello Dischi 8 e Open/Close 6 e 19	27
Tasti Disc Skip (Salta Disco) 7 e 24	28
Selezionare un Disco per la Riproduzione	28
Tasti Disc 1 - 5 27	28
La Riproduzione dei Dischi	28
Tasti Play 9 e 21	28
Tasto Pause 11 22	28
Tasto Stop 10 26	28
Tasti Salta Traccia 12 20	28
Tasti selezione Traccia 28	28
Tasti Ricerca 23	28
Alcune parole sull'HDCD® 3	28
Pannello Display 5	29
Tasto Visualizzazione Durata 25	29
Modalità Individuale/Rimanente	29
Modalità Totale/Rimanente	29
Tasto Ripetizione Play 29	29
Ripetizione 1 Traccia	29
Ripetizione 1 Disco	30
Ripetizione di Tutti i Dischi	30
Tasto Riproduzione Random 30	30
Tasto Intro Scan 31	30
Riproduzione Programmata Dischi	31
Tasto Programmazione 32	31
Programmazione Tracce	31
Aggiungere Tracce ad una Programmazione	31
Tasto Anteprima 33	31
La Riproduzione delle Tracce Programmate	32
Guida alla Soluzione dei Problemi	32
Display Non Acceso	32
Sostituzione Fusibili	32
Il Disco Non Funziona	32
Nessun Audio	32
Audio Intermittente	32
Ronzio	32
Specifiche Tecniche	33

Alcune Parole sulla Rotel

Una famiglia, la cui passione per la musica ha spinto a realizzare componenti hi-fi di elevata qualità, fondò la Rotel 40 anni fa. Attraverso gli anni, la passione è rimasta intatta e l'obiettivo di offrire prodotti eccezionali agli audiofili e amanti della musica ad un costo non elevato, è condiviso da tutti alla Rotel.

Gli ingegneri lavorano come una squadra affiatata, ascoltando e mettendo a punto ogni nuovo prodotto finché non raggiunge perfettamente i loro standard musicali. Sono liberi di scegliere i componenti in qualsiasi parte del mondo al fine di realizzare il prodotto nel miglior modo possibile. Così potrete trovare condensatori provenienti dall'Inghilterra e dalla Germania, semiconduttori dal Giappone o dagli Stati Uniti, mentre i trasformatori toroidali sono prodotti proprio dalla Rotel.

La fama di eccellenza della Rotel è stata guadagnata grazie a centinaia di ottime recensioni e riconoscimenti conferiti dai più autorevoli esperti del settore, che ascoltano la musica ogni giorno. I loro commenti confermano l'obiettivo della società - la ricerca di un apparecchio che sia musicale, affidabile e conveniente.

Vi ringraziamo per aver scelto questo prodotto, augurandovi molte ore di piacevole intrattenimento musicale.

Per Iniziare

Le ringraziamo di aver acquistato il Lettore Multi CD RCC-1055 della Rotel. Usandolo in un sistema audio di alta qualità, vi offrirà numerosi anni di intrattenimento musicale.

Il RCC-1055 è un componente di alta performance dotato di complete funzioni. Rappresenta la scelta ideale per chi desidera la convenienza di un multi CD, ma non accetta i compromessi nella qualità sonora. Il RCC-1055 è dotato di filtri digitali di sovracampionatura di alta precisione. Ed inoltre, contiene anche i circuiti HDCD.

Neanche il facile utilizzo non è stato dimenticato. Mentre un disco è in riproduzione, potrete sempre cambiare uno degli altri quattro. Può essere controllato completamente dal telecomando, ha la capacità di programmazione di ben 32 tracce, ed è prevista anche la scansione delle tracce.

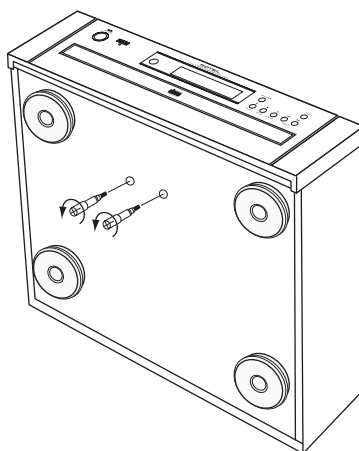
Componenti della più alta qualità, come le resistenze a pellicola metallica e i condensatori in polistirolo e polipropilene, sono utilizzati nei più importanti percorsi del segnale. Tutti gli aspetti di questo progetto sono stati esaminati accuratamente con l'unico scopo di raggiungere la più fedele riproduzione musicale.

Il RCC-1055 è facile da installare e da usare. Se avete un minimo di esperienza con altri sistemi stereo, non troverete niente di particolarmente complicato. Collegate semplicemente l'apparecchio ai componenti associati e gustate la musica.

Alcune Precauzioni

Leggere molto attentamente il presente manuale. Contiene informazioni sulle modalità di inserire il RCC-1055 nel vostro sistema oltre alle informazioni che vi aiuteranno nell'ottenere la migliore prestazione sonora possibile. Non esitate a contattare il vostro rivenditore autorizzato Rotel per qualsiasi quesito potreste avere. Ed inoltre, tutti i noi alla Rotel siamo ben lieti di accogliere le vostre domande e commenti.

NOTA: *Ci sono 2 viti che assicurano il carrello dei dischi durante il trasporto. Le viti sono di colore rosso per individuarle e rimuoverle più facilmente. Girate attentamente il RCC-1055 su un lato e rotate le viti in senso antiorario per poterle estrarre. Se le viti non sono rimosse il carrello dei dischi non si aprirà.*



Se vi siete dimenticati di rimuovere le viti prima di aver messo in funzione il RCC-1055, disattivate l'unità e scollegatela dalla presa di corrente a muro. In seguito rimuovete le viti come descritto sopra.

Conservate le viti in un posto sicuro in quanto dovranno essere reinserite in caso di futuri spostamenti del RCC-1055. Prima di spostare il RCC-1055, togliere tutti i CD dal carrello e chiudetelo. Aspettate fino a che sul display compare "0 00 00:0" per spegnere l'interruttore principale e scollegate il cavo di alimentazione dalla presa di corrente. Girate l'unità su un lato e riponetevi le viti.

Conservate il cartone di trasporto del RCC-1055 e tutti gli accessori per l'imballo. Si consiglia di usare gli imballaggi originali per ogni futuri spostamenti del RCC-1055 in quanto l'utilizzo di altri materiali può causare seri danni al vostro lettore.

Il RCC-1055 è stato progettato per la riproduzione di compact disc con il logo **COMPACT disc DIGITAL AUDIO** d'identificazione mostrato qui accanto. Non si devono usare altri tipi di dischi.

Prima di spostare il RCC-1055, togliere tutti i dischi dall'unità. In questa maniera, un eventuale spostamento dei dischi all'interno dell'unità non danneggerà in alcun modo il lettore.

Mantenere il carrello dei dischi chiuso, eccetto quando inserite o estraete i dischi. In questo modo la polvere non può entrare e deporsi sul laser.

Compilate e spedite il modulo di registrazione che si trova all'interno dell'imballaggio insieme al RCC-1055. Inoltre, conservate lo scontrino originale d'acquisto. E' la prova migliore della data d'acquisto, in caso fossero necessarie delle riparazioni in garanzia.

HDCD[®], **HDCD**[®], **High Definition Compatible Digital**[®] e **Pacific Microsonics**[™] sono sia marchi registrati sia marchi di fabbrica della Pacific Microsonics, Inc. nei Stati Uniti e/o in altri paesi. Sistema HDCD prodotto sotto licenza Pacific Microsonics, Inc. Questo prodotto è coperto di uno o più patenti in seguito: Negli Usa: 5,479, 168, 5,638,074, 5,640,161, 5,808,574, 5,838,274, 5,854,600, 5,864,311, 5,872,531 e in Australia: 669114. Altri patenti in arrivo.

Posizionamento

Così come tutti i componenti audio che gestiscono segnali di basso livello, anche il RCC-1055 può essere influenzato dall'ambiente. Per ridurre al minimo la possibilità che il RCC-1055 sia disturbato da ronzii o interferenze, non collocatelo sopra un amplificatore o altro apparecchio che dispone di un trasformatore di corrente di grandi dimensioni. Mantenete una certa distanza tra il RCC-1055 e dispositivi che includono anche dei motori. Non posizionate il RCC-1055 nella luce diretta del sole. Ed infine, non usate il RCC-1055 in ambienti con una temperatura che supera i 95°F/35°C o scende sotto i 41°F/5°C. Se il RCC-1055 viene spostato da un ambiente freddo in uno con una temperatura più alta, esiste il rischio di formazione della condensa sui componenti ottici che potrebbe causare un funzionamento errato. Non mettere in funzione il RCC-1055 per almeno 30 minuti dopo averlo spostato da un ambiente freddo.

Vi raccomandiamo di installare il RCC-1055 in mobili che sono stati appositamente progettati per contenere componenti audio. Tali elementi di arredo sono stati progettati per ridurre o eliminare le vibrazioni che possono influire negativamente sulla qualità sonora. Rivolgetevi al vostro rivenditore autorizzato Rotel per consigli sui mobili adatti e la corretta installazione dei componenti audio.

Cavi

Fate in modo da tenere ben separati i cavi di alimentazione, i cavi di segnale digitale e i normali cavi di segnale audio nella vostra installazione. Ciò ridurrà al minimo la possibilità che i normali cavi di segnale audio vengano disturbati da rumori o interferenze da cavi di alimentazione o cavi digitali. Usando soltanto cavi schermati di alta qualità aiuterà ancora di più nel prevenire che i rumori e le interferenze disturbino la qualità sonora del vostro sistema. Se avete domande da fare, non esitate di contattare il vostro rivenditore Rotel per avere i migliori consigli sui cavi più adatti da utilizzare nel vostro sistema.

Maneggiare i Compact Disc

Maneggiate i CD con molta attenzione. Teneteli sempre dai bordi come mostrato nella figura accanto, ed evitate di toccare la superficie incisa.



Le impronte e la polvere dovrebbero essere pulite con attenzione dalla superficie di segnale del disco (la superficie lucida) con l'aiuto di un panno morbido. I movimenti devono essere decisi e orientati dalla parte interna verso la parte esterna del disco.

Non usate mai prodotti chimici, tipo i prodotti spray per la pulizia dei dischi, dei spray liquidi antistatici, benzine o solventi per pulire i compact disc. Tali prodotti rovineranno la superficie di plastica dei dischi.

Conservate i dischi nella loro custodia di plastica, e se non è possibile, proteggeteli dalla polvere e dai graffi. Non esponete i dischi alla luce diretta del sole, alta umidità o alle temperature alte per lunghi periodi.

Alimentazione di Corrente AC e Controlli

Ingresso Alimentazione AC 18

Il Vostro RCC-1055 è stato configurato in fabbrica per la corretta tensione AC del paese dove lo avete acquistato (sia 115 volt sia 230/240 volt). La configurazione di linea AC è riportata su un adesivo situato sul pannello posteriore.

NOTA: Nel caso dovrete portare il vostro lettore CD in un altro paese, potrebbe essere necessaria una nuova configurazione dell'apparecchio per una tensione di linea diversa. Non cercate di effettuare da soli tale operazione. L'apertura del RCC-1055 vi espone a tensioni pericolose. Rivolgetevi ad un personale tecnico qualificato o al dipartimento service della Rotel per informazioni.

Il RCC-1055 dovrebbe essere collegato direttamente ad una presa a muro polarizzata a 2 pin o ad una multipresa di un altro componente nel vostro sistema audio. Non usate prolunghe.

Assicuratevi che il tasto di alimentazione sul pannello frontale sia spento (nella posizione "in fuori"). Inserire quindi il cavo di alimentazione in una presa di corrente AC.

Se dovrete partire per un lungo periodo, per esempio per una vacanza di un mese, è consigliabile scollegare il vostro lettore CD (così come gli altri componenti audio video) dalla presa di corrente.

Tasto Power 1 e Indicatore di alimentazione 2

L'Interruttore Power (di alimentazione) si trova nella parte sinistra sul pannello frontale. Premere il tasto per accendere il RCC-1055. Per spegnere il RCC-1055, premere nuovamente il tasto per riportarlo nella posizione iniziale.

NOTA: Se state usando una presa a interruttore per attivare/disattivare il vostro lettore CD, dovrete lasciare il tasto power nella posizione "on". Quando viene applicata la corrente AC all'unità, l'apparecchio si attiverà nella modalità completamente attivo.

Quando l'interruttore Power è premuto verrà selezionato il disco che si trova nella posizione 1. Il Display mostra il numero del disco e della traccia e verrà visualizzata la scritta Disc 1 / Track 1. Anche l'Indicatore della durata s'illuminerà.

Collegamenti in Uscita

Il RCC-1055 vi mette a disposizione una vasta gamma di segnali digitali ed analogici in uscita. Il segnale analogico in uscita proveniente dal convertitore Digitale in Analogico incorporato viene utilizzato con i componenti audio analogici convenzionali. L'uscita digitale, che eroga un segnale dati non elaborato, viene utilizzato con convertitori D/A esterni o con processori digitali.

NOTA: Per prevenire l'apparizione di forti suoni che né voi né i vostri diffusori apprezzeranno, vi consigliamo di spegnere tutti i componenti del sistema quando effettuate i collegamenti di segnale.

Uscite Analogiche 13

(Vedi Figura 4 per la modalità di collegamento)

Una coppia di jack RCA standard fornisce un segnale analogico non bilanciato in uscita dal RCC-1055 verso gli ingressi sorgente di un preamplificatore audio, amplificatore integrato, o sintoamplificatore. Le connessioni RCA si trovano su quasi tutti i componenti. Scegliete solamente cavi d'interconnessione audio di alta qualità. Collegare l'uscita del canale sinistro del RCC-1055 all'ingresso sorgente del canale sinistro sul preamplificatore o altro componente. Collegare l'uscita destra del RCC-1055 all'ingresso sorgente del canale destro sul preamplificatore o altro componente.

Uscita Digitale 17

(Vedi Figura 5 per la modalità di collegamento)

Se state utilizzando il RCC-1055 come lettore CD con un convertitore D/A esterno o un altro processore digitale, avrete bisogno di un flusso dati digitale non elaborato dal RCC-1055, prelevato prima del convertitore D/A incorporato. Il segnale è fornito dal jack coassiale digitale in uscita che si trova sul pannello posteriore. Usando un cavo coassiale standard da 75mm, collegate il jack dell'uscita digitale al connettore dell'ingresso digitale sul convertitore D/A esterno.

Il Telecomando

Il RCC-1055 è dotato con un telecomando RR-D92. Quando viene usato il RR-D92, il trasmettitore del telecomando deve essere puntato verso il pannello frontale del RCC-1055. Le funzioni base della riproduzione dei dischi sono controllate dal tasto collocato vicino alla parte frontale del RR-D92. E' presente inoltre uno sportellino glissante sulla parte inferiore del telecomando che nasconde i tasti che controllano le funzioni secondarie, del tipo programmazione, scansioni del disco, e la selezione diretta dei dischi.

Il RR-D92 duplica le funzioni di controllo di base per la riproduzione dei dischi controllate dai tasti sul pannello frontale. Quando il controllo play di un disco si trova sia sul pannello frontale, sia sul telecomando, verranno visualizzate le entrambe identificazioni di controllo nelle istruzioni a riguardo. Per esempio, per riprodurre un disco potrete premere sia il 9 sul pannello frontale sia il 20 sul telecomando. Esistono alcune funzioni, come la funzione di riproduzione delle tracce programmate, che sono attivate esclusivamente dal RR-D92.

Sensore Telecomando 4

Il Sensore Telecomando riceve i segnali a infrarossi dal telecomando. Non coprire o ostruire il sensore. Deve essere libero perché se no il telecomando non funzionerà correttamente. Il funzionamento del Sensore Telecomando può essere influenzato negativamente anche se esposto a luce intensa, specialmente alla luce solare. Alcuni tipi di luce, come l'alogeno, che emettono una grossa quantità di raggi infrarossi, possono interferire con il funzionamento corretto. Inoltre, le funzioni del telecomando possono essere influenzate in maniera negativa se le batterie sono usate.

Ingresso Telecomando Esterno 16

Questo connettore è stato progettato per essere utilizzato insieme a ripetitori di segnale infrarossi Xantech™, Video Link™ (venduti separatamente dagli installatori di sistemi a infrarossi). Questa caratteristica vi permette di controllare il RCC-1055 con l'aiuto del telecomando anche quando è installato in una zona non visibile dalla posizione d'ascolto. Contattate il vostro rivenditore autorizzato Rotel per ulteriori informazioni.

Video Link e Xantech sono Marchi Registrati della Xantech Corporation.

Le Batterie del Telecomando

Le pile fornite insieme al telecomando devono essere installate prima di utilizzare il telecomando. Fate scivolare lo sportellino secondario di controllo fino a che non si ferma. Premere poi il piccolo simbolo triangolare sul coperchio per accedere al posto delle batterie. Installate le batterie come mostrato nell'illustrazione. Verificate se il telecomando funziona correttamente e richiudete il coperchio. Quando le batterie sono usate, il telecomando non controllerà più in maniera corretta il RCC-1055. L'installazione di nuove batterie dovrebbe eliminare questo problema.

NOTA: *Rimuovere le batterie dal telecomando se non lo userete per un lungo periodo de tempo. Non lasciate le batterie usate all'interno del telecomando. Le batterie consumate possono perdere dei liquidi chimici corrosivi che possono danneggiare l'unità.*

Ingresso Trigger 12 Volt 15

Il RCC-1055 può essere attivato da un segnale trigger a 12 volt. L'ingresso trigger accetta ogni tipo di segnale di controllo (AC o DC), da 3 volt a 30 volt. Quando viene collegato un cavo all'ingresso 12V ed è presente un segnale trigger, il RCC-1055 è attivato. Quando il segnale trigger è disattivato, l'unità entra nella modalità standby. L'indicatore power sul pannello frontale rimane acceso, ma il display si spegnerà e l'unità non funziona.

NOTA: *Quando viene utilizzata la funzione Trigger 12V, lasciate il tasto POWER nella posizione ON.*

Connettore Computer I/O 14

Il RCC-1055 può essere operato da un personal computer contenente software per il controllo dei sistemi audio. Questo tipo di controllo è realizzato inviando i codici di controllo, che normalmente sono usati dal RR-D92, attraverso una connessione hard-wire in rete dal computer.

L'ingresso COMPUTER I/O ha la connessione necessaria sul pannello posteriore. Accetta spinotti modulari standard a 8 pin RJ-45, simili a quelli usati nel cablaggio Ethernet 10-Base T UTP.

Per ulteriori informazioni sulle connessioni, sul software, e sui codici di funzionamento per il controllo dal computer del RCC-1055, rivolgetevi al vostro rivenditore autorizzato Rotel.

Caricamento dei Dischi

Tasti Carrello Dischi 8 e Open /Close 6 e 19

Premere il tasto Open/Close sia sul pannello frontale sia sul telecomando per aprire il Carrello Dischi. Inserire i dischi negli spazi numerati nel Carosello dei Dischi con le etichette rivolte verso l'alto. Assicuratevi che i dischi siano perfettamente centrati negli appositi spazi del Carosello dei Dischi. Si possono caricare sia dischi standard da 12 cm, sia i dischi da 8 cm. Esiste una zona separata nel carosello per i dischi da 8 cm. Quando il carrello dei dischi è aperto i dischi possono essere caricati nelle tre posizioni dischi nella parte anteriore del carrello. Per caricare i dischi nelle posizioni rimanenti, premere il tasto Disc Skip (salta disco) 7 24 per far girare il carosello. Premere il tasto Open/Close nuovamente per chiudere il carrello dei dischi a caricamento ultimato.

NOTA: *Non tentate di chiudere il Carrello Dischi manualmente. Esiste il rischio di danneggiarlo in questo modo. Usate soltanto i tasti Open/Close. Non toccate il Carosello Dischi quando questo sta ancora girando e non tentate di girarlo manualmente, potreste provarli dei seri danni. Usate il tasto Salta Disco e lasciate che il Carosello Dischi si fermi prima di caricare o rimuovere dei dischi.*

Esiste inoltre anche la possibilità di caricare dei dischi nel RCC-1055 quando un disco è in riproduzione. Premere il tasto Open/Close per aprire il Carrello Dischi. Tre delle quattro posizioni dei dischi saranno disponibili per caricare il disco. Per accedere alle posizioni rimanenti, premere il tasto Disc Skip. Il Carosello dei Dischi si girerà per permettervi di accedere alle posizioni rimanenti. Premere nuovamente il tasto Open/Close per chiudere il Carrello Dischi quando avete finito con il caricamento dei dischi.

Tasti Disc Skip (Salta Disco) 7 e 24

I tasti Disc Skip hanno due funzioni. Una è di girare il Carosello Dischi quando state caricando dei CD, come descritto nella sezione precedente.

NOTA: Non ruotate il carosello manualmente; usate soltanto il tasto Disc Skip. Non toccate il carosello mentre sta ancora girando.

L'altra funzione del tasto Disc Skip è di selezionare un disco da riprodurre. Il prossimo disco viene selezionato ogni qualvolta viene premuto il tasto Disc Skip. Se è selezionato il disco 5, la pressione del tasto Disc Skip selezionerà il disco 1.

Premendo il tasto Disc Skip quando non c'è nessun disco in riproduzione si seleziona il seguente disco. Se il tasto Disc Skip è premuto quando c'è un disco in riproduzione, il RCC-1055 arresta la riproduzione in corso, seleziona il prossimo disco, ed inizia la riproduzione della traccia 1 di quel disco.

Selezionare un Disco per la Riproduzione

Oltre ai tasti Disco descritti in precedenza, il telecomando può essere utilizzato anche per la selezione dei dischi.

Tasti Disc 1 - 5 27

(solamente sul telecomando)

Premere il tasto corrispondente al disco che desiderate selezionare. Premendo uno dei tasti Disc 1- 5 quando non c'è nessun disco in riproduzione si seleziona semplicemente il disco corrispondente. Se uno dei tasti Disc 1 - 5 viene premuto quando un disco è in riproduzione, il RCC-1055 arresta la riproduzione del disco corrente, seleziona il disco corrispondente, ed inizia la riproduzione della traccia 1 del disco.

La Riproduzione dei Dischi

Tasti Play 9 e 21

Premere il tasto Play per riprodurre il disco indicato nel Display. Il disc inizierà la riproduzione con la Traccia 1, salvo che non sia stata selezionata un'altra traccia prima della pressione del tasto Play.

Salvo che una delle funzioni Repeat Play non è stata selezionata:

- Dopo che è stata riprodotta l'ultima traccia dai dischi 1 fino a 4, viene selezionato il prossimo disco e la riproduzione continua con la traccia 1 del disco.
- Alla fine del disco 5 la riproduzione si ferma.

Vedi la sezione Repeat Play per ulteriori informazioni.

Tasto Pause 11 22

Premere il Tasto Pause per fermare temporaneamente la riproduzione dei dischi. Premere nuovamente il Tasto Pause, o il Tasto Play, per riprendere la riproduzione del disco della stessa traccia e nello stesso momento.

Tasto Stop 10 26

Premere il tasto Stop per arrestare la riproduzione del disco. Il disco rimarrà selezionato ma la selezione delle tracce tornerà alla traccia 1.

Tasti Salta Traccia 12 20

Quando il disco non è in riproduzione:

- Premere il tasto ►► per selezionare la traccia successiva sul disco. Premere e tenere premuto il tasto ►►► per avanzare più di una traccia sul disco.
- Premere il tasto ◀◀ per selezionare la traccia precedente sul disco. Premere e tenere premuto il tasto ◀◀◀ per tornare indietro più di una traccia sul disco.

Quando c'è un disco in riproduzione:

- Premere il tasto ►►► per saltare il resto della traccia in riproduzione e iniziare la riproduzione dall'inizio della traccia successiva sul disco. Premere e tenere premuto il tasto ►►►► per avanzare più di una traccia sul disco.
- Premere il tasto ◀◀◀ per ritornare all'inizio della traccia in riproduzione. Premere e tenere premuto il tasto ◀◀◀◀ per tornare indietro più di una traccia sul disco.

Tasti selezione Traccia 28

(solamente sul telecomando)

Per selezionare una traccia particolare su un disco, premere i tasti Selezione Traccia corrispondenti. La traccia selezionata inizierà immediatamente la riproduzione. Per selezionare tracce con un numero più alto che 10, usate i tasti ">10". Per esempio, per selezionare la traccia 17, premere il tasto ">10" seguito dal tasto "7".

NOTA: Quando il RCC-1055 è in modalità Riproduzione Programmata, i tasti Selezione Traccia sono usati per selezionare la tracce da aggiungere alla programmazione. Vedi la sezione Riproduzione Disco Programmato.

Tasti Ricerca 23

(solamente sul telecomando)

Premere e tenere premuti i tasti ►► o ◀◀ per cercare rapidamente un disco in avanti o all'indietro. Per i primi cinque secondi la velocità di ricerca sarà approssimativamente quattro volte la velocità normale di riproduzione. Dopo tre secondi la velocità di ricerca aumenterà a circa 20 volte la normale velocità di riproduzione. Il volume del suono viene diminuito quando viene usata la funzione di ricerca. La funzione di ricerca può essere utilizzata anche quando la riproduzione del disco è stata fermata temporaneamente con la funzione Pause.

Alcune parole sull'HDCD® 3

I dischi HDCD sono codificati con un flusso di dati ad alta densità. Durante la riproduzione, questo flusso dati di alta densità viene decodificato in un segnale digitale convenzionale. Questo sistema di codifica/decodifica HDCD riduce considerevolmente gli errori normalmente generati durante le conversioni analogico-in-digitale e poi digitale-in-analogico. Il sistema HDCD è attivato automaticamente e l'indicatore HDCD 3 si accende ogni volta che viene riprodotto un disco HDCD.

Pannello Display **5**

Gli indicatori Disc **A** mostrano le posizioni del Carrello Dischi che contengono un CD.

L'Indicatore Play **B** è acceso ogni volta che un disco è in riproduzione.

L'Indicatore Pause **C** è acceso quando la riproduzione del disco è stata temporaneamente sospesa con il tasto Pause.

L'Indicatore Selezione Disco **D** mostra il numero del disco correntemente selezionato. Se è stata selezionata l'opzione di visualizzazione della Durata Rimane della Riproduzione Disco, l'Indicatore Selezione Disco cambia in "-". Vedi la sezione Visualizzazione Durata.

L'Indicatore Traccia **E** mostra la traccia selezionata, il numero totale di tracce sul disco, oppure il numero di tracce rimanenti sul disco. Vedi la sezione Tasto Durata.

Uno degli Indicatori Modalità Repeat Play **F** si accende se una delle opzioni di ripetizione della riproduzione è stata selezionata. Vedi la sezione Tasto Ripetizione Play per ulteriori informazioni.

L'Indicatore Riproduzione Random **G** è acceso quando è usata una delle opzioni di riproduzione random. Vedi la sezione Riproduzione Random.

L'Indicatore Riproduzione Programmata **H** s'illumina ogni volta che viene attivata la funzione di programmazione delle tracce. Vedi la sezione Riproduzione Programmata.

L'Indicatore Intro Scan **I** è acceso quando viene attivata la funzione Intro Scan. Vedi la sezione Intro Scan.

L'Indicatore Durata Rimane **J** s'illumina quando una delle funzioni di visualizzazione della durata è attivata. Vedi la sezione Visualizzazione Durata.

Il Display della Durata **K** mostra sia il tempo totale del disco selezionato, sia il tempo della traccia corrente in riproduzione, il tempo rimanente della traccia corrente, oppure il tempo rimanente del disco in riproduzione. Vedi la sezione Tasto Durata.

La Visualizzazione delle Tracce **L** mostra il numero totale delle tracce sul disco in riproduzione e la traccia corrente in riproduzione. Se il disco selezionato contiene più di 16 tracce, si accende anche l'Indicatore di Tracce Aggiuntive **M**.

Quando viene selezionato un disco, la Visualizzazione delle Tracce mostra il numero totale di tracce sul disco. Il numero della traccia in riproduzione lampeggia. Dopo la riproduzione di una traccia il numero di quella traccia si spegne. Se ci sono più di 16 tracce sul disco, dopo la riproduzione della traccia 16 l'indicatore **M** inizierà a lampeggiare. L'Indicatore delle Tracce indica il numero della traccia che è stata riprodotta, oppure il numero delle tracce rimanenti, in base alla modalità di Visualizzazione della durata selezionata.

Quando vengono riprodotte delle tracce programmate, soltanto il numero (i) delle tracce programmate viene illuminato. Il numero della traccia in riproduzione lampeggia, e si spegne dopo che la riproduzione di essa è finita. Vedi la sezione Riproduzione Programmata.

Tasto Visualizzazione Durata **25**

(solamente sul telecomando)

Quando viene selezionato un disco, ma non è in riproduzione, la Visualizzazione della Durata indica il tempo totale di riproduzione e il numero di tracce sul disco. Quando un disco è in riproduzione, la Visualizzazione della Durata indica il numero della traccia e il tempo trascorso nella riproduzione della traccia stessa. Premere il tasto Visualizzazione Durata per cambiare tra la modalità Visualizzazione Traccia/Durata.

Modalità Individuale/Rimane

Premere il tasto Durata (Time) una volta per selezionare la modalità Individuale/Rimane. L'Indicatore del Tempo Rimane s'illumina. L'Indicatore Traccia mostra la traccia riprodotta. La Visualizzazione della Durata indica il tempo rimanente della traccia in riproduzione.

Modalità Totale/Rimane

Premere il tasto Durata un'altra volta per selezionare la modalità Totale/Rimane. L'Indicatore della Durata Rimane rimane acceso. L'Indicatore della Traccia mostra il numero delle tracce rimanenti da riprodurre. La Visualizzazione Disco cambia dal numero del disco in riproduzione a "-". La Visualizzazione della Durata indica il tempo rimanente sul disco.

Premendo il tasto Durata mentre è stata selezionata la modalità Totale/Rimane cambia la visualizzazione Durata/Traccia di nuovo nella modalità di Visualizzazione Normale. Anche la Visualizzazione Durata/Traccia ritorna alla normale modalità di visualizzazione quando la riproduzione del disco viene fermata e poi ripresa.

Tasto Ripetizione Play **29**

(solamente sul telecomando)

Normalmente, i dischi da 1 a 5 vengono riprodotti in sequenza e la riproduzione si ferma alla fine del disco 5. Premere il tasto Ripetizione Play per selezionare la modalità di Ripetizione 1 Traccia. Premerlo nuovamente per selezionare la modalità Ripetizione 1 Disco. Premendolo un'altra volta si seleziona la modalità Ripetizione tutti i dischi. Le funzioni Ripetizione Play possono essere attivate/disattivate in ogni momento, anche durante la riproduzione di un disco.

Ripetizione 1 Traccia

Quando viene selezionata la funzione Ripetizione 1 traccia, l'indicatore "Repeat" e "1" si accendono sul display. Se l'opzione Ripetizione 1 Traccia è selezionata quando non c'è un disco in riproduzione, la traccia selezionata verrà ripetuta subito dopo la pressione del tasto play. Se l'opzione Ripetizione 1 Traccia è selezionata durante la riproduzione, quella traccia continuerà a suonare e poi verrà ripetuta.

I tasti Salta Traccia funzionano normalmente quando l'opzione Ripetizione 1 Traccia è selezionata. Se viene selezionata una nuova traccia con i tasti Salta Traccia, questa verrà ripetuta fino che l'opzione Ripetizione Play non viene disattivata. La funzione dei tasti Ricerca è normale quando è selezionata l'opzione Ripetizione 1 traccia. Sarete in grado di cercare in avanti la prossima traccia o indietro la traccia precedente. La nuova traccia verrà poi ripetuta.

Se viene utilizzata la funzione Riproduzione Programmata, l'opzione Ripetizione 1 traccia non può essere selezionata.

Ripetizione 1 Disco

Quando è selezionata la funzione Ripetizione 1 Disco, gli indicatori "Repeat", "1" e "Disc" sul display s'illuminano. Se viene selezionata l'opzione Ripetizione 1 Disco quando non c'è un disco in riproduzione, il disco selezionato quando viene premuto il tasto play inizia la riproduzione con la traccia 1. Dopo l'ultima traccia sul disco, la riproduzione continua iniziando con la traccia 1 del disco. Se l'opzione Ripetizione 1 Traccia viene selezionata durante la riproduzione di una traccia, continuerà la riproduzione di quella traccia. Dopo l'ultima traccia del disco la riproduzione continua con la traccia 1 del disco.

I tasti Salta Traccia funzionano normalmente quando è selezionata l'opzione Ripetizione 1 traccia. Se viene selezionata una nuova traccia con i tasti Salta Traccia, questa verrà ripetuta fino alla disattivazione dell'opzione Ripetizione Play. I Tasti Ricerca funzionano normalmente quando è selezionata l'opzione Ripetizione 1 Traccia. Potrete cercare in avanti la traccia successiva, o indietro la traccia precedente. La nuova traccia verrà poi ripetuta.

Ripetizione di Tutti i Dischi

Quando è selezionata l'opzione Ripetizione Tutti dischi, l'indicatore "Repeat All Disc" sul display s'illumina. Tutte le tracce di tutti i dischi sono riprodotte in sequenza, iniziando dalla traccia selezionata o in riproduzione. Dopo la riproduzione dell'ultima traccia del disco 5, si continuerà con la traccia 1 del disco 1. tutti i dischi continueranno la riproduzione in sequenza fino alla disattivazione della funzione Ripetizione Tutti Dischi.

Le opzioni Salta Disco e Ricerca Disco funzionano normalmente quando è attiva la funzione Ripetizione Tutti Dischi.

Se viene usata la funzione Riproduzione Programmata, le tracce programmate vengono riprodotte in sequenza. Dopo la riproduzione dell'ultima traccia programmata, la riproduzione continua con la prima traccia programmata. Vedi la sezione Riproduzione Programmata per ulteriori informazioni.

Le funzioni Salta Traccia e Ricerca sono normali quando viene utilizzata l'opzione Ripetizione Tutti Dischi.

Tasto Riproduzione Random **30**

(solamente sul telecomando)

La funzione Riproduzione Random seleziona in maniera casuale le tracce da riprodurre. Premere il tasto Random per attivare la funzione. Premerlo nuovamente per disattivare la funzione Riproduzione Random. Quando la funzione è attiva, l'Indicatore Random **G** sul display è illuminato.

Se la funzione Riproduzione Random è attivata quando non c'è un disco in riproduzione, verrà selezionata casualmente una traccia nel momento in cui viene premuto il tasto play. Se c'è un disco in riproduzione quando viene attivata la funzione Random, verrà selezionata un'altra traccia ed inizierà immediatamente la sua riproduzione.

La funzione Riproduzione Random può essere impostata per selezionare solamente tracce da un solo disco. Quando non c'è un disco in riproduzione, premere il tasto Random Play **30**, poi selezionare il numero del disco dal quale selezionare le tracce con il tasto di selezione disco **27**. Quando premerete il tasto play, le tracce verranno selezionate casualmente dal disco scelto.

Se il tasto di Avanzamento Traccia **▶▶** viene premuto durante la riproduzione di un disco e il Random Play è attivo, verrà selezionata immediatamente un'altra traccia. Se viene premuto il tasto Salta Traccia all'indietro **◀◀** durante la riproduzione di un disco e con la funzione Random Play attiva, inizierà la riproduzione della stessa traccia dall'inizio.

Le funzioni del tasto Ricerca Avanti **▶▶** sono normali quando è attivo il Random Play. Se cercate in avanti verso la fine della traccia, verrà selezionata casualmente un'altra traccia. Il tasto di Ricerca Indietro **◀◀** vi permette di cercare all'indietro verso l'inizio della traccia in riproduzione.

La Riproduzione Random può essere usata insieme alla Riproduzione Programmata. Se viene attivato il random Play dopo aver programmato una serie di tracce, le tracce programmate verranno riprodotte in un ordine casuale.

NOTA: Per utilizzare queste due funzioni insieme, il Random Play deve essere disattivato dopo la programmazione delle tracce. Se la Riproduzione Random è attiva, la funzione Riproduzione Programmata non può essere selezionata.

Se una delle funzioni Ripetizione 1 Traccia o Ripetizione 1 Disco è attiva, verrà disattivata una volta scelta la funzione Random Play. La Riproduzione Random e Ripetizione Tutti Dischi possono essere utilizzate insieme.

Tasto Intro Scan **31**

(solamente sul telecomando)

La funzione Intro Scan vi permette di ascoltare una piccola parte dell'inizio delle tracce musicali. Premere il tasto Scan per attivare la funzione Intro Scan. Premerlo nuovamente il tasto Scan, oppure il tasto Stop, per disattivare la funzione Intro Scan. Quando la funzione Intro Scan è attiva, l'indicatore Intro **I** sul display è acceso.

Se non è stata usata la Riproduzione Programmata, i primi 10 secondi di ogni traccia dei dischi caricati verranno riprodotti in sequenza, iniziando dalla traccia corrente selezionata. Dopo i primi 10 secondi dell'ultima traccia sul disco 5, la funzione Intro Scan si ferma. Se viene usata la Riproduzione Programmata, vengono riprodotti i primi 10 secondi di ogni traccia programmata, iniziando con la traccia programmata selezionata in corso. Dopo i primi 10 secondi dell'ultima traccia programmata, la Riproduzione Intro Scan si ferma.

Quando l'Intro Scan è attivata senza un disco in riproduzione, la scansione inizia con la traccia che selezionate. Se l'Intro Scan viene attivata durante la riproduzione di un disco, il RCC-1055 passa alla traccia seguente, riproduce i primi 10 secondi di quella traccia e di tutte le tracce successive. Esiste soltanto un'eccezione - se l'Intro Scan è attivata durante la riproduzione dei primi 10 secondi di una traccia. In quel caso, verranno riprodotti i rimanenti secondi dei primi 10 di quella traccia. Poi, il RCC-1055 passa all'inizio della traccia successiva e continua la scansione.

La funzione Intro Scan è interattiva con la Riproduzione Random, Riproduzione Programmata, e il Repeat Play. Tali combinazioni di funzioni verranno utilizzate molto raramente. Per esempio, se entrambe le funzioni Intro Scan e Ripetizione /Tutto sono attivate, i primi 10 secondi di ogni disco verranno riprodotti continuamente in sequenza. Se invece, sono attive le funzioni Intro Scan e Random, verranno riprodotti i primi 10 secondi delle tracce selezionate casualmente. Se sono attive le funzioni Intro Scan e Riproduzione Programmata, verranno riprodotti in sequenza i primi 10 secondi di ogni traccia programmata. Se anche la funzione Ripetizione /Tutte è attiva, i primi 10 secondi di ogni traccia programmata verranno riprodotti in sequenza continuamente. Altre combinazioni di funzioni sono altrettanto possibili, ma molto inusuali.

Riproduzione Programmata Dischi

Possono essere programmate fino a 32 tracce da tutti i dischi caricati selezionate per la riproduzione. Dopo aver programmato un gruppo di tracce, queste verranno riprodotte nell'ordine programmata. Tutte le funzioni di programmazioni e di riproduzione programmata sono realizzate con il telecomando.

Tasto Programmazione **32**

(solamente sul telecomando)

Il tasto Programmazione è usato per attivare/disattivare la funzione Riproduzione Programmata. Quando la Riproduzione Programmata viene attivata l'Indicatore di Riproduzione Programmata **H** sul display si accende.

Una volta programmato un gruppo di tracce, solamente quelle tracce verranno riprodotte fino alla disattivazione della funzione di Riproduzione Programmata. Premere il tasto Program per disattivare la Riproduzione Programmata, cancellare le tracce programmate e ritornare alla modalità di riproduzione normale. Le tracce Programmate vengono cancellate anche con l'apertura del Carrello Dischi o quando viene disattivata l'alimentazione di corrente.

Programmazione Tracce

Programmazione Durante la Riproduzione di un Disco

Premere il tasto Riproduzione Programmata **32**, l'indicatore Programmazione **H** sul display s'illumina. La traccia in riproduzione quando viene premuto il tasto Program diventa la prima selezione programmata. Il display della Durata **K** indica brevemente "P-01", cioè la traccia che è la selezione programmata 1. Se la seconda traccia che desiderate aggiungere alla programmazione si trova sullo stesso disco, usate i tasti Selezione Tracce **28** per selezionare la traccia successiva. Se la seconda traccia da aggiungere alla lista della programmazione si trova su un disco diverso, usate i tasti Selezione Disco **27** per selezionare il prossimo disco. Il display delle Tracce e della Durata cambierà per indicare che è stata effettuata un'altra selezione. Il display della Durata **K** visualizza brevemente "P-02", indicando la traccia programmata selezione 2. Continuate selezionando nuovi dischi (se necessario) e tracce, fino a che non avete programmato tutte le tracce desiderate. Poi premere il tasto Play per iniziare le riproduzione delle tracce programmate.

Esempio di Programmazione

Mentre si sta riproducendo la Traccia 7/Disco 4 . . .

La pressione del(i) tasto(i)
Risulta in

Tasto Program
Traccia 7 / Disco 4 diventa selezione 1
Tasto Traccia 3
Traccia 3 / Disco 4 diventa selezione 2
Tasto Disco 2, poi tasto Traccia 6
Traccia 6 / Disco 2 diventa selezione 3
Tasti Traccia > 10 poi 1
Traccia 11 / Disco 5 diventa selezione 4
Tasto Disco 5, poi Tasto Traccia 9
Traccia 9 / Disco 5 diventa selezione 5
Tasto Traccia 7
Traccia 7 / Disco 5 diventa selezione 6
Tasto Traccia 4
Traccia 4 / Disco 5 diventa selezione 7
Tasto Disco 1, poi Tasti Traccia >10 poi 2
Traccia 12 / Disco 1 diventa selezione 8
Tasto Traccia 10
Traccia 10 / Disco 1 diventa selezione 9

Programmazione Mentre non c'è un Disco in Riproduzione

Premere il tasto Riproduzione Programmata **32**, l'Indicatore Programmazione **H** sul display s'illumina. Se la traccia che volete selezionare per prima si trova sul disco che è stato già selezionato, premere semplicemente i tasti Selezione Tracce **28** per scegliere la prima traccia. Il display Durata **K** cambierà brevemente in "P-01" indicando che la traccia è la selezione programmata 1. Se la traccia che volete programmare per prima si trova su un disco diverso da quello selezionato, usate i tasti Selezione Disco **27** per scegliere un disco diverso, poi selezionare la traccia con i tasti Selezione Tracce. Se la seconda traccia che desiderate aggiungere alla lista di programmazione si trova sullo stesso disco, usate semplicemente i tasti Selezione Tracce per selezionare la traccia successiva. Se la seconda traccia che desiderate aggiungere alla programmazione si trova su un disco diverso, usate i tasti Selezione Disco per selezionare il disco seguente. Il display Tracce e Durata cambierà per indicare che è stata fatta un'altra selezione. Il display Durata **K** cambierà brevemente in "P-02" indicando la traccia programmata selezione 2. Continuate a selezionare nuovi dischi (se necessario) e tracce fino all'ultimazione della programmazione di tutte le tracce che desiderate.

Esempio di Programmazione

Mentre il disco 3 è selezionato ma non in riproduzione...

La pressione del(i) Tasto(i)
Risulta in

Tasto Program
La Modalità Programmazione è attivata
Tasto Traccia 3
Traccia 3 / Disco 3 diventa selezione 1
Tasto Traccia 7
Traccia 7 / disco 3 diventa selezione 2
Tasto Disco 4, poi Tasti Traccia >10 poi 4
Traccia 14 / Disco 4 diventa selezione 3
Tasto Disco 5, poi Tasto Traccia 9
Traccia 9 / Disco 5 diventa selezione 4
Tasti Traccia >10 poi 2
Traccia 12 / Disco 5 diventa selezione 5
Tasto Disco 1, poi Tasto Traccia 8
Traccia 8 / Disco 1 diventa selezione 6
Tasto Disco 2, poi Tasto Traccia 4
Traccia 4 / Disco 2 diventa selezione 7
Tasto Traccia 1
Traccia 1 / Disco 2 diventa selezione 8

Aggiungere Tracce ad una Programmazione

La funzione di programmazione vi da anche la possibilità di aggiungere tracce alla lista delle selezioni in ogni momento, anche dopo l'inizio della riproduzione della selezione programmata. Se la traccia che desiderate aggiungere si trova sul disco in riproduzione, selezionate semplicemente la nuova traccia con i tasti Selezione Tracce. Oppure, usate i tasti Selezione Disco e Selezione Tracce per aggiungere nuove tracce da un altro disco alla programmazione.

Tasto Anteprema **33**

(solamente sul telecomando)

Premere il tasto Review (Anteprema) per rivedere le tracce programmate. Ogni volta che viene premuto il tasto, verrà visualizzato il prossimo disco/traccia selezionato e il numero della sua posizione nella programmazione. Questa funzione può essere usata in ogni momento - durante la programmazione, la riproduzione delle tracce programmate o mentre le tracce programmate non sono in ascolto. Se state ripercorrendo le tracce programmate durante la programmazione o la riproduzione di esse, il display cambierà temporaneamente per mostrare le selezioni programmate per poi ritornare alla modalità normale.

La Riproduzione delle Tracce Programmate

Una volta programmato un gruppo di tracce, premere il tasto Play per iniziare la riproduzione delle tracce, iniziando con la selezione programmata 1. Le tracce selezionate verranno riprodotte in sequenza fino alla fine dell'ultima traccia selezionata. Poi, la riproduzione del disco si ferma.

Durante la riproduzione delle tracce programmate, l'Ordine delle Tracce **L** sul display indica solamente il numero delle tracce programmate. Il numero della traccia corrente in riproduzione lampeggia.

Il tasto Pause funziona normalmente durante la riproduzione delle tracce programmate. Se premete il tasto stop durante la riproduzione delle tracce programmate, la riproduzione riprende con la selezione programmata 1 quando il tasto play viene premuto nuovamente.

I tasti Salta Traccia funzionano normalmente durante la riproduzione delle tracce programmate. Premere il tasto **▶▶** per passare alla prossima traccia programmata. Premere il tasto **◀◀** per ritornare all'inizio della traccia in riproduzione. Premere nuovamente il tasto **◀◀** per ritornare alla precedente traccia programmata. La funzione salta traccia non va oltre la prima o l'ultima traccia programmata salvo che la funzione Ripetizione non sia attivata.

Anche il tasto Ricerca funziona durante la riproduzione delle tracce programmate. Premendo il tasto **▶▶** si cerca in avanti. Se cercate verso la fine della traccia verrà riprodotta la successiva traccia programmata. Se cercate verso la fine dell'ultima traccia programmata, la riproduzione si ferma fino all'attivazione della funzione Ripetizione. Premendo il tasto **◀◀** si cerca all'indietro, ma la ricerca non andrà oltre l'inizio della traccia in riproduzione.

L'opzione Ripetizione Tutti Dischi funzione durante la riproduzione delle tracce programmate. Le altre funzioni di Ripetizione non possono essere selezionate. Quando la funzione Ripetizione è attivata, la prima traccia programmata inizia la riproduzione dopo la riproduzione dell'ultima traccia programmata. In maniera simile, la prima traccia programmata inizia la riproduzione se premete il **▶▶** quando l'ultima traccia programmata è in riproduzione oppure se premete il **▶▶** fino a che non raggiungete la fine dell'ultima traccia programmata.

Guida alla Soluzione dei Problemi

La maggior parte delle difficoltà nei sistemi audio sono il risultato di connessioni incorrette, o di errate impostazioni di controllo. Se riscontrate dei problemi, isolate l'area difettosa, verificate le impostazioni dei controlli, determinate la causa del guasto e fate le modifiche necessarie. Se avete dei problemi con il RCC-1055, fate riferimento alle suggestioni per le seguenti condizioni:

Display Non Acceso

Gli indicatori Disc, Traccia, e Durata sul display devono essere accesi ogni volta che il tasto power del RCC-1055 è premuto. Se il display non si accende, controllate la presa di corrente con un dispositivo elettrico, come per esempio una lampada. Assicuratevi che la presa di corrente utilizzata non è controllata da un interruttore che potrebbe essere spento.

Sostituzione Fusibili

Se un altro dispositivo elettrico funziona quando collegato alla presa di corrente, ma il display del RCC-1055 non si accende ancora quando viene premuto il tasto power, ciò indica che il fusibile interno potrebbe essere bruciato. Se pensate che questa è la causa, rivolgetevi al vostro rivenditore autorizzato Rotel per la sostituzione del fusibile.

Il Disco Non Funziona

Se un disco non inizia la riproduzione con la pressione del tasto play, aprire il carrello dei dischi e controllate che il disco sia stato caricato con l'etichetta verso l'alto. Se il disco è stato caricato correttamente, controllate la parte incisa del disco per stabilire se non è sporco oppure danneggiato in alcun modo. Se il disco è sporco, dovrete pulirlo come descritto nella sezione Maneggiare i Compact Disc. Se un disco è danneggiato invece, dovrete sostituirlo immediatamente.

Nessun Audio

Controllate il selettore ingressi sull'amplificatore per assicurarvi che è stato impostato correttamente. Controllate i commutatori tape monitor per assicurarvi che sono stati impostati in maniera corretta. Controllate le altre sorgenti di segnale per assicurarvi che l'amplificatore stia funzionando correttamente. Infine, verificate i cavi audio tra il RCC-1055 e l'amplificatore per stabilire se sono stati collegati in maniera corretta.

Audio Intermittente

Se l'audio proveniente dal RCC-1055 si sente con intermittenza, il disco potrebbe essere difettoso o sporco. Se il disco è pulito, provate con un altro disco. Se il problema persiste, potrebbe essere causato da vibrazioni che raggiungono in qualche modo il RCC-1055. Le vibrazioni sonore, specialmente provenienti da un subwoofer, possono interferire con la lettura laser della superficie dei dischi. Spostate il RCC-1055 su una superficie più stabile, oppure in un posto più lontano dai diffusori.

Ronzio

Il ronzio è causato dalle interferenze elettriche provenienti da altri dispositivi. Spesso viene assorbito dai cavi audio. Usate solo cavi di alta qualità. I cavi di bassa qualità hanno spesso schermature inadeguate. Controllate per assicurarvi che i cavi sono solidamente collegate al RCC-1055 e all'amplificatore. Provate a muovere i cavi in una posizione più lontana dagli altri componenti elettrici, specialmente dai amplificatori di potenza che hanno trasformatori di potenza di grandi dimensioni. Altri dispositivi che possono causare interferenze nocive sono le luci fluorescenti e gli interruttori che controllano la diminuzione dell'intensità della luce.

Specifiche Tecniche

Risposta in Frequenza (± 0.5 dB)	20 – 20,000 Hz
Rapporto Segnale Rumore	> 100dB
Distorsione Armonica Totale + Rumore	0.0045% @ 1 kHz
Distorsione d'Intermodulazione	0.0045 % @ 1 kHz
Gamma Dinamica	> 96 dB
Separazione Canali	> 98 dB @ 1 kHz
Bilanciamento Canali	± 0.5 dB
Linearità Fase	± 0.5 gradi
Accuratezza velocità, Wow & Flutter	Precisione Cristallo di Quarzo
Convertitori Digitale in Analogico	18 bit equivalenti, DAC Delta Sigma multi livello con filtro digitale di sovracampionatura e HDCD
Uscita di Linea Audio Massima/Impedenza	2 volt 7 100 Ohm
Livello Uscita Digitale (coass)/Impedenza	0.5 volt, Peak to Peak / 75 Ohm
Alimentazione	
Versione USA	115 volt, 60 Hz
Versione Europa	230 volt, 50 Hz
Consumo	15 watt
Dimensioni (L x A x P)	432 x 121 x 410mm 17 x 4 ³ / ₄ x 16 ¹ / ₈ inch
Altezza pannello	109 mm / 4 9/32 inch
Peso (netto)	7.8 kg, 17.2 lb.

Tutte le specifiche sono corrette nel momento della stampa.
 Rotel si riserva il diritto di apportare modifiche senza preavviso.

ADVERTENCIA: No hay componentes manipulables por el usuario en el interior del aparato. Cualquier operación de mantenimiento debe ser llevada a cabo por personal cualificado.

ADVERTENCIA: Para reducir el riesgo de que se produzca un incendio o una descarga eléctrica, no exponga el aparato al agua o la humedad ni permita que ningún objeto extraño penetre en su interior. Si el aparato está expuesto a la humedad o algún objeto extraño penetra en su interior, desconecte inmediatamente el cable de alimentación de la red eléctrica. En caso de que fuera necesario, envíe el aparato a un especialista cualificado para su inspección y posterior reparación.

Lea todas las instrucciones del presente manual antes de conectar o hacer funcionar el aparato. Conserve este manual cerca de usted para el caso de que necesite revisar las instrucciones de seguridad que se indican a continuación.

Tenga siempre en mente las advertencias y la información relativa a seguridad que figuran tanto en estas instrucciones como en el propio aparato. Siga al pie de letra todas las instrucciones relacionadas con el funcionamiento del mismo.

Limpie el exterior del aparato únicamente con una gamuza seca o un aspirador.

Debe dejar unos 10 centímetros de espacio libre alrededor del aparato. No coloque nunca el aparato en una cama, un sofá, una alfombra o una superficie similar susceptible de bloquear las ranuras de ventilación. Si el aparato está ubicado en la estantería de una librería o un mueble, debe haber suficiente espacio a su alrededor y ventilación en el mueble para permitir una refrigeración adecuada.

Mantenga al aparato alejado de radiadores, estufas, cocinas o de cualquier otra instalación que produzca calor.

El aparato debe ser conectado únicamente a una fuente de alimentación del tipo y la tensión especificados en su panel posterior.

Conecte el aparato a una toma de corriente eléctrica únicamente a través del cable de alimentación de dos clavijas polarizado suministrado de serie o un equivalente exacto del mismo. No modifique de ningún modo dicho cable. No intente desactivar los terminales destinados a la conexión a tierra o polarización. No utilice ningún tipo de cable de extensión.

No coloque el cable de alimentación en lugares en que pueda ser aplastado, pinchado, doblado en ángulos críticos, expuesto al calor o dañado de algún modo. Preste particular atención al punto de unión entre el cable y la toma de corriente y también a la ubicación de esta última en el panel posterior del aparato.

El cable de alimentación debería desconectarse de la red eléctrica cuando el aparato no vaya a ser utilizado durante un largo período de tiempo (por ejemplo las vacaciones de verano).

Desconecte inmediatamente el aparato y envíelo a un servicio técnico cualificado para su inspección/ reparación si:

- El cable de alimentación o alguna clavija del mismo ha sido dañado
- Han caído objetos o se ha derramado líquido en el interior del aparato.
- El aparato ha sido expuesto a la lluvia.
- El aparato muestra signos de funcionamiento inadecuado.
- El aparato ha sido golpeado o dañado de algún modo.

Coloque el aparato sobre una superficie fija y equilibrada que sea suficientemente resistente para soportar su peso. No coloque nunca el aparato en una carretilla móvil de la que pueda volcar.



Contenido

Figure 1: Controles y Conexiones	3
Figure 2: Panel de Visualización	3
Figure 3: Mando a Distancia RR-D92	3
Figure 4: Conexiones de Señal Analógicas	4
Figure 5: Conexiones de Señal Digitales	4
Acerca de Rotel	35
Para Empezar	35
Algunas Precauciones	35
Colocación	36
Cables	36
Manejo de Discos Compactos	36
Alimentación y Control	36
Toma de Corriente Eléctrica 18	36
Conmutador 1 e Indicador Luminoso de Puesta en Marcha 2	36
Conexiones de Salida	36
Salidas Analógicas 13	37
Salida Digital 17	37
Mando a Distancia	37
Sensor de Control Remoto 4	37
Entrada para Control Remoto Externo 16	37
Pilas del Mando a Distancia	37
Entrada para Señal de Disparo de 12 Voltios 15	37
Conector de Entrada/Salida para Ordenador 14	37
Carga de Discos Compactos	38
Bandeja de Transporte 8 y Botones de Apertura/Cierre 6 y 19	38
Botones Disc Skip (Salto de Disco) 7 y 24	38
Selección del Disco a Reproducir	38
Botones Disc 1-5 27	38
Reproducción de Discos	38
Botones Play 9 y 21	38
Botón Pausa 11 22	38
Botón Stop 10 26	38
Botones Track Skip (Salto de Pista) 12 20	38
Botones de Selección de Pista 28	39
Botones Search (Búsqueda) 23	39
Acerca del HDCD® 3	39
Panel de Visualización 5	39
Botón de Visualización de Tiempo 25	39
Modo Individual/Restante	39
Modo Total/Restante	40
Botón de Reproducción Repetida 29	40
Repetición de 1 Pista ("Repeat 1 Track")	40
Repetición de 1 Disco ("Repeat 1 Disc")	40
Repetición de Todos los Discos ("Repeat All Discs")	40
Botón de Reproducción Aleatoria ("Random Play") 30	40
Botón de Exploración Introdutoria ("Intro Scan") 31	41
Reproducción Programada de Discos	41
Botón Program 32	41
Programación de Pistas	41
Adición de Pistas a un Programa	42
Botón Review 33	42
Reproducción de Pistas Programadas	42
Problemas y Posibles Soluciones	43
El Visualizador de Funciones No Se Activa	43
Sustitución del Fusible	43
La Reproducción del Disco No Se Inicia	43
No Hay Sonido	43
El Sonido Salta	43
Zumbido	43
Características Técnicas	43

Acerca de Rotel

Rotel fue fundada hace más de 40 años por una familia cuyo entusiasta interés por la música le condujo a diseñar y construir componentes de Alta Fidelidad sin ningún tipo de compromiso. Esta pasión ha permanecido inalterada durante todo este tiempo, hasta el punto de que el objetivo de los fundadores de la compañía -proporcionar productos de la máxima calidad a melómanos y audiófilos independientemente de cuales sean sus posibilidades económicas- es compartido por todos sus empleados.

Los ingenieros de Rotel trabajan como un equipo compacto, escuchando y llevando a cabo el ajuste fino de cada nuevo producto hasta que satisface de manera exacta los estándares de calidad musical para los que fue diseñado. Para lograrlo, disponen de la máxima libertad para escoger los mejores componentes allí donde se encuentren. Le sorprenderá agradablemente encontrar exquisitos condensadores procedentes del Reino Unido y Alemania o semiconductores de Japón o Estados Unidos, mientras que los transformadores toroidales de potencia son construidos en la propia factoría de Rotel.

Rotel se ha ganado a pulso, a través de a cientos de artículos, bancos de pruebas y galardones firmados por los críticos especializados más respetados del mundo, una sólida reputación por la excelencia de sus productos. Los comentarios de estos profesionales que escuchan música cada día hacen posible que la compañía se reafirme en la validez de sus objetivos: la puesta a punto de componentes y equipos musicales fiables y asequibles.

Le agradecemos que haya adquirido este producto y esperamos que le permita disfrutar de su música predilecta durante largos años.

Para Empezar

Gracias por comprar el Lector de Discos Compactos Multicarga Rotel RCC-1055. Utilizado en un equipo de sonido de alta calidad, le proporcionará años y años de disfrute musical.

El RCC-1055 es un componente de altas prestaciones completamente equipado. Constituye la elección ideal para quienes buscan la comodidad de un cambiador de discos compactos pero no aceptan compromisos en la calidad sonora. Incorpora filtros digitales de alta precisión con 8 sobremuestras y circuitería de decodificación HDCD.

Tampoco se ha olvidado la facilidad de utilización. Así, mientras se está escuchando un disco es posible cambiar cualquiera de los otros cuatro. Se dispone además de un completo control a distancia con posibilidad de programación de hasta 32 pistas y función de exploración de pistas.

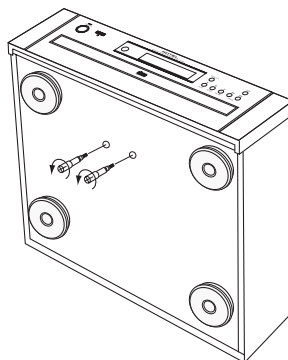
Asimismo, se han utilizado componentes de la más alta calidad posible, como por ejemplo resistencias de película metálica y condensadores de poliestireno o polipropileno, en los trayectos de señal más importantes. Todos los aspectos de este diseño han sido examinados teniendo como meta final la más fiel reproducción posible de la música.

El RCC-1055 es fácil de instalar y utilizar. Por lo tanto, si usted tiene ya experiencia en el manejo de otros componentes de audio estereofónicos, no debería encontrar ningún inconveniente en el uso del aparato. Basta con que lo conecte al resto de componentes de su equipo y disfrute con la música.

Algunas Precauciones

Le rogamos que lea cuidadosamente el presente manual de instrucciones. Además de las instrucciones básicas de instalación y puesta a punto del RCC-1055, incluye información de gran valor sobre las diferentes configuraciones que permite el aparato, así como información general que le ayudará a optimizar las prestaciones de su sistema. Le rogamos asimismo que contacte con su distribuidor autorizado de Productos Rotel para cualquier duda o consulta que se le pueda plantear. No le quepa la menor duda de que todos sus comentarios y observaciones serán tenidos en cuenta.

NOTA: Hay dos tornillos que sujetan la bandeja de carga para que se mantenga en su lugar durante el transporte del RCC-1055. Dichos tornillos tienen asas de plástico de color rojo que facilitan su identificación y extracción. Coloque suavemente el RCC-1055 de manera que se apoye sobre uno de sus paneles laterales y gire los tornillos en sentido antihorario para quitarlos. Si no quita los tornillos, la bandeja de transporte no se abrirá.



Si se ha olvidado de quitar los tornillos antes de intentar poner en marcha el RCC-1055, desconecte el aparato y desenchufe el cable de alimentación de la red eléctrica. A continuación, quite los tornillos tal y como se acaba de explicar.

Guarde los tornillos en un lugar seguro ya que deberán ser colocados de nuevo en su lugar cuando desplace el RCC-1055. Antes de proceder al desplazamiento del RCC-1055, quite todos los discos que haya en la bandeja de transporte y cierre esta última. Espere hasta que el visualizador de funciones muestre "00 00:00" y a continuación desactive el aparato y desenchufe el cable de alimentación de la red eléctrica.

Guarde el embalaje del RCC-1055 y todo el material en él contenido para un posible uso futuro del mismo. El embalaje o transporte del RCC-1055 en condiciones diferentes de las originales puede provocar serios daños en su amplificador.

El RCC-1055 está diseñado para reproducir discos compactos que incorporen este logotipo de identificación. Por tanto, no debe ser utilizado ningun otro tipo de disco.



Antes de cambiar de sitio el RCC-1055, saque todos los discos contenidos en su bandeja de transporte. De este modo se podrá evitar que se produzcan daños como consecuencia del cambio de posición de los discos en el interior del aparato.

Mantenga la bandeja de transporte cerrada excepto cuando ponga o saque discos. De este modo evitará que se deposite polvo en el ultrasensible cabezal de lectura láser.

Rellene y envíe la tarjeta de garantía suministrada junto con el RCC-1055. Asegúrese asimismo de mantener en su poder la factura de compra puesto que es la mejor manera de que usted se acuerde de la fecha de compra, un dato esencial en caso de que necesitara asistencia técnica durante el período de garantía.

HDCD, High Definition Compatible Digital y Pacific Microsonics son o bien marcas o bien marcas registradas de Pacific Microsonics, Inc. en Estados Unidos y/o otros países. El sistema HDCD es fabricado bajo licencia de Pacific Microsonics, Inc. Este producto está cubierto por una o más de las siguientes patentes: 5.479.168, 5.638.074, 5.640.161, 5.808.574, 5.838.274, 5.854.600, 5.864.311 y 5.872.531 en Estados Unidos y 669.114 en Australia. Hay otras patentes pendientes.

Colocación

Al igual que el resto de componentes de audio que manejan señales de bajo nivel, el RCC-1055 puede verse afectado por su entorno. Para minimizar la probabilidad de que el RCC-1055 capte zumbidos o interferencias, no lo coloque encima de un amplificador ni de ningún otro componente que incluya un transformador de alimentación de grandes dimensiones. Por la misma razón, mantenga el RCC-1055 lejos de componentes que incluyan motores. No coloque el RCC-1055 en lugares en los que vaya a estar expuesto a la luz solar directa. Ya para finalizar, no utilice el RCC-1055 en lugares donde la temperatura sea superior a 35 grados centígrados o inferior a 5 grados centígrados. En caso de que el RCC-1055 sea trasladado de un ambiente frío a uno más cálido, es posible que se forme condensación en sus componentes ópticos, lo que impedirá el correcto funcionamiento del aparato. No utilice el RCC-1055 hasta, por lo menos, 30 minutos después de haber sido trasladado desde un ambiente frío.

Le recomendamos que instale el RCC-1055 en muebles diseñados especialmente para componentes de audio. Dichos muebles han sido concebidos para reducir o suprimir vibraciones susceptibles de afectar negativamente la calidad del sonido. Consulte con su distribuidor autorizado de productos Rotel para que le aconseje tanto sobre el mueble más apropiado como sobre la instalación en el mismo de los componentes de su equipo.

Cables

Asegúrese de mantener alejados entre sí los cables de alimentación, digitales y de modulación de su equipo. De este modo se minimizarán las posibilidades de que la señal de audio se vea afectada por ruido o interferencias procedentes de los cables digitales o de alimentación. El uso exclusivo de cables apantallados de alta calidad también contribuirá a prevenir la entrada de ruido o interferencias susceptibles de degradar la calidad sonora de su equipo. Si tiene alguna pregunta que realizar al respecto, le recomendamos que visite a su distribuidor autorizado de productos Rotel para que le aconseje los cables más adecuados para su sistema.

Manejo de Discos Compactos

Maneje cuidadosamente los discos compactos. Sujételos, tal como se muestra en la figura, por su contorno y evite tocar la superficie grabada.



Limpie cuidadosamente tanto el polvo como las huellas digitales de la superficie del disco (concretamente la parte más brillante) con una gamuza suave. Efectúe la operación de limpieza desplazando la gamuza en línea recta desde el interior hasta el exterior del disco (es decir en movimiento radial).

No utilice nunca productos químicos, como por ejemplo aerosoles para la limpieza de discos de vinilo, aerosoles o fluidos antiestáticos o gasolina para limpiar discos compactos ya que dañarán la superficie de plástico de los mismos.

Guarde los discos en su caja cuando no vaya a utilizarlos a fin de protegerlos del polvo y las rayaduras. No exponga los discos compactos a la acción de la luz solar directa o a elevados niveles de humedad o calor durante largos períodos de tiempo.

Alimentación y Control

Toma de Corriente Eléctrica 18

Su RCC-1055 está configurado en fábrica para que trabaje con la tensión de red correcta que corresponda al país en el que ha sido comprado (115 ó 230 voltios de corriente alterna con una frecuencia de 50 ó 60 Hz). Dicha configuración está indicada en un lugar visible del panel posterior del aparato.

Nota: En caso de que tuviese que trasladar su RCC-1055 a otro país, es posible reconfigurarlo para que pueda trabajar con tensiones de red diferentes de la establecida en fábrica. No intente llevar a cabo esta conversión por su cuenta. El acceso al interior del RCC-1055 le expondrá a tensiones peligrosas. Para cualquier información al respecto, le rogamos que contacte con personal cualificado o llame al departamento de asistencia técnica postventa de Rotel.

El RCC-1055 debería ser conectado directamente a una toma de corriente polarizada de dos clavijas o a una toma de corriente alterna conmutada ("switched") de otro componente de su sistema de audio. No utilice ningún cable de extensión.

Asegúrese de que el interruptor de puesta en marcha del panel frontal del RCC-1055 está desactivado (posición "hacia fuera"). A continuación, conecte uno de los extremos del cable de alimentación suministrado de serie al receptáculo correspondiente situado en su panel posterior y el otro a una toma de corriente eléctrica.

Si va a estar fuera de su casa durante un largo período de tiempo -por ejemplo las vacaciones de verano-, le recomendamos, como precaución básica, que desconecte su lector de discos compactos (así como el resto de componentes de audio y vídeo de su equipo) de la red eléctrica.

Conmutador 1 e Indicador Luminoso de Puesta en Marcha 2

El Conmutador de Puesta en Marcha está ubicado en la parte izquierda del panel frontal del RCC-1055. Púlselo para poner en marcha el aparato. Para desconectar el RCC-1055, basta con que pulse de nuevo el mencionado botón a fin de que éste regrese a su posición inicial (es decir hacia fuera).

Nota: Si va a utilizar una toma de corriente conmutada para activar y desactivar su lector de discos compactos, debería dejar siempre activado (posición "on", es decir "hacia dentro") el conmutador de puesta en marcha. De este modo, cada vez que el aparato reciba energía eléctrica el mismo se situará en su modo activo.

Conexiones de Salida

El RCC-1055 le permite escoger entre un amplio abanico de señales de salida analógicas o digitales. La señal de salida analógica procedente de los circuitos de conversión D/A internos se utiliza conjuntamente con componentes de audio analógicos convencionales mientras que la salida digital, que suministra una señal de datos digitales no procesada, se utiliza conjuntamente con convertidores D/A o procesadores digitales externos.

Nota: Para evitar que se produzcan ruidos susceptibles de ser percibidos por usted o sus cajas acústicas, asegúrese de que su lector de discos compactos está desactivado cuando esté llevando a cabo las distintas conexiones.

Salidas Analógicas 13

(Ver Figura 4 para la realización de las conexiones pertinentes)

Un par de conectores RCA estándar permiten enviar una señal de salida analógica convencional no balanceada desde el RCC-1055 a las correspondientes entradas de un preamplificador, amplificador integrado o receptor de audio. Las conexiones RCA se pueden encontrar en prácticamente cualquier componente de audio. Conecte el canal de salida izquierdo del RCC-1055 a la correspondiente entrada de fuente del canal izquierdo del preamplificador, receptor o amplificador integrado de audio y repita la operación con el canal derecho.

Salida Digital 17

(Ver Figura 6 para la realización de las conexiones pertinentes)

Si usted piensa utilizar el RCC-1055 como mecánica de transporte independiente conjuntamente con un convertidor D/A externo u otro procesador digital, necesitará disponer de una señal de datos digitales no procesada (es decir que no haya pasado por los circuitos de conversión D/A del aparato) procedente del RCC-1055. Esta señal es suministrada por la toma de salida digital coaxial situada en el panel posterior del aparato. Utilizando un cable digital coaxial estándar de 75 ohmios de impedancia característica, conecte la salida digital del RCC-1055 al conector digital de entrada correspondiente del convertidor D/A externo.

Mando a Distancia

El RCC-1055 es suministrado de serie con un mando a distancia RR-D92. Cuando utilice el RR-D92, el emisor de rayos infrarrojos situado en la parte frontal del mando debe apuntar hacia el panel frontal del RCC-1055. Las funciones de reproducción básicas del aparato son controladas por el botón ubicado cerca de la parte frontal del RR-D92. En la zona inferior del mando hay una cubierta deslizante que oculta los botones encargados de controlar las funciones secundarias, como por ejemplo la programación, la exploración de discos y la selección directa de discos.

El RR-D92 duplica las funciones básicas de control de la lectura ejecutadas por los botones del panel frontal. Cuando un control de la lectura de discos figura simultáneamente en el panel frontal y el mando a distancia, los correspondientes identificadores se reseñarán en el texto en el que se comente la función afectada. Por ejemplo, para reproducir un disco usted puede pulsar el botón 9 del panel frontal o el 20 del mando a distancia. Hay algunas funciones, como por ejemplo las relacionadas con la reproducción programada de pistas, que se gobiernan exclusivamente desde el RR-D92.

Sensor de Control Remoto 4

El Sensor de Control Remoto captura las señales de rayos infrarrojos procedentes del mando a distancia. No lo cubra ni bloquee de ningún modo ya que en ese caso no funcionará adecuadamente. El funcionamiento del Sensor de Control Remoto también puede verse afectado si es expuesto a luz brillante, en particular si se trata de luz solar. Algunos tipos de iluminación artificial, como por ejemplo las luces halógenas, que emiten una notable cantidad de luz infrarroja, también pueden interferir en el correcto funcionamiento del sensor. Por otro lado, también es muy posible que las funciones de control del mando a distancia no actúen correctamente si las pilas de este último están a punto de agotarse.

Entrada para Control Remoto Externo 16

Este conector ha sido diseñado para ser utilizado conjuntamente con sensores de infrarrojos Xantech Video Link (que se venden separadamente por instaladores de sistemas personalizados). Esta prestación le permite gobernar el RCC-1055 con el mando a distancia suministrado de serie incluso si el aparato está instalado en un lugar fuera del campo visual de su posición de escucha. Para más información, contacte con su distribuidor autorizado de productos Rotel.

Video Link y Xantech son Marcas Registradas de Xantech Corporation.

Pilas del Mando a Distancia

Las pilas suministradas de serie deben instalarse antes de utilizar el mando a distancia. Deslice la cubierta secundaria del mando hasta que se detenga. A continuación pulse suavemente el pequeño símbolo triangular situado sobre la cubierta y deslice esta última hasta que las pilas estén a la vista. Instale las baterías con los terminales dispuestos en la orientación indicada en el compartimento que las alberga. Pruebe

el mando a distancia para verificar su correcto funcionamiento y a continuación vuelva a colocar la cubierta en su lugar. Cuando las pilas empiecen a agotarse, es posible que el mando a distancia no controle adecuadamente el RCC-1055. La instalación de pilas nuevas debería eliminar este problema.

Nota: Saque las pilas del mando a distancia si no piensa utilizar este último durante un largo período de tiempo. No deje que las pilas permanezcan en el interior del mando a distancia. Las pilas agotadas pueden desprender productos químicos corrosivos que dañarán el mando.

Entrada para Señal de Disparo de 12 Voltios 15

El RCC-1055 puede ser activado por una señal de disparo de 12 voltios. La entrada para señal de disparo acepta cualquier señal de control (tanto si es alterna como continua) de valor comprendido entre 3 voltios y 30 voltios. Cuando se conecta un cable a la entrada de 12V y en la misma está presente una señal de disparo, el RCD-1070 se activará. Cuando la señal de disparo sea desactivada, el aparato se situará en la posición de espera ("standby"). El indicador luminoso de puesta en marcha del panel frontal permanecerá activado pero el visualizador de funciones se apagará y el aparato dejará de funcionar.

Nota: Cuando utilice la señal de disparo de 12V, deje el botón de PUESTA EN MARCHA ("POWER") en la posición ON.

Conector de Entrada/Salida para Ordenador 14

El RCC-1055 puede ser gobernado desde un ordenador personal equipado con software de control de sistemas de audio desarrollado por marcas específicamente dedicadas a ello. Este control se lleva a cabo enviando los códigos operativos normalmente enviados por el mando a distancia RR-D92 a través de una conexión en red por cable desde el ordenador.

La entrada COMPUTER I/O proporciona la conexión necesaria para ello en el panel posterior del RC-1090. Acepta clavijas modulares RJ-45 de 8 patillas idénticas a las utilizadas comúnmente en el cableado de redes Ethernet 10-BaseT UTP.

Contacte con su distribuidor autorizado de productos Rotel para recibir información adicional sobre las conexiones, el software y los códigos operativos necesarios para controlar el RCC-1055 desde un ordenador.

Carga de Discos Compactos

Bandeja de Transporte **8** y Botones de Apertura/Cierre **6** y **19**

Pulse el botón Open/Close del panel frontal o el mando a distancia para abrir la Bandeja de Transporte. Coloque discos en los huecos numerados del Carrusel con la cara de la etiqueta orientada hacia arriba. Asegúrese de que los discos están perfectamente centrados en los huecos del Carrusel. Pueden cargarse discos compactos estándar tanto de 12 como de 8 centímetros de diámetro. Al respecto, hay en el Carrusel una zona separada para ubicar discos de 8 centímetros. Una vez abierta la bandeja de transporte, pueden colocarse discos en las tres posiciones disponibles en la parte frontal de la misma. Para cargar discos en las posiciones restantes, pulse el botón Disc Skip **7** **24** para hacer girar el Carrusel. Pulse de nuevo el botón Open/Close para cerrar la Bandeja de Transporte una vez que usted haya finalizado la carga de los discos.

Nota: No empuje manualmente la Bandeja de Transporte ya que podrían producirse daños en el sistema de transporte. Utilice para ello los botones Open/Close. No toque el Carrusel cuando esté girando ni intente girarlo manualmente ya que también podrían producirse daños en el sistema de transporte. Utilice los botones Disc Skip y detenga el Carrusel antes de cargar o quitar discos.

El RCC-1055 también le permite cargar discos durante la lectura de uno de ellos. Pulse el botón Open/Close para abrir la Bandeja de Transporte. Tres de las cuatro posiciones de carga disponibles estarán listas para ser utilizadas. Para acceder a la posición restante, pulse el botón Disc Skip. La Bandeja de Transporte girará para permitir el acceso a la posición restante. Pulse de nuevo el botón Open/Close para cerrar la Bandeja de Transporte una vez se haya efectuado la carga de los discos.

Botones Disc Skip (Salto de Disco) **7** y **24**

Los botones Disc Skip realizan dos funciones, siendo la primera de ellas activar, tal y como se describe en el apartado anterior, la rotación del Carrusel durante la carga de discos.

Nota: No gire nunca el Carrusel manualmente; utilice para ello el botón Disc Skip. No toque el carrusel mientras esté girando.

La otra función del botón Disc Skip es seleccionar el disco a reproducir. Cada vez que se pulsa el botón Disc Skip se selecciona el número de disco inmediatamente superior. Así, si ha seleccionado el disco 5, la pulsación de Disc Skip provocará la selección del disco 1.

La pulsación del botón Disc Skip cuando no se está reproduciendo ningún disco provoca la selección del disco siguiente. Si se pulsa el botón Disc Skip mientras se está reproduciendo un disco, el RCC-1055 interrumpe la lectura de dicho disco, selecciona el disco siguiente e inicia la reproducción del mismo en su primera pista.

Selección del Disco a Reproducir

Además de los botones Disc descritos anteriormente, para seleccionar discos también puede utilizarse el mando a distancia.

Botones Disc 1-5 **27**

(sólo en el mando a distancia)

Pulse el botón correspondiente al disco que usted quiera seleccionar. La pulsación de uno de los botones Disc 1-5 cuando no se esté reproduciendo ningún disco simplemente selecciona dicho disco. Si se pulsa uno de los botones Disc 1-5 cuando se esté reproduciendo dicho un disco, el RCC-1055 interrumpe la lectura del mismo, selecciona el disco siguiente e inicia la reproducción del mismo en su primera pista.

Reproducción de Discos

Botones Play **9** y **21**

Pulse el botón Play para reproducir el disco indicado en el visualizador de funciones. El disco empezará a leerse por la pista 1 a menos que se haya seleccionado otro número de pista antes de pulsar el botón Play.

A menos que hayan sido seleccionadas las funciones de Lectura Repetida (Repeat Play):

- Una vez reproducida la última pista de los discos 1 a 4, se selecciona el disco siguiente y la lectura continúa con la pista 1 del mismo.
- La lectura se detiene al final del disco 5.

Para más información, diríjase a la sección dedicada a la lectura Repetida.

Botón Pausa **11** **22**

Pulse el botón Pause para detener temporalmente la lectura del disco. Pulse de nuevo el citado botón, o el botón Play, para reanudar la lectura del disco en la misma pista e instante.

Botón Stop **10** **26**

Pulse el botón Stop para detener la lectura del disco. El disco permanecerá seleccionado pero la selección de pistas se situará de nuevo en la pista 1.

Botones Track Skip (Salto de Pista) **12** **20**

Cuando no se esté reproduciendo ningún disco:

- Pulse el botón **▶▶** para seleccionar la siguiente pista del disco. Pulse y mantenga pulsado dicho botón para avanzar más de una pista en el disco.
- Pulse el botón **◀◀** para seleccionar la pista anterior del disco. Pulse y mantenga pulsado dicho botón para retroceder más de una pista en el disco.

Cuando se esté reproduciendo un disco:

- Pulse el botón **▶▶** para saltar el resto de la pista que esté siendo reproducida e iniciar la lectura en el inicio de la siguiente pista del disco. Pulse y mantenga pulsado dicho botón para avanzar más de una pista en el disco.
- Pulse el botón **◀◀** para volver al principio de la pista que esté siendo reproducida. Pulse y mantenga pulsado dicho botón para retroceder más de una pista en el disco.

Botones de Selección de Pista **28**

(sólo en el mando a distancia)

Para seleccionar una pista específica de un disco, pulse los correspondientes Botones de Selección de Pista. La pista seleccionada empezará a reproducirse de inmediato. Para seleccionar pistas cuyo número sea igual o superior a 10, utilice el botón ">10". Por ejemplo, para reproducir la pista 17 pulse el botón ">10" y a continuación el botón 7. Nota: Cuando el RCC-1055 está en el modo de Reproducción Programada, los botones de Selección de Pista son utilizados para seleccionar pistas que se desee añadir al programa. Para más información, diríjase a la sección dedicada a la Reproducción Programada de Discos.

Botones Search (Búsqueda) **23**

(sólo en el mando a distancia)

Pulse y mantenga pulsados los botones ►► o ◀◀ para buscar respectivamente un punto concreto de un disco en dirección directa o inversa. Durante los primeros cinco segundos, la velocidad de búsqueda será aproximadamente cuatro veces la velocidad normal de lectura. Al cabo de tres segundos, la velocidad de búsqueda se incrementará hasta llegar a ser aproximadamente 20 veces la velocidad normal de lectura. Mientras se utilice la función de Búsqueda, el nivel de volumen será reducido. La función de Búsqueda puede ser utilizada cuando la reproducción del disco haya sido detenida temporalmente mediante la función Pausa aunque en este caso no se oirá ningún sonido. La función de Búsqueda dejará de ser efectiva fuera de los límites marcados por el inicio el final del disco seleccionado.

Acerca del HDCD® **3**

Los discos HDCD son codificados en un tren de datos de alta densidad. Durante su reproducción, este tren de datos de alta densidad es decodificado en una señal digital convencional. Este sistema de codificación/decodificación del HDCD reduce sustancialmente los errores que normalmente se generan durante, en primer lugar, la conversión de analógico a digital y, posteriormente, en la conversión de digital a analógico. El sistema HDCD se activa de forma completamente automática cuando se reproduce un disco HDCD, momento en el que se activará el indicador luminoso **3**.

Panel de Visualización **5**

Los Indicadores de Disco **A** muestran las posiciones de la Bandeja de Transporte que contienen discos.

El Indicador Play **B** se activa siempre que se esté reproduciendo un disco.

El indicador Pause **C** se activa cuando la lectura de un disco se detiene temporalmente con el botón Pause.

El Indicador de Selección de Disco **D** suele mostrar el número del disco seleccionado en ese momento. Si se ha seleccionado la opción de visualización del Tiempo de Lectura Restante del Disco, el Indicador de Selección de Disco cambia a "-". Para más información, diríjase a la sección dedicada a la Visualización de Tiempo.

El Indicador de Pista **E** muestra o bien la pista seleccionada o bien el número total de pistas del disco o bien el número de pistas restantes del disco. Para más información, diríjase a la sección dedicada al Botón de Tiempo.

Se activará uno de los Indicadores de Modo de Reproducción Repetida **F** cuando se seleccione una de las opciones de lectura repetida. Para más información, diríjase a la sección dedicada al Botón de Reproducción Repetida.

El Indicador de Reproducción Aleatoria **G** se activa cuando está siendo utilizada una de las opciones de lectura aleatoria. Para más información, diríjase a la sección dedicada a la Reproducción Aleatoria.

El Indicador de Reproducción Programada **H** se activa siempre y cuando se haya activado la función de reproducción programada. Para más información, diríjase a la sección dedicada a la Reproducción Programada.

El Indicador de Exploración Introductoria **I** se activa cuando se hace lo propio con la función de Exploración Introductoria. Para más información, diríjase a la sección de Exploración Introductoria.

El Indicador de Tiempo Restante **J** se activa cuando se hace lo propio con una de las diferentes funciones de visualización de tiempo disponibles. Para más información, diríjase a la sección dedicada a la Visualización de Tiempo.

El Visualizador de Tiempo **K** muestra o bien el tiempo total de lectura del disco seleccionado, o bien la cantidad de tiempo transcurrido de la pista que se está reproduciendo, o bien el tiempo restante de la pista que se está reproduciendo o bien el tiempo restante del disco que se está reproduciendo. Para más información, diríjase a la sección dedicada al Botón Tiempo.

La Visualización del Calendario de Pistas **L** muestra el número total de pistas del disco que se está reproduciendo y la pista que se está reproduciendo en ese momento. Si el disco seleccionado contiene más de 16 pistas, se activará el Indicador de Pista Adicional **M**.

Cuando se selecciona un disco, la Visualización del Calendario de Pistas muestra el número total de pistas del disco. El número de pista correspondiente al tema que se esté reproduciendo parpadeará. Una vez que una pista haya sido completamente leída, el número correspondiente desaparecerá de la visualización. Si el disco seleccionado contiene más de 16 pistas, una vez reproducida la pista 16 el indicador **M** parpadeará. El Indicador de Pista muestra, en función de cual sea el modo de Visualización de Tiempo seleccionado, el número de la pista que esté siendo reproducida o el número de pistas restante.

Cuando se reproduzcan pistas programadas, solamente se activará(n) el(los) número(s) correspondientes a la pista(s) programada(s). El número correspondiente a la pista que se esté reproduciendo parpadeará y desaparecerá de la visualización cuando la lectura de la misma haya finalizado. Para más información, diríjase a la sección dedicada a la Reproducción Programada.

Botón de Visualización de Tiempo **25**

(sólo en el mando a distancia)

Cuando un disco ha sido seleccionado pero no es reproducido, la Visualización de Tiempo muestra la duración total del disco y el número de pistas contenidas en el mismo. Cuando se está reproduciendo un disco, la Visualización de Tiempo muestra el número de pista y la cantidad de tiempo de la misma que ha estado reproduciéndose. Pulse el botón de Visualización de Tiempo para cambiar el modo de Visualización de Tiempo/Pista.

Modo Individual/Restante

Pulse el botón Time una sola vez para seleccionar el modo Individual/Restante. El Indicador de Tiempo Restante se activa. El Indicador de Pista muestra la cantidad de tiempo restante de la pista que se esté reproduciendo.

Modo Total/Restante

Pulse de nuevo el botón Time para seleccionar el modo Total/Restante. El Indicador de Tiempo Restante permanece activado. El Indicador de Pista muestra el número de pistas que faltan para ser reproducidas. El Visualizador de Disco cambia desde el número correspondiente al disco que se está reproduciendo a "-". La Visualización de Tiempo muestra la cantidad de tiempo que falta para finalizar el disco.

La pulsación del botón Tiempo cuando se ha seleccionado el modo Total/Restante hace que la Visualización de Tiempo/Pista regrese al modo de Visualización Normal. La Visualización Tiempo/Pista también regresa al modo de visualización normal cuando la lectura del disco se detiene y es iniciada de nuevo.

Botón de Reproducción Repetida 29

(sólo en el mando a distancia)

Normalmente, los discos 1 a 5 se reproducen secuencialmente y la reproducción se detiene al final del disco número 5. Pulse el botón Repeat Play para seleccionar el modo de Repetición de 1 Pista. Púlselo de nuevo para seleccionar el modo de Repetición de 1 Disco. Púlselo de nuevo para seleccionar el modo de Repetición de Todos los Discos. Púlselo una vez más para regresar al modo de reproducción normal del disco. Las funciones de Reproducción Repetida pueden activarse o desactivarse en cualquier momento, incluso cuando se está reproduciendo un disco.

Repetición de 1 Pista ("Repeat 1 Track")

Cuando se selecciona la Función de Repetición de 1 Pista se activan los indicadores luminosos "Repeat" y "1" del Visualizador de Funciones. Si la citada función es seleccionada cuando no se esté reproduciendo ningún disco, se repite la pista que es seleccionada cuando se pulsa el botón de lectura. Si la Función de Repetición de 1 Pista es seleccionada mientras se reproduce una pista, dicha pista sigue reproduciéndose y a continuación es repetida.

Los botones de Salto de Pista ("Track Skip") funcionan normalmente cuando se selecciona la opción de Repetición de 1 Pista. Si selecciona una nueva pista con los botones de Salto de Pista, la misma es repetida hasta que se desactiva la opción de Reproducción Repetida. Los botones de Búsqueda ("Search") funcionan normalmente cuando se selecciona la opción de Repetición

de 1 Pista. Usted puede buscar hacia delante desplazándose a la siguiente pista y hacia atrás yendo a la pista anterior. A continuación, la nueva pista será repetida.

Si se está utilizando la función de Lectura Programada, la opción de Repetición de 1 Pista no puede ser seleccionada.

Repetición de 1 Disco ("Repeat 1 Disc")

Cuando se selecciona la Función de Repetición de 1 Disco se activan los indicadores luminosos "Repeat", "1" y "Disc" del Visualizador de Funciones. Si la citada función es seleccionada cuando no se esté reproduciendo ningún disco, el disco que es seleccionado cuando se pulsa el botón de lectura se repite a partir de la pista 1. Una vez reproducida la última pista del disco, la reproducción proseguirá con la pista 1 del mismo. Si la Función de Repetición de 1 Disco es seleccionada mientras se reproduce una pista, dicha pista sigue reproduciéndose. Una vez reproducida la última pista del disco, la reproducción proseguirá con la pista 1 del mismo.

Repetición de Todos los Discos ("Repeat All Discs")

Cuando se selecciona la Función de Repetición de Todos los Discos se activan los indicadores luminosos "Repeat All Disc" del Visualizador de Funciones. Todas las pistas de todos los discos se reproducirán de manera secuencial, empezando con la pista que sea seleccionada o se esté reproduciendo. Una vez que se haya reproducido la última pista del disco 5, se procederá a la reproducción de la pista 1 del disco 1. Todos los discos seguirán reproduciéndose secuencialmente hasta que se desactive la Función de Repetición de Todos los Discos.

Las Funciones de Salto de Disco y Búsqueda de Disco funcionarán normalmente cuando se active la Función de Repetición de Todos los Discos.

Si se está utilizando la función de Reproducción Programada, las pistas programadas se reproducirán secuencialmente. Cuando se haya reproducido la última pista programada, la reproducción proseguirá con la primera pista programada. Para más información, diríjase a la sección dedicada a la Reproducción Programada.

Las Funciones de Salto de Disco y Búsqueda de Disco funcionarán normalmente cuando se esté utilizando la Función de Repetición de Todos los Discos.

Botón de Reproducción Aleatoria ("Random Play") 30

(sólo en el mando a distancia)

La función de Reproducción programada selecciona de modo aleatorio las pistas a reproducir. Pulse el botón Random para activar dicha función. Púlselo de nuevo para desactivarla. Cuando la Reproducción Aleatoria esté activada, el Indicador Luminoso Random G del visualizador de funciones permanecerá activado.

Si la Reproducción Aleatoria es activada cuando no se esté reproduciendo ningún disco, se seleccionará aleatoriamente una pista cuando se pulse el botón Play. Si se está reproduciendo un disco cuando se active la Reproducción Aleatoria, se seleccionará inmediatamente y de modo aleatorio otra pista, cuya reproducción se iniciará también de inmediato.

La función de Reproducción Aleatoria puede ajustarse para que seleccione únicamente pistas de un solo disco. Cuando no se esté reproduciendo ningún disco, pulse el botón de Reproducción Aleatoria 30, y a continuación seleccione el número del disco para seguidamente seleccionar pistas del mismo con los botones de selección de disco 27. Cuando usted pulse el botón de reproducción, se seleccionarán aleatoriamente pistas del disco seleccionado.

Si se pulsa el botón de Salto de Pista hacia Delante ▶▶ cuando un disco se está reproduciendo y la Reproducción Aleatoria está activada, se selecciona inmediatamente, y de modo aleatorio, otra pista. Si se pulsa el botón de Salto de Pista hacia Detrás ◀◀ cuando un disco se está reproduciendo y la Reproducción Aleatoria está activada, se vuelve a reproducir la misma pista desde el principio.

La función de Búsqueda hacia Delante ▶▶ funciona normalmente cuando se activa la reproducción Aleatoria. Si usted realiza una búsqueda hacia el final de una pista, se selecciona aleatoriamente otra pista. El botón de Búsqueda en Sentido Inverso ◀◀ le permitirá buscar hacia atrás hasta llegar al inicio de la pista que esté reproduciéndose.

La Reproducción Aleatoria puede utilizarse conjuntamente con la Reproducción Programada. Si se activa la Reproducción Aleatoria después de programar un grupo de pistas, dichas pistas se reproducirán en un orden aleatorio. Nota: Con el fin de poder utilizar de

manera conjunta las dos funciones citadas, la Reproducción Aleatoria debe activarse después de programar las pistas. Si la Reproducción Aleatoria es activada, la función de Reproducción Programada no puede ser seleccionada.

Si la función de Repetición de 1 Pista o de Repetición de 1 Disco está activada, será desactivada cuando se active la Reproducción Aleatoria. Las funciones de Reproducción Aleatoria y de Repetición de Todos los Discos pueden ser utilizadas de manera conjunta.

Botón de Exploración Introdutoria ("Intro Scan") **31**

(sólo en el mando a distancia)

La función de Exploración Introdutoria le permite escuchar una pequeña parte del principio de las pistas de cada disco. Pulse el botón Scan para activar la función de Exploración Introdutoria. Púlselo de nuevo, o pulse el botón Stop, para desactivarla. Mientras la función de Exploración Introdutoria esté activada, el indicador Intro **H** del visualizador de funciones permanecerá activado.

Si la Reproducción Programada no está siendo utilizada, se reproducirán secuencialmente los primeros 10 segundos de cada una de las pistas de cada disco a partir de la pista seleccionada en ese momento. Una vez reproducidos los primeros 10 segundos de la última pista del disco número 5, la Exploración Introdutoria concluirá. Si se está utilizando la Reproducción Programada, se reproducirán los primeros 10 segundos de cada pista programada, empezando con la que haya sido seleccionada en ese momento. Una vez reproducidos los 10 primeros segundos de cada pista programada, la Exploración Introdutoria concluirá.

Si se activa la Exploración Introdutoria cuando no se esté reproduciendo ningún disco, la exploración se iniciará con la pista que haya sido seleccionada. Si se está reproduciendo un disco cuando se active la Exploración Introdutoria, el RCC-1055 saltará a la pista siguiente y reproducirá los 10 primeros segundos de la misma y de las pistas que vengan a continuación. Hay, no obstante, una excepción: la activación de la función de Exploración Introdutoria durante los 10 primeros segundos de una pista en curso de reproducción. En este caso se reproducen los segundos restantes de dicha pista hasta llegar a 10. A continuación, el RCC-1055 salta a la pista siguiente y prosigue su exploración.

La función de Exploración Introdutoria interactúa con la Reproducción Aleatoria, la Reproducción Programada y la Reproducción Repetida, que raramente se utilizarán de manera combinada. Por ejemplo, si se activan simultáneamente la Exploración Introdutoria y la Reproducción Repetida, se reproducirán continuamente y de manera secuencial los primeros 10 segundos de cada disco. Si se activan simultáneamente la Exploración Introdutoria y la Reproducción Aleatoria, se reproducirán los primeros 10 segundos de las pistas seleccionadas aleatoriamente. Si se activan simultáneamente la Exploración Introdutoria y la reproducción programada, entonces se reproducirán de manera secuencial los 10 primeros segundos de cada pista programada. Si también está activada la Reproducción Repetida, entonces se reproducirán de manera secuencial y continua los primeros 10 segundos de cada pista programada. Es posible también establecer otras combinaciones de funciones aunque raramente serán utilizadas.

Reproducción Programada de Discos

Pueden seleccionarse hasta 32 pistas, pertenecientes a cualquier combinación de los discos cargados, para su reproducción. Una vez que haya sido programado un grupo de pistas, las mismas son reproducidas en el mismo orden. Todas las funciones de programación y de reproducción programada se realizan con el mando a distancia.

Botón Program **32**

(sólo en el mando a distancia)

El Botón Program es utilizado para activar y desactivar la función de Reproducción Programada. Cuando se activa la Reproducción Programada, se activará simultáneamente el Indicador Luminoso **H** de Programa del visualizador de funciones.

Una vez programado un determinado conjunto de pistas, sólo se podrán reproducir dichas pistas hasta que se desactive la función de Reproducción Programada. Pulse el Botón Program para desactivar la Reproducción Programada, borrar las pistas programadas y regresar al modo de reproducción estándar. También se borran las pistas programadas cuando se abre la Bandeja de Transporte o cuando se corta el suministro eléctrico.

Programación de Pistas

Programación Mientras Se Está Reproduciendo un Disco

Pulse el Botón de Reproducción Programada **32**; el Indicador Luminoso de Programa **H** del visualizador de funciones se activará. La pista que se está reproduciendo cuando se pulsa el Botón Program se convierte en la primera selección programada. El visualizador de Tiempo **K** muestra brevemente "P-01" para indicar que la pista es ahora la selección programada número 1. Si la segunda pista que usted desea añadir a la lista para reproducción programada está en el mismo disco, utilice los botones de Selección de Pista **28** para seleccionarla. Si la segunda pista que usted desea añadir a la lista para reproducción programada está en un disco diferente, utilice los botones de Selección de Disco **27** para seleccionar el disco siguiente. Las visualizaciones de Pista y Tiempo cambiarán para indicar que se ha efectuado otra selección. El visualizador de Tiempo **K** muestra brevemente "P-02" para indicar que la pista es ahora la selección programada número 2. Continúe seleccionando nuevos discos (en caso de que sea necesario) y pistas hasta que haya programado todas las pistas que desee. A continuación pulse el botón Play para iniciar la reproducción de las pistas programadas.

Ejemplo de Programación

Mientras se está reproduciendo la Pista 7 del Disco 4...

Pulse

Acción

Botón Program

La Pista 7 del Disco 4 se convierte en la selección 1

Botón Track 3

La Pista 3 del Disco 4 se convierte en la selección 2

Botón Disc 2 y después Track 6

La Pista 6 del Disco 2 se convierte en la selección 3

Botones Track >10 y después Track 1

La Pista 11 del Disco 2 se convierte en la selección 4

Botón Disc 5 y después Track 9

La Pista 9 del Disco 5 se convierte en la selección 5

Botón Track 7

La Pista 7 del Disco 5 se convierte en la selección 6

Botón Track 4 La Pista 4 del Disco 5 se convierte en la selección 7

Botón Disc 1 y después Track >10 y 2
La Pista 12 del Disco 1 se convierte en la selección 8

Botón Track 10
La Pista 10 del Disco 1 se convierte en la selección 9

Programación Mientras No Se Está Reproduciendo Ningún Disco

Pulse el botón de Reproducción Programada **32**; el Indicador Luminoso de Programa **H** del visualizador de funciones se activará. Si la pista que usted desea seleccionar en primer lugar ha sido ya seleccionada, basta con que pulse el(los) botón(es) de Selección de Pista **28** para seleccionar la primera pista. El visualizador de Tiempo **K** muestra brevemente "P-01" para indicar que la pista es ahora la selección programada número 1. Si la segunda pista que usted desea programar en primer lugar está en un disco diferente del seleccionado en ese momento, utilice los botones de Selección de Disco **27** para seleccionar el disco siguiente y a continuación seleccione la pista con los botones de Selección de Pista. Si la segunda pista que usted desea añadir a la lista para reproducción programada está en el mismo disco, utilice los botones de Selección de Pista **28** para seleccionarla. Las visualizaciones de Pista y Tiempo cambiarán para indicar que se ha efectuado otra selección. El visualizador de Tiempo **K** mostrará brevemente "P-02" para indicar que la pista es ahora la selección programada número 2. Continúe seleccionando nuevos discos (en caso de que sea necesario) y pistas hasta que haya programado todas las pistas que desee.

Ejemplo de Programación

Mientras se está reproduciendo la Pista 7 del Disco 3...

Pulse
Acción

Botón Program
Se activa el modo de Reproducción Programada

Botón Track 3
La Pista 3 del Disco 3 se convierte en la selección 1

Botón Track 7
La Pista 7 del Disco 3 se convierte en la selección 2

Botón Disc 4 y después Track >10 y 4
La Pista 14 del Disco 4 se convierte en la selección 3

Botón Disc 5 y después Track 9
La Pista 9 del Disco 5 se convierte en la selección 4

Botón Track >10 y después 2
La Pista 12 del Disco 5 se convierte en la selección 5

Botón Disc 1 y después Track 8
La Pista 8 del Disco 1 se convierte en la selección 6

Botón Disc 2 y después Track 4
La Pista 4 del Disco 2 se convierte en la selección 7

Botón Track 1
La Pista 1 del Disco 2 se convierte en la selección 8

Adición de Pistas a un Programa

En cualquier momento, incluso después de haber iniciado la reproducción de un programa, usted puede añadir pistas a la lista programada. Si la pista que desea añadir a la lista figura en el disco que está siendo reproducido, basta con que la seleccione con ayuda de los botones de Selección de Pista. O utilice los botones de Selección de Disco y de Selección de Pista para añadir al programa nuevas pistas pertenecientes a otro(s) disco(s).

Botón Review **33**

Una vez que haya sido programado un grupo de pistas, pulse el Botón Review para revisarlas. Cada vez que se pulse este botón se visualizarán la siguiente selección de pista/disco y el número de la correspondiente posición de la misma en el programa. Esta función puede utilizarse en cualquier momento, es decir cuando programe, cuando reproduzca pistas programadas o cuando reproduzca pistas no programadas. Si usted revisa las pistas programadas mientras esté programando o reproduciendo pistas programadas, el visualizador de funciones cambiará temporalmente para mostrar las selecciones programadas y a continuación regresará al modo normal.

Reproducción de Pistas Programadas

Una vez que haya programado un grupo de pistas, pulse el botón Play para empezar a reproducirlas a partir de la pista programada número 1. Las pistas seleccionadas serán reproducidas de manera secuencial hasta completar la reproducción de la última de ellas, momento en el que el disco se detendrá.

Cuando se estén reproduciendo pistas programadas, el Calendario de Pistas **L** del visualizador de funciones mostrará únicamente los números correspondientes a las pistas programadas. Asimismo, el número de la pista que se esté reproduciendo en ese momento parpadeará.

El Botón de Pausa ("Pause") funciona normalmente cuando se reproducen pistas programadas. Si usted pulsa el botón Stop durante la reproducción de pistas programadas, la lectura se reinicia con la pista programada número 1 en el momento en que se pulsa de nuevo Play.

Los botones de Salto de Pista ("Track Skip") funcionan normalmente durante la reproducción de pistas programadas. Pulse el botón **▶▶** para saltar a la siguiente pista programada. Pulse el botón **◀◀** para volver al principio de la pista que se esté reproduciendo. Pulse de nuevo el botón **◀◀** para volver a la pista programada anterior. La función de salto de pista no funcionará si se va más allá de la primera o la última pista programada, a menos que se active la función de Reproducción Repetida.

Los Botones de Búsqueda ("Search") funcionan normalmente durante la reproducción de pistas programadas. La pulsación del botón **▶▶** activa la búsqueda en sentido directo. Si usted inicia la búsqueda hasta llegar al final de la pista que esté siendo reproducida, se iniciará la reproducción de la siguiente pista que haya sido programada. Si activa la búsqueda hasta llegar al final de la última pista programada, la reproducción se detiene a menos que se active la función de Reproducción Repetida. La pulsación del botón **◀◀** iniciará la búsqueda en sentido inverso, que no obstante se detendrá al llegar al principio de la pista que se esté reproduciendo.

La función Repeat All Disc funciona normalmente durante la reproducción de pistas programadas. Por el contrario, las demás funciones de Reproducción Repetida no pueden ser seleccionadas. Cuando la función Repeat es activada, se inicia la reproducción de la primera pista programada después de reproducirse la última. De modo similar, se inicia la reproducción de la primera pista programada si usted pulsa **▶▶** cuando se está reproduciendo la última pista programada o **▶▶** hasta llegar al final de esta última.

Problemas y Posibles Soluciones

La mayoría de dificultades que suelen producirse en los sistemas de audio son el resultado de conexiones realizadas incorrectamente o ajustes inapropiados. En caso de que se encuentre con algún problema, aisle en primer lugar el área afectada, compruebe los ajustes de control realizados, determine la causa del fallo y haga los cambios necesarios. Si se ve incapaz de hacer funcionar al RCC-1055, considere las sugerencias que le damos para las siguientes condiciones:

El Visualizador de Funciones No Se Activa

Los indicadores luminosos Disc, Track y Time del visualizador de funciones deberían activarse cada vez que se pulse el conmutador de puesta en marcha del RCC-1055. Si el visualizador de funciones no se activa, pruebe la toma de corriente con otro dispositivo eléctrico, como por ejemplo una bombilla. Asegúrese de que la toma de corriente no esté controlada por un interruptor que haya sido desconectado.

Sustitución del Fusible

En el caso de que otro dispositivo eléctrico conectado a la toma anterior funcione correctamente pero el visualizador de funciones del RCC-1055 no se active cuando éste es conectado a dicha toma, significa que es muy posible que el fusible de protección interno se haya fundido. Si usted cree que ha sucedido esto, contacte con su distribuidor autorizado de productos Rotel para que le proporcione un fusible nuevo y se lo instale adecuadamente.

La Reproducción del Disco No Se Inicia

Si el disco insertado en la bandeja de transporte no empieza a reproducirse cuando se pulsa el botón Play, abra aquella y asegúrese de que el disco haya sido colocado correctamente (es decir con la cara impresa orientada hacia arriba). Si el disco ha sido colocado correctamente, inspeccione la cara grabada del mismo para determinar si está contaminada o dañada. Si el disco está sucio, límpielo tal como se describe en la sección dedicada al Manejo de Discos Compactos. Si el disco está dañado, debería sustituirlo.

No Hay Sonido

Compruebe el selector de la fuente de entrada de su amplificador para asegurarse de que está debidamente ajustado. Compruebe los conmutadores de monitorización de cinta para asegurarse de que están adecuadamente ajustados. Compruebe otras fuentes de señal para asegurarse de que el amplificador está trabajando adecuadamente. Finalmente, compruebe los cables de audio entre el RCC-1055 y el amplificador para asegurarse de que hayan sido conectados correctamente.

El Sonido Salta

Si el sonido del RCC-1055 salta o se interrumpe, es posible que el disco en curso de reproducción sea defectuoso o esté sucio. Si el disco está limpio, pruebe con otro. Si el problema persiste, es posible que sea provocado por vibraciones que alcancen el RCC-1055. Las vibraciones sonoras, en especial las procedentes de un subwoofer, pueden interferir la lectura de la superficie del disco por el haz láser. Lleve el RCC-1055 a una superficie más estable o a un lugar que esté más alejado de las cajas acústicas.

Zumbido

El zumbido es causado por interferencias eléctricas procedentes de otros dispositivos. En la mayoría de casos es captado por los cables de audio. Utilice, por tanto, cables de alta calidad. Los cables de baja calidad suelen tener un blindaje insuficiente. Compruebe que los cables están sólidamente unidos tanto al RCC-1055 como al amplificador. Intente colocar los cables de manera que estén más alejados de los otros componentes eléctricos del equipo, en particular de las etapas de potencia que contengan transformadores de gran tamaño. Otros dispositivos que suelen producir interferencias muy a menudo son las lámparas fluorescentes y los controles de los sistemas de regulación de la intensidad luminosa.

Características Técnicas

Respuesta en Frecuencia (± 0.5 dB)	20-20.000 Hz
Relación Señal/Ruido	>100 dB
Distorsión Armónica Total + Ruido	<0.0045% a 1 kHz
Distorsión por Intermodulación	<0.0045% a 1 kHz
Gama Dinámica	>96 dB
Separación entre Canales	>98 dB a 1 kHz
Balance entre Canales	± 0.5 dB
Linealidad de la Fase	$\pm 0.5^\circ$
Precisión de la Velocidad, Lloro y Témulo	Vinculadas a la Precisión del Cristal de Cuarzo utilizado
Convertidores D/A	Delta-Sigma multinivel con resolución equivalente de 18 bits, filtro digital con óctuple sobremuestreo y decodificación HDCD
Nivel Máximo/Impedencia de Salida (Linea)	2 voltios/100 ohmios
Nivel/Impedencia de Salida (Digital coaxial)	0.5 voltios de pico a pico/75 ohmios
Alimentación	
Versión para EE.UU.:	115 voltios a 60 Hz
Versión para Europa:	230 voltios a 50 Hz
Consumo	15 vatios
Dimensiones (An, Al, P)	432 x 121 x 410 mm
Altura del Panel Frontal (para montaje en rack)	109 mm
Peso Neto	7.8 kg

Todas estas características técnicas son correctas en el momento de la impresión del presente manual de instrucciones. Rotel se reserva el derecho a realizar modificaciones en las mismas sin previo aviso.

WAARSCHUWING: Om het risico op elektrische schokken of brand te vermijden: zorg dat het apparaat niet nat wordt. Verwijder de kast niet: er bevinden zich in het apparaat geen bedieningsorganen. Indien nodig waarschuw een bevoegd technicus!

EEN LAATSTE WAARSCHUWING: Om het risico op elektrische schokken te voorkomen: laat het apparaat gesloten. Iedere reparatie dient door een gekwalificeerde technicus verricht te worden.

Lees de gehele gebruiksaanwijzing. Voordat u met het apparaat gaat werken is het van groot belang dat u weet hoe u ermee om moet gaan en dat zo veilig mogelijk. Bewaar deze gebruiksaanwijzing op een plek, die u zich na verloop van tijd nog weet te herinneren.

De waarschuwingen op het apparaat en in de gebruiksaanwijzing zijn belangrijk, sla ze niet in de wind.

Als het apparaat vuil wordt, stof het dan af met een zachte droge doek, of maak gebruik van een stofzuiger. Gebruik nooit een oplosmiddel van welke soort dan ook.

Het apparaat moet dusdanig gebruikt worden, dat een behoorlijke koeling niet in het gedrang komt. Voorbeeldjes: Gebruik het apparaat niet op bed, sofa, plaid of andere onregelmatige oppervlakken, waardoor de ventilatiegaten geblokkeerd zouden kunnen worden. Ook het inbouwen in een te kleine ruimte kan een voldoende koeling in de weg staan, zorg dan ook voor een ruimte boven de versterker van zo'n 10 cm.

Het apparaat moet verre gehouden worden van warmtebronnen zoals: radiatoren en kachels, maar ook versterkers.

Het apparaat mag alleen aangesloten worden op het voltage zoals aangegeven op de achterkant, in dit geval 220 - 240 Volts 50 Hz.

Het apparaat dient alleen aangesloten te worden met de bijgeleverde netkabel, of een soortgelijke.

Maatregelen dienen genomen te worden, die de aarding en polarisatie van het apparaat niet te niet doen. Gebruik vooral geen verlengsnoeren.

De lichtnetkabel dient zo neergelegd te worden, dat er niet op getrapt kan worden of geklemd kan worden door scherpe voorwerpen. Vooral de aansluitpunten zijn belangrijk: de aansluiting in de wandcontactdoos en daar waar de kabel het apparaat binnengaat.

Wanneer het apparaat voor langere tijd niet in gebruik is, dient de lichtnetkabel uit het lichtnet verwijderd te zijn.

Het apparaat zal in service gegeven moeten worden wanneer één van de volgende situaties zich voordoet:

- Wanneer het netsnoer en/of steker beschadigd zijn.
- Wanneer er toch voorwerpen/vloeistof in het apparaat terecht zijn gekomen.
- Als het apparaat in de regen heeft gestaan.
- Als het apparaat niet normaal functioneert of een duidelijk afwijkend gedrag vertoont..
- Wanneer het apparaat gevallen is en/of de kast beschadigd is.

Plaats de versterker op een vaste, vlakke en stevige ondergrond. Plaats hem niet op een verrijdbare wagen die gemakkelijk om kan vallen.



Inhoud

Figure 1: De bedieningsorganen en de aansluitingen	3
Figure 2: Het informatiescherm	3
Figure 3: De RR-D92 afstandsbediening	3
Figure 4: Analoge signaal verbinding	4
Figure 5: Digitale signaal verbinding	4
Wij van Rotel	45
Aan de slag met de RCC-1055	45
Een paar voorzorgsmaatregelen	45
Een plek voor de RCC-1055	46
De bekabeling	46
Hoe moet je nu eigenlijk met cd's omgaan?	46
Het aansluiten op het lichtnet	46
De lichtnetkabel 18	46
De aan/uitschakelaar 1 met aanduiding 2	46
Het aansluiten van de uitgangen	46
De analoge uitgangen 13	47
De digitale uitgang 17	47
De afstandsbediening	47
De infraroodontvanger 4	47
Extra aansluiting voor een afstandsbediening 16	47
De batterijen voor de afstandsbediening	47
12V Trigger ingang 15	47
In/uitgang voor een PC 14	47
Het laden	48
De lade 8 en de open/sluittoets	
"OPN/CLS" 6 en 19	48
De carrouseltoets "DISC" 7 en 24	48
Het kiezen van een cd	48
De toetsen 1-5 27 op de afstandsbediening	48
Het afspelen van cd's	48
De "PLAY" afspeltoets 9 en 21	48
De "PAUSE" pauzetoets 11 en 22	48
De "STOP" stoptoets 10 en 26	48
De "TRACK" spoortoetsen 12 en 20	48
De directe nummerkeuzetoetsen op de afstandsbediening 28	48
De "SEARCH" zoektoetsen op de afstandsbediening 23	49
Een boekje open over HDCD® 3	49
Het infoscherm 5	49
De "TIME" tijdstoets op de afstandsbediening 25 49	49
Resterende tijdsaanduiding per nummer	49
Resterende tijdsaanduiding van het gehele programma	49
De "REPEAT" herhaaltoets op de afstandsbediening 29	50
Herhaling van één nummer	50
Herhaling van één cd	50
Herhaling van alle cd's	50
De "RANDOM" husseltoets op de afstandsbediening 30	50
De "SCAN" vogelvluchttoets op de afstandsbediening 31	51
Het programmeren	51
De "PROGRAM" programmatoets 32	51
Het programmeren	51
Nummers aan een programma toevoegen	52
De "REVIEW" controlettoets op de afstandsbediening 33	52
Het afspelen van het programma	52
Wat te doen bij problemen?	53
Het infoscherm licht niet op	53
Het vervangen van de zekering	53
De speler weigert dienst	53
Geen geluid	53
Het geluid slaat over	53
Brom	53
Technische Gegevens	53

Wij van Rotel

Het is alweer meer dan 40 jaar geleden dat een familie met een gepassioneerde betrokkenheid bij muziek besloot om zelf geluidsapparatuur van onberispelijke kwaliteit te gaan vervaardigen onder de naam Rotel. Door de loop der jaren heen is die passie gebleven en het familiedoel om audiofielen en muziekliefhebbers voor aantrekkelijke prijzen topkwaliteit te bieden wordt door iedere Rotelmedewerker gesteund.

De technici werken als een hecht team al tweakend en luisterend totdat ieder nieuw produkt dat muzikale niveau heeft bereikt dat hun bij de aanvang voor ogen stond. Zij worden volkomen vrijgelaten in hun keuze van componenten, waar ze ook op de wereld vandaan moeten komen. In Rotel apparatuur kunt u condensatoren vinden uit Duitsland en Engeland of half geleiders uit Amerika en Japan, terwijl de ringkerntransformatoren in eigen huis worden vervaardigd.

Onze goede reputatie werd gevestigd door honderden waarderende testrapporten en vele onderscheidingen die wij hebben mogen ontvangen van mensen die uit professionele dag in dag uit naar muziek luisteren. Hun kritiek houdt ons bij de les: het vervaardigen van muzikale, betrouwbare en betaalbare apparatuur.

Door de aanschaf van dit produkt danken wij u voor het in ons gestelde vertrouwen en wensen wij u er veel en langdurig plezier mee.

Aan de slag met de RCC-1055

We voelen ons zeer vereerd dat u onze RCC-1055 cd-wisselaar heeft aangeschaft. Omringd door kwaliteits componenten zal hij u jarenlang muzikaal plezier geven.

De RCC-1055 is een topkwaliteits-component uitgerust met een zeer uitgebreid arsenaal aan leuke mogelijkheden. Geknipt voor diegene die de ideale combinatie zoeken van bedieningscomfort en muzikale klasse. De RCC-1055 heeft een 8x overbemonsterend digitaal filter aan boord en het beroemde HDCD circuit.

De eenvoud van bediening is niet vergeten. Zo kunt u tijdens het afspelen de andere cd's uitwisselen, bezit de RC-1055 een afstandsbediening met zeer veel functies, is hij programmeerbaar tot wel 32 nummers en kunt u zappen door de nummers.

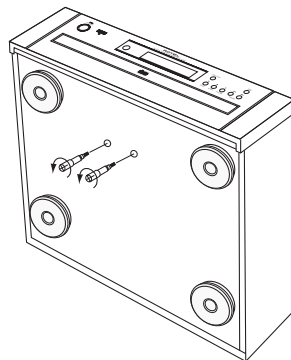
We gebruiken de beste componenten zoals metaalfilm weerstanden, polystyreen en polypropyleen condensatoren in de signaalwegen. Alle aspecten voor het ontwerp van deze speler hadden maar één doel voor ogen: natuurgetrouwe weergave van muziek.

De RC-1055 is zeer eenvoudig te installeren en te bedienen. Heeft u al ervaring met andere apparatuur dan is het voor u helemaal een fluitje van een cent: gewoon het apparaat aansluiten plaatje erin en genieten.

Een paar voorzorgsmaatregelen

Leest u vooral goed de gebruiksaanwijzing. Er staat behalve over het installeren en de bediening, belangrijke informatie in over de verschillende manieren waarop u de RCC-1055 in uw installatie kan inpassen alsmede algemene richtlijnen om het maximale uit uw audio-installatie te halen. Mocht u, ondanks onze pogingen om het u zo duidelijk mogelijk te maken, toch nog vragen hebben aarzelen dan niet om met uw Rotel dealer contact op te nemen: hij heeft vast en zeker de antwoorden.

Extra informatie: Voor het transport hebben we twee schroeven in de speler geplaatst die de lade op zijn plaats houden. Ter identificatie en om ze makkelijk te kunnen verwijderen zijn aan deze schroeven rode handeltjes bevestigd. Zet de RC-1055 voorzichtig op zijn kant en verwijder de schroeven door ze linksom te draaien. Als u de schroeven niet verwijdert gaat de lade niet open.



Heeft u vergeten de schroeven te verwijderen voordat u hem heeft aangesloten op het lichtnet. Zet de machine dan uit en trek de stekker uit het stopcontact en verwijder dan alsnog de schroeven.

Bewaar ze op een veilige plaats, want u moet ze weer monteren als de speler naar een andere locatie moet.

Voordat u de RC-1055 gaat verhuizen moet u eerst alle cd's verwijderen en de lade sluiten. Wacht totdat op het infoscherm "0 00 00:00" te lezen staat, schakel de speler vervolgens uit en haal de lichtnetstekker uit het stopcontact. Zet de speler op zijn kant en monteer de twee veiligheidsbouten.

Bewaar als het even kan de verpakking. Altijd handig bij een eventuele verhuizing of wanneer het apparaat opgestuurd moet worden voor reparatie, want er is geen betere bescherming tijdens transport dan zijn eigen doos.

De RC-1055 is ontworpen om normale cd's af te spelen. U kunt ze herkennen aan dit logo. Andere zilverkleurige schijfjes moet u echt niet in de RC-1055 proberen af te spelen.



Als u de RC-1055 wilt verplaatsen verwijder dan eerst alle cd's uit de speler. Zo voorkomt u schade die de losse plaatjes kunnen veroorzaken.

Houdt, behalve bij laden en lossen, de lade gesloten, zo voorkomt u dat stof de werking van de laser nadelig kan beïnvloeden.

Wanneer u van de ongelofelijk lange garantie van 5 jaar wilt genieten moet u wel even uw garantiebewijs invullen, door uw dealer laten afstempelen, een deel opsturen naar de importeur en uw deel goed bewaren met de nota van uw leverancier.

HDCD®, High Definition Compatible Digital en Pacific Microsonics™ zijn geregistreerde handelsmerken van Pacific Microsonics Inc. in de Verenigde Staten en andere landen. HDCD wordt onder licentie vervaardigd van Pacific Microsonics Inc. Dit produkt wordt beschermd door één of meerdere van de volgende licentienummers: 5479168, 5638074, 5640161, 5808574, 5838274, 5854600, 5864311 en 5872531 in de VS en 669114 in Australië. Elders zijn patenten aangevraagd.

Een plek voor de RCC-1055

Zoals alle hi-fi apparaten die te maken hebben met de verwerking van signalen van laag niveau, kan de RCC-1055 beïnvloed worden door zijn omgeving. Om deze beïnvloeding zoveel mogelijk te voorkomen, moet u hem niet op een versterker of een ander component met een grote voedingstransformator zetten. Hou hem ook verre van apparaten met een ingebouwde motor. Zorg dat hij niet in direct zonlicht staat en van temperaturen boven de 35°C. en onder de 5°C. houdt hij ook niet. Als u de speler verkast van een koude ruimte naar een warme ruimte kan condensatie de goede werking tijdelijk parten spelen. Geef hem een half uurtje om te acclimatiseren.

Wij raden u aan de RCC-1055 te gebruiken in een speciaal audiomeubel. Daarin kan hij op zijn eigen plank staan. Goede audiomeubels zijn stevig gemaakt en onderdrukken en verminderen daardoor valse resonanties, aartsvijand nummer 1 in een muziekinstallatie. U zou het niet zeggen maar een meubel kan dus in goede en kwade zin uw installatie danig beïnvloeden. Vraag uw ROTEL dealer om advies, hij weet er alles van!!

De bekabeling

Hou de lichtnet-, digitale- en analoge signaalkabels uit elkaar. Dit vermindert de kans dat het lichtnet of de digitale informatie invloed kan uitoefenen op het analoge signaal. Ook het gebruik van hoge kwaliteits verbindingskabels voorkomt signaalvervuiling van buitenaf. Als het goed is weet uw onvolprezen Rotel leverancier hier alles van.

Hoe moet je nu eigenlijk met cd's omgaan?

Ga zorgvuldig met de zilveren schijfjes om. Hou ze vast bij de randen, zoals hiernaast afgebeeld en vermijdt het aanraken van het oppervlak.



Vingerafdrukken en stof moeten voorzichtig verwijderd worden met een zachte doek. Poets altijd in een rechte lijn van binnen naar buiten.

Gebruik nooit reinigingsmiddelen van welke aard dan ook, die niet specifiek bedoeld zijn voor het onderhouden van uw cd's. Er zijn een paar zeer goede middelen en uw Rotel leverancier weet er hoogst waarschijnlijk alles van.

Als u lang plezier van ze wilt hebben, bewaar dan uw cd's om ze te beschermen op een droge niet te warme plek, uit de zon en in hun doosje.

Het aansluiten op het lichtnet

De lichtnetkabel 18

Uw RCC-1055 is ingesteld op het lichtnet-voltage van het land waarin hij gekocht is. In uw geval dus 230/240 volts. U kunt het ingestelde voltage controleren op de achterkant van het apparaat.

Extra informatie: Mocht u ooit moeten verhuizen naar een land met een ander voltage, dan is de speler op dat andere voltage in te stellen. Doe deze operatie NIET zelf, maar laat hem verrichten door uw Rotel leverancier. Deze handelingen zijn voor een niet ingewijden niet van gevaar ontbloot.

U doet de stekker van de RCC-1055 direct in een zich in de nabijheid bevindende wandcontactdoos of in een geschakelde spanningsuitgang op een van de andere componenten. Gebruik echter om wat voor reden dan ook geen verlengsnoer.

Controleer even of de RCC-1055 echt uitstaat wanneer u bovenstaande handeling uitvoert.

Als u van plan bent om langdurig van huis te zijn, adviseren wij u uw gehele beeld en geluidsinstallatie (dus ook de RCC-1055) van het lichtnet te ontkoppelen.

De aan/uitschakelaar 1 met aanduiding 2

De aan/uitschakelaar vindt u links op de voorkant onder de aanduiding "POWER". Wanneer u de speler aan wilt zetten drukt u deze schakelaar in. Wanneer u nu nogmaals de schakelaar indrukt begrijpt u waarschijnlijk wat er gebeurt: uit dus.

Extra informatie: Wanneer de RCC-1055 zijn energie ontvangt via een geschakelde uitgang van een van de andere componenten, kunt u hem aan laten staan: hij wordt immers nu aan en uit gezet via dat betreffende apparaat.

Wanneer u de speler aanzet wordt automatisch de cd in positie 1 geselecteerd. Op het infoscherm staat nu te lezen: "Disc1/Track 1". Ook de tijdsaanduiding laat zich nu zien.

Het aansluiten van de uitgangen

U kunt de RCC-1055 op twee manieren op uw apparatuur aansluiten. Op de conventionele manier: het linker en rechter signaal van de analoge uitgangen voert u via de bijgeleverde signaal kabels naar de CD ingangen van uw versterker, of u brengt het digitale signaal van de digitale uitgangen via een speciale digitale 75Ω kabel naar de digitale ingang van uw versterker of separate digitaal/analoog omzetter of processor.

Extra informatie: Het is zeer verstandig voor uw gehoor en luidsprekers dat wanneer u signaalverbindingen maakt van welke aard dan ook, uw apparatuur UIT staat.

De analoge uitgangen 13

(zie figuur 4 voor extra aanwijzingen)

Op de achterkant van de RCC-1055 vindt u de aansluitingen ("ANALOG OUT"). Deze cinch pluggen moeten verbonden worden met de "CD" ingangen van uw (voor)-versterker of tuner-versterker. Let u er vooral op dat u links ("LEFT") en rechts ("RIGHT") juist aansluit. Gebruik voor deze verbindingen goede kabels. Uw Rotel leverancier kan u waarschijnlijk een goed boekje open doen over hi-fi kabels in het algemeen en deze belangrijke verbinding in het bijzonder.

De digitale uitgang 17

(zie figuur 5 voor extra aanwijzingen)

Voor verhoogd muzikaal genoege kunt u aan de digitale uitgang "DIGITAL OUT" een externe D/A omzetter aansluiten. Hiervoor heeft u een speciale afgeschermd 75Ω kabel nodig met cinch connectoren. Het muzikale genoege kunt u nog meer verhogen door ook voor deze verbinding een betere verbindingkabel te gebruiken. Vraag uw handelaar ernaar: het resultaat zal u verbazen.

De afstandsbediening

Bij de RC-1055 hebben we een afstandsbediening gedaan de RR-D92. Als u de RR-D92 wilt gebruiken moet u het zendertje op de voorkant richten op de RC-1055. De belangrijkste functies kunt u bedienen met de toets op de voorkant van de afstandsbediening. Een schuifdekseltje bedekt de toetsen voor de minder frequent gebruikte functies, zoals het programmeren, het zappen en cd keuze.

De RR-D92 dupliceert de belangrijkste functies van de voorkant van de RC-1055. Wanneer een bepaalde functie zich zowel op de RC-1055 als op de RR-D92 bevindt, staan ze in deze gebruiksaanwijzing onder hetzelfde hoofdstukje vermeld. Voorbeeld: om een cd af te spelen kunt u zowel "PLAY" toets 9 op de speler als toets 20 op de afstandsbediening gebruiken. Ze staan beide vermeld onder het hoofdstuk afspeeltoets. Er zijn echter een paar functies (zoals b.v. het geprogrammeerd afspelen) die alleen op de afstandsbediening voorkomen.

De infraroodontvanger 4

Het ronde venster links in het infoscherm is de ontvanger van de infrarood signalen van de RR-D92 afstandsbediening. Zorg er altijd voor dat dit "oog" onbedekt is, anders is de afstandsbediening geen AFSTANDSbediening meer! Ook kan direct zonlicht en bepaalde soorten kunstlicht, zoals halogeenverlichting de werking danig beïnvloeden. Vergeet niet zo nu en dan de batterijen te vervangen!

Extra aansluiting voor een afstandsbediening 16

Deze aansluiting is bedoeld om gebruikt te worden met het "Video Link"™ infraroodoog van "Xantech"™. Met deze voorziening geïnstalleerd kunt u de RC-1055 zelfs bedienen wanneer de afstandsbediening hem niet ziet. Vraag uw handelaar erom, hij weet er alles van.

Video Link en Xantech zijn handelsmerken van Xantech Corporation.

De batterijen voor de afstandsbediening

Voordat u de afstandsbediening kunt gebruiken moet u eerst de bijgeleverde batterijen installeren. Schuif het klepje waarachter de secundaire functies verborgen zijn omlaag totdat het inklikt. Druk vervolgens zachtjes op het driehoekje van het dekseltje en schuif het dekseltje zover weg dat u de batterijen kunt installeren. Plaats de batterijen zoals staat aangegeven in het batterij-compartiment. Controleer de RR-D92 op goede werking en schuif het dekseltje weer terug in positie. U merkt wanneer u de batterijen moet vervangen als de afstandsbediening niet meer consistent werkt.

Extra informatie: *Het is verstandig wanneer u de afstandsbediening lange tijd niet meer wenst te gebruiken de batterijen te verwijderen. U moet dat ook doen als de batterijen zijn uitgeput om eventueel lekken en corrosie te voorkomen.*

12V Trigger ingang 15

De RCC-1055 kan worden ingeschakeld door een 12 volt trigger signaal. De trigger ingang accepteert ieder stuursignaal (AC of DC), wat mag variëren van 3 volts tot en met 30 volts. Indien een kabel wordt aangesloten op de 12 volt ingang, zal bij aanwezigheid van een trigger signaal, de RCC-1055 worden ingeschakeld, wanneer het trigger signaal ontbreekt, zal het apparaat in de standby mode worden geschakeld. De power indicator op het voorfront blijft verlicht, maar het display wordt donker, en het apparaat werkt niet.

Let op: *Indien de 12V trigger optie gebruikt wordt, moet de power knop in de AAN positie worden gezet.*

In/uitgang voor een PC 14

De RCC-1055 kan bediend worden met software via derden geleverd. Dit wordt bereikt door de codes die normaal worden verzonden met uw afstandsbediening nu verzonden worden via een draadverbonden PC.

De aansluiting "COMPUTER I/O" zorgt voor de nodige verbinding met uw pc. De aansluiting is geschikt voor standaard RJ-45 8-pins modulaire pluggen, zoals die gewoonlijk bij 10-BaseT UTP Ethernet verbindingen gebruikt worden.

Voor nadere informatie over dit onderwerp is het verstandig even bij uw Rotel leverancier langs te gaan.

Het laden

De lade **8** en de open/sluittoets "OPN/CLS" **6** en **19**

Druk op de "OPN/CLS"toets op de afstandsbediening **19** of op de RCC-1055 **6** om de lade te doen openen. Leg de cd's in de genummerde uitsparingen van de carrousel met het label naar boven. Zorg ervoor dat de plaatjes goed in het midden liggen. U kunt zowel 8cm. als 12cm. schijfjes gebruiken. Voor de 8 cm. plaatjes is een speciale inkeping gemaakt. Als de lade open is kunt u drie cd's plaatsen. Wilt u de andere plaatsen gebruik dan de toets "DISC" **7** **24** om de carrousel te laten draaien. Om de lade weer te sluiten drukt u nogmaals op de "OPN/CLS"toets **6** of **19**.

Extra informatie: Gebruik om de lade te sluiten altijd de "OPN/CLS"toets, zo voorkomt u schade. Probeer de draaiende carrousel niet met de hand tegen te houden of met de hand te laten draaien. Gebruik dus altijd de carrouseltoets "DISC" en wissel de cd's pas als de carrousel gestopt is.

U kunt ook cd's wisselen terwijl de RC-1055 aan het afspelen is. Druk tijdens het spelen op de "OPN/CLS"toets **6** of **19**. Drie van de 4 cd plaatsen zijn nu bereikbaar. Wilt u ook de vierde positie verwisselen druk dan op de toets "DISC" **7**. Druk op de "OPN/CLS"toets **6** of **19** om de RC-1055 weer te sluiten.

De carrouseltoets "DISC" **7** en **24**

Deze toetsen hebben twee functies. De eerste is het draaien van de carrousel zoals in het vorig hoofdstuk omschreven.

Nogmaals: Probeer de draaiende carrousel niet met de hand tegen te houden of met de hand te laten draaien. Gebruik dus altijd de carrouseltoets "DISC" en wissel de cd's pas als de carrousel gestopt is.

De andere functie van de "DISC"toetsen is het selecteren van de cd die u wilt af spelen. Elke keer als u deze toets indrukt gaat de RC-1055 naar de volgende cd. Als schijfje 5 speelt en u drukt op "DISC" dan gaat de RC-1055 verder met het afspelen van de eerste cd in de carrousel.

Als u de "DISC"toets gebruikt wanneer de speler stilstaat wordt de volgende cd gekozen. Wanneer u op "DISC" drukt terwijl de RC-1055 aan het afspelen is dan stopt het afspelen van die cd, wordt de volgende cd in rij gekozen en begint het afspelen van het eerste nummer van die betreffende cd.

Het kiezen van een cd

De afstandsbediening heeft echter nog een andere manier om een bepaalde cd te kiezen.

De toetsen 1-5 **27** op de afstandsbediening

Druk op de toets die correspondeert met de cd die u wenst af te spelen. Drukt u op een van de toetsen wanneer de speler niet aan het afspelen is, dan wordt alleen maar de betreffende cd geselecteerd. Is de speler wel aan het afspelen, dan wordt gestopt met het afspelen van die cd en gestart met het begin van de cd die u zojuist geselecteerd heeft.

Het afspelen van cd's

De "PLAY" afspeeltoets **9** en **21**

Druk op de "PLAY"toets **9** of **21** om de cd af te spelen die in het infoscherm staat aangegeven. De speler zal met het eerste nummer beginnen, tenzij u een ander nummer had gekozen voordat u de "PLAY"toets indrukte.

Tenzij één van de repeteer functies in werking is gesteld zal:

- Nadat het laatste nummer van schijfje 1 t/m 4 is afgespeeld, de laatste cd worden geladen en worden afgespeeld, te beginnen bij het eerste nummer.
- Aan het eind van de vijfde cd het afspelen eindigen.

Zie ook het hoofdstuk over de herhaaltoets voor meer informatie.

De "PAUSE" pauzetoets **11** en **22**

Wenst u tijdelijk het afspelen te onderbreken, druk dan op de pauzetoets **11** of **22**. Druk nogmaals op deze toets om het afspelen weer te hervatten.

De "STOP" stoptoets **10** en **26**

Wenst u het afspelen te stoppen, druk dan op de stoptoets **10** of **26**. De betreffende cd blijft geselecteerd maar bij het hervatten zal de speler bij het eerste nummer beginnen.

De "TRACK" spoortoetsen **12** en **20**

Als de speler stilstaat:

- Druk op de **▶▶** toets om het volgende nummer van een cd te kiezen. Druk de toets **▶▶** langdurig in om verderop een nummer van die cd te zoeken.
- Druk op de **◀◀** toets om het vorige nummer van een cd te kiezen. Druk de toets **◀◀** langdurig in om terug op die cd een nummer te zoeken.

Als de speler loopt:

- Druk op de **▶▶** toets om de rest van het spelende nummer over te slaan en de RC-1055 te laten beginnen met het eerstvolgende nummer. Druk langdurig op de **▶▶** toets om meerdere nummers verderop op te zoeken.
- Druk op de **◀◀** toets om naar het begin van het spelende nummer te gaan. Druk langdurig op de **◀◀** toets om meerdere nummers terug op te zoeken.

De directe nummerkeuzetoetsen op de afstandsbediening **28**

Om een bepaald nummer op een cd te kiezen gebruikt u een van de directe nummerkeuzetoetsen op de afstandsbediening **28**. De speler begint dan direct het gekozen nummer af te spelen. Wenst u een nummer hoger dan 10 te horen, gebruik dan de ">10" toets om het door u gewenste nummer te bereiken. Voorbeeld: Om nummer 17 te horen toetst u ">10" in en vervolgens "7". Opmerking: Wanneer u de RC-1055 aan het programmeren bent, worden de nummerkeuzetoetsen voor het programmeren gebruikt. Zie ook het hoofdstuk over het programmeren voor meer informatie.

De "SEARCH" zoektoetsen op de afstandsbediening 23

Met de "SEARCH" (zoek)toetsen kunt u zowel versneld vóór ►► als achterwaarts ◀◀ door een muziknummer "crossen". Tijdens uw zoektochten door de muziek hoort u de muziek versneld aan u voorbij gaan. De eerste vijf seconden ongeveer vier maal de snelheid, daarna ongeveer twintig maal de snelheid. Het geluidsniveau wordt tijdens het zoeken wat gereduceerd. U kan ook tijdens de pauzefunctie zoeken, u hoort dan echter niets. U kunt niet verder zoeken dan tot het begin of eind van de geselecteerde cd.

Een boekje open over HDCD® 3

HDCD plaatjes zijn gecodeerd met een datastream van een veel hogere dichtheid. Bij weergave wordt deze specifieke datastream weer gedecodeerd naar een normale datastream. Dit codeer/decoderproces reduceert in hoge mate de vervorming die normaal optreedt bij het omzetten van analog naar digitaal en weer terug. Het HDCD proces wordt automatisch geactiveerd. Wanneer u een HDCD plaatje afspeelt brandt het HDCD lichtje 3.

Het infoscherm 5

(zie ook figuur 3)

De 5 indicators onder **A** geven aan in welke laden zich een cd bevindt.

De afspeelindicator **B** licht altijd op wanneer er een cd wordt afgespeeld.

De pauze-indicator **C** licht op wanneer middels de pauzetoets het afspelen tijdelijk is onderbroken.

De cd keuze-indicator **D** laat zien welke van de cd's wordt afgespeeld. Als u de resterende tijd indicatie optie aan heeft staan staat verandert de keuze-indicator in "-". Zie ook het stukje onder **K** over de tijdsaanduiding.

De aanduiding over de nummers van de cd die is gekozen **E**, laat of zien welk nummer wordt afgespeeld of het totaal aantal nummers van die cd of het aantal nog resterende nummers van die cd. Zie ook het hoofdstukje over de tijdtoets.

Een van de herhaalfunctie indicatoren **F** licht op wanneer één van de herhaalopties aanstaat. Zie ook het hoofdstukje over de herhaaltoets.

De husselfunctie indicator "RANDOM" **G** licht op wanneer deze functie aanstaat. Zie ook het hoofdstukje over de husseltoets.

De indicator die het geprogrammeerd afspelen aangeeft **H** licht op wanneer deze functie aanstaat. Zie ook het hoofdstukje over het geprogrammeerd afspelen.

De indicator die het "Intro Scan" afspelen aangeeft **I** licht op wanneer deze functie aanstaat. Zie ook het hoofdstukje over het in "vogelvlucht" afspelen.

De aanduiding "REMAIN" **J** licht op wanneer één van de tijdsaanduidingsfuncties aanstaat. Zie ook het hoofdstukje over de tijdsaanduiding.

De tijdsaanduiding **K** laat de totale afspeeltijd van de geselecteerde cd zien, of de tijd dat een bepaald nummer is afgespeeld, of de resterende tijd van een bepaald nummer of de resterende tijd van de gehele cd. Zie ook het hoofdstukje over de tijdtoets.

Het nummeroverzicht **L** laat het totaal aantal nummers van een cd zien en het nummer dat op dat moment afgespeeld wordt. Heeft een cd meer dan 16 nummers dan staat ook **N** bij **M** aan.

Wanneer u een cd uitkiest toont het nummeroverzicht het totaal aantal nummers van die cd. Het nummer dat wordt afgespeeld knippert. Nadat een nummer afgespeeld is verdwijnt dat nummer uit het overzicht. Heeft de cd meer dan 16 nummers dat verschijnt **N** knipperend op plaats **M**. De nummeraandwijzing toont het nummer dat wordt afgespeeld, of het aantal nummers dat nog resteert, afhankelijk van de keuze die in de tijdsaanduiding staat vermeld.

Wanneer een bepaald programma wordt afgespeeld, worden alleen de nummers uit het programma getoond. Het nummer dat speelt knippert en verdwijnt uit het nummeroverzicht als het afgespeeld is. Zie ook het hoofdstukje over het geprogrammeerd afspelen.

De "TIME" tijdstoets op de afstandsbediening 25

Wanneer een cd is geselecteerd, maar nog niet wordt afgespeeld, staat in het infoscherm de totale tijd en het aantal nummers af te lezen. Wanneer de cd wordt afgespeeld staat het spoornummer van de cd te lezen met de verstreken tijd. Druk op de tijdstoets 24 om te verwisselen van tijd- naar nummeraanduiding.

Resterende tijdsaanduiding per nummer

Druk eenmaal op de tijdstoets 25 om de tijdsaanduiding te veranderen in "resterende tijd van een bepaald nummer". De resterende tijdsindicator "REMAIN" licht nu op. De nummeraanduiding toont nu het nummer dat wordt afgespeeld. De getoonde tijd is de resterende tijd van het spelende nummer.

Resterende tijdsaanduiding van het gehele programma

Druk nogmaals op de tijdstoets 25 om de tijdsaanduiding te veranderen in "resterende tijdsaanduiding van het gehele programma". De resterende tijdsindicator "REMAIN" blijft branden. De nummeraanduiding toont het aantal nummers dat nog afgespeeld moet worden. De cd aanduiding verandert van de cd die op dat moment wordt afgespeeld in de aanduiding "-". De tijdsaanduiding laat de totale resterende afspeeltijd van de betreffende cd zien.

Wanneer u op de tijdstoets 25 drukt terwijl de resterende tijdsaanduiding in functie is, wordt het normale infoscherm weer in ere hersteld. Ook wanneer de speler wordt gestopt of opnieuw gestart, verschijnt weer de normale informatie.

De "REPEAT" herhaaltoets op de afstandsbediening 29

Onder normale omstandigheden worden de cd's op volgorde afgewerkt en stopt de machine aan het eind van het vijfde schijfje. Om één nummer te herhalen drukt u eenmaal op de herhaaltoets 29. Als u de gehele cd wenst te herhalen drukt u nogmaals op deze toets. Wenst u alle cd's te herhalen drukt u voor een derde maal op toets 29. Voor een vierde maal drukken brengt de RC-1055 weer in de normale wijze van afspelen. U kunt de herhaalfuncties altijd, dus ook tijdens het afspelen, in- en uitschakelen.

Herhaling van één nummer

Wanneer "de herhaling van één nummerfunctie" wordt ingeschakeld, staat "REPEAT" en "1" in het infoscherm te lezen. Wanneer een nummer wordt gekozen terwijl de speler niet speelt, wordt het nummer herhaald dat dan wordt gekozen. Wanneer u deze functie inschakelt wanneer de machine aan het afspelen is dan wordt dat betreffende nummer tot in lengte van dagen herhaald.

De "TRACK" spoortoetsen blijven tijdens "REPEAT" normaal functioneren. Wanneer u tijdens de herhaalfunctie met de "TRACK"toetsen (12 en 20) een nieuw nummer selecteert dan wordt dat nummer herhaald totdat de herhaalfunctie wordt opgeheven. Ook de "SEARCH" zoektoetsen 23 blijven tijdens "REPEAT" functioneren. Het nummer waar u bij het zoeken bij uitkomt blijft dan worden herhaald.

De herhaalfunctie kan niet tijdens het geprogrammeerd afspelen worden ingeschakeld.

Herhaling van één cd

Wanneer "de herhaling van één cd-functie" wordt ingeschakeld, staat "REPEAT", "1" en "DISC" in het infoscherm te lezen. Wanneer een cd wordt gekozen terwijl de speler niet speelt, wordt die gehele cd afgespeeld en daarna herhaald. Wanneer u deze functie inschakelt wanneer de machine een cd aan het afspelen is, dan wordt dat betreffende nummer en de rest van de cd afgespeeld en daarna de gehele cd tot in lengte van dagen herhaald.

De "TRACK" spoortoetsen blijven tijdens "REPEAT" normaal functioneren. Wanneer u tijdens de herhaalfunctie met de "TRACK"toetsen (12 en 20) een nieuw nummer selecteert dan wordt dat nummer herhaald totdat de herhaalfunctie wordt opgeheven. Ook de "SEARCH" zoektoetsen 23 blijven tijdens "REPEAT" functioneren. Het nummer waar u bij het zoeken bij uitkomt blijft dan worden herhaald.

De herhaalfunctie kan niet tijdens het geprogrammeerd afspelen worden ingeschakeld.

Herhaling van alle cd's

Wanneer "de herhaling van alle cd's-functie" wordt ingeschakeld, staat "REPEAT ALL DISC" in het infoscherm te lezen. Alle nummers van alle cd's worden nu in volgorde afgespeeld te beginnen bij het nummer dat door u wordt geselecteerd of bij dat nummer dat op het moment van inschakeling wordt afgespeeld. Na het laatste nummer van schijfje 5 te hebben laten horen, begint het afspelen weer bij het eerste nummer van schijfje 1. Dit blijft de machine doen totdat de herhaalfunctie weer wordt opgeheven.

De carouseltoetsen "DISC" (7 en 24) en de zoekmogelijkheid blijven tijdens "REPEAT" functioneren.

Stelt u de herhaalfunctie in werking tijdens het geprogrammeerd afspelen dan wordt het betreffende programma herhaald nadat het laatste nummer van dat programma is ten gehore gebracht. Zie voor meer informatie over geprogrammeerd afspelen het betreffende hoofdstuk.

De "TRACK" spoortoetsen (12 en 20) en de "SEARCH" zoektoetsen 23 blijven tijdens "REPEAT" functioneren.

De "RANDOM" husseltoets op de afstandsbediening 30

Met deze functie in werking kiest de RC-1055 zelf de volgorde van afspelen van de nummers van de diverse cd's. Druk op de "RANDOM"toets 30 om de functie te activeren en nogmaals om deze functie weer uit te zetten. Tijdens gehusseld afspelen staat "RANDOM" G in het infoscherm te lezen.

Wanneer u de husselfunctie in werking stelt wanneer de machine stilstaat dan kiest de speler een willekeurig nummer om te beginnen. Is de RC-1055 op dat moment in de afspeelfunctie, dan wordt onmiddellijk begonnen met het afspelen van een willekeurig nummer.

U kunt ook de husselfunctie instellen voor één bepaalde cd. Druk op de "RANDOM"toets 30 terwijl de speler stilstaat. Kies vervolgens de cd met één van de cd keuzetoetsen op de afstandsbediening 27. Wanneer u nu op de afspeeltoets (9 of 21) drukt start de RC-1055 met het door elkaar afspelen van de nummers van het door u gekozen schijfje.

Wanneer u tijdens het "RANDOM" afspelen de voorwaarts "TRACK"toets ►► indrukt start de speler onmiddellijk met een willekeurig nieuw nummer. Wanneer u tijdens het "RANDOM" afspelen de terugwaarts "TRACK"toets ◀◀ indrukt gaat de speler onmiddellijk terug naar het begin van het nummer dat hij aan het afspelen was.

Ook de voorwaarts zoektoets "SEARCH" werkt normaal tijdens "RANDOM" afspelen. Als u voorwaarts door een nummer zoekt wordt aan het eind het zoeken gewoon voortgezet in een willekeurig nieuw nummer. De terugwaarts zoektoets zoekt alleen maar tot het begin van het betreffende nummer.

Gehusseld afspelen kan samen gebruikt worden met geprogrammeerd afspelen. Als de "RANDOM"functie wordt ingeschakeld nadat u een aantal nummers heeft geprogrammeerd zal de RC-1055 deze nummers door elkaar afspelen. Belangrijk is wel dat u de "RANDOM"functie inschakelt direct nadat u geprogrammeerd heeft. U kunt namelijk tijdens het afdraaien van het programma de "RANDOM"functie niet inschakelen.

Wanneer u "de herhaling van één nummerfunctie" of "de herhaling van één cd-functie" aan heeft staan, worden deze meteen uitgeschakeld zodra de "RANDOM"functie wordt geactiveerd. Wel kan de husselfunctie samen gebruikt worden met "de herhaling van alle cd's-functie".

De "SCAN" vogelvluchttoets op de afstandsbediening **31**

Met de vogelvluchttoets kunt u van ieder nummer een kort stukje laten horen. Druk op de "SCAN"toets om deze functie in werking te stellen. Druk nogmaals op deze toets of op "STOP" om deze functie weer te beëindigen. Wanneer de "SCAN"functie in werking is staat "INTRO" **I** in het infoscherm te lezen.

Als u niet aan het geprogrammeerd afspelen bent, worden tijdens "SCAN" de eerste 10 seconden van ieder nummer in volgorde afgespeeld te beginnen bij het eerste gekozen nummer. Als u niet ingrijpt gaat de speler daarmee door t/m het laatste nummer van de vijfde CD. Als u wel aan het geprogrammeerd afspelen bent, worden tijdens "SCAN" de eerste 10 seconden van ieder nummer uit het programma in volgorde afgespeeld te beginnen bij het eerste gekozen nummer. Als u niet ingrijpt gaat de speler daarmee door t/m het laatste nummer van uw programma.

Wordt de "SCAN"functie ingeschakeld wanneer de speler stilstaat, dan wordt de vogelvluchtfunctie gestart met het eerst gekozen nummer. Wordt de functie in werking gesteld tijdens weergave, dan begint de vogelvluchtfunctie onmiddellijk met het eerstvolgende nummer. Er is echter één uitzondering: als de "SCAN"functie wordt ingeschakeld tijdens de eerste 10 seconden van een bepaald nummer, wordt eerst de rest van deze 10 seconden afgespeeld alvorens wordt doorgedaan met de eerste 10 seconden van het volgende nummer.

De "SCAN"functie is interactief met de "RANDOM"functie, de "REPEAT"functie en met geprogrammeerd afspelen. Dit soort combinaties zal echter zelden worden gebruikt. Stel u eens voor u combineert de "SCAN" met de "REPEAT ALL"functie. U krijgt dan een eindeloze herhaling van de eerste 10 seconden van alle nummers van alle cd's te horen. Leuk feestje! Of het door elkaar, herhaalt afspelen van een bepaald programma. Het kan dus allemaal wel, maar het lijkt ons alleen geschikt voor een brainwash-programma.

Het programmeren

U kunt met de RC-1055 een afspeelprogramma maken van wel 32 nummers van alle cd's die zich in de machine bevinden. Nadat de nummers in het geheugen zijn gezet kunnen ze in de geprogrammeerde volgorde worden weergegeven. Zowel het programmeren als het geprogrammeerd afspelen gebeuren met de afstandsbediening.

De "PROGRAM" programmatoets **32**

Met deze toets kunt u het geprogrammeerd afspelen in en buiten werking stellen. Wanneer u geprogrammeerd afspeelt staat "PROGRAM" **H** in het infoscherm te lezen.

Als u eenmaal een combinatie van nummers heeft geprogrammeerd, zullen deze alleen maar worden afgespeeld tot de functie weer wordt opgeheven. Druk nogmaals op de "PROGRAM"toets **32** om het geprogrammeerd afspelen te beëindigen, schoon het geheugen en keer weer terug naar het normaal afspelen. U kunt het gemakkelijkst het geheugen schonen door de lade een keer open en dicht te doen of wanneer u de RC-1055 even uit en weer aanzet.

Het programmeren

Het programmeren tijdens het afspelen

Druk op de programmeertoets "REVIEW" **32** het woord "PROGRAM" **H** verschijnt in het infoscherm. Het nummer dat wordt afgespeeld wordt het eerste nummer van de geprogrammeerde selectie. Heel even laat de tijdsaanduiding in het infoscherm "P-01" zien ten teken dat het nummer als eerste in het geheugen is opgenomen. Als het volgende nummer dat u wenst te programmeren zich op hetzelfde schijfje bevindt gebruikt u de numerieke toetsen **28** om dat nummer in het geheugen vast te leggen. Bevindt het volgende te programmeren nummer zich op een andere cd, dan kiest u eerst de cd middels één van de cd keuzetoetsen **27**. De nummer en tijdsaanduiding veranderen nu om te laten zien dat u een keuze heeft gemaakt. Heel even laat de tijdsaanduiding in het infoscherm "P-02" zien ten teken dat het nummer als tweede in het geheugen is opgenomen. Ga zo door met programmeren totdat uw gewenste programma compleet is. Druk vervolgens op de afspeeltoets "PLAY" (**9** of **21**) om het zojuist samengestelde programma af te spelen.

Voorbeeld van programmeren

Nummer 7 van cd 4 speelt op dit moment af . . .

Druk

Wat gebeurt er?

De programmeertoets "REVIEW"
CD 4/ nr.7 wordt keuze 1

Numerieke toets 3
CD 4/ nr. 3 wordt keuze 2

CD keuzetoets 2, dan num. toets 6
CD 2/ nr. 6 wordt keuze 3

Numerieke toets >10, dan 1
CD 2/ nr. 11 wordt keuze 4

CD keuzetoets 5, dan num. toets 9
CD 5/ nr. 9 wordt keuze 5

Numerieke toets 7
CD 5/ nr. 7 wordt keuze 6

Numerieke toets 4
CD 5/ nr. 4 wordt keuze 7

CD keuzetoets 1, dan num. toets >10, dan 2
CD 1/ nr. 12 wordt keuze 8

Numerieke toets 10
CD 1/ nr. 10 wordt keuze 9

Het programmeren wanneer de speler niet speelt

Druk op de programmeertoets "PROGRAM PLAY" **32** het woord "PROGRAM" **H** verschijnt in het infoscherm. Als het nummer dat u het eerst wilt programmeren staat op de cd die zich in het afspeelcompartiment bevindt, gebruik dan de numerieke toetsen **28** om het eerste nummer in het geheugen vast te leggen. Heel even laat de tijdsaanduiding in het infoscherm "P-01" zien ten teken dat het nummer als eerste in het geheugen is opgenomen. Staat het betreffende nummer echter op één van de andere cd's, gebruik dan eerst een cd-keuzetoets **27** om een andere cd te kiezen en vervolgens een numerieke toets(combinatie) om een bepaald nummer te kiezen. Als het tweede nummer dat u wilt programmeren op dezelfde schijf staat drukt u simpelweg weer een numerieke toets(combinatie) in. Staat dat nummer echter op één van de andere cd's kies dan eerst met een cd-keuzetoets **27** de gewenste cd. om vervolgens de numerieke toets(combinatie) in te drukken. De nummer en tijdsaanduiding veranderen nu om te laten zien dat u een keuze heeft gemaakt. Heel even laat de tijdsaanduiding in het infoscherm "P-02" zien ten teken dat het nummer als tweede in het geheugen is opgenomen. Ga zo door met programmeren totdat uw gewenste programma compleet is.

Voorbeeld van programmeren

Terwijl cd nr. 3 is geselecteerd maar niet speelt...

Druk

Wat gebeurt er?

De programmeertoets "REVIEW"

U kunt nu programmeren

Numerieke toets 3

CD 3/ nr. 3 wordt keuze 1

Numerieke toets 7

CD 3/ nr. 7 wordt keuze 2

CD keuzetoets 4, dan num. toets >10, dan 4

CD 4/ nr. 14 wordt keuze 3

CD keuzetoets 5, dan num. toets 9

CD 5/ nr. 9 wordt keuze 4

Numerieke toets >10, dan 2

CD 5/ nr. 12 wordt keuze 5

CD keuzetoets 1, dan num. toets 8

CD 1/ nr. 8 wordt keuze 6

CD keuzetoets 2, dan num. toets 4

CD 2/ nr. 4 wordt keuze 7

Numerieke toets 1

CD 2/ nr. 1 wordt keuze 8

Nummers aan een programma toevoegen

U kunt ten allen tijden nummers aan een programma toevoegen, zelfs als u het programma al aan het afspelen bent. Als het nummer dat u wenst toe te voegen op de geselecteerde cd staat, zet dan het nummer er gewoon bij d.m.v. de numerieke toetsen. Of indien niet, kies eerst de gewenste cd met een cd-keuzetoets en vervolgens het nummer met een numerieke toets(combinatie).

De "REVIEW" controletoets op de afstandsbediening **33**

Wilt u controleren of de gemaakte selectie wel aan uw eisen voldoet dan gebruikt u daarvoor de "REVIEW" toets **33**. Elke keer wanneer u deze toets indrukt wordt de volgende cd/nummercombinatie van het programma op het infoscherm getoond. U kunt deze functie altijd oproepen: tijdens het programmeren, tijdens het afspelen van het programma of als het programma nog niet wordt afgespeeld. Als u het controleren tijdens het afspelen of het programmeren doet, dan laat het infoscherm even de geprogrammeerde selectie zien om vervolgens weer de normale informatie te tonen.

Het afspelen van het programma

Zodra u een groep nummers in het geheugen heeft gezet drukt u op de afspeeltoets "PLAY" (**9** of **21**) om het afspelen te starten, te beginnen bij het eerst geselecteerde nummer. De gehele selectie zal nu worden afgespeeld t/m het laatste nummer. Dan zal de speler stoppen.

Wanneer het programma afgewerkt wordt laat het nummeroverzicht **L** alleen de nummers van het programma zien. Het actuele nummer wordt knipperend weergegeven.

De pauzetoets (**11** of **22**) werkt normaal tijdens het weergeven van een geprogrammeerde selectie. Als u eerst op de stoptoets (**10** of **26**) drukt terwijl u een geprogrammeerde selectie speelt en vervolgens weer op de afspeeltoets dan zal het programma weer vanaf het eerste nummer afgespeeld worden.

Ook de "TRACK" spoortoetsen (**12** of **20**) werken normaal tijdens het afspelen van een programma. Druk op **▶▶** om naar het volgende geprogrammeerde nummer te gaan. Druk op **◀◀** om naar het begin te gaan van het spelende nummer. Wilt u naar het begin van het vorige geprogrammeerde nummer dan moet u tweemaal op **◀◀** drukken. De TRACK toetsen brengen u echter niet voorbij het eerste of laatste geprogrammeerde nummer, tenzij u de herhaalfunctie aan heeft staan.

Tijdens het afspelen van een geprogrammeerde selectie kunt u ook de "SEARCH" zoektoetsen gebruiken. Als u drukt op **▶▶** toets zoekt de RC-1055 voorwaarts. Als u blijft doorzoeken gaat het zoeken zelfs door in het volgende nummer. Het zoeken stopt echter aan het eind van het laatste nummer, tenzij u de herhaalfunctie heeft aanstaan. Als u op de **◀◀** toets drukt gaat de RC-1055 terugzoeken echter niet verder dan het begin van het nummer waarin u het zoeken bent begonnen.

De "herhaling van alle cd's-functie" werkt ook bij het weergeven van een programma. De andere herhaalfuncties kunnen tijdens het weergeven van een programma niet gekozen worden. Wanneer u de herhaalfunctie activeert gaat het eerste geprogrammeerde nummer pas spelen als het laatste geprogrammeerde nummer gespeeld is. Op dezelfde wijze gaat het eerste geprogrammeerde nummer spelen als u de "TRACK" toets **▶▶** indrukt tijdens het afspelen van het laatst geprogrammeerde nummer of wanneer u de zoektoets **▶▶** indrukt totdat het laatst geprogrammeerde is afgelopen.

Wat te doen bij problemen?

Als er al problemen zijn, zijn deze meestal te wijten aan slechte verbindingen, slecht verbindingsmateriaal of een verkeerde stand van de knoppen/schakelaars. Controleer bij niet functioneren of alle schakelaars en knoppen in de juiste stand staan. Functioneert het één en ander niet zoals het moet, probeer dan door elimineren er achter te komen waar het probleem zit.

Het infoscherm licht niet op

De indicators "DISC", "TRACK" en de tijdsaanduiding moeten altijd oplichten zodra u de lichtnetschakelaar indrukt. Lichten deze informaties niet op check dan met een ander elektrisch apparaat, een schemerlamp of zo, of er wel spanning op de betreffende wandcontactdoos staat.

Het vervangen van de zekering

Ontdekt u met de schemerlampproef dat er wel degelijk spanning staat op de door u gebruikte wandcontactdoos en de lichtnet-indicator doet het nog steeds niet, dan kon de interne zekering van de RC-1055 wel eens ter ziele zijn. Neem in dat geval contact op met uw handelaar, hij kan dat klusje zo voor u klaren.

De speler weigert dienst

Als de cd niet gaat spelen wanneer u de "PLAY" toets indrukt, doe dan de lade open en check of het schijfje er wel correct in zit: met het label naar boven. Zit het schijfje er correct in controleer dan of het niet beschadigd of vies is. Mocht het plaatje niet zo schoon zijn als gewenst, maak het dan schoon zoals beschreven in het hoofdstukje "Hoe moet je eigenlijk omgaan met cd's". Is het plaatje duidelijk beschadigd vervang het dan door een ander.

Geen geluid

Het indicator-lampje brandt wel, maar u hoort nog steeds niets. Controleer dan of de verbindingen tussen de versterker en de RC-1055 o.k. zijn. Controleer ook of de luister keuzeschakelaar "LISTENING" in de juiste stand staat. Hoe is de kwaliteit van de verbindingen tussen de versterker en de luidsprekers? Na al deze controles moet 'ie het doen. Zo niet: u weet uw steun en toeverlaat, uw Rotel leverancier, te vinden.

Het geluid slaat over

Als de muziek van de RC-1055 stot of overslaat, kan de cd vuil of defect zijn. Is de cd toch schoon probeer dan een ander exemplaar. Mochten de problemen aanhouden dan kunnen valse trillingen de oorzaak zijn. Vooral vibraties die komen van subwoofers kunnen het goed functioneren van de laserafstasting danig beïnvloeden. Verplaats de RC-1055 naar een stabielere plek of naar een plaats verder weg van de luidsprekers.

Brom

Brom wordt veroorzaakt door beïnvloeding van andere apparaten. Het wordt meestal opgepikt door signaalkabels. Gebruik daarom altijd signaalkabels van onberispelijke kwaliteit. Slechte kabels hebben slechte afscherming en pikken daardoor brom op. Controleer of de pluggen goed vast zitten zowel op de versterker als op de RC-1055. Probeer door de signaalkabels ver weg te houden van de andere componenten de brom te verminderen, vooral de voedingstrafo's van eindversterkers zijn brombronnen. Andere bronnen van brom zijn t.l. verlichting en lichtdimmers.

Technische Gegevens

Frequentiebereik ± 0.5dB:	20-20.000 Hz.
Signaal/ruisverhouding:	> 100 dB
Totale harm. vervorming:	0,0045% @ 1 kHz.
Intermodulatievervorming:	0,0045% @ 1 kHz.
Dynamisch bereik:	> 96 dB
Kanaalscheiding:	> 98 dB @ 1 kHz.
Kanaalgelijkheid:	± 0,5 dB
Fase reinheid:	± 0,5°
Gelijkloop:	Kwarts kristal gestuurde precisie
Digitaal/analoo omzetting:	equivalent van 18-bit, multilevel Delta Sigma d/a omzetting, met 8x overbe monsterend digitaal filter en HDCD
Maximum audio lijn uitgang/ impedantie	2Volt/ 100 Ohm
Niveau digitale uitgang (coax)	0,5 Volt, top top / 75 Ohm
Lichtnetspanning:	115 V 60 Hz. / 230 V 50 Hz.
Vermogensopname:	15 Watts
Afmetingen:	432 x 121 x 410 mm. (bxhxd)
Hoogte Voorpaneel (voor rackmontage)	109 mm
Netto gewicht:	7,8 kg

Gegevens en ontwerp zijn voorbehouden.

Viktiga Säkerhetsinstruktioner

WARNING! Utför ej egen service på apparaten. Anlita alltid behörig servicetekniker för service.

WARNING! Utsätt aldrig apparaten för fukt, väta eller i övrigt kladdiga vätskor. Tillåt ej främmande föremål i apparaten. Om apparaten utsätts för fukt, väta eller att främmande föremål kommer in, dra omedelbart ut nätsladden ur vägguttaget. Ta apparaten till behörig servicetekniker för översyn och nödvändig reparation.

Läs alla instruktioner före du ansluter eller använder apparaten. Behåll denna bruksanvisning så att du alltid kan återkomma till dessa säkerhetsföreskrifter.

Beakta alla varningar och säkerhetsföreskrifter i bruksanvisningen och på själva apparaten. Följ alla användarinstruktioner.

Använd endast torrt tygstycke för rengöring av utsidan av apparaten.

Använd 10 cm fritt utrymme runt om apparaten. Placera ej apparaten på en säng, soffa, filt, matta eller liknande material som kan blockera ventilationshålen. Om apparaten placeras i en bokhylla eller skåp skall det finnas utrymme för god ventilation.

Placera ej apparaten nära ett element eller liknande enheter som utvecklar värme.

Apparaten måste vara ansluten till ett vägguttag endast med det voltal som finns beskrivet på apparatens baksida.

Anslut apparaten till vägguttaget endast med medföljande strömkabel eller exakt motsvarande. Modifiera ej medföljande strömkabel. Andra ej jord eller polaritet. Använd ej förlängningskabel.

Placera ej strömkabeln så att den kan bli utsatt för överkan, extrem värme eller i övrigt kan skadas. Lägg speciellt märke till var strömkabeln ansluts på baksidan av apparaten.

Strömkabeln skall vara urkopplad från vägguttaget om apparaten ej används under en längre tid.

Avsluta omedelbart användandet av apparaten och låt behörig servicetekniker kontrollera den om:

- Strömkabelns kontakt eller kabel har skadats.
- Främmande föremål eller vätska kommit in i apparaten.
- Apparaten blivit utsatt för regn.
- Apparaten visar tecken på felaktig funktion.
- Apparaten har tappats eller i övrigt skadats.

Placera apparaten på en stabil yta som kan bära apparatens vikt. Placera ej apparaten på ett rörligt föremål som kan välta.



WARNING ! Aktiv laserstråle när apparatens kabinett öppnas. Titta Ej i strålen.

OBS!

Ingången COMPUTER I/O skall endast hanteras av behörig personal.

OBS!

Denna apparat har testats och uppfyller de värden för Klass B för digital enhet Kap. 15 enligt FCC reglerna. Dessa värden är framtagna för att skydda mot interferens i installationer. Denna apparat genererar och kan stråla ut radiofrekvensenergi som kan skapa interferensproblem med andra radio eller TV-apparater om den inte installeras enligt instruktionerna. Det finns ingen garanti för att interferensproblem ej uppstår. Om denna produkt skapar interferensproblem på en annan radio eller TV-utrustning, vilket kan lätt klargöras genom att starta och stänga av produkten, så försök korrigera referensproblemet med hjälp av en eller flera av följande åtgärder.

- Flytta runt mottagarantennen.
- Öka avståndet mellan apparaten och TV-tuner.
- Anslut apparaten till ett annat strömuttag.
- Kontakta din auktoriserade Rotel återförsäljare.

VARNING

Denna enhet uppfyller Kap. 15 i FCC reglerna och användning sker enligt följande: (1) Denna enhet skall inte skapa störande signaler och (2) denna enhet måste acceptera interferens som kan generera störning i funktionen.

Innehåll

Figure 1: Funktioner och anslutningar	3
Figure 2: Display	3
Figure 3: RR-D92 Fjärrkontroll	3
Figure 4: Analoga utgångar	4
Figure 5: Digitala utgångar	4
Om Rotel	55
Introduktion	55
Försiktighetsåtgärder	55
Placering	56
Kablar	56
Hantering av CD-skivor	56
Ström och strömfunktioner	56
Strömgång 18	56
Strömbrytare 1 och strömindikator 2	56
Anslutningar för ut signaler	56
Analog utgång 13	56
Digital utgång 17	56
Fjärrstyrning	57
Fjärrmottagaren 4	57
Ingång för extern fjärrstyrning 16	57
Fjärrkontrollens batterier	57
12V Trigger ingång 15	57
Computer I/O anslutningen 14	57
Ladda CD-skivor	57
CD-slåden 8 och OPEN/CLOSE-knappen 6 19	57
DISC-knapparna 7 och 24	57
Att välja CD-skiva	58
DISC 1-5 knapp 27	58
Att spela CD-skivor	58
PLAY-knappen 9 och 21	58
PAUSE-knappen 11 22	58
STOP-knappen 10 26	58
TRACK-knapparna 12 20	58
Track-knapparna (låtval) 28	58
SEARCH-knapparna 23	58
Om HDCD® 3	58
Displayen 5	58
TIME-knappen 25	59
Each/Remain-funktionen	59
Total/Remain-funktionen	59
REPEAT-knappen 29	59
Repeat 1 Track (repetera en låt)	59
Repeat 1 Disc (repetera en CD-skiva)	59
Repeat All Discs (repetera alla CD-skivor)	59
RANDOM-knappen 30	60
Intro Scan-knappen 31	60
Programmerad spelning	60
PROGRAM-knappen 32	60
Programmering av låtar	61
Lägga till låtar i ett program	61
REVIEW-knappen 33	61
Spelning av programmerade låtar	61
Felsökning	62
Displayen lyser ej	62
Byte av säkring	62
CD-skivan spelar inte	62
Inget ljud	62
Avbrott i ljudet	62
Brum	62
Specifikationer	63

Om Rotel

En familj med ett passionerat intresse för musik grundade Rotel för över 40 år sedan. Det utmynnade i egen tillverkning av HiFi-produkter med en kvalitet utan kompromisser. Genom alla år har denna passion för musik varit oförändrad och målet har alltid varit att producera prisvärda produkter för både audiofiler och musikälskare. Detta är också Rotels hela personal delaktiga i.

Rotels ingenjörer arbetar i team och i nära samarbete. De lyssnar på och finslipar varje ny produkt tills den når upp till deras krav på musikalisk kvalitet. De är fria att välja komponenter från hela världen i syfte att ta fram en produkt som är så bra som möjligt. Kondensatorer från Storbritannien och Tyskland, halv-ledare från Japan och USA, medans nättransformatorerna tillverkas i Rotels egna fabriker.

Rotels goda rykte för kvalitet har förtjänats genom hundratals tester och erkännanden från HiFi-industrins seriösaste recensenter som dagligen lyssnar på musik. Deras erkännande håller företaget Rotel troget sitt mål att ta fram produkter som är musikaliska, pålitliga och prisvärda.

Alla vi på Rotel är glada för att du valde en Rotel-produkt och hoppas att den kommer att ge dig många år av njutning och glädje.

Introduktion

Tack för att du valde Rotel RCC-1055 CD-växlare. Väl använd i ett kvalitets system kommer den att ge många år av musikalisk glädje.

RCC-1055 är en mycket kompetent och högpresterande CD-växlare. Den är det optimala valet för den som vill ha CD-växlarens bekvämlighet men utan att göra avkall på ljudkvalite'n. RCC-1055 är försedd med digitala filter med 8x översampling och HDCD avkodning.

Smidigheten vid användning är heller inte bortglömt. När en CD-skiva spelas kan du lätt byta någon av de andra fyra. Fjärrkontroll, programmering av upp till 32 låtar och låtsökning finns också med.

Resistorer av metallfilm och kondensatorer av polystyren eller polypropolen och av högsta kvalite' används i de viktiga signalvägarna. Alla aspekter i produktionen har kontrollerats för att garantera den mest trovärdiga återgivningen av musiken.

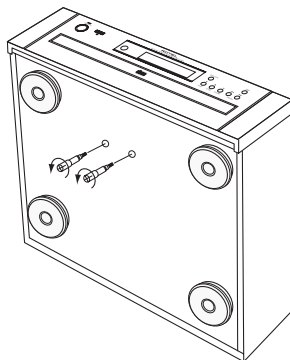
RCC-1055 är lätt att använda och installera. Om du har haft erfarenhet av andra stereosystem kommer denna apparat inte innebära något förbryllande för dig. Det är bara att ansluta den till övrig utrustning och njuta.

Läs denna bruksanvisning noga. Tillsammans med anslutnings- och användar-instruktionerna kommer denna bruksanvisning att ge dig värdefull information om RCC-1055. Detta gäller både systemkonfiguration, allmän information och som hjälp för dig att få ut det bästa ur ditt system. Kontakta din Rotel-återförsäljare om du har några frågor. Dina frågor och synpunkter är alltid välkomna.

Försiktighetsåtgärder

Läs denna bruksanvisning noga. Tillsammans med anslutnings- och användar-instruktionerna kommer denna bruksanvisning att ge dig värdefull information om RCC-1055. Detta gäller både systemkonfiguration, allmän information och som hjälp för dig att få ut det bästa ur ditt system. Kontakta din Rotel-återförsäljare om du har några frågor. Dina frågor och synpunkter är alltid välkomna.

OBS! Det finns 2 st. transportskruvar som håller CD-slåden säkrad under transport. Skruvarna har röda handtag av plast som förenklar att hitta och avlägsna dem. Lagg RCC-1055 på sidan och vrid skruvarna moturs för att lossa dem. Om skruvarna inte avlägsnas kommer CD-slåden inte att öppna sig.



Om du har glömt att avlägsna transportskruvarna innan du börja använda apparaten måste du först stänga av den och dra ut strömkabeln ur vägguttaget. Avlägsna skruvarna enligt beskrivningen ovan.

Lagg skruvarna på ett säkert ställe så att du kan använda dem när du skall transportera RCC-1055. Innan du transporterar RCC-1055 måste alla CD-skivor tas ur och stäng CD-slåden. Vänta tills displayen visar "00 00:0" och stäng av apparaten med strömbrytaren och dra ur stömkabeln ur vägguttaget. Lagg apparaten på sidan och skruva in skruvarna medurs.

Spara kartong och emballage till RCC-1055 för framtida bruk. Vid frakt eller flytt av RCC-1055 i annan förpackning än originalkartongen kan ge upphov till skador som ej täcks av garantin.

RCC-1055 spelar CD-skivor som har logotypen som visas är bredvid. Andra typer av skivor skall ej spelas.



Innan du tänker flytta på RCC-1055 skall alla CD-skivor tas ur. Detta förhindrar skador som annars kan uppstå när CD-skivorna kommer ur sitt läge inuti apparaten.

Håll alltid CD-slåden stängd förutom vid laddning eller urtagning av CD-skivor. Då förhindras att damm kommer till den känsliga laser-pickupen.

Spara alltid ditt inköpskvitto. Det är ditt bästa underlag för ditt inköpstillfälle som du kan behöva vid händelse av garantiservice.

HDCD®, High Definition Compatible Digital® och Pacific Microsonics™ är antingen registrerat varumärke eller varumärken från Pacific Microsonics, Inc. i USA och/eller i andra länder. HDCD system tillverkat under licens från Pacific Microsonics, Inc. Denna produkt gäller under ett eller flera av följande nummer. I USA: 5,479,168, 5,638,074, 5,640,161, 5,808,574, 5,838,274, 5,854,600, 5,872,531 och i Australien: 669114. Övriga patent söks.

Placering

Precis som alla andra apparater som hanterar lågnivåsignaler kan även RCC-1055 påverkas av sin omgivning. RCC-1055 skall ej placeras ovanpå en förstärkare eller annan apparat med kraftig nätdel. Detta för att minimera risken för att RCC-1055 skall "fånga upp" brus eller andra störande signaler. Placera ej heller RCC-1055 i närheten av apparater med motorer. Utsätt inte RCC-1055 för direkt solljus. Använd inte RCC-1055 där temperaturen överstiger 35°C eller är lägre än 5°C. Om RCC-1055 flyttas från ett kallt utrymme till ett varmt kan det bildas kondens på de optiska delarna som kan medföra felaktig funktion på apparaten. Använd inte RCC-1055 på minst 30 minuter om den har flyttats från ett kallt utrymme.

Vi rekommenderar installera RCC-1055 i en möbel som är avsedd för audioprodukter. Sådana möbler är tillverkade för att minska vibrationer och som kan påverka ljudkvaliteten. Prata med din Rotel-återförsäljare om möbler och installation av audioprodukter.

Kablar

Var noga med att hålla isär strömkablar, digitala signalkablar och vanliga audiokablar från varandra. Detta minimerar att de vanliga audiokablarna plockar upp störningar från strömkablarna eller de digitala kablarna. Genom att använda skärmade kvalitetskablar skyddar man signalen från yttre störningar som kan försämra ljudkvaliteten. Fråga din återförsäljare för Rotel för råd om de bästa kablarna för ditt system.

Hantering av CD-skivor

Hantera CD-skivorna varsamt. Håll CD-skivan i kanterna, (se bild), utan att röra den blanka sidan med musikinformationen.



Fingeravtryck och damm som kommit på den blanka sidan torkas försiktigt bort med en mjuk trasa. Torka rakt ut från centrum av CD-skivan mot skivans ytterkant.

Använd aldrig rengöringsmedel, bensin eller antistspray. Dessa vätskor skadar CD-skivans plastskikt.

Låt alltid CD-skivorna ligga i sitt fodral när de inte används för att skydda dem från damm och repor. Utsätt inte CD-skivorna för direkt solljus, hög fuktighet eller höga temperaturer.

Ström och strömfunktioner

Strömingång 18

Din RCC-1055 är fabriksinställd på rätt voltall för vad som gäller på den marknad som den är inköpt på (Europa 230/240 volt, 50Hz). Det finns en dekal på apparatens baksida som informerar om detta.

OBS! Om du flyttar din RCC-1055 till ett annat land, kan man konfigurera apparaten för ett annat voltall. Utför ej detta själv. Genom att öppna höljet på RCC-1055 utsätter du dig för farlig spänning. Ta kontakt med en auktoriserad serviceverkstad för mer information.

RCC-1055 skall vara ansluten direkt i vägguttaget eller i ett uttag på en annan produkt i ditt HiFi-system med strömswitch (ström Av/På). Använd ej förlängningskabel.

Var noga med att strömbrytaren på RCC-1055s frontpanel är avstängd (i "ute" läget). Anslut sedan medföljande strömkabel till strömingången på baksidan av apparaten och stickkontakten till vägguttaget.

Om du inte kommer att använda din CD-spelare på en månad eller längre, dra ut strömkabeln ur vägguttaget. Det är en bra säkerhetsåtgärd att ha din CD-spelare urkopplad (även dina övriga audio/video apparater) när du är bortrest.

Strömbrytare 1 och strömindikator 2

Strömbrytaren är placerad på vänstra delen av frontpanelen på RCC-1055. Tryck in strömbrytaren för att aktivera RCC-1055. För att stänga av RCC-1055 tryck på knappen igen så att den är i "ute" läget.

OBS! Om du använder ett uttag med automatisk strömswitch (ström av/på) på en annan apparat för att aktivera din CD-spelare skall du lämna strömbrytaren i intryckt läge (på). När ström ansluts, aktiveras CD-spelaren automatiskt.

När strömbrytaren är aktiverad väljs skivan som är på position 1 i CD-slåden. Skivans nummer och låtnummer visas i displayen, "Disc 1/Track 1". Tidsindikatorn visas också i displayen.

Anslutningar för ut signaler

RCC-1055 har två olika utgångar. En analog utgång med signal från den inbyggda D/A-omvandlaren för anslutning till vanliga analoga audiokomponenter och en koaxial digital utgång som ger en obehandlad digital signal till en extern D/A-omvandlare eller en digital processor.

OBS! För att förhindra höga ljudsmällor som varken du eller dina högtalare uppskattar, stäng alltid av systemet innan du gör nya anslutningar.

Analog utgång 13

[Se Figure 4 för anslutningsbeskrivning]

Ett par med utgångar enligt RCA-standarderna ger en analog utsignal från RCC-1055 till en motsvarande ingång i t.ex. ett försteg, en integrerad förstärkare eller en receiver. Kontakter av RCA-standarderna finns i princip på alla komponenter. Välj en audiokabel av hög kvalitet. Anslut vänster respektive höger kanalutgång på RCC-1055 till motsvarande ingångar i ett försteg eller annan komponent.

Digital utgång 17

[Se Figure 5 för anslutningsbeskrivning]

Om du använder RCC-1055 som en ren CD-läsare tillsammans med en extern D/A-omvandlare eller en annan digital processor krävs en obehandlad digital signal som tas ut före den interna D/A-omvandlaren. Denna signal tas ut från RCC-1055s digitala utgång på baksidan av apparaten. Använd en 75 ohms koaxialkabel och anslut den till den externa D/A-omvandlarens digitala ingång.

Fjärrstyrning

Det följer med en fjärrkontroll RR-D92 till RCC-1055. För att använda fjärrkontrollen, rikta den mot "mottagarögat" för fjärrsignalen som finns placerad på RCC-1055s frontpanel. De grundläggande CD-funktionerna styrs från knapparna som är placerade på den övre delen på RR-D92. Det finns ett glidlock över den nedre delen på RR-D92 som döljer knappar med funktioner för t.ex. programmering, låtsökning och byte av CD-skiva.

Knapparna på RR-D92 duplicerar de grundläggande knapparna på RCC-1055s frontpanel. När en funktion kan styras från både fjärrkontroll och frontpanel beskrivs detta i samma textavsnitt. T.ex. för att spela en CD-skiva kan du trycka på **9** på frontpanelen eller på **21** på fjärrkontrollen. Det finns några knappar, t.ex. för programmeringsfunktionerna, som endast styrs av RR-D92.

Fjärrmottagaren **4**

Fjärrmottagaren tar emot fjärrsignaler från RR-D92. Fjärrmottagaren får tackas för, annars kommer den inte fungera korrekt. Fjärrmottagaren kan också få sämre funktion om den utsätts för starkt ljus, speciellt solljus. Vissa typer av belysning t.ex. halogenlampor som skickar ut infrarött ljus kan störa fjärrmottagaren. Om batterierna är svaga kan det också leda till att fjärrkontrollen fungerar dåligt.

Ingång för extern fjärrstyrning **16**

Denna anslutning är gjord för att användas ihop med externa fjärrsystem t.ex. Xantech™ med Video Link™ (säljs separat av systeminstallatörer). Detta ger dig möjlighet att styra RCC-1055 med fjärrkontrollen från andra rum än där apparaten finns installerad. Kontakta din återförsäljare för Rotel för mer information.

Video Link och Xantech är varumärken från Xantech Corporation.

Fjärrkontrollens batterier

Medföljande batterier måste installeras innan fjärrkontrollen kan användas. Dra ner glidlocket tills det stoppar. Tryck försiktigt på den lilla triangel-symbolen och dra ner locket ytterligare så att batterifacket syns. Stoppa in batterierna enligt illustrationen. Kontrollera att fjärrkontrollen fungerar korrekt och stäng sedan locket. När batterierna är svaga kan inte fjärrkontrollen styra RCC-1055 korrekt. Byte av batterier löser det problemet.

OBS! *Avlägsna batterierna ur fjärrkontrollen om den inte skall användas på en längre tid. Lämna aldrig uttjänta batterier i fjärrkontrollen. De kan läcka frätande vätskor som skadar fjärrkontrollen.*

12V Trigger ingång **15**

RCC-1055 kan aktiveras med en 12 volt triggersignal (aktiveringssignal) från t.ex. ett Rotel försteg. Triggeringängen accepterar alla typer av signaler (växelström eller likström) mellan 3-30 volt. När en kabel är ansluten till 12 volts ingången och en aktiveringssignal skickas aktiveras RCC-1055. När aktiveringssignalen stängs av sätts CD-spelaren i standby-läge. Frontpanelens indikeringslampa är fortfarande tänd, men displayen släcks och CD-spelaren är ej aktiv längre.

OBS! *Vid användning av 12V Triggersignal ska strömbrytaren vara i ON-läge (på).*

Computer I/O anslutningen **14**

RCC-1055 kan styras från en persondator genom att använda ett dataprogram (från en tredje parts leverantör) som kan styra audiosystem. Denna styrning sker genom att styrkoder sänds (vanligtvis från fjärrkontrollen RR-D92) från en dator via en ansluten kabel.

Anslutningen COMPUTER I/O, har de nödvändiga anslutningarna på RCC-1055s baksida. De använder RJ-45, 8-pins modularkontakt som är vanligt i ett 10-BaseT UTP Ethernet nätverk.

För ytterligare information om anslutningarna, mjukvaran och styrkoder för dator gällande RCC-1055 kontakta din återförsäljare för Rotel.

Ladda CD-skivor

CD-släden **8** och OPEN/CLOSE-knappen **6** **19**

Tryck på OPN/CLS-knappen på antingen frontpanelen eller fjärrkontrollen för att öppna CD-släden. Placera CD-skivan i något av de numrerade CD-facken med etikettsidan upp. Se till att skivan placerats i mitten av CD-facken. Både 12 cm standard-skivor och 8 cm skivor kan laddas. Det finns ett speciell fördjupning för 8 cm skivor. När CD-släden är ute kan 3 st. CD-skivor laddas. För att ladda skivor på de två övriga facken så tryck på Disc-knappen **7** **24** för att rotera på CD-släden. Tryck på OPN/CLS-knappen igen när du är färdig med att ladda CD-skivor.

OBS! *Tryck inte in CD-släden med handen. Släden kan skadas av detta. Använd OPN/CLS-knappen. Rör inte den roterande delen på CD-släden när den roterar. Försök inte att rotera släden för hand då detta också kan medföra skador. Använd DISC-knappen och låt släden rotera färdigt innan du laddar eller tar ur en CD-skiva.*

Du kan även ladda CD-skivor när RCC-1055 spelar. Tryck på OPN/CLS-knappen för att öppna CD-släden. Tre av de fyra CD-facken är tillgängliga för att ladda CD-skivor. Tryck på DISC-knappen för att komma till det återstående facket. Tryck på OPN/CLS-knappen när du är klar med att ladda CD-skivor.

DISC-knapparna **7** och **24**

De har två funktioner. En är att rotera på CD-släden när du laddar CD-skivor som beskrivits tidigare.

OBS! *Rotera inte CD-släden med handen, använd DISC-knappen. Rör inte CD-släden när den roterar.*

Den andra funktionen är att välja den CD-skiva som skall spelas. Nästa högre nummer väljs varje gång DISC-knappen trycks. Om CD-skiva 5 spelas väljs CD-skiva 1 när man trycker på DISC-knappen.

Trycker man på DISC-knappen när ingen CD-skiva spelas, väljs nästa CD-skiva. Om DISC-knappen trycks när en CD-skiva spelas, stoppar RCC-1055 spelningen av aktuell CD-skiva och väljer nästa CD-skiva samt börjar spela på låt nummer 1.

Att välja CD-skiva

Man kan även fjärrkontrollen med välja vilken CD-skiva som skall spelas.

DISC 1-5 knappar **27**

(endast fjärrkontroll)

Tryck på det knappnummer som motsvarar den CD-skiva du vill spela. Vid tryck på någon av DISC 1-5 knapparna när en CD-skiva inte spelas väljs den CD-skivan som motsvaras av knappen. Vid tryck på någon av DISC 1-5 knapparna när en CD-skiva spelas stoppar RCC-1055 spelningen på aktuell skiva och börjar spela på den valda CD-skivan och spelar låt nummer 1.

Att spela CD-skivor

PLAY-knappen **9** och **21**

Tryck på PLAY-knappen för att starta spelning av CD-skivan vars nummer visas i displayen. Spelningen startar på låt nummer 1 om inget annat valts innan tryckning på PLAY-knappen.

Om inte REPEAT-knappen tryckts in gäller följande:

- Efter sista låten på CD-skiva 1-4 kommer spelning att fortsätta på nästa CD-skiva på låt nummer 1.
- Vid slutet av CD-skiva 5 stoppas spelningen.

Se mer information i avsnitten om REPEAT-knappen.

Om CD-slåden är öppen kommer den att stängas. Antalet låtar som spelats och den spelade tiden visas i displayen tillsammans med texten "PLAY". Normalt startar en spelning med första låten. Du kan också välja vilken låt den skall börja spela med TRACK-knapparna eller DIRECT ACCESS-knapparna, (se nedan), före du trycker på PLAY-knappen.

PAUSE-knappen **11** **22**

Denna knapp används för att tillfälligt pausa en spelning. För att fortsätta en spelning på samma låt och tid, tryck på PAUSE-knappen igen eller på PLAY-knappen.

STOP-knappen **10** **26**

Denna knapp stoppar en spelning. Trycker du på PLAY-knappen igen startar CD-spelaren på samma CD-skiva men från första låten.

TRACK-knapparna **12** **20**

När en skiva inte spelas:

- Tryck på ►►I knappen för att välja nästa låt på CD-skivan. Tryck och håll ner ►►I knappen för att komma fram till fler låtnummer än ett.
- Tryck på I◄◄ knappen för att komma till låten tidigare. Tryck och håll ner I◄◄ knappen för att backa till fler låtnummer än ett.

När en CD-skiva spelas:

- Tryck på ►►I knappen för att hoppa över resten på låten och börja spela nästa låt. Tryck och håll ner ►►I knappen för att komma fram till fler låtnummer än ett.
- Tryck på I◄◄ knappen för att återgå till början av låten som spelas. Tryck och håll ner I◄◄ knappen för att backa till fler låtnummer än ett.

Track-knapparna (låtval) **28**

(endast fjärrkontroll)

För att välja en specifik låt på en CD-skiva tryck på motsvarande knapp för låtnumret. Den valda låten börjar genast spela. För att välja ett låtnummer som är högre än 10 använd ">10" knappen. T.ex. för att välja låtnummer 17 tryck på ">10" knappen och sedan "7".

OBS! När RCC-1055 är i programmeringsläge används Track-knapparna för att välja vilka låtar som skall läggas till i programmet. Se mer i avsnittet om Programmerad spelning.

SEARCH-knapparna **23**

(endast fjärrkontroll)

Söknappar. Tryck och håll nere ►► eller ◄◄ för att snabbt söka framåt eller bakåt i låten. De första fem sekunderna är sökhastigheten ca. fyra gånger snabbare än normal spelhastighet. Efter ca. tre sekunder ökar sökhastigheten till ca. tjugo gånger normal spelhastighet. Ljudnivån sänks när sökfunktionen används. Sökfunktionen kan användas när spelningen tillfälligt stoppats med PAUSE-knappen, men då hörs inget ljud. Sökfunktionen söker endast på den aktuella CD-skivan.

Om HDCD® **3**

HDCD-skivor är kodade med en större datamängd. Vid uppspelning avkodas denna signal till en vanlig digital signal. HDCD-tekniken reducerar kraftigt de fel som annars kan uppstå i en vanlig D/A eller A/D-omvandling. HDCD-tekniken aktiveras helt automatiskt och lysdiod 3 tänds när en HDCD-kodad skiva spelas.

OBS! Det finns CD-skivor som innehåller låtar med både HDCD-kodning och låtar utan kodning. Då tänds och släcks lysdioden beroende på om låten är HDCD-kodad eller ej.

Displayen **5**

Indikatorn för DISC **A**, (CD-skivorna) visar i vilka CD-fack som innehåller en CD-skiva.

Indikatorn för PLAY **B** lyser när en CD-skiva spelas.

Indikatorn för PAUSE **C** lyser när en spelning tillfälligt stoppats med PAUSE-knappen.

Indikatorn för skival **D** visar siffran för den CD-skiva som är aktuell. Om REMAIN-funktionen är aktiverad ändras indikatorn för skival till "-". Se mer i avsnittet om tidsvisning.

Indikatorn för TRACK **E**, låtval, visar antingen låten som är vald, det totala antalet låtar på CD-skivan eller antalet låtar som är kvar att spela på CD-skivan. Se mer i avsnittet för tidsvisning.

Indikatorn för REPEAT **F** lyser när en av repeterings-funktionerna är aktiverade. Se mer i avsnittet för repetering.

Indikatorn för RANDOM **G**, lyser när någon av slumpvals-funktionerna är aktiverade. Se mer i avsnittet för slumpvals-spelning.

Indikatorn för PROGRAM **H**, lyser när någon av programmerings-funktionerna är aktiverade. Se mer i avsnittet för programmering.

Indikatorn för INTRO **I**, lyser när INTRO-funktionen är aktiverad. Se mer i avsnittet för INTRO.

Indikatorn för REMAIN **J**, lyser när någon av tids-funktionerna är aktiverade. Se mer i avsnittet för TIME.

Indikatorn för TIME **K**, lyser och visar den totala speltiden på CD-skivan som är vald, tiden som spelats på den aktuella låten, återstående tid som är kvar på den aktuella låten eller kvarvarande tid på den aktuella CD-skivan. Se mer i avsnittet för TIME.

I displayen finns siffrorna 1-16, **L**, i kalenderformat som visar antalet låtar som kan spelas på den aktuella CD-skivan. Om den aktuella CD-skivan har fler än 16 låtar visas indikatorn **M**.

När en CD-skiva är vald visas antalet låtar i "kalendern" som finns på CD-skivan. Det aktuella låtnumret som spelas blinkar. När en låt spelats släcks dess låtnummer i "kalendern". Om det är fler än 16 låtar och låt 16 har avslutats spelas blinkar indikatorn **N**. Indikatorn för låtnummer visar antalet låtar som spelats eller antalet låtar som är kvar att spela beroende på vad som är aktiverat i TIME-funktionen.

När programmerade låtar spelas lyser endast de låtnummer för låtarna som programmerats. Siffran för den låt som spelas blinkar under spelningen och släcks när låten är slut. Se mer i avsnittet om programmering.

TIME-knappen **25**

(endast fjärrkontrollen)

När CD-skiva är vald men inte spelas visas den totala speltiden på hela CD-skivan och antalet låtar i displayen. När en CD-skiva spelas visas låtens nummer och hur mycket som spelats av låten. Tryck på TIME-knappen för att ändra visning i displayen.

Each/Remain-funktionen

Tryck på TIME-knappen en gång för att aktivera Each/Remain-funktionen (återstående tid). Indikatorn för REMAIN tänds. TRACK indikatorn visar vilket låtnummer som spelas. TIME-funktionen visar den återstående tiden som är kvar att spela på den aktuella låten.

Total/Remain-funktionen

Tryck på TIME-knappen igen för att aktivera Total/Remain-funktionen. Indikatorn för REMAIN är tänd. TRACK indikatorn visar antalet låtar som återstår att spela. Indikatorn för DISC ändras från CD-skivans nummer till "-". TIME-indikatorn visar den återstående tiden på CD-skivan. Trycker man på TIME-knappen när Total/Remain-funktionen är aktiverad ändras displayen till normalläget. Det sker också när man stoppar en spelning och startar igen.

REPEAT-knappen **29**

(endast fjärrkontrollen)

Normalt spelas CD-skiva 1 till 5 och stannar när CD-skiva 5 är slut. Tryck på REPEAT-knappen för att aktivera repeterings-funktionen "Repeat 1 Track" som upprepar spelningen för den aktuella låten. Tryck på knappen igen för att aktivera "Repeat 1 Disc" som upprepar spelningen för hela CD-skivan. Tryck på knappen ytterligare en gång för att aktivera "Repeat All Disc" som upprepar spelningen på alla CD-skivor. REPEAT-funktionen kan avbrytas/aktiveras när som helst även om en CD-skiva spelas.

Repeat 1 Track (repetera en låt)

När repeterings-funktionen "Repeat 1 Track" är aktiverad visas "Repeat" och "1" i displayen. Om denna funktion aktiveras utan att någon skiva spelas så upprepas i stället den låt som spelas när man trycker på PLAY-knappen nästa gång. Om funktionen aktiveras när en CD-skiva spelas kommer den aktuella låten att upprepas.

TRACK-knappen fungerar normalt när repeterings-funktionen "Repeat 1 Track" är aktiverad. Om en ny låt väljs med TRACK-knappen kommer den att spela upprepat tills REPEAT-funktionen stängs av. SEARCH-knappen (sökfunktion) fungerar också normalt när repeterings-funktionen "Repeat 1 Track" är aktiverad. Du kan söka framåt och bakåt bland låtarna. Den låt som väljs kommer att spelas upprepat.

Om man aktiverar programmerad spelning kan man inte välja "Repeat 1 Track".

Repeat 1 Disc (repetera en CD-skiva)

När repeterings-funktionen "Repeat 1 Disc" är aktiverad visas "Repeat"; "1" och "Disc" i displayen. Om denna funktion aktiveras utan att någon skiva spelas så startas spelningen på låt 1 när man trycker på PLAY-knappen nästa gång. Efter den sista låten på CD-skivan upprepas spelningen från låt 1 igen. Om funktionen aktiveras när en CD-skiva spelas, fortsätter spelningen som vanligt. Efter den sista låten kommer spelningen starta från låt 1 på CD-skivan.

TRACK-knappen fungerar normalt när repeterings-funktionen "Repeat 1 Disc" är aktiverad. Om en ny låt väljs med TRACK-knappen kommer den att spela upprepat tills REPEAT-funktionen stängs av. SEARCH-knappen (sökfunktion) fungerar också normalt när repeterings-funktionen "Repeat 1 Disc" är aktiverad. Du kan söka framåt och bakåt bland låtarna. Den låt som väljs kommer att spelas upprepat.

Om man aktiverar programmerad spelning kan man inte välja "Repeat 1 Track".

Repeat All Discs (repetera alla CD-skivor)

När repeterings-funktionen "Repeat All Disc" är aktiverad visas "Repeat All Disc" i displayen. Alla låtar på alla CD-skivor spelas i en följd med start på den låt som väljs eller spelas. Efter den sista låten på CD-skiva 5 börjar spelningen om på CD-skiva 1 på låt 1. Alla CD-skivor fortsätter att spela i en följd tills "Repeat All Disc"-funktionen stängs av.

"Hopp"-funktionen "Disc Skip" och sökfunktionen "Disc Search" fungerar normalt när "Repeat All Disc"-funktionen är aktiverad.

Om programmerings-funktionen är aktiverad spelas låtarna i programmet i en följd. När den sista låten i programmet spelats fortsätter spelningen med den första låten i programmet. Se mer i avsnittet för programmering.

TRACK-knappen och SEARCH-knappen fungerar normalt när repeterings-funktionen "Repeat All Disc" är aktiverad.

RANDOM-knappen 30

(endast fjärrkontrollen)

Denna knapp styr CD-växlaren att spela låtarna från CD-skivor i slumpmässig ordning. Tryck på RANDOM-knappen för att aktivera funktionen. Tryck på knappen igen för att avaktivera funktionen. När RANDOM-knappen är aktiverad visas "RANDOM" i displayen **G**.

Om RANDOM-knappen aktiveras när en CD-skiva inte spelas väljs en låt slumpmässigt när PLAY-knappen trycks. Om en CD-skiva spelas när RANDOM-knappen aktiveras väljs en annan låt slumpmässigt och börjar spelas.

RANDOM-funktionen ställas in för slumpmässig avspelning på endast en CD-skiva. Tryck på RANDOM-knappen **30** när en CD-skiva inte spelas, välj den CD-skiva som skall spelas med DISC-knappen **27**. När du sedan trycker på PLAY-knappen spelas låtarna i slumpmässig ordning.

Om TRACK-knappen **▶▶** (framåt) trycks när en CD-skiva spelas i RANDOM-läget väljer CD-växlaren slumpmässigt en annan låt. Om TRACK-knappen **◀◀** (bakåt) trycks när en CD-skiva spelar börjar spelningen om på samma låt från början.

SEARCH-funktionen **▶▶** (sökning framåt) fungerar normalt när RANDOM-knappen är aktiverad. Om du söker framåt till slutet på en låt väljs en annan låt slumpmässigt för spelning. SEARCH-funktionen **◀◀** (sökning bakåt) söker bakåt i låten som spelas.

RANDOM-funktionen kan användas samtidigt med programmead spelning. Om RANDOM-knappen aktiveras efter det att några låtar programmerats spelas de i slumpmässig ordning.

OBS! För att använda båda dessa funktioner tillsammans måste RANDOM-knappen aktiveras efter det att låtarna programmerats. Programmerad avspelning kan ej aktiveras om RANDOM-knappen aktiverats före.

Om "Repeat 1 Track" eller "Repeat All Disc" är aktiverade blir de avaktiverade när RANDOM-funktionen och "Repeat All Disc"-funktionen är på. RANDOM-funktionen och "Repeat All Disc"-funktionen kan användas ihop.

Intro Scan-knappen 31

(endast fjärrkontroll)

Intro Scan-funktionen ger dig möjlighet att lyssna ett kort stycke i början av varje låt. Tryck på SCAN-knappen för att aktivera funktionen. Tryck på SCAN-knappen igen eller på STOP-knappen för att avaktivera funktionen. När Intro Scan-funktionen är aktiverad visas "INTRO" **I** i displayen.

Om programmerad avspelning inte är aktiverad spelas 10 sekunder av varje CD-skiva i en följd med start på den aktuella låten som är vald. INTRO-funktionen avslutas när sista låten på sista CD-skivan spelats. Om programmerad spelning är aktiverad spelas 10 sekunder av varje programmerad låt tills sista låten är spelad och då stoppar INTRO-funktionen.

Om INTRO-knappen aktiveras när det inte spelas någon CD-skiva, börjar spelningen på den låt som väljs. Om en CD-skiva spelas när man aktiverar INTRO-funktionen "hoppas" RCC-1055 till nästa låt och börjar spela 10 sekunder och fortsätter på alla följande låtar. Det finns ett undantag, om INTRO-funktionen aktiveras när de första 10 sekunderna spelas på en låt. Då spelas endast den tid som kvarstår av de 10 första sekunderna på den låten. RCC-1055 hoppar sedan till nästa låt och fortsätter INTRO-funktionen.

INTRO-funktionen fungerar ihop med RANDOM (slumpval), programmerad spelning och REPEAT-funktionen (upprepning). Kombinationer med dessa funktioner är ovanliga. T.ex. om både INTRO och REPEAT aktiveras, spelas 10 sekunder av varje låt i upprepad följd. Om både INTRO och RANDOM aktiverats spelas 10 sekunder av varje slumpmässigt vald låt. Om INTRO och programmerad spelning är aktiverade, spelas 10 sekunder av varje låt i programmet. Om även "REPEAT ALL" är aktiverad, spelas de första 10 sekunderna på varje låt i programmet och upprepas hela tiden. Andra möjliga kombinationer är möjliga men kommer förmodligen aldrig att användas.

Programmerad spelning

Upp till 32 låtar totalt från alla CD-skivor kan väljas till programmet. När ett antal låtar programmerats för spelning, spelas de i den programmerade ordningen. Alla programmerings-funktioner utförs med fjärrkontrollen.

PROGRAM-knappen 32

(endast fjärrkontrollen)

PROGRAM-knappen aktiverar programmerings-funktionen Av/På. När programmerad-spelning är aktiverad visas indikatorn "PROGRAM" **H** i displayen.

När en grupp av låtar är programmerade spelas endast de låtarna tills programmerings-funktionen är avaktiverad. Tryck på PROGRAM-knappen för att avbryta programmet och ta bort de programmerade låtarna samt återgå till normal spelning. Programmerade låtar tas även bort när man öppnar CD-slåden eller när man stänger av apparaten.

Programmering av låtar

Programmera då CD-skivan spelar.

Tryck på PROGRAM-knappen **32** och PROGRAM-indikatorn **H** tänds i displayen. Låten som spelas när PROGRAM-funktionen aktiverats blir den första låten i programmet. TIME-visningen **K** visar kort i displayen "P-01" som visar att låten är programmerad som låt 1. Om nästa låt som du vill programmera finns på samma CD-skiva använder du TRACK-knapparna **28** för att välja nästa låt. Om nästa låt som du vill lägga till i programmet finns på en annan CD-skiva använder du DISC-knappen **27** för att välja nästa CD-skiva. TRACK och TIME-visningen ändras för att indikera att en ny låt valts. TIME-visningen **K** visar en kort stund "P-02" i displayen för att indikera att låtval 2 är programmerad. Fortsätt att välja ny CD-skiva (om nödvändigt) och låtar tills du programmerat alla låtar du önskar. Tryck sedan på PLAY-knappen för att spela de programmerade låtarna.

Programmerings-exempel

När CD-skiva 4 / låt 7 spelar...

Tryck på knapp(ar)

Resulterar i

Program-knappen

CD-skiva 4 / låt 7 blir låtval 1

TRACK-knapp 3

CD-skiva 4 / låt 3 blir låtval 2

DISC-knapp 2, därefter TRACK-knapp 6

CD-skiva 2 / låt 6 blir låtval 3

TRACK-knappar >10 därefter 1

CD-skiva 2 / låt 11 blir låtval 4

DISC-knapp 5 därefter TRACK-knapp 9

CD-skiva 5 / låt 9 blir låtval 5

TRACK-knapp 7

CD-skiva 5 / låt 7 blir låtval 6

TRACK-knapp 4

CD-skiva 5 / låt 4 blir låtval 7

DISC-knapp 1, sedan TRACK-knappar > 10 därefter 2

CD-skiva 1 / låt 12 blir låtval 8

TRACK-knapp 10

CD-skiva 1 / låt 10 blir låtval 9

Programmering när en CD-skiva inte spelas

Tryck på PROGRAM-knappen **32** och då visas PROGRAM-indikatorn **H** i displayen. Om låten finns på den CD-skiva som spelas tryck då på TRACK-knapp(arna) **28** för att välja första låten i programmet. TIME-visningen ändras till "P-01" i en kort stund och indikerar att låten är nu låtval 1 i programmet. Om låten, du vill skall vara ditt första låtval i programmet, finns på en annan CD-skiva använder du DISC-knappen **27** för att välja en annan CD-skiva. Välj sedan låt med TRACK-knapparna. Om nästa låt som du vill programmera finns på samma CD-skiva använder du TRACK-knapparna för att programmera nästa låtval. Om nästa låt som du vill programmera finns på en annan CD-skiva använd DISC-knappen för att byta till en annan CD-skiva. TRACK och TIME-visningen i displayen ändras för att indikera att ett låtval är utfört. TIME-visningen **K** ändras en kort stund till "P-02" som indikerar att låtval 2 är programmerat. Fortsätt att välja andra CD-skivor (om nödvändigt) och låtar tills du har programmerat alla låtar som du vill ha med i programmet.

Programmerings-exempel

När CD-skiva 3 är vald men inte spelas...

Tryck på knapp(ar)

Resultera i

PROGRAM-knapp

Programmerings-funktionen är aktiverad

TRACK-knapp 3

CD-skiva 3 / låt 3 blir låtval 1

TRACK-knapp 7

CD-skiva 3 / låt 7 blir låtval 2

DISC-knapp 4 sedan TRACK-knappar >10 därefter 4

CD-skiva 4 / låt 14 blir låtval 3

DISC-knapp 5 därefter TRACK-knapp 9

CD-skiva 5 / låt 9 blir låtval 4

TRACK-knappar >10 därefter 2

CD-skiva 5 / låt 12 blir låtval 5

DISC-knapp 1 därefter TRACK-knapp 8

CD-skiva 1 / låt 8 blir låtval 6

DISC-knapp 2 därefter TRACK-knapp 4

CD-skiva 2 / låt 4 blir låtval 7

TRACK-knapp 1

CD-skiva 2 / låt 1 blir låtval 8

Lägga till låtar i ett program

Du kan lägga till låtar till programmet när som helst, även efter det att du börjat spela programmerade låtar. Om låten som du vill lägga till finns på den CD-skivan som spelas väljer du enkelt den önskade låten med TRACK-knapparna. Använd DISC-knappen och TRACK-knappen för att välja en låt på en annan CD-skiva till programmet.

REVIEW-knappen **33**

(endast fjärrkontrollen)

Tryck på REVIEW-knappen för att överblicka de valda låtarna i programmet. Varje gång knappen trycks visas nästa CD-skiva/låt och programmets platsnummer. Denna funktion kan användas när som helst, under programmering, vid spelning av programmerade låtar eller när programmerade låtar inte spelas. Om du använder REVIEW-funktionen vid programmering eller när ett program spelas ändras displayen temporärt för visning av de programmerade låtarna för att sedan återgå till normal visning.

Spelning av programmerade låtar

När en grupp av låtar är programmerade tryck på PLAY-knappen för att spela programmet som startar på låtval 1. De programmerade låtarna spelas i den ordning som de är programmerade i tills den sista låten spelats. Då stannar spelningen.

När de programmerade låtarna spelas visas låtarnas nummer i programmet i den s.k. "låt kalendern" **L** i displayen. Låtens nummer blinkar när den spelas. PAUSE-knappen fungerar som vanligt när du spelar ett program. Om du trycker på STOP-knappen när ett program spelas återgår sedan spelningen till första låten i programmet när PLAY-knappen trycks igen. TRACK-knapparna fungerar normalt under en programmerad-spelning. Tryck på **▶▶▶**-knappen för att hoppa till nästa programmerade låt. Tryck på **◀◀◀**-knappen för att återgå till början på den programmerade låten som spelas. Tryck på **◀◀**-knappen igen för att hoppa till den föregående programmerade låten. TRACK-funktionen kan inte komma längre bakåt än till låtval 1 eller förbi sista låtvalet om inte REPEAT-funktionen är aktiverad.

SEARCH-funktionen fungerar också vid spelning av programmerade låtar. Tryck på ►► -knappen för att söka framåt. Om du söker fram till slutet av låten kommer nästa programmerade låt att spelas. Om du söker fram i den sista programmerade låten stoppas spelningen om inte REPEAT-funktionen är aktiverad. Tryck på ◀◀ -knappen för att starta sökning bakåt men sökningen går inte förbi början på den spelade låten.

Funktionen "Repeat All Disc" fungerar när programmerade låtar spelas. Övriga REPEAT-funktioner kan inte aktiveras. När REPEAT-funktionen aktiverats spelas den först programmerade låten efter det att den sista programmerade låten spelats färdigt. Likaså den första programmerade låten börjar spela när du trycker på ►► -knappen när den sista programmerade låten spelas eller om du trycker på ►► -knappen tills du kommer till slutet på densista programmerade låten.

Felsökning

De flesta problemen i ett audiosystem beror ofta på att anslutningar är felaktigt gjorda eller felaktig funktionsinställning. Om du stöter på problem, försök att lokalisera felet och kontrollera inställningarna. Försök att hitta orsaken till felet och vidta nödvändiga förändringar. Om du inte kan få fram något ljud ur RCC-1055, läs följande råd nedan på tänkta situationer:

Displayen lyser ej

DISC, TRACK, och TIME-funktionerna i displayen skall lysa när strömbrytaren på RCC-1055 är intryckt. Om de inte lyser kontrollera vägguttaget med en annan elektrisk produkt t.ex. en lampa. Var säker på att det uttag som används ej är styrt av en switch som inte är aktiverad.

Byte av säkring

Pröva först om en annan elektrisk produkt fungerar i det aktuella strömuttaget. Om så är fallet men strömindikatorn och displayen fortfarande är släckta när RCC-1055 är ansluten, indikerar detta att den interna säkringen är bränd. Om du tror att detta är fallet kontakta en auktoriserad Rotel återförsäljare för att få säkringen utbytt.

CD-skivan spelar inte

Om en CD-skiva inte börjar att spela när PLAY-knappen tryckts, öppna CD-slåden och kontrollera att CD-skivan är laddad med etiketten uppåt. Om CD-skivan är korrekt laddad kontrollera om CD-skivan är skadad eller dammig (smutsig). Om det finns damm eller andra partiklar på CD-skivan skall den rengöras enligt beskrivningen för "Hantering av CD-skivor" i tidigare avsnitt.

Inget ljud

Kontrollera kablarna mellan RCC-1055 och förstärkarens ingångar och försäkra dig om att de är korrekt anslutna. Kontrollera att rätt ingång i förstärkaren är vald på förstärkarens ingångsväljare. Kontrollera att Tape-Monitor funktionen på förstärkaren inte är aktiverad. Kontrollera kablarna mellan förstärkaren och högtalarna.

Avbrott i ljudet

Om ljudet från RCC-1055 hakar upp sig eller "hoppas runt" kan CD-skivan vara skadad eller smutsig. Om CD-skivan är ren pröva med en annan CD-skiva. Om problemet kvarstår det bero på vibrationer som stör RCC-1055. Ljudvibrationer, speciellt från en subwoofer kan störa laserpickupen när CD-skivan avläses. Flytta RCC-1055 till ett stabilare ställe eller öka avståndet till subwoofern.

Brum

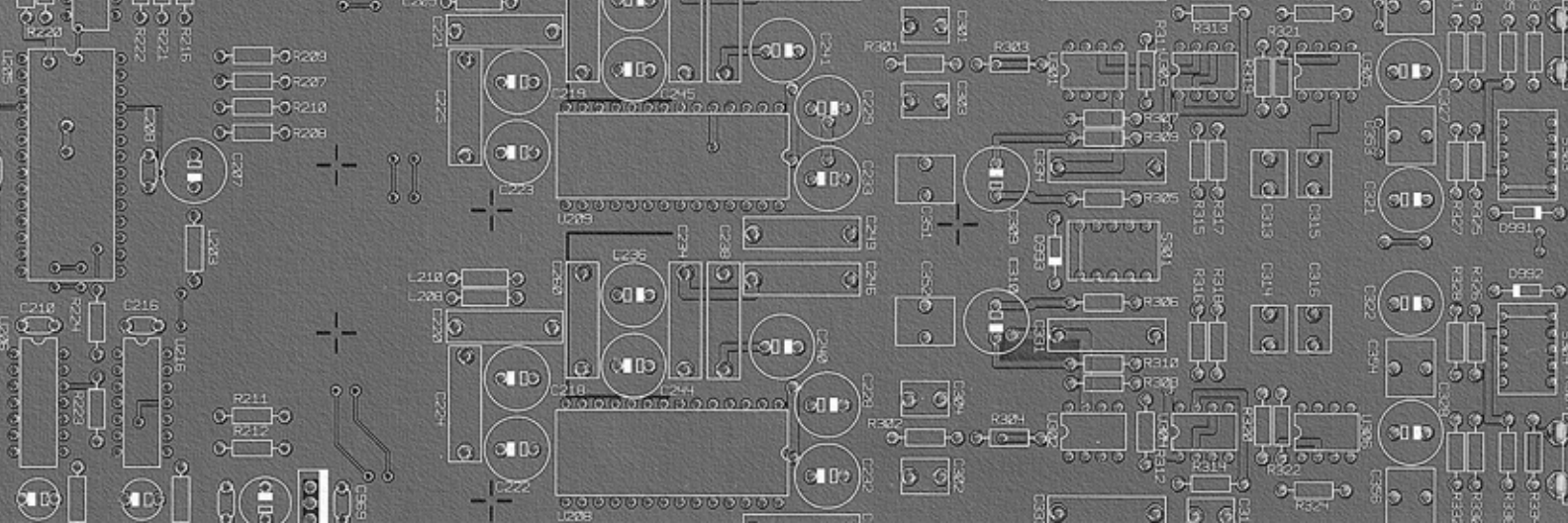
Brum skapas oftast av störningar från andra elektriska apparater. De kan lätt "fångas" upp av audiokablar. Använd kablar av hög kvalitet. Kablar av sämre kvalitet har oftast otillräcklig skärmning. Kontrollera att kablarna är korrekt anslutna till både RCC-1055 och förstärkaren. Försök att placera kablarna långt ifrån andra elektriska apparater, speciellt kraftiga slutsteg, som har stora nättransformatorer. Andra produkter som vanligtvis orsakar störningar är t.ex. lysrörsbelysning och ljusdimmer.

Specifikationer

Frekvensåtergivning (± 0.5 dB)	20-20,000Hz
Signal/Brus förhållande	> 100dB
Harmonisk Distortion + Brus	0,0045% vid 1kHz
Intermodulations Distortion	0,0045% vid 1kHz
Dynamikomfång	> 96dB
Kanal Balans	$\pm 0,5$ dB
Faslinjäritet	$\pm 0,5^\circ$
Hastighetsprecision, svaj och vibrationer	Kvartskristall precision
Digital till Analog omvandling	upp till 18 bits, multi-nivå Delta-Sigma AC med 8x översampling, digitalt filter och HDCD
Max utnivå linjeutgång / Impedans	2 volt / 100 Ohm
Digital utgångssignal / Impedans	0.5V i topparna / 75 ohm
Strömförsörjning	
USA versionen	115V, 60Hz
Europa versionen	230V, 50Hz
Strömförbrukning	15 Watt
Dimensioner (B, H, D)	432 x 121 x 410 mm
Frontpanelens höjd	109 mm
Vikt (netto)	7,8 kg

Alla specifikationer är korrekta vid tidpunkten för tryckning av denna bruksanvisning. Rotel reserverar sig rättigheten att ändra utan förvarning.

Rotel och Rotel HiFi logo är registrerade varumärken av Rotel Co, Ltd., Tokyo, Japan.



ROTEL®

The Rotel Co. Ltd.

10-10 Shinsen-Cho
Shibuya-Ku
Tokyo 150-0045
Japan
Phone: +81 3-5458-5325
Fax: +81 3-5458-5310

Rotel of America

54 Concord Street
North Reading, MA 01864-2699
USA
Phone: +1 978-664-3820
Fax: +1 978-664-4109

Rotel Europe

Dale Road
Worthing, West Sussex BN11 2BH
England
Phone: +44 (0)1903 221 600
Fax: +44 (0)1903 221 525

Rotel Deutschland

Kleine Heide 12
D-33790 Halle/Westf.
Germany
Phone: +49 05201-87170
Fax: +49 05201-73370

www.rotel.com

082 OMRCC-1055 091602

English • Français • Italiano • Español • Nederlands • Svenska

Free Manuals Download Website

<http://myh66.com>

<http://usermanuals.us>

<http://www.somanuals.com>

<http://www.4manuals.cc>

<http://www.manual-lib.com>

<http://www.404manual.com>

<http://www.luxmanual.com>

<http://aubethermostatmanual.com>

Golf course search by state

<http://golfingnear.com>

Email search by domain

<http://emailbydomain.com>

Auto manuals search

<http://auto.somanuals.com>

TV manuals search

<http://tv.somanuals.com>