

ROTEL hi-fi

ROTEL hi-fi

ROTEL hi-fi

ROTEL hi-fi

ROTEL hi-fi

ROTEL hi-fi

ROTEL hi-fi

ROTEL hi-fi

ROTEL hi-fi

ROTEL hi-fi

ROTEL hi-fi

ROTEL hi-fi

ROTEL hi-fi

ROTEL hi-fi

ROTEL hi-fi

ROTEL hi-fi

ROTEL hi-fi

ROTEL hi-fi

ROTEL hi-fi

ROTEL hi-fi

# RA-985BX

STEREO INTEGRATED AMPLIFIER

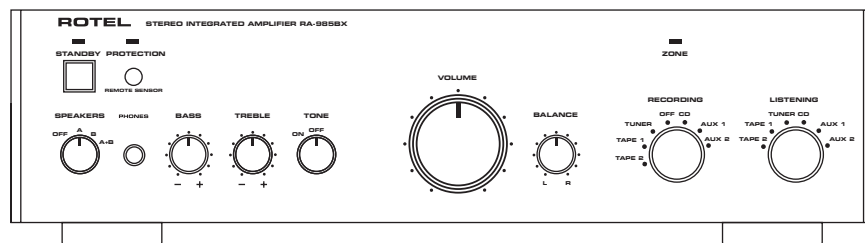
AMPLIFICATEUR INTÉGRÉ STÉRÉOPHONIQUE

STEREO-VOLLVERSTÄRKER

AMPLIFICATORE INTEGRATO

AMPLIFICADOR INTEGRADO

GEÏNTEGREERDE STEREO VERSTERKER



## Owner's Manual

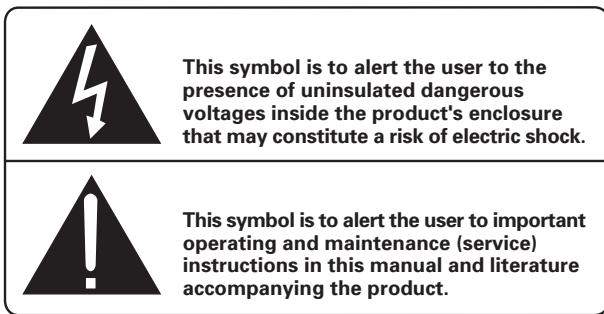
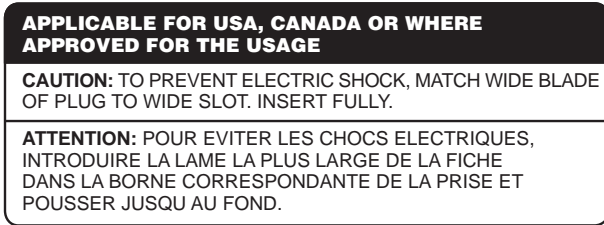
Manuel d'utilisation

Bedienungsanleitung

Manuale di Istruzioni

Manual de Instrucciones

Gebruiksaanwijzing



**WARNING:**

There are no user serviceable parts inside. Refer all servicing to qualified service personnel.

**WARNING:**

To reduce the risk of fire or electrical shock, do not expose the unit to moisture or water. Do not allow foreign objects to get into the enclosure. If the unit is exposed to moisture, or a foreign object gets into the enclosure, immediately disconnect the power cord from the wall. Take the unit to a qualified service person for inspection and necessary repairs.

Read all the instructions before connecting or operating the unit. Keep this manual so you can refer to these safety instructions.

Heed all warnings and safety information in these instructions and on the product itself. Follow all operating instructions.

Clean the unit only with a dry cloth or a vacuum cleaner.

You must allow 10cm, or 4 inches, of unobstructed clearance around the unit. Do not place the unit on a bed, sofa, rug, or similar surface that could block the ventilation slots. If the unit is placed in a bookcase or cabinet, there must be sufficient clearance around the unit and ventilation of the cabinet to allow proper cooling.

Keep the unit away from radiators, heat registers, stoves, or any other appliance that produces heat.

**The unit must be connected to a power supply only of the type and voltage specified on the rear panel of the unit.**

Connect the unit to the power outlet only with the supplied 2-pin polarized power supply cable or an exact equivalent. Do not modify the supplied cable in any way. Do not attempt to defeat grounding and/or polarization provisions. The cable should be connected to a 2-pin polarized wall outlet, matching the wide blade of the plug to the wide slot of the receptacle. Do not use extension cords.

Do not route the power cord where it will be crushed, pinched, bent at severe angles, exposed to heat, or damaged in any way. Pay particular attention to the power cord at the plug and where it exits the back of the unit.

The power cord should be unplugged from the wall outlet if the unit is to be left unused for a long period of time.

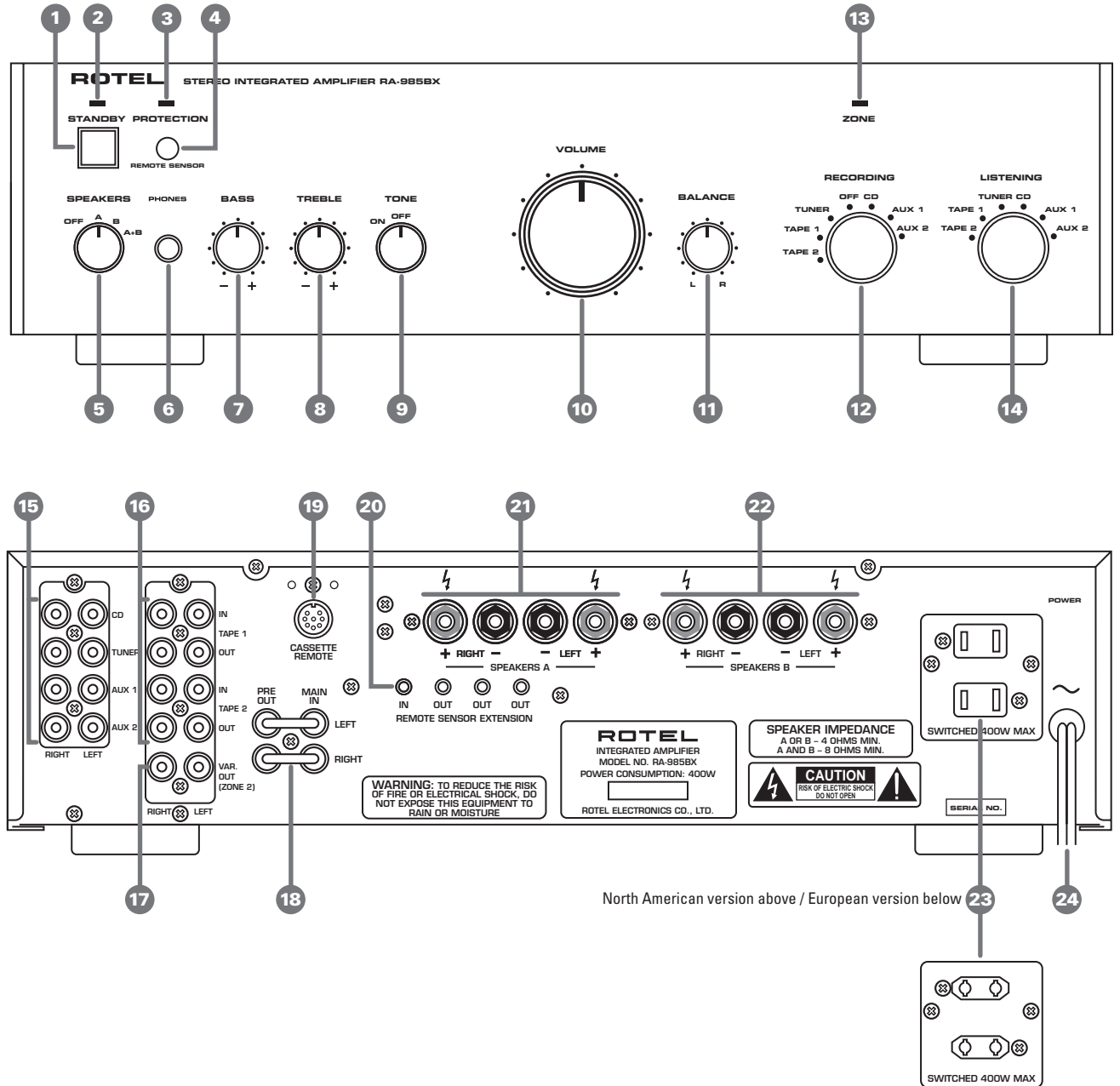
Immediately stop using the unit and have it inspected and/or serviced by a qualified service agency if:

- The power supply cord or plug has been damaged.
- Objects have fallen, or liquid has been spilled, into the unit.
- The unit has been exposed to rain.
- The unit shows signs of improper operation
- The unit has been dropped or damaged in any way

Place the unit on a fixed, level surface strong enough to support its weight. Do not place the unit on a moveable cart that could tip over.

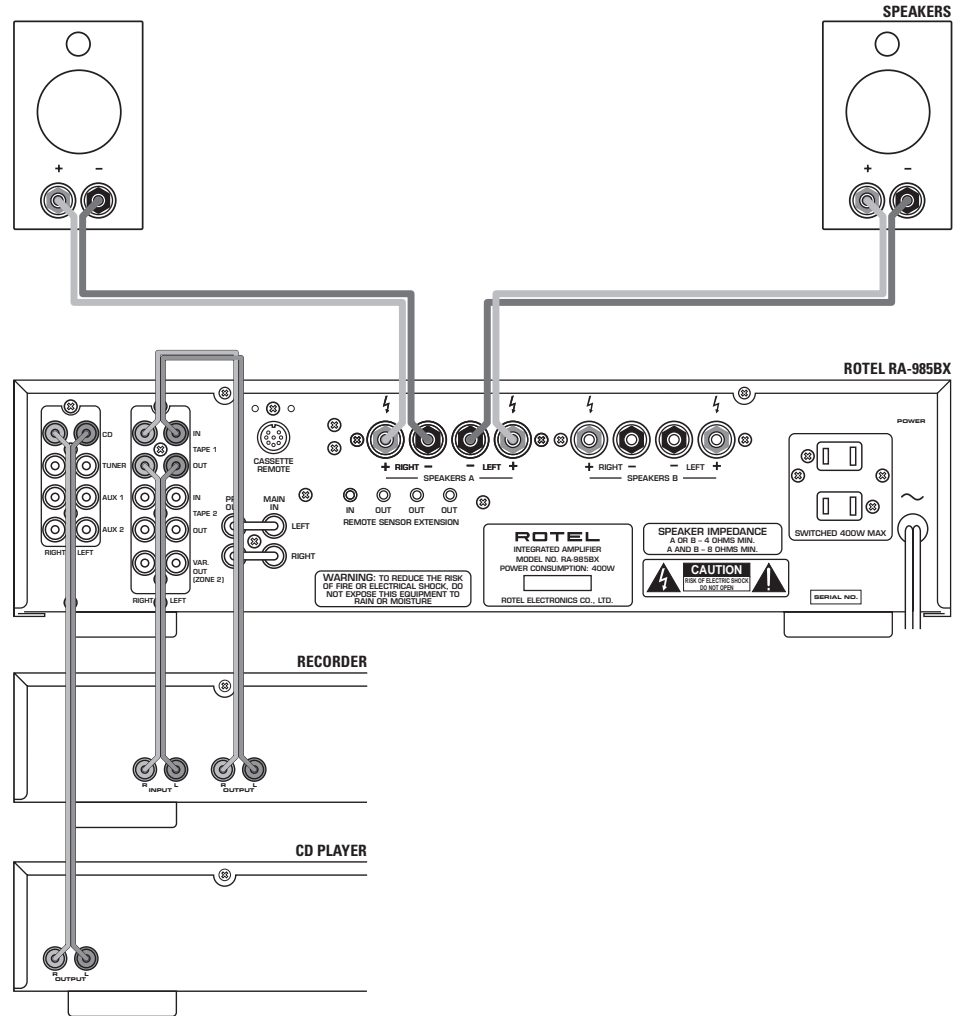


Figure 1: Controls and Connections  
 Commandes et branchements  
 Bedienelemente und Anschlüsse  
 Collegamenti d'ingresso  
 Controles y Conexiones  
 De bedieningsorganen en de aansluitingen

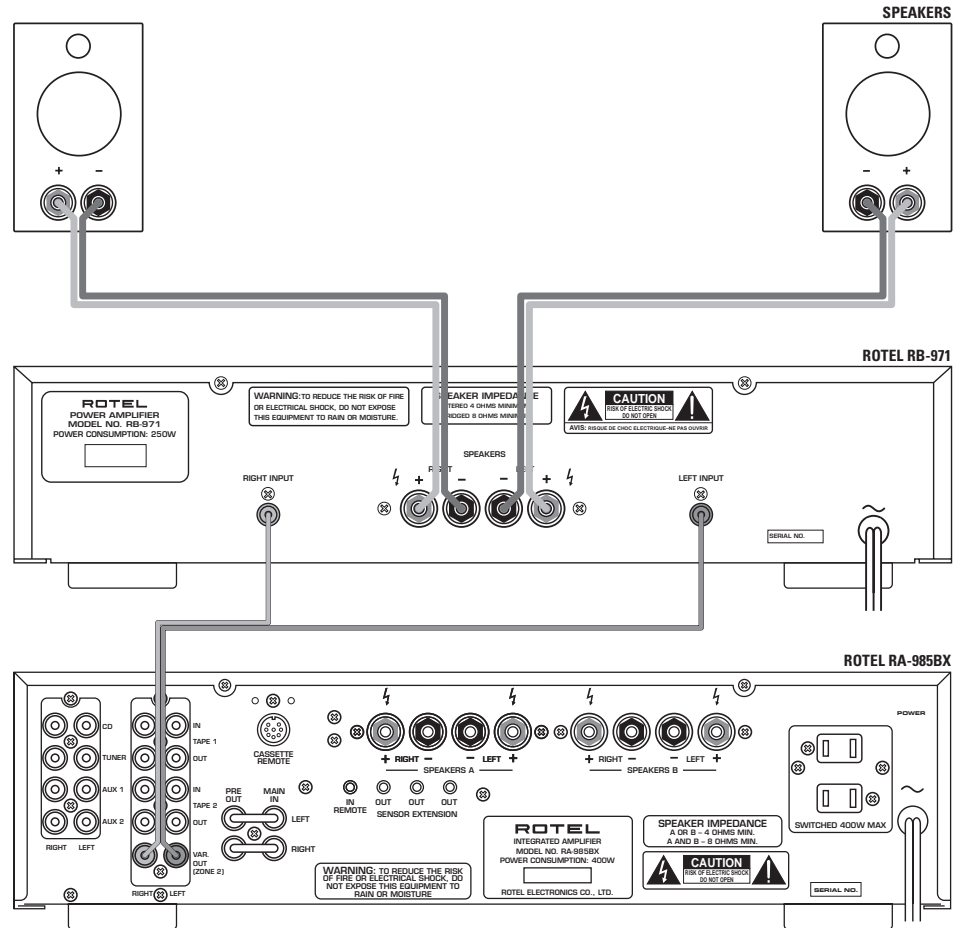


North American version above / European version below

**Figure 2: Signal Input and Speaker Output Connection**  
**Branchements des entrées et sorties des enceintes acoustiques**  
**Eingangssignal- und Lautsprecheranschlüsse**  
**Collegamenti d'uscita del registratore**  
**Entrada de Señal / Conexión de Salida a las Cajas Acústicas**  
**De in- en uitgangsverbindingen**



**Figure 3: Second Zone Output Connection**  
**Branchements pour fonctionnement en pièce secondaire Zone 2**  
**Ausgangsanschlüsse für die 2. Zone**  
**Collegamenti d'uscita per la Seconda Zona**  
**Conexiones de Salida para la Segunda Zona**  
**De uitgangsverbindingen voor de tweede zone**



## Contents (circled numbers refer to illustration)

<b>About Rotel</b> _____	<b>1</b>
<b>Getting Started</b> _____	<b>1</b>
A Few Precautions	2
Placement	2
Cables	2
<b>AC Power and Control</b> _____	<b>2</b>
AC Power Input <b>24</b>	2
Power/Standby Switch <b>1</b> and Power Indicator <b>2</b>	3
Auxiliary Power Outputs <b>23</b>	3
<b>Input Signal Connections</b> <b>15</b> _____	<b>3</b>
<b>Recorder Connections</b> <b>16</b> _____	<b>3</b>
<b>Second Zone Output Connection</b> <b>17</b> _____	<b>3</b>
<b>Preamp/Power Amp Jumpers</b> <b>18</b> _____	<b>3</b>
<b>Cassette Remote Connector</b> <b>19</b> _____	<b>3</b>
<b>Remote Sensor Extension System</b> <b>20</b> _____	<b>4</b>
<b>Speaker Outputs</b> <b>21</b> and <b>22</b> _____	<b>4</b>
Speaker Selection	4
Speaker Wire Selection	4
Polarity and Phasing	4
Speaker Connection	4
<b>Front Panel Controls</b> _____	<b>4</b>
Volume Control <b>10</b>	4
Balance Control <b>11</b>	4
Tone Defeat Switch <b>9</b>	4
Bass Control <b>7</b> and Treble Control <b>8</b>	4
Speaker Selector Switch <b>5</b>	5
Listening Selector <b>14</b>	5
Recording Selector <b>12</b>	5
Phones Output <b>6</b>	5
Remote Sensor <b>4</b>	5
<b>Second Zone Operation</b> _____	<b>5</b>
Rec/Zone Button <b>28</b> and Zone Indicator <b>13</b>	5
Source Selector Buttons <b>27</b>	5
Zone Volume Buttons <b>31</b>	5
<b>RR-927 Remote Control</b> _____	<b>6</b>
Reprogramming	6
<b>Other Remote Control Functions</b> _____	<b>6</b>
Standby Power Buttons <b>25</b>	6
Mute Button <b>26</b>	6
Tuner Control Buttons <b>29</b>	6
Numeric Direct Access Buttons <b>30</b>	6
Volume Control Buttons <b>32</b>	6
Cassette Recorder Control Buttons <b>35</b>	6
Surround Sound Processor Buttons <b>34</b>	6
CD Player Control Buttons <b>33</b>	6
<b>Protection Circuitry</b> <b>3</b> _____	<b>7</b>
<b>Troubleshooting</b> _____	<b>7</b>
Standby Power Indicator Is Not Lit	7
Fuse Replacement	7
No Sound	7
Protection Indicator Is Lit	7
<b>Specifications</b> _____	<b>52</b>

## About Rotel

A family whose passionate interest in music led them to manufacture high fidelity components of uncompromising quality founded Rotel over 30 years ago. Through the years that passion has remained undiminished and the family goal of providing exceptional value for audiophiles and music lovers, regardless of their budget, is shared by all Rotel employees.

The engineers work as a close team, listening to, and fine tuning each new product until it reaches their exacting musical standards. They are free to choose components from around the world in order to make that product the best they can. You are likely to find capacitors from the United Kingdom and Germany, semi conductors from Japan or the United States, while toroidal power transformers are manufactured in Rotel's own factory.

Rotel's reputation for excellence has been earned through hundreds of good reviews and awards from the most respected reviewers in the industry, who listen to music every day. Their comments keep the company true to its goal – the pursuit of equipment that is musical, reliable and affordable.

All of us at Rotel thank you for buying this product and hope it will bring you many hours of enjoyment.

## Getting Started

Thank you for purchasing the Rotel RA-985BX Stereo Integrated Amplifier. When used in a high-quality music audio system, it will provide years of musical enjoyment.

The RA-985BX is a full featured, high performance component. All aspects of the design have been optimized to retain the full dynamic range and subtle nuances of your music. The RA-985BX has a highly regulated power supply incorporating a Rotel custom-designed toroidal power transformer and custom-made slit foil capacitors. This low impedance power supply has ample power reserves, which enables the RA-985BX to easily reproduce the most demanding audio signals. This type of design is more expensive to manufacture, but it is better for the music.

The printed circuit boards (PCB) are designed with Symmetrical Circuit Traces. This insures that the precise timing of the music is maintained and faithfully recreated. The RA-985BX circuitry uses metal film resistors and polystyrene or polypropylene capacitors in important signal paths. All aspects of this design have been examined with the final goal being faithful reproduction of music.

In addition the RA-985BX has several features that enhance its ease of operation and its system configuration flexibility. A full function remote control is provided that can operate several other Rotel tuners and cassette decks in addition to the RA-985BX. An IR remote control signal input/output system is provided. This feature, when used in conjunction with Xantech™ brand Video Link™ IR signal pick ups and repeaters (sold separately by custom system installers), enables the RA-985BX to pick up IR remote control signals and distribute them to other components. A preamp/power amp jumper set is provided that makes it easy to connect external components, such as surround sound processors. The unique Second Zone output system (when used with an additional power amplifier and speakers) lets the RA-985BX provide sound to another part of your home. You can even listen to a different signal source from the one being played by the main system.

The main functions of the RA-985BX are easy to install and use. If you have experience with other stereo systems, you shouldn't find anything perplexing. Simply plug in the associated components and enjoy.

## A Few Precautions

Please read this manual carefully. It provides information on how to incorporate the RA-985BX into your system as well as information that will help you get optimum sound performance. Please contact your authorized Rotel dealer for answers to any questions you might have. In addition, all of us at Rotel welcome your questions and comments.

Save the RA-985BX shipping carton and all enclosed packing material for future use. Shipping or moving the RA-985BX in anything other than the original packing material may result in severe damage to your amplifier.

Fill out and send in the owner's registration card packed with the RA-985BX. Also be sure to keep the original sales receipt. It is your best record of the date of purchase, which you will need in the event warranty service is ever required.

## Placement

Like all audio components that handle low-level signals, the RA-985BX can be affected by its environment. Do not stack the RA-985BX on top of a power amplifier. This will minimize the chance it will pick up hum or interference.

The RA-985BX generates heat as part of its normal operation. The heat sinks and ventilation openings in the amplifier are designed to dissipate this heat. The ventilation slots in the top cover must be open. There should be 10 cm (4 inches) of clearance around the chassis, and reasonable airflow through the installation location, to prevent the amplifier from overheating.

Remember the weight of the amplifier when you select an installation location. Make sure that the shelf or cabinet can support its considerable bulk. We recommend installing the RA-985BX in furniture designed to house audio components. Such furniture is designed to reduce or suppress vibration which can adversely affect sound quality. Ask your authorized Rotel dealer for advice about component furniture and proper installation of audio components.

## Cables

Be sure to keep the power cords, digital signal cables and regular audio signal cables in your installation away from each other. This will minimize the chance of the regular audio signal cables picking up noise or interference from the power cords or digital cables. Using only high quality, shielded cables will also help to prevent noise or interference from degrading the sound quality of your system. If you have any questions see your authorized Rotel dealer for advice about the best cable to use with your system.

## AC Power and Control

### AC Power Input 24

Because of its high power rating, the RA-985BX can draw considerable current. Therefore, it should be plugged directly into a 2-pin polarized wall outlet. Do not use an extension cord. A heavy duty multi-tap power outlet strip may be used if it (and the wall outlet) is rated to handle the current demanded by the RA-985BX and all the other components connected to it.

---

**Note:** Do not connect the power cord for a power amplifier to the auxiliary power outlets on the RA-985BX. Power amplifiers often draw more power than these outlets can provide.

---

Your RA-985BX is configured at the factory for the proper AC line voltage in the country where you purchased it (either 115 volts AC or 230 volts AC with a line frequency of either 50 Hz or 60 Hz). The AC line configuration is noted on a decal on the back panel.

---

**Note:** Should you move your RA-985BX amplifier to another country, it is possible to reconfigure it for use on a different line voltage. Do not attempt to perform this conversion yourself. Opening the enclosure of the RA-985BX exposes you to dangerous voltages. Consult a qualified service person or the Rotel factory service department for information.

---

If you are going to be away from home for an extended period of time such as a month-long vacation, it is a sensible precaution to unplug your amplifier (as well as other audio and video components) while you are away.

### Power/Standby Switch 1 and Power Indicator 2

The Power Indicator light above the Standby button is always illuminated when the RA-985BX is connected to a "live" AC outlet. When the Power/Standby is pressed the RA-985BX is turned on and the Volume Control LED is illuminated. Pressing the Standby switch again will put the RA-985BX in "standby" mode and the Volume Control LED is turned off.



## Auxiliary Power Outputs 23

North American models of the RA-985BX have two switched outlets on the back panel. Power is available from these outlets when the RA-985BX is turned on. Power to these outlets is turned off when the RA-985BX is in Standby mode. These outlets can provide up to a total of 400 watts. They are appropriate for supplying power to signal sources, such as CD players, tuners, or tape decks. They should not be used for power amplifiers. Connecting components that will draw more than 400 watts to these outputs could damage the Standby switch in the RA-985BX.

## Input Signal Connections 15

[See Figure 1 for input connection illustration.]

The RA-985BX has conventional RCA type input connectors, the type found on nearly all audio equipment.

**Note:** To prevent loud noises that neither you nor your speakers will appreciate, make sure the system is turned off when you make any signal connections.

All the inputs of the RA-985BX are "line level" inputs. These are appropriate for connecting components such as CD players, Hi Fi or NICAM Stereo video cassette recorders, tuners for audio or video, Laser Disc players or the analog output from a CD ROM drive. If you want to use a phonograph with the RA-985BX, an external phono equalizer, such as the Rotel RQ-970BX must be used.

The Left and Right channels are clearly labeled and should be connected to the corresponding channels of the source component. The Left RCA connectors are white, the Right connectors are red. Use high quality RCA cables for connecting input source components to the RA-985BX. Ask your authorized Rotel dealer for advice about cables.

## Recorder Connections 16

[See Figure 2 for recorder connection illustration.]

The Tape 1 and Tape 2 inputs and outputs can be connected to any record/playback device that accepts standard line level analog input and output signals. Typically that will be a conventional tape recorder.

When connecting a recorder to the RA-985BX remember that the *outputs* of the recorder must be connected to the *tape inputs* of the RA-985BX. Similarly the *tape outputs* of the RA-985BX must be connected to the *inputs* of the recorder. As with other sources be sure to connect the Left and Right channels of each device to the proper channels on the associated components. Use high quality connecting cables to prevent loss of sound quality.

*NOTE: Normally the signal supplied to the Recorder Outputs is selected by the Recording Selector 12. However when the Second Zone output function is used, the Recording Selector becomes the source selector for the Second Zone.*

## Second Zone Output Connection 17

[See Figure 3 for the Second Zone output connection illustration.]

This output (when used with an additional power amplifier and speakers) lets the RA-985BX provide sound to another part of your home. You can listen to a different signal source from the one being played by the main system or to the same source. See the Second Zone Operation section for more information.

## Preamplifier/Power Amp Jumpers 18

These connectors, labeled "Pre Out" and "Main In", are normally connected by a set of solid metal jumper connectors. They provide a convenient insertion point for virtually any type of signal processor. To use these connectors, pull out the jumper connectors. Using high quality cables, connect the "Pre Out" connectors to the inputs of the signal processor. Connect the outputs of the signal processor to the "Main In" connectors.

One of the most common uses for these connectors is to incorporate a surround sound processor into the system. Typically the front channel outputs from the signal processor are connected to the "Main In" of the RA-985BX. The other outputs from the signal processor are connected to other power amplifiers and speakers.

## Cassette Remote Connector 19

Some Rotel cassette decks can be operated by the RR-927 remote control that come with the RA-985BX. To use this feature connect a standard 8-pin DIN type cable between the Cassette Remote connector on the back of the RA-985BX and the connector on the back of the cassette deck. Control signals from the RR-927 remote control are pick up by the Remote Sensor on the front of the RA-985BX and passed to the cassette deck via the cable.

## Remote Sensor Extension System 20

These connectors, when used in conjunction with Xantech™ brand Video Link™ IR signal pick ups and repeaters (sold separately by custom system installers), enable the RA-985BX to pick up IR remote control signals and distribute them to other components. Contact your authorized Rotel dealer for more information.

*Video Link and Xantech are Trademarks of Xantech Corporation.*



## Speaker Outputs 21 and 22

The RA-985BX has two sets of speaker outputs, labeled "A" and "B". The Speaker Selector 5 on the front panel controls which set(s) of speakers are operating.

### Speaker Selection

If only one set of speakers will be played at any one time, the speakers may have an impedance as low as 4 ohms. If both the A and B sets of speakers will be operated at the same time the speaker should have an impedance of 8 ohms or more. Speaker impedance ratings are less than precise. In practice, very few loudspeakers will present any problems for the RA-985BX. See your authorized Rotel dealer if you have any questions.

### Speaker Wire Selection

Use insulated two-conductor stranded wire to connect the RA-985BX to the speakers. The size and quality of the wire can have an audible effect on the performance of the system. Standard speaker wire will work, but can result in lower output or diminished bass response, particularly over longer distances. In general, heavier wire will improve the sound. For best performance, you may want to consider special high-quality speaker cables. Your authorized Rotel dealer can help in the selection of appropriate cables for your system.

### Polarity and Phasing

The polarity — the positive/negative orientation of the connections — for every speaker and amplifier connection must be consistent so all the speakers will be in phase. If the polarity of one connection is mistakenly reversed, bass output will be very weak and stereo imaging degraded. All wire is marked so you can identify the two conductors. There may be ribs or a stripe on the insulation of one conductor. The wire may have clear insulation with different color conductors (copper and silver). There may be polarity indications printed on the insulation. Identify the positive and negative conductors and be consistent with every speaker and amplifier connection.

### Speaker Connection

The RA-985BX has two sets of color coded binding posts on the back panel. These connectors accept bare wire, connector lugs, or dual banana type connectors (except in the European Community countries where their use is not permitted).

Route the wire from the RA-985BX to the speakers. Give yourself enough slack so you can move the components to allow access to the speaker connectors.

If you are using dual banana plugs, connect them to the wires and then plug into the backs of the binding posts. The thumbscrews of the binding posts should be screwed in all the way (clockwise).

If you are using terminal lugs, connect them to the wires. If you are attaching bare wires directly to the binding posts, separate the wire conductors and strip back the insulation from the end of each conductor. Be careful not to cut into the wire strands. Unscrew (turn counterclockwise) the binding post thumbscrews. Place the connector lug or wire around the binding post shaft. Turn the thumbscrews clockwise to clamp the connector lug or wire firmly in place.

---

**Note:** Be sure there are no loose wire strands that could touch adjacent wires or connectors.

---

## Front Panel Controls

### Volume Control 10

The Volume control increases or decreases the volume in both channels at the same time. Turn it *clockwise* to increase the volume and *counterclockwise* to decrease the volume.

### Balance Control 11

The Balance Control alters the relative volume level of the two channels. Turn the Balance Control to the right to make the right channel louder. Turn it to the left to make the left channel louder.

### Tone Defeat Switch 9

When the Tone Defeat switch is set to "On" the Bass and Treble tone controls can be used to adjust the bass and treble content of the sound. When the Tone Defeat switch is set to "Off" the tone controls are removed from the signal path. If you are not using the tone controls leave the Tone Defeat switch in the "Off" position to ensure the purest possible sound.

### Bass Control 7 and Treble Control 8

When the Tone Defeat switch is set to "On" turning the tone controls *clockwise* increases the bass or treble output. Turning the controls *counterclockwise* decreases the bass or treble output.

## Speaker Selector Switch 5

When the Speaker Selector switch is set to A, speakers connected to the Speaker A terminals 21 will play. When the switch is set to B, speakers connected to the Speaker B terminals 22 will play. When the switch is set to A+B, speakers connected to both sets of terminals will play. The switch may be set to "Off" when using headphones. See the information in the Speaker Selection section for important information on speaker impedance.

## Listening Selector 14

The setting of the Listening Selector controls which of the input sources is heard. The source selected is also the one that is routed through the Preamp/Power Amp Jumper.

## Recording Selector 12

The setting of the Recording Selector controls which of the input signals goes to the record outputs. When you are not recording, set the Recording Selector to the "Off" position to minimize the chance of interference from other components in the system.

Having a separate Recording and Listening selector adds a significant degree of flexibility in how you can use the RA-985BX. For example by setting the Record Selector to CD and the Listening Selector to Tuner you could record a CD onto a tape while listening to the tuner.

If you wish to duplicate ("dub") a recording from one recorder to another, the source unit should be connected to Tape 1 input. The Recording Selector should be set to Tape 1. The unit recording the signal should be connected to Tape 2 output.

**Note:** When the Second Zone output feature of the RA-985BX is used the Recording Selector becomes the source selector for second zone. You cannot record while the Second Zone feature is being used.

## Phones Output 6

The Phones output allows you to connect headphones for private listening. This output accommodates standard stereo phone (1/4") plugs. If your headphones have another type of plug, such as a 1/8" mini-plug, you will need an adapter plug. Contact your authorized Rotel dealer, to get the correct adapter plug. The speakers will continue to play if they have been turned on by the Speaker Selector. Set the Speaker Selector to "Off" if necessary.

## Remote Sensor 4

The Remote Sensor picks up the infra-red signals from the remote control. Do not cover or block the sensor. It must be unobstructed or the remote control will not work properly. The operation of the Remote Sensor can also be affected if it is exposed to bright light, particularly sunlight. In addition remote control functions may not work reliably if the batteries in the RR-927 are weak.

## Second Zone Operation

[See Figure 3 and the Second Zone Output Connection section for information on setting up a second zone.]

**Note:** All Second Zone functions are controlled by the RR-927 remote control. See the "Remote Control Function" section for more information

## Rec/Zone Button 28 and Zone Indicator 13

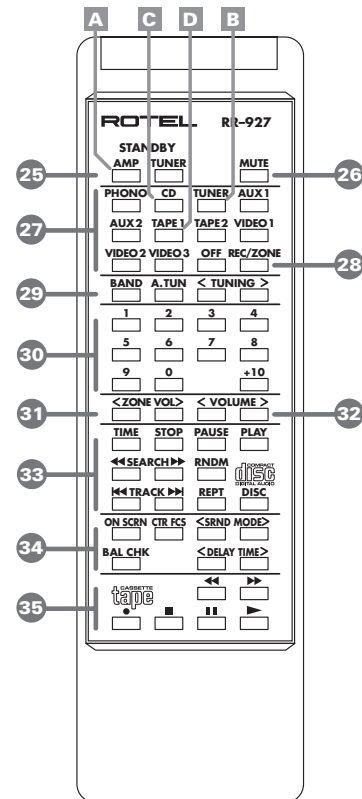
To activate the Second Zone function press the Rec/Zone button. The Second Zone Indicator will light. The Recording Selector will then function as the Second Zone source selector. Press the Rec/Zone button again to return the Recording Selector to its normal function. The Second Zone Indicator will turn off.

## Source Selector Buttons 27

When the Second Zone function is active the Source Selector buttons select the source for the second zone.

## Zone Volume Buttons 31

The buttons labeled "< Zone Vol >" control the volume of the Second Zone. Press the left button to turn the volume down and the right button to turn the volume up.



Buttons A, B, C and D are used to program the remote. See the following section.

## RR-927 Remote Control

In addition to the Second Zone functions the RR-927 remote control duplicates most of the functions of the RA-985BX front panel controls. It can also operate all current 900 series remote controllable components. Depending on the components you have, it may be necessary to reprogram the RR-927 with a new "code" using the procedure described in the "Reprogramming" section. The RR-927 is initially preset to operate the following components:

- Amplifier (code A2) – RA-985BX, RA-945, RC-995
- Tuner (code B1) – RTC-940AX, RX-950AX, RT-940AX
- CD Player (code C1) – RCD-970BX, RCD-975
- Cassette Deck (code D1) – RD-960BX

### Reprogramming

To reprogram the RR-927 to operate a component other than those previously listed, *simultaneously* press the letter button and number for that component. See the table below for the letters/number combinations for various components.

Amplifier and Preamp codes: ("A" is "Amp / Standby" button)

- A1 - RTC-940AX, RTC-950AX, RX-950AX
- A2 - RA-985BX, RA-945, RC-972, RC-995
- A4 - RC-990BX

Tuner codes: ("B" is "Tuner" button)

- B1 - RTC-940BX, RTC-950AX, RX-950AX, RT-940AX
- B4 - RT-990BX

CD Player codes: ("C" is "CD" button)

- C1 - RCD-970BX, RCD-975, RCD-945AX / 955AX / 965BX
- C2 - RCC-935, RCD-940BX, RCC-940AX
- C3 - RCC-955, RCD-930AX, RCD-951, RCD971

Cassette Decks: ("D" is "Tape 1" button)

- D1 - RD960BX

Examples: To reprogram the RR-927 to operate the RT-990BX tuner, simultaneously press the Tuner button **B** and the 4 button. To reprogram the RR-927 to operate the RCD-930AX CD player simultaneously press the CD button **C** and the 3 button.

## Other Remote Control Functions

The information that follows assumes the amplifier control functions of the RR-927 are being used to operate the RA-985BX. Control functions for other components will vary.

### Standby Power Buttons 25

Press these buttons to turn on the RA-985BX or tuner. Press them again to return the components to standby mode.

### Mute Button 26

Press the Mute button to mute the output of the RA-985BX. Press it again to restore normal sound output. The Volume control LED blinks when the sound is muted.

### Tuner Control Buttons 29

These buttons duplicate the functions of the controls on the front panels of various Rotel tuners. See the instruction manual for your tuner for more information.

### Numeric Direct Access Buttons 30

These buttons are used with both tuner and CD players. With tuners the buttons are used to select preset stations. With CD players the buttons are used to select track numbers.

To select a tuner preset station, press the Tuner button and then the station preset number. The process for selecting higher station presets varies depending on the model being used. For the RT-940BX and RT-990BX press the +10 button and then the button that equals the remainder of the preset you want to select. Example: To select preset 14, press +10 and then 4. With the RX-950AX, RTC-950AX and RTC-940AX the +10 button is not used. With these components the 9 button operates like a "+8" button. Examples: To access preset 16 press 9 ("+8") then 8. To access preset 9 press 9 then 1.

To select a track on a CD, press the CD button and then the track number you want to select. The process for selecting higher track numbers varies with the model being used. For the RCD-930AX, press the +10 button and then the button that equals the remainder of the track number you want to select. Example: To select track 15, press +10 and then 5. With the RCD-970BX, RCD-975 and RCD-940BX press the buttons that make up the track number you want to select. Example: to select track 17 press 1 and then 7.

### Volume Control Buttons 32

These buttons duplicate the functions of the Volume Control on the front panel of the RA-985BX. Press the right button (>) to increase the volume level, press the left button (<) to decrease the volume level.

### Cassette Recorder Control Buttons 35

These buttons duplicate the functions of the similarly marked buttons on Rotel cassette decks. See the instruction manual for your cassette recorder for more information.

### Surround Sound Processor Buttons 34

These buttons duplicate the function of many of the controls on Rotel surround sound processors. See the instruction manual for your processor for more information.

### CD Player Control Buttons 33

These buttons duplicate the function of many of the controls on Rotel CD players. See the instruction manual for your CD player for more information.

## Protection Circuitry 3

The RA-985BX has both thermal and over-current protection circuitry that protects the amplifier against damage in the event of extreme or faulty operating conditions. The protection circuits are independent of the audio signal and have no impact on sonic performance. Instead, the protection circuits monitor the temperature of the output devices and shut down the amplifier if temperatures exceed safe limits.

Most likely, you will never see this protection circuitry in action. However, should a faulty condition arise, the amplifier will stop playing and the LED indicator on the front panel will light up.

If this happens, turn the amplifier off. Let it cool down for several minutes, and attempt to identify and correct the problem that caused the protection circuitry to engage. When you turn the amplifier back on, the protection circuit will automatically reset and the indicator LED should go out.

In most cases, the protection circuitry activates because of a fault condition such as shorted speaker wires, or inadequate ventilation leading to an overheating condition. In very rare cases, highly reactive or extremely low impedance speaker loads could cause the protection circuit to engage.

If the protection circuitry triggers repeatedly and you are unable to isolate and correct the faulty condition, contact your authorized Rotel dealer for assistance in troubleshooting.

## Troubleshooting

Most difficulties in audio systems are the result of incorrect connections, or improper control settings. If you encounter problems, isolate the area of the difficulty, check the control settings, determine the cause of the fault and make the necessary changes. If you are unable to get sound from the RA-985BX, refer to the suggestions for the following conditions:

### Standby Power Indicator Is Not Lit

The Standby Power Indicator should be lit whenever the RA-985BX is plugged into the wall power outlet. If it does not light, test the power outlet with another electrical device, such as a lamp. Be sure the power outlet being used is not controlled by a switch that has been turned off.

### Fuse Replacement

If another electrical device works when plugged into the power outlet, but the Standby Indicator still will not light when the RA-985 is plugged into the wall outlet, it indicates that the internal power fuse may have blown. If you believe this has happened, contact your authorized Rotel dealer to get the fuse replaced.

### No Sound

Check the signal source to see if it is functioning properly. Make sure the cables from the signal source to the RA-985BX inputs are connected properly. Be sure the Listening Selector is set to the proper input. Check the wiring between the RA-985BX and the speakers.

### Protection Indicator Is Lit

The front panel indicator lights when the RA-985BX protection circuits have shut off the amplifier. Typically, this occurs only when the ventilation openings are blocked, when there is faulty speaker wiring, or after a period of extreme use. Turn off the system and wait for the amp to cool. Then push the front panel power switch in and out to reset the protection devices. If the problem is not corrected or re-occurs, there is a problem with the system or the amplifier itself.

## ATTENTION :

Il n'y a à l'intérieur aucune pièce susceptible d'être modifiée par l'utilisateur. Adressez-vous impérativement à une personne qualifiée.

## ATTENTION :

Prenez garde à ce qu'aucun objet ou liquide ne tombe à l'intérieur de l'appareil par ses orifices de ventilation ; Si l'appareil est exposé à l'humidité ou si un objet tombe à l'intérieur, couper immédiatement l'alimentation secteur de tous les appareils. Débrancher l'appareil des autres maillons, et adressez-vous immédiatement et uniquement à une personne qualifiée et agréée.

Lisez les instructions - Tous les conseils de sécurité et d'installation doivent être lus avant de faire fonctionner l'appareil. Conservez soigneusement ce livret - Vous devez pouvoir le consulter à nouveau pour de futures références.

Respectez tous les conseils - Tous les conseils de sécurité doivent être soigneusement respectés. Suivez les instructions - Respectez les procédures d'installation et de fonctionnement indiquées dans ce manuel.

Entretien - L'appareil doit être nettoyé uniquement selon les recommandations de son constructeur.

Ventilation - L'appareil doit être placé de telle manière que sa propre ventilation puisse fonctionner. Par exemple, il ne doit pas être posé sur un fauteuil, un canapé, une couverture ou toute autre surface susceptible de boucher ses ouïes d'aération ; ou placé dans un meuble empêchant la bonne circulation d'air autour des orifices d'aération.

Chaleur - Cet appareil doit être placé loin de toute source de chaleur, tels que radiateurs, chaudières, bouches de chaleur ou d'autres appareils (y compris amplificateurs de puissance) produisant de la chaleur.

**Cet appareil doit être branché sur une prise d'alimentation secteur, d'une tension et d'un type conformes à ceux qui sont indiqués sur la face arrière de l'appareil.**

Brancher l'appareil uniquement grâce au cordon secteur fourni, ou à un modèle équivalent. Ne pas tenter de modifier ou changer la prise. Notamment, ne pas tenter de supprimer la prise de terre si celle-ci est présente. Ne pas utiliser de cordon rallonge.

Prendre garde à ce que ce cordon d'alimentation ne soit pas pincé, écrasé ou détérioré sur tout son trajet, à ce qu'il ne soit pas mis en contact avec une source de chaleur. Vérifier soigneusement la bonne qualité des contacts, à l'arrière de l'appareil comme dans la prise murale.

Si l'appareil ne doit pas être utilisé pendant une longue période, la prise secteur sera débranchée.

Service après vente - L'appareil doit être immédiatement éteint, débranché puis éventuellement retourné au service après-vente agréé dans les cas suivants :

- Le cordon secteur ou la prise ont été endommagés.
- Un objet est tombé, ou du liquide a coulé à l'intérieur de l'appareil.
- L'appareil a été exposé à la pluie.
- L'appareil ne fonctionne pas normalement, ou ses performances sont anormalement limitées.
- L'appareil est tombé, ou le coffret est endommagé.

Placer l'appareil sur une surface plane, solide et rigide. Ne jamais placer l'appareil sur une surface ou un support mobile pouvant basculer.

## Sommaire

(les numéros cerclés renvoient aux illustrations)

<b>Au sujet de Rotel</b> _____	<b>14</b>
<b>Pour démarrer</b> _____	<b>14</b>
Quelques précautions	14
Positionnement	14
Câbles	15
<b>Alimentation secteur et mise sous tension</b> _____	<b>15</b>
Prise d'alimentation secteur <b>24</b>	15
Interrupteur de mise sous tension/veille <b>1</b>	15
et indicateur <b>2</b>	15
Prises de renvoi secteur <b>23</b>	15
<b>Branchements des signaux en entrée</b> <b>15</b> _____	<b>15</b>
<b>Branchements pour enregistrement</b> <b>16</b> _____	<b>16</b>
<b>Branchements pour fonctionnement en Zone 2</b> <b>17</b> _____	<b>16</b>
<b>Cavaliers de séparation préampli/ampli de puissance</b> <b>18</b> _____	<b>16</b>
<b>Prise de télécommande enregistreur</b> <b>19</b> _____	<b>16</b>
<b>Extension du capteur de la télécommande</b> <b>20</b> _____	<b>16</b>
<b>Enceintes acoustiques</b> <b>21</b> et <b>22</b> _____	<b>16</b>
Choix des enceintes	17
Choix de la section du câble d'enceintes	17
Polarité et mise en phase	17
Branchement des enceintes	17
<b>Commandes de la face avant</b> _____	<b>17</b>
Contrôle de volume <b>10</b>	17
Contrôle de balance <b>11</b>	17
Mise hors service des correcteurs de timbre <b>9</b>	17
Contrôles de grave <b>7</b> et d'aigu <b>8</b>	17
Sélecteur d'enceintes acoustiques <b>5</b>	17
Sélecteur de source en écoute Listening <b>14</b>	17
Sélecteur de source en enregistrement <b>12</b>	18
Prise casque (6)	18
Capteur de télécommande <b>4</b>	18
<b>Fonctionnement de la zone secondaire 2</b> _____	<b>18</b>
Touche Rec/Zone <b>28</b> et Indicateur Zone <b>13</b>	18
Touches de sélection de la source <b>27</b>	18
Touches de réglage volume Zone <b>31</b>	18
<b>Télécommande RR-927</b> _____	<b>19</b>
Reprogrammation	19
<b>Autres fonctions de la télécommande</b> _____	<b>19</b>
Touches mise sous tension/veille <b>25</b>	19
Touche silence Mute <b>26</b>	19
Touches de commande du tuner <b>29</b>	19
Touches numériques d'accès direct <b>30</b>	19
Touches de commande du volume <b>32</b>	19
Touches de commande du magnétocassette <b>35</b>	20
Touches de commande du processeur sonore Surround <b>34</b>	20
Touches de commande du lecteur de CD <b>33</b>	20
<b>Circuit de protection</b> <b>3</b> _____	<b>20</b>
<b>Problèmes de fonctionnement</b> _____	<b>20</b>
L'indicateur « Standby/Power » ne s'allume pas	20
Remplacement du fusible	20
Pas de son	20
L'indicateur de protection s'allume	20
<b>Spécifications</b> _____	<b>52</b>



## Au sujet de Rotel

C'est une famille de passionnés de musique qui a fondé Rotel, il y a maintenant plus de trente ans. Pendant toutes ces années, leur passion ne s'est jamais éteinte et tous les membres de la famille se sont toujours battus pour fabriquer des appareils présentant un exceptionnel rapport musicalité-prix, suivis en cela par tous les employés.

Les ingénieurs travaillent toujours en équipe réduite, écoutant et peaufinant soigneusement chaque appareil pour qu'il corresponde parfaitement à leurs standards musicaux. Ils sont libres de choisir n'importe quels composants dans le monde entier, uniquement en fonction de leur qualité. C'est ainsi que vous trouvez dans les appareils Rotel des condensateurs britanniques ou allemands, des transistors japonais ou américains, tandis que tous les transformateurs toriques sont directement fabriqués dans une usine Rotel.

L'excellente réputation musicale des appareils Rotel a été saluée par la plupart des magazines spécialisées ; ils ont reçu d'innombrables récompenses, et sont choisis par de nombreux journalistes critiques du monde entier, parmi les plus célèbres, ceux qui écoutent de la musique quotidiennement. Leurs commentaires restent immuables : Rotel propose toujours des maillons à la fois musicaux, fiables et abordables.

Mais plus que tout, Rotel vous remercie pour l'achat de cet appareil, et souhaite qu'il vous apporte de nombreuses heures de plaisir musical.

## Pour démarrer

Merci d'avoir acheté cet amplificateur stéréo intégré Rotel RA-985BX. Il a été spécialement conçu pour vous fournir des heures et des heures de plaisir musical en tant que cœur de votre chaîne haute-fidélité.

Le RA-985BX est un amplificateur intégré très complet, de très hautes performances. Les différents aspects de sa conception ont été réalisés de manière à reproduire toute la dynamique comme les plus subtiles nuances de la musique. Le RA-985BX est entièrement équipé d'une alimentation entièrement régulée, utilisant un transformateur torique spécialement fabriqué pour Rotel et des condensateurs « slit-foil » également uniques en leur genre. La faible impédance de cette alimentation assure une énorme réserve de puissance, capable de faire face aux exigences les plus élevées. Cette conception est évidemment plus coûteuse, mais elle est essentielle pour le respect de la musique.

Les circuits imprimés possèdent des pistes parfaitement symétriques. Elles préservent ainsi parfaitement l'intégrité « temporelle » de la musique. Les composants utilisés sont par exemple des résistances à film métallique et des condensateurs au polystyrène ou polypropylène sur tous les points critiques du trajet du signal. Les plus infimes détails ont été analysés avec soin, afin que rien ne vienne détruire l'exceptionnelle musicalité de cet amplificateur.

De plus, le RA-985BX intègre plusieurs caractéristiques qui rendent son utilisation particulièrement aisée et ajoutent à sa souplesse d'intégration dans le système. Une télécommande complète permet de commander aussi des maillons complémentaires d'origine Rotel : tuner, magnétocassette, lecteur de CD. Une prise d'entrée/sortie du signal infrarouge est également disponible. Celle-ci, en association avec la norme de pilotage Video Link™ de la marque Xantech™ permet de prévoir la réception et le renvoi d'autres signaux susceptibles de commander de très nombreux accessoires (vendus séparément). Des cavaliers accessibles permettent aussi de désolidariser les sections préamplificatrice et amplificatrice de puissance. La fonction Zone 2 permet, avec un second amplificateur de puissance et une seconde paire d'enceintes acoustiques, de sonoriser une seconde pièce de l'appartement ou de la maison de manière indépendante (source différente).

Les principales fonctions du RA-985BX sont faciles à comprendre et à utiliser. Elles ne diffèrent en rien de celles d'une chaîne haute-fidélité traditionnelle. Branchez simplement les sources et écoutez !

## Quelques précautions

Veillez lire ce manuel d'utilisation très soigneusement. Il vous donne toutes les informations nécessaires aux branchements et au fonctionnement du RA-985BX. Si vous vous posez encore des questions, n'hésitez pas à contacter immédiatement votre revendeur agréé Rotel.

Conservez soigneusement l'emballage du RA-985BX. Il constitue le meilleur et le plus sûr moyen pour le transport futur de votre nouvel appareil.

Remplissez et renvoyez la carte de garantie. Conservez la facture de votre appareil : c'est la meilleure preuve de votre propriété et de la date réelle d'achat.

## Disposition

Comme tous les appareils traitant des signaux relativement faibles, le RA-985BX est sensible à son environnement immédiat. Par exemple, ne le posez pas sur un amplificateur de puissance !

Le RA-985BX dégage un peu de chaleur pendant son fonctionnement, ce qui est normal. Ne posez donc pas d'autres maillons (ou objets) sur lui. Ne bloquez pas ses ouvertures supérieures de refroidissement. Il doit y avoir environ 10 cm de dégagement au-dessus de lui pour permettre le bon fonctionnement de sa ventilation.

N'oubliez pas non plus, lors de son installation, qu'il s'agit d'un appareil relativement lourd. L'étagère ou le support utilisés doivent être suffisamment robustes et rigides : dans ce domaine, le sens commun s'applique. Nous vous recommandons d'ailleurs, à ce sujet, d'acquiescer un de ces meubles spécialement conçus pour les chaînes haute-fidélité. Votre revendeur vous donnera toutes les informations nécessaires à ce sujet.

## Câbles

Vérifiez que les câbles d'alimentation secteur d'une part, les câbles de modulation analogique d'autre part, et enfin les câbles transportant un signal numérique soient bien éloignés les uns des autres. Cela pour éviter toute interférence susceptible de générer des bruits parasites. N'utiliser que des câbles de très bonne qualité, soigneusement blindés. Votre revendeur agréé Rotel est en mesure de vous donner tous les conseils nécessaires quant au choix de câbles de bonne qualité.

## Alimentation secteur et mise sous tension

### Prise d'alimentation secteur 24

Compte tenu de la puissance qu'il peut délivrer, l'amplificateur RA-985BX peut demander un courant très élevé et ainsi être particulièrement exigeant vis-à-vis de votre installation électrique. C'est pourquoi nous vous conseillons très vivement de ne le brancher que directement, dans une prise murale munie de deux broches. N'utilisez pas de câble rallonge. Une prise multiple pourra éventuellement être utilisée, mais seulement si elle possède la capacité en courant (ampères) demandée par le RA-985BX et les autres appareils branchés dessus.

**NOTE :** Ne branchez pas d'amplificateur de puissance sur les prises de renvois secteur en face arrière du RA-985BX. Un tel amplificateur demande en effet plus de courant que ne peuvent en fournir ces prises.

Votre RA-985BXa été configuré en usine pour la tension d'alimentation secteur du pays pour lequel il est prévu (115 ou 230 volts, fréquence 50 ou 60 Hz). Cette valeur est indiquée sur une étiquette, en face arrière.

**NOTE :** si vous devez déménager dans autre pays, il est possible de modifier l'alimentation du RA-985BX. Ne tentez pas d'effectuer cette transformation vous-même. Elle nécessite une intervention interne présentant des risques d'électrocution si certaines précautions ne sont pas respectées. Consultez directement un revendeur agréé Rotel pour connaître la procédure à suivre.

Si vous vous absentez pendant une longue période (un mois ou plus), nous vous conseillons de débrancher la prise murale d'alimentation.

### Interrupteur de mise sous tension/veille (standby) 1 et indicateur 2

La diode Power Indicator, sous la touche repérée Standby (mise en veille) reste toujours allumée lorsque le RA-985BX est branché dans sa prise murale. Lorsque la touche repérée Power/Standby est pressée, la diode du bouton de volume s'allume à son tour. Une nouvelle pression sur cette touche remet le RA-985BX en mode de veille Standby, et la diode du bouton de volume s'éteint.

### Prises de renvoi secteur 23

Deux prises d'alimentation secteur de renvoi sont disponibles en face arrière du RA-985BX (suivant pays). Elles permettent d'alimenter deux sources en bénéficiant de la mise hors/sous tension couplée avec la touche STANDBY du RA-985BX.

*Note : NE JAMAIS UTILISER CES PRISES pour alimenter un amplificateur de puissance, ou tout autre appareil présentant une consommation électrique supérieure ou égale à 100 watts. Si vous utilisez un RA-985BX prévu pour le marché américain et donc doté de ces prises, sachez que la nouvelle norme électrique européenne interdit normalement leur utilisation.*

## Branchement des signaux en entrée 15

### [ Voir la figure 1 pour les branchements ]

Le RA-985BX possède des prises au standard Cinch-RCA, standard le plus communément répandu sur les maillons haute-fidélité.

*Note :* Pour éviter tout bruit parasite susceptible d'endommager les enceintes acoustiques, assurez-vous que tout le système est éteint avant d'effectuer le moindre branchement.

Toutes les entrées du RA-985BX sont des entrées niveau Ligne. Elles sont donc conçues pour brancher des sources telles qu'un lecteur de CD,, un magnétocassette, un tuner, etc. Si vous désirez utiliser une platine tourne-disque, un préampli phono externe est nécessaire. Rotel propose le modèle référence RQ-970BX.

Les canaux gauche et droit sont clairement repérés et doivent être branchés sur les canaux correspondants des sources. Les prises du canal gauche sont blanches et les prises du canal droit rouges. N'utilisez que des câbles de liaison de très haute qualité. Demandez conseil à votre revendeur agréé Rotel.



## Branchement pour enregistrement 16

[ Voir la figure 2 pour les branchements concernant l'enregistrement ]

Les entrées et sorties Tape 1 et Tape 2 peuvent être branchées sur les prises correspondantes d'entrée et de sortie de n'importe quel enregistreur analogique (magnétophone à bandes, magnétocassette, etc.)

Lorsque vous branchez un tel appareil sur le RA-985BX, n'oubliez pas que les sorties du magnétophone doivent être branchées sur les entrées du RA-985BX, et les sorties du RA-985BX sur les entrées du magnétophone. Respectez aussi la gauche et la droite, comme sur toutes les autres sources. N'utilisez que des câbles d'excellente qualité pour éviter toute perte d'information musicale.

*Note : normalement, le signal envoyé sur les sorties Enregistrement est sélectionné à partir du sélecteur d'enregistrement Record (12). Cependant, si les fonctions Zone 2 sont utilisées, ce sélecteur d'enregistrement Record devient le sélecteur de source écoutée en zone 2.*

## Branchement pour fonctionnement en Zone 2 17

[ Voir la figure 3 pour les branchements concernant la zone d'écoute « 2 » ]

Cette sortie (utilisée avec un amplificateur de puissance et des enceintes acoustiques supplémentaires) permet d'utiliser le RA-985BX dans une seconde pièce de votre habitation. Vous pouvez écouter soit la même source, soit une source différente de celle de la pièce principale. Lire plus loin le paragraphe consacré au fonctionnement de la Zone 2.

## Cavaliers de séparation préampli/ amplificateur de puissance 18

Ces connecteurs, repérés « Pre Out » (sortie préampli) et « Main In » (entrée ampli de puissance) sont normalement reliés par des cavaliers (jumpers) en métal. Ces prises, une fois les cavaliers ôtés, permettent d'insérer n'importe quel processeur sonore. Il suffit de tirer sur les cavaliers pour les retirer. Reliez les entrées du processeur aux prises « Pre Out », et les sorties du processeur aux prises « Main In ».

Une des utilisations les plus courantes de cette fonction consiste à insérer un processeur Surround. On utilise alors la section amplificatrice de puissance du RA-985BX pour les enceintes principales avant, les autres enceintes étant alimentées par des amplificateurs de puissance externes.

## Prise de télécommande enregistreur 19

Certains magnétocassettes Rotel peuvent être pilotés par la télécommande RR-927 qui est livrée avec le RA-985BX. Pour utiliser cette possibilité, brancher un câble avec prise de type DIN 8 broches entre la prise « Cassette Remote » à l'arrière du RA-985BX et la prise correspondante à l'arrière du magnétocassette. Les signaux de la télécommande RR-927 transitent alors par le récepteur IR du RA-985BX, puis sont envoyés par le câble vers le magnétocassette.

## Extension du capteur de la télécommande 20

Ces prises, utilisées en association avec des capteurs et répéteurs infrarouge Video Link™ de la marque Xantech™ (vendus séparément) permettent au RA-985BX de récupérer des signaux de commande infrarouge et de les renvoyer vers les maillons concernés. Contactez votre revendeur agréé Rotel pour de plus amples informations.

*Video Link et Xantech sont des marques déposées de Xantech Corporation*

## Enceintes acoustiques 21 et 22

Le RA-985BX possède deux jeux de prises de branchement par canal, pour deux paires d'enceintes acoustiques, repérés « A » et « B ». Le sélecteur d'enceintes 5 en face avant permet de les choisir, l'une, l'autre ou les deux simultanément.

## Choix des enceintes

L'impédance nominale de chaque enceinte branchée sur le RA-985BX doit être d'au moins 4 ohms, et de 8 ohms si l'on désire utiliser deux paires d'enceintes acoustiques en même temps. En effet, lorsqu'un amplificateur alimente plus d'une enceinte en parallèle, l'impédance résultante est divisée par deux. Par exemple, deux enceintes, de 8 ohms chacune, branchée simultanément sur le même canal donnent une impédance de 4 ohms, vue par l'amplificateur. Si vous branchez deux enceintes sur le même canal, choisissez des modèles d'impédance nominale 8 ohms, car celle-ci descend en pratique souvent au-dessous de cette valeur. Cela dit, seules quelques rares enceintes acoustiques risquent de poser problème avec le RA-985BX. En cas de doute, consultez votre revendeur agréé Rotel.

## Choix de la section du câble d'enceintes

Utilisez du câble deux conducteurs isolé pour relier le RA-985BX aux enceintes. La taille et la qualité du câble peuvent avoir de l'influence sur les performances musicales. Un câble standard fonctionnera, mais il peut présenter des limitations quant à la dynamique réellement reproduite ou à la qualité du grave, surtout sur de grandes longueurs. En général, un câble de plus fort diamètre entraîne une amélioration du son. Pour des performances optimales, penchez-vous sur l'offre en terme de câbles de très haute qualité. Votre revendeur agréé Rotel est en mesure de vous renseigner efficacement à ce sujet.

## Polarité et mise en phase

La polarité – autrement dit l'orientation correcte du « + » et du « - » pour chaque branchement entre l'amplificateur et le RA-985BX, et entre le RA-985BX et les enceintes acoustiques doit être respecté pour toutes les enceintes, afin que celles-ci soient toutes en phase. Si la phase d'une seule enceinte est inversée, il en résultera un manque de grave sensible et une dégradation importante de l'image stéréophonique. Tous les câbles sont repérés afin que vous puissiez identifier clairement leurs deux conducteurs. Soit les câbles sont différents (un cuivré, un argenté), soit la gaine est de couleur différente (filet de couleur), soit elle est gravée. Assurez-vous que vous repérez bien le conducteur repéré pour toutes les liaisons, et que vous respectez parfaitement la phase sur toutes les enceintes acoustiques, par rapport à l'entrée.

## Branchement des enceintes

Le RA-985BX est équipé de deux paires de bornes vissantes repérées par leur code de couleur noir (-) et rouge (+). Elles peuvent être utilisées pour brancher soit deux enceintes par canal, soit une enceinte en bicâblage.

Ces prises repérées SPEAKER CONNECTORS acceptent indifféremment du câble nu, des cosses ou fourches spéciales, ou encore des fiches banane (sauf en Europe, où les nouvelles normes CE l'interdisent).

Tirez le câble depuis le RA-985BX vers les enceintes acoustiques. Prévoyez suffisamment de longueur pour qu'il ne subisse aucune contrainte sur toute sa longueur et que vous puissiez déplacer les éléments sans qu'il soit tendu (accès aux prises de l'amplificateur).

Si vous utilisez des fourches, insérez les à fond dans le logement offert par les prises et serrez fermement. Si vous utilisez du fil nu, dénudez tous les câbles sur une longueur suffisante, et torsadez les brins de chaque conducteur de telle manière qu'aucun brin ne puisse venir en contact avec un autre d'un autre conducteur (court-circuit). Suivant la taille des torsades, insérez-les dans les trous centraux des prises ou entourez-le autour des axes de celles-ci (sens des aiguilles d'une montre). Dans tous les cas, serrez fermement à la main les bornes vissantes.

**NOTE :** Vérifiez bien qu'il n'y ait aucun brin qui vienne en contact avec des brins ou la prise adjacente.

## Commandes de la face avant

### Commande de volume 10

La commande VOLUME permet de régler le niveau sonore sur les deux canaux en même temps. Une rotation dans le sens des aiguilles d'une montre augmente le volume, et le diminue dans le sens inverse des aiguilles d'une montre.

### Contrôle de balance 11

Tourné dans le sens des aiguilles d'une montre, ce bouton augmente le niveau sur le canal droit, et inversement pour le canal gauche.

### Mise hors service des correcteurs de timbre 9

Lorsque cette fonction est placée sur « On », les correcteurs de timbre grave et aigu peuvent être utilisés pour régler le son. Lorsqu'elle est placée sur « Off », les correcteurs de timbre sont complètement désolidarisés du trajet du signal. Laissez-la dans cette position si vous ne désirez pas utiliser les correcteurs de timbre, afin de conserver le signal le plus pur possible.

### Contrôles de grave 7 et aigu 8

Les correcteurs de grave BASS et d'aigu TREBLE permettent de régler respectivement le grave et l'aigu du signal envoyé en sortie. Une rotation dans le sens des aiguilles d'une montre augmente le niveau à ces fréquences, respectivement.

### Sélecteur d'enceintes acoustiques 5

Cette touche permet de mettre en ou hors service les sorties vers les enceintes acoustiques. Une pression sur la touche met le son sur les enceintes, une seconde pression le coupe complètement (par exemple pour n'écouter qu'au casque).

### Sélecteur de source en écoute Listening 14

Ce sélecteur Listening permet de sélectionner directement l'entrée que l'on désire écouter. La source choisie est également celle envoyée sur la sortie « Pre Out » des cavaliers précédemment décrits.

## Sélecteur de source en enregistrement Recording 12

Ce sélecteur Recording permet de sélectionner directement l'entrée que l'on désire enregistrer. Lorsque vous n'effectuez pas d'enregistrement, laissez-le sur la position « Off » afin d'éliminer les risques d'interférences avec les autres maillons du système.

Le fait de disposer de sélecteurs séparés pour l'enregistrement et l'écoute ajoute une grande flexibilité à l'utilisation du RA-985BX. Vous pouvez par exemple écouter un CD pendant que vous enregistrez une émission de radio, ou l'inverse.

Si vous souhaitez copier (fonction « Dub », en anglais) un enregistrement d'un enregistreur à un autre, la source sélectionnée en lecture doit être branchée sur l'entrée repérée « Tape 1 ». Le sélecteur d'enregistrement Recording sera placé sur la position Tape 1, et l'appareil effectuant l'enregistrement sera branché sur les prises repérées Tape 2.

**Note :** Lorsque la fonction Zone 2 proposée par le RA-985BX est réellement utilisée, le sélecteur d'enregistrement Recording devient le sélecteur de sélection de la source écoutée pour cette zone 2. Vous ne pouvez alors pas enregistrer tant que cette fonction Zone 2 est utilisée.

## Prise casque 6

Cette prise est de type Jack 6,35 mm stéréo. Utiliser un adaptateur pour des prises jack plus petites (3,5 mm). Pour couper les enceintes, il faut utiliser le sélecteur d'enceintes : le fait d'enfoncer une prise casque ne les coupe pas automatiquement. Placez ce sélecteur sur « Off ».

## Capteur de télécommande 4

Ce capteur reçoit les signaux infrarouge en provenance de la télécommande. Il ne doit pas être obstrué (câbles ou accessoires). Evitez aussi de l'exposer à une lumière trop forte. En cas de mauvais fonctionnement de la télécommande, n'oubliez pas de vérifier l'état des piles de celle-ci.

## Fonctionnement de la zone secondaire 2

[Voir figure 3 et la section consacrée aux branchements de la Zone 2 pour les informations complémentaires consacrées à l'utilisation de cette fonction]

**Note :** Toutes les fonctions de la zone 2 « Second Zone » sont contrôlées par la télécommande RR-927. Reportez-vous au paragraphe consacré à cette télécommande pour de plus amples informations.

## Touche Rec/Zone 28 et Indicateur Zone 13

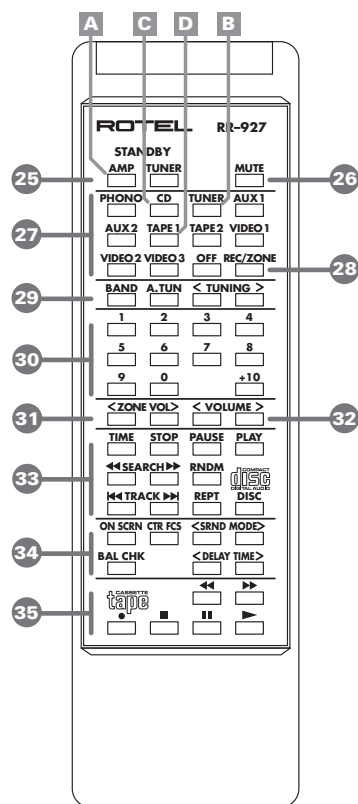
Pour activer la fonction Zone 2, pressez la touche repérée « Rec/Zone ». L'indicateur « Second Zone » s'allume. Le sélecteur d'enregistrement s'utilise alors comme le sélecteur de source écoutée en zone 2. Pressez de nouveau sur la touche « Rec/Zone » pour retourner au fonctionnement normal de ce sélecteur. L'indicateur s'éteint.

## Touches de sélection de la source 27

Lorsque la fonction Zone 2 est active, les touches de sélection de source fonctionnent pour cette Zone 2.

## Touches de réglage volume Zone 31

Les touches repérées « <Zone Vol> » contrôlent le niveau sonore en zone 2. Le bouton de gauche diminue le volume, celui de droite l'augmente.



Les touches A, B, C et D sont utilisées pour programmer la télécommande. Voir le paragraphe suivant.

## Télécommande RR-927

En plus des fonctions concernant la Zone 2, la télécommande RR-927 reprend la majorité des commandes présentes en face avant du RA-985BX. Elle est également capable de piloter tous les appareils Rotel télécommandables de la série 900. Suivant les maillons que vous possédez, il peut être nécessaire de reprogrammer la RR-927 avec un nouveau « code » en utilisant la procédure décrite dans le paragraphe ci-dessous. La RR-927 est pré-réglée en usine pour piloter les appareils suivants :

Amplificateur (code A2) : RA-985BX, RA-945, RC-995  
 Tuner (code B1) : RTC-940AX, RX-950AX, RT-940AX  
 Lecteur de CD (code C1) : RCD-970BX, RCD-975  
 Magnétocassette (code D1) : RD-960BX

### Reprogrammation

Pour reprogrammer la RR-927 afin qu'elle fonctionne avec un maillon autre que ceux de la liste précédente, appuyez *simultanément* sur la touche repérée par une des lettres suivantes et le chiffre qui lui est associé.

Codes Préamplificateur et Amplificateur (« A » est la touche « Amp/Standby »)

A1 : RTC-940AX, RTC-950AX, RX-950AX  
 A2 : RA-985BX, RA-945, RC-995  
 A4 : RC-990BX

Codes Tuner (« B » est la touche « Tuner »)

B1 : RTC-940AX, RX-950AX, RT-940AX  
 B4 : RT-990BX

Codes Lecteur de CD (« C » est la touche « CD »)

C1 : RCD-970BX, RCD-975, RCD-945AX / 955AX / 965BX  
 C2 : RCC-935, RCD-940BX, RCC-940AX  
 C3 : RCC-955, RCD-930AX, RCD-951, RCD971

Codes Magnétocassette (« D » est la touche « Tape 1 »)

D1 : RD-960BX

Exemple : pour reprogrammer la télécommande RR-927 afin de l'utiliser avec le tuner RT-990BX, appuyez simultanément sur la touche Tuner **B** et la touche « 4 ». Pour reprogrammer la télécommande RR-927 afin de l'utiliser avec le lecteur de CD RCD-930AX, appuyez simultanément sur la touche **C** et la touche « 3 ».

## Autres fonctions télécommandables

Les informations ci-dessous sous-entendent que la télécommande RR-927 a été pré-réglée pour fonctionner avec me RA-985BX. Les commandes pour d'autres maillons peuvent varier.

### Touche de mise sous tension et en veille Standby Power **25**

Une pression allume le RA-985BX ou le tuner associé. Une seconde pression le place en mode de veille.

### Touche silence Mute **26**

Pressez la touche Mute pour couper temporairement le son du RA-985BX. Appuyez de nouveau pour rétablir le son. La diode Volume clignote lorsque la fonction Mute est enclenchée.

### Touches de commande du tuner **29**

Ces touches reprennent les fonctions principales des touches présentes sur la face avant des tuners Rotel. Consultez le mode d'emploi correspond au tuner pour de plus amples informations.

### Touches numériques d'accès direct **30**

Ces touches sont utilisées aussi bien par le tuner que par le lecteur de CD. Pour le tuner, ce sont les touches correspondant aux stations présélectionnées. Sur les lecteurs de CD, ces touches permettent l'accès direct aux différents morceaux.

Pour sélectionner une station radio pré-réglée, appuyez sur la touche Tuner puis sur le numéro de station désiré. Le processus de sélection des stations à chiffre double diffère suivant les tuners utilisés. Pour le RT-940BX et le RT-990BX, appuyez sur la touche « +10 », puis sur la touche correspondant au chiffre des unités. Exemple : pour sélectionner la station 14, appuyez sur « +10 » puis sur « 4 ». Avec les tuners RX-950AX, RTC-950AX et RTC-940AX, la touche « +10 » n'est pas utilisable. Mais la touche « 9 » agit comme une touche « +8 ». Exemple : pour sélectionner la station 16, appuyez sur « 9 » (= « +8 ») puis sur « 8 ». Pour sélectionner la station 9, appuyez sur « 9 » (= « +8 ») puis sur « 1 ».

Pour sélectionner une plage sur un CD, pressez la touche CD puis entrez le numéro du morceau que vous désirez écouter. Sur le lecteur de CD RCD-930AX, pressez la touche « +10 » puis le chiffre correspondant au numéro de plage, si nécessaire. Exemple : pour sélectionner la plage 15, appuyez sur « +10 » puis sur « 5 ». Avec les lecteurs de CD RCD-970BX, RCD-975 et RCD-940BX, pressez successivement les touches correspondant au numéro de plage souhaité. Exemple : pour sélectionner la plage 17, appuyez sur « 1 » puis sur « 7 ».

### Touches VOLUME **32**

Cette paire de touches reproduit les fonctions du bouton de volume de la face avant. La touche droite (>) monte le volume, la touche gauche (<) baisse le volume.

## Touches de commande du magnétocassette 35

Ces touches reproduisent celles présentes sur la face avant des magnétocassettes Rotel et repérées de la même manière. Consultez le mode d'emploi correspond au magnétocassette pour de plus amples informations.

## Touches de commande du processeur sonore Surround 34

Ces touches reproduisent celles présentes sur la face avant des processeurs sonores Surround Rotel et repérées de la même manière. Consultez le mode d'emploi correspond au processeur Surround pour de plus amples informations.

## Touches de commande du lecteur de CD 33

Ces touches reproduisent celles présentes sur la face avant des lecteurs de CD Rotel et repérées de la même manière. Consultez le mode d'emploi correspond au lecteur de CD pour de plus amples informations.

## Circuit de protection 3

Le RA-985BX est équipé d'un double circuit de protection, agissant aussi bien contre les surchauffes que les courts-circuits, et protégeant l'amplificateur de toutes les conditions d'utilisation hors normes. Ces circuits de protection sont indépendants du trajet du signal et n'ont donc pas d'influence sur la qualité sonore. Ces circuits coupent automatiquement l'appareil si un court-circuit ou une surchauffe apparaissent.

La plupart du temps, vous ne verrez jamais ce circuit de protection entrer en action. Si c'était pourtant le cas, l'amplificateur s'arrête et une diode Protection s'allume sur sa face avant.

Dans ce cas, éteignez immédiatement l'amplificateur. laissez le refroidir plusieurs minutes, et profitez-en pour identifier et corriger éventuellement le problème qui aurait pu survenir (court-circuit entre deux câbles, etc.). Lorsque vous rallumez l'amplificateur, le circuit de protection doit automatiquement se mettre uniquement en mode de surveillance et la diode frontale s'éteindre.

Généralement, l'intervention du circuit de protection est simplement due à un court-circuit entre les câbles des enceintes, ou une mauvaise ventilation de l'appareil lui-même. Dans de très rares cas, des enceintes à la charge réactive complexe ou présentant une très faible impédance peuvent entraîner la mise en service de la protection.

Si le circuit de protection se met régulièrement en service sans que vous puissiez en détecter l'origine, contactez rapidement votre revendeur agréé Rotel pour trouver la solution à ce problème anormal.

## Problèmes de fonctionnement

La majorité des problèmes survenant dans une installation haute-fidélité est due à de mauvais branchements, ou à une mauvaise utilisation d'un ou de plusieurs maillons. Si le problème est bien lié au RA-985BX, il s'agit très certainement d'un mauvais branchement. Voici quelques vérifications de base qui résolvent la majorité des problèmes rencontrés :

### L'indicateur Power de mise sous tension ne s'allume pas

L'amplificateur RA-985BX n'est pas alimenté par le secteur. Vérifiez la position de l'interrupteur de mise sous tension POWER (position ON). Vérifiez la qualité des contacts du cordon secteur, et l'alimentation réelle de la prise murale.

### Remplacement du fusible

Si un autre appareil électrique fonctionne en étant branché dans la même prise que le RA-985BX, mais que la diode Standby de ce dernier ne s'allume pas, le fusible de protection interne doit être remplacé. Contactez votre revendeur agréé Rotel qui remplacera immédiatement ce fusible.

### Pas de son

Vérifiez qu'un signal sort bien de la source sélectionnée. Vérifiez le bon branchement des câbles entre la source et l'amplificateur. Vérifiez que le sélecteur Listening est bien positionné sur la source voulue. Vérifiez aussi les câbles entre l'amplificateur et les enceintes acoustiques.

### Diodes de protection allumées

Le circuit de protection est entré en fonctionnement. Cela arrive quand les ouïes d'aération ont été obstruées, quand il y a un court-circuit dans les sorties enceintes, ou si l'amplificateur a fonctionné très longtemps à puissance maximum. Eteignez l'amplificateur et attendez qu'il refroidisse. Le fait d'appuyer à nouveau sur l'interrupteur de mise sous tension pour rallumer l'appareil entraînera la réinitialisation automatique des circuits de protection. Si la protection se remet à fonctionner, il y a un problème dans le système ou l'amplificateur lui-même.



## SICHERHEITS- UND WARNHINWEISE

Bitte lesen Sie sich die Bedienungsanleitung vor Gebrauch des Gerätes genau durch. Sie enthält wichtige Sicherheitsvorschriften, die unbedingt zu beachten sind! Bewahren Sie die Bedienungsanleitung so auf, daß sie jederzeit zugänglich ist.

Außer den in der Bedienungsanleitung beschriebenen Handgriffen sollten vom Bediener keine Arbeiten am Gerät vorgenommen werden. Das Gerät ist ausschließlich von einem qualifizierten Fachmann zu öffnen und zu reparieren.

Dieses Gerät darf nur in trockenen Räumen betrieben werden. Um die Gefahr von Feuer oder eines elektrischen Schlags auszuschließen, dürfen keine Flüssigkeiten oder Fremdkörper in das Gerät gelangen. Sollte dieser Fall trotzdem einmal eintreten, trennen Sie das Gerät sofort vom Netz ab. Lassen Sie es von einem Fachmann prüfen und die notwendigen Reparaturarbeiten durchführen.

Befolgen Sie alle Warn- und Sicherheitshinweise in der Bedienungsanleitung und auf dem Gerät.

Dieses Gerät sollte, wie andere Elektrogeräte auch, nicht unbeaufsichtigt betrieben werden.

Ist das Gerät z.B. während des Transports über längere Zeit Kälte ausgesetzt worden, so warten Sie mit der Inbetriebnahme, bis es sich auf Raumtemperatur erwärmt hat und das Kondenswasser verdunstet ist.

Das Gerät erwärmt sich während des normalen Betriebs. Daher muß um das Gehäuse ein Freiraum von 10 cm gewährleistet sein. Die Ventilationsöffnungen am Gerät dürfen nicht verdeckt werden. Stellen Sie das Gerät daher weder auf ein Bett, Sofa, Teppich oder ähnliche Oberflächen. Ferner sollte es nicht an einem Ort aufgestellt werden, an dem keine ausreichende Luftzirkulation gegeben ist, zum Beispiel in einem engen Regalfach oder in einem Einbauschränk.

Stellen Sie das Gerät nicht in die Nähe von Wärmequellen (Heizkörper, Wärmespeicher, Öfen oder sonstige wärmeerzeugende Geräte).

**Bevor Sie das Gerät in Betrieb nehmen, prüfen Sie, ob die Betriebsspannung mit der örtlichen Netzspannung übereinstimmt. Die Betriebsspannung ist an der Rückseite des Gerätes angegeben.**

Schließen Sie das Gerät nur mit dem dazugehörigen zweipoligen Netzkabel an die Wandsteckdose an. Modifizieren Sie das Netzkabel auf keinen Fall. Versuchen Sie nicht, die Erdungs- und/oder Polarisationsvorschriften zu umgehen. Das Netzkabel sollte an eine zweipolige Wandsteckdose angeschlossen werden. Verwenden Sie keine Verlängerungskabel.

Netzkabel sind so zu verlegen, daß sie nicht beschädigt werden können (z.B. durch Trittbelastung, Möbelstücke oder Erwärmung). Besondere Vorsicht ist dabei an den Steckern, Verteilern und den Anschlußstellen des Gerätes geboten.

Sollten Sie das Gerät für eine längere Zeit nicht in Betrieb nehmen, ziehen Sie den Netzstecker aus der Steckdose.

Schalten Sie das Gerät sofort aus und ziehen Sie geschultes Fachpersonal zu Rate, wenn:

- das Netzkabel oder der Stecker beschädigt sind,
- Gegenstände bzw. Flüssigkeit in das Gerät gelangt sind,
- das Gerät Regen ausgesetzt war,
- das Gerät nicht ordnungsgemäß funktioniert bzw. eine deutliche Leistungsminderung aufweist,
- das Gerät hingefallen ist bzw. beschädigt wurde.

Ziehen Sie den Netzstecker aus der Steckdose, bevor Sie mit der Reinigung des Gerätes beginnen. Reinigen Sie die Oberflächen des Gerätes nur mit einem weichen, trockenen Tuch. Verwenden Sie keine scharfen Reinigungs- oder Lösungsmittel. Vor der erneuten Inbetriebnahme des Gerätes ist sicherzustellen, daß an den Anschlußstellen keine Kurzschlüsse bestehen und alle Anschlüsse ordnungsgemäß sind.

Stellen Sie das Gerät waagrecht auf eine feste, ebene Unterlage. Es sollte weder auf beweglichen Unterlagen noch Wagen oder fahrbaren Untergestellen transportiert werden.



## Inhaltsverzeichnis

(die mit einem Kreis markierten Zahlen beziehen sich auf die Abbildungen)

<b>Die Firma Rotel</b> _____	<b>22</b>
<b>Zu dieser Anleitung</b> _____	<b>22</b>
Einige Vorsichtsmaßnahmen	22
Aufstellung des Gerätes	22
Kabel	23
<b>Netzspannung und Bedienung</b> _____	<b>23</b>
Netzanschluß <b>24</b>	23
Standby-Taste <b>1</b> und Betriebsanzeige <b>2</b>	23
Geschaltete Netzsteckdosen <b>23</b>	23
<b>Eingangsanschlüsse</b> <b>15</b> _____	<b>23</b>
<b>Tape-Anschlüsse</b> <b>16</b> _____	<b>24</b>
<b>ZONE 2-Ausgangsanschluß</b> <b>17</b> _____	<b>24</b>
<b>Vorverstärker/Endstufen-Brücken</b> <b>18</b> _____	<b>24</b>
<b>Fernbedienungsanschluß für Cassettenrecorder</b> <b>19</b> _____	<b>24</b>
<b>„Remote Sensor Extension“-Anschlüsse</b> <b>20</b> _____	<b>24</b>
<b>Lautsprecherausgänge</b> <b>21</b> und <b>22</b> _____	<b>24</b>
Auswahl der Lautsprecher	24
Auswahl der Lautsprecherkabel	25
Polarität und Phasenabgleich	25
Anschließen der Lautsprecher	25
<b>Bedienelemente an der Gerätefront</b> _____	<b>25</b>
Lautstärkeregelung (VOLUME) <b>10</b>	25
Balance-Regler <b>11</b>	25
Klangregelung (TONE) <b>9</b>	25
Tiefenregler <b>7</b> und Höhenregler <b>8</b> (BASS/TREBLE)	25
Lautsprecherwahlschalter (SPEAKERS) <b>5</b>	25
Listening-Wahlschalter <b>14</b>	25
Record-Select-Wahlschalter <b>12</b>	26
Kopfhörerbuchse (PHONES) <b>6</b>	26
Fernbedienungssensor <b>4</b>	26
<b>2-Bereichs-Funktion</b> _____	<b>26</b>
Rec/Zone-Taste <b>28</b> und Zone-LED <b>13</b>	26
Tasten für die Quellenwahl <b>27</b>	26
Lautstärketasten für die 2. Zone <b>31</b>	26
<b>Fernbedienung RR-927</b> _____	<b>27</b>
Umprogrammieren	27
<b>Sonstige Funktionen der Fernbedienung</b> _____	<b>27</b>
STANDBY-Tasten (AMP/TUNER) <b>25</b>	27
Mute-Taste <b>26</b>	27
Tasten zur Fernbedienung von Tunern <b>29</b>	27
Zifferntasten <b>30</b>	27
Lautstärketasten <b>32</b>	28
Tasten zur Fernbedienung von Cassettenrecordern <b>35</b>	28
Tasten zur Fernbedienung von Surround-Sound-Prozessoren <b>34</b>	28
Tasten zur Fernbedienung von CD-Playern <b>33</b>	28
<b>Schutzschaltung</b> <b>3</b> _____	<b>28</b>
<b>Bei Störungen</b> _____	<b>28</b>
Die STANDBY-LED leuchtet nicht	28
Austauschen der Sicherung	28
Kein Ton	28
PROTECTION-LED leuchtet	28
<b>Technische Daten</b> _____	<b>52</b>

## Die Firma Rotel

Die Firma Rotel wurde vor mehr als 30 Jahren von einer Familie gegründet, deren Interesse an Musik so groß war, daß sie beschloß, hochwertigste HiFi-Produkte herzustellen und Musikliebhabern ungeachtet ihres Geldbeutels einen außergewöhnlichen Wert zukommen zu lassen. Ein Ziel, das von allen Rotel-Angestellten verfolgt wird.

Die Ingenieure arbeiten als Team eng zusammen. Sie hören sich jedes Gerät an und optimieren es klanglich, bis es den gewünschten Musikstandards entspricht. Die eingesetzten Bauteile stammen aus verschiedenen Ländern und wurden ausgewählt, um das jeweilige Produkt zu optimieren. So finden Sie Kondensatoren aus Großbritannien und Deutschland, Halbleiter aus Japan oder den USA und direkt bei Rotel gefertigte Ringkerntransformatoren.

Rotels guter Ruf wird durch hunderte von Testergebnissen von den angesehensten Testern der Branche, die jeden Tag Musik hören, untermauert. Die Ergebnisse beweisen, daß das Unternehmen sein Ziel konsequent verfolgt hat, mit Equipment hoher Musikalität und Zuverlässigkeit bei gleichzeitig günstigen Preisen.

Wir danken Ihnen für Ihr Vertrauen in die Marke Rotel und wünschen Ihnen viel Hörvergnügen.

## Zu dieser Anleitung

Wir danken Ihnen, daß Sie sich für den Rotel-Stereo-Vollverstärker RA-985BX entschieden haben. Dieses einzigartige Gerät kann optimal in jedem hochwertigen Audio-System eingesetzt werden.

Der RA-985BX überzeugt durch höchste Wiedergabequalität und ist mit einer Vielzahl von Ausstattungsmerkmalen ausgestattet. Bei der Entwicklung des RA-985BX wurde besonderer Wert darauf gelegt, den kompletten Dynamikbereich und feinste Nuancen der Musik wiederzugeben. Der RA-985BX überzeugt mit einem großzügig dimensionierten Netzteil mit Ringkerntransformator und Slit-Foil-Siebcondensatoren. Dieses niederohmige Netzteil hat extreme Leistungsreserven, die es dem Vollverstärker ermöglichen, die anspruchsvollsten Musiksignale zu verarbeiten. Zwar ist diese Konstruktion teurer in der Herstellung, die Musikwiedergabe jedoch profitiert davon deutlich.

Die Signalwege sind streng symmetrisch gehalten, um Laufzeitunterschiede in den Kanälen zu verhindern. Auf der Platine werden Metallfilmwiderstände und Polystyrol- bzw. Polypropylenkondensatoren eingesetzt, die die Signale klanggetreu übertragen. Alle Aspekte dieser Konstruktion dienen nur dem Ziel der möglichst originalgetreuen Wiedergabe von Musik.

In puncto Flexibilität und Ausstattung läßt der systemfernbedienbare RA-985BX keine Wünsche offen. Beispiele für seine Ausstattungsvielfalt sind Anschlußklemmen für zwei schaltbare Lautsprechergruppen, sechs Hochpegeleingänge, 2-Bereichs-Funktion (regelbarer Ausgang für eine 2. Zone) und Pre Out/Main In-Anschlüsse.

Der RA-985BX ist einfach zu installieren und zu bedienen. Sollten Sie bereits Erfahrung mit der Installation anderer Stereo-Systeme haben, dürften keinerlei Probleme auftreten. Schließen Sie einfach die gewünschten Geräte an (siehe Anschlußdiagramme am Anfang dieser Bedienungsanleitung).

## Einige Vorsichtsmaßnahmen

Lesen Sie sich die Bedienungsanleitung bitte vor der Inbetriebnahme genau durch. Neben grundsätzlichen Installations- und Bedienungshinweisen (bitte beachten Sie auch die Sicherheits- und Warnhinweise am Anfang der Bedienungsanleitung) enthält sie allgemeine Informationen, die Ihnen helfen werden, Ihr System mit seiner maximalen Leistungsfähigkeit zu betreiben. Bitte setzen Sie sich bei etwaigen Fragen mit Ihrem autorisierten Rotel-Fachhändler in Verbindung.

Bewahren Sie den Versandkarton und das übrige Verpackungsmaterial des RA-985BX für einen eventuellen späteren Einsatz auf. Der Versand oder Transport des Vollverstärkers in einer anderen als der Originalverpackung kann zu erheblichen Beschädigungen des Gerätes führen.

Schicken Sie die Ihrem Vollverstärker beiliegende Garantieforderungskarte ausgefüllt an den Rotel-Distributor in Ihrem Land. Bewahren Sie bitte die Original-Kaufquittung auf. Sie belegt am besten das Kaufdatum, das für Sie wichtig wird, sobald Sie eine Garantieleistung in Anspruch nehmen.

## Aufstellung des Gerätes

Wie bei vielen anderen Audio-Komponenten auch, kann die Signalqualität des RA-985BX durch andere Geräte beeinträchtigt werden. Stellen Sie den RA-985BX nicht auf eine Endstufe. So verhindern Sie Brummen bzw. Interferenzen.

Der RA-985BX erwärmt sich während des normalen Betriebes. Daher muß um das Gehäuse ein Freiraum von 10 cm gewährleistet sein. Die Ventilationsöffnungen an der Geräteoberseite dürfen nicht verdeckt werden. Ferner sollte der Vollverstärker nicht an einem Ort aufgestellt werden, an dem keine ausreichende Luftzirkulation gegeben ist.

Berücksichtigen Sie beim Aufbau das Gewicht des Vollverstärkers. Wir empfehlen, ihn in entsprechendem HiFi-Mobiliar unterzubringen. HiFi-Mobiliar ist so ausgelegt, daß klangbeeinträchtigende Erschütterungen gedämpft bzw. unterdrückt werden. Lassen Sie sich von Ihrem autorisierten Rotel-Fachhändler in bezug auf HiFi-Mobiliar und die optimale Aufstellung von Audio-Komponenten beraten.



## Kabel

Achten Sie bitte darauf, daß Netz-, Digital- und die normalen Audio-Signalkabel separat verlaufen. Dies minimiert die Wahrscheinlichkeit, daß Netz- bzw. Digitalkabel die Signale der Analogkabel stören. Wir empfehlen, hochwertige abgeschirmte Kabel zu verwenden. Wenden Sie sich bei etwaigen Fragen zu den optimalen Kabeln für Ihr System an Ihren autorisierten Rotel-Fachhändler.

## Netzspannung und Bedienung

### Netzanschluß 24

Aufgrund der hohen Aufnahmeleistung benötigt der RA-985BX erhebliche Strommengen. Daher sollte dieser Vollverstärker direkt an eine zweipolige Wandsteckdose angeschlossen werden. Verwenden Sie kein Verlängerungskabel. Eine hochbelastbare Mehrfachsteckdose kann eingesetzt werden, wenn sie (ebenso wie die Wandsteckdose) ausreichende Strommengen für den RA-985BX sowie die anderen an ihn angeschlossenen Komponenten liefern kann.

**Hinweis:** Schließen Sie an die geschalteten Netzsteckdosen des RA-985BX keine Endstufe an. Endstufen ziehen oftmals mehr Strom als diese Steckdosen liefern können.

Ihr RA-985BX wird von Rotel so eingestellt, daß er der in Ihrem Land üblichen Wechselspannung (entweder 230 Volt Wechselspannung oder 115 Volt Wechselspannung mit einer Netzfrequenz von 50 Hz oder 60 Hz) entspricht. Die Einstellung ist an der Geräterückseite angegeben.

**Hinweis:** Sollten Sie mit Ihrem RA-985BX in ein anderes Land umziehen, kann die Einstellung des Vollverstärkers geändert werden, so daß er mit einer anderen Netzspannung betrieben werden kann. Versuchen Sie auf keinen Fall, diese Änderung selber vorzunehmen. Durch Öffnen des Vollverstärkergehäuses setzen Sie sich gefährlichen Spannungen aus. Ziehen Sie hierzu stets qualifiziertes Servicepersonal zu Rate.

Sind Sie, wie z.B. bei einer mehrwöchigen Urlaubsreise, für längere Zeit nicht zu Hause, sollten Sie Ihren Vollverstärker (ebenso wie alle anderen Audio- und Videokomponenten) während Ihrer Abwesenheit vom Netz trennen.

### Standby-Taste 1 und Betriebsanzeige 2

Die Betriebsanzeige befindet sich über der Standby-Taste und leuchtet, sobald der RA-985BX an eine stromführende Steckdose angeschlossen wird. Durch Drücken der Standby-Taste wird der Vollverstärker eingeschaltet, und die LED am Lautstärkereglern beginnt zu leuchten. Durch erneutes Drücken schaltet der Vollverstärker in den Standby-Modus, und die LED am Lautstärkereglern erlischt.

### Geschaltete Netzsteckdosen 23

Der RA-985BX verfügt auf der Geräterückseite über zwei schaltbare Netzsteckdosen, die über die Standby-Taste ein- und ausgeschaltet werden. Befindet sich der RA-985BX im Standby-Modus, sind die geschalteten Steckdosen abgeschaltet. Die Gesamtschaltleistung beträgt 400 Watt. Die geschalteten Netzsteckdosen sind damit in der Lage, Signalquellen wie CD-Player, Tuner oder Cassettenrecorder mit Strom zu versorgen. Endstufen sollten nicht an sie angeschlossen werden. Angeschlossene Geräte mit einem Leistungsbedarf von mehr als 400 Watt können die Standby-Taste des RA-985BX beschädigen.

### Eingangsanschlüsse 15

[siehe Abb. 1]

Der RA-985BX verfügt über Cinch-Anschlüsse wie sie an jedem hochwertigen Audiogerät zu finden sind.

**Hinweis:** Beim Verkabeln und Anschließen sollten die Geräte generell abgeschaltet sein.

Alle Eingänge des RA-985BX sind Hochpegeleingänge. An diese Eingänge können z.B. CD-Player, HiFi-Stereo-Video- und -Cassettenrecorder, Tuner für Audio oder Video, Minidisc-Player oder der Analogausgang eines CD-ROM-Laufwerks angeschlossen werden. Möchten Sie mit dem RA-985BX einen Plattenspieler betreiben, können Sie einen Phono-Vorverstärker wie den Rotel-RQ-970 dazwischenschalten.

Die linken und rechten Kanäle sind farbig gekennzeichnet. Die linken Cinch-Buchsen weiß, die rechten Cinch-Buchsen rot. Sie sind an die entsprechenden Kanäle der Quellkomponenten anzuschließen. Wir empfehlen Ihnen, zum Anschluß der Eingangsquellen an den RA-985BX hochwertige Cinch-Kabel zu verwenden. Lassen Sie sich diesbezüglich von Ihrem autorisierten Rotel-Fachhändler beraten.

## Tape-Anschlüsse 16

[siehe Anschlußdiagramm in Abb. 2]

Die mit Tape 1 und Tape 2 gekennzeichneten Ein- und Ausgänge können an jedes beliebige Aufnahme- und Wiedergabegerät angeschlossen werden, das analoge Hochpegel-Ein- und Ausgangssignale verarbeiten kann. Normalerweise wird dies ein herkömmlicher Cassettenrecorder sein.

Denken Sie beim Anschluß eines Recorders an den RA-985BX daran, daß die Ausgänge des Recorders mit den Tape-Eingängen des RA-985BX verbunden werden müssen. Dementsprechend sind die Tape-Ausgänge des RA-985BX mit den Tape-Eingängen des Recorders zu verbinden. Stellen Sie, wie bei den anderen Quellen auch, sicher, daß die linken und rechten Kanäle zu jedem Gerät mit den entsprechenden Kanälen der angeschlossenen Komponenten verbunden werden. Verwenden Sie hochwertige Verbindungskabel, um eine optimale Klangqualität zu gewährleisten.

**Hinweis:** Normalerweise wird das an die Tape-Ausgänge gesendete Signal über den Record-Select-Wahlschalter 12 ausgewählt. Ist jedoch die 2-Bereichs-Funktion aktiviert, wird der Record-Select-Wahlschalter zum Quellenwahlschalter.

## ZONE 2-Ausgangsanschluß 17

[siehe Anschlußdiagramm in Abb. 3]

Über diesen Ausgang kann der RA-985BX (nach Anschluß einer zusätzlichen Endstufe und nach Anschluß von Lautsprechern) einen anderen Teil des Hauses mit Musik beschallen. Sie können sich eine andere als die im Haupthörraum gespielte Signalquelle oder auch dieselbe anhören. Weitere Informationen entnehmen Sie bitte dem Abschnitt „2-Bereichs-Funktion“.

## Vorverstärker/Endstufen-Brücken 18

Diese mit „Pre Out“ und „Main In“ gekennzeichneten Anschlüsse sind normalerweise über Metallbrücken miteinander verbunden. An sie können problemlos nahezu alle Arten von Signalprozessoren angeschlossen werden. Nehmen Sie dazu die Brücken aus den Cinch-Buchsen. Über hochwertige Kabel verbinden Sie die „Pre Out“-Anschlüsse mit den Eingängen des Signalprozessors. Verbinden Sie die Ausgänge des Signalprozessors mit den „Main In“-Anschlüssen.

Diese Anschlußbuchsen werden vorwiegend zur Integration eines Surround-Sound-Prozessors in das System genutzt. In der Regel werden die Ausgänge der Frontkanäle des Signalprozessors an die „Main In“-Buchsen des RA-985BX angeschlossen. Die anderen Ausgänge des Signalprozessors werden mit anderen Endstufen und Lautsprechern verbunden.

## Fernbedienungsanschluß für Cassettenrecorder 19

Einige Rotel-Cassettenrecorder können über die zum Lieferumfang des RA-985BX gehörende Fernbedienung RR-927 ferngesteuert werden. Dazu verbinden Sie den CASSETTE-REMOTE-Anschluß an der Rückseite des RA-985BX über ein nach DIN genormtes Standard-8-Pin-Kabel mit dem Anschluß an der Rückseite des Cassettenrecorders. Die Signale der RR-927 werden vom Fernbedienungssensor an der Gerätefront des RA-985BX empfangen und über das Verbindungskabel an den Cassettenrecorder weitergeleitet.

## „Remote Sensor Extension“-Anschlüsse 20

Diese Anschlußbuchsen werden zusammen mit einem Video-Link-Infrarot-Empfänger bzw. -Verstärker von Xantech (diese Geräte können optional bei Systeminstallateuren erworben werden) genutzt. Über diese Anschlüsse kann der RA-985BX die Infrarotsignale der Fernbedienung aufnehmen und an andere Systemkomponenten weiterleiten. Lassen Sie sich diesbezüglich von Ihrem autorisierten Fachhändler beraten.

*Video Link und Xantech sind eingetragene Warenzeichen der Xantech Corporation.*

## Lautsprecherausgänge 21 und 22

Der RA-985BX verfügt an der Rückseite über zwei Paar mit „A“ und „B“ gekennzeichnete schaltbare Lautsprecherausgänge. Über den Lautsprecherwahlschalter 5 an der Gerätefront kann eingestellt werden, welches Lautsprecherpaar spielen soll.

## Auswahl der Lautsprecher

Wir empfehlen, an den RA-985BX Lautsprecher mit einer nominalen Impedanz von mindestens 4 Ohm anzuschließen. Sind beide Lautsprecherpaare A und B gleichzeitig in Betrieb, ist sicherzustellen, daß jeder Lautsprecher eine Impedanz von mindestens 8 Ohm besitzt. Die Angaben bezüglich der Impedanz von Lautsprechern sind oft ungenau. In der Praxis ergeben sich nur bei sehr wenigen Lautsprechern Probleme beim Betrieb mit dem RA-985BX. Wenden Sie sich bei Fragen bitte an Ihren autorisierten Rotel-Fachhändler.

## Auswahl der Lautsprecherkabel

Verbinden Sie den RA-985BX und die Lautsprecher über ein isoliertes, zweiadriges Lautsprecherkabel. Aufbau und Qualität des Kabels können hörbare Effekte auf die Musikwiedergabe haben. Standard-„Klingeldraht“ wird funktionieren, jedoch können vor allem bei größeren Kabellängen Leistungsverluste und eine ungleichmäßige Wiedergabe des Frequenzspektrums das Ergebnis sein. Allgemein gilt, daß Kabel mit größerem Querschnitt eine verbesserte Wiedergabequalität gewährleisten. Für höchste Wiedergabequalität sollten Sie die Benutzung von speziellen, hochwertigen Lautsprecherkabeln erwägen. Ihr autorisierter Rotel-Fachhändler wird Ihnen bei der Auswahl dieser Lautsprecherkabel gerne weiterhelfen.

## Polarität und Phasenabgleich

Die Polarität – die positive/negative Ausrichtung der Anschlüsse – muß für jede Lautsprecher-/Verstärkerverbindung phasengleich sein. Wird die Polarität einer Verbindung irrtümlicherweise umgekehrt, führt dies zu einem unausgewogenen Klangbild mit schwachen Bässen.

Die Kabel sind zur Identifizierung gekennzeichnet. So kann die Isolationsschicht eines Leiters gerippt oder ein Leiter mit einem Streifen markiert sein. Das Kabel kann verschiedenfarbige Leiter (Kupfer und Silber) besitzen und von einer transparenten Isolationsschicht umgeben sein. Bei anderen Kabeln wird die Polaritätsangabe auf die Isolationsschicht gedruckt. Unterscheiden Sie zwischen positiven und negativen Leitern und achten Sie beim Anschluß an Lautsprecher und Verstärker auf die gleiche Polung.

## Anschließen der Lautsprecher

Der RA-985BX verfügt an der Rückseite über zwei Paar farbig gekennzeichnete Anschlußklemmen. An diese Anschlußklemmen können blanke Drähte oder Kabelschuhe angeschlossen werden.

Führen Sie das Kabel vom RA-985BX zu den Lautsprechern. Lassen Sie sich genügend Raum, damit Sie die Komponenten bewegen können und so einen freien Zugang zu den Lautsprechern sicherstellen.

Bei der Verwendung von Kabelschuhen verbinden Sie diese mit den Kabeln, stecken die Kabelschuhe hinten unter die Anschlußklemmen und drehen die Klemmen im Uhrzeigersinn fest.

Sollten die Lautsprecherkabel direkt (ohne Kabelschuhe) an die Lautsprecherklemmen angeschlossen werden, so entfernen Sie an den Kabelenden ca. 15 mm der Isolation. Lösen Sie die Polklemmen durch Drehen gegen den Uhrzeigersinn. Verdrillen Sie die blanken Kabelenden, um ein Zerfasern zu vermeiden, und stecken Sie das verdrehte Kabel hinter die Polklemmen. Anschließend drehen Sie die Polklemmen im Uhrzeigersinn fest.

**Hinweis:** Achten Sie bitte darauf, daß die blanken Kabelenden vollständig an den Polklemmen untergebracht sind und somit das Berühren benachbarter Drähte oder Anschlüsse ausgeschlossen ist.

## Bedienelemente an der Gerätefront

### Lautstärkeregelung (VOLUME) 10

Durch Drehen des Lautstärkereglers (VOLUME) im Uhrzeigersinn wird die Lautstärke auf beiden Kanälen erhöht, durch Drehen gegen den Uhrzeigersinn reduziert.

### Balance-Regler 11

Mit dem Balance-Regler wird das Lautstärkeverhältnis zwischen linkem und rechtem Kanal eingestellt. Durch Rechtsdrehung dieses Reglers wird die Lautstärke des rechten Lautsprechers gegenüber dem linken erhöht, durch Linksdrehung reduziert.

### Klangregelung (TONE) 9

Normalerweise sollten Sie diesen Schalter in der OFF-Position lassen. Die Klangregler arbeiten dann nicht, und die Signale werden ohne Beeinträchtigung der Klangqualität am Klangregelnetzwerk vorbeigeleitet. Möchten Sie den Klang verändern, so stellen Sie diesen Regler in die ON-Position.

### Tiefenregler 7 und Höhenregler 8 (BASS/TREBLE)

Der BASS-Regler dient zur Einstellung der „Bässe“, der TREBLE-Regler zur Einstellung der Höhen. Stehen die beiden Regler in der Mittenposition, so erhält man einen ausgeglichenen Frequenzgang. Zum Anheben der Frequenzbereiche drehen Sie den jeweiligen Regler nach rechts, zum Absenken nach links.

### Lautsprecherwahlschalter (SPEAKERS) 5

Wird der Lautsprecherwahlschalter in Position „A“ gesetzt, wird das an die Lautsprecheranschlusklemmen „A“ 21 angeschlossene Lautsprecherpaar ausgewählt. Wird der Lautsprecherwahlschalter in Position „B“ gesetzt, spielen die an die Lautsprecheranschlusklemmen „B“ 22 angeschlossenen Lautsprecher. Bei Verwendung von Kopfhörern setzen Sie diesen Schalter in die „OFF“-Position. Wichtige Informationen bezüglich der Lautsprecherimpedanz können Sie dem Abschnitt „Auswahl der Lautsprecher“ entnehmen.

### Listening-Wahlschalter 14

Die Einstellung des Listening-Wahlschalters entscheidet darüber, welche Quelle Sie über die Lautsprecher hören. Die ausgewählte Quelle ist diejenige, deren Signale durch die Vorverstärker/Endstufen-Brücken (Pre Out/Main In) geleitet werden.

## Record-Select-Wahlschalter 12

Mit dem Record-Select-Wahlschalter wird die Aufnahmequelle angewählt. Möchten Sie nicht aufnehmen, empfehlen wir, den Record-Select-Wahlschalter in die Off-Position zu setzen, um die Wahrscheinlichkeit von Wechselwirkungen mit anderen Systemkomponenten auf ein Minimum zu reduzieren.

Separate Listening- und Record-Select-Wahlschalter erhöhen die Flexibilität beim Einsatz des RA-985BX. Stellen Sie beispielsweise den Record-Select-Wahlschalter auf CD und den Listening-Wahlschalter auf Tuner, so können Sie die CD aufnehmen, während Sie mit dem Tuner Musik hören.

Möchten Sie eine Aufnahme von einem Recorder auf einen anderen überspielen, so schließen Sie das Quellgerät an den Tape 1-Eingang an. Setzen Sie den Record-Select-Schalter auf Position „Tape 1“. Schließen Sie das Aufnahmegerät an den Tape 2-Ausgang an.

**Hinweis:** Wird der Ausgang für eine 2. Zone genutzt, wird der Record-Select-Wahlschalter zum Quellenwahlschalter für die 2. Zone. Ist die 2-Bereichs-Funktion aktiviert, kann nicht aufgenommen werden.

## Kopfhörerbuchse (PHONES) 6

Über die Kopfhörerbuchse (PHONES) kann ein Kopfhörer angeschlossen werden. Diese Buchse ist auf die Verwendung von Standard-Stereo-Kopfhörersteckern ausgelegt. Sollte der Stecker Ihres Kopfhörers nicht passen, fragen Sie Ihren autorisierten Rotel-Fachhändler nach einem geeigneten Adapter. Über die Lautsprecher ist weiterhin Musik zu hören, wenn der Lautsprecherwahlschalter entsprechend eingestellt ist. Setzen Sie den Lautsprecherwahlschalter in die „Off“-Position, wenn Sie nur über Kopfhörer Musik hören möchten.

## Fernbedienungssensor 4

Der Fernbedienungssensor empfängt die Infrarotsignale der Fernbedienung. Verdecken Sie den Sensor nicht, da ansonsten kein ordnungsgemäßer Betrieb der Fernbedienung gewährleistet ist. Der Betrieb der Fernbedienung kann ferner durch helles Licht, insbesondere Sonnenlicht, beeinträchtigt werden. Auch arbeitet die Fernbedienung nicht ordnungsgemäß, wenn die Batterien zu schwach sind.

## 2-Bereichs-Funktion

[siehe Anschlußdiagramm in Abb. 3]

**Hinweis:** Sämtliche 2-Bereichs-Funktionen werden über die Fernbedienung RR-927 gesteuert. Weitere Informationen entnehmen Sie bitte dem Abschnitt unten.

## Rec/Zone-Taste 28 und Zone-LED 13

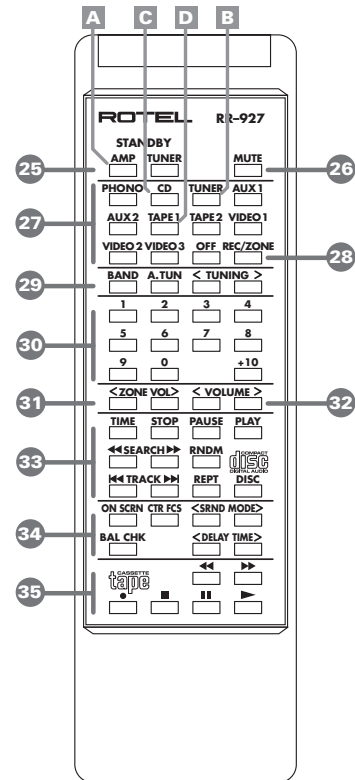
Durch Drücken der Rec/Zone-Taste aktivieren Sie die 2-Bereichs-Funktion. Die Zone-LED beginnt zu leuchten. Der Record-Select-Wahlschalter dient jetzt als Quellenwahlschalter für die 2. Zone. Durch erneutes Drücken der Rec/Zone-Taste wird dieser Schalter wieder zum Record-Select-Wahlschalter. Die Zone-LED erlischt.

## Tasten für die Quellenwahl 27

Bei aktivierter 2-Bereichs-Funktion wird die Quelle für die 2. Zone mit den Quellenwahltasten ausgewählt.

## Lautstärketasten für die 2. Zone 31

Die mit „<Zone Vol>“ gekennzeichneten Tasten regeln die Lautstärke der 2. Zone. Drücken Sie die linke Taste, um die Lautstärke zu reduzieren und die rechte Taste, um die Lautstärke zu erhöhen.



Die Tasten **A**, **B**, **C** und **D** dienen zur Programmierung der Fernbedienung. Siehe folgende Hinweise.

## Fernbedienung RR-927

Zusätzlich zu den 2-Bereichs-Funktionen können die meisten Funktionen des RA-985BX über diese Fernbedienung gesteuert werden. Darüber hinaus lassen sich alle aktuellen fernbedienbaren Modelle der Serie 900 über diese Fernbedienung steuern. Abhängig vom jeweiligen Gerät kann es erforderlich sein, die RR-927 mit einem neuen „Code“ zu programmieren. Gehen Sie dabei wie im Abschnitt „Umprogrammieren“ beschrieben vor. Im Werk wird die RR-927 so programmiert, daß sie die folgenden Komponenten steuern kann:

Verstärker (Code A2) – RA-985BX, RA-945, RC-995  
 Tuner (Code B1) – RTC-940AX, RX-950AX, RT-940AX  
 CD-Player (Code C1) – RCD-970BX, RCD-975  
 Cassettenrecorder (Code D1) – RD-960BX

### Umprogrammieren

Um die RR-927 für den Betrieb mit einer anderen Komponente als den oben aufgelisteten zu programmieren, drücken Sie gleichzeitig die mit dem angegebenen Buchstaben belegte Taste sowie die für die jeweilige Komponente angegebene Zifferntaste. Der Tabelle unten können Sie die Buchstaben/ Ziffernkombinationen für die verschiedenen Geräte entnehmen.

Codes für Verstärker und Vorverstärker: (Die „Amp/Standby“-Taste ist mit „A“ belegt.)

A1 – RTC-940AX, RTC-950AX, RX-950AX  
 A2 – RA-985BX, RA-945, RC-972, RC-995  
 A4 – RC-990BX

Codes für Tuner: (Die „Tuner“-Taste ist mit „B“ belegt.)

B1 – RTC-940AX, RTC-950AX, RX-950AX, RT-940AX  
 B4 – RT-990BX

Codes für CD-Player: (Die „CD“-Taste ist mit „C“ belegt.)

C1 – RCD-970BX, RCD-975, RCD-945AX/955AX/965BX  
 C2 – RCC-935, RCD-940BX, RCC-940AX  
 C3 – RCC-955, RCD-930AX, RCD-951, RCD-971

Cassettenrecorder: (Die „Tape 1“-Taste ist mit „D“ belegt.)

D1 – RD-960BX

Beispiele: Um die RR-927 für den Betrieb des Tuners RT-990BX zu programmieren, drücken Sie die Tuner-Taste **B** und gleichzeitig die Taste 4. Möchten Sie die RR-927 für den Betrieb des RCD-930AX programmieren, drücken Sie die CD-Taste **C** und gleichzeitig die Taste 3.

## Sonstige Funktionen der Fernbedienung

Im folgenden erhalten Sie weitere Informationen zu den Funktionen der RR-927.

### STANDBY-Tasten (AMP/TUNER) 25

Durch Drücken dieser Tasten schalten Sie den RA-985BX bzw. einen Tuner ein. Durch erneutes Drücken werden die Geräte in den Standby-Modus geschaltet.

### Mute-Taste 26

Drücken Sie die Mute-Taste, um den Ausgang des RA-985BX stummzuschalten. Durch erneutes Drücken dieser Taste schalten Sie in den normalen Betriebsmodus zurück. Bei Stummschaltung blinkt die LED am Lautstärkereglern.

### Tasten zur Fernbedienung von Tunern 29

Über diese Tasten können verschiedene Rotel-Tuner ferngesteuert werden. Weitere Informationen entnehmen Sie bitte der Bedienungsanleitung zu Ihren Tunern.

### Zifferntasten 30

Diese Tasten werden für die Fernbedienung von Tunern und CD-Playern genutzt. Bei der Fernbedienung von Tunern dienen diese Tasten zur Auswahl der eingegebenen Senderspeicher. Bei CD-Playern werden über diese Tasten die Titelnummern angewählt.

Um einen Senderspeicher anzuwählen, drücken Sie die Tuner-Taste und anschließend die Nummer für den jeweiligen Senderspeicher. Bei höheren Speichernummern hängt die Vorgehensweise vom fernzusteuernenden Gerät ab. Beim RT-940AX und beim RT-990BX drücken Sie die +10-Taste und anschließend die Zifferntaste, die dem Restbetrag für den gewählten Senderspeicher entspricht. Beispiel: Um den Senderspeicher 14 anzuwählen, drücken Sie die +10-Taste und anschließend die 4. Beim RX-950AX, RTC-950AX und RTC-940AX wird die +10-Taste nicht genutzt. Bei diesen Komponenten wird die Taste 9 als „+8“-Taste genutzt. Beispiele: Um den Senderspeicher 16 anzuwählen, drücken Sie die Taste 9 („+8“) und anschließend die 8. Um den Senderspeicher 9 anzuwählen, drücken Sie die 9 und anschließend die 1.

Zur Anwahl eines Titels auf einer CD drücken Sie die CD-Taste und anschließend die Nummer des Titels, den Sie abspielen möchten. Die Anwahl höherer Titelnummern hängt vom fernzusteuernenden Modell ab. Beim RCD-930AX drücken Sie die +10-Taste und anschließend die Zifferntaste, die dem Restbetrag für den Titel entspricht, den Sie anwählen möchten. Beispiel: Möchten Sie Titel 15 anwählen, drücken Sie die +10-Taste und anschließend die 5. Beim RCD-970BX, RCD-975 und RCD-940BX drücken Sie die Ziffern, aus denen sich die gewünschte Titelnummer zusammensetzt. Beispiel: Möchten Sie den Titel 17 anwählen, drücken Sie Zifferntaste 1 und anschließend Zifferntaste 7.



## Lautstärketasten 32

Diese Tasten übernehmen die Funktion des Lautstärkereglers an der Frontseite des RA-985BX. Drücken Sie die rechte Taste (>), um den Lautstärkepegel zu erhöhen. Drücken Sie die linke Taste (<), um den Lautstärkepegel zu senken.

## Tasten zur Fernbedienung von Cassettenrecordern 35

Diese Tasten steuern die Funktionen der ähnlich gekennzeichneten Tasten an Rotel-Cassettenrecordern. Weitere Informationen entnehmen Sie bitte der Bedienungsanleitung Ihres Cassettenrecorders.

## Tasten zur Fernbedienung von Surround-Sound-Prozessoren 34

Diese Tasten steuern die Funktionen vieler Bedienelemente Ihres Rotel-Surround-Sound-Prozessors. Weitere Informationen entnehmen Sie bitte der Bedienungsanleitung Ihres Prozessors.

## Tasten zur Fernbedienung von CD-Playern 33

Über diese Tasten können verschiedene Rotel-CD-Player ferngesteuert werden. Weitere Informationen entnehmen Sie bitte der Bedienungsanleitung zu Ihrem Player.

## Schutzschaltung 3

Der RA-985BX verfügt über eine thermische Schutzschaltung und einen Überstromschutz. Hierdurch wird der Verstärker vor möglichen Schäden durch extreme oder fehlerhafte Betriebsbedingungen geschützt. Die Schutzschaltungen sind unabhängig vom Audiosignal und haben keinen Einfluß auf den Klang. Statt dessen überwachen sie die Temperatur an den Leistungstransistoren und schalten den Verstärker ab, sobald bestimmte Temperaturgrenzen überschritten werden.

Es ist unwahrscheinlich, daß es jemals zu einer Überlastung kommt. Sollte dennoch eine Störung auftreten, schaltet sich der Verstärker ab, und die PROTECTION-LED an der Gerätefront beginnt zu leuchten.

Schalten Sie den Verstärker aus und lassen Sie ihn einige Minuten abkühlen. Versuchen Sie, den Grund für die Störung herauszufinden und zu beheben. Beim erneuten Einschalten des Gerätes setzt sich die Schutzschaltung automatisch zurück, und die LED erlischt.

In vielen Fällen wird die Schutzschaltung durch eine Fehlfunktion, wie z.B. durch kurzgeschlossene Lautsprecherkabel oder eine unzureichende Belüftung, die schließlich zu einer Überhitzung führt, aktiviert. In sehr seltenen Fällen können Lautsprecher mit einer extrem niedrigen Impedanz die Schutzschaltung aktivieren.

Reagiert die Schutzschaltung immer wieder, ohne daß Sie die Fehlfunktion lokalisieren können, setzen Sie sich mit Ihrem autorisierten Rotel-Fachhändler in Verbindung.

## Bei Störungen

Tritt eine scheinbare Fehlfunktion auf, sollten zuerst die nachstehend aufgeführten Punkte überprüft werden. Viele Probleme beruhen auf Einstellungsfehlern oder fehlerhaften Anschlüssen. Sollten Störungen auftreten, grenzen Sie den Bereich ein. Versuchen Sie, die Ursache für die Störung herauszufinden. Prüfen Sie die Einstellung der Regler und nehmen Sie gegebenenfalls die erforderlichen Änderungen vor. Läßt sich das Problem nicht beheben, wenden Sie sich bitte an Ihren autorisierten Rotel-Fachhändler.

### Die STANDBY-LED leuchtet nicht

Bei ordnungsgemäßem Betrieb beginnt die STANDBY-LED zu leuchten, wenn der RA-985BX an eine stromführende Wandsteckdose angeschlossen wird. Leuchtet sie nicht, prüfen Sie mit einem anderen elektrischen Verbraucher, z.B. einer Lampe, ob die Steckdose tatsächlich Strom führt. Prüfen Sie, ob der Strom nicht durch einen dazwischengeschalteten Schalter abgeschaltet worden ist.

### Austauschen der Sicherung

Funktioniert ein anderes elektrisches Gerät an einer Steckdose, während die STANDBY-LED des RA-985BX nicht leuchtet, wenn der Vollverstärker an diese Steckdose angeschlossen wird, so kann dies ein Hinweis darauf sein, daß die Grobsicherung im Gehäuseinnern durchgebrannt ist. Trennen Sie den Vollverstärker vom Netz und lassen Sie die Sicherung von Ihrem autorisierten Rotel-Fachhändler auswechseln.

### Kein Ton

Prüfen Sie, ob die Signalquelle einwandfrei funktioniert. Vergewissern Sie sich, ob die Kabel von der Signalquelle zu den Eingängen des RA-985BX ordnungsgemäß angeschlossen sind. Stellen Sie sicher, daß der Listening-Wahlschalter auf den richtigen Eingang geschaltet ist. Prüfen Sie alle Verbindungskabel zwischen dem RA-985BX und den Lautsprechern.

### PROTECTION-LED leuchtet

Wurde der RA-985BX von den Schutzschaltungen abgeschaltet, beginnt die PROTECTION-LED zu leuchten. Normalerweise passiert dies nur, wenn die Ventilationsöffnungen blockiert sind, die Lautsprecher nicht richtig angeschlossen wurden oder der Vollverstärker überlastet wurde. Schalten Sie das System ab und warten Sie, bis sich der Vollverstärker abgekühlt hat. Drücken Sie den Netzschalter anschließend einmal ein und aus, um die Schutzschaltungen zurückzusetzen. Ist die Störung nicht beseitigt oder tritt sie erneut auf, liegt das Problem im System oder im Vollverstärker selber.

## AVVERTENZA:

Non contiene parti ad uso dell'utente. Per l'assistenza fate riferimento a personale qualificato.

## Avvertenza:

Per ridurre il rischio di scossa o incendio, non esponete questo apparecchio a pioggia o umidità. Non lasciate che oggetti estranei cadano all'interno dell'apparecchio. Nel caso questo venisse esposto a umidità o un oggetto estraneo vi cadesse all'interno, togliete immediatamente il cordone di alimentazione dalla parete. Portate l'apparecchio a una persona qualificata per la manutenzione per effettuare un controllo e le necessarie riparazioni.

Leggere le istruzioni tutte le istruzioni d'uso e di sicurezza prima di attivare l'apparecchiatura. Conservate questo manuale di istruzioni per farvi riferimento in caso di sicurezza.

Seguite tutte le avvertenze e le istruzioni di sicurezza in questo manuale e sul prodotto stesso. Seguite tutte le indicazioni di utilizzo.

Pulite l'apparecchio solo con un panno asciutto o un aspirapolvere.

Mantenete le prese di ventilazione sull'apparecchiatura libere. Per esempio, l'apparecchiatura non dovrebbe essere posta su un letto, divano, tappeto, o posti che possano bloccare le aperture di ventilazione. Se l'apparecchiatura viene collocata in una libreria o in un armadietto ci deve essere sufficiente passaggio d'aria intorno all'apparecchio per rendere possibile un corretto raffreddamento.

Mantenete l'apparecchiatura lontano da caloriferi, termostati, stufe, o altri apparecchi che producano calore

**L'apparecchiatura dovrebbe essere collegata solamente a una sorgente elettrica del tipo e del voltaggio segnato sul pannello posteriore dell'apparecchiatura.**

Collegate l'apparecchiatura ad una presa di alimentazione solo con il cavo di alimentazione provvisto a due fili polarizzati o con uno simile. Non modificate in alcun caso il cavo fornito. Non cercate di evitare la messa a terra o la polarizzazione. Il cavo dovrebbe essere collegato a una spina a due poli compatibile con la presa a lamella. Non fate uso di prolunghe.

Non fate passare i cavi di alimentazione dove potrebbero essere calpestati o piegati ad angoli acuti, esposti a calore o danneggiati in alcun caso. Fate particolare attenzione al cavo di alimentazione in corrispondenza della spina e del punto da cui esce dall'apparecchiatura. Il cordone di alimentazione dovrebbe essere scollegato quando l'apparecchiatura è inutilizzata per un periodo piuttosto lungo.

Smettete immediatamente di utilizzare l'apparecchiatura e fatela ispezionare e/o controllare da un'assistenza qualificata se:

- Il cavo di alimentazione o la spina sono stati danneggiati.
- Oggetti sono caduti, o del liquido è stato versato nell'apparecchio.
- L'apparecchiatura è stata esposta alla pioggia.
- L'apparecchiatura non sembra funzionare in modo normale.
- L'apparecchiatura è caduta, o il cabinet è rimasto danneggiato.

L'apparecchiatura dovrebbe essere collocata su una superficie fissa e piana forte abbastanza per portarne il peso. Non collocate l'apparecchiatura su un carrello mobile che potrebbe ribaltarsi.



## Indice (i numeri in grassetto fanno riferimento alle illustrazioni)

<b>Alcune parole sulla Rotel</b> _____	<b>30</b>
<b>Per cominciare</b> _____	<b>30</b>
Alcune precauzioni	30
Posizionamento	30
Cavi	31
<b>Collegamento alla rete e controlli</b> _____	<b>31</b>
Ingresso in corrente alternata <b>24</b>	31
Interruttore di accensione/standby <b>1</b> e spia di accensione <b>2</b>	31
Uscite di alimentazione ausiliarie <b>23</b>	31
<b>Collegamenti per i segnali di ingresso <b>15</b></b> _____	<b>31</b>
<b>Collegamenti del registratore <b>16</b></b> _____	<b>32</b>
<b>Collegamento di uscita della Seconda Zona <b>17</b></b> _____	<b>32</b>
<b>Ponticelli tra preamp/amp <b>18</b></b> _____	<b>32</b>
<b>Connettore per comando a distanza del registratore <b>19</b></b> _____	<b>32</b>
<b>Sistema di estensione del sensore del comando a distanza <b>20</b></b> _____	<b>32</b>
<b>Uscite del diffusore <b>21</b> e <b>22</b></b> _____	<b>32</b>
Selezione dei diffusori	32
Scelta dei cavi	33
Polarità e fase	33
Collegamento dei diffusori	33
Comandi del pannello anteriore	33
Controllo del volume <b>10</b>	33
Controllo balance <b>11</b>	33
Interruttore per l'esclusione dei toni (Tone Defeat) <b>9</b>	33
Controllo dei Bassi <b>7</b> e controllo degli Acuti <b>8</b>	33
Interruttore di selezione dei diffusori <b>5</b>	33
Selettore di ascolto <b>14</b>	33
Selettore di registrazione <b>12</b>	34
Uscita cuffia <b>6</b>	34
Sensore a distanza <b>4</b>	34
<b>Attivazione della Seconda Zona</b> _____	<b>34</b>
Pulsante Rec/Zone <b>28</b> e spia di Zona <b>13</b>	34
Pulsanti di selezione di sorgente <b>27</b>	34
Pulsanti del volume Zone <b>31</b>	34
Comando a distanza RR-927	35
Riprogrammazione	35
<b>Altre funzioni del comando a distanza</b> _____	<b>35</b>
Pulsanti di accensione standby <b>25</b>	35
Pulsante mute <b>26</b>	35
Pulsanti di comando del sintonizzatore <b>29</b>	35
Pulsanti numerici di direct access <b>30</b>	35
Pulsanti di controllo del volume <b>32</b>	35
Pulsanti di controllo della piastra di registrazione <b>35</b>	36
Pulsanti del processore surround <b>34</b>	36
Pulsanti di comando del lettore CD <b>33</b>	36
<b>Circuiti di protezione <b>3</b></b> _____	<b>36</b>
<b>Ricerca guasti</b> _____	<b>36</b>
La spia di standby non si illumina	36
Sostituzione del fusibile	36
Nessun suono	36
L'indicatore di protezione e' acceso	36
<b>Caratteristiche</b> _____	<b>52</b>



## Alcune parole sulla Rotel

Una famiglia, la cui passione per la musica ha spinto a realizzare componenti hi-fi di elevata qualità, fondò la Rotel più di 30 anni fa. Attraverso gli anni la passione è rimasta intatta e l'obiettivo di offrire prodotti eccezionali agli audiofili e amanti della musica ad un costo non elevato è condiviso da tutti alla Rotel.

Gli ingegneri lavorano come una squadra affiatata, ascoltando e mettendo a punto ogni nuovo prodotto finché non raggiunge perfettamente i loro standard musicali. Sono liberi di scegliere i componenti in qualsiasi parte del mondo al fine di realizzare il prodotto nel miglior modo possibile. Così potrete trovare condensatori provenienti dall'Inghilterra e dalla Germania, semiconduttori dal Giappone o dagli Stati Uniti, mentre i trasformatori toroidali sono prodotti proprio dalla Rotel.

La fama di eccellenza della Rotel è stata guadagnata grazie a centinaia di ottime recensioni e riconoscimenti conferiti dai più autorevoli esperti del settore, che ascoltano la musica ogni giorno. I loro commenti confermano l'obiettivo della società - La ricerca di un apparecchio che sia musicale, affidabile e conveniente.

Vi ringraziamo per aver scelto questo prodotto augurandovi molte ore di piacevole intrattenimento musicale.

## Per cominciare

Grazie per aver acquistato l'amplificatore stereo integrato Rotel RA-985BX. Utilizzato in un impianto hi-fi di alta qualità vi garantirà numerosi anni di intrattenimento musicale.

L'RA-985BX è un amplificatore versatile di elevate prestazioni. Tutti gli aspetti del design sono stati ottimizzati per conservare la piena gamma dinamica e per restituirvi anche i minimi dettagli della vostra musica. L'RA-985BX ha uno stadio di alimentazione altamente regolato che comprende un trasformatore toroidale specificamente progettato dalla Rotel e appositi condensatori slit-foil. Questa alimentazione a bassa impedenza ha ampie riserve di potenza che consentono all'RA-985BX di riprodurre i segnali audio più complessi. Questo tipo di progetto è più costoso da produrre ma è migliore per la musica.

Abbiamo progettato le schede dei circuiti stampati (PCB) con Tracce a Circuito Simmetrico. Ciò garantisce che il tempo esatto della musica venga mantenuto e fedelmente riprodotto. La circuitazione dell'RA-985BX contiene resistenze a film metallico e condensatori in polistirene o polipropilene che vengono utilizzati in sezioni critiche sul percorso del segnale. Tutti gli aspetti di questo progetto sono stati studiati con lo scopo finale di ottenere la più fedele riproduzione sonora.

Inoltre, l'RA-985BX ha parecchie caratteristiche che aumentano la sua facilità operativa e la flessibilità della configurazione dell'impianto. Viene fornito un completo comando a distanza che può pilotare diversi sintonizzatori Rotel e piastre di registrazione oltre all'RA-985BX. È dotato un sistema di ingresso/uscita del segnale con comando a distanza a raggi infrarossi. Questa caratteristica, utilizzata in combinazione con i rivelatori e ripetitori a infrarossi Xantech™ marca Video Link™ (venduti separatamente da installatori specializzati), consente all'RA-985BX di captare i segnali del controllo a distanza a infrarossi e di distribuirli agli altri componenti. Viene fornito un set di ponticelli per le connessioni preamp/amp che rende semplice il collegamento di componenti esterni come i processori sonori surround. Il singolare sistema di uscita per la Seconda Zona (quando utilizzato con un altro amplificatore e diffusori) permette all'RA-985BX di sonorizzare un'altra parte della vostra casa. Potete persino ascoltare una sorgente sonora diversa da quella della stanza principale.

L'installazione dell'RA-985BX e il suo funzionamento sono semplici. Se avete già esperienza con altri sistemi stereo, non dovrete incontrare alcuna difficoltà. Collegate semplicemente i componenti abbinati e ascoltate la musica.

## Alcune precauzioni

Leggete attentamente questo manuale. Oltre alle istruzioni relative all'installazione dell'RA-985 fornisce indicazioni generali che vi aiuteranno a ottenere prestazioni ottimali dal vostro impianto. Vi preghiamo di contattare il vostro rivenditore autorizzato Rotel per qualsiasi domanda. Inoltre tutti noi alla Rotel saremo ben lieti di rispondere alle vostre domande e commenti.

Conservate l'imballaggio dell'RA-985BX e tutto il materiale di imballaggio interno per un uso futuro. Trasportare o spedire l'RA-985BX in un imballo non originale potrebbe danneggiare il vostro amplificatore.

Compilate e inviate la carta di registrazione allegata all'RA-985BX. Assicuratevi anche di conservare la ricevuta della vendita originale. È il vostro migliore documento per la data di acquisto di cui avrete bisogno ogni volta sia necessario il servizio di garanzia.

## Posizionamento

Come tutti i componenti audio che utilizzano segnali a basso livello, l'RA-985BX può essere condizionato dal suo ambiente. Non appoggiate l'RA-985BX sopra un amplificatore di potenza. Questo ridurrà al minimo il surriscaldamento e le possibili interferenze o disturbi.

L'RA-985BX produce calore durante il suo funzionamento. Le alette di raffreddamento e le aperture di ventilazione dell'amplificatore sono progettate per dissipare questo calore. Le fessure di ventilazione nella parte superiore devono restare aperte. Ci dovrebbero essere 10 cm di spazio intorno al telaio e un ragionevole flusso di aria nell'area di installazione, per evitare che l'apparecchio si surriscaldi.

Quando scegliete una collocazione tenete presente il peso dell'amplificatore. Assicuratevi che lo scaffale o il cabinet possano sostenere il notevole peso. Vi raccomandiamo di installarlo in mobili progettati per accogliere componenti audio. Tali mobili appositi sono progettati per ridurre o perfino eliminare le vibrazioni che possono influenzare negativamente la qualità sonora. Chiedete consiglio al vostro rivenditore autorizzato Rotel hi-fi circa l'arredamento dedicato e una corretta installazione dei componenti audio.

## Cavi

Durante l'installazione fate attenzione a mantenere separati i cordoni di alimentazione dai cavi di segnale digitali e quelli di segnale audio standard. Questo ridurrà la possibilità di un'interferenza e disturbo fra i cordoni di alimentazione o i cavi digitali. Utilizzando cavi schermati di alta qualità contribuirà anche a evitare che disturbo o interferenza riducano la qualità sonora del vostro impianto. Se avete domande contattate il vostro rivenditore autorizzato Rotel per un consiglio sul migliore cavo per il vostro impianto.

## Collegamento alla rete e controlli

### Ingresso in corrente alternata 24

L'RA-985BX impiega una notevole quantità di corrente a causa dell'elevata potenza. Pertanto l'RA-985BX sarebbe meglio fosse collegato in genere direttamente a una presa a muro polarizzata a due poli. Non usate una prolunga. Una robusta ciabatta a prese multiple può pilotare la corrente richiesta dall'RA-985BX e dagli altri componenti collegati ad essa.

**Nota:** Non collegate il cordone di alimentazione di un amplificatore di potenza alle uscite di alimentazione ausiliarie sull'RA-985BX. Gli amplificatori di potenza spesso necessitano maggiore alimentazione di quella che queste uscite possono fornire.

Il vostro RA-985BX è già stato predisposto in fabbrica per il voltaggio corretto per il paese dove lo avete acquistato (o 115 volt o 230 volt con una frequenza di linea di o 50 Hz o 60 Hz). La configurazione di linea di corrente alternata è indicata su un adesivo sul pannello anteriore.

**Nota:** Nel caso doveste trasportare il vostro RA-985BX in un altro paese è possibile riconfigurare l'amplificatore per un utilizzo su una diversa linea di voltaggio. Non cercate di provvedere a questa conversione da soli. Aprire il cabinet dell'RA-985BX vi espone a voltaggi pericolosi. Consultate personale di servizio qualificato o il centro di servizio della Rotel per informazioni.

Se vi assentate da casa per un lungo periodo, come una vacanza di un mese, è consigliabile staccare il vostro amplificatore dalla rete (così come per gli altri componenti audio e video) durante la vostra assenza.

### Interruttore di accensione/standby 1 e spia di accensione 2

La spia dell'interruttore di accensione sopra il pulsante Standby è sempre accesa quando l'RA-985BX è collegato a un'uscita in corrente alternata "attiva". Quando viene premuto l'interruttore di accensione/standby l'RA-985BX si attiva e il LED del controllo volume si illumina. Premendo nuovamente l'interruttore Standby l'RA-985BX entrerà in modalità "standby" e il LED del controllo volume si spegne.

### Uscite di alimentazione ausiliarie 23

I modelli nordamericani dell'RA-985BX sono provvisti di due uscite con interruttore sul pannello posteriore. L'alimentazione è disponibile da queste uscite quando l'RA-985BX è acceso. L'alimentazione a queste due uscite viene disattivata quando l'RA-985BX si trova in modalità Standby. Queste uscite possono fornire fino a un totale di 400 watt. Sono adatte per fornire alimentazione a sorgenti di segnale come lettori CD, sintonizzatori, o piastre di registrazione. Non dovrebbero essere utilizzate per amplificatori di potenza. Collegando componenti che richiedono più di 400 watt a queste uscite potrebbe voler dire danneggiare l'interruttore standby dell'RA-985BX.

## Collegamenti del segnale in ingresso 15

(vedi figura 1 per le illustrazioni dei collegamenti in ingresso)

L'RA-985BX ha connettori di ingresso convenzionali del tipo RCA, il tipo che si trova su quasi tutti gli apparecchi audio.

**Nota:** per evitare rumori forti che non sarebbero apprezzati ne' da voi ne' dai diffusori, assicuratevi che l'impianto sia spento quando effettuate qualsiasi collegamento di segnale.

Tutti gli ingressi dell'RA-985BX sono ingressi di livello di linea. Servono per collegare componenti come i lettori CD, i registratori a cassetta video HiFi o NICAM, i sintonizzatori per l'audio o il video, i lettori Laser Disc o l'uscita analogica da un lettore CD ROM. Se desiderate utilizzare un giradischi con l'RA-985BX, è necessario utilizzare un equalizzatore esterno come l'RQ-970BX.

I canali destro e sinistro sono chiaramente etichettati e dovrebbero essere collegati ai canali corrispondenti del componente di sorgente. I connettori RCA del canale sinistro sono bianchi, i connettori del canale destro sono rossi Utilizzate cavi RCA di alta qualità per collegare componenti di sorgente in ingresso all'RA-985BX. Chiedete al vostro rivenditore autorizzato Rotel per avere un consiglio sui cavi.

## Collegamenti del registratore 16

### (Vedi figura 2 per l'illustrazione del collegamento al registratore)

Gli ingressi e le uscite Tape 1 e Tape 2 possono essere collegate a qualsiasi apparecchio di registrazione/riproduzione che accetti segnali standard di ingresso e di uscita di livello linea analogici. Generalmente si tratterà di un registratore a cassetta convenzionale.

Quando collegate un registratore all'RA-985BX ricordate che le uscite del registratore devono essere collegate agli ingressi tape dell'RA-985BX. Allo stesso modo le uscite tape dell'RA-985BX devono essere collegate agli ingressi del registratore. Come per altre sorgenti assicuratevi di collegare i canali destro e sinistro di ogni apparecchio al giusto canale sui componenti in abbinamento. Utilizzate cavi di collegamento di alta qualità per evitare una perdita della qualità sonora.

*NOTA: Normalmente il segnale fornito alle uscite del registratore viene selezionato dal selettore di registrazione 12. Tuttavia, quando si utilizza la funzione di uscita della Seconda Zona, il selettore di registrazione diventa il selettore di sorgente per la Seconda Zona.*

## Collegamento di uscita della Seconda Zona 17

### (vedi Figura 3 per l'illustrazione del collegamento di uscita della Seconda Zona)

Questa uscita (quando utilizzata con un altro amplificatore di potenza e i diffusori) consente all'RA-985BX di sonorizzare un'altra zona della vostra casa. Potete ascoltare una sorgente di segnale diversa da quella suonata dall'impianto principale o la stessa sorgente. Vedere la sezione della funzione della Seconda Zona per maggiori informazioni.

## Ponticelli tra preamp / amp 18

Questi connettori, etichettati "PRE OUT" e "MAIN IN", vengono generalmente collegati da una serie di ponticelli in metallo. Offrono un comodo punto di inserimento per praticamente qualsiasi tipo di processore di segnale. Per utilizzare questi connettori, estraete i ponticelli. Utilizzando cavi di alta qualità, collegate i connettori PRE OUT agli ingressi del processore di segnale. Collegate le uscite del processore di segnale ai connettori MAIN IN.

Uno degli usi più comuni di questi connettori è quello di permettere l'inserimento di un processore surround nell'impianto. Generalmente le uscite del canale anteriore dal processore di segnale sono collegate ai MAIN IN dell'RA-985BX. Le altre uscite dal processore di segnale sono collegate agli altri amplificatori di potenza e ai diffusori.

## Connettore per comando a distanza del registratore 19

Alcune piastre di registrazione Rotel possono essere controllate dal comando a distanza RR-927 che viene fornito insieme all'RA-985BX. Per fare uso di questa caratteristica collegate un cavo DIN standard a 8-pin fra il connettore del comando del registratore a cassetta sulla parte posteriore dell'RA-985BX e il connettore sul retro della piastra di registrazione. I segnali di comando vengono raccolti dal sensore a distanza sulla parte anteriore dell'RA-985BX e inviati alla piastra di registrazione attraverso il cavo.

## Sistema di estensione del sensore del controllo a distanza 20

Questi connettori, utilizzati in combinazione con i rivelatori per segnali infrarossi e i ripetitori Xantech™ marca Video Link™ (venduti separatamente da installatori specializzati), consentono all'RA-985BX di raccogliere segnali del controllo a distanza a infrarossi e di distribuirli agli altri componenti. Contattate il vostro rivenditore autorizzato Rotel per maggiori informazioni.

*Video Link e Xantech sono marchi registrati della Xantech Corporation.*

## Uscite dei diffusori 21 e 22

L'RA-985BX è provvisto di due coppie di uscite per i diffusori contrassegnate con "A" e "B". Il Selettore per il Diffusore 5 sul pannello anteriore controlla quali coppie (a) di diffusori sia operativa.

### Selezione dei diffusori

Se solo una coppia di diffusori verrà utilizzata in un qualsiasi momento, i diffusori potrebbero avere una bassa impedenza fino a 4 ohm. Se entrambe le coppie di diffusori "A" e "B" sono attive contemporaneamente il diffusore dovrebbe avere un'impedenza fino a 8 ohm. I valori di impedenza dei diffusori non sono affatto precisi. In pratica, pochissimi diffusori rappresenteranno un problema per l'RA-985BX. Chiedete al vostro rivenditore autorizzato Rotel se avete dei quesiti.

## Scelta dei cavi

Utilizzate cavi a due conduttori isolati per collegare l'RA-985BX ai diffusori. Le dimensioni e la qualità dei cavi possono avere effetti udibili sulle performance del sistema. I cavi standard vanno bene ma possono dare un'uscita più bassa o una risposta limitata in gamma bassa, in particolare se sono molto lunghi. In generale cavi ben dimensionati miglioreranno la resa sonora. Per ottenere le migliori prestazioni, potete prendere in considerazione cavi speciali di alta qualità. Il vostro rivenditore Rotel vi potrà aiutare nella scelta.

## Polarità e fase

La polarità - l'orientamento positivo/negativo dei collegamenti - per il collegamento di ogni diffusore e amplificatore deve essere rispettata affinché tutti i diffusori siano in fase. Se la polarità di un collegamento è accidentalmente invertita, il basso sarà debole e l'immagine stereo scadente. Tutti i cavi sono segnati affinché si possano identificare i due conduttori. Vi possono essere scanalature o una striscia sull'isolante di un conduttore. Il cavo può avere un'isolante trasparente con conduttori di colori diversi (rame e argento). Indicazioni sulla polarità possono essere stampate sull'isolante. Identificare i conduttori positivo e negativo e che la polarità venga rispettata nei collegamenti tra l'amplificatore e i diffusori.

## Collegamento dei diffusori

L'RA-985BX ha due coppie di connettori colorati (rosso e nero) sul pannello posteriore. Questi connettori accettano cavi spellati, forcelle, o doppi connettori a banana (ad eccezione dei paesi della Comunità Europea dove non sono consentiti)

Portare il cavo dall'RA-985BX ai diffusori. Lasciatelo lento in modo da poter muovere i componenti abbastanza da consentire l'accesso ai connettori dei diffusori.

Se utilizzate i doppi connettori a banana, collegateli ai cavi ed inseriteli nella parte posteriore dei connettori dell'amplificatore. Gli anelli dei connettori dovrebbero essere avvitati in tutti i casi (in senso orario).

Se state utilizzando connettori a forcella, collegateli ai cavi. Se state collegando cavi spellati direttamente ai connettori, separate i conduttori dei cavi e strappate indietro l'isolante dall'estremità di ogni conduttore. Fate attenzione a non tagliare l'intreccio dei fili. Svitare (in senso antiorario) gli anelli dei connettori. Posizionate la forcella attorno al perno del connettore o inserite il filo avvolto nel foro del perno. Avvitare gli anelli in senso orario per serrare la forcella o il filo.

**NOTA:** Assicuratevi che non vi siano fili sparsi che potrebbero toccare i fili o i connettori adiacenti

## Comandi del pannello anteriore

### Controllo del volume 10

Il comando del volume aumenta o diminuisce il volume in entrambi i canali allo stesso tempo. Ruotate in senso orario per aumentare il volume e in senso antiorario per diminuirlo.

### Controllo del balance 11

Il controllo del Balance altera il livello di volume relativo dei due canali. Ruotate il comando Balance a destra per aumentare il volume del canale destro. Ruotatelo a sinistra per aumentare il volume del canale sinistro.

### Interruttore per l'esclusione dei toni (Tone Defeat) 9

Quando l'interruttore Tone Defeat è posto in posizione "On" i controlli di tono, bassi (Bass) e acuti (Treble), possono essere utilizzati per regolare il contenuto sonoro di bassi e di acuti. Quando l'interruttore Tone Defeat è posto in posizione "Off" i controlli di tono sono esclusi dal percorso del segnale. Se non state utilizzando i controlli di tono lasciate l'interruttore Tone Defeat in posizione "Off" per assicurarvi il suono più limpido.

### Controllo dei Bassi 7 e controllo degli Acuti 8

Quando l'interruttore Tone Defeat è posto in posizione "On" si aumenta il contenuto di bassi e di acuti ruotando il controllo di tono in senso orario. Ruotando il comando in senso antiorario si riduce l'emissione di bassi o di acuti.

### Interruttore di selezione dei diffusori 5

Quando l'interruttore di selezione dei diffusori è posto in posizione A, saranno attivi i diffusori collegati ai terminali del diffusore A 21. Quando l'interruttore è posto su B, si udiranno i diffusori collegati ai terminali del diffusore B 22. Quando l'interruttore è posto in A+B, funzioneranno i diffusori collegati a entrambe le coppie dei terminali. L'interruttore può essere posto in posizione "Off" quando si utilizza la cuffia. Vedere le indicazioni nella sezione sulla selezione dei diffusori per importanti informazioni sull'impedenza del diffusore.

### Selettore di ascolto 14

La regolazione del selettore di ascolto controlla la sorgente d'ingresso. La sorgente selezionata è anche quella che viene pilotata attraverso il ponticello del Preamp/amplificatore.

## Selettore di registrazione 12

Il selettore di registrazione controlla quale dei segnali d'ingresso è diretto alle uscite di registrazione. Quando non state registrando, il selettore di registrazione dovrebbe essere posto in posizione OFF per ridurre al minimo la possibilità di interferenza da parte di altre componenti nell'impianto.

Il fatto di avere un selettore di registrazione e di ascolto separato aggiunge un notevole grado di flessibilità al modo in cui l'RA-985BX può essere utilizzato. Per esempio, regolando il selettore di registrazione sul CD e il selettore di ascolto sul sintonizzatore potreste registrare un CD su un nastro mentre ascoltate il sintonizzatore.

Se desiderate duplicare ("dub") una registrazione da un registratore a un altro, l'unità di sorgente dovrebbe essere collegata all'ingresso Tape 1. Il selettore di registrazione deve essere posto in Tape 1. Collegate l'unità che registra il segnale all'uscita Tape 2.

**NOTA:** Quando viene utilizzata l'uscita della Second Zone dell'RA-985BX il selettore di registrazione diventa il selettore di sorgente per la seconda zona. Non è possibile registrare mentre è in uso la Seconda Zona.

## Uscita cuffia 6

L'uscita cuffia vi permette di collegare la cuffia per un ascolto individuale. Questa uscita accetta un jack per cuffia stereo standard. Se la vostra cuffia ha un altro tipo di spina, come un mini-jack da 1/8", avrete bisogno di un adattatore. Contattate il vostro rivenditore autorizzato Rotel per acquistare l'adattatore giusto. I diffusori continueranno a suonare se sono attivati dal selettore dei diffusori (posizione "ON"). Posizionate il selettore su "OFF" se necessario.

## Sensore a distanza 4

Il sensore a distanza capta i segnali a infrarossi dal comando a distanza. Non deve essere coperto, altrimenti il comando a distanza non funzionerà correttamente. La funzione del sensore a distanza può essere influenzata anche dall'esposizione alla luce, in particolare a quella brillante del sole. Inoltre, i comandi del controllo a distanza potrebbero non funzionare adeguatamente se le batterie dell'RR-927 sono scariche.

## Attivazione della Seconda Zona

(Vedere Figura 3 e la sezione per il collegamento di uscita della Seconda Zona.)

**NOTA:** Tutte le funzioni della Second Zone vengono controllate dal comando a distanza RR-927. Vedere la sezione "Remote Control Function" per maggiori informazioni.

## Pulsante Rec/Zone 28 e spia di zone 13

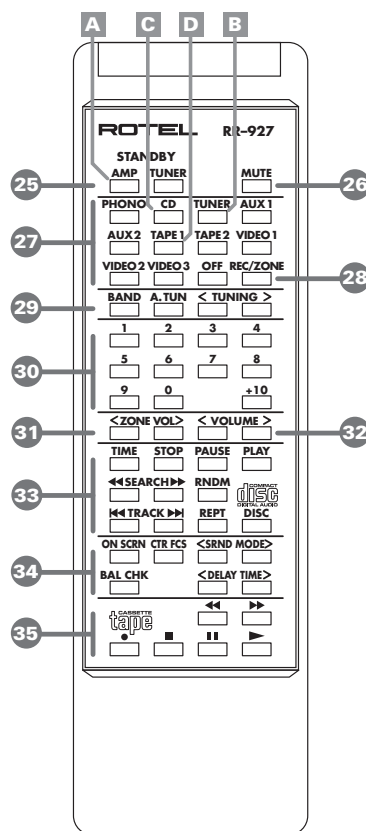
Per attivare la funzione Second Zone premete il pulsante Rec/Zone. La spia di Second Zone si illuminerà. Il selettore di registrazione funzionerà poi come selettore di sorgente Second Zone. Premete nuovamente il pulsante Rec/Zone per riportare il selettore di registrazione alla sua funzione normale. La spia della Second Zone si disattiverà.

## Pulsanti del selettore di sorgente 27

Quando la funzione Second Zone è attiva i pulsanti del selettore di sorgente selezionano la sorgente per la seconda zona.

## Pulsanti del volume di Zona 31

I pulsanti contrassegnati <Zone Vol> controllano il volume della Seconda Zona. Premete il pulsante a sinistra per abbassare il volume e il pulsante a destra per alzarlo.



I pulsanti **A**, **B**, **C**, e **D** vengono utilizzati per programmare il comando a distanza. Vedere la sezione successiva.



## Comando a distanza RR-927

Oltre alle funzioni della Seconda Zona il comando a distanza RR-927 duplica la maggior parte delle funzioni dei comandi del pannello anteriore dell'RA-985BX. Può anche pilotare tutti i componenti comandabili a distanza dell'attuale serie 900. A seconda dei componenti che possedete potrebbe essere necessario riprogrammare l'RR-927 con un nuovo codice usando la procedura descritta alla sezione "Riprogrammazione". L'RR-927 all'inizio è programmato per controllare i seguenti componenti:

- Amplificatore (codice A2) - RA-985BX, RA-945, RC-995
- Sintonizzatore (codice B1) - RTC-940AX, RX-950AX, RT-940AX
- Letto CD (codice C1) - RCD-970BX, RCD-975
- Piastra di registrazione (codice D1) - RD-960BX

### Riprogrammazione

Per riprogrammare l'RR-927 per controllare un componente diverso da quelli precedentemente elencati, premete contemporaneamente il pulsante lettera e numero per quel componente. Vedere la tavola più sotto per la combinazione lettera e numero per i vari componenti.

Codici Amplificatore e Preamplificatore: ("A" è pulsante "Amp/Standby")

- A1 - RTC-940AX, RTC-950AX, RX-950AX
- A2 - RA-985BX, RA-945, RC-972, RC-995
- A4 - RC-990BX

Codici sintonizzatori: ("B" è pulsante "Tuner")

- B1 - RTC-940BX, RTC-950AX, RX-950AX, RT-940AX
- B4 - RT-990BX

Codici lettori CD: ("C" è pulsante "CD")

- C1 - RCD-970BX, RCD-975, RCD-945AX / 955AX / 965BX
- C2 - RCC-935, RCD-940BX, RCC-940AX
- C3 - RCC-955, RCD-930AX, RCD-951, RCD971

Piastre di registrazione: ("D" è pulsante "Tape 1")

- D1 - RD960BX

Esempi: Per riprogrammare l'RR-927 per il controllo dell'RT-990BX, premete simultaneamente il pulsante Tuner **B** e il pulsante 4.

Per riprogrammare l'RR-927 per comandare il lettore CD RCD-930AX premete simultaneamente il pulsante CD **C** e il pulsante 3.

## Altre funzioni del comando a distanza

Le informazioni che seguono presuppongono che le funzioni di controllo dell'amplificatore dell'RR-927 vengano utilizzate per attivare l'RA-985BX. Le funzioni di controllo degli altri componenti varieranno.

### Pulsanti di accensione standby 25

Premete questi pulsanti per attivare l'RA-985BX. Premeteli nuovamente per riportare i componenti in modalità standby.

### Pulsante mute 26

Premete il pulsante Mute per porre in MUTE l'uscita dell'RA-985BX. Premetelo nuovamente per ripristinare l'uscita sonora normale. La spia di controllo del volume lampeggia quando si attiva la modalità MUTE.

### Pulsanti di controllo del sintonizzatore 29

Questi pulsanti duplicano le funzioni dei comandi sui pannelli anteriori dei vari sintonizzatori Rotel. Vedere il manuale di istruzioni del vostro sintonizzatore per maggiori informazioni.

### Pulsanti numerici direct access 30

Questi pulsanti vengono utilizzati sia con il sintonizzatore sia con i lettori CD. Con i sintonizzatori i pulsanti vengono utilizzati per selezionare le stazioni preselezionate. Con i lettori CD i pulsanti vengono utilizzati per selezionare i numeri di traccia.

Per scegliere una stazione preselezionata del sintonizzatore premete il pulsante Tuner e poi il numero della stazione preselezionata. Il procedimento per selezionare le stazioni preselezionate con numero più alto varia a seconda del modello in uso. Per l'RT-940BX e l'RT-990BX premete il pulsante +10 e poi premete il numero rimanente della preselezione che volete scegliere. Per esempio: Per selezionare la 14, premete +10 e poi 4. Con l'RX-950AX, l'RTC-950AX e l'RTC-940AX non si usa il tasto +10. Con questi componenti il pulsante 9 funziona come un pulsante "+8". Per esempio: Per accedere alla 16 premete 9 ("8") e poi 8. Per avere accesso alla stazione 9 premete 9 e poi 1.

Per selezionare una traccia su un CD, premete il pulsante CD e poi il numero di traccia che desiderate ascoltare. Il procedimento per selezionare numeri di traccia più alti varia a seconda del modello in uso. Per l'RCD-930AX, premete il pulsante +10 e poi il pulsante che richiama il numero rimanente di traccia che desiderate selezionare. Per esempio: per selezionare la traccia 15, premete +10 e poi 5. Con l'RCD-970BX, l'RCD-975 e l'RCD-940BX premete i pulsanti che formano il numero di traccia che desiderate selezionare. Per esempio: per selezionare la traccia 17 premete 1 e poi 7.

### Pulsanti di controllo del volume 32

Questi pulsanti duplicano le funzioni di controllo del volume sul pannello anteriore dell'RA-985BX. Premete il pulsante destro (>) per aumentare il volume, premete il pulsante sinistro (<) per ridurlo.

## Pulsanti di controllo della piastra di registrazione 35

Questi pulsanti duplicano le funzioni dei pulsanti contrassegnati in modo simile sulle piastre di registrazione Rotel. Vedere il manuale di istruzioni per la vostra piastra di registrazione per maggiori informazioni.

## Pulsanti del processore surround 34

Questi pulsanti duplicano la funzione di molti comandi dei processori surround Rotel. Vedere il manuale di istruzioni del vostro processore per maggiori informazioni.

## Pulsanti di controllo del lettore CD 33

Questi pulsanti duplicano molte funzioni di controllo dei lettori CD Rotel. Vedere il manuale di istruzioni per il vostro lettore CD per maggiori informazioni.

## Circuito di protezione 3

L'RA-985BX è dotato di un circuito di protezione termico che protegge l'amplificatore da eventuali danni derivanti da condizioni operative estreme. Il circuito di protezione è indipendente dal segnale audio e non ha nessuna influenza sulle performance sonore. Invece, il circuito di protezione controlla la temperatura dei finali e spegne l'amplificatore se la temperatura supera i limiti di sicurezza.

Molto probabilmente, non vedrete mai questo circuito di protezione in azione. Tuttavia se si dovessero verificare le condizioni, l'amplificatore fermerà la riproduzione e l'indicatore LED sul pannello anteriore si accenderà.

Se questo accade, spegnete l'amplificatore, lasciatelo raffreddare per alcuni minuti, cercate di identificare e risolvere il problema che ha causato l'intervento del circuito.

Quando accenderete l'amplificatore, il circuito di protezione si azzererà automaticamente e l'indicatore LED si spegnerà.

Nella maggior parte dei casi il circuito si attiva a causa di condizioni critiche come il corto circuito dei cavi dei diffusori o scarsa ventilazione che portano a situazioni di surriscaldamento. In casi molto rari carichi di diffusori ad impedenza molto bassa o molto reattivi provocano l'intervento del circuito.

Se il circuito di protezione si attiva ripetutamente e non siete in grado di isolare e risolvere il problema, contattate il vostro rivenditore Rotel per l'assistenza nella ricerca del guasto.

## Ricerca dei guasti

Nei sistemi audio molti problemi derivano da collegamenti errati o inadeguate regolazioni dei controlli. Se vi si pone un problema, isolate l'area critica, verificate le regolazioni dei controlli, determinate la causa del problema e operate i necessari cambiamenti. Se non siete in grado di far funzionare l'RA-985BX fate riferimento ai suggerimenti per le condizioni che seguono:

### La spia di standby non si illumina

La spia di standby dovrebbe essere accesa ogni volta che l'RA-985BX è collegato alla presa di alimentazione nel muro. Se non si accende controllate la presa di alimentazione con un altro apparecchio elettrico, come una lampada. Assicuratevi che la presa di alimentazione in uso non sia controllata da un interruttore che è stato disattivato.

### Sostituzione del fusibile

Se un altro apparecchio elettrico funziona una volta collegato alla presa di alimentazione, e la spia di accensione continua a non illuminarsi, significa che potrebbe essersi bruciato il fusibile di alimentazione interno. Se ritenete che ciò sia successo, contattate il vostro rivenditore Rotel per la sostituzione del fusibile.

### Nessun suono

Controllate la sorgente di segnale se sta funzionando correttamente. Assicuratevi che i cavi dalla sorgente di segnale agli ingressi dell'RA 985BX siano collegati correttamente. Controllate che il selettore d'ascolto sia posizionato sull'ingresso corretto. Controllate il funzionamento del finale di potenza. Controllate tutti i cablaggi tra l'RA-985BX e i diffusori.

### L'indicatore di protezione e' acceso

L'indicatore sul pannello anteriore si accende quando il circuito di protezione dell'RA-985BX ha disattivato l'amplificatore. Generalmente questo accade solo quando le aperture di ventilazione sono ostruite, quando c'è un cablaggio difettoso del diffusore, o dopo un periodo di utilizzo intenso. Spegnete l'impianto e aspettate che l'amplificatore si raffreddi. Premete dentro e fuori l'interruttore di accensione sul pannello anteriore per resettare i dispositivi di protezione. Se il problema non si risolve o si ripresenta, c'è un difetto nel sistema o nello stesso amplificatore.



**ADVERTENCIA:**

No hay componentes manipulables por el usuario en el interior del aparato. Cualquier operación de mantenimiento debe ser llevada a cabo por personal cualificado.

**ADVERTENCIA:**

Para reducir el riesgo de que se produzca un incendio o una descarga eléctrica, no exponga el aparato al agua o la humedad ni permita que ningún objeto extraño penetre en su interior. Si el aparato está expuesto a la humedad o algún objeto extraño penetra en su interior, desconecte inmediatamente el cable de alimentación de la red eléctrica. En caso de que fuera necesario, envíe el aparato a un especialista cualificado para su inspección y posterior reparación.

Lea todas las instrucciones del presente manual antes de conectar o hacer funcionar el aparato. Conserve este manual cerca de usted para el caso de que necesite revisar las instrucciones de seguridad que se indican a continuación.

Tenga siempre en mente las advertencias y la información relativa a seguridad que figuran tanto en estas instrucciones como en el propio aparato. Siga al pie de letra todas las instrucciones relacionadas con el funcionamiento del mismo.

Limpie el exterior del aparato únicamente con una gamuza seca o un aspirador.

Debe dejar un mínimo de 10 centímetros de espacio libre alrededor del aparato. No coloque nunca el RA-985BX en una cama, un sofá, una alfombra o una superficie similar susceptible de bloquear las ranuras de ventilación. Si el aparato está ubicado en la estantería de una librería o un mueble, debe haber suficiente espacio a su alrededor y ventilación en el mueble para permitir una refrigeración adecuada.

Mantenga al aparato alejado de radiadores, estufas, cocinas o de cualquier otra instalación que produzca calor.

**El aparato debe ser conectado únicamente a una fuente de alimentación del tipo y la tensión especificados en su panel posterior.**

Conecte el aparato a una toma de corriente eléctrica únicamente a través del cable de alimentación de dos clavijas polarizado suministrado de serie o un equivalente exacto del mismo. No modifique de ningún modo dicho cable. No intente desactivar los terminales destinados a la conexión a tierra o polarización. El cable debería ser conectado a una toma de corriente eléctrica de dos terminales que se adapten perfectamente a las clavijas del cable de alimentación del aparato. No utilice ningún tipo de cable de extensión.

No coloque el cable de alimentación en lugares en que pueda ser aplastado, pinchado, doblado en ángulos críticos, expuesto al calor o dañado de algún modo. Preste particular atención al punto de unión entre el cable y la toma de corriente y también a la ubicación de esta última en el panel posterior del aparato.

El cable de alimentación debería desconectarse de la red eléctrica cuando el aparato no vaya a ser utilizado durante un largo período de tiempo (por ejemplo las vacaciones de verano).

Desconecte inmediatamente el aparato y envíelo a un servicio técnico cualificado para su inspección/reparación si:

- El cable de alimentación o alguna clavija del mismo ha sido dañado.
- Han caído objetos o se ha derramado líquido en el interior del aparato.
- El aparato ha sido expuesto a la lluvia.
- El aparato muestra signos de funcionamiento inadecuado.
- El aparato ha sido golpeado o dañado de algún modo.

Coloque el aparato sobre una superficie fija y equilibrada que sea suficientemente resistente para soportar su peso. No coloque nunca el aparato en una carretilla móvil de la que pudiese volcar.



## Contenido (los números encerrados en un círculo hacen referencia a una ilustración)

<b>Acerca de Rotel</b>	<b>38</b>
<b>Para Empezar</b>	<b>38</b>
Algunas Precauciones	38
Colocación	38
Cables	39
<b>Alimentación y Control</b>	<b>39</b>
Toma de Corriente Eléctrica 24	39
Conmutador 1 e Indicador Luminoso 2 de Puesta en Marcha	39
Tomas de Alimentación Auxiliares 23	39
<b>Conexiones de la Señal Entrada 15</b>	<b>39</b>
<b>Conexiones para Grabación 16</b>	<b>40</b>
<b>Conexiones de Salida para la Segunda Zona 17</b>	<b>40</b>
<b>Puentes de Conexión entre las Secciones de Preamplificación y Amplificación de Potencia 18</b>	<b>40</b>
<b>Conector para el Control a Distancia de una Platina a Casetes 19</b>	<b>40</b>
<b>Toma de Ampliación del Control Remoto del Sistema 20</b>	<b>40</b>
<b>Terminales de Conexión a las Cajas Acústicas 21 y 22</b>	<b>40</b>
Selección de las Cajas Acústicas	40
Selección del Cable de Conexión	41
Polaridad y Puesta en Fase	41
Conexión de las Cajas Acústicas	41
<b>Controles del Panel Frontal</b>	<b>41</b>
Control de Volumen 10	41
Control de Balance 11	41
Conmutador de Activación/Desactivación de los Controles de Tono 9	41
Controles de Graves 7 y Agudos 8	41
Conmutador de Selección de las Cajas Acústicas 5	41
Selector de la Fuente que se está Escuchando ("Listening") 14	41
Selector de la Fuente en la que se está Grabando 12	42
Salida de Auriculares 6	42
Sensor de Control Remoto 4	42
<b>Control de la Segunda Zona</b>	<b>42</b>
Botón Rec/Zone 28 e Indicador Luminoso de Zona 13	42
Botones de Selección de Fuente 27	42
Botones de Control de Volumen de Zona 31	42
<b>Mando a Distancia RR-927</b>	<b>43</b>
Reprogramación	43
<b>Otras Funciones del Mando a Distancia</b>	<b>43</b>
Botones de Puesta en Marcha/Posición de Espera 25	43
Botón de Silenciamiento 26	43
Botones de Control del Sintonizador 29	43
Botones Numéricos de Acceso Directo 30	43
Botones de Control de Volumen 32	43
Botones de Control del Grabador de Casetes 35	43
Botones de Control del Procesador de Sonido Envoltente 34	44
Botones de Control del Reproductor de Discos Compactos 33	44
<b>Circuitería de Protección 3</b>	<b>44</b>
<b>Problemas y Posibles Soluciones</b>	<b>44</b>
El Indicador Luminoso de Puesta en Marcha/Posición de Espera No Se Activa	44
Sustitución del Fusible	44
No Hay Sonido	44
Activación del Indicador Luminoso de Protección	44
<b>Características Técnicas</b>	<b>53</b>

## Acerca de Rotel

Rotel fue fundada hace 30 años por una familia cuyo entusiasta interés por la música le condujo a diseñar y construir componentes de Alta Fidelidad sin ningún tipo de compromiso. Esta pasión ha permanecido inalterada durante todo este tiempo, hasta el punto de que el objetivo de los fundadores de la compañía -proporcionar productos de la máxima calidad a melómanos y audiófilos independientemente de cuales sean sus posibilidades económicas- es compartido por todos sus empleados.

Los ingenieros de Rotel trabajan como un equipo compacto, escuchando y llevando a cabo el ajuste fino de cada nuevo producto hasta que satisface de manera exacta los estándares de calidad musical para los que fue diseñado. Para lograrlo, disponen de la máxima libertad para escoger los mejores componentes allí donde se encuentren. Le sorprenderá agradablemente encontrar exquisitos condensadores procedentes del Reino Unido y Alemania o semiconductores de Japón o Estados Unidos, mientras que los transformadores toroidales de potencia son construidos en la propia factoría de Rotel.

Rotel se ha ganado a pulso, a través de a cientos de artículos, bancos de pruebas y galardones firmados por los críticos especializados más respetados del mundo, una sólida reputación por la excelencia de sus productos. Los comentarios de estos profesionales que escuchan música cada día hacen posible que la compañía se reafirme en la validez de sus objetivos: la puesta a punto de componentes y equipos musicales, fiables y asequibles.

Le agradecemos que haya adquirido este producto y esperamos que le permita disfrutar de su música predilecta durante largos años.

## Para Empezar

Gracias por adquirir el Amplificador Integrado Estereofónico Rotel RA-985BX. Utilizado en un sistema de reproducción musical de alta calidad, le permitirá disfrutar durante muchos años de sus composiciones musicales favoritas.

El RA-985BX es un componente de audio de altas prestaciones extremadamente completo. Todos los aspectos de su diseño han sido optimizados para preservar toda la dinámica y todas las sutilezas de su música predilecta. El RA-985BX incorpora una fuente de alimentación altamente regulada que incluye un transformador de alimentación toroidal y condensadores de láminas finas diseñados y construidos a medida siguiendo especificaciones de Rotel. Esta fuente de alimentación de baja impedancia posee una generosa reserva de energía que permite al RA-985BX reproducir fácilmente las más exigentes señales de audio. Un diseño de este tipo resulta más caro de fabricar pero es mejor para la música.

Las placas de circuito impreso (PCB) han sido diseñadas con Pistas Circuitalas Simétricas a fin de asegurar el perfecto mantenimiento de las relaciones temporales de la música y la más fiel reproducción de las mismas. La circuitería del RA-985BX utiliza resistencias de película metálica y condensadores de poliestireno o polipropileno en los puntos más críticos del recorrido de la señal de audio. Todos los aspectos de este diseño han sido examinados al milímetro con el objetivo último de conseguir una fiel reproducción de la música.

Además, el RA-985BX incluye varias funciones que realzan su versatilidad operativa y la flexibilidad que proporciona a la configuración de sistemas de audio. El aparato se suministra de serie con un completo mando a distancia que puede manejar, además del RA-985BX, varios sintonizadores y platinas a cassetes de Rotel. También incorpora una toma de entrada/salida de señal de rayos infrarrojos para el control de cualquier sistema hecho a medida. Así, esta función permite, cuando es utilizada junto con captadores y repetidores de rayos infrarrojos de marcas como Xantech o Video Link (que son vendidos separadamente por instaladores de sistemas personalizados), al RA-985BX captar señales de control por rayos infrarrojos y distribuir las a otros componentes. Se suministran igualmente un par de puentes para separar las secciones de preamplificación y amplificación de potencia del aparato, facilitando de este modo la conexión al mismo de componentes externos, como por ejemplo procesadores de sonido envolvente. El exclusivo sistema de salida de Segunda Zona permite (cuando es utilizado con un amplificador de potencia y cajas acústicas adicionales) al RA-985BX sonorizar otra parte de su casa. Usted puede incluso escuchar una fuente diferente de la que esté activada en el sistema principal.

Las funciones principales del RA-985BX son fáciles de instalar y utilizar. Si usted ya está experimentado en el manejo de componentes de audio estereofónicos, en principio no debería encontrar nada que le resultara especialmente complicado durante la puesta a punto inicial del mismo. Basta con que conecte el resto de componentes de su equipo y disfrute con su música preferida.

## Algunas Precauciones

Le rogamos que lea cuidadosamente el presente manual de instrucciones. Además de las instrucciones básicas de instalación y puesta a punto del RA-985BX, incluye información de gran valor sobre las diferentes configuraciones que permite el aparato, así como información general que le ayudará a optimizar las prestaciones de su sistema. Le rogamos asimismo que contacte con su distribuidor autorizado de productos Rotel para cualquier duda o consulta. No le quepa la menor duda de que todos sus comentarios y observaciones serán bien recibidos.

Guarde el embalaje del RA-985BX y todo el material en él contenido para un posible uso futuro del mismo. El embalaje o transporte del RA-985BX en condiciones diferentes de las originales puede dañar seriamente el aparato.

Rellene y envíe la tarjeta de garantía suministrada junto con el RA-985BX. Asegúrese asimismo de mantener en su poder la factura de compra puesto que es la mejor manera de que usted se acuerde de la fecha de compra, un dato esencial en caso de que necesitara asistencia técnica durante el periodo de garantía.

## Colocación

Al igual que todos los componentes de audio que manejan señales de bajo nivel, el RA-985BX puede verse afectado por su entorno. No coloque el RA-985BX encima de una etapa de potencia; de este modo minimizará la posibilidad de que se produzcan zumbidos o interferencias electromagnéticas.

El RA-985BX genera calor durante su funcionamiento normal. Tanto los disipadores térmicos como las ranuras de ventilación de su cubierta superior han sido diseñados para evacuar este calor. Las ranuras de ventilación de la cubierta superior deben permanecer siempre despejadas. Debería haber unos 10 centímetros de espacio libre alrededor del chasis y una razonable corriente de aire a lo largo del lugar en que haya sido instalado el amplificador para evitar el sobrecalentamiento de este último.

Tenga igualmente en cuenta el peso del amplificador cuando seleccione una ubicación determinada para su instalación. Asegúrese por tanto de que la estantería o mueble utilizado pueda soportar el considerable volumen del RA-985BX. Le recomendamos que instale el RA-985BX en muebles diseñados específicamente para albergar componentes de audio. Dichos muebles están concebidos para reducir o suprimir vibraciones que pueden afectar negativamente a la calidad del sonido. Consulte a su distribuidor autorizado de productos Rotel para que le aconseje acerca de los muebles más adecuados para su equipo y sobre la adecuada instalación en los mismos de sus componentes de audio.

## Cables

Asegúrese de mantener alejados entre sí los cables de alimentación, digitales y de modulación de su equipo. De este modo se minimizarán las posibilidades de que la señal de audio se vea afectada por ruido o interferencias procedentes de los cables digitales o de alimentación. El uso exclusivo de cables apantallados de alta calidad también contribuirá a prevenir la entrada de ruido o interferencias susceptibles de degradar la calidad sonora de su equipo. Si tiene alguna pregunta que realizar al respecto, le recomendamos que visite a su distribuidor autorizado de productos Rotel para que le aconseje los cables más adecuados para su sistema.

# Alimentación y Control

## Toma de Corriente Eléctrica 24

Debido a su elevada potencia de salida, el RA-985BX puede drenar una considerable cantidad de corriente hasta el punto de penalizar la instalación eléctrica de su hogar. Además, debería ser conectado directamente a una toma de corriente polarizada de 2 clavijas. No utilice ningún tipo de cable de extensión. Puede utilizarse una base de enchufes de alta calidad siempre y cuando esté (y también, por supuesto, la toma de corriente ubicada en la pared de su casa) preparada para manejar la corriente exigida por el RA-985BX.

**Nota:** No conecte el cable de alimentación de una etapa de potencia a las tomas de corriente auxiliares del RA-985BX. Por lo general, los amplificadores de potencia consumen más potencia de la que dichas tomas son capaces de suministrar.

Su RA-985BX está configurado en fábrica para que trabaje con la tensión de red correcta que corresponda al país en que haya sido comprado (115 ó 230 voltios de corriente alterna con una frecuencia de 50 ó 60 Hz). Dicha configuración está indicada en un lugar visible del panel posterior del aparato.

**Nota:** En caso de que tuviese que desplazar su RA-985BX a otro país, es posible reconfigurarlo para que pueda trabajar con tensiones de red diferentes de la establecida en fábrica. No intente llevar a cabo esta conversión por su cuenta. El acceso al interior del RA-985BX le expone a tensiones peligrosas. Para cualquier información al respecto, le rogamos que contacte con personal cualificado o llame al departamento de asistencia técnica postventa de Rotel.

Si va a estar fuera de su casa durante un largo período de tiempo -por ejemplo las vacaciones de verano-, le recomendamos, como precaución básica, que desconecte su amplificador (así como el resto de componentes de audio y vídeo de su equipo) de la red eléctrica.

## Conmutador 1 e Indicador Luminoso 2 de Puesta en Marcha

El Indicador Luminoso de Puesta en Marcha situado encima del botón Standby ("Posición de Espera") estará activado siempre que el RA-985BX esté conectado a una toma de corriente eléctrica. Cuando se pulsa el botón de Puesta en Marcha/Posición de Espera, el RA-985BX se activa y el indicador luminoso del Control de Volumen se ilumina. Pulsando de nuevo el conmutador Standby, el RA-985BX se situará en la posición de espera y el indicador luminoso del Control de Volumen se desactivará.

## Tomas de Alimentación Auxiliares 23

La versión del RA-985BX para el mercado estadounidense incluye dos tomas de corriente conmutadas en su panel posterior. Puede disponerse de una señal de alimentación alterna en las mismas cuando el aparato está activado. Dicha señal no está disponible cuando el RA-985BX está en el modo Standby. Estas tomas pueden suministrar una potencia total de 400 vatios y resultan adecuadas para alimentar cualquier fuente de sonido, como por ejemplo lectores de discos compactos o DVD, sintonizadores o platinas a cassetes, no debiendo ser utilizadas para alimentar amplificadores de ningún tipo. La conexión de componentes capaces de absorber más de 400 vatios de estas tomas podrían dañar el conmutador Standby del RA-985BX.

## Conexiones de la Señal de Entrada 15

**(Vea la Figura 1 para la realización de las conexiones pertinentes)**

El RA-985BX incorpora conectores de entrada RCA convencionales, es decir idénticos a los que pueden encontrarse en la práctica totalidad de componentes de audio existentes en el mercado.

**Nota:** Para evitar la presencia de ruidos susceptibles de ser apreciados tanto por usted como por sus cajas acústicas, asegúrese de que el sistema esté desconectado cuando esté realizando cualquier tipo de conexión de señal.

Todas las entradas del RA-985BX son de "nivel de línea" y resultan apropiadas para la conexión de componentes tales como reproductores de discos compactos, grabadores de videocasetes estereofónicos Hi-Fi o NICAM, reproductores de LaserDisc y DVD o incluso para procesar la señal de salida procedente de una mecánica CD-ROM. En caso de que desee conectar un giradiscos al RA-985BX, debería utilizar un ecualizador de fono externo (como por ejemplo el RQ-970BX de Rotel).

Los canales Izquierdo ("Left") y Derecho ("Right") están claramente identificados y deberían ser conectados a los correspondientes terminales de las fuentes utilizadas. Los conectores RCA correspondientes al canal Izquierdo son de color blanco, mientras que los del canal Derecho son de color rojo. Utilice cables de alta calidad equipados con conectores RCA para la conexión de cualquier fuente al RA-985BX. Consulte a su distribuidor autorizado de productos Rotel para que le aconseje sobre los cables a utilizar.

## Conexiones para Grabación 16

(Vea la Figura 2 para la realización de las conexiones pertinentes)

Las entradas y salidas Tape 1 y Tape 2 pueden ser conectadas a cualquier componente de grabación/reproducción que acepte señales de entrada y salida analógicas estándar de nivel de línea, que por lo general suele ser una platina a cassetes.

Cuando conecte un componente de grabación al RA-985BX, recuerde que las salidas del grabador deben conectarse a las entradas tape del RA-985BX. De modo similar, las salidas tape del RB-985BX deben ser conectadas a las entradas del grabador. Al igual que sucede con otras fuentes, asegúrese de conectar los canales Izquierdo y Derecho correspondientes a cada componente a los canales adecuados de los componentes asociados. Utilice cables de interconexión de alta calidad para evitar pérdidas en la calidad de sonido.

**Nota:** Por lo general, la señal enviada a las Salidas de Grabación es seleccionada por el Selector de Grabación 12. Sin embargo, cuando se utiliza la función de salida de señal a la Segunda Zona, el Selector de Grabación se convierte en selector de fuente para dicha zona.

## Conexiones de Salida para la Segunda Zona 17

(Vea la Figura 3 para la realización de las conexiones pertinentes)

Esta salida permite (cuando es utilizada junto con un amplificador de potencia y dos cajas acústicas adicionales) al RA-985BX sonorizar otra parte de su casa. Además, usted podrá escuchar tanto la misma fuente que se esté reproduciendo en el sistema principal como otra distinta. Para más detalles, diríjase a la sección en que se trata el Funcionamiento de la Segunda Zona.

## Puentes de Conexión entre las Secciones de Preamplificación y Amplificación de Potencia 18

Estos conectores, designados por "Pre Out" y "Main In", están normalmente conectados entre sí mediante dos puentes de metal sólido y proporcionan un punto de inserción para prácticamente cualquier procesador de señal. Para utilizarlos, quite en primer lugar los puentes. Utilizando cables de alta calidad, conecte los conectores "Pre Out" a las entradas del procesador de señal y las salidas de éste a los conectores "Main In".

Uno de los usos más comunes de estos conectores es la incorporación de un procesador de sonido envolvente al sistema. Por lo general, las salidas del procesador de señal correspondientes a los canales frontales se conectan a las entradas "Main In" del RA-985BX, mientras que las demás salidas de aquél se conectan a otros amplificadores de potencia y cajas acústicas.

## Conector para el Control a Distancia de una Platina a Casetes 19

Algunas platinas a cassetes de Rotel pueden ser gobernadas por el mando a distancia RR-927 que se suministra de serie con el RA-985BX. Para utilizar esta función, conecte un cable estándar DIN de 8 patillas entre el conector Cassette Remote del panel posterior del RA-985BX y el conector de control situado en la parte posterior de la platina a cassetes. Las señales de control procedentes del RR-927 serán captadas por el Sensor de Rayos Infrarrojos del panel frontal del RA-985BX y enviadas a la platina a cassetes a través del citado cable.

## Toma de Ampliación del Control Remoto del Sistema 20

Estos conectores permiten, cuando son utilizados junto con captadores y repetidores de rayos infrarrojos de marcas como Xantech o Video Link (que son vendidos separadamente por instaladores de sistemas personalizados), al RA-985BX captar señales de control por rayos infrarrojos y distribuir las a otros componentes. Para más detalles, contacte con su distribuidor autorizado de productos Rotel.

Video Link y Xantech son Marcas Registradas de Xantech Corporation.

## Terminales de Conexión a las Cajas Acústicas 21 y 22

El RA-985BX posee dos pares de terminales de conexión a cajas acústicas designados por "A" y "B". El selector de Cajas Acústicas 5 situado en el panel frontal controla cual de las dos parejas de cajas acústicas está funcionando.

### Selección de las Cajas Acústicas

Si sólo se utiliza una de las dos parejas de cajas acústicas, cada una de estas últimas debería tener una impedancia de 4 ohmios. Por el contrario, si se van a utilizar simultáneamente las dos parejas de cajas acústicas, cada una de estas últimas debería tener una impedancia de 8 ohmios o más. Por lo general, la impedancia de las cajas acústicas es un parámetro bastante poco preciso, de modo que en la práctica muy pocas cajas acústicas presentarán problemas al RA-985BX. Para cualquier duda o cuestión que tenga al respecto, consulte con su distribuidor autorizado de productos Rotel.



## Selección del Cable de Conexión a las Cajas Acústicas

Utilice un cable de dos conductores perfectamente aislado para conectar el RA-985BX a las cajas acústicas. El tamaño y la calidad de dicho cable pueden tener un efecto audible sobre las prestaciones de la totalidad de su equipo. Un cable de conexión de calidad estándar funcionará pero es posible que provoque una disminución de la potencia de salida o una atenuación de la respuesta en graves, en particular si la longitud del mismo es elevada. En general, un cable más pesado mejorará el sonido. Para conseguir unas prestaciones óptimas, debería considerar la compra de cables de alta calidad especialmente diseñados para aplicaciones de audio. Su distribuidor autorizado de productos Rotel puede ayudarle a seleccionar los cables que vaya a utilizar en su sistema.

## Polaridad y Puesta en Fase

La polaridad, es decir la orientación positiva/negativa de las conexiones correspondientes a cada caja acústica y a la unión con el amplificador, debe ser coherente, de modo que todas las cajas acústicas del sistema estén en fase. Si la polaridad de una conexión es invertida por error, se producirá una fuerte caída de la respuesta en graves, así como una degradación perceptible de la imagen estereofónica global. Todos los cables están marcados de manera que usted pueda identificar fácilmente los dos conductores. Puede haber marcas o líneas impresas en el revestimiento aislante de un conductor. El cable también puede presentar un claro aislamiento al incorporar conductores de distintos colores (cobre y plata). También puede haber indicaciones de polaridad impresas en el revestimiento aislante. Identifique los conductores positivos y negativos y sea coherente con cada una de las conexiones del amplificador y las cajas acústicas.

## Conexión de las Cajas Acústicas

El RA-985BX tiene dos pares de terminales de conexión debidamente codificados (por colores) en su panel posterior. Estos conectores aceptan cable pelado, conectores de tipo horquilla o conectores de tipo banana doble (excepto en los países de la Comunidad Europea, donde su uso no está permitido).

Lleve el cable desde el RA-985BX hasta las cajas acústicas. Procure que el mismo posea la suficiente longitud para que pueda accederse sin ninguna restricción a los terminales de conexión de aquéllas.

Si usted está utilizando conectores dobles de tipo banana, únalos primero a los cables y a continuación insértelos en la zona posterior de los terminales de conexión. En cualquier caso, las tuercas de fijación de dichos terminales deberían bloquearse girándolas en sentido horario.

Si está utilizando terminales de tipo horquilla, conéctelos en primer lugar a los cables. Si está colocando directamente cable pelado a los terminales de conexión a las cajas acústicas, separe los cables correspondientes a cada conductor y quite la parte superior del revestimiento aislante. Asegúrese asimismo de no cortar ninguno de los conductores propiamente dichos. Libere (girándolas en sentido contrario de las agujas del reloj) las tuercas de fijación hexagonales y a continuación coloque los conectores alrededor de los terminales de conexión a las cajas acústicas o el cable pelado en el orificio transversal que hay en los mismos. Gire en sentido horario las tuercas de fijación hexagonales para sujetar firmemente en su lugar el conector o el cable de conexión.

**Nota:** Asegúrese de que no haya restos de cable susceptibles de tocar los cables o conductores adyacentes.

## Controles del Panel Frontal

### Control de Volumen 10

El Control de Volumen aumenta o reduce simultáneamente el nivel de volumen correspondiente a los dos canales. Gírelo en sentido horario para aumentar el nivel de volumen y en sentido antihorario para reducirlo.

### Control de Balance 11

El Control de Balance altera el nivel de volumen relativo de los dos canales. Gírelo hacia la derecha para hacer que la caja acústica de la derecha suene más alto y hacia la izquierda para lograr lo mismo con la caja acústica de la izquierda.

### Conmutador de Activación/Desactivación de los Controles de Tono 9

Cuando el conmutador Tone Defeat está situado en la posición "On", los controles de Graves y Agudos pueden ser utilizados para ajustar el nivel de agudos y graves de la señal musical. Por el contrario, cuando dicho conmutador está en "Off", los controles de tono son eliminados del camino recorrido por la señal musical. Si no va a utilizar los controles de tono, deje el conmutador Tone Defeat en su posición "Off" para asegurar el sonido más puro posible.

### Controles de Graves 7 y Agudos 8

Cuando el conmutador Tone Defeat está situado en la posición "On", la rotación en sentido horario de los controles de tono aumenta el nivel de graves y/o agudos mientras que la rotación en sentido horario de dichos controles disminuye el nivel de graves y/o agudos.

### Conmutador de Selección de las Cajas Acústicas 5

Cuando el Selector de Cajas Acústicas esté situado en la posición A, se oirán las cajas acústicas conectadas en los terminales Speaker A 21. Cuando el citado selector esté situado en la posición B, se oirán las cajas acústicas conectadas en los terminales Speaker B 22. Cuando el selector esté situado en A+B, se oirán las dos parejas de cajas acústicas. Cuando se utilicen auriculares, el conmutador puede situarse en la posición "Off". Diríjase a la sección dedicada a la Selección de las Cajas Acústicas para obtener información relevante sobre la impedancia de las cajas acústicas.

### Selector de la Fuente que se está Escuchando ("Listening") 14

Este selector controla cual es la fuente que está siendo escuchada. La fuente seleccionada es también la que se envía a través de los puentes que unen las secciones de Preamplificación y Amplificación de Potencia del RA-985BX.



## Selector de la Fuente en la que se está Grabando 12

Este selector controla cual de las señales de entrada es enviada a las salidas de grabación. Cuando usted no esté grabando, el Selector de Grabación debería situarse en la posición "Off" para minimizar la posibilidad de que se produzcan interferencias causadas por el resto de componentes del sistema.

La existencia de selectores separados para Grabación y Escucha añade un significativo margen de flexibilidad al RA-985BX. Por ejemplo, ajustando el Selector de Grabación en CD y el Selector de Escucha en Tuner usted podrá grabar un disco compactos mientras escucha la radio.

En caso de que deseara copiar ("dub") una grabación de una platina a otra, la platina "fuente" debería conectarse a la entrada Tape 1 y el Selector de Grabación debería situarse en Tape 1, mientras que la platina en la que se desea grabar debería conectarse a la salida Tape 2.

**Nota:** Cuando se utiliza la función de Segunda Zona del RA-985BX, el Selector de Grabación se convierte en el selector de fuente para la segunda zona. Cuando se esté utilizando la Segunda Zona, usted no podrá grabar.

## Salida de Auriculares 6

La salida de Auriculares le permite conectar unos auriculares para escuchar música en la intimidad. Esta salida incluye una toma estereofónica estándar de 1/4". Si sus auriculares incorporan un tipo de clavija diferente, como por ejemplo una de tipo "mini" de 1/8", entonces necesitará el adaptador correspondiente. Contacte con su distribuidor autorizado de productos Rotel para que le aconseje al respecto. Las cajas acústicas seguirán funcionando si han sido activadas por el Selector de Cajas Acústicas. En caso de que lo considere necesario, sitúe el mencionado selector en "Off".

## Sensor de Control Remoto 4

El Sensor de Control Remoto capta rayos infrarrojos procedentes del mando a distancia. No lo cubra ni bloquee nunca ya que en caso contrario no funcionará correctamente. El funcionamiento del Sensor de Control Remoto también puede verse afectado si el mismo es expuesto a luz brillante (en particular luz solar directa). Asimismo, es posible que las funciones de control a distancia no funcionen correctamente si las pilas del RR-927 están a punto de agotarse.

## Funcionamiento de la Segunda Zona

(Diríjase a la Figura 3 y a la sección de Conexiones de Salida para la Segunda Zona para obtener más detalles sobre la puesta a punto de una segunda zona)

**Nota:** Todas las funciones correspondientes a la Segunda Zona son controladas por el mando a distancia RR-927. Para más información, diríjase a la sección "Funcionamiento del Mando a Distancia".

## Botón Rec/Zone 28 e Indicador Luminoso de Zona 13

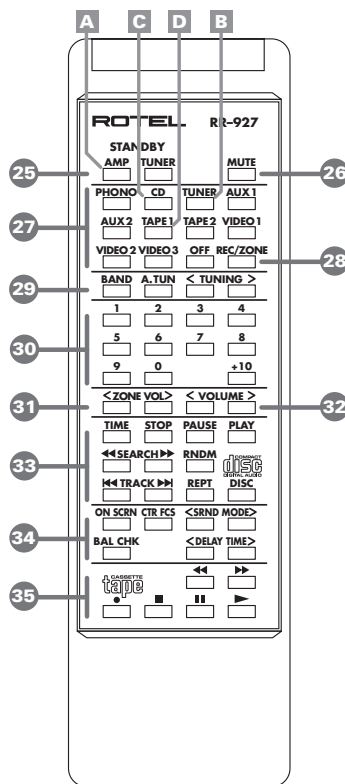
Pulse el botón Rec/Zone para activar la Segunda Zona. El Indicador Luminoso de Segunda Zona se activará para confirmarlo. A partir de este momento, el Selector de Grabación hará de selector de fuente de la Segunda Zona. Pulse de nuevo el botón Rec/Zone para que el Selector de Grabación recupere su funcionamiento normal. El Indicador Luminoso de Segunda Zona se desactivará para confirmarlo.

## Botones de Selección de Fuente 27

Cuando la Segunda Zona esté activada, los botones de selección de Fuente seleccionan la fuente para dicha zona.

## Botones de Control de Volumen de Zona 31

Los botones designados por "<Zone Vol>" controlan el nivel de volumen de la Segunda Zona. Pulse el botón izquierdo para disminuir el nivel de volumen y el botón derecho para incrementarlo.



Los botones A, B, C y D son utilizados para programar el mando a distancia. Consultar la siguiente sección.

## Mando a Distancia RR-927

Además de incorporar las funciones correspondientes a la segunda Zona, el mando a distancia RR-927 duplica la mayoría de funciones realizadas por los controles del panel frontal del RA-985BX. También puede controlar todos los componentes de la serie 900 Rotel que incluyan mando a distancia. En función de cuales sean los componentes que usted posea, puede que sea necesario reprogramar el RR-927 con un nuevo "código" utilizando el procedimiento descrito en la sección "Reprogramación".

El RR-927 está preseleccionado de fábrica para controlar los siguientes componentes:

- Amplificadores (código A2): RA-985BX, RA-945 y RC-995
- Sintonizadores (código B1): RTC-940AX, RX-950AX y RT-940AX
- Reproductores de Discos Compactos (código C1): RCD-970BX y RCD-975
- Platinas a Casetes (código D1): RD-960BX

### Reprogramación

Para reprogramar el RR-927 a fin de que el mismo pueda controlar otro componente distinto de los que se acaban de enumerar, pulse simultáneamente los botones de letra y número correspondientes a ese componente. Consulte la tabla que sigue para conocer las combinaciones de letras y números correspondientes a los distintos componentes disponibles.

- Códigos de Amplificadores y Preamplificadores: ("A" significa botón "Amp/Standby")
  - A1 – RTC-940AX, RTC-950AX y RX-950AX
  - A2 – RA-985BX, RA-945, RC-972 y RC-995
  - A4 – RC-990BX
- Códigos de Sintonizador: ("B" significa botón "Tuner")
  - B1 – RTC-940BX, RTC-950AX, RX-950AX y RT-940AX
  - B4 – RT-990BX
- Códigos de Reproductores de Discos Compactos: ("C" significa botón "CD")
  - C1 – RCD-970BX, RCD-975 y RCD-945AX/955AX/965BX
  - C2 – RCC-935, RCD-940BX y RCC-940AX
  - C3 – RCC-955, RCD-930AX, RCD-951 y RCD-971
- Platinas a Casetes: ("D" significa botón "Tape 1")
  - D1 – RD-960BX

Ejemplos: Para reprogramar el RR-927 a fin de que pueda controlar el Sintonizador RT-990BX, pulse simultáneamente los botones Tuner B y 4. Si lo que necesita es reprogramar el RR-927 para que pueda controlar el reproductor de discos compactos RCD-930AX, entonces deberá pulsar simultáneamente los botones C y 3.

## Otras Funciones del Mando a Distancia

La información que sigue presupone que se están utilizando las funciones de control para amplificador del RR-927 para gobernar el RA-985BX. Las funciones de control correspondientes a otros componentes variarán.

### Botones de Puesta en Marcha/Posición de Espera 25

Pulse estos botones para poner en marcha el RA-985BX o un sintonizador. Púselos de nuevo para que dichos componentes regresen a su posición de espera ("Standby").

### Botón de Silenciamiento (Mute) 26

Pulse este botón para silenciar la salida del RA-985BX. Púselo de nuevo para restaurar el nivel normal de salida. Cuando el sonido sea silenciado, el indicador luminoso del Control de Volumen parpadeará para confirmarlo.

### Botones de Control del Sintonizador 29

Estos botones duplican los controles del panel frontal de varios sintonizadores de Rotel. Para más información, consulte el manual de instrucciones de su sintonizador.

### Botones Numéricos de Acceso Directo 30

Estos botones son utilizados conjuntamente con sintonizadores y reproductores de discos compactos. Con los sintonizadores sirven para seleccionar emisoras presintonizadas mientras que con los reproductores de discos compactos se utilizan para seleccionar números de pista.

Para seleccionar una emisora presintonizada del sintonizador, pulse el botón Tuner y a continuación el correspondiente a la emisora seleccionada. El proceso de selección de emisoras con número de presintonía más elevado varía en función de cual sea el modelo utilizado. Para los modelos RT-940BX y RT-990BX, pulse el botón +10 y a continuación el correspondiente a la diferencia entre 10 y el número de preselección deseado. Ejemplo: Para seleccionar la presintonía 14, pulse +10 y a continuación 4. Con los modelos RX-950AX, RTC-950AX y RTC-940AX, el botón +10 no es utilizado. Con estos componentes, el botón 9 actúa como una especie de botón "+8". Ejemplos: Para seleccionar la presintonía 16, pulse 9 ("+8") y a continuación 8. Para acceder a la presintonía 9, pulse 9 y a continuación 1.

Para seleccionar una pista de un disco compacto, pulse el botón CD seguido del correspondiente al número de pista deseado. El proceso de selección de pistas con número de pista más elevado varía en función de cual sea el modelo utilizado. Para el RCD-930AX, pulse el botón +10 y a continuación el correspondiente a la diferencia entre 10 y el número de preselección deseado. Ejemplo: Para seleccionar la pista número 14, pulse +10 y a continuación 5. Con el RCD-970BX, el RCD-975 y el RCD-940BX, pulse los botones que configuren el número de pista que usted desea seleccionar. Ejemplo: Para seleccionar la pista 17, pulse 1 y a continuación 7.

### Botones de Control de Volumen 32

Estos botones duplican la función del control de volumen del panel frontal del RA-985BX. Pulse el botón de la derecha (>) para incrementar el nivel de volumen y el de la izquierda (<) para reducirlo.

### Botones de Control del Grabador de Casetes 35

Estos botones duplican las funciones de control presentes en las platinas a casetes de Rotel. Para más información, consulte el manual de instrucciones de su platina a casetes.

## Botones de Control del Procesador de Sonido Envoltente <sup>34</sup>

Estos botones duplican las funciones realizadas por muchos de los controles presentes en los procesadores de sonido envoltente de Rotel. Para más información, consulte el manual de instrucciones de su procesador de sonido envoltente.

## Botones de Control del Reproductor de Discos Compactos <sup>33</sup>

Estos botones duplican las funciones realizadas por muchos de los controles presentes en los reproductores de discos compactos de Rotel. Para más información, consulte el manual de instrucciones de reproductor de discos compactos.

## Circuitería de Protección <sup>3</sup>

El RA-985BX incorpora circuitos de protección térmica y frente a sobrecargas que lo protegen de cualquier daño potencial que pudiera producirse en caso de funcionamiento en condiciones extremas o de que hubiese fallos en el mismo. Al contrario de lo que sucede en muchos diseños de su clase, la circuitería de protección del RA-985BX es completamente independiente de la señal de audio y por tanto no tiene el más mínimo impacto en las prestaciones musicales del mismo. De este modo, el circuito de protección monitoriza la temperatura de los dispositivos de salida y desconecta el amplificador si la temperatura de funcionamiento excede los límites de seguridad prefijados.

En principio, usted no debería ver nunca este circuito en acción. Sin embargo, en el caso de que se detectara un funcionamiento defectuoso de su RA-985BX, el aparato se desconectaría y el indicador luminoso de protección del panel frontal se activaría.

Si esto sucede, desconecte completamente el amplificador, déjelo enfriar durante varios minutos e intente identificar y corregir el problema causante de la activación de la circuitería de protección. Cuando vuelva a poner de nuevo en marcha el aparato, el circuito de protección se reinicializará automáticamente y el indicador luminoso de protección debería desactivarse.

En la mayoría de casos, la circuitería de protección se activa como consecuencia de una condición de funcionamiento incorrecto, como por ejemplo la unión de los cables de conexión de las cajas acústicas o una ventilación inadecuada que provoque el sobrecalentamiento del aparato. En algunos casos muy concretos (y raros), una impedancia de las cajas acústicas extremadamente baja o altamente reactiva podría provocar la activación de los circuitos de protección.

Si la circuitería de protección se dispara repetidamente y usted se ve incapaz de aislar y corregir el motivo del fallo, contacte con un distribuidor autorizado de productos Rotel para repare la avería.

## Problemas y Posibles Soluciones

La mayoría de dificultades que suelen producirse en los sistemas de audio son el resultado de conexiones realizadas incorrectamente o ajustes inapropiados. En caso de que se encuentre con algún problema, aisle en primer lugar el área afectada, compruebe los ajustes de control realizados, determine la causa del fallo y haga los cambios necesarios. Si se ve incapaz de hacer funcionar al RA-985BX, considere las sugerencias que le damos para las siguientes condiciones:

### El Indicador Luminoso de Puesta en Marcha/ Posición de Espera No Se Activa

El Indicador Luminoso de Puesta en Marcha/Posición de Espera debería activarse cuando el RA-985BX se conecte a una toma de corriente eléctrica. Si no se activa, pruebe el funcionamiento de dicha toma con otro dispositivo eléctrico, como por ejemplo una bombilla. Asegúrese de que la toma en cuestión no esté controlada por un conmutador situado en su posición Off.

### Sustitución del Fusible

En el caso de que otro dispositivo eléctrico conectado a la toma anterior funcione correctamente y el Indicador Luminoso de Puesta en Marcha/Posición de Espera del RA-985BX no se active cuando éste es conectado a dicha toma, significa que es muy posible que el fusible de protección interno se haya fundido. Si usted cree que ha sucedido esto, contacte con su distribuidor autorizado de productos Rotel para que le proporcione uno nuevo y se lo instale adecuadamente.

### No Hay Sonido

Compruebe la fuente de sonido para asegurarse de que su funcionamiento es el correcto. Asegúrese de que los cables que van desde la fuente de señal a las entradas del RA-985BX estén conectados adecuadamente. Asegúrese de que el Selector de Escucha esté ajustado en la fuente adecuada. Compruebe todos los cables de conexión entre el RA-985BX y las cajas acústicas.

### El Indicador de Protección Está Activado

El indicador luminoso de protección del panel frontal se activa cuando los circuitos de protección del RA-985BX han interrumpido el funcionamiento normal del aparato. Por regla general, esto sólo suele ocurrir cuando las ranuras de ventilación están bloqueadas, cuando hay una conexión incorrecta de las cajas acústicas o después de un período de utilización en condiciones extremas. Desconecte su equipo y espere que el amplificador se enfríe. A continuación pulse repetidamente el conmutador de puesta en marcha del panel frontal para reinicializar los dispositivos de protección. Si la anomalía no es corregida y vuelve a hacer acto de presencia, significa que hay un problema en su equipo o en el propio amplificador.

## WAARSCHUWING:

Om het risico op elektrische schokken of brand te vermijden: zorg dat het apparaat niet nat wordt. Verwijder de kast niet: er bevinden zich in het apparaat geen bedieningsorganen. Indien nodig waarschuw een bevoegd technicus!

## EEN LAATSTE WAARSCHUWING:

Om het risico op elektrische schokken te voorkomen: laat het apparaat gesloten. Iedere reparatie dient door een gekwalificeerde technicus verricht te worden.

Lees de gehele gebruiksaanwijzing. Voordat u met het apparaat gaat werken is het van groot belang dat u weet hoe u ermee om moet gaan en dat zo veilig mogelijk. Bewaar deze gebruiksaanwijzing op een plek, die u zich na verloop van tijd nog weet te herinneren.

De waarschuwingen op het apparaat en in de gebruiksaanwijzing zijn belangrijk, sla ze niet in de wind.

Als het apparaat vuil wordt, stof het dan af met een zachte droge doek, of maak gebruik van een stofzuiger. Gebruik nooit een oplosmiddel van welke soort dan ook.

Het apparaat moet dusdanig gebruikt worden, dat een behoorlijke koeling niet in het gedrang komt. Voorbeelden: Gebruik het apparaat niet op bed, sofa, plaid of andere onregelmatige oppervlakken, waardoor de ventilatiegaten geblokkeerd zouden kunnen worden. Ook het inbouwen in een te kleine ruimte kan een voldoende koeling in de weg staan, zorg dan ook voor een ruimte boven de versterker van zo'n 10 cm.

Het apparaat moet verre gehouden worden van warmtebronnen zoals: radiatoren en kachels, maar ook versterkers.

**Het apparaat mag alleen aangesloten worden op het voltage zoals aangegeven op de achterkant, in dit geval 220 - 240 Volts 50 Hz.**

Het apparaat dient alleen aangesloten te worden met de bijgeleverde netkabel, of een soortgelijke.

Maatregelen dienen genomen te worden, die de aarding en polarisatie van het apparaat niet te niet doen. Gebruik vooral geen verlengsnoeren.

De lichtnetkabel dient zo neergelegd te worden, dat er niet op getrapt kan worden of geklemd kan worden door scherpe voorwerpen. Vooral de aansluitpunten zijn belangrijk: de aansluiting in de wandcontactdoos en daar waar de kabel het apparaat binnegaat.

Wanneer het apparaat voor langere tijd niet in gebruik is, dient de lichtnetkabel uit het lichtnet verwijderd te zijn.

Het apparaat zal in service gegeven moeten worden wanneer één van de volgende situaties zich voordoet:

- Wanneer het netsnoer en/of steker beschadigd zijn.
- Wanneer er toch voorwerpen/vloestof in het apparaat terecht zijn gekomen.
- Als het apparaat in de regen heeft gestaan.
- Als het apparaat niet normaal functioneert of een duidelijk afwijkend gedrag vertoont..
- Wanneer het apparaat gevallen is en/of de kast beschadigd is.

Plaats de versterker op een vaste, vlakke en stevige ondergrond. Plaats hem niet op een verrijdbare wagen die gemakkelijk om kan vallen.

## Inhoud (de omcirkelde cijfers verwijzen naar de nummers van de figuren)

<b>Wij van Rotel</b>	<b>46</b>
<b>Aan de slag met de RA-985BX</b>	<b>46</b>
Een paar voorzorgsmaatregelen	46
Een plek voor de RA-985BX	46
De bekabeling	46
<b>Het aansluiten op het lichtnet</b>	<b>47</b>
De lichtnetkabel <b>24</b>	47
De aan/uitschakelaar <b>1</b> met bijbehorende indicator <b>2</b>	47
De extra lichtnetvoorzieningen <b>23</b>	47
<b>Het aansluiten van de ingangen <b>15</b></b>	<b>47</b>
<b>De verbindingen met een opname apparaat <b>16</b></b>	<b>47</b>
<b>De uitgangsverbindingen voor de tweede zone <b>17</b></b>	<b>47</b>
<b>De voor/eindversterker doorverbindingen <b>18</b></b>	<b>48</b>
<b>De cassettedeck-afstandsbedieningsaansluiting <b>19</b></b>	<b>48</b>
<b>Uitbreiding op het afstandsbedieningssysteem <b>20</b></b>	<b>48</b>
<b>De luidsprekeraansluitingen <b>21</b> en <b>22</b></b>	<b>48</b>
Luidsprekerkeuze	48
Keuze van de luidsprekerkabel	48
Polariteit en fase	48
De luidsprekeraansluitingen	48
<b>De bedieningsorganen</b>	<b>48</b>
De volumeregelaar "VOLUME" <b>10</b>	48
De balansregelaar "BALANCE" <b>11</b>	48
De toonregeling aan/uitschakelaar "TONE" <b>9</b>	48
De lage- en hogetonenregeling resp. <b>7</b> en <b>8</b>	49
De luidsprekerkeuzeschakelaar "SPEAKERS" <b>5</b>	49
De luisterkeuzeschakelaar "LISTENING" <b>14</b>	49
De opnamekeuzeschakelaar "RECORDING" <b>12</b>	49
De hoofdtelefoonuitgang "PHONES" <b>6</b>	49
Het afstandsbedieningsoog "REMOTE SENSOR" <b>4</b>	49
<b>Het werken met een tweede zone</b>	<b>49</b>
De opname/zonetoets <b>28</b> met zone-indicator <b>13</b>	49
De bronkeuzetoetsen <b>27</b>	49
De zone volumetoetsen <b>31</b>	49
<b>De RR-927 afstandsbediening</b>	<b>50</b>
Het herprogrammeren	50
<b>Andere afstandsbedieningsfuncties</b>	<b>50</b>
De aan/uittoets "STANDBY" (AMP) <b>25</b>	50
De stiltetoets "MUTE" <b>26</b>	50
De bedieningstoetsen voor een tuner <b>29</b>	50
De numerieke toetsen <b>30</b>	50
De geluidsstrekte toetsen "VOLUME" <b>32</b>	50
De bedieningstoetsen voor een cassettedeck "tape" <b>35</b>	50
De bedieningstoetsen voor een surround processor <b>34</b>	50
De bedieningstoetsen voor een cd-speler <b>33</b>	50
<b>De beveiligingsindicator <b>3</b></b>	<b>51</b>
<b>Wat te doen bij problemen ?</b>	<b>51</b>
De lichtnet-indicator werkt niet	51
Het vervangen van de zekering	51
Hij geeft geen geluid	51
De beveiligingsindicator licht op	51
<b>Technische gegevens</b>	<b>53</b>

## Wij van Rotel

Het is alweer meer dan 30 jaar geleden dat een familie met een gepassioneerde betrokkenheid bij muziek besloot om zelf geluidsapparatuur van onberispelijke kwaliteit te gaan vervaardigen onder de naam Rotel. Door de loop der jaren heen is die passie gebleven en het familiedoel om audiofielen en muzikliefhebbers voor aantrekkelijke prijzen topkwaliteit te bieden wordt door iedere Rotelmedewerker gesteund.

De technici werken als een hecht team al tweakend en luisterend totdat ieder nieuw produkt dat muzikale niveau heeft bereikt dat hun bij de aanvang voor ogen stond. Zij worden volkomen vrijgelaten in hun keuze van componenten, waar ze ook van de wereld vandaan moeten komen. In Rotel apparatuur kunt u condensatoren vinden uit Duitsland en Engeland of half geleiders uit Amerika en Japan, terwijl de ringkerntransformatoren in eigen huis worden vervaardigd.

Onze goede reputatie werd gevestigd door honderden waardeerende testrapporten en vele onderscheidingen die wij hebben mogen ontvangen van mensen die uit professie dag in dag uit naar muziek luisteren. Hun kritiek houdt ons bij de les: het vervaardigen van muzikale, betrouwbare en betaalbare apparatuur.

Door de aanschaf van dit produkt danken wij u voor het in ons gestelde vertrouwen en wensen wij u er veel en langdurig plezier mee.

## Aan de slag met de RA-985BX

Wij danken u voor de aankoop van onze RA-985BX versterker. Wij zijn ervan overtuigd, dat de muziek d.m.v. deze RA-985BX ten gehore gebracht, voor u een jarenlange bron van plezier zal zijn.

De RA-985BX is een topkwaliteit versterker met vele mogelijkheden. Hij is zo ontworpen dat hij de volledige dynamiek en de meest subtiele nuances van uw favoriete muziek met het grootste gemak kan weergeven. Om dit allemaal mogelijk te maken is de RA-985BX uitgerust met een nauwkeurig geregelde voeding. Deze voeding is samengesteld uit een speciaal voor Rotel ontworpen ringkerntransformator en z.g. "split-foil" condensatoren. Zij zorgen voor de energie die nodig is om aan alle eisen van het muzieksignaal te kunnen voldoen. Het is een kostbare manier van versterkers maken, maar het is dan ook voor een goede zaak: muziek.

De beide circuits op de printboards zijn volkomen symmetrisch opgebouwd. Deze symmetrie zorgt ervoor dat de integriteit van het signaal gewaarborgd blijft. Bij ongelijke signaalwegen krijgt u nl. een licht tijdsverschil tussen het linker en rechter kanaal, met alle vervelende gevolgen van dien. In de signaalweg op de PCB's gebruiken wij uitsluitend metaalfilm-weerstand en polystyreen- of polypropyleen condensatoren, want alle aspecten van dit ontwerp zijn maar met één doel voor ogen gemaakt: de natuurgetrouwe reproductie van muziek.

Bij dit alles hebben wij nog wat leuke dingen t.b.v. het bedieningsgemak en eventuele systeemuitbreiding aan de RA-985BX toegevoegd. Zoals: een uitgebreide afstandsbediening die tevens de functies van diverse Rotel tuners en cassettedecks kan bedienen. Op de afstandsbedienings-in/uitgangen achterop kunt u het "Xantech VideoLink" systeem aansluiten waarmee de RA-985BX in staat is infraroodsignalen door te geven aan andere apparaten. (Als het goed is weet uw Rotel leverancier hier alles van.) Een externe verbinding tussen voor- en eindversterker maakt het mogelijk om b.v. een surround-processor op die plek aan te sluiten en met het unieke tweede zonesysteem kunt u m.b.v. een extra eindversterker onafhankelijk in een andere ruimte naar muziek luisteren.

In zowel bediening als installatie is de RC-985BX een recht toe recht aan ontwerp. Heeft u ervaring met andere apparatuur dan zal u dat spoedig ontdekken. De plugjes aansluiten, de stekker in het stopcontact en genieten maar.

### Een paar voorzorgsmaatregelen

Leest u vooral goed de gebruiksaanwijzing. Er staat behalve over het installeren en de bediening, belangrijke informatie in over de wijze waarop u de RA-985BX in uw installatie moet inpassen alsmede algemene richtlijnen om het maximale uit uw audio-installatie te halen. Mocht u, ondanks onze pogingen om het u zo duidelijk mogelijk te maken, toch nog vragen hebben aarzel dan niet om met uw Rotel dealer contact op te nemen: hij heeft vast en zeker de antwoorden.

Bewaar als het even kan de verpakking. Altijd handig bij een eventuele verhuizing of wanneer het apparaat opgestuurd moet worden voor reparatie, want er is geen betere bescherming tijdens transport dan zijn eigen doos.

Wanneer u van de ongelofelijk lange garantie van 5 jaar wilt genieten moet u wel even uw garantiebewijs invullen, door uw dealer laten afstempelen, één deel opsturen naar de importeur en uw deel goed bewaren bij de nota van uw leverancier.

### Een plek voor de RA-985BX

De plaats voor het apparaat moet vlak zijn, vrij van vocht, trillingen en hoge temperaturen. Stel het apparaat niet bloot aan directe zonnestralen en sluit het niet op in een niet geventileerde ruimte. Wij raden u aan de RA-985BX te gebruiken in een speciaal audiomeubel. Daarin kan hij op zijn eigen plank staan. Zet hem nooit op een eindversterker. Zodoende voorkomt u oververhitting, brom en interactie met andere componenten uit de hi-fi keten. Goede audiomeubels zijn stevig gemaakt en onderdrukken en verminderen daarmee valse resonanties, aartsvijand nummer 1 in een muziekinstallatie. U zou het niet zeggen maar een meubel kan dus in goede en kwade zin uw installatie danig beïnvloeden. Vraag uw ROTEL dealer om advies, hij weet er alles van!!

### De bekabeling

Hou de lichtnet-, digitale- en analoge signaalkabels uit elkaar. Dit vermindert de kans dat het lichtnet of de digitale informatie invloed kan uitoefenen op het analoge signaal. Ook het gebruik van hoge kwaliteits verbindingskabels voorkomt signaalvervuiling van buitenaf. Als het goed is weet uw onvolprezen Rotel leverancier hier alles van.



## Het aansluiten op het lichtnet

### De lichtnetkabel 24

De RA-985BX gebruikt nogal wat energie, daarom adviseren wij u het apparaat niet aan te sluiten via een verlengsnoer, maar rechtstreeks of via een hoogwaardig lichtnetfilter op het lichtnet. Check even of de groep waarop u uw hele installatie wilt aansluiten wel ruim genoeg gezekeerd is. Trek nooit de steker uit de wandcontactdoos door aan het snoer te trekken.

**Extra informatie:** Sluit nooit een eindversterker aan op de spanningsuitgangen van de RA-985BX. Versterkers trekken meestal meer stroom dan deze aansluitingen kunnen leveren.

Dit apparaat is ontworpen om aangesloten te worden op het lichtnet (220/230 Volts wisselspanning). Sluit het nooit aan op een lichtnet met een hoger voltage want dit kan moeilijkheden veroorzaken. Heeft u twijfel over het correcte voltage: het staat genoteerd op de sticker op de achterkant van het apparaat en op de doos, maar ook uw onvolprezen ROTEL-dealer weet het ongetwijfeld.

**Extra informatie:** Mocht u ooit moeten verhuizen naar een land met een ander voltage, dan is de versterker op dat andere voltage in te stellen. Doe deze operatie NIET zelf, maar laat hem verrichten door uw Rotel leverancier. Deze handelingen zijn voor een niet ingewijde niet van gevaar ontbloot.

Als u van plan bent om langdurig van huis te zijn, adviseren wij u uw gehele beeld en geluidsinstallatie (dus ook de RA-985BX) van het lichtnet te ontkoppelen.

### De aan/uitschakelaar 1 met bijbehorende indicator 2

Met het indrukken van de "STANDBY" toets op het front van de versterker, zet u het apparaat aan en gaat het lampje in de volumeregelaar branden. Nog een keer drukken brengt het apparaat weer in de stand-by functie: het lampje gaat weer uit. Zodra de RA-985BX is aangesloten op het lichtnet zal het lampje bij "STANDBY" altijd aan zijn.

### De extra lichtnetvoorzieningen 23

De RA-985BX heeft twee geschakelde lichtnetaansluitingen op de achterkant. Wanneer de RA-985BX in werking is, staat op deze uitgangen 220 volts. Wanneer de RA-985BX uitgeschakeld is staat er geen spanning op. U kunt er in totaal voor 400 watts aan apparatuur op aansluiten. Ze zijn eigenlijk bedoeld voor signaalbronnen zoals een tuner, cd-speler en/of opname apparatuur. Ze zijn niet bedoeld voor eindversterkers. Wanneer het totale vermogen van de aangesloten apparatuur de 400 watts te boven gaat loopt u het risico de aan/uit schakelaar van de RA-985BX te vernielen.

## Het aansluiten van de ingangen 15

(zie figuur 1 voor het aansluiten)

Achterop de versterker vindt u de bekende cinch aansluitingen.

**Extra informatie:** Het is zeer verstandig voor uw gehoor en luidsprekers dat, wanneer u signaalverbindingen maakt van welke aard dan ook, uw apparatuur UIT staat.

Alle ingangen van de RA-985BX zijn lijnniveau ingangen. Daarop kunt u alle denkbare analoge bronnen zoals cd-spelers, audio- en video opnameapparatuur, audio- en video tuners etc. aansluiten. Wenst u een platenspeler op de RA-985BX aan te sluiten dan moet u even bij uw leverancier te biecht gaan, u heeft dan namelijk een z.g. RIAA voorversterker nodig zoals b.v. onze RQ-970BX.

"LEFT" en "RIGHT" staan uiteraard voor links en rechts, let u er wel op dat u dat, i.v.m. een correct stereobeeld, juist aan sluit. Nogmaals wij adviseren u kabels van een beter type te gebruiken dan welke bij gemiddelde apparatuur wordt bijgeleverd. Uw RA-985BX leverancier weet vast welk soort wij bedoelen.

## De verbindingen met een opname apparaat 16

(zie figuur 2 voor het aansluiten)

"TAPE 1" en "TAPE 2" zijn z.g. dubbelaansluitingen: twee voor opname en twee voor weergave en werken op lijnniveau. Ze zijn bedoeld voor het aansluiten van een cassetdeck, ze kunnen natuurlijk voor alle soorten opname/weergave apparatuur gebruikt worden, zoals voor een hi-fi videorecorder, een minidiscrecorder etc.

De "IN" aansluitingen zijn ingangen en bedoeld voor de uitgangen (weergave) van het apparaat. De "OUT" aansluitingen zijn uitgangen en bedoeld voor de ingangen (opname) van het apparaat. Ook hier staan "LEFT" en "RIGHT" voor links en rechts, sluit dat correct aan en nogmaals: gebruik goed kabelmateriaal.

**Extra informatie:** Het op te nemen signaal voor de tape-uitgangen wordt bepaald door de stand van de opnamekeuzeschakelaar 12. Wanneer u echter van de tweede zonemogelijkheid gebruik maakt, kiest u met deze schakelaar de bron waarnaar u in de tweede ruimte wilt luisteren.

## De uitgangsverbindingen voor de tweede zone 17

(zie figuur 3 voor het aansluiten)

Met dit stel uitgangen kunt u via een extra eindversterker muziek verzorgen in een ander deel van uw huis. U kunt zelfs naar een andere bron luisteren dan waar de luisterkeuzeschakelaar op staat afgesteld. Zie het hoofdstuk "Het werken met een tweede zone" elders in deze gebruiksaanwijzing.

## De voor/eindversterker doorverbindingen 18

Onder de "CASSETTE REMOTE" aansluiting vindt u twee stel doorverbonden cinch pluggen genaamd "PRE OUT" en "MAIN IN". Deze aansluitingen kunt u inzetten wanneer u de RA 985BX wilt gebruiken als losse voor- en eindversterker of om tussen de voor- en eindversterker randapparatuur aan te sluiten zoals een spectrum analyser, equalizer of surround processor. Om deze mogelijkheid te gebruiken trekt u de doorverbindingen eruit en verbindt met twee (goede) interlink kabels de "PRE OUT" (uitgangen) met de ingangen van de processor en de "MAIN IN" (ingangen) met de uitgangen van dat apparaat.

Wilt u van uw stereoinstallatie een surround installatie maken dan is dit de aansluitmogelijkheid voor een surround processor. U laat dan de voorkanalen door de RA-985BX bedienen.

## De afstandsbedieningsaansluiting voor een cassettedeck 19

Er zijn Rotel cassette decks die bedient kunnen worden met de RR-927 afstandsbediening. Om van deze mogelijkheid gebruik te kunnen maken moet u de aansluiting "CASSETTE REMOTE" (19) op de achterkant van de RA-985BX met een standaard 8-pins DIN kabel met dezelfde aansluiting op uw (Rotel) cassette deck verbinden. Commando's van de RR-927 gaan nu via deze kabel naar uw cassette deck.

## Uitbreiding op het afstandsbedieningssysteem 20

De "REMOTE SENSOR IN" en "OUT" en "CONNECTION OUT" aansluitingen zijn voor gebruik in een totaalinstallatie. Ze zijn bedoeld om andere apparaten dan die van Rotel op afstand te laten werken, door gebruikmaking van het Video Link systeem van Xantech Corporation.  
(voor inlichtingen: Martek, tel. 0416-692670 of uw leverancier)

## De luidsprekeraansluitingen 21 en 22

De RA-985 heeft de mogelijkheid twee stel luidsprekers aan te sluiten: een stel "A" 21 en een stel "B" 22. Met de luidsprekerkeuzeschakelaar "SPEAKERS" 5 kunt u uw keuze aan de versterker kenbaar maken.

### Luidsprekerkeuze

Als u slechts één stel luidsprekers op de RA-985BX wilt aansluiten mag de impedantie van deze luidsprekers 4Ω zijn. Als u echter twee stel luidsprekers op de RA-985BX wilt aansluiten mag de impedantie van iedere individuele luidspreker niet lager zijn dan 8Ω. Hoewel de opgegeven impedantie van de meeste luidsprekers verre van precies is, zal de RA-985BX weinig problemen hebben met de meeste luidsprekers. Heeft u twijfels raadpleeg dan uw Rotel leverancier.

## Keuze van de luidsprekerkabel

We kunnen het wel van de daken roepen: onderschat niet het belang van een goede luidsprekerverbinding. U kunt natuurlijk gewoon draad gebruiken, maar dat is zonde van de versterker die u zojuist heeft aangeschaft. Als u er niet zoveel aandacht aan wilt schenken koop dan in ieder geval kabel die zo dik mogelijk is. Uw versterker is echter meer waard: echte hoogwaardige luidsprekerkabel. Er zijn vele soorten en kwaliteiten, raadpleeg uw vakkundige Rotel leverancier, hij kan u van de juiste informatie over dit zeer belangrijke onderwerp voorzien.

## Polariteit en fase

Zéér belangrijk: houdt u de fase in de gaten? Goed luidsprekerkabel is gemerkt hetzij met een tekst of met een kleur op een van de draden. Zorg dat de rode uitgang van de versterker ook met de rode of + van de luidspreker wordt verbonden. Er gaat niets stuk als u deze laatste handelingen verkeerd doet, maar de muziek gaat zo beroerd klinken! Mocht u toch nog twijfels hebben over de juiste polariteit, dan hoeft u de draden van maar één luidspreker te verwisselen. Hoe herkent u de juiste polariteit? Zet de twee luidsprekers met de fronten ongeveer 7,5cm. tegenover elkaar. Speel een stukje muziek met veel lage tonen (b.v. orgel). De verbinding met de meeste lage tonen-reproductie is de juiste. Hoe komt dat: bij aansluiting "in fase" versterken de luidsprekers elkaar, maar "uit fase" heffen ze elkaars geluid op.

## De luidsprekeraansluitingen

Als u uw luidsprekers zonder pluggen o.i.d. aansluit, stript u dan ongeveer 1,5cm. van de luidsprekerkabel en steek deze door de aansluiting nadat u de knop van de uitgang heeft losgedraaid en draai deze dan weer (GOED) vast.

Zorg ervoor dat er geen losse draadjes uitsteken, deze kunnen sluiting veroorzaken. Gebruikt u de bekende vorkjes dan kunt u deze bevestigen achter de losgedraaide draaiknoppen. Draai ze weer goed, maar niet overdreven vast. Herhaal deze handelingen voor alle vier de draden. Gebruikt u tegen de Europese regels toch luidsprekerpluggen dan kunt u die direct in het middengat van de aansluiting steken.

*Extra informatie: Controleer zorgvuldig of u bij het monteren van de luidsprekerbekabeling geen sluiting maakt. Uw versterker vindt sluiting heel vervelend.*

## De bedieningsorganen

### De volumeregelaar "VOLUME" 10

De "VOLUME" regelaar regelt het volume van beide kanalen tegelijk: rechtsonder vermeerderd- en linksom vermindert het niveau.

### De balansregelaar "BALANCE" 11

Met de "BALANCE" regelaar kunt u de relatieve luidheid van de kanalen instellen. Rechtsom draaien doet het stereobeeld naar rechts verhuizen en linksom.

### De toonregeling aan/uit schakelaar "TONE" 9

Met de "TONE" schakelaar kunt u het toonregelcircuit uitschakelen. Voor maximale kwaliteit en minimale vervorming is de kortste weg de mooiste, onder normale omstandigheden en wanneer u de toonregeling dus niet wenst te gebruiken, staat deze schakelaar dan ook op "OFF".

## De lage- en hogetonenregeling "BASS" en "TREBLE" 7 en 8

Met de "BASS" regelaar kunt u de lage tonen instellen en met de "TREBLE" regelt u de hoge tonen. Voor een rechte frequentie-karakteristiek zet u beide knopjes in de middenstand. Rechtsom versterkt en linksom verzwakt de werking in de toengebieden. Mits u natuurlijk de "TONE" schakelaar op "ON" heeft staan.

Een goed samengestelde en uitgeruste installatie heeft maar weinig tooncorrectie nodig. Gebruik de toonregeling dan ook met mate. Vooral het opdraaien dient met terughoudendheid te geschieden u kunt heel gemakkelijk uw eindversterker en dus uw luidsprekers oversturen.

## De luidsprekerkeuzeschakelaar "SPEAKERS" 5

Indien de luidsprekerkeuzeschakelaar op "A" staat, luidsprekers aangesloten op uitgang "A" zullen weergeven. Wanneer de luidsprekerkeuzeschakelaar op "B" staat, dan zullen de luidsprekers aangesloten op uitgang "B" weergeven. Indien de schakelaar op stand "A+B" staat, spelen beide paren. Wenst u uw muziek af te luisteren met een hoofdtelefoon en de rest van het huis in ruste te houden dan zet u de schakelaar op "Off". Lees ook even het hoofdstuk "Luidsprekerkeuze" i.v.m. de gewenste impedantie bij meervoudig luidsprekergebruik.

## De luisterkeuzeschakelaar "LISTENING" 14

Met de luisterkeuzeschakelaar "LISTENING" kiest u de bron waarnaar u wenst te luisteren. Deze schakelaar werkt volkomen onafhankelijk van de "RECORDING" schakelaar. U kunt dus tijdens het opnemen naar een andere bron luisteren, dan waarvan u op dat moment een opname maakt.

## De opname keuzeschakelaar "RECORDING" 12

Zet de opnamekeuzeschakelaar ("RECORDING") op de bron waarvan u wenst op te nemen. De stand van de volumeregelaar en de toonregeling hebben geen invloed op de opname. Wanneer u van een opnameapparaat gebruikt maakt met een driekoppen functie, bent u instaat om tijdens het opnemen uw opname te beluisteren de z.g. "naband" controle. U doet dat door de luisterkeuzeschakelaar ("LISTENING") op het opnemende apparaat te zetten b.v. "Tape 1".

Wanneer u twee opnameapparaten op de RA-985BX heeft aangesloten is het mogelijk de opname van de machine die aangesloten is op "TAPE 1" over te schrijven naar de machine die aangesloten is op "TAPE 2". (niet andersom) Ook bij het overschrijven hebben de volume- en toonregeling geen invloed op de opname.

Wanneer u geen opnames maakt is het raadzaam de opname keuzeschakelaar uit ("OFF") te zetten.

**Extra informatie:** Wanneer u van de tweede zonemogelijkheid gebruik maakt, kiest u met deze schakelaar de bron waarnaar u in de tweede ruimte wilt luisteren. Tijdens tweede zonegebruik kunt u van de opnamefunctie dus GEEN gebruik maken.

## De hoofdtelefoonuitgang 6

De "HEADPHONE" aansluiting is voor gebruik van de RA-985BX met een hoofdtelefoon. Indien uw hoofdtelefoon niet is voorzien van de juiste plug, dan weet uw handelaar daar ongetwijfeld raad mee. Wanneer u van de hoofdtelefoon-uitgang gebruik maakt, wordt het signaal naar de luidsprekeruitgangen niet onderbroken. Wilt u de rest van het huis dus in ruste houden, dan moet u uw luidsprekers uitzetten met de luidsprekerkeuzeschakelaar "SPEAKERS" 5.

## Het afstandsbedieningsoog 4

De "REMOTE-SENSOR" is de ontvanger van de infrarood signalen van de RR-927 afstandsbediening. Zorg er altijd voor dat dit "oog" onbedekt is, anders is de afstandsbediening geen AFSTANDSbediening meer! Ook kan direct zonlicht de werking danig beïnvloeden en vergeet niet zo nu en dan de batterijen te vervangen!

## Het werken met een tweede zone

(zie figuur 3 en het hoofdstuk "De uitgangs-verbindingen voor een tweede zone" voor extra informatie en het aansluiten)

**Extra informatie:** Alle functies betreffende het tweede zonegebruik bedient u met de afstandsbediening. Zie het hoofdstuk "Andere afstandsbedieningsfuncties" elders voor meer informatie.

## De opname/zonetoets 28 met zone-indicator 13

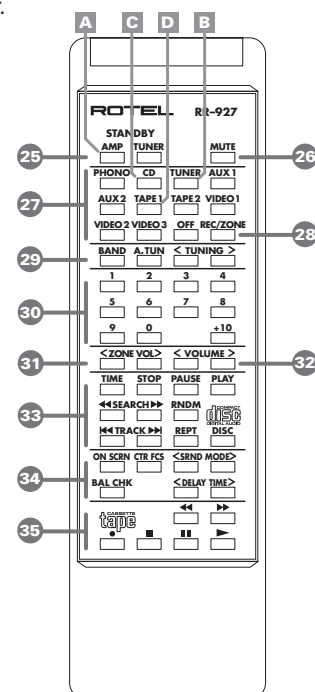
Om de tweede zone te activeren drukt u op de "REC/ZONE" toets 28 van de afstandsbediening. De tweede zone indicator op de versterker licht op. De opnamekeuzeschakelaar werkt nu als tweede zone keuzeschakelaar. Om deze schakelaar weer zijn normale functie te geven drukt u nogmaals op de "REC/ZONE" toets 28.

## De bronkeuzetoetsen 27

Wanneer de tweede zone in functie is, kiest u uw bronnen die u in deze andere ruimte wilt horen met de bronkeuzetoetsen 27 op de afstandsbediening.

## De zone volumetoetsen "ZONE VOL" 31

Met de toetsen "<ZONE VOL>" regelt u het geluidsniveau in de andere ruimte. De linker toets "<" voor zachter en de rechter toets ">" voor luider.



De toetsen A, B, C en D worden gebruikt om de afstandsbediening te programmeren. Zie volgend hoofdstuk.

## De RR-927 afstandsbediening

Behalve de functiebediening voor de tweede zone kunt u met de RR-927 vrijwel alle andere functies van de RA-985BX ook bedienen. Ook alle andere apparaten uit onze 900 serie die met een afstandsbediening te bedienen zijn kunt u met de RR-927 besturen. Afhankelijk van de apparaten die al heeft, moet u de RR-927 van codes voorzien die corresponderen met de betreffende apparaten, volgens een procedure die in het volgende hoofdstukje beschreven staat. De codes van de onderstaande apparaten hebben wij al in de RR-927 gestopt:

Versterkers (code A2) voor: RA-985BX, RA-945 en RC-995  
Tuners (code B1) voor: RTC-940AX, RX-950AX en RT-940AX  
Cd-spelers (code C1) voor: RCD-970BX en RCD-975  
Cassettedecks (code D1) RD-960BX

### Het herprogrammeren

Om de RR-927 met andere apparaten te laten werken dan met de bovengenoemde, moet u het volgende doen: Druk tegelijkertijd de lettertoets met het nummer voor het betreffende component volgens de onderstaande lijst.

(Voor)versterkercode: A is de AMP "STANDBY" toets)

A1 - RTC-940AX, RTC-950AX en RX-950AX  
A2 - RA-985BX, RA-945, RC-972 en RC-995  
A4 - RC-990BX

Tunercode: (B is de "TUNER" toets)

B1 - RTC-940AX, RTC-950AX, RX-950AX en RT-940AX  
B4 - RT-990BX

CD-spelercode: (C is de "CD" toets)

C1 - RCD-970BX, RCD-975, RCD-945AX, RCD-955AX en RCD-965BX  
C2 - RCC-935, RCD-940BX en RCC-940AX  
C3 - RCC-955, RCD-930AX, RCD-951 en RCD-971

Cassettedeck: (D is de "TAPE 1" toets)

D1 - RD-960BX

Voorbeeldjes: Om de RR-927 te programmeren om te werken met de RT-990BX tuner drukt u tegelijkertijd op de toets "TUNER" (voor de B) en op 4. En om hem geschikt te maken voor de RCD-930AX drukt u tegelijkertijd op de toets "CD" (voor de C) en op 3.

## Andere afstandsbedieningsfuncties

De onderstaande informatie is voor de bediening van de RA-985BX met de RR-927. Bediening van andere componenten kan iets anders zijn.

### De aan/uittoets "STANDBY" (AMP) 25

Deze toets dupliceert in het RC-995 geval de "STANDBY" toets. Druk op deze toets om hem aan of uit te zetten.

### De stiltetoets "MUTE" 26

Wenst u acute stilte druk dan op de "MUTE" toets. Bij nogmaals deze toets gebruiken begrijpt u wat er gebeurt. Het lichtje in de volumeregelaar knippert wanneer de stiltetoets in functie is.

### De bedieningstoetsen voor de tuner 29

Deze toetsen vindt u op de voorkant van de meeste Rotel tuners. Bestudeer ook de gebruiksaanwijzing van de betreffende tuner.

### De numerieke toetsen 30

Met deze toetsen kunt u zowel een tuner als een cd-speler bedienen. Voor een tuner zijn ze bestemd voor de voorkeuzestations en voor een cd-speler voor de verschillende nummers.

Om een voorkeuzezender te kiezen doet u het volgende: druk eerst op de toets "A TUN" en vervolgens op het voorkeuzenummer. Voor een keuze boven de 9 zijn er voor de verschillende tuners verschillende mogelijkheden. Voor de RT-940 en 990BX drukt u eerst op "+10" toets en vervolgens op het resterende nummer. Voorbeeldje: voorkeuzezender 14: eerst drukken op "+10" en vervolgens op "4". Bij de RX-950AX, RTC-950AX en de RTC-940AX wordt de "+10" toets niet gebruikt. Bij deze apparaten is toets "9" +8. Dus voorkeuzezender 16 wordt "9" (=+8) en vervolgens "8". Voorkeuzezender 9 wordt dus "9" en vervolgens "1". (hoe hebben we het ooit kunnen verzinnen.)

### De geluidssterktetoetsen "<VOLUME>" 32

Deze toetsen dupliceren de geluidssterkteregeling op de RA-985. De op- (">") en neer ("<") toetsen zijn voor respectievelijk harder en zachter.

### De bedieningstoetsen voor een cassettedeck "tape" 35

Deze toetsen dupliceren de bedieningstoetsen van Rotel cassettedecks. Bestudeer ook de gebruiksaanwijzing van het betreffende cassettedeck.

### De bedieningstoetsen voor een surround-processor 34

Deze toetsen dupliceren de bedieningstoetsen van de meeste Rotel surround-processors. Bestudeer ook de gebruiksaanwijzing van de betreffende surround-processor.

### De bedieningstoetsen voor een cd-speler 33

Deze toetsen dupliceren de bedieningstoetsen van de meeste Rotel cd-spelers. Bestudeer ook de gebruiksaanwijzing van de betreffende cd-speler.

## De beveiligings-indicator 3

De RB-993 is uitgerust met zowel een thermische als een stroombegrenzings-beveiliging, welke de versterker behoeden voor schade veroorzaakt door foutief of extreem gebruik. Niet zoals bij vele andere versterkers, werken deze beveiligingscircuits onafhankelijk van het audiosignaal dus hebben ze geen invloed op de geluidswaergave. De beveiligingen houden continu de temperatuur in de gaten en schakelen de versterker uit wanneer deze te heet wordt.

Hoogst waarschijnlijk ziet u deze circuits nooit in werking treden. Mocht dit echter toch gebeuren, dan stopt de versterker met het produceren van geluid en de indicator bij "PROTECTION" gaat branden.

Gebeurt dit, schakel dan de versterker uit, laat hem gedurende enkele minuten afkoelen en probeer er ondertussen achter te komen wat de oorzaak van het probleem zou kunnen zijn geweest. Wanneer u nu de versterker weer aan zet, zullen de beveiligingscircuits zichzelf herstellen en gaat de indicator weer uit.

In de meeste gevallen worden de beveiligingscircuits geactiveerd door een foutieve aansluiting b.v. kortsluiting van de luidsprekerbedrading of slechte ventilatie bij een oververhitte situatie. Slechts in uitzonderlijke gevallen zal de impedantie (extreem laag) of de Inductie (zeer hoog) van een luidspreker de oorzaak zijn van het ingrijpen van de beveiligingscircuits.

Mocht het in werking komen van de beveiligingscircuits regelmatig voorkomen zonder dat u er achter komt wat de oorzaak is, neem dan contact op met uw Rotel leverancier. Hij weet vast het probleem voor u op te lossen.

## Wat te doen bij problemen?

Als er al problemen zijn, zijn deze meestal te wijten aan slechte verbindingen, slecht verbindingmateriaal of een verkeerde stand van de knoppen/schakelaars. Controleer bij niet functioneren of alle schakelaars en knoppen in de juiste stand staan. Functioneert het één en ander niet zoals het moet, probeer dan door elimineren er achter te komen waar het probleem zit. Heeft u b.v. last van brom, controleer dan of dat altijd het geval is (een versterkerprobleem) of alleen bij een bepaalde bron (een probleem dus bij die bepaalde bron). Bent u echt niet in staat om geluid uit de RA-985BX te krijgen, volgt u dan onderstaande suggesties:

### De lichtnet-indicator werkt niet

De lichtnet-indicator gaat branden zodra de RA-985BX op het lichtnet is aangesloten. Doet de indicator het niet, controleer dan de lichtnet-aansluiting waarop de RA-985BX is aangesloten, met een ander elektrisch apparaat, een schemerlamp o.i.d.

### Het vervangen van de zekering

Ontdekt u met de schemerlampproef dat er wel degelijk spanning staat op de door u gebruikte wandcontactdoos en de lichtnet-indicator doet het nog steeds niet, dan kan de interne zekering van de RA-985BX wel eens ter ziele zijn. Neem in dat geval contact op met uw handelaar, hij kan dat klusje zo voor u klaren.

### Hij geeft geen geluid

Het indicator-lampje brandt wel, maar u hoort nog steeds niets. Controleer dan of de verbindingen tussen de gekozen bron en de RA-985BX wel o.k. is. Controleer of de luister keuzeschakelaar "LISTENING" in de juiste stand staat. Hoe is de kwaliteit van de verbindingen tussen de RA-985BX en de luidsprekers? Na al deze controles moet 'ie het doen. Zo niet: u weet uw steun en toeverlaat, uw Rotel leverancier, te vinden.

### De beveiligingsindicator licht op

Als de beveiligingsindicator oplicht is er iets loos. Er zijn nu drie mogelijkheden: de ventilatiegaten bovenop de versterker worden geblokkeerd, er heerst kortsluiting bij de luidsprekeruitgangen of er is een tijdje lang extreem met de RA-985BX te keer gegaan. Zet de versterker eerst uit, check dan de eerste twee mogelijkheden. De derde mogelijkheid weet u zelf het best. Wacht een paar minuten om de RA-985BX de gelegenheid te geven om af te koelen. Nu zet u de versterker weer aan en moet het probleem zijn opgelost. Doet 'ie het nu nog niet, dan is het tijd om contact met uw niet aflatende leverancier op te nemen.



## Specifications

<b>Continuous Power Output (20-20 kHz, &lt; 0.03%, 8 ohms)</b>	100 watts/ch
<b>Total Harmonic Distortion (20Hz-20kHz)</b>	< 0.03% at rated power, 1/2 power or 1 watt
<b>Intermodulation Distortion (60 Hz : 7 kHz, 4:1)</b>	< 0.05% at rated power, 1/2 power or 1 watt
<b>Frequency Response - all inputs</b>	4Hz-100kHz, ± 3dB
<b>Damping Factor (20-20,000 Hz, 8 ohms)</b>	400
<b>Input Sensitivity / Impedance</b>	150 mV / 15 kOhms
<b>Input Overload</b>	5 V
<b>Preamplifier / Zone Maximum Output Voltage</b>	1V
<b>Tone Controls - Bass /Treble</b>	±6 dB at 100Hz / 10kHz
<b>Signal to Noise Ratio (IHF "A" weighted)</b>	97 dB
<b>Power Requirements</b>	
<b>USA Version</b>	115 Volts, 60 Hz
<b>European Version</b>	230 Volts, 50 Hz
<b>Power Consumption</b>	400 Watts
<b>Dimensions (W x H x D)</b>	440 x 121 x 347 mm 17 3/8 x 4 7/8 x 13 3/4"
<b>Weight (net)</b>	10.1 kg, 22.2 lbs.

All specifications are accurate at the time of printing.  
Rotel reserves the right to make improvements without notice.

## Technische Daten

<b>Dauerausgangsleistung (20 – 20000 Hz, &lt; 0,03 %, 8 Ohm)</b>	100 Watt/Kanal
<b>Gesamtklirrfaktor (20 - 20.000 Hz)</b>	< 0,03 % bei Nennleistung, halber Nennleistung oder 1 Watt
<b>Intermodulationsverzerrung (60 Hz : 7 kHz, 4:1)</b>	< 0,05 % bei Nennleistung, halber Nennleistung oder 1 Watt
<b>Frequenzgang – alle Eingänge</b>	4 – 100.000 Hz, ± 3 dB
<b>Dämpfungsfaktor (20 – 20000 Hz, 8 Ohm)</b>	400
<b>Eingangsempfindlichkeit/-impedanz</b>	150 mV/15 kOhm
<b>Übersteuerungsgrenze</b>	5 V
<b>Max. Ausgangsspannung Vorverstärker /Zone</b>	1 V
<b>Klangregelung Bass/Treble</b>	± 6 dB bei 100 Hz / 10 kHz
<b>Geräuschspannungsabstand (IHF A)</b>	97 dB
<b>Spannungsversorgung</b>	
<b>Europa</b>	230 Volt, 50 Hz
<b>USA</b>	115 Volts, 60 Hz
<b>Leistungsaufnahme</b>	400 Watt
<b>Abmessungen (B x H x T)</b>	440 x 121 x 347 mm
<b>Nettogewicht</b>	10,1 kg

Diese Bedienungsanleitung entspricht dem technischen Stand bei Drucklegung. Änderungen in Technik und Ausstattung vorbehalten.

## Spécifications

<b>Puissance de sortie continue (20 – 20 000 Hz, DHT &lt; 0,03 %, sur 8 ohms)</b>	100 watts/canal
<b>Distorsion harmonique totale (20 – 20 000 Hz, 8 ohms)</b>	< 0,03 %, puissance maxi, 1/2 puissance ou 1 watt
<b>Distorsion d'intermodulation (60 Hz : 7 kHz, 4 :1)</b>	< 0,05 %, puissance maxi, 1/2 puissance ou 1 watt
<b>Réponse en fréquence (toutes entrées)</b>	4 Hz – 100 kHz (± 3 dB)
<b>Facteur d'amortissement (20 – 20 000 Hz, 8 ohms)</b>	400
<b>Sensibilité d'entrée/Impédance</b>	150 mV/15 kilohms
<b>Saturation en entrée</b>	5 volts
<b>Niveau de sortie préampli/zone maximum</b>	1 volt
<b>Correcteurs grave-aigu</b>	± 6 dB à 100 Hz / 10 kHz
<b>Rapport signal/bruit (pondéré A IHF)</b>	97dB
<b>Alimentation</b>	
<b>(Europe)</b>	120 volts, 60 Hz ou
<b>(USA)</b>	230 volts, 50 Hz
<b>Consommation</b>	400 watts maximum
<b>Dimensions (L x H x P)</b>	440 x 121 x 347 mm
<b>Poids (net)</b>	10,1 kg

Toutes les spécifications sont certifiées exactes au moment de l'impression.  
Rotel se réserve le droit d'apporter des améliorations sans préavis.

## Caratteristiche

<b>Potenza d'uscita continua (20-20kHz, &lt;0.03 % su 8 ohm)</b>	100 watt per canale
<b>Distorsione armonica totale (20Hz-20kHz)</b>	< 0.03%
<b>Distorsione di intermodulazione (60 Hz : 7 kHz, 4:1)</b>	<0.05%
<b>Risposta in frequenza – tutti gli ingressi</b>	4Hz - 100Hz, ± 3 dB
<b>Fattore di smorzamento (20 - 20,000Hz, 8 ohm)</b>	400
<b>Impedenza/sensibilità d'ingresso</b>	150 mV / 15 kOhm
<b>Sovraccarico di ingresso</b>	5 V
<b>Voltaggio in uscita massimo Preamp/Zone</b>	1V
<b>Controlli di tono – Bass/Treble</b>	± 6 dB a 100 Hz / 10kHz
<b>Rapporto segnale disturbo</b>	97 dB
<b>Alimentazione</b>	
<b>versione Americana</b>	120 Volt , 60 Hz
<b>versione Europea</b>	230 Volt, 50 Hz
<b>Absorbimento</b>	400 Watt
<b>Dimensioni (L x A x P)</b>	440 x 121 x 347 mm
<b>Peso (netto)</b>	10.1 Kg.

Tutte le caratteristiche sono corrette al momento della pubblicazione.  
Rotel si riserva il diritto di apportare qualsiasi cambiamento senza alcun preavviso.

## Características Técnicas

Potencia Continua de Salida (20-20.000 Hz, THD < 0'03%, 8 ohmios)	100 vatios/canal sobre 8 ohmios
Distorsión Armónica Total (20-20.000 Hz)	<0'03% a la potencia nominal, a la mitad de la misma o a 1 vatio
Distorsión por Intermodulación (60 Hz : 7 kHz, 4:1)	<0'05% a la potencia nominal, a la mitad de la misma o a 1 vatio
Respuesta en Frecuencia – todas las entradas	4-100.000 Hz, ±3 dB
Factor de Amortiguamiento (20-20.000 Hz, 8 ohmios)	400
Sensibilidad/Impedancia de Entrada	150 mV/15 kohmios
Nivel de Entrada Máximo	5 V
Nivel de Salida Máximo de Preamplificación/Zona	1 V
Actuación de los Controles de Tono – Graves/Agudos	±6 dB a 100 Hz/10 kHz
Relación Señal/Ruido (norma IHF/ponderación A)	97 dB
Alimentación	115 voltios/60 Hz (U.S.) 230 voltios/50 Hz (Europe)
Consumo	400 vatios
Dimensiones (An x Al x P)	440 x 121 x 347 mm
Peso Neto	10'1 kg

Todas estas especificaciones son correctas en el momento de la impresión del presente manual de instrucciones.

Rotel se reserva el derecho a realizar modificaciones en las mismas sin aviso previo.

## Technische gegevens

<b>Continue uitgangsvermogen</b> (20-20.000 Hz. < 0,03% THD, 8Ω)	100 Watts per kanaal
<b>Totale harmonische vervorming (20-20.000 Hz.)</b>	< 0,03% bij het opgegeven vermogen, half vermogen en 1 watt
<b>Intermodulatie vervorming (60 Hz : 7 kHz., 4 : 1)</b>	< 0,05% bij het opgegeven vermogen, half vermogen en 1 watt
<b>Frequentiebereik van alle ingangen</b>	4 Hz. - 100 kHz. ± 3 dB.
<b>Dempingsfactor (20-20.000 Hz. aan 8 Ω)</b>	400
<b>Ingangsimpedantie/gevoeligheid</b>	150 mV./15 kΩ
<b>Oversturingsgrens</b>	5 V.
<b>Max. uitgangsspanning van voorversterker en zone</b>	1 V.
<b>Toonregeling laag/hoog</b>	± 6 dB bij 100 Hz./10 kHz.
<b>Signaal/ruisverhouding (IHF, A netwerk)</b>	97 dB
<b>Lichtnetspanning</b>	115 V. 60 Hz. (U.S.A.) of 230 V. 50 Hz.
<b>Vermogensopname</b>	400 Watts
<b>Afmetingen</b>	440x121x347 mm. (bxhxd)
<b>Netto gewicht</b>	10,1 kg

Gegevens en ontwerp zijn voorbehouden.

# RA-985BX

STEREO INTEGRATED AMPLIFIER

AMPLIFICATEUR INTÉGRÉ STÉRÉOPHONIQUE

STEREO-VOLLVERSTÄRKER

AMPLIFICATORE INTEGRATO

AMPLIFICADOR INTEGRADO

GEİNTEGREERDE STEREO VERSTERKER

## **The Rotel Co. Ltd.**

10-10 Shinsen-Cho  
Shibuya-Ku  
Tokyo 150-0045  
Japan

Phone: +81-3-5458-5325

Fax: +81-3-5458-5310

## **Rotel of America**

54 Concord Street  
North Reading, MA 01864-2699  
USA

Phone: +1 978-664-3820

Fax: +1 978-664-4109

## **Rotel Europe**

Meadow Road  
Worthing, West Sussex BN11 2RX  
England

Phone: +44 1903-524-813

Fax: +44 1903-524-831

## **Rotel Deutschland**

Kleine Heide 12  
D-33790 Halle/Westf.  
Germany

Phone: +49 5201-87170

Fax: +49 5201-73370

**ROTEL** *hi-fi*

**ROTEL** *hi-fi*

**ROTEL** *hi-fi*

**ROTEL** *hi-fi*

**ROTEL** *hi-fi*

**ROTEL** *hi-fi*

**ROTEL** *hi-fi*

**ROTEL** *hi-fi*

**ROTEL** *hi-fi*

**ROTEL** *hi-fi*

**ROTEL** *hi-fi*

**ROTEL** *hi-fi*

**ROTEL** *hi-fi*

**ROTEL** *hi-fi*

**ROTEL** *hi-fi*

**ROTEL** *hi-fi*

**ROTEL** *hi-fi*

**ROTEL** *hi-fi*

**ROTEL** *hi-fi*

**ROTEL** *hi-fi*

## Free Manuals Download Website

<http://myh66.com>

<http://usermanuals.us>

<http://www.somanuals.com>

<http://www.4manuals.cc>

<http://www.manual-lib.com>

<http://www.404manual.com>

<http://www.luxmanual.com>

<http://aubethermostatmanual.com>

Golf course search by state

<http://golfingnear.com>

Email search by domain

<http://emailbydomain.com>

Auto manuals search

<http://auto.somanuals.com>

TV manuals search

<http://tv.somanuals.com>