

# owner's manual



Quality. No compromise.

# ROTEL RP-820

BELT-DRIVE  
SEMI-AUTOMATIC  
STEREO TURNTABLE

ENGLISH .....	1	ITALIANO .....	16
DEUTSCH .....	4	SVENSKA .....	19
FRANÇAIS .....	7	SUOMI .....	22
NEDERLANDS .....	10	DANSK .....	25
ESPAÑOL .....	13	NORSK .....	28

**WARNING**  
TO PREVENT FIRE OR SHOCK HAZARD,  
DO NOT EXPOSE THIS APPLIANCE TO  
RAIN OR MOISTURE

Write your SERIAL NUMBER here.

The number is located near the name

# ENGLISH

## BELT-DRIVE SEMI-AUTOMATIC STEREO TURNTABLE RP-820

### INTRODUCTION

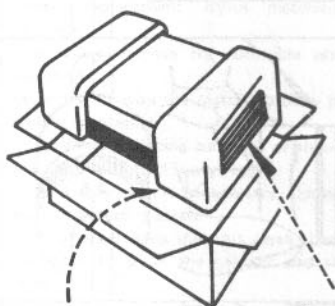
We at Rotel want to thank you for purchasing our audio product.

Rotel audio products are designed to use the latest electronic technology, and they incorporate our long experience as a specialist manufacturer of audio equipment. We are confident that you will find satisfaction in the high quality sound and top performance, and that you will find pleasure in the functional beauty achieved through human-engineering concept. Before starting operation, please read this instruction manual thoroughly and acquaint yourself with the proper mode of using the unit and all its connections.

We hope you will enjoy top-notch performance for many years to come.

### UNPACKING

The EP adaptor and counterweight are stored inside the styrofoam moulding.



RUBBER MAT

ACCESSORIES

### POWER SUPPLY CONNECTION

For power the unit requires normal household current (AC). Simply plug the unit into a wall outlet, or your amplifier's (or receiver's) convenience receptacle on the rear panel. If it is plugged to a convenience receptacle marked "SWITCHED," you cannot operate the unit when the power switch on the amplifier or receiver is set to OFF.

### INSTALLATION

To prevent hum, do not place the unit near appliances with motors or large transformers. Be sure the unit's location is not subject to high temperature, humidity, or direct sunlight, to prevent possible troubles.

Vibration or tilted installation will impede good performance of the turntable and the stylus will skip grooves.

### EXCLUSIVE NOTE FOR U.K.

If your unit comes with a 2-core cable without a plug, make certain live and neutral leads are connected to the proper terminals. Check that the terminals are screwed down firmly and no loose strands of wire are present.

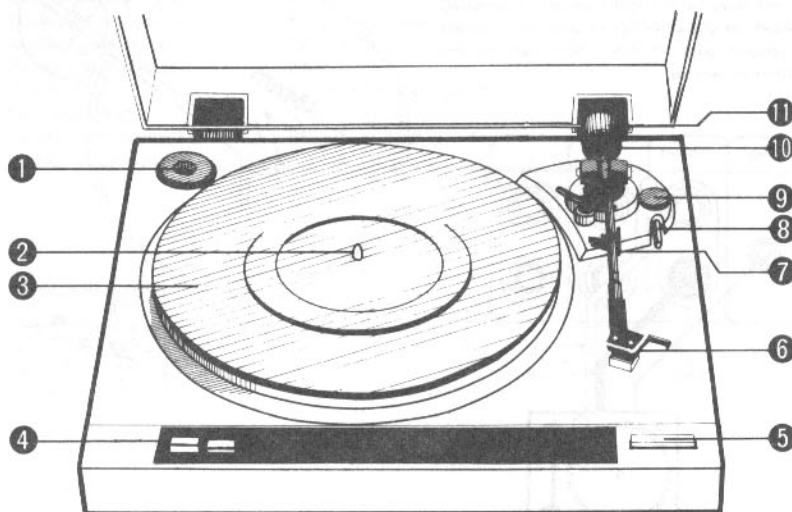
**IMPORTANT:** The wires in this mains lead are coloured in accordance with the following code:

BLUE: NEUTRAL

BROWN: LIVE

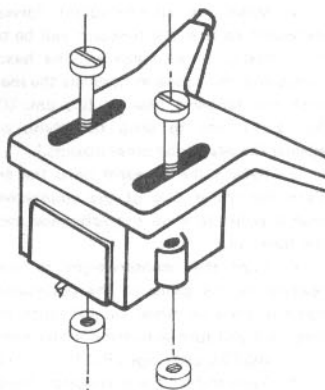
As the colours of the wires in the mains lead of this apparatus may not correspond with the coloured markings identifying the terminals in your plug proceed as follows.

The wire which is coloured BLUE must be connected to the terminal which is marked with the letter N or coloured BLUE or BLACK. The wire which is coloured BROWN must be connected to the terminal which is marked with the letter L or coloured BROWN or RED.



### PART NAMES

- |                        |                         |
|------------------------|-------------------------|
| (1) EP adaptor         | (6) Headshell/tonearm   |
| (2) Turntable spindle  | (7) Arm rest/clamp      |
| (3) Platter/rubber mat | (8) Cueing stick        |
| (4) Speed selector     | (9) Antiscating device  |
| (5) REJECT button      | (10) Stylus force gauge |
|                        | (11) Counterweight      |



### CARTRIDGE INSTALLATION

If your unit is not equipped with a cartridge, install a cartridge onto the headshell. The lead wires extending from the headshell are color-coded, as listed below. Be sure to connect each wire correctly.

Green: Right/-

Blue: Left/-

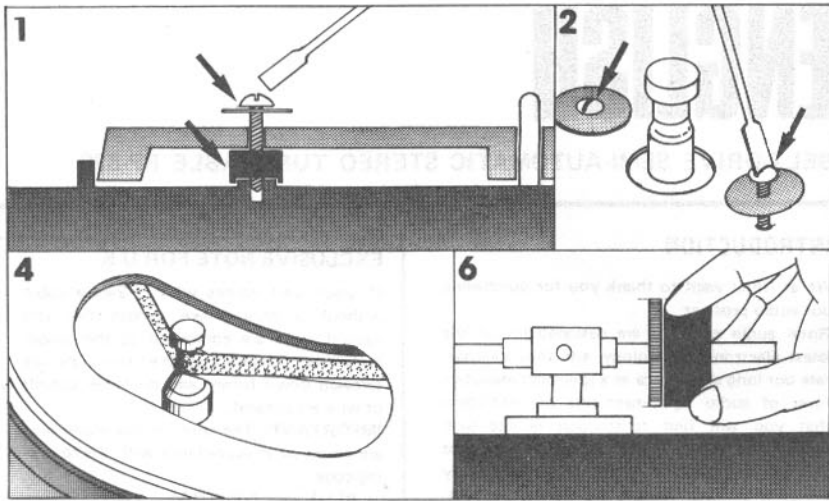
Red: Right/+

White: Left/+

Fit the cartridge into the headshell using nuts and bolts.

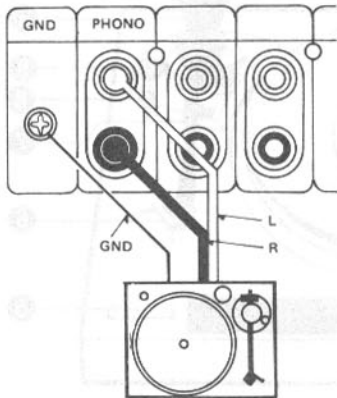
## ASSEMBLY

1. The turntable platter is fixed to the body with three transit screws. Using a Phillips-head screwdriver, remove three screws. Then lift the platter upward to detach it from the body, and remove three plastic collars.
2. Remove two transit screws that secure the motor.
3. Put the platter back in position.
4. Turn the platter by hand until you can see the capstan through the hole in the platter. Locate the belt inside the platter. Hook the belt onto the capstan with fingers.
5. Fit the rubber mat onto the platter.
6. Fit the counterweight onto the tonearm.

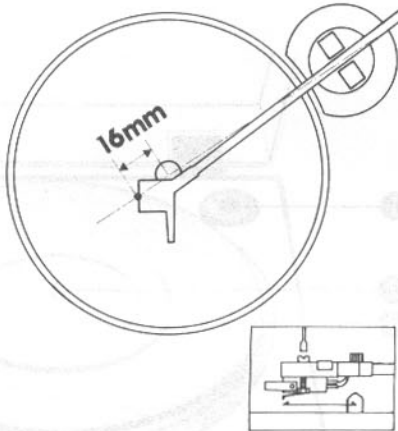


## CONNECTION TO AMPLIFIER OR RECEIVER

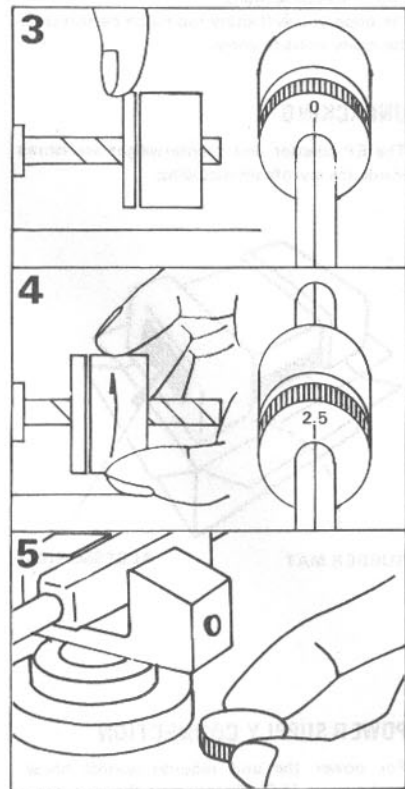
The unit is provided with RCA cords for both channels, and a ground wire. The RCA cord with white plug should be connected to L (left channel) of PHONO terminals and the cord with red plug to R (right channel) of PHONO terminals on the amplifier or receiver. Connect the ground wire to GND terminals on the amplifier or receiver.



4. After obtaining correct overhang, tighten the two cartridge mounting screws firmly.
- Note:** Be careful not to touch stylus during adjustment with fingers.



value same as the stylus force of your cartridge. Stylus force adjustment is now complete.



## OVERHANG ADJUSTMENT

- Use a rule, etc. to carry out correct adjustment.

As shown in the illustration, overhang indicates the distance from the stylus tip to the center of the turntable spindle when the stylus tip falls on the extension of a straight line from the pivot of the tonearm to the center of the spindle. If the overhang adjustment is not properly made, the stylus will not be able to trace the record grooves correctly.

1. Loosen the two cartridge mounting screws.
2. Position the tonearm over the spindle.
3. Slide the cartridge forward or backward until the position of the stylus tip corresponds to the specified distance from the center of spindle (see illustration).

## STYLUS FORCE ADJUSTMENT

Appropriate stylus force must be obtained to let the stylus trace the groove correctly. Incorrect setting of the stylus force may cause the system to skip grooves or affect the reproduced sound quality.

1. Lower the cueing stick.
2. Move the counterweight forward and backward so that the tonearm will be balanced horizontally. When balanced, the headshell is raised and the tonearm parallels the main body with the tonearm base as fulcrum. (Caution: Be careful not to drop the stylus or hit it against the platter or other objects.)
3. Return the tonearm onto the arm rest. Turn the gauge ring of the counterweight so that 0 point falls on the reference marker on the tonearm.
4. Turn the counterweight to preset the reading on the gauge to the designated stylus force of your cartridge. Do not touch the gauge ring, as it will turn with the counter weight.  
ROTEL cartridge 2RC-1 . . . . 2.5g
5. Turn and set the anti-skating knob to the

## PLAY

1. Place a record on the platter. Use the EP adaptor when playing records with a large center hole.
2. Set the speed selector to the rpm of the record to be played.
3. Release the arm rest clamp.
4. Lift the cueing stick and swing the tonearm carefully to a position directly over the lead-in groove of the record. This will start the turntable rotating.
5. Check to see that the stylus is over the record. Lower the cueing stick to start play. If you wish to stop the turntable midway through a record, press the REJECT button. The tonearm will return to the arm rest automatically and the power will go off.
6. When the play is finished, the tonearm will return to the arm rest automatically and the power will go off.

## MAINTENANCE

1. Keep the stylus tip clean of dust. Clean the stylus carefully using a soft brush, and also clean the record before commencing play.
2. The stylus tip is very sensitive. Be careful not to touch it with a finger nor let it come in contact with solid objects.
3. The stylus is usually good for about 500 to 1,000 hours of continuous playing. A worn stylus will cause the record to be distorted and the record to be damaged. Be sure to use the correct replacement stylus matching your cartridge.
4. Do not move the turntable when it is operating. Never try to stop the platter forcibly by hand while it is rotating.
5. When replacing cartridge or stylus, make sure the power cord is unplugged.
6. Lubrication is unnecessary. Consult your dealer if necessity arises.
7. Always keep the unit clean. Use a soft dry cloth to clean the cabinet and the dust cover.

## HOWLING AND HUM

Howling is usually caused by vibration of speakers, which affects the sensitive cartridge. If such a phenomenon occurs, relocate the turntable or speakers as far apart from each other as possible. Hum is usually caused by nearby appliances that use transformers or thermostat. Relocating the unit further away from the noise sources will readily solve the problem.

## SPECIFICATIONS

Motor . . . . .	.4-pole hysteresis synchronous motor
Drive System . . . . .	.Belt-drive
Speeds . . . . .	.33-1/3 and 45 rpm
Wow and Flutter . . . . .	.Less than 0.05% (WRMS)
Signal-to-Noise Ratio . . . . .	.Better than 55dB (IEC-B) .Better than 65dB (DIN-B)
Platter . . . . .	.Aluminum diecast (300mm diameter)

### TONEARM

Type . . . . .	.Static-balanced straight pipe arm, oil-damped cueing device, direct-readout stylus gauge counter-weight, anti-skating device.
Overhang . . . . .	.16mm
Tracking Error . . . . .	.+2.5° to -1.5°
Suitable Cartridge Weight . . . . .	.4g to 8g
Suitable Stylus Pressure . . . . .	.1.5g to 3g

### MISCELLANEOUS

Power Requirement . . . . .	.120V (60Hz) or 220/240V (50Hz)
Power Consumption . . . . .	.6 watts (max.)
Dimensions (overall) . . . . .	.430 (W) x 126 (H) x 388 (D) mm .16-15/16" x 4-31/32" x 15-9/32"
Weight (net) . . . . .	.3.8kg/8.36 lbs.

### CARTRIDGE: ROTEL 2RC-1-01 (OPTIONAL)

Type . . . . .	.Moving Magnet type
Frequency Response . . . . .	.20 to 25,000Hz
Output Voltage . . . . .	.3mV at 1kHz, 5cm/sec.
Channel Separation . . . . .	.26dB at 1kHz
Load Impedance . . . . .	.47 kohms
Dynamic Compliance . . . . .	.8 x 10 <sup>-6</sup> cm/dyne
Stylus Force Range . . . . .	.1.5 to 2.5g
Suitable Stylus Force . . . . .	.2.5g
Stylus Tip . . . . .	.0.5 mil diamond (round)
Cartridge Weight . . . . .	.5.7g
Replacement Stylus Tip . . . . .	.RN-1-01 (round)

- Specifications subject to change for improvement without prior notice.

## Free Manuals Download Website

<http://myh66.com>

<http://usermanuals.us>

<http://www.somanuals.com>

<http://www.4manuals.cc>

<http://www.manual-lib.com>

<http://www.404manual.com>

<http://www.luxmanual.com>

<http://aubethermostatmanual.com>

Golf course search by state

<http://golfingnear.com>

Email search by domain

<http://emailbydomain.com>

Auto manuals search

<http://auto.somanuals.com>

TV manuals search

<http://tv.somanuals.com>