

# owner's manual



Quality. Uncompromised.

# ROTEL<sup>®</sup>

# RP-850

BELT-DRIVE  
STEREO TURNTABLE

ENGLISH .....	1	ITALIANO .....	16
DEUTSCH .....	4	SVENSKA .....	19
FRANÇAIS .....	7	SUOMI .....	22
NEDERLANDS .....	10	DANSK .....	25
ESPAÑOL .....	13	NORSK .....	28

**WARNING**  
TO PREVENT FIRE OR SHOCK HAZARD,  
DO NOT EXPOSE THIS APPLIANCE TO  
RAIN OR MOISTURE

Write your SERIAL NUMBER here.  
The number is located near the name  
plate on the rear panel.

# ENGLISH

## BELT-DRIVE STEREO TURNTABLE RP-850

### INTRODUCTION

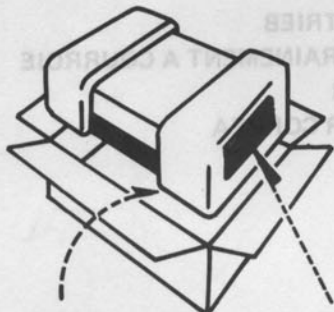
We at Rotel want to thank you for purchasing our audio product.

Rotel audio products are designed to use the latest electronic technology, and they incorporate our long experience as a specialist manufacturer of audio equipment. We are confident that you will find satisfaction in the high quality sound and top performance, and that you will find pleasure in the functional beauty achieved through human-engineering concept. Before starting operation, please read this instruction manual thoroughly and acquaint yourself with the proper mode of using the unit and all its connections.

We hope you will enjoy top-notch performance for many years to come.

### UNPACKING

Cartridge mounting screws, counterweight, and hinges for dustcover are packed inside the styrofoam molding. Platter and rubber mat are packaged separately and placed beneath the body of the unit.

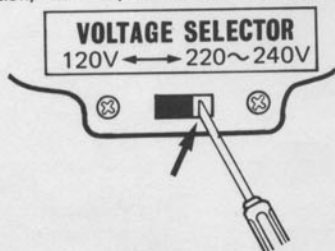


TURNTABLE PLATTER AND RUBBER MAT ACCESSORIES

### POWER SUPPLY CONNECTION

For power the unit requires normal household current (AC). Simply plug the unit into a wall outlet, or your amplifier's (or receiver's) convenience receptacle on the rear panel. If it is plugged to a convenience receptacle marked "SWITCHED," you cannot operate the unit when the power switch on the amplifier or receiver is set to OFF.

**Note:** The unit has been factory-adjusted to the voltage of area it is shipped to. As a precaution, however, locate the Voltage Selector



(120V/220-240V) on the upper side of the unit, and check to be sure the selector is set to the voltage of your area. If it is not, change the selector position, using a screwdriver.

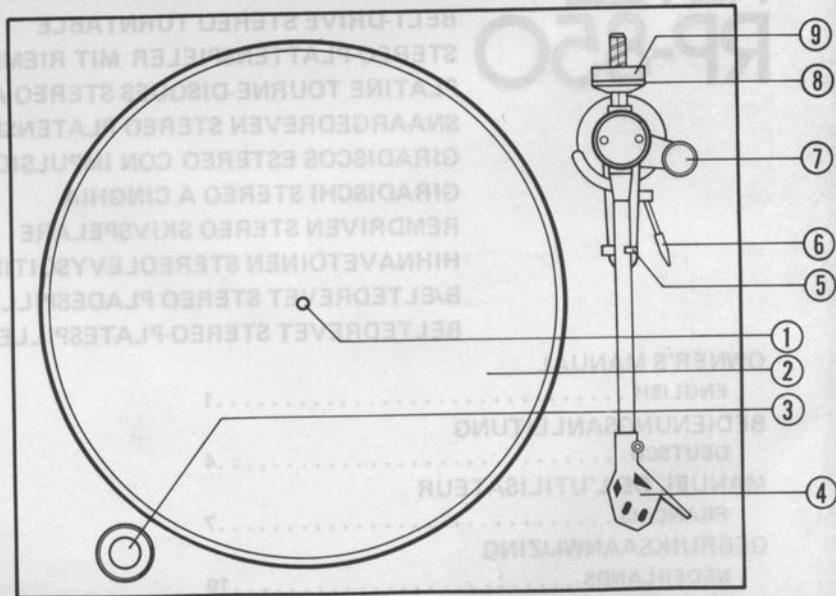
### INSTALLATION

To prevent hum, do not place the unit near appliances with motors or large transformers. Be sure the unit's location is not subject to high temperature, humidity, or direct sunlight, to prevent possible troubles.

Vibration or tilted installation will impede good performance of the turntable and the stylus will skip grooves.

### PART NAMES

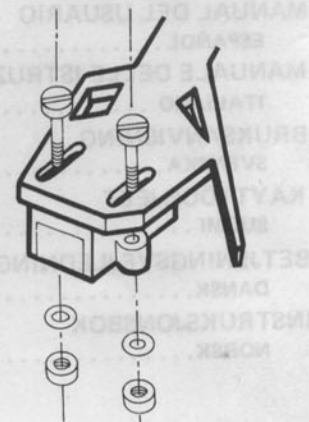
- |                        |                        |
|------------------------|------------------------|
| (1) Turntable spindle  | (6) Cueing stick       |
| (2) Platter/rubber mat | (7) Antiscating device |
| (3) Power button       | (8) Stylus force gauge |
| (4) Headshell/tonerarm | (9) Counterweight      |
| (5) Arm rest/clamp     |                        |



### CARTRIDGE INSTALLATION

The unit accepts a cartridge of 3 - 9 grams weight. Install an appropriate cartridge onto the headshell, using the screws, nuts, and washers supplied for that purpose. If these screws do not fit your cartridge, use screws accompanying the cartridge or obtain the proper ones commercially. The lead wires extending from the headshell are color-coded, as listed below. Be sure to connect each wire correctly.

- Green: Right/-
- Blue: Left/-
- Red: Right/+
- White: Left/+



### EXCLUSIVE NOTE FOR U.K.

If your unit comes with a 2-core cable without a plug, make certain live and neutral leads are connected to the proper terminals. Check that the terminals are screwed down firmly and no loose strands of wire are present.

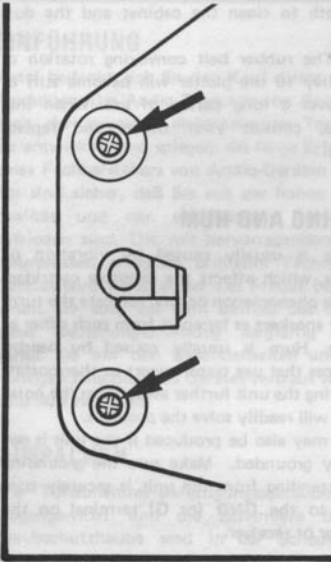
**IMPORTANT:** The wires in this mains lead are coloured in accordance with the following code:

- BLUE: NEUTRAL
- BROWN: LIVE

As the colours of the wires in the mains lead of this apparatus may not correspond with the coloured markings identifying the terminals in your plug proceed as follows. The wire which is coloured BLUE must be connected to the terminal which is marked with the letter N or coloured BLUE or BLACK. The wire which is coloured BROWN must be connected to the terminal which is marked with the letter L or coloured BROWN or RED.

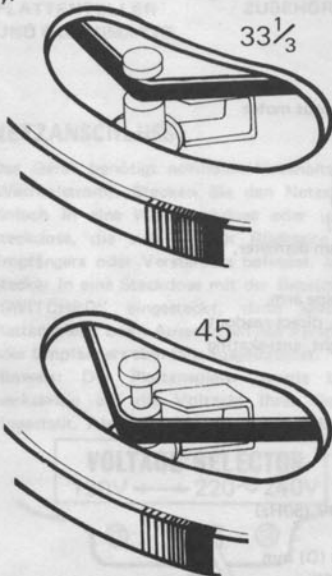
## ASSEMBLY

1. The motor section of the unit is temporarily secured with 2 transit screws to prevent vibration or shock damage during transit. Using a Phillips-head screwdriver, remove these screws. Keep the screws with the owner's manual and use again when transporting the unit in the future.



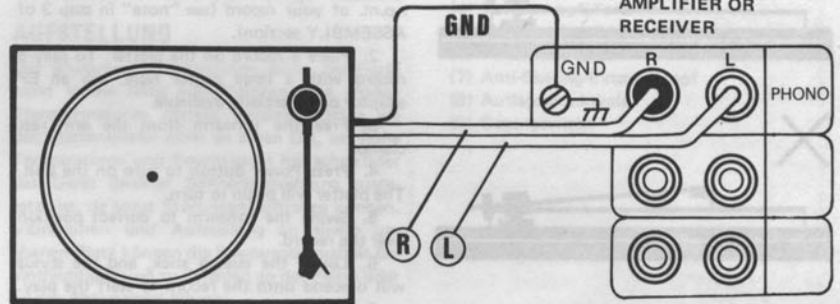
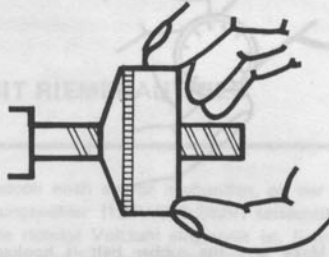
2. Hold the platter with the plane side up, and fit the spindle through the platter center hole to attach to body.

3. Turning the platter by hand, locate the pulley through one of the holes in the platter. Hook the attached rubber belt onto the pulley. **Note:** On this unit, change r.p.m. (33-1/3 or 45) by manually rehooking the rubber belt. For 33-1/3 r.p.m., hook the belt onto the upper groove of the pulley so that the belt runs above the belt guide; for 45 r.p.m., hook the belt onto the base of the pulley so that the belt runs below the belt guide. After hooking the belt, manually rotate the platter 2 to 3 turns, and the rubber belt will fit into the pulley smoothly.



4. Lay the round rubber mat on the platter.

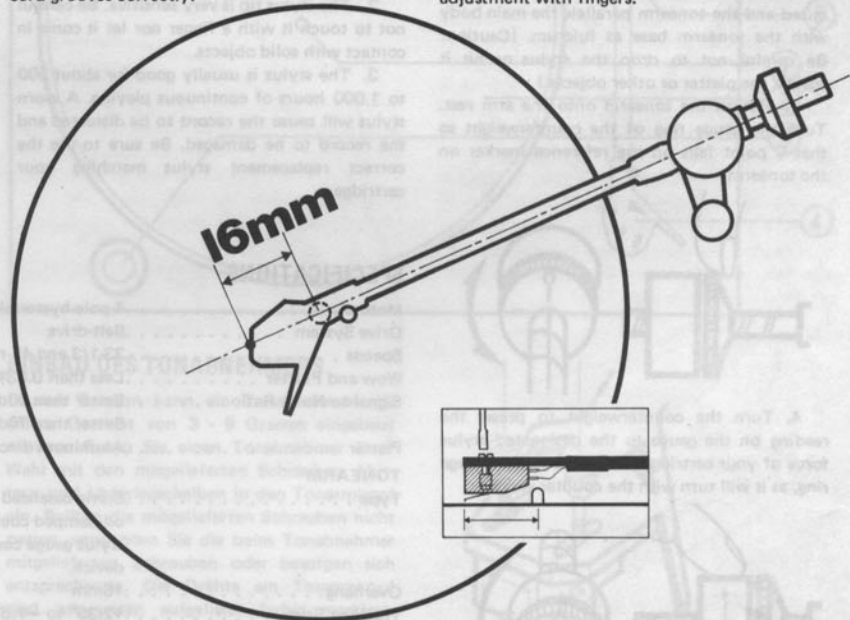
5. Fit the counterweight into the tonearm, with the stylus force gauge side facing front.



## OVERHANG ADJUSTMENT

• Use a rule, etc. to carry out correct adjustment.

As shown in the illustration, overhang indicates the distance from the stylus tip to the center of the turntable spindle when the stylus tip falls on the extension of a straight line from the pivot of the tonearm to the center of the spindle. If the overhang adjustment is not properly made, the stylus will not be able to trace the record grooves correctly.



## TONEARM HEIGHT ADJUSTMENT

If the tonearm is not completely parallel to the record surface, the cartridge will not perform properly, affecting stereo separation and/or frequency response. On this unit, the tonearm can be adjusted to obtain correct parallel alignment. Adjust tonearm with your cartridge attached.

1. Place a record on the platter.

## CONNECTION TO AMPLIFIER OR RECEIVER

The unit is provided with RCA cords for both channels, and a ground wire. The RCA cord with white plug should be connected to L (left channel) of PHONO terminals and the cord with red plug to R (right channel) of PHONO terminals on the amplifier or receiver. Connect the ground wire to GND terminals on the amplifier or receiver.

1. Loosen the two cartridge mounting screws.

2. Position the tonearm over the spindle.

3. Slide the cartridge forward or backward until the position of the stylus tip corresponds to the specified distance from the center of spindle (see illustration).

4. After obtaining correct overhang, tighten the two cartridge mounting screws firmly.

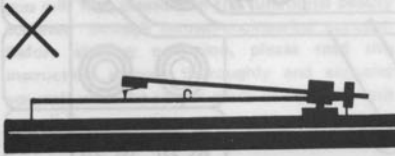
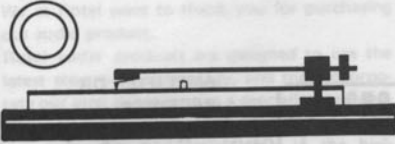
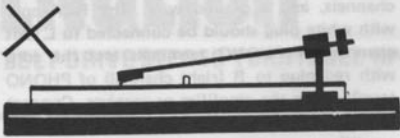
**Note:** Be careful not to touch stylus during adjustment with fingers.

2. Locate the hexagonal socket-screw at the back of the tonearm base. Using a standard hexagonal wrench, turn the screw counterclockwise to loosen it. Be careful not to let the stylus fall onto the record or come into contact with any object.

3. Place the stylus on the record, and adjust the tonearm height until the tonearm is parallel

to the record surface.

4. Secure the hexagonal socket-screw, turning it clockwise with the wrench.



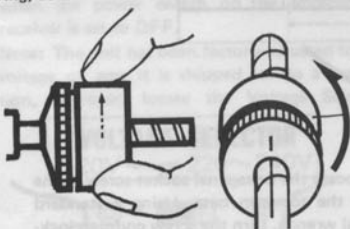
## STYLUS FORCE ADJUSTMENT

Appropriate stylus force must be obtained to let the stylus trace the groove correctly. Incorrect setting of the stylus force may cause the system to skip grooves or affect the reproduced sound quality.

1. Set the antiskating knob to 0 position. Lower the cueing stick, and release the tonearm from the arm rest.
2. Move the counterweight forward and backward so that the tonearm will be balanced horizontally. When balanced, the headshell is raised and the tonearm parallels the main body with the tonearm base as fulcrum. (Caution: Be careful not to drop the stylus or hit it against the platter or other objects.)
3. Return the tonearm onto the arm rest. Turn the gauge ring of the counterweight so that 0 point falls on the reference marker on the tonearm.



4. Turn the counterweight to preset the reading on the gauge to the designated stylus force of your cartridge. Do not touch the gauge ring, as it will turn with the counter weight.



5. Turn and set the anti-skating knob to the value same as the stylus force of your cartridge. Stylus force adjustment is now complete.



## PLAY

1. Make sure the rubber belt is hooked onto appropriate position on the pulley for the r.p.m. of your record (see "note" in step 3 of ASSEMBLY section).
2. Place a record on the platter. To play a record with a large center hole, use an EP adaptor commercially available.
3. Free the tonearm from the arm rest clamp.
4. Press Power button to turn on the unit. The platter will begin to turn.
5. Swing the tonearm to correct position over the record.
6. Lower the cueing stick, and the stylus will descend onto the record to start the play.
7. When the play is finished, or when you wish to interrupt the play midway through the record, lift the cueing stick. Return the tonearm to the arm rest, and secure it with the arm rest clamp. Press the Power button to turn off the unit, and the platter will stop turning.

## MAINTENANCE

1. Keep the stylus tip clean of dust. Clean the stylus carefully using a soft brush, and also clean the record before commencing play.
2. The stylus tip is very sensitive. Be careful not to touch it with a finger nor let it come in contact with solid objects.
3. The stylus is usually good for about 500 to 1,000 hours of continuous playing. A worn stylus will cause the record to be distorted and the record to be damaged. Be sure to use the correct replacement stylus matching your cartridge.

## SPECIFICATIONS

Motor	.4-pole hysteresis synchronous motor
Drive System	.Belt-drive
Speeds	.33-1/3 and 45 rpm
Wow and Flutter	.Less than 0.03% (WRMS)
Signal-to-Noise Ratio	.Better than 60dB (IEC-B) Better than 70dB (DIN-B)
Platter	.Aluminum diecast (310mm diameter, 1.5kg)

## TONEARM

Type	.Static-balanced straight pipe arm, oil-damped cueing device, direct-readout stylus gauge counter-weight, anti-skating device.
Overhang	.16mm
Tracking Error	.+2.35° to -1.3°
Suitable Cartridge Weight	.3g to 9g
Suitable Stylus Pressure	.0.5g to 3g

## MISCELLANEOUS

Power Requirement	.120V (60Hz) or 220/240V (50Hz)
Power Consumption	.8 watts
Dimensions (overall)	.432 (W) x 135 (H) x 350 (D) mm 17" x 5-5/16" x 13-25/32"
Weight (net)	.10.7kg/23.5 lbs.

- Specifications subject to change for improvement without prior notice.

4. Do not move the turntable when it is operating.

Never try to stop the platter forcibly by hand while it is rotating.

5. When replacing cartridge or stylus, make sure the power cord is unplugged.

6. Lubrication is unnecessary. Consult your dealer if necessity arises.

7. Always keep the unit clean. Use a soft dry cloth to clean the cabinet and the dust cover.

8. The rubber belt conveying rotation of the pulley to the platter will become stiff or loose over a long period of use. When that happens, consult your dealer and replace the belt.

## HOWLING AND HUM

Howling is usually caused by vibration of speakers, which affects the sensitive cartridge. If such a phenomenon occurs, relocate the turntable or speakers as far apart from each other as possible. Hum is usually caused by nearby appliances that use transformers or thermostats. Relocating the unit further away from the noise sources will readily solve the problem.

A hum may also be produced if the unit is not properly grounded. Make sure the grounding wire extending from the unit is securely connected to the GND (or G) terminal on the amplifier or receiver.

## Free Manuals Download Website

<http://myh66.com>

<http://usermanuals.us>

<http://www.somanuals.com>

<http://www.4manuals.cc>

<http://www.manual-lib.com>

<http://www.404manual.com>

<http://www.luxmanual.com>

<http://aubethermostatmanual.com>

Golf course search by state

<http://golfingnear.com>

Email search by domain

<http://emailbydomain.com>

Auto manuals search

<http://auto.somanuals.com>

TV manuals search

<http://tv.somanuals.com>