

**IMPORTANT:**  
Read Before Using

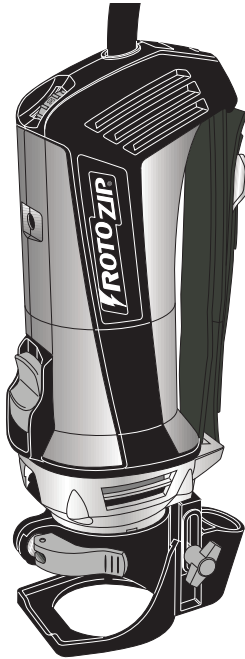
**IMPORTANT :**  
Lire avant usage

**IMPORTANTE:**  
Leer antes de usar



**Operating/Safety Instructions**  
**Consignes de fonctionnement/sécurité**  
**Instrucciones de funcionamiento y seguridad**

**RZ2000**



2610001563



Call Toll Free for  
Consumer Information  
& Service Locations

Pour obtenir des informations  
et les adresses de nos centres  
de service après-vente,  
appelez ce numéro gratuit

Llame gratis para  
obtener información  
para el consumidor y  
ubicaciones de servicio

**1-877-ROTOZIP (1-877-768-6947) [www.rotozip.com](http://www.rotozip.com)**

For English Version  
See page 2

Version française  
Voir page 24

Versión en español  
Ver la página 46

## General Power Tool Safety Warnings

**▲ WARNING** Read all safety warnings and instructions. Failure to follow the warnings and instructions may result in electric shock, fire and/or serious injury.

### SAVE ALL WARNINGS AND INSTRUCTIONS FOR FUTURE REFERENCE

The term "power tool" in all of the warnings refers to your mains-operated (corded) power tool or battery-operated (cordless) power tool.

#### Work area safety

**Keep work area clean and well lit.** Cluttered or dark areas invite accidents.

**Do not operate power tools in explosive atmospheres, such as in the presence of flammable liquids, gases or dust.** Power tools create sparks which may ignite the dust or fumes.

**Keep children and bystanders away while operating a power tool.** Distractions can cause you to lose control.

#### Electrical safety

**Power tool plugs must match the outlet. Never modify the plug in any way. Do not use any adapter plugs with earthed (grounded) power tools.** Unmodified plugs and matching outlets will reduce risk of electric shock.

**Avoid body contact with earthed or grounded surfaces such as pipes, radiators, ranges and refrigerators.** There is an increased risk of electric shock if your body is earthed or grounded.

**Do not expose power tools to rain or wet conditions.** Water entering a power tool will increase the risk of electric shock.

**Do not abuse the cord. Never use the cord for carrying, pulling or unplugging the power tool. Keep cord away from heat, oil, sharp edges or moving parts.** Damaged or entangled cords increase the risk of electric shock.

**When operating a power tool outdoors, use an extension cord suitable for outdoor use.** Use of a cord suitable for outdoor use reduces the risk of electric shock.

**If operating the power tool in damp locations is unavoidable, use a Ground Fault Circuit Interrupter (GFCI) protected supply.** Use of an GFCI reduce the risk of electric shock.

#### Personal safety

**Stay alert, watch what you are doing and use common sense when operating a**

**power tool. Do not use a power tool while you are tired or under the influence of drugs, alcohol or medication.** A moment of inattention while operating power tools may result in serious personal injury.

**Use personal protective equipment. Always wear eye protection.** Protective equipment such as dust mask, non-skid safety shoes, hard hat, or hearing protection used for appropriate conditions will reduce personal injuries.

**Prevent unintentional starting. Ensure the switch is in the off-position before connecting to power source and / or battery pack, picking up or carrying the tool.** Carrying power tools with your finger on the switch or energizing power tools that have the switch on invites accidents.

**Remove any adjusting key or wrench before turning the power tool on.** A wrench or a key left attached to a rotating part of the power tool may result in personal injury.

**Do not overreach. Keep proper footing and balance at all times.** This enables better control of the power tool in unexpected situations.

**Dress properly. Do not wear loose clothing or jewelry. Keep your hair, clothing and gloves away from moving parts.** Loose clothes, jewelry or long hair can be caught in moving parts.

**If devices are provided for the connection of dust extraction and collection facilities, ensure these are connected and properly used.** Use of dust collection can reduce dust-related hazards.

#### Power tool use and care

**Do not force the power tool. Use the correct power tool for your application.** The correct power tool will do the job better and safer at the rate for which it was designed.

**Do not use the power tool if the switch does not turn it on and off.** Any power tool that cannot be controlled with the switch is dangerous and must be repaired.



**Disconnect the plug from the power source and/or the battery pack from the power tool before making any adjustments, changing accessories, or storing power tools.** Such preventive safety measures reduce the risk of starting the power tool accidentally.

**Store idle power tools out of the reach of children and do not allow persons unfamiliar with the power tool or these instructions to operate the power tool.** Power tools are dangerous in the hands of untrained users.

**Maintain power tools. Check for misalignment or binding of moving parts, breakage of parts and any other condition that may affect the power tool's operation. If damaged, have the power tool repaired before use.** Many accidents are caused by poorly maintained power tools.

**Keep cutting tools sharp and clean.** Properly maintained cutting tools with sharp cutting edges are less likely to bind and are easier to control.

**Use the power tool, accessories and tool bits etc. in accordance with these instructions, taking into account the working conditions and the work to be performed.** Use of the power tool for operations different from those intended could result in a hazardous situation.

### Service

**Have your power tool serviced by a qualified repair person using only identical replacement parts.** This will ensure that the safety of the power tool is maintained.

## Additional Safety Warnings

GFCI and personal protection devices like electrician's rubber gloves and footwear will further enhance your personal safety.

**Do not use AC only rated tools with a DC power supply.** While the tool may appear to work, the electrical components of the AC rated tool are likely to fail and create a hazard to the operator.

**Keep handles dry, clean and free from oil and grease.** Slippery hands cannot safely control the power tool.

**Use clamps or other practical way to secure and support the workpiece to a stable platform.** Holding the work by hand or against your body is unstable and may lead to loss of control.

**Develop a periodic maintenance schedule for your tool. When cleaning a tool be careful not to disassemble any portion of the tool since internal wires may be misplaced or pinched or safety guard return springs may be improperly mounted.** Certain cleaning agents such as gasoline, carbon tetrachloride, ammonia, etc. may damage plastic parts.

Risk of injury to user. The power cord must only be serviced by a Rotozip Factory Service Center or Authorized Rotozip Service Station.

**⚠ WARNING** **Some dust created by power sanding, sawing, grinding, drilling, and other construction activities contains chemicals known to cause cancer, birth defects or other reproductive harm. Some examples of these chemicals are:**

- Lead from lead-based paints,
- Crystalline silica from bricks and cement and other masonry products, and
- Arsenic and chromium from chemically-treated lumber.

Your risk from these exposures varies, depending on how often you do this type of work. To reduce your exposure to these chemicals: work in a well ventilated area, and work with approved safety equipment, such as those dust masks that are specially designed to filter out microscopic particles.

## Spiral Saw Safety Rules

**Hold tool by insulated gripping surfaces when performing an operation where the cutting tool may contact hidden wiring or its own cord.** Contact with a "live" wire will make exposed metal parts of the tool "live" and shock the operator. *If cutting into existing walls or other blind areas where electrical wiring may exist is unavoidable, disconnect all fuses or circuit breakers feeding this worksite.*

**Always make sure the work surface is free from nails and other foreign objects.** Cutting into a nail can cause the bit and the tool to jump and damage the bit.

**Never hold the workpiece in one hand and the tool in the other hand when in use. Never place hands near or below cutting surface.** Clamping the material and guiding the tool with both hands is safer.

**Never lay workpiece on top of hard surfaces, like concrete, stone, etc...** Protruding cutting bit may cause tool to jump.

**Always wear safety goggles and dust mask. Use only in well ventilated area.** Using personal safety devices and working in safe environment reduces risk of injury.

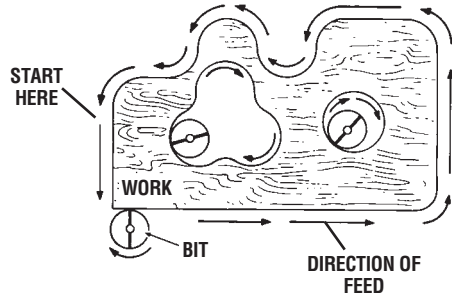
**After changing the bits or making any adjustments, make sure the collet nut and any other adjustment devices are securely tightened.** Loose adjustment device can unexpectedly shift, causing loss of control, loose rotating components will be violently thrown.

**Never start the tool when the bit is engaged in the material.** The bit cutting edge may grab the material causing loss of control of the cutter.

**Always hold the tool with two hands during start-up.** The reaction torque of the motor can cause the tool to twist.

**When routing or cutting, the direction of feed with the bit's cutting edge into the material is very important. Always feed the bit into the material in the same direction as the cutting edge is exiting**

**from the material.** When viewing the tool from the top, the bit rotates clockwise. If the tool is between the workpiece and your body, then feed the tool to your right. If the workpiece is between the tool and your body, then feed the tool to your left. Feeding the tool in the wrong direction causes the cutting edge of the bit to climb out of the work and pull the tool in the direction of this feed.



**Never use dull or damaged bits. Sharp bits must be handled with care.** Damaged bits can snap during use. Dull bits require more force to push the tool, possibly causing the bit to break.

**Never touch the bit during or immediately after the use.** After use the bit is too hot to be touched by bare hands.

**Never lay the tool down until the motor has come to a complete standstill.** The spinning bit can grab the surface and pull the tool out of your control.

**Never use bits that have a cutting diameter greater than the opening in the base.**

**Do not use the tool for drilling purposes.** This tool is not intended to be used with drill bits.

**Always use the tool with the depth guide securely attached and positioned flat against material being cut.** The guide securely positioned on the material improves the stability and control of your tool.



## Zipmate Abrasive Cut-Off Attachment Safety Rules

**Always use wheel guard, and the Zipmate's auxiliary handle with this abrasive cut off tool. The guard must always be securely attached to the tool and positioned for maximum safety, so the least amount of wheel is exposed on the operators side of the tool.** A guard protects operator from broken wheel fragments. The support ribs and auxiliary handle provide additional guarding, stability and control in cut off applications. The body of your Rotozip tool can also be used as a handle.

**Always be certain that the wheel guard, and Zipmate's auxiliary handle are reassembled and securely fastened to the tool when changing the point of operation from fire forward to fire reverse or after changing the wheels.** A tool missing an essential safety component is dangerous to operate.

**Wear proper apparel while using an abrasive cut off tool.** Face shield or at least safety goggles, dust mask, leather gloves and shop apron capable of stopping small wheel or workpiece fragments.

**This attachment is not intended to be used with Wet Diamond Wheels.** Using water or other liquid coolants with this tool may result in electrocution or shock. Use of Dry Diamond Wheels is acceptable.

**Use only Type 1 abrasive cut off wheels with the correct size arbor hole. Never use damaged or incorrect wheel flanges or round nut.** Other types of wheels are not intended to apply load on periphery and may shatter. Wheels with arbor holes that do not match the mounting hardware of the tool will run eccentrically, vibrate excessively and will cause loss of control.

**Do not grind on the side of Type 1 abrasive cut off wheels.** Side forces applied to these wheels may cause them to shatter.

**Do not use this attachment with "Woodcarving" blade or standard wood cutting toothed blades.** These blades are not intended for this tool and can create loss of control during use.

**Abrasive Cut Off Wheels must have a maximum safe operating speed greater than the "no load RPM" marked on the attachment.** Wheels running over the rated speed can fly apart and cause injury.

**Before each use inspect the cut off wheel for chips and cracks. Do not use a wheel that may be damaged. Install a new wheel if tool was dropped. When installing a new wheel carefully handle individual cut off wheels to avoid chipping or cracking. Run the tool at no load for one minute, holding the tool in the direction away from people. Wheels with flaws will normally break apart during this time.** Fragments from a wheel that bursts during operation will fly away at great velocity possibly striking you or bystanders.

**Do not use a cut off wheel that is larger than the maximum recommended size for your tool, or worn down damaged wheels from larger abrasive cut off tools.** Wheels intended for larger tools are not suitable for the higher speed of a smaller tool, these wheels may easily burst and the fragments strike you or bystanders.

**Position the cord clear of the spinning wheel. Do not wrap the cord around your arm or wrist.** If you lose control and have the cord wrapped around your arm or wrist, it may entrap you and cause injury.

**Keep your body positioned to either side of the wheel, but not in line with the wheel.** It is important to support the tool properly and to position your body such as to minimize body exposure from the possible wheel binding and the recoil of the tool.

**Keep hands away from cutting area and wheel. Keep your second hand on auxiliary handle. Hold the tool firmly to prevent loss of control. NEVER place your hand behind the wheel since the tool may recoil over your hand. Do not attempt to remove cut material when wheel is moving.** If both hands are holding the tool, they cannot be cut by the wheel

**Do not "jam" the abrasive wheel into the work, apply excessive pressure or attempt to use large depths of cut while using this tool.** Let the rotating wheel do the work, Abrasive Cut Off Tools are intended to "cut" the material in a series of shallow depth of cuts. See the instructions for depth of cut later in this manual.

**Avoid bouncing and snagging the wheel, especially when working corners, sharp edges etc.** This can cause loss of control and tool's recoil.



**Do not run the tool while carrying it at your side.** Accidental contact with the spinning wheel could result in serious personal injury.

**Never lay the tool down until the motor has come to a complete standstill.** The spinning wheel can grab the surface and pull the tool out of your control.

**Do not use the Zipmate near flammable materials.** Sparks from the wheel could ignite these materials.

**Never cut or attempt to cut magnesium with this attachment.** The dust generated when cutting magnesium is highly flammable and may be explosive under certain conditions.

**Regularly clean the tool's air vents by compressed air.** Excessive accumulation of powdered metal inside the motor housing may cause electrical failures.

### Causes and Operator Prevention of Recoil:

*Recoil is a sudden reaction to a pinched, bound or misaligned rotating wheel. The wheel may stall and cause an uncontrolled tool to back out of the kerf toward the operator when the tool is in the "fire forward" position, if the tool is set in the "reverse fire" position the tool may tend to walk away from the operator. The rotation direction arrow located on the back side of the guard can be used to identify the "fire forward" and "reverse fire" positions. The attachment is in the fire forward position when the directional arrow points toward the operator, and it is in the reverse fire position when the arrow is pointing away from the operator.*

*If an abrasive wheel or diamond wheel becomes twisted or misaligned in the cut, the side of the wheel that is entering into the*

*material can dig into the top surface of the material causing the wheel to climb out or recoil out of the kerf either toward or away from the operator, depending on the fire forward or reverse fire orientation.*

*Abrasive wheels may also shatter under these conditions causing pieces or fragments to strike or impale the operator and bystanders. Recoil or shattered wheels are the result of tool misuse and/or incorrect operating procedures or conditions and can be avoided by taking proper precautions as given below:*

**Maintain a firm grip with both hands on the tool handles and position your body and arm to allow you to resist recoil forces.** Recoil forces can be controlled by the operator, if proper precautions are taken.

**When wheel is binding, or when interrupting a cut for any reason, slowly ease the wheel out of the material while maintaining a firm grip on the tool and auxiliary handle with both hands.** Investigate and take corrective action to eliminate the cause of wheel binding.

**When restarting a tool in a workpiece, center the wheel in the kerf and check that the sides of the wheel are not engaged into the material.** If wheel is binding, it may walk up or recoil from the workpiece as the tool is restarted.

**Support large panels to minimize the risk of wheel pinching and recoil.** Large panels tend to sag under their own weight. Supports must be placed under the panel on both sides, near the line of cut and near the edge of the panel.

**Use extra caution when making a "Pocket Cut" into existing walls or other blind areas.** The protruding wheel may cut objects that can cause recoil.

## Jigsaw Handle Attachment Safety Rules

**⚠ WARNING** Do not use any router bit with a cutting diameter larger than 1/4" with the Jigsaw Handle Attachment.



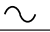

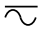




**⚠ WARNING** When using a 1/4" shank bit or any router bit with the Jigsaw Handle Attachment, the collet nut must be tightened using the supplied wrench. Finger tight is not sufficient for router bits.

**⚠ WARNING** Indicate direction of rotation of the bit. When viewing from above, DOR is CW. When viewed from the end of the bit, DOR is CCW.

**⚠ WARNING** Before doing any work with the Jig Saw Attachment, tighten the depth adjust screw tightly.

## Symbols

**IMPORTANT:** Some of the following symbols may be used on your tool. Please study them and learn their meaning. Proper interpretation of these symbols will allow you to operate the tool better and safer.

Symbol	Name	Designation/Explanation
V	Volts	Voltage (potential)
A	Amperes	Current
Hz	Hertz	Frequency (cycles per second)
W	Watt	Power
kg	Kilograms	Weight
min	Minutes	Time
s	Seconds	Time
∅	Diameter	Size of drill bits, grinding wheels, etc.
$n_0$	No load speed	Rotational speed, at no load
.../min	Revolutions or reciprocation per minute	Revolutions, strokes, surface speed, orbits etc. per minute
0	Off position	Zero speed, zero torque...
1, 2, 3, ... I, II, III,	Selector settings	Speed, torque or position settings. Higher number means greater speed
0 	Infinitely variable selector with off	Speed is increasing from 0 setting
	Arrow	Action in the direction of arrow
	Alternating current	Type or a characteristic of current
	Direct current	Type or a characteristic of current
	Alternating or direct current	Type or a characteristic of current
	Class II construction	Designates Double Insulated Construction tools.
	Earthing terminal	Grounding terminal
	Warning symbol	Alerts user to warning messages
	Li-ion RBRC seal	Designates Li-ion battery recycling program



This symbol designates that this tool is listed by Underwriters Laboratories.



This symbol designates that this tool is listed by the Canadian Standards Association, to United States and Canadian Standards.



This symbol designates that this tool is listed by the Canadian Standards Association.



This symbol designates that this tool is listed by Underwriters Laboratories, to United States and Canadian Standards.



This symbol designates that this tool is listed by the Intertek Testing Services, to United States and Canadian Standards.



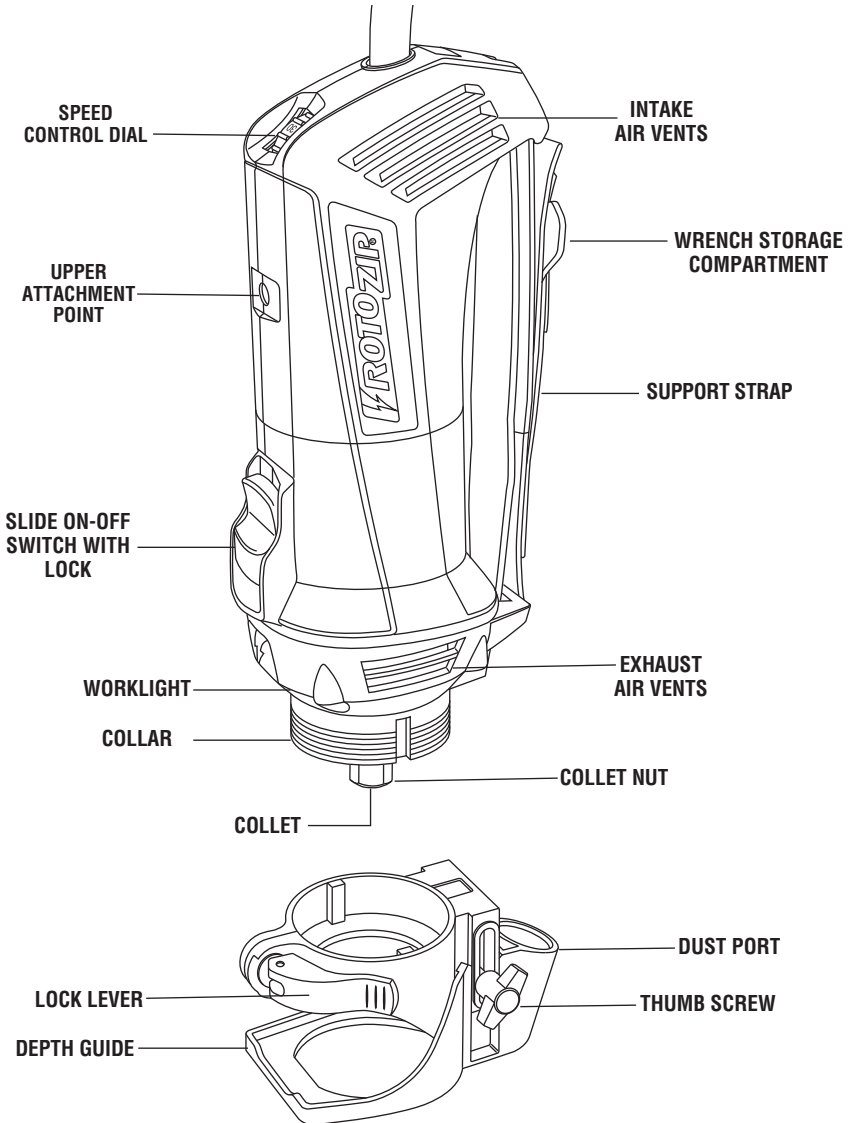
This symbol designates that this tool complies to NOM Mexican Standards.

## Functional Description and Specifications

**⚠ WARNING** Disconnect the plug from the power source before making any assembly, adjustments or changing accessories. Such preventive safety measures reduce the risk of starting the tool accidentally.

### Spiral Saw™

FIG. 1



**NOTE:** For tool specifications refer to nameplate on your tool.



## Assembly

**⚠ WARNING** Disconnect the plug from the power source before making any assembly, adjustments or changing accessories. Such preventive safety measures reduce the risk of starting the tool accidentally. Make certain that the collet nut is securely tightened before turning the tool on.

### REMOVING AND INSTALLING THE DEPTH GUIDE ASSEMBLY

The depth guide assembly consists of the depth guide, locking screw and bracket.

In order to remove the depth guide from the tool, release the locking lever and pull the entire assembly straight off of the tool. To reattach the assembly, fully replace the guide onto the tool collar and lock the clamp lever (Fig. 1).

### INSTALLING BITS

The bits are held by a collet system. Use either the 1/8" (.125"), 1/4" (.250") or 5/32" (.156") collet depending on the size of the bit shank.

**⚠ WARNING** The bit flutes are sharp and should be handled with caution.

Depress and hold the shaft-lock in and rotate the collet nut and shaft until the shaft-lock engages and holds the shaft.

**⚠ CAUTION** To prevent damage to tool. Never use the shaft lock as a braking device to stop the tool from rotating.

Use the standard equipment wrench to loosen nut (counter-clockwise) (Fig. 2). Remove the old bit (if there is one) insert the new bit as far in as possible, but not so far that the bit flutes engage the collet (leave

approximately 1/8" of shank exposed) Re-engage the shaft-lock and tighten the nut (clockwise) by hand and then with the wrench until bit is held securely.

### CHANGING THE COLLET

The 1/8" collet is used with 1/8" diameter bits, the 1/4" collet is used with 1/4" diameter bits and the 5/32" collet is used with 5/32" diameter bits. To change collets, first remove the bit. Continue to loosen and unscrew the collet nut until you can remove it from the tool. Remove the collet and replace it with the other (Fig. 3). (Each collet is double-ended, and either end is acceptable to use.) By hand, re-tighten the collet nut around the collet in a clockwise direction. You are now ready to insert a new bit as instructed in Installing Bits (Fig. 2).

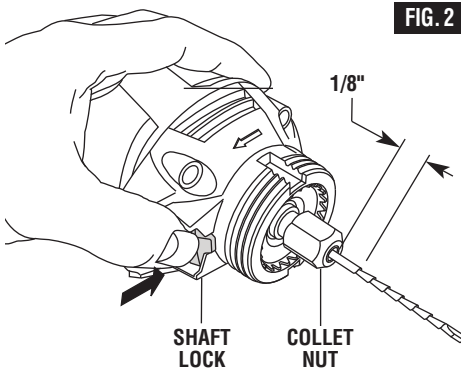


FIG. 2

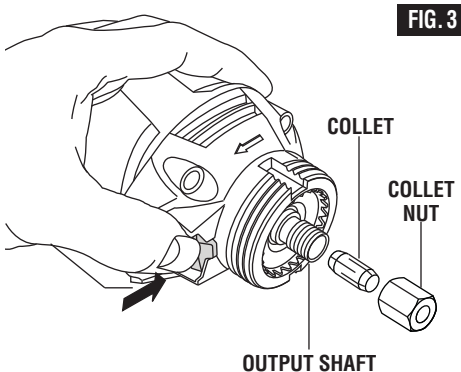
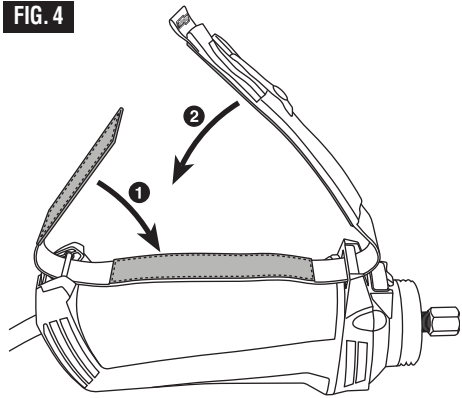


FIG. 3

### INSTALLING THE SUPPORT STRAP

With the wrench storage pocket facing down, thread the end of the strap opposite the Rotozip® logo through the post near the front of the tool as shown. Continue to thread the strap through the rear post near the cord. Fold the back flap over first (1), then fold the end with the Rotozip® logo (2) as shown in figure 4. Press firmly to ensure the strap is secured.



## Operating Instructions

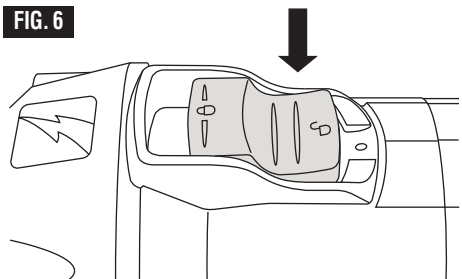
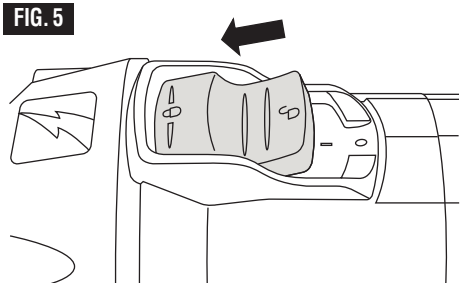
### SLIDE ON-OFF SWITCH WITH LOCK

The tool is switched "ON" by the switch button located at the side of the motor housing (Fig. 5). The switch can be locked in the "ON" position, a convenience for long cutting operations.

TO TURN THE TOOL "ON" without locking it, slide the switch button forward by applying pressure ONLY at the REAR portion of the button. When pressure is released the switch button will snap to "OFF" position.

TO LOCK THE SWITCH "ON", slide the switch button forward and press "IN" the FRONT portion.

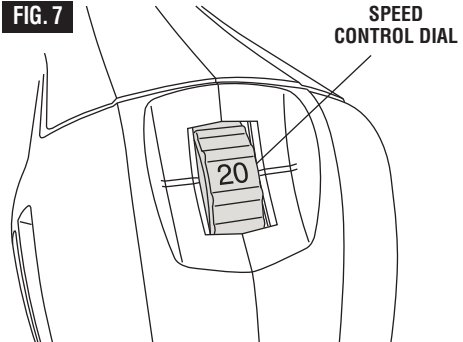
TO UNLOCK THE SWITCH, simply press and release the REAR portion of the button. Switch is spring loaded and will snap back automatically.



### ELECTRONIC VARIABLE SPEED CONTROL

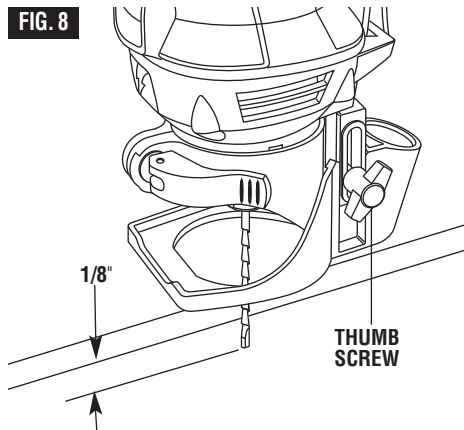
The electronic speed control feature allows motor speed to be matched to cutter size and material hardness for improved finish, extended bit life, and higher performance. Speed changes are achieved by rotating Control Dial UP to increase speed, DOWN to decrease as indicated on housing (Fig. 7).

Speed may be changed while tool is on. The reference numbers on the dial facilitate re-setting control to desired speed.



### DEPTH GUIDE ADJUSTMENT

Use the depth guide to adjust the depth of cut. Loosen the thumb screw by turning it counter-clockwise until the depth guide can slide freely to the desired depth of cut (about 1/8" greater than material thickness) and retighten the thumb screw (clockwise) (Fig. 8). For bits with a guide point, make sure that the entire guide point tip will extend 1/8" beyond the material thickness (Fig. 2). For standard point bits, make sure that the fluted end of the bit extends 1/8" beyond the material thickness.



### WORKLIGHT

Your tool is also equipped with a light that turns on automatically when the switch is

activated, for better visibility when cutting (Fig. 1).

### MAKE A FEW PRACTICE CUTS

After installing the bit into the tool and adjusting your depth guide, you should make a few practice cuts with the tool before attempting an actual job. A few exercises will give you the necessary practice to make clean, professional cuts.

**Step 1:** Make certain that the collet nut is securely tightened before turning the tool on.

**Step 2:** Hold the tool firmly and turn the tool ON to your desired speed.

**Step 3:** While holding the tool firmly, insert the bit into the material at a 45° angle (Fig. 9).

**Step 4:** Slowly bring it to a 90° angle to begin the cut (Fig. 10). The base guide should be flush to the material surface. For all materials (EXCEPT cutting around outlet boxes in drywall), steer the tool in a clockwise direction with slow, steady pressure to make the cut.

**Step 5:** After completing your cut, turn off the tool and carefully remove it from the material. Do not attempt to use this tool to make cutouts around any fixture or opening which has live electrical wires, or any wall which may have live electrical wiring behind it, as the bit could conduct current to the tool, creating an electrocution hazard for the operator. Shut off breakers or remove fuses to disconnect the circuit. Always hold the tool by its thermoplastic housing, and always wear eye protection when operating a Spiral Saw power tool.

**NOTE:** Because of the rotating cutting action of the bit, there will be a slight pull when

FIG. 9

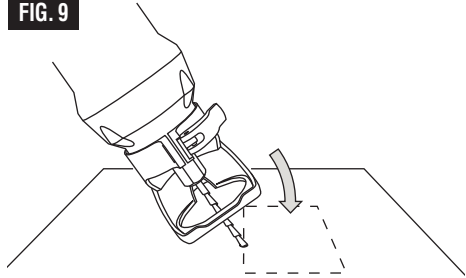
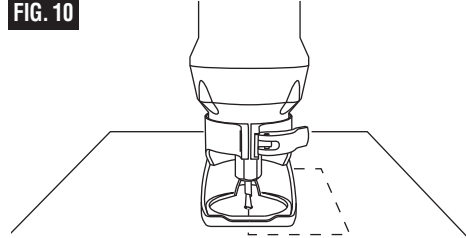


FIG. 10



cutting. The slower you cut, the more control you have. Excessive pressure or fast cutting will cause excessive heat and may shorten the life of the bit.

**NOTE:** When cutting on a vertical surface, avoid ending your cut at the bottom of the hole. If possible, start and end your cut at the top so the scrap part will not drop onto the rotating bit. Turn the tool off and remove it from the material.

### INSTRUCTIONS FOR CREATING CUT-OUTS IN DRYWALL FOR OUTLETS, CAN LIGHTS, WINDOWS, AND DOORS

After assembling the bit into the tool as described earlier, it will be necessary to review the instructions provided below and make some practice cut-outs with this tool before attempting an actual job. The best method is to take some scrap pieces and nail or screw them in place over wall studs which have an electrical box or other feature in place. A few such exercises will give you the necessary practice to make clean, professional cutouts around whatever is behind the drywall you are installing.



**WARNING** Do not attempt to use this tool to make cut-outs around any fixture or opening which has live electrical wires, or on any wall which may have live electrical wiring behind it, as the bit could conduct current to the tool, creating an electrocution hazard for the operator. Shut off breakers or remove fuses to disconnect the circuit. Always hold the tool by its thermoplastic housing, and always wear eye protection when operating this device.

**Step 1:** Be certain that the box or fixture is firmly mounted and all wires or other obstructions around the opening are pushed back out of the way. The bit uses the outer edge of the box or fixture as a guide, so it is important that there is nothing in the way which can prevent it from guiding completely around the opening. For the purposes of this instruction manual, the procedure discussed will be to make a cut-out around a standard 2 1/8" x 3 3/4" electrical box.

**Step 2:** Slide switch to turn the tool on. While holding the Sprial Saw® firmly with both hands, plunge the bit through the mark you made. Then guide the bit to the right until you feel and hear the bit touch the inside edge of the box (Fig. 11).

**Step 3:** Pull the bit out far enough to slip it over the edge of the box so it is now against the outside of the box (Fig. 12).

**Step 4:** While keeping the bit in contact with the outside of the box move the tool counter clockwise while applying light inward and upward pressure until you feel and hear it come to the corner. As you round the corner apply light pressure left and downward (Fig. 12).

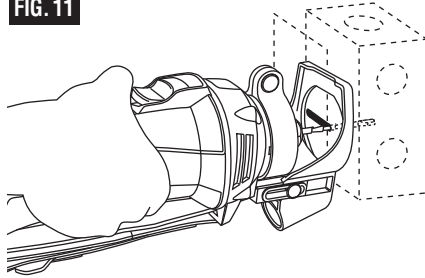
**Step 5:** While moving slowly and continuously along the top contour you will feel the bit come to the next corner. Round the corner and apply light down and inward pressure until the bottom corner is reached (Fig. 12).

**Step 6:** Move the bit right and upward maintaining light continuous pressure toward the box (Fig. 12).

**Step 7:** Round the right bottom corner and begin moving the bit upward while applying light pressure left toward the box until you meet initial upward cut. Push Sprial Saw® switch to off (Fig. 11).

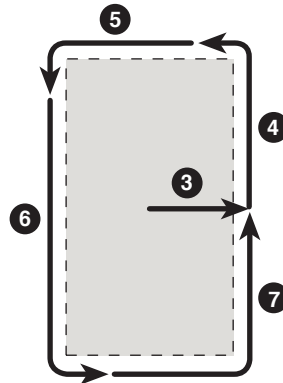
**Step 8:** The completed box, executed quickly, neatly, and in a fraction of the time taken by other methods.

FIG. 11



**NOTE:** These step-by-step instructions are generalized to acquaint you with the Sprial Saw's® operation. After some practice, you may develop a technique with which you are more comfortable. However, you must always begin the cut somewhat centrally, and MOVE THE Sprial Saw® ONLY COUNTER-CLOCKWISE to take advantage of the "hugging" action of the bit along the contours of the template. Remember to use a smooth, continuous motion. The exception to this rule applies to cutting window and door openings. Since you are tracing around the inside of the framing members, move the bit clockwise to take advantage of the bits "hugging" action.

FIG. 12



#### USING THE VACUUM PORT

Your Sprial Saw® is designed to work with the Rotozip model DM5 Dust Management

Kit. Visit your local Rotozip retailer or call 1-877-ROTOZIP (1-877-768-6947) for more information.

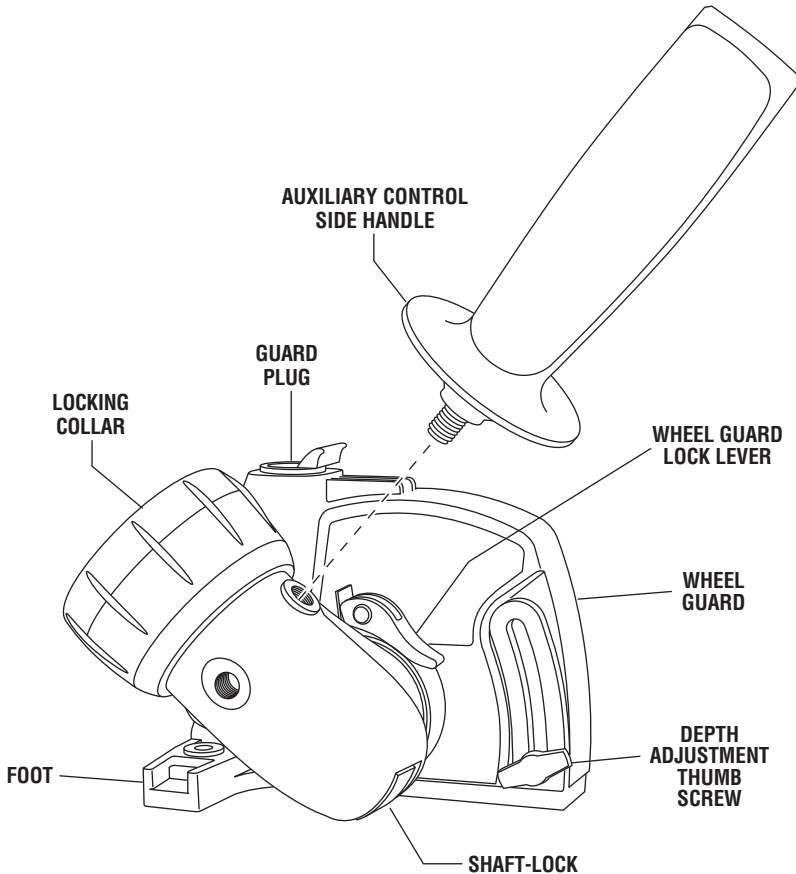
## Functional Description and Specifications

**⚠ WARNING** Zipmate attachment must be used only with an hard auxiliary control side handle. Two handed control of solid gripping handles will provide sufficient control of the cutting wheel in case of recoil.

**⚠ WARNING** Disconnect the plug from the power source before making any assembly, adjustments or changing accessories. Such preventive safety measures reduce the risk of starting the tool accidentally.

### Zipmate® Abrasive Cut Off Attachment

FIG. 1



### NOT INCLUDED WITH ALL KITS

**Note :** The speed of your tool will be reduced 2.11 : 1 when using your Abrasive Cut-Off attachment.

## Assembly

**⚠ WARNING** Disconnect the plug from the power source before making any assembly, adjustments or changing accessories. Such preventive safety measures reduce the risk of starting the tool accidentally.

**⚠ WARNING** Guard plug should always be attached when vacuum hose is not connected. Wheel bursting may eject wheel fragments towards user if guard plug is not attached.

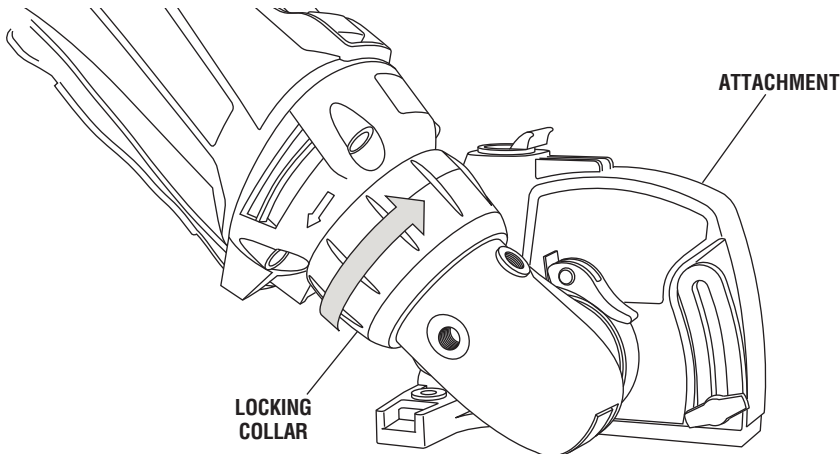
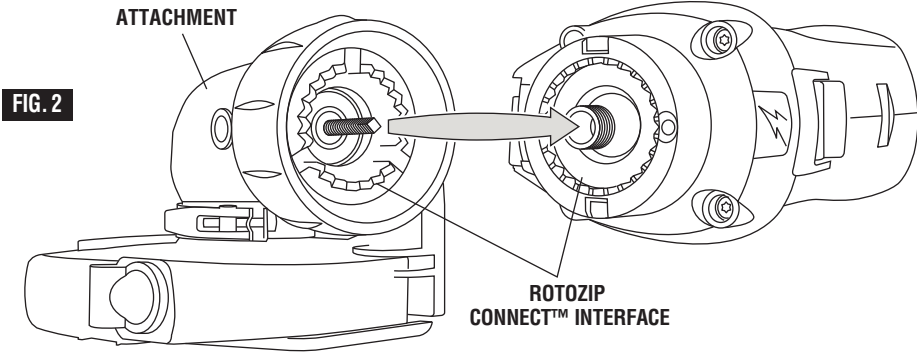
### REMOVING AND INSTALLING ABRASIVE CUT OFF ATTACHMENT

1. Depress and hold the shaft-lock in and rotate the collet nut and shaft until the shaft lock engages and holds the shaft.

2. Remove the collet nut by rotating it counter-clockwise. Remove the collet from the tool shaft.

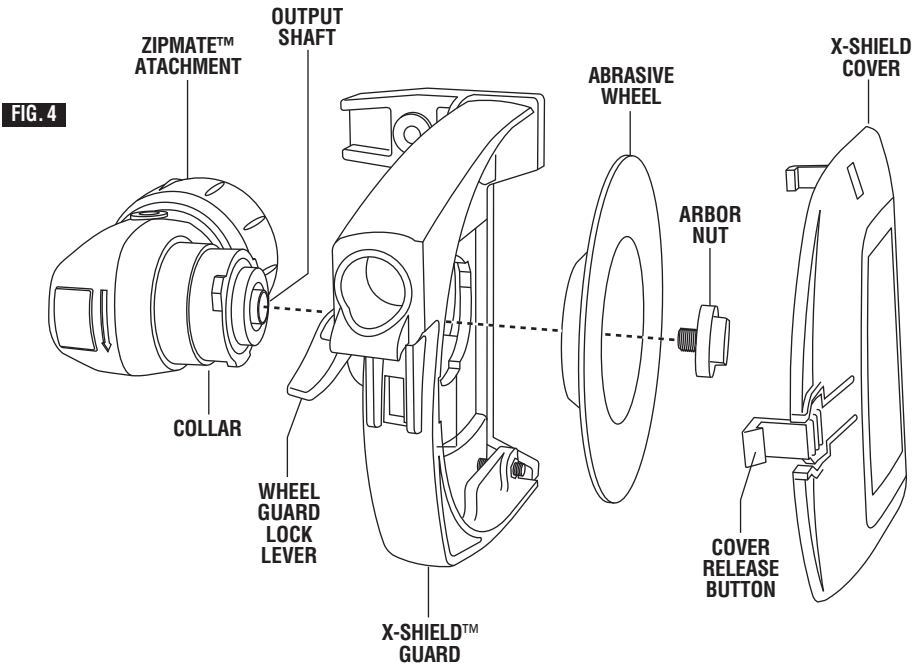
3. Position the attachment onto the threaded Rotozip Connect™ interface. Note: It may be necessary to rotate attachment slightly to engage square end of the right angle drive into tool shaft (figure 2).

4. Position attachment in desired orientation and rotate the locking collar until the attachment is secure. The locking collar has been tightened sufficiently when the Zipmate body can no longer move relative to the Spiral Saw® (figure 3).



### INSTALLING X-WHEEL and Zip® ABRASIVE WHEELS

1. Depress the cover release button and remove the X-SHIELD cover.
2. Install abrasive wheel onto output shaft.
3. Thread arbor nut provided onto output shaft finger tight, depress shaft lock and tighten wheel with the wrench provided (Fig. 2).
4. Attach X-SHIELD cover. Make sure X-SHIELD cover is properly snapped onto the X-SHIELD guard.
5. Keep guard covering between wheel and user.
6. Make sure the wheel guard lock lever is in the closed position and the XSHIELD guard is securely mounted to the Zipmate attachment. Use the allen wrench to adjust the wheel guard adjustment screw.
7. Adjust the foot of the X-SHIELD abrasive cut off attachment to the desired depth of cut by loosening and tightening the wing knob.
8. Maximum cutting depth is 3/4".





## Operating Instructions

### MAKING A CUT

1. Make sure material being cut is secured in a vise or fixture before attempting to cut.
2. Keep your body positioned to either side of the wheel, but not in line with wheel. It is important to support the tool properly and to position your body such as to minimize body exposure from possible wheel binding and recoil.
3. Grip the tool with both hands when cutting and always be ready and able to manage the cut.
4. Avoid jamming, twisting or pinching the wheel with the workpiece or otherwise applying excessive side pressure to the wheel.
5. Keep guard covering between wheel and user.
6. Make sure the guard lock lever is in the closed position and the guard is securely mounted to the attachment. Use the allen wrench to adjust the guard adjustment screw.
7. Maximum cutting depth is 3/4".

**CAUTION** Overtightening the guard adjustment screw can permanently damage the locking mechanism. Test the tightness of the lever after each full turn of the adjustment screw.

**WARNING** To prevent recoil and damage to the tool, always ensure that the inner or outer flanges never contacts the workpiece surface.

8. Generally, the harder the material being worked on, the faster the wheel will wear.

9. When cutting thicker material, never make the cut in one pass. Make successive passes until you reach desired depth.

**ATTENTION:** If you run the tool continuously for more than 5 minutes, it is normal for the housing to feel warm.

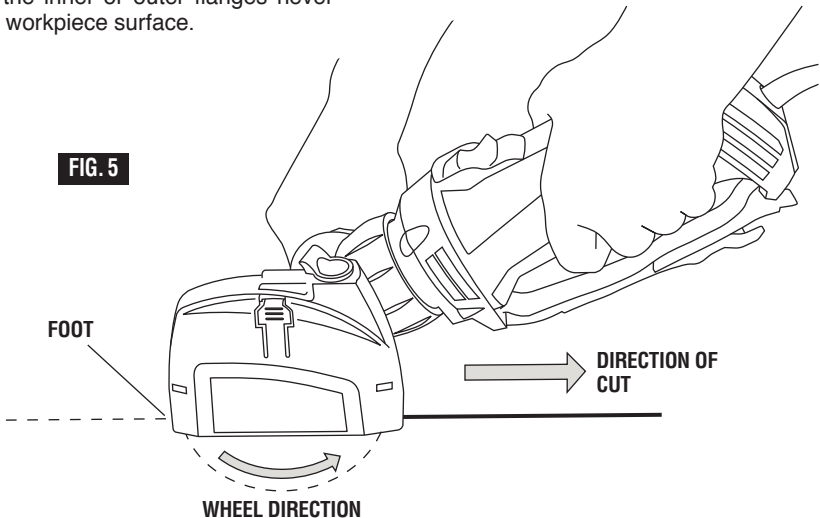
**It is important to read and understand the section in this manual called "Causes and Operator Prevention of Recoil".**

**When making a cut in sheet metal, masonry, etc.:** You may start your cut at the end of the piece or you can plunge cut somewhere in the body of the material.

In order to try to avoid recoil (a situation where the wheel wants to skip out of the material) it is recommended to make cuts in the same direction as the rotation of the wheel (Fig. 5).

### USING THE VACUUM PORT

Your Zipmate® Abrasive Cut Off Attachment is designed to work with the Rotozip model DM5 Dust Management Kit. Visit your local Rotozip retailer or call 1-877-ROTOZIP (1-877-768-6947) for more information.



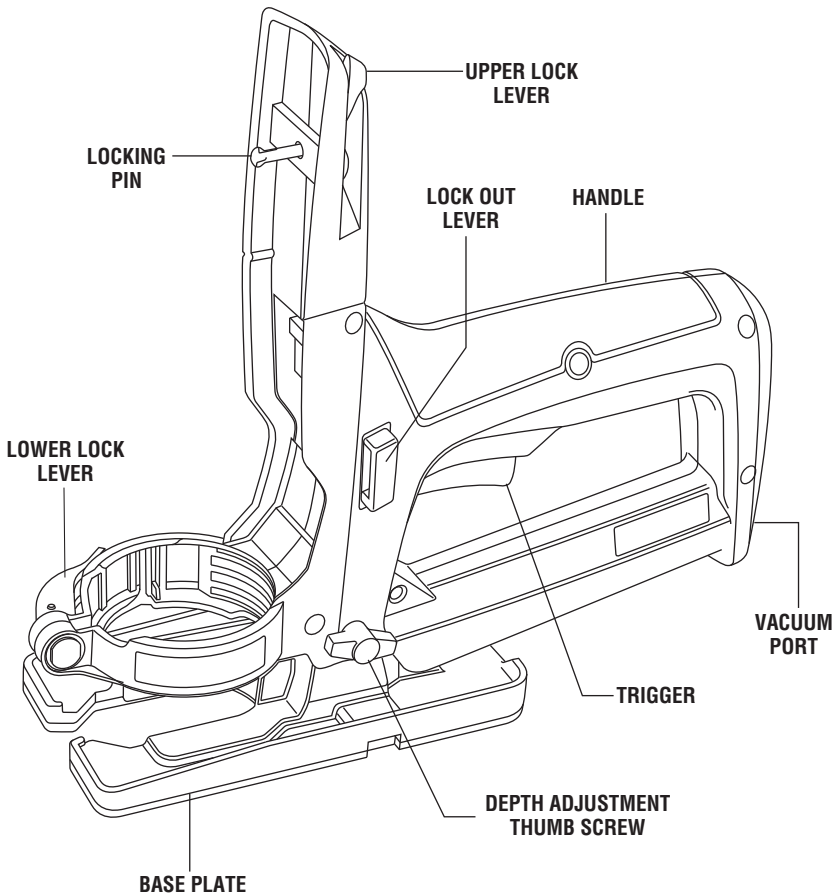
## Functional Description and Specifications

**⚠ WARNING** Disconnect the plug from the power source before making any assembly, adjustments or changing accessories. Such preventive safety measures reduce the risk of starting the tool accidentally.

### Jigsaw Handle

**FIG. 1**

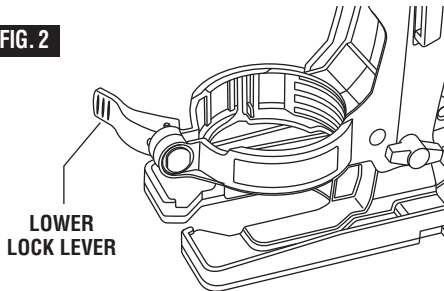
NOT INCLUDED WITH ALL KITS



### INSTALLING AND REMOVING THE JIGSAW HANDLE ATTACHMENT

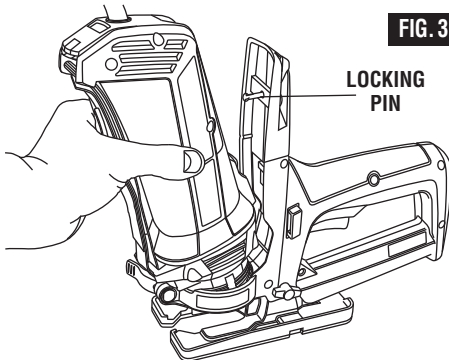
1. Remove depth guide from the tool.
2. Open the lock lever near the base of the attachment (figure 2.)

**FIG. 2**

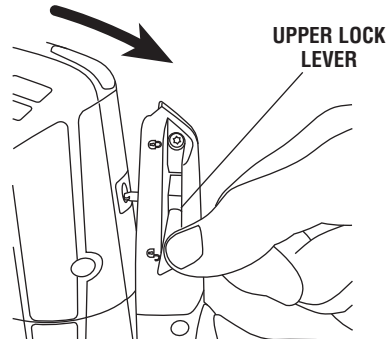


3. Insert your Spiral Saw® with the switch toward the attachment as shown in (figure 3.) Press down firmly and squeeze the tool toward the attachment, making sure the locking pin engages the corresponding keyway on the Spiral Saw®.

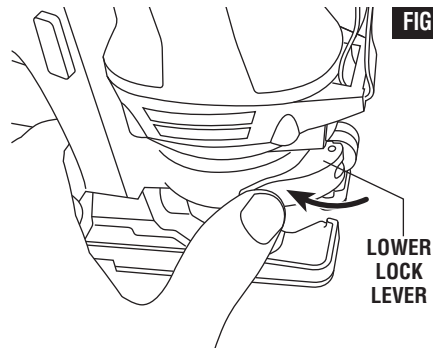
**FIG. 3**



4. Rotate the upper lock lever to the "UNLOCK" position and squeeze the tool toward the attachment. With the Spiral Saw® positioned tight against the attachment, release the upper lock lever. Make sure both the lower and upper lock levers are in their "LOCK" positions (figures 4 & 5.)



**FIG. 4**



**FIG. 5**

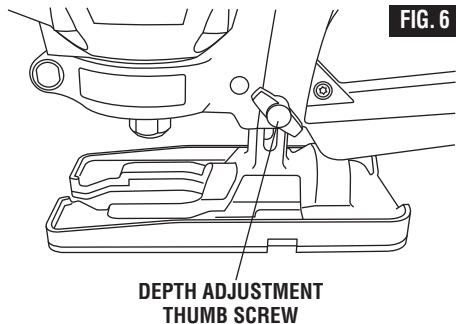
To remove the jigsaw handle attachment, reverse steps 2, 3, and 4.

## Operating Instructions

### DEPTH ADJUSTMENT

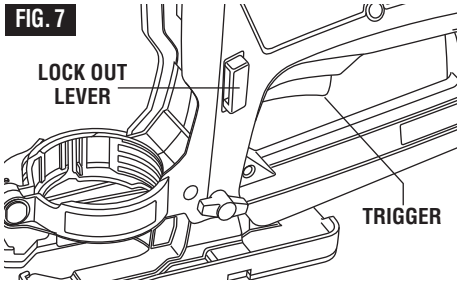
Loosen the depth adjustment thumb screw (counter-clockwise) to change the depth of cut. Slide the base plate to the desired depth of cut and re-tighten the thumb screw (clockwise) (figure 6.)

**FIG. 6**



### MAKING A CUT

1. Your jigsaw handle attachment is equipped with a trigger switch. Slide the lock-out lever (figure 7) to either side with your thumb, then squeeze the trigger.



2. While holding the tool firmly, insert the bit into the material at a 45° angle (figure 8).

3. Slowly bring it to a 90° angle to begin the cut. The base plate should be flush to the material surface (figure 9).

4. Release the trigger to de-activate your tool after the cut.

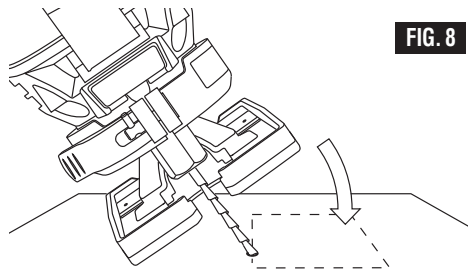


FIG. 8

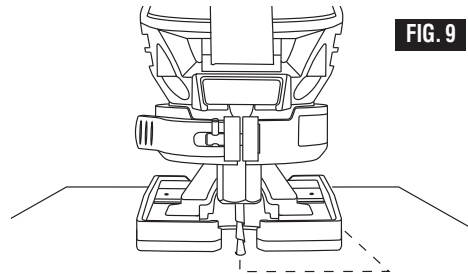


FIG. 9

## Maintenance

### Service

**⚠ WARNING** Preventive maintenance performed by unauthorized personnel may result in misplacing of internal wires and components which could cause serious hazard. We recommend that all tool service be performed by a Bosch or Rotozip Factory Service Center or Authorized Bosch Service Station. Call 1-877-ROTOZIP (1-877-768-6947) if your tool needs service.

### TOOL LUBRICATION

Your Rotozip tool has been properly lubricated and is ready to use. The lubrication applied at the factory lasts for the life of the tool.

### CARBON BRUSHES

The brushes and commutator in your tool have been engineered for many hours of dependable service. To maintain peak efficiency of the motor, we recommend every two to six months the brushes be examined. Only genuine Rotozip replacement brushes specially designed for your tool should be used.

### BEARINGS

Your Rotozip tool and attachments contain sealed bearings designed to last the life of the

tool. Bearings which become noisy (due to heavy load or very abrasive material cutting) should be inspected at once to avoid overheating or motor failure. Contact your local Bosch or Rotozip Factory Service Center if your bearings become noisy.

### Cleaning

**⚠ WARNING** To avoid accidents always disconnect the tool from the power supply before cleaning or performing any maintenance. The tool may be cleaned most effectively with compressed dry air. **Always wear safety goggles when cleaning tools with compressed air.**

Ventilation openings and switch levers must be kept clean and free of foreign matter. Do not attempt to clean by inserting pointed objects through openings.

**⚠ CAUTION** Certain cleaning agents and solvents damage plastic parts. Some of these are: gasoline, carbon tetrachloride, chlorinated cleaning solvents, ammonia and household detergents that contain ammonia.

## Extension Cords

**⚠ WARNING** If an extension cord is necessary, a cord with adequate size conductors that is capable of carrying the current necessary for your tool must be used. This will prevent excessive voltage drop, loss of power or overheating. Grounded tools must use 3-wire extension cords that have 3-prong plugs and receptacles.

**NOTE:** The smaller the gauge number, the heavier the cord.

### RECOMMENDED SIZES OF EXTENSION CORDS 120 VOLT ALTERNATING CURRENT TOOLS

Tool's Ampere Rating	Cord Size in A.W.G.				Wire Sizes in mm <sup>2</sup>			
	Cord Length in Feet				Cord Length in Meters			
	25	50	100	150	15	30	60	120
3-6	18	16	16	14	0.75	0.75	1.5	2.5
6-8	18	16	14	12	0.75	1.0	2.5	4.0
8-10	18	16	14	12	0.75	1.0	2.5	4.0
10-12	16	16	14	12	1.0	2.5	4.0	—
12-16	14	12	—	—	—	—	—	—

## Accessories & Attachments

**⚠ WARNING** Your Rotozip Spiral Saw is compatible with any Rotozip attachment bearing the Rotozip Connect™ icon. This icon can be located on the attachment packaging or the attachment itself.

**⚠ WARNING** Do not use metal cutting bits, router bits, or non-approved accessories with this product unless a control handle, such as the Jigsaw Handle Attachment, is attached.

## Featured Attachments

### CRCT4 Circle Cutting Attachment

- Cuts fast, clean circles from 1" - 12"

### DM5 Dust Management Kit

- Connects to the depth guide, Zipmate, or Jigsaw handle to collect dust while you cut.

- Convenient adapter/belt clip allows for connection to most shop vacuums.

Your Spiral Saw will work with all Rotozip bits, including Zip® Bits and XBITS®, and XCORES™. It is also compatible with all Zip® Wheels and XWHEELS™.

### Zip® Bits

Rotozip's patented line of versatile Zip Bits and accessories provide you with the flexibility to quickly move from one material to another and one job to another, without the hassle of changing tools.

Sabrecut® Multipurpose Zip® Bit (SC)  
 Standard Point Drywall Zip® Bit (ZB)  
 Guidepoint® Bit (GP)  
 Window and Door Zip® Bit (WD)  
 Fiberock® Zip® Bit (FBR)  
 Wall Tile Zip® Bit (TC)  
 Duracut™ Zip® Bit (DC)

#### **XBITS®**

X-BITS are designed for serious professionals. They offer the strength and speed of 5/32" bits with the precision of 1/8" bits, to cut through even toughest materials in seconds-flat.

Drywall XBITS® (XB-DW)  
 Multipurpose XBITS® (XB-MP)  
 Floor Tile XBITS® (XB-FT)  
 Wall Tile XBITS® (XB-TC)  
 Underlayment XBITS® (XB-UL)  
 Laminate Flooring XBITS® (XB-LF)  
 Metal XBITS® (XB-MC)  
 Tracing XBITS® (XB-MPGP)

#### **XCORES™**

The new line of RotoZip® tile hole saws, the XCORES™, was designed for improved performance and durability. The XCORES

operate at a higher speed, with a vacuum-brazed diamond core that can withstand more heat, and are designed to work dry. This yields a hole saw that works 10x faster and lasts 4x longer than traditional tile hole saws.

3/4" XCORES™ (XC-T750)  
 1" XCORES™ (XC-T1000)  
 1-3/8" XCORES™ (XC-T1375)

#### **Zip® Wheels**

Zip® Wheels allow for easy cut-offs in a variety of materials - up to 9/16" depth of cut. Designed specifically for use with the Zipmate® attachment, Zip® Wheels allow you to make cuts in tight spaces.

Metal Zip® Wheel (RZMET)  
 Masonry Zip® Wheel (RZMAS)  
 Diamond Zip® Wheel (RZDIA)

#### **XWHEELS™**

The unique shape of these wheels allow for flush, smooth cuts every time. XWHEELS™ provide controlled cuts when you need it and in just about any material.

Metal XWHEELS™ (XW-MET)  
 Wood XWHEELS™ (XW-WD)  
 Tile XWHEELS™ (XW-TILE)

**ACCESSORY GUIDE | GUÍA DE ACCESORIOS | GUIDE DES ACCESSOIRES**



		Acoustic Tile	Acrylic	Aluminum Sliding	Cement Board	Ceramic Wall Tile	Drywall	Fiber Backboard	Fiber Glass	Fiberglass	Foam Board	Granite	Hardwood	Laminates	Lath	Marble	Metal	O.S.B.	Plaster	Plastics	Plywood	Porcelain	Porcelain & Ceramic Floor Tile	Solid Surface Material	Vinyl Sliding	WPC	Wood Composites
<b>XBITS</b>																											
<b>FBR</b>	SHANK SIZE 1/4"							•	•																		
<b>WD</b>	1/4"				•				•																		
<b>XB-DW</b>	5/32"	•				•			•																		
<b>XB-MP</b>	5/32"	•	•	•		•				•	•	•	•					•	•	•				•	•	•	•
<b>XB-MPGP</b>	5/32"	•	•	•			•			•	•	•	•					•	•	•				•	•	•	•
<b>XB-FT</b>	5/32"			•	•					•					•							•					
<b>XB-TC</b>	5/32"			•	•								•	•				•					•				
<b>DC</b>	1/4"			•									•					•						•			
<b>XB-UL</b>	5/32"			•			•								•												
<b>XB-MC</b>	5/32"															•											
<b>XB-LF</b>	5/32"												•														
<b>ZIP® BITS</b>																											
<b>GP</b>	1/8"	•			•				•																		
<b>ZB</b>	1/8"	•			•				•																		
<b>SC</b>	1/8"	•	•	•		•	•	•	•	•	•	•	•	•	•	•	•	•	•	•	•	•	•	•	•	•	•
<b>TC</b>	1/8"			•	•								•	•				•					•				
<b>XCORES</b>																											
<b>XC-T</b>	1/4"			•					•						•							•					
<b>XWHEELS</b>																											
<b>XW-WD</b>												•	•				•									•	
<b>XW-TILE</b>					•					•												•					
<b>XW-MET</b>																•											
<b>ZIP® WHEELS</b>																											
<b>RZDIA</b>					•					•						•							•				
<b>RZMAS</b>			•		•		•																				
<b>RZMET</b>			•													•											



## Avertissements généraux concernant la sécurité des outils électroportatifs

### **A** AVERTISSEMENT

**Veillez lire tous les avertissements et toutes les consignes de sécurité.** Si l'on n'observe pas ces avertissements et ces consignes de sécurité, il existe un risque de choc électrique, d'incendie et/ou de blessures corporelles graves.

### CONSERVEZ TOUS LES AVERTISSEMENTS ET TOUTES LES CONSIGNES DE SÉCURITÉ POUR RÉFÉRENCE FUTURE.

Dans tous les avertissements, le terme « outil électroportatif » se rapporte à des outils branchés sur le secteur (avec fil) ou à des outils alimentés par piles (sans fil).

#### Sécurité du lieu de travail

**Maintenez le lieu de travail propre et bien éclairé.** Les risques d'accident sont plus élevés quand on travaille dans un endroit encombré ou sombre.

**N'utilisez pas d'outils électroportatifs dans des atmosphères explosives, comme par exemple en présence de gaz, de poussières ou de liquides inflammables.** Les outils électroportatifs produisent des étincelles qui risquent d'enflammer les poussières ou les vapeurs.

**Éloignez les enfants et les visiteurs quand vous vous servez d'un outil électroportatif.** Vous risquez une perte de contrôle si on vous distrait.

#### Sécurité électrique

**Les fiches des outils électroportatifs doivent correspondre à la prise. Il ne faut absolument jamais modifier la fiche. N'utilisez pas d'adaptateur de prise avec des outils électroportatifs munis d'une fiche de terre.** Le risque de choc électrique est moindre si on utilise une fiche non modifiée sur une prise qui lui correspond.

**Évitez tout contact du corps avec des surfaces reliées à la terre tels que tuyaux, radiateurs, gazinières ou réfrigérateurs.** Le risque de choc électrique augmente si votre corps est relié à la terre.

**N'exposez pas les outils électroportatifs à la pluie ou à l'humidité.** Si de l'eau pénètre dans un outil électroportatif, le risque de choc électrique augmente.

**Ne maltraitez pas le cordon. Ne vous en servez jamais pour transporter l'outil électroportatif, pour le tirer ou pour le débrancher. Éloignez le cordon de la chaleur, des huiles, des arêtes coupantes ou des pièces mobiles.** Les cordons abîmés ou emmêlés augmentent les risques de choc électrique.

**Si vous utilisez un outil électroportatif à l'extérieur, employez une rallonge conçue pour l'extérieur.** Ces rallonges sont faites pour l'extérieur et réduisent le risque de choc électrique.

**S'il est absolument nécessaire d'utiliser l'outil électroportatif dans un endroit humide, utilisez une alimentation protégée par un disjoncteur de fuite de terre (GFCI).** L'utilisation d'un disjoncteur GFCI réduit les risques de choc électrique.

#### Sécurité personnelle

**Restez concentré, faites attention à ce que vous faites, et servez-vous de votre bon sens lorsque vous utilisez un outil électroportatif. N'employez pas d'outils électroportatifs quand vous êtes fatigué ou sous l'emprise de drogues, d'alcool ou de médicaments.** Quand on utilise des outils électroportatifs, il suffit d'un moment d'inattention pour causer des blessures corporelles graves.

**Utilisez des équipements de sécurité personnelle. Portez toujours une protection oculaire.** Le port d'équipements de sécurité tels que des masques antipoussières, des chaussures de sécurité antidérapantes, des casques de chantier et des protecteurs d'oreilles dans des conditions appropriées réduira le risque de blessure corporelle.

**Évitez les démarrages intempestifs. Assurez-vous que l'interrupteur est dans la position arrêt (Off) avant de brancher l'outil dans une prise de courant et/ou un bloc-piles, de le ramasser ou de le transporter.** Le transport d'un outil électroportatif avec le doigt sur la gâchette ou le branchement de cet outil quand l'interrupteur est en position de marche (ON) est une invite aux accidents.

**Enlevez toutes les clés de réglage avant de mettre l'outil électroportatif en marche.** Si on laisse une clé sur une pièce tournante de l'outil électroportatif, il y a risque de blessure corporelle.

**Ne vous penchez pas. Conservez toujours une bonne assise et un bon équilibre.** Ceci vous permettra de mieux maîtriser l'outil électroportatif dans des situations inattendues.

**Habillez-vous de manière appropriée. Ne portez pas de vêtements amples ou de bijoux. Attachez les cheveux longs. N'approchez pas les cheveux, les vêtements ou les gants des pièces en mouvement.** Les vêtements amples, les bijoux ou les cheveux longs risquent d'être happés par les pièces en mouvement.

**Si l'outil est muni de dispositifs permettant le raccordement d'un système d'aspiration et de collecte des poussières, assurez-vous que ces dispositifs sont raccordés et utilisés correctement.** L'utilisation d'un dépoussiéreur peut réduire les dangers associés à l'accumulation de poussière.





## Utilisation et entretien des outils électroportatifs

**Ne forcez pas sur l'outil électroportatif. Utilisez l'outil électroportatif qui convient à la tâche à effectuer.** L'outil qui convient à la tâche fait un meilleur travail et est plus sûr à la vitesse pour lequel il a été conçu.

**Ne vous servez pas de l'outil électroportatif si son interrupteur ne parvient pas à le mettre en marche ou à l'arrêter.** Tout outil électroportatif qui ne peut pas être commandé par son interrupteur est dangereux et doit être réparé.

**Débranchez la fiche de la prise ou enlevez le bloc-pile de l'outil électroportatif avant tout réglage, changement d'accessoires ou avant de ranger l'outil électroportatif.** De telles mesures de sécurité préventive réduisent le risque de démarrage intempestif de l'outil électroportatif.

**Rangez les outils électroportatifs dont vous ne vous servez pas hors de portée des enfants et ne permettez pas à des personnes qui ne connaissent pas l'outil électroportatif ou qui ignorent ces consignes de s'en servir.** Les outils électroportatifs sont dangereux dans les mains d'utilisateurs inexpérimentés.

**Entretenez les outils électroportatifs. Vérifiez que les pièces mobiles sont alignées correctement et ne coincent pas. Vérifiez qu'il n'y a pas de pièces cassées ou d'autre circonstance qui risquent d'affecter le fonctionnement de l'outil électroportatif. Si l'outil est abîmé, faites-le réparer avant de l'utiliser.** De nombreux accidents sont causés par des outils électroportatifs mal entretenus.

**Maintenez les outils coupants affûtés et propres.** Les outils coupants entretenus correctement et dotés de bords tranchants affûtés sont moins susceptibles de coincer et sont plus faciles à maîtriser.

**Utilisez l'outil électroportatif, les accessoires et les embouts d'outil, etc. conformément à ces instructions, en tenant compte des conditions de travail et des travaux à réaliser.** L'emploi d'outils électroportatifs pour des tâches différentes de celles pour lesquelles ils ont été prévus peut résulter en une situation dangereuse.

### Entretien

**Faites réparer votre outil électroportatif par un agent de service qualifié n'utilisant que des pièces de rechange identiques.** Ceci assure que la sécurité de l'outil électroportatif est préservée.

## Avertissements supplémentaires concernant la sécurité

L'emploi d'un GFCI et de dispositifs de protection personnelle tels que gants et chaussures d'électricien en caoutchouc améliorent votre sécurité personnelle.

**N'utilisez pas un outil conçu uniquement pour le C.A. sur une alimentation en C.C.** Même si l'outil semble fonctionner, les composants électriques d'un outil prévu pour le C.A. tomberont probablement en panne et risquent de créer un danger pour l'utilisateur.

**Maintenez les poignées sèches et exemptes d'huile et de graisse.** On ne peut pas maîtriser un outil électroportatif en toute sécurité quand on a les mains glissantes.

**Utilisez des brides ou d'autres moyens pratiques de brider ou de supporter la pièce sur une plate-forme stable.** Tenir la pièce à la main ou contre le corps est instable et risque de résulter en une perte de contrôle.

**Créez un agenda d'entretien périodique pour votre outil. Quand vous nettoyez un outil, faites attention de n'en démonter aucune pièce car il est toujours possible de mal remonter ou de pincer les fils internes ou de remonter incorrectement les ressorts de rappel des capots de protection.** Certains agents de nettoyage tels que l'essence, le tétrachlorure de carbone, l'ammoniaque, etc. risquent d'abîmer les plastiques.

Risque de blessure pour l'utilisateur. Le cordon d'alimentation électrique ne doit être réparé que par un Centre de service usine de Rotozip ou par une Station service agréée de Rotozip.



### AVERTISSEMENT

**Les travaux à la machine tel que ponçage, sciage, meulage, perçage et autres travaux du bâtiment peuvent créer des poussières contenant des produits chimiques qui sont des causes reconnues de cancer, de malformation congénitale ou d'autres problèmes reproductifs. Ces produits chimiques sont, par exemple :**

- Le plomb provenant des peintures à base de plomb,
- Les cristaux de silices provenant des briques et du ciment et d'autres produits de maçonnerie, et
- L'arsenic et le chrome provenant des bois traités chimiquement.

Le niveau de risque dû à cette exposition varie avec la fréquence de ces types de travaux. Pour réduire l'exposition à ces produits chimiques, il faut travailler dans un lieu bien ventilé et porter un équipement de sécurité approprié tel que certains masques à poussière conçus spécialement pour filtrer les particules microscopiques.

## Consignes de sécurité pour Spiral Saw™

Tenez l'outil par les surfaces isolées de prise en exécutant une opération lorsque l'outil de coupe peut venir en contact avec des fils cachés ou son propre cordon. Le contact avec un fil sous tension rendra les parties métalliques exposées de l'outil sous tension et causera des secousses électriques à l'opérateur. *Pour couper dans des murs existants ou autres endroits aveugles pouvant dissimuler des fils électriques, débranchez tous les fusibles ou les disjoncteurs alimentant ce lieu de travail.*

Assurez-vous toujours que la surface de travail est exempte de clous et autres objets étrangers. La coupe dans un clou peut faire sauter l'embout et l'outil, et ainsi abîmer l'embout.

Ne tenez jamais le matériau d'une main et l'outil de l'autre lorsque vous en faites usage. Ne placez jamais les mains sous la surface de coupe ou à proximité de celle-ci. Il est plus sûr de cramponner le matériau et de guider l'outil des deux mains.

Ne posez jamais le matériau sur des surfaces dures telles que le béton, la pierre, etc. L'embout de coupe en saillie peut faire sauter l'outil.

Portez toujours des lunettes de sécurité et un masque anti-poussières. N'utilisez l'outil qu'à un endroit bien aéré. L'utilisation de dispositifs de sécurité personnelle et le travail dans un environnement sûr réduisent les risques de blessures.

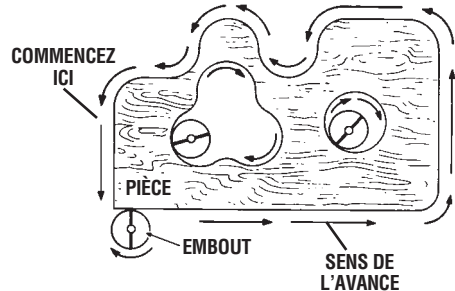
Après avoir changé les embouts ou effectué quelque réglage que ce soit, assurez-vous que l'écrou de la douille et tout autre dispositif de réglage sont bien serrés. Un dispositif de réglage lâche peut bouger soudainement et causer ainsi une perte de contrôle avec projection violente des composants en rotation.

Ne mettez jamais l'outil en marche alors que l'embout est enfoncée dans le matériau. Le tranchant de l'embout peut se coincer dans le matériau et vous faire perdre le contrôle du couteau.

Tenez toujours l'outil des deux mains durant la mise en marche. Le couple de réaction du moteur peut faire tordre l'outil.

Lors du toupillage ou du découpage, le sens de déplacement du tranchant de l'embout qui pénètre dans le matériau est important. Il faut toujours

pousser l'embout dans le matériau dans le même sens que celui du bord tranchant qui quitte le matériau. Avec l'outil vu du dessus, l'embout tourne en sens horaire. Si l'outil se trouve entre vous et la pièce, poussez-le vers la droite. Si par contre la pièce se trouve entre vous et l'outil, poussez alors ce dernier vers la gauche. Si vous poussez l'outil dans le mauvais sens, le bord tranchant de l'embout risque de grimper hors de la pièce et de tirer l'outil dans la direction de l'avance.



N'utilisez jamais d'embouts émoussés ou abîmés. Les embouts affilés doivent être maniés soigneusement. Les embouts abîmés peuvent se rompre brusquement durant l'usage. Les embouts émoussés nécessitent plus de force pour pousser l'outil, causant éventuellement un bris de l'embout.

Ne touchez jamais l'embout durant ou immédiatement après l'usage. Après usage, l'embout est trop chaud pour être touché à main nue.

Ne posez jamais l'outil avant que le moteur ne se arrêté complètement. L'embout en rotation peut saisir la surface et vous faire perdre le contrôle de l'outil.

N'utilisez jamais des embouts dont le diamètre de coupe est supérieur à celui de l'ouverture pratiquée dans la base.

N'utilisez pas l'outil pour percer. Cet outil n'est pas destiné à être utilisé avec des mèches de perceuse.

Utilisez toujours l'outil avec le guide de profondeur fixé solidement et placé à plat contre le matériau à couper. Le guide positionné solidement sur le matériau améliore la stabilité et le contrôle de votre outil.



## Consignes de sécurité pour l'accessoire de tronçonnage à meule Zipmate

Utilisez toujours le capot de meule ainsi que la poignée auxiliaire de Zipmate's avec cet outil à tronçonner à meule. Le protecteur doit toujours être fixé solidement à l'outil et positionné en vue d'une sécurité maximale de manière à exposer le moins possible de meule sur le côté opérateur de l'outil. Un protecteur protège l'opérateur contre les fragments brisés de meule. Les nervures de support et la poignée auxiliaire améliorent la protection, la stabilité et la maîtrise de l'outil lors des travaux de tronçonnage. Le corps de votre outil Rotozip peut aussi servir de poignée.

Assurez-vous toujours que le capot de meule et la poignée auxiliaire ont été remontés et fermement fixés sur Zipmate's quand vous changez de sens de rotation pour passer de l'éjection avant à l'éjection arrière ou après que vous ayez changé la meule. Un outil qui manque un composant de sécurité essentiel est dangereux à utiliser.

Portez des vêtements appropriés lors de l'utilisation d'un outil à tronçonner à meule. Un écran facial ou, à tout le moins, des lunettes de sécurité, un masque antipoussières, des gants en cuir et un tablier d'atelier pouvant arrêter les petits fragments de meule ou d'ouvrage.

Cet accessoire n'est pas prévu pour être utilisé avec des meules diamants à eau. L'utilisation d'eau ou d'autres agents liquides de refroidissement avec cet outil peut provoquer une électrocution ou des chocs. L'utilisation de meules à diamant par voie sèche est acceptable.

Utilisez uniquement des meules de tronçonnage de type 1 avec le trou d'arbre de la dimension correcte. N'utilisez jamais des brides de meule abîmées ou incorrectes ou un écrou rond. Les autres types de meule ne sont pas destinés à appliquer la charge sur la périphérie et peuvent voler en éclats. Les meules avec trous d'arbre qui ne correspondent pas aux ferrures de montage de l'outil fonctionneront de manière excentrique, vibreront excessivement et causeront une perte de contrôle.

Ne rectifiez pas sur le côté des meules de tronçonnage de type 1. Les forces latérales appliquées sur ces meules peuvent les faire voler en éclats.

N'utilisez pas cet accessoire avec une lame à sculpter le bois ou avec des lames à dents standard prévues pour scier du bois. Ces lames ne sont pas destinées à cet outil et peuvent provoquer une perte de contrôle en cours d'utilisation.

La vitesse maximale de fonctionnement sûr des meules de tronçonnage doit être supérieure à la vitesse à vide marquée sur la plaque signalétique de l'outil. Les meules qui fonctionnent à une vitesse

supérieure à la vitesse prévue peuvent voler en éclats et causer des blessures.

Avant chaque usage, inspectez la meule de tronçonnage pour y relever tout éclat et fissure. N'utilisez pas une meule qui peut être abîmée. Posez une nouvelle meule si l'outil est tombé. Lors de la pose de la nouvelle meule, maniez soigneusement les meules de tronçonnage individuelles en vue d'éviter les éclats ou les fissures. Faites fonctionner l'outil à vide pendant une minute, en tenant l'outil en sens opposé aux personnes présentes. Les meules présentant des défaillances voleront normalement en éclats durant cette période. Les fragments d'une meule qui éclate durant le fonctionnement seront projetés à grande vitesse et pourraient vous frapper ou frapper des personnes présentes.

N'utilisez pas une meule de tronçonnage de dimensions supérieures aux dimensions maximales recommandées pour votre outil, ni des meules abîmées et usées provenant d'outils à tronçonner à meule de dimensions supérieures. Les meules destinées aux outils plus gros ne conviennent pas à la vitesse supérieure d'un outil plus petit ; ces meules peuvent facilement éclater et les fragments peuvent vous frapper ou frapper les personnes présentes.

Placez le cordon à l'écart de la meule en rotation. N'enroulez pas le cordon autour de votre bras ou de votre poignet. Si vous perdez le contrôle et que le cordon est enroulé autour de votre bras ou poignet, il peut vous emprisonner et vous blesser.

Gardez votre corps placé d'un côté ou de l'autre de la meule, mais non dans le prolongement de celle-ci. Il est important de supporter l'outil adéquatement et de positionner votre corps de manière à minimiser l'exposition de votre corps à un éventuel grippage de la meule et au rebond de l'outil.

Tenez les mains à l'écart de l'aire de coupe et de la meule. Conservez votre seconde main sur la poignée auxiliaire. Tenez l'outil fermement afin de prévenir une perte de contrôle. Ne placez JAMAIS votre main derrière la meule étant donné que l'outil peut rebondir par-dessus votre main. Ne tentez pas de retirer le matériau coupé lorsque la meule se déplace. Si les deux mains tiennent l'outil, elles ne peuvent être coupées par la meule.

Ne coinciez pas la meule dans l'ouvrage, n'exercez pas une pression excessive et ne tentez pas une coupe très profonde en utilisant cet outil. Laissez la meule en rotation faire l'ouvrage. Les outils à tronçonner à meule sont destinés à « couper » le matériau en une série de coupes peu profondes. Reportez-vous aux instructions concernant la profondeur de coupe plus loin dans ce manuel.



Évitez de faire rebondir et d'accrocher la meule, surtout lorsque vous travaillez des coins, des arêtes vives, etc. Ceci peut causer une perte de contrôle et un rebond de l'outil

**Ne faites pas fonctionner l'outil tout en le portant à votre côté.** Un contact accidentel avec la meule en rotation peut causer des lésions graves.

**Ne posez jamais l'outil avant que le moteur ne se soit arrêté complètement.** La meule en rotation peut saisir la surface et vous faire perdre le contrôle de l'outil.

**N'utilisez pas le Zipmate à proximité de matières inflammables.** Les étincelles provenant de la meule pourraient allumer ces matériaux.

**Il ne faut jamais couper ou tenter de couper du magnésium avec cet accessoire.** La poussière produite durant la coupe de magnésium est très inflammable et peut être explosive dans certaines conditions.

**Nettoyez régulièrement les prises d'air de l'outil à l'aide d'air comprimé.** L'accumulation excessive de métal en poudre à l'intérieur du carter du moteur peut causer des défaillances électriques.

### Causes du rebond et façons dont l'opérateur peut le prévenir :

*Le rebond est une réaction soudaine à une meule en rotation pincée, grippée ou mal alignée. La meule peut se bloquer et faire sortir un outil non contrôlé hors du trait de scie en direction de l'opérateur lorsque l'outil est en position de « marche avant » ; si l'outil est mis en position de « marche arrière », l'outil peut avoir tendance à s'éloigner de l'opérateur. On peut se servir de la flèche du sens de marche située au dos du capot pour identifier les positions d'éjection des fragments vers l'avant ou vers l'arrière. L'accessoire est dans la position d'éjection vers l'avant quand la flèche du sens de marche est dirigée vers l'utilisateur et dans la position d'éjection vers l'arrière quand la flèche est dirigée à l'opposé de l'utilisateur.*

*Si une meule abrasive ou une meule à diamant devient tordue ou mal alignée dans la coupe, le côté de la meule qui entre dans le matériau peut creuser dans la surface*

*supérieure du matériau, ce qui fait remonter ou rebondir la meule hors du trait de scie soit en direction de l'opérateur ou en sens opposé à celui-ci, suivant l'orientation de marche avant ou de marche arrière.*

*Les meules abrasives peuvent également éclater dans ces conditions, l'opérateur et les personnes présentes pouvant être frappés ou empalés par les morceaux ou les fragments. Le rebond ou les meules éclatées résultent d'une mauvaise utilisation de l'outil et/ou de conditions ou de modes de fonctionnement incorrects et peuvent être évités en prenant les précautions appropriées comme indiqué ci-après :*

**Maintenez une prise ferme des deux mains sur les poignées de l'outil et positionnez votre corps et votre bras de manière à vous permettre de résister aux forces de rebond.** Les forces de rebond peuvent être contrôlées par l'opérateur, si des précautions appropriées sont prises.

**Si la meule se coince ou si vous interrompez une coupe, quelle qu'en soit la raison, enlevez doucement la meule de la pièce tout en tenant l'outil et la poignée auxiliaire fermement à deux mains.** Faites enquête et prenez des mesures correctives pour éliminer la cause du grippage de la meule.

**Lorsqu'un outil est remis en marche dans un ouvrage, centrez la meule dans le trait de scie et assurez-vous que les côtés de la meule ne sont pas engagés dans l'ouvrage.** Si la meule grippe, elle peut remonter ou rebondir hors de l'ouvrage lorsque l'outil est remis en marche.

**Supportez les grands panneaux afin de minimiser le risque de pincement de meule et de rebond.** Les grands panneaux ont tendance à s'affaisser sous leur propre poids. Des supports doivent être placés sous le panneau des deux côtés, près de la ligne de coupe et près du bord du panneau.

**Redoublez de prudence en effectuant une « coupe en poche » dans des murs existants ou autres endroits aveugles.** La meule en saillie peut couper les objets qui peuvent causer un rebond.

## Consignes de sécurité pour l'accessoire de poignée de scie à chantourner

**▲ AVERTISSEMENT** N'employez pas de fer à toupiller d'un diamètre de coupe supérieur à 1/4 po quand vous utilisez l'accessoire de poignée de scie à chantourner

**▲ AVERTISSEMENT** Si vous utilisez un embout à queue de 1/4 po ou un fer à toupiller quelconque avec l'accessoire de poignée de scie à chantourner, vous devez serrer l'écrou de douille à l'aide de la clé fournie. Le serrage à la main n'est pas suffisant pour les fers à toupiller.

**▲ AVERTISSEMENT** Indique le sens de rotation de l'embout. Vue du dessus, la rotation est en sens horaire. Vue de l'extrémité de l'embout, elle est en sens anti-horaire.

**▲ AVERTISSEMENT** Avant d'utiliser l'accessoire de scie à chantourner, il faut toujours serrer fermement la vis de réglage de profondeur. Ceci assure que l'embase ne bougera pas pendant l'usinage.



## Symboles

**IMPORTANT** : Certains des symboles suivants peuvent être utilisés sur votre outil. Veuillez les étudier et apprendre leur signification. Une interprétation appropriée de ces symboles vous permettra d'utiliser l'outil de façon plus efficace et plus sûre.

Symbole	Nom	Désignation/Explication
V	Volts	Tension (potentielle)
A	Ampères	Courant
Hz	Hertz	Fréquence (cycles par seconde)
W	Watt	Puissance
kg	Kilogrammes	Poids
min	Minutes	Temps
s	Secondes	Temps
∅	Diamètre	Taille des mèches de perceuse, meules, etc.
$n_0$	Vitesse à vide	Vitesse de rotation, à vide
.../min	Tours ou mouvement alternatif par minute	Tours, coups, vitesse en surface, orbites, etc., par minute
0	Position d'arrêt	Vitesse zéro, couple zéro ...
1, 2, 3, ... I, II, III, ...	Réglages du sélecteur	Réglages de vitesse, de couple ou de position. Un nombre plus élevé signifie une vitesse plus grande
	Sélecteur variable à l'infini avec arrêt	La vitesse augmente depuis le réglage 0
	Flèche	Action dans la direction de la flèche
	Courant alternatif	Type ou caractéristique du courant
	Courant continu	Type ou caractéristique du courant
	Courant alternatif ou continu	Type ou caractéristique du courant
	Construction classe II	Désigne des outils construits avec double isolation
	Borne de terre	Borne de mise à la terre
	Symbole d'avertissement	Alerte l'utilisateur aux messages d'avertissement.
	Sceau Li-ion RBRC	Désigne le programme de recyclage des piles Li-ion.



Ce symbole signifie que cet outil est approuvé par Underwriters Laboratories.



Ce symbole signifie que cet outil est approuvé par l'Association canadienne de normalisation selon les normes des États-Unis et du Canada.



Ce symbole signifie que cet outil se conforme aux normes mexicaines NOM.



Ce symbole signifie que cet outil est approuvé par l'Association canadienne de normalisation.



Ce symbole signifie que cet outil est approuvé par Underwriters Laboratories selon les normes des États-Unis et du Canada.



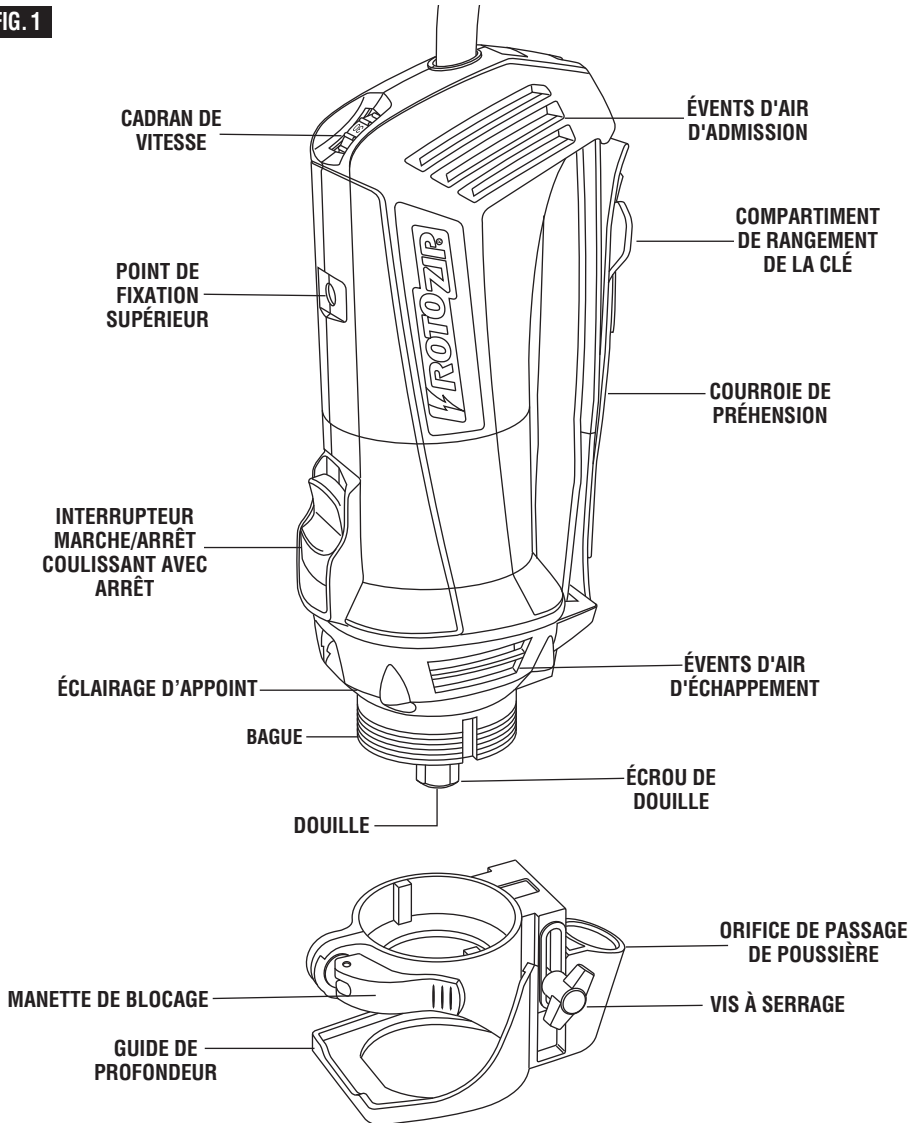
Ce symbole signifie que cet outil est approuvé par Intertek Testing Services selon les normes des États-Unis et du Canada

## Description fonctionnelle et spécifications

**AVERTISSEMENT** Débranchez la fiche de la prise de courant avant d'effectuer quelque assemblage ou réglage que ce soit ou de changer les accessoires. Ces mesures de sécurité préventive réduisent le risque d'une mise en marche accidentelle de l'outil.

### Spiral Saw™

FIG. 1



**REMARQUE :** Pour spécifications de l'outil, reportez-vous à la plaque signalétique de votre outil.

## Assemblage

**⚠ AVERTISSEMENT** Débranchez la fiche de la prise de courant avant d'effectuer quelque assemblage ou réglage que ce soit ou de changer les accessoires. Ces mesures de sécurité préventive réduisent le risque d'une mise en marche accidentelle de l'outil. Assurez-vous que l'écrou de douille est serré solidement avant de mettre l'outil en marche.

### DÉMONTAGE ET REMONTAGE DE L'ENSEMBLE DU GUIDE DE PROFONDEUR

L'ensemble du guide de profondeur comprend le guide de profondeur, le vis de blocage et le support.

Pour démonter le guide de profondeur de l'outil, desserrez la manette de blocage et sortez l'ensemble au complet de l'outil en tirant tout droit. Pour le remonter, remplacez le guide bien à fond sur la bague de l'outil et bloquez la manette de serrage (Fig. 1).

### MONTAGE DES EMBOUTS

Les embouts sont tenus par un système de douille sans clé conçu spécifiquement pour les embouts de scie spirale avec queue de 1/8 po (0,125 po), 1/4 po (0,250 po) ou 5/32 po (0,156 po).

**⚠ AVERTISSEMENT** Les cannelures des mèches sont vives et doivent être maniées soigneusement.

Enfoncez et maintenez le blocage d'arbre puis tournez le mandrin sans clé et l'arbre jusqu'à ce que le blocage d'arbre s'enclenche et empêche l'arbre de tourner.

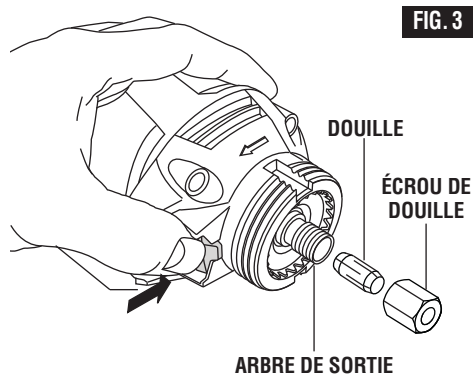
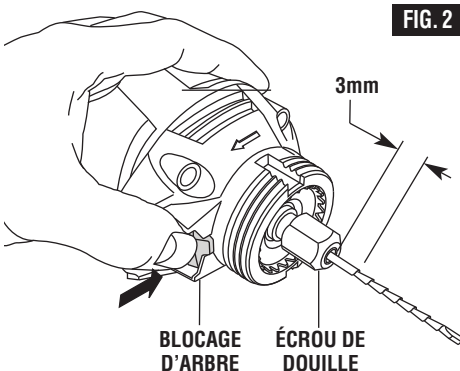
**⚠ MISE EN GARDE** Pour éviter que l'outil ne soit endommagé, ne l'empêchez jamais de pivoter en vous servant du blocage d'arbre comme d'un dispositif de freinage.

Utilisez la clé livrée en standard pour desserrer l'écrou (en sens anti-horaire) (Fig. 2). Enlevez l'embout existant (s'il y en a un) et enfoncez le nouvel embout aussi profondément que possible sans toutefois que ses

cannelures ne pénètrent dans la douille (laissez la queue dépasser d'environ 1/8 po). Ré-enclenchez le blocage de l'arbre et serrez l'écrou (sens horaire) à la main puis avec la clé jusqu'à ce que l'embout soit fermement serré.

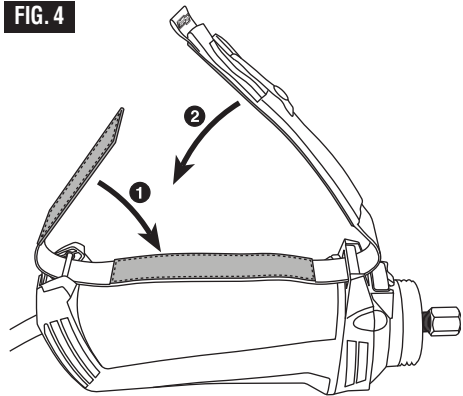
### CHANGEMENT DU DOUILLE

Le douille de 1/8 po (0,125 po) s'utilise avec les embouts de 1/8 po (0,125 po), le douille de 1/4 po (0,250 po) s'utilise avec les embouts de 1/4 po (0,250 po) et le mors de 5/32 po (0,156 po) s'utilise avec les embouts de 5/32 po (0,156 po). Pour changer le douille, commencer par retirer l'embout. Continuer ensuite de dévisser l'écrou de douille jusqu'à ce qu'il se détache de l'appareil. Retirer le douille et le remplacer par l'autre (Fig. 3). (Les deux mors sont réversibles et s'utilisent indifféremment dans un sens comme dans l'autre.) Serrer à nouveau l'écrou sur le douille en le tournant à droite avec ses doigts. On peut maintenant y introduire un embout de la manière indiquée à la montage des embouts (Fig. 2).



### INSTALLATION DE LA COURROIE DE PRÉHENSION

En orientant la poche de rangement de la clé vers le bas, faites passer le bout de la courroie du côté opposé du logo Rotozip® sous la tige de retenue à proximité du devant de l'outil, comme illustré. Continuez en faisant passer la courroie sous la tige de retenue à proximité du cordon. Repliez le rabat arrière en premier (1), puis repliez le bout sur lequel figure le logo Rotozip® tel que cela est illustré sur la figure 4. Appuyez fermement pour vous assurer que la courroie est solidement mise en place.



## Consignes de fonctionnement

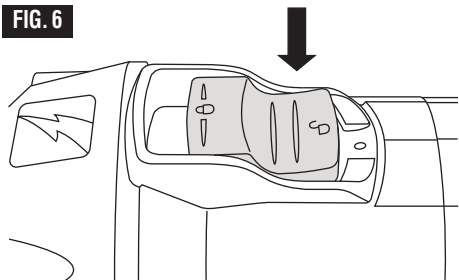
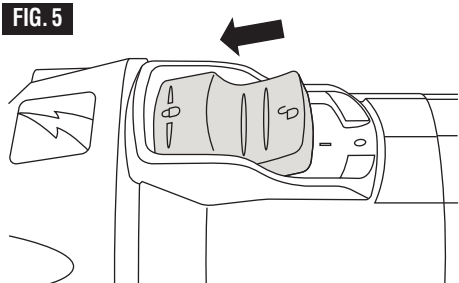
### INTERRUPTEUR MARCHE/ARRÊT COULISSANT AVEC ARRÊT

Cet outil se met en marche à l'aide de l'interrupteur à bouton situé sur le côté du carter du moteur (Fig. 5). Cet interrupteur peut être verrouillé dans la position de marche, une fonction très pratique pour des opérations de coupe de longue durée.

**POUR METTRE L'OUTIL EN MARCHÉ** sans le verrouiller dans cette position, faites glisser le bouton de l'interrupteur vers l'avant en faisant pression **UNIQUEMENT** sur la partie **ARRIÈRE** du bouton. Quand vous relâchez votre pression, l'interrupteur à bouton se mettra automatiquement dans la position d'arrêt.

**POUR VERROUILLER L'INTERRUPTEUR EN POSITION DE MARCHÉ**, faites glisser le bouton de l'interrupteur vers l'avant et **ENFONCEZ** la partie **AVANT**.

**POUR DÉVERROUILLER L'INTERRUPTEUR**, il suffit d'appuyer sur la partie **ARRIÈRE** du bouton et de la relâcher. Il s'agit d'un interrupteur à ressort, par conséquent il se repositionnera automatiquement.

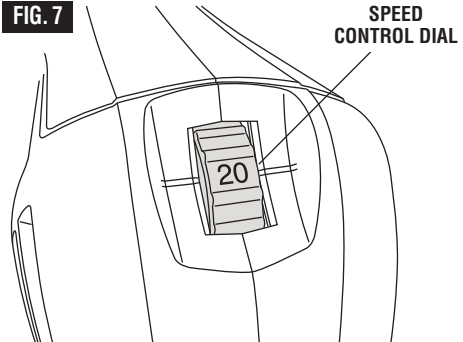




### VARIATEUR ELECTRONIQUE DE VITESSE

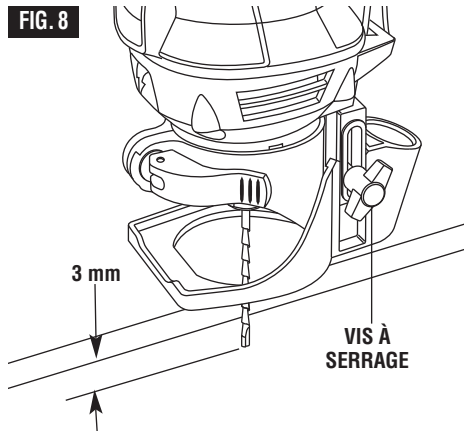
La variateur électronique de vitesse permet de régler le régime du moteur en fonction de la taille du couteau et la dureté du matériau pour améliorer la qualité de la finition, prolonger la durée du fer et assurer un meilleur rendement. On change la vitesse en tournant le cadran vers le HAUT pour l'augmenter, et vers le BAS pour la diminuer, comme il est indiqué sur le carter (Fig. 7).

De même, on peut changer la vitesse pendant que l'outil est en marche. Les repères du cadran facilitent le réglage à la vitesse désirée.



### AJUSTEMENT A L'AIDE DU GUIDE DE PROFONDEUR

Utilisez le guide de profondeur pour ajuster la profondeur de la coupe. Desserrez la vis de blocage en la faisant tourner dans le sens inverse des aiguilles d'une montre jusqu'à ce que le guide de profondeur puisse glisser librement jusqu'à la profondeur de coupe souhaitée (environ 1/8 po de plus que l'épaisseur du matériau) et resserrez la vis de blocage (en tournant en sens horaire) (Fig. 8). Pour les embouts munis d'une pointe de guidage, veillez à ce que tout le bout de la pointe de guidage dépasse du matériau de 1/8 po (Fig. 2). Pour les embouts à pointe standard, veillez à ce que le bout rainuré de l'embout dépasse du matériau de 1/8 po.



### ÉCLAIRAGE D'APPOINT

Votre outil est également muni d'une lampe qui s'allume automatiquement quand vous actionnez

l'interrupteur pour améliorer la visibilité pendant la coupe (Fig. 1).

### EXECUTER DES COUPES D'ESSAI

Après avoir installé l'embout dans l'appareil et ajusté le guide de profondeur, exécuter quelques coupes d'essai avant d'amorcer de vrais travaux.

Ces quelques exercices vous donneront l'expérience requise pour réaliser des coupes nettes d'aspect professionnel.

**Étape 1 :** Avant d'allumer l'appareil, s'assurer que l'écrou de mors est serré solidement.

**Étape 2:** Tenir solidement l'appareil et le mettre EN MARCHÉ au régime désiré.

**Étape 3 :** Tenir solidement l'appareil et entamer la coupe avec l'embout à un angle de 45° (Fig. 9).

**Étape 4 :** Redresser doucement l'outil pour amorcer la coupe (Fig. 10). Le guide de coupe doit se trouver à ras avec la surface du matériau. Pour tous les matériaux (SAUF pour tailler dans de la plaque de plâtre autour d'une boîte de raccordement), diriger l'outil dans le sens des aiguilles d'une horloge en exerçant une pression lente et uniforme.

**Étape 5 :** Après avoir exécuté la coupe, éteindre l'appareil et le dégager doucement du matériau.

Ne pas employer cet appareil pour réaliser des découpages autour d'appareils ou d'ouvertures comportant des fils électriques sous tension ou dans des parois derrière lesquelles de tels fils pourraient se trouver, car l'embout assurerait la conduction du courant vers l'appareil et mettrait l'utilisateur à risque de subir un choc électrique. Couper le courant alimentant ces fils à l'aide des fusibles ou des disjoncteurs. Toujours tenir l'appareil par son boîtier thermoplastique et toujours porter une protection des yeux pour employer une scie mécanique à spirale.

**REMARQUE :** En raison de la rotation de l'embout, l'utilisateur ressentira une légère traction en taillant.

FIG. 9

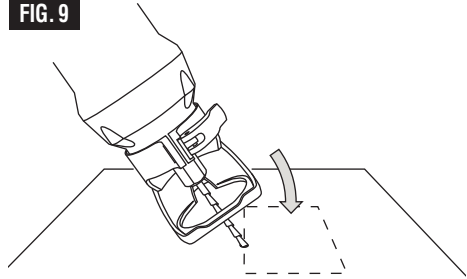
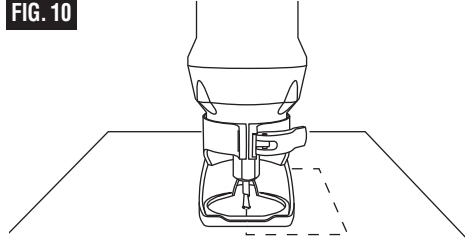


FIG. 10



Plus l'utilisateur exécute la coupe lentement, plus il pourra exercer de maîtrise. Une pression trop grande ou une exécution trop rapide causera un excès de chaleur qui pourrait réduire la longévité de l'embout.

**REMARQUE :** Lors de l'exécution de coupes dans une surface verticale, éviter de terminer l'opération au bas de l'ouverture. Dans la mesure du possible, débiter et terminer la coupe en haut afin d'éviter que la retaille ne chute sur l'embout en rotation. Éteindre ensuite l'appareil et le dégager du matériau.

### INSTRUCTIONS POUR DÉCOUPER DES CLOISONS SÈCHES AFIN DE CRÉER DES OUVERTURES POUR DES PRISES DE COURANT, DES BOÎTIERS ÉLECTRIQUES, DES FENÊTRES ET DES PORTES

Après avoir monté l'embout sur l'outil comme cela a été décrit plus haut, il sera nécessaire de lire les instructions fournies ci-dessous et de faire quelques coupes de pratique avec cet outil avant d'effectuer des travaux réels. La meilleure méthode consiste à prendre quelques morceaux de bois mis au rebut et de les clouer ou visser en place sur des montants de mur qui ont un boîtier électrique ou un autre objet en place. Quelques exercices de ce genre vous donneront la pratique nécessaire pour faire des coupes nettes, d'aspect professionnel, autour de ce qui existe derrière la cloison sèche que vous êtes en train d'installer.

#### **⚠ AVERTISSEMENT**

Ne tentez pas d'utiliser cet outil pour effectuer des découpages autour de tout appareil ou ouverture qui possède des fils électriques sous tension, ou sur tout mur derrière lequel se trouvent des fils électriques sous tension, car l'embout pourrait conduire le courant à l'outil, créant ainsi un danger d'électrocution pour l'opérateur. Mettez les disjoncteurs à l'arrêt ou retirez les fusibles pour sectionner le circuit. Tenez toujours l'outil par son boîtier thermoplastique, et portez toujours des lunettes de protection en utilisant ce dispositif.

**Étape 1 :** assurez-vous que le boîtier ou tout autre objet concerné est monté solidement et que tous les fils et autres obstructions possibles autour de l'ouverture sont repoussés à un endroit où ils ne vous gêneront pas. Comme l'embout utilise le bord extérieur du boîtier et de l'autre objet éventuel comme guide, il est important qu'il n'y ait rien qui fasse obstacle et vous empêche de guider l'outil complètement autour de l'ouverture. Aux fins de ce mode d'emploi, la procédure discutée consistera à découper une partie de la cloison autour d'un boîtier électrique standard de 2 1/8 po x 3 3/4 po.

**Étape 2 :** faites glisser l'interrupteur pour mettre l'outil en marche. Tout en tenant fermement la l'outil avec les deux mains, insérez l'embout à travers la marque que vous avez faite. Puis guidez l'embout vers la droite jusqu'à ce que vous sentiez et entendiez l'entrée en contact de l'embout avec le bord intérieur du boîtier (Fig. 9).

**Étape 3 :** tirez sur l'embout afin qu'elle soit suffisamment éloignée pour pouvoir la faire glisser au-dessus du bord du boîtier, de telle sorte qu'elle soit en contact avec l'extérieur du boîtier (Fig. 11).

**Étape 4 :** tout en maintenant l'embout en contact avec l'extérieur du boîtier, déplacez l'outil dans le sens antihoraire et appliquez une légère pression vers l'intérieur et vers le haut jusqu'à ce que vous sentiez et entendiez le contact avec le coin. Pendant que vous tournez le coin, appliquez une légère pression vers la gauche et vers le bas (Fig. 12).

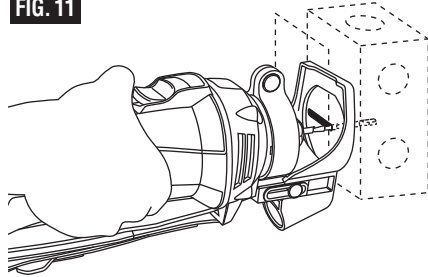
**Étape 5 :** avancez lentement et uniformément le long du contour supérieur jusqu'à ce que vous sentiez l'embout atteindre le coin suivant. Faites le tour du coin et appliquez une légère pression vers le bas et vers l'intérieur jusqu'à ce que l'embout atteigne la coin inférieur (Fig. 12).

**Étape 6 :** déplacez l'embout vers la droite et vers le haut tout en maintenant une légère pression ininterrompue vers le boîtier (Fig. 12).

**Étape 7 :** faites le tour du coin inférieur droit et commencez à faire avancer l'embout vers le haut tout en appliquant une légère pression vers la gauche dans le sens du boîtier jusqu'au moment où vous ferez contact avec la coupe vers le haut initiale. Faites glisser l'interrupteur de la l'outil en position d'arrêt (Fig. 12).

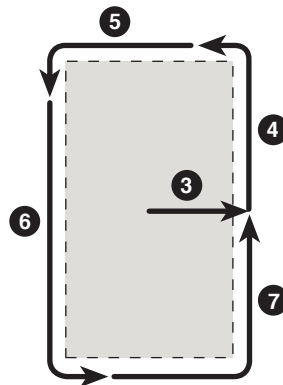
**Étape 8 :** le trou autour du boîtier est maintenant complet. Il a été exécuté rapidement, proprement et en une fraction du temps nécessaire si l'on utilise d'autres méthodes.

FIG. 11



**REMARQUE :** ces instructions pas à pas sont généralisées de manière à vous permettre de vous familiariser avec le fonctionnement de la l'outil. Après avoir pratiqué un peu plus son emploi, vous développerez peut-être une technique qui vous conviendra mieux. Cependant, vous devez toujours commencer la coupe plus ou moins au milieu et DÉPLACER L'OUTIL DANS LE SENS ANTIHORAIRE SEULEMENT afin de tirer le meilleur parti possible de l'action enveloppante de l'embout le long des contours du gabarit. Souvenez-vous d'utiliser un mouvement ininterrompu et sans à-coups. L'exception à cette règle s'applique à la découpe d'ouverture pour les fenêtres et les portes. Comme vous avancerez autour de l'intérieur de la charpente, déplacez l'embout dans le sens horaire afin de tirer le meilleur parti possible de l'action enveloppante de l'embout.

FIG. 12



#### UTILISATION DE L'ORIFICE D'ASPIRATION

Votre scie Spiral Saw® a été conçue pour fonctionner avec l'équipement de contrôle de la poussière modèle

DM5 de Rotozip. Veuillez consulter votre détaillant Rotozip local ou appeler le 1-877-ROTOZIP (1-877-768-6947) pour obtenir plus de renseignements.

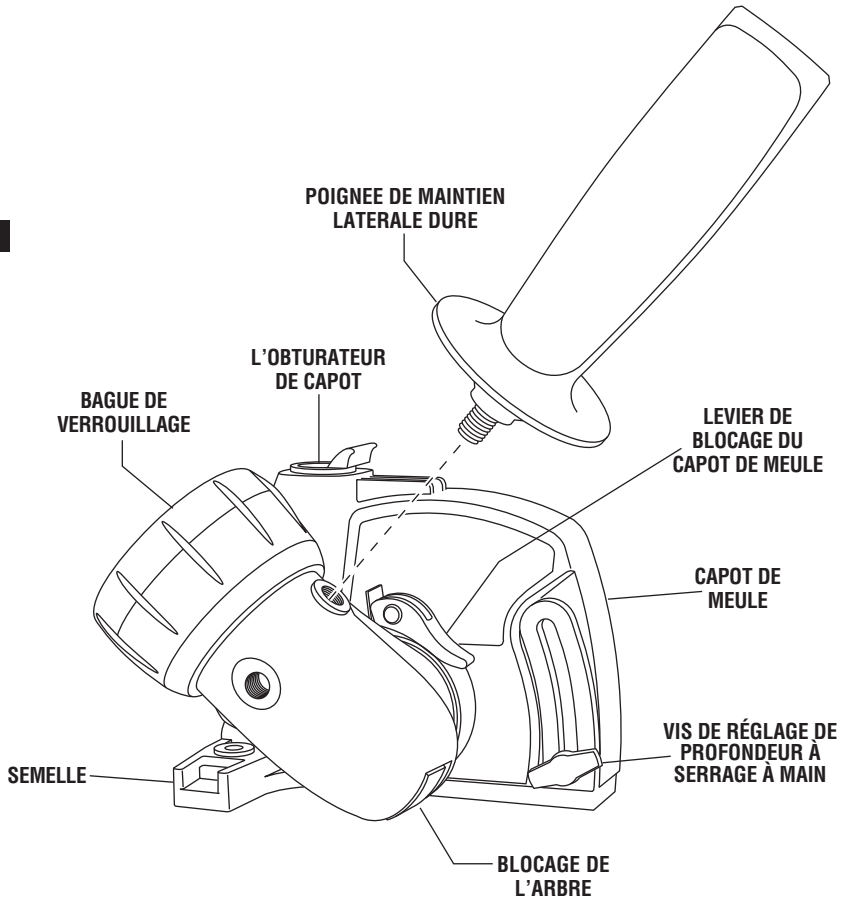
## Description fonctionnelle et spécifications

**AVERTISSEMENT** L'accessoire Zipmate ne peut être utilisé qu'avec une poignée de maintien latérale dure. Tenir la meule de coupe à deux mains par des poignées dures permet de mieux la maîtriser en cas de rebond.

**AVERTISSEMENT** Débranchez la fiche de la prise de courant avant d'effectuer quelque assemblage ou réglage que ce soit ou de changer les accessoires. Ces mesures de sécurité préventive réduisent le risque d'une mise en marche accidentelle de l'outil.

### Accessoire de tronçonnage à meule Zipmate®

FIG. 1



### L'ACCESSOIRE N'EST PAS INCLUS AVEC TOUS LES ÉQUIPEMENTS

**Remarque :** La vitesse de votre outil sera réduite dans un rapport de 211 à 1 quand vous utilisez l'accessoire de tronçonnage à meule.

## Assemblage

**⚠ AVERTISSEMENT** **Débranchez la prise avant tout assemblage, réglage ou changement d'accessoire.** De telles mesures de prévention réduisent les risques de démarrage intempestif de l'outil. Assurez-vous que le mandrin sans clé est bien serré avant de mettre l'outil en marche.

**⚠ AVERTISSEMENT** **L'obturateur de capot doit toujours être fixé tant que le tuyau d'aspiration n'est pas connecté.** Une meule qui éclate peut projeter des fragments vers l'utilisateur si l'obturateur n'est pas fixé.

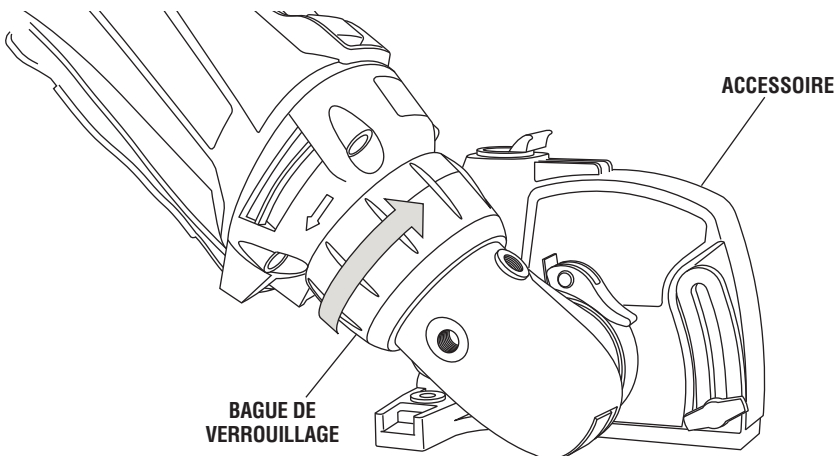
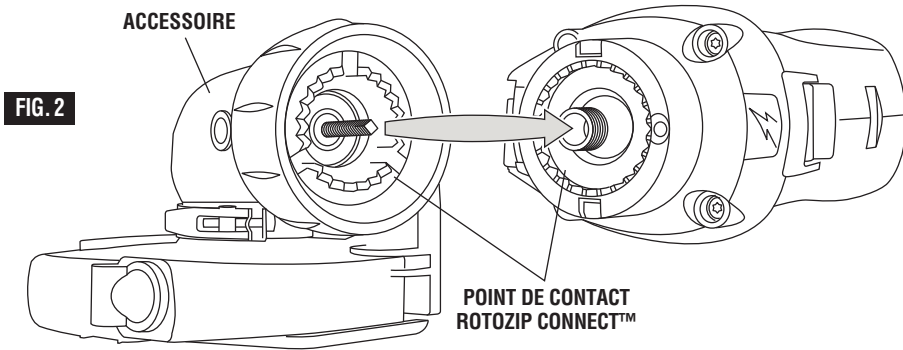
### MONTAGE ET DÉMONTAGE DE L'ACCESSOIRE DE TRONÇONNAGE A MEULE

1. Appuyez sur le blocage de l'arbre et maintenez-le enfoncé, puis tournez l'écrou de douille jusqu'à ce que le blocage de l'arbre s'enclenche et bloque l'arbre.

2. Retirez l'écrou de douille en le faisant tourner dans le sens inverse des aiguilles d'une montre. Retirez la douille de l'arbre de l'outil.

3. Placez l'accessoire sur le point de contact fileté Rotozip Connect™. Remarque : Il sera peut-être nécessaire de faire tourner l'accessoire légèrement pour enclencher l'extrémité carrée de la transmission à angle droit dans l'arbre de l'outil (figure 2).

4. Orientez l'accessoire dans la position qui vous convient et faites tourner la bague de verrouillage jusqu'à ce que l'accessoire soit fermement en place. Quand le corps du Zipmate ne peut plus bouger par rapport à la Spiral Saw, cela indique que la bague de verrouillage a été serrée suffisamment (figure 3).

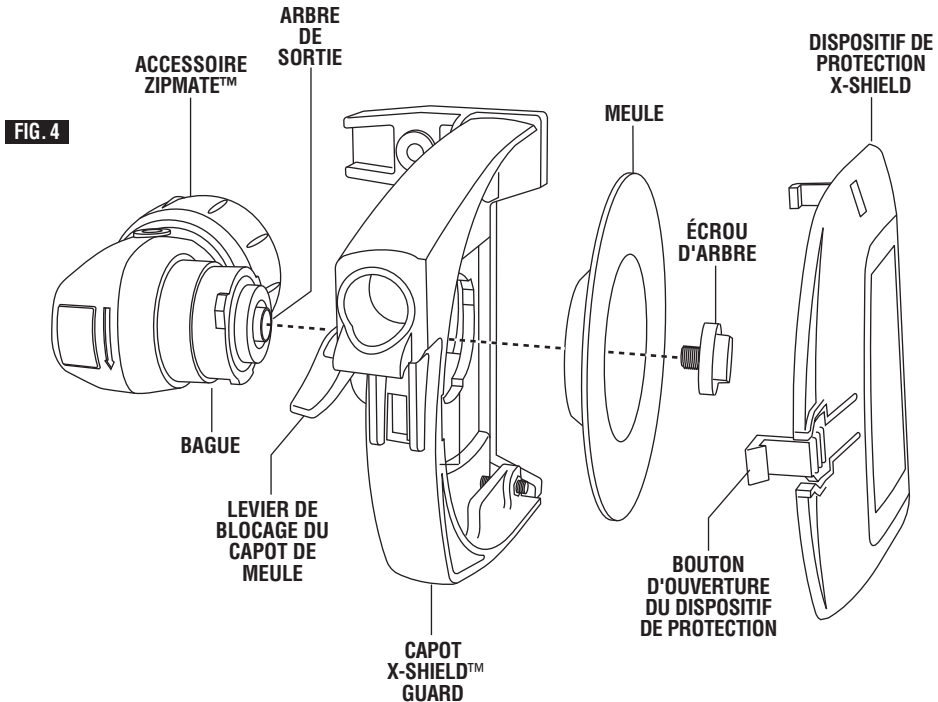


**MONTAGE DE MEULES X-WHEELS et Zip®**

1. Appuyez sur le bouton d'ouverture du dispositif de protection et retirez le dispositif de protection X-SHIELD.
2. Installez la meule sur l'arbre de sortie.
3. Vissez à la main l'écrou d'arbre fourni sur l'arbre de sortie, appuyez sur le blocage de l'arbre et serrez la meule à l'aide de la clé fournie (Fig. 2).
4. Attachez le dispositif de protection X-SHIELD. Assurez-vous que le dispositif de protection

X-SHIELD est bien enclenché dans le capot X-SHIELD.

5. Le couvercle du capot doit toujours se trouver entre la meule et l'utilisateur.
6. Assurez-vous que le levier de blocage du capot est en position fermée et que le capot est fixé fermement sur l'accessoire. Utilisez la clé Allen pour régler la vis de réglage du capot.
7. La profondeur de coupe maximale est de 3/4 po.



## Consignes de fonctionnement

### POUR TRONÇONNER

1. Assurez-vous que le matériau à tronçonner est fixé dans un état ou un montage avant d'essayer de tronçonner.
2. Placez-vous d'un côté ou de l'autre de la meule mais pas dans son alignement. Il est important de tenir l'outil correctement et de vous placer de manière à réduire le danger en cas d'éventuels coincements de la meule ou de rebonds.
3. Tenez l'outil à deux mains quand vous tronçonnez et tenez-vous toujours prêt et en position de maîtriser le tronçonnage.
4. Évitez de coincer, de tordre ou de pincer la meule avec la pièce ou d'appliquer une pression latérale excessive sur la meule.
5. Le couvercle du capot doit toujours se trouver entre la meule et l'utilisateur.
6. Assurez-vous que le levier de blocage du capot est en position fermée et que le capot est fixé fermement sur l'accessoire. Utilisez la clé Allen pour régler la vis de réglage du capot.
7. La profondeur de coupe maximale est de 3/4 po.

**MISE EN GARDE** Si on serre la vis de réglage du capot trop fort, on risque d'endommager définitivement le mécanisme de blocage. Contrôlez le serrage du levier après chaque tour complet donné à la vis de réglage.

**AVERTISSEMENT** Pour éviter que l'outil ne rebondisse ou qu'il soit abîmé, il faut toujours s'assurer que les flasques interne et externe ne touchent jamais la pièce.

8. En général, plus le matériau à tronçonner est dur, plus la meule s'usera rapidement.
9. Quand vous tronçonnez des matériaux épais, ne faites jamais la coupe en une seule passe. Faites des passes successives jusqu'à ce que vous atteigniez la profondeur désirée.

**Il est important de lire et comprendre le chapitre de ce mode d'emploi intitulé « Causes du rebond et façons dont l'opérateur peut le prévenir ».**

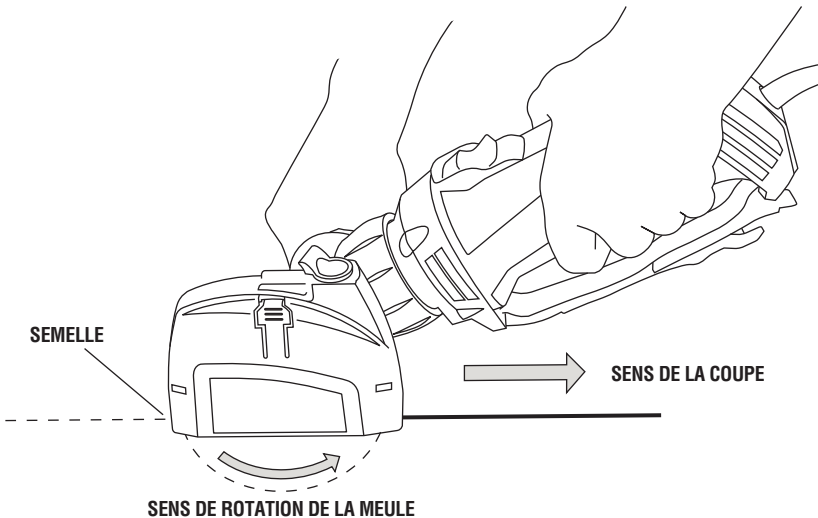
**Quand vous tronçonner de la tôle, de la maçonnerie, etc. :** vous pouvez soit démarrer la coupe à l'extrémité de la pièce, soit la démarrer en pénétrant n'importe où au milieu de la pièce.

Afin d'éviter les rebonds (la meule essaie de sauter et s'échapper de la pièce) il est conseillé de tronçonner en suivant le sens de rotation de la meule (Fig. 5).

### UTILISATION DE L'ORIFICE D'ASPIRATION

Votre accessoire de tronçonnage à meule Zipmate® a été conçu pour fonctionner avec l'équipement de contrôle de la poussière modèle DM5 de Rotozip. Veuillez consulter votre détaillant Rotozip local ou appeler le 1-877-ROTOZIP (1-877-768-6947) pour obtenir plus de renseignements.

FIG. 5



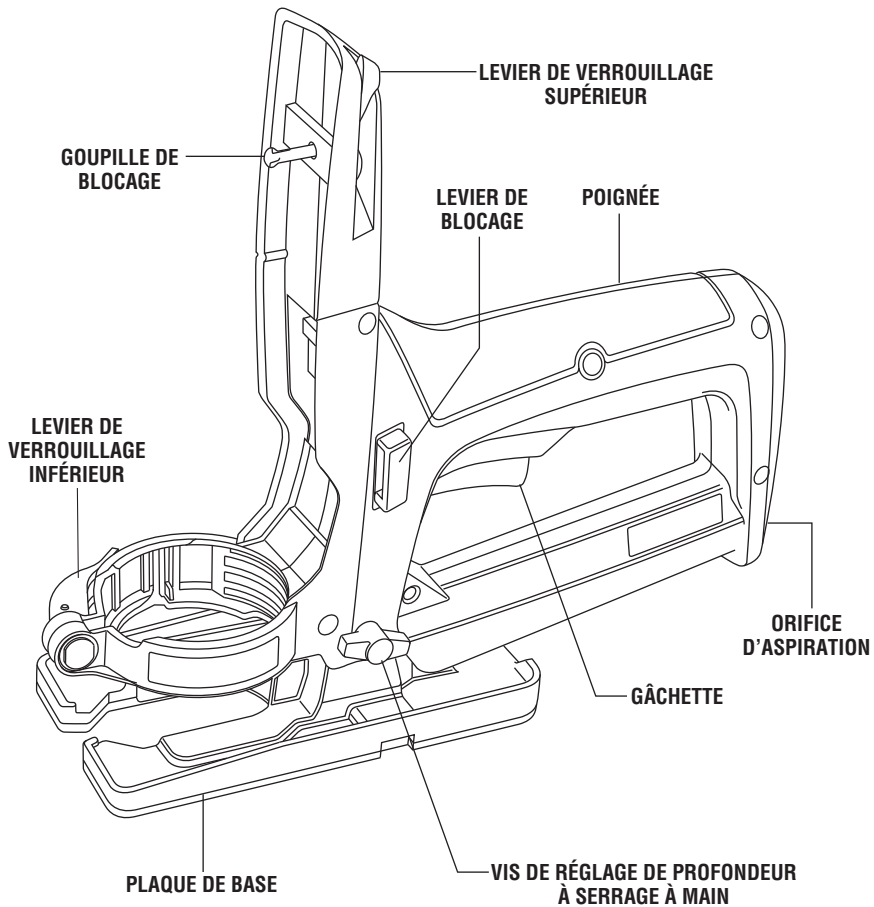
## Description fonctionnelle et spécifications

**⚠ AVERTISSEMENT** Débranchez la fiche de la prise de courant avant d'effectuer quelque assemblage ou réglage que ce soit ou de changer les accessoires. Ces mesures de sécurité préventive réduisent le risque d'une mise en marche accidentelle de l'outil.

### Poignée de scie à chantourner

**FIG. 1**

LA POIGNÉE N'EST PAS INCLUSE AVEC TOUS LES ÉQUIPEMENTS

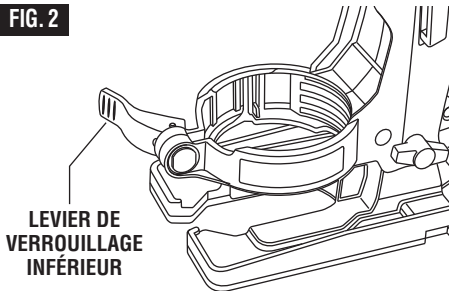




## MONTAGE ET DÉMONTAGE DE L'ACCESSOIRE DE POIGNÉE DE SCIE À CHANTOURNER

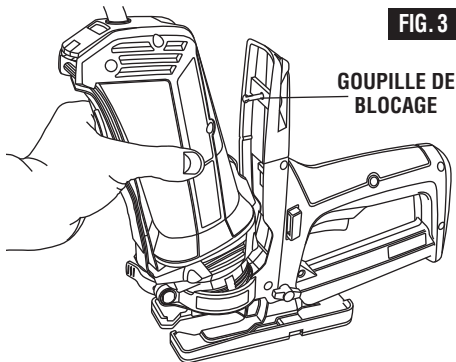
1. Retirez le guide de profondeur de l'outil.
2. Ouvrez le levier de verrouillage situé près de la base de l'accessoire (figure 2).

**FIG. 2**



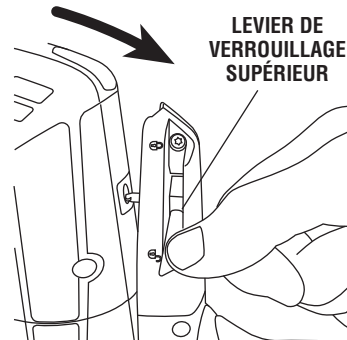
3. Insérez votre Spiral Saw®, l'interrupteur étant vers l'accessoire, comme cela est illustré à la figure 3. Appuyez fermement et serrez l'outil sur l'accessoire, en vous assurant que la goupille de blocage s'enclenche dans la rainure de butée correspondante sur la Spiral Saw®.

**FIG. 3**

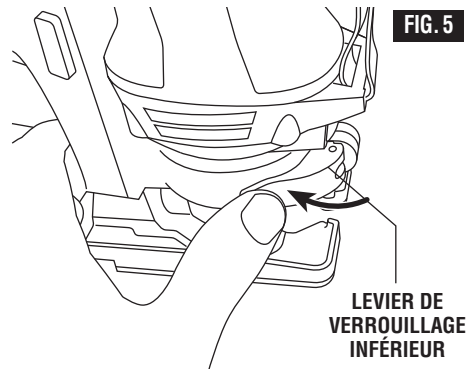


4. Faites tourner le levier de verrouillage supérieur jusqu'à la position de déverrouillage et pressez l'outil contre l'accessoire. La scie Spiral Saw® étant serrée fermement contre l'accessoire, relâchez le levier de verrouillage supérieur. Veillez à ce que les leviers de verrouillage inférieur et supérieur soient tous les deux dans leurs positions respectives de verrouillage (figures 4 et 5).

**FIG. 4**



**FIG. 5**



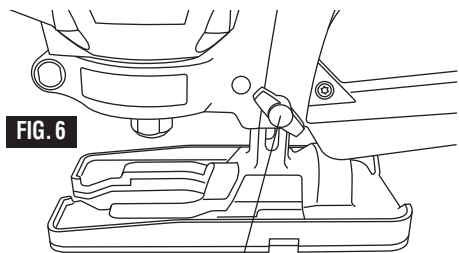
Pour démonter l'accessoire de poignée de scie à chantourner, inversez les étapes 2, 3 et 4.

## Consignes de fonctionnement

### RÉGLAGE DE LA PROFondeUR

Desserrez la vis de réglage de profondeur à serrage à main (tournez dans le sens inverse des aiguilles d'une montre) afin de changer la profondeur de coupe. Faites glisser la plaque de base jusqu'à la profondeur de coupe souhaitée, puis serrez la vis de réglage de profondeur à serrage à main (en tournant dans le sens des aiguilles d'une montre) (figure 6).

**FIG. 6**

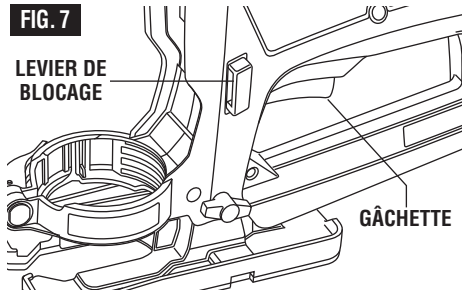


VIS DE RÉGLAGE DE PROFondeUR À SERRAGE À MAIN

### RÉALISATION D'UNE COUPE

1. Votre accessoire de poignée de scie à chantourner est équipé d'un interrupteur à gâchette. Faites glisser le levier de blocage (figure 7) d'un côté ou de l'autre à l'aide du pouce, puis appuyez sur la gâchette.

FIG. 7



2. Tout en tenant l'outil fermement, faites pénétrer l'embout dans le matériau à un angle de 45 degrés (figure 8).

3. Déplacez-le lentement jusqu'à ce qu'il atteigne un angle de 90 degrés afin de commencer la coupe. La plaque de base doit être à plat contre la surface du matériau à couper (figure 9).

4. Relâchez la gâchette pour désactiver votre outil après la coupe.

FIG. 8

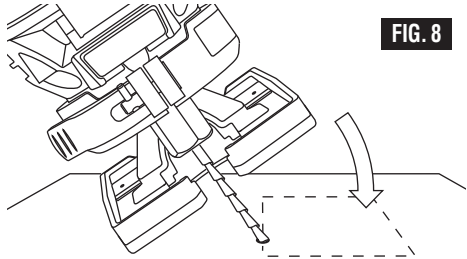
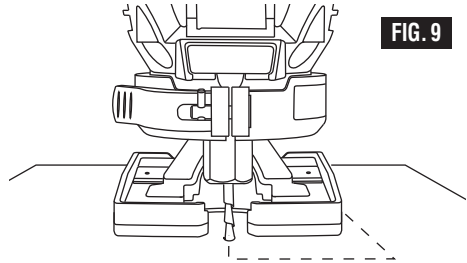


FIG. 9



## Entretien

### Service

**AVERTISSEMENT** Tout entretien préventif effectué par des personnels non autorisés peut résulter en mauvais placement de fils internes ou de pièces, ce qui peut présenter un danger grave. Nous vous conseillons de faire faire tout l'entretien de l'outil par un centre de service d'usine Bosch ou Rotozip ou une station service agréée Bosch. Appelez le 1-877-ROTOZIP (1-877-768-6947) si votre outil a besoin d'entretien.

### LUBRIFICATION DE L'OUTIL

Votre outil Rotozip a été lubrifié correctement en usine et il est prêt à l'utilisation. La lubrification effectuée en usine dure toute la vie utile de l'outil.

### BALAIS OU CHARBONS

Les balais (ou charbons) et le collecteur de votre outil ont été conçus pour apporter de nombreuses heures de fonctionnement fiable. Pour maintenir le rendement du moteur à son maximum, nous vous conseillons de contrôler les balais tous les deux à six mois. Il ne faut utiliser que des balais de rechange Bosch d'origine et conçus pour votre outil.

### PALIER

Votre outil et vos accessoires Rotozip contiennent des paliers étanches qui ont été conçus pour durer toute la

vie utile de l'outil. Si les paliers commencent à faire du bruit (à cause de surcharges importantes ou du toupillage de matériaux très abrasifs) il faut les inspecter immédiatement pour éviter la surchauffe ou une panne de moteur. Contactez votre centre de service d'usine Bosch ou Rotozip local si les paliers commencent à faire du bruit.

### Nettoyage

**AVERTISSEMENT** Pour éviter les accidents, il faut toujours débrancher l'outil avant de le nettoyer ou de l'entretenir. Le meilleur moyen de nettoyer l'outil est d'utiliser de l'air comprimé sec. Il faut toujours porter des lunettes de protection quand on utilise de l'air comprimé.

Les ouïes de ventilation et les leviers de l'interrupteur doivent rester propres et exempts de corps étrangers. Ne tentez pas de les nettoyer en enfonçant des objets pointus dans les orifices.

**MISE EN GARDE** Certains agents de nettoyages et certains dissolvants abîment les pièces en plastique. Parmi ceux-ci se trouvent: l'essence, le tétrachlorure de carbone, les dissolvants de nettoyage chlorés, l'ammoniaque ainsi que les détergents domestiques qui en contiennent.

## Cordons de rallonge

**AVERTISSEMENT** Si un cordon de rallonge s'avère nécessaire, vous devez utiliser un cordon avec conducteurs de dimension adéquate pouvant porter le courant nécessaire à votre outil. Ceci préviendra une chute excessive de tension, une perte de courant ou une surchauffe. Les outils mis à la terre doivent utiliser des cordons de rallonge trifilaires pourvus de fiches à trois broches ainsi que des prises à trois broches.

**REMARQUE** : Plus le calibre est petit, plus le fil est gros.

### DIMENSIONS DE RALLONGES RECOMMANDÉES OUTILS 120 VOLTS COURANT ALTERNATIF

Intensité nominale de l'outil	Calibre A.W.G.				Calibre en mm <sup>2</sup>			
	Longueur en pieds				Longueur en mètres			
	25	50	100	150	15	30	60	120
3-6	18	16	16	14	0,75	0,75	1,5	2,5
6-8	18	16	14	12	0,75	1,0	2,5	4,0
8-10	18	16	14	12	0,75	1,0	2,5	4,0
10-12	16	16	14	12	1,0	2,5	4,0	—
12-16	14	12	—	—	—	—	—	—

## Accessoires et compléments

**AVERTISSEMENT** Votre scie Rotozip Spiral Saw est compatible avec tout complément Rotozip affichant le symbole Rotozip Connect™. Cet emblème peut se trouver soit sur l'emballage du complément, soit sur le complément lui-même.

**AVERTISSEMENT** N'utilisez pas de mèches de coupe, de fers à toupie ou d'autres accessoires non approuvés avec ce produit sauf si une poignée de commande, telle que le complément de poignée de scie à chantourner, y est attachée.

## Compléments présentés

### Accessoire de coupe circulaire CRCT4

- Permet de couper rapidement des cercles sans bavures de 1 po à 12 po

### Équipement de contrôle de la poussière DM5

- Se connecte au guide de profondeur, à l'outil Zipmate ou à la poignée de scie à chantourner pour recueillir la poussière pendant que vous coupez.

- Un adaptateur/une agrafe pour courroie permet de la connexion à la plupart des aspirateurs d'atelier.

Votre scie Spiral Saw fonctionnera avec tous les embouts Rotozip, y compris les embouts Zip® et XBITS® et XCORES™. Elle sera aussi compatible avec toutes les meules Zip® et XWHEELS™.

### Embouts Zip®

La ligne brevetée Rotozip d'embouts et accessoires Zip polyvalents vous donne la flexibilité de passer rapidement d'un matériau à un autre et d'un travail à un autre, sans l'inconvénient d'avoir à changer d'outil.



Embout Zip® multifonctionnel Sabre-cut® (SC)

Embout Zip® à pointe standard pour cloisons sèches (ZB)

Embout Guidepoint® (GP)

Embout Zip® pour fenêtres et portes (WD)

Embout Zip®Fiberock® (FBR)

Embout Zip® pour carreaux de revêtement (TC)

Embout Zip® Duracut™ (DC)

#### **XBITS®**

Les embouts X-BITS ont été conçus pour des professionnels sérieux. Ils offrent la force et la vitesse des embouts de 5/32 po et la précision des embouts de 1/8 po, vous permettant ainsi de couper même les matériaux les plus durs, littéralement en quelques secondes.

Embout XBITS® pour cloisons sèches (XB-DW)

Embout XBITS® multifonctionnel (XB-MP)

Embout XBITS® pour carreaux de sol (XB-FT)

Embout XBITS® pour carreaux de revêtement (XB-TC)

Embout XBITS® pour sous-finition (XB-UL)

Embout XBITS® pour revêtements de sol laminés (XB-LF)

Embout XBITS® – métal (XB-MC)

Embout XBITS® de traçage (XB-MPGP)

#### **XCORES™**

La nouvelle ligne de scies cylindriques pour carreaux de RotoZip®, les XCORES™, a été conçue pour une meilleure performance et durabilité. Les scies XCORES fonctionnent à une plus grande vitesse et

sont munies d'une couronne diamant brasé qui peut supporter plus de chaleur, et elles sont conçues pour le travail à sec. Cela résulte en une scie cylindrique qui travaille dix fois plus vite et dure quatre fois plus longtemps que les scies cylindriques pour carreaux traditionnelles.

Scies XCORES™ de ¾ po (XC-T750)

Scies XCORES™ de 1 po (XC-T1000)

Scies XCORES™ de 1-3/8 po (XC-T1375)

#### **Meules Zip®**

Les meules Zip® permettent des opérations de tronçonnage rapides dans une variété de matériaux – avec une profondeur de coupe pouvant atteindre jusqu'à 9/16 po. Conçues spécifiquement pour utilisation avec l'accessoire Zipmate®, les meules Zip® vous permettent de réaliser des coupes dans des endroits confinés.

Meule Zip® – métal (RZMET)

Meule Zip® pour maçonnerie (RZMAS)

Meule Zip® – diamant (RZDIA)

#### **Meules XWHEELS™**

La forme unique de ces meules vous permet chaque fois de réaliser des coupes à ras et sans bavures. Grâce aux meules XWHEELS™ vous pouvez contrôler vos coupes quand cela est nécessaire et dans presque tous les matériaux.

Meules XWHEELS™ – métal (XW-MET)

Meules XWHEELS™ – bois (XW-WD)

Meules XWHEELS™ – carreaux (XW-TILE)



**ACCESSORY GUIDE | GUÍA DE ACCESORIOS | GUIDE DES ACCESSOIRES**



		Carreaux insonorisants	Acrylique	Bandage d'aluminium	Carreaux de fibreglass/ciment	Bois à revêtement mural en céramique	Bois à revêtement mural en céramique	Planches d'appui en fibre	Fibre de verre	Fibrock®	Coulis à murs ou à planchers	Granite	Bois franc	Stratifiés	Lattes	Marbre	Métal	Panneaux OSB	Plâtre	Plastique	Contreplaqué	Carreaux de sol en porcelaine et en céramique	Mosaïques à surface solide	Stuc	Bardage en vinyle	Bois	Composites de bois
<b>XBITS</b>	TAILLE DE LA QUEUE																										
<b>XB-DW</b>	5/32"	•			•					•																	
<b>XB-MP</b>	5/32"	•	•	•	•	•				•	•	•	•					•	•	•		•	•	•	•	•	•
<b>XB-MPGP</b>	5/32"	•	•				•			•	•	•	•					•	•	•		•	•	•	•	•	•
<b>XB-FT</b>	5/32"			•	•						•					•					•						
<b>XB-TC</b>	5/32"			•	•									•	•			•					•				
<b>XB-JUL</b>	5/32"			•			•		•																		
<b>XB-MC</b>	5/32"																•										
<b>XB-LF</b>	5/32"												•														
<b>EMBOUTS ZIP®</b>																											
<b>FBR</b>	1/4"								•		•																
<b>GP</b>	1/8"	•			•					•																	
<b>WD</b>	1/4"				•					•																	
<b>ZB</b>	1/8"	•			•					•																	
<b>SC</b>	1/8"	•	•	•	•		•		•	•	•	•	•				•	•	•	•	•	•	•	•	•	•	•
<b>GR125</b>	1/4"								•																		
<b>GR250</b>	1/4"								•																		
<b>TC</b>	1/8"		•	•										•	•			•					•				
<b>DC</b>	1/4"		•											•				•					•				
<b>XCORES</b>																											
<b>XC-T</b>	1/4"			•							•				•						•						
<b>XWHEELS</b>																											
<b>XW-WD</b>												•	•				•			•							•
<b>XW-TILE</b>				•						•						•					•						
<b>XW-MET</b>																•											
<b>MEULES ZIP®</b>																											
<b>RZDIA</b>					•				•		•				•						•						
<b>RZMAS</b>			•	•			•																				
<b>RZMET</b>			•													•											



## Advertencias generales de seguridad para herramientas mecánicas

### **ADVERTENCIA**

Lea todas las advertencias de seguridad e instrucciones. Si no se siguen las advertencias e instrucciones, el resultado podría ser sacudidas eléctricas, incendio y/o lesiones graves.

### GUARDE TODAS LAS ADVERTENCIAS E INSTRUCCIONES PARA REFERENCIA FUTURA

La expresión "herramienta mecánica" en todas las advertencias se refiere a su herramienta mecánica alimentada por la red eléctrica (herramienta alámbrica) o su herramienta mecánica alimentada por baterías (herramienta inalámbrica).

#### Seguridad del área de trabajo

**Mantenga el área de trabajo limpia y bien iluminada.** Las áreas desordenadas u oscuras invitan a que se produzcan accidentes.

**No utilice herramientas mecánicas en atmósferas explosivas, como por ejemplo en presencia de líquidos, gases o polvos inflamables.** Las herramientas mecánicas generan chispas que pueden incendiar el polvo o los vapores.

**Mantenga alejados a los niños y a las personas que estén presentes mientras esté utilizando una herramienta mecánica.** Las distracciones pueden hacerle perder el control de la herramienta.

#### Seguridad eléctrica

**Los enchufes de las herramientas mecánicas deben coincidir con el tomacorriente. No modifique nunca el enchufe de ningún modo. No use enchufes adaptadores con herramientas mecánicas conectadas a tierra (puestas a tierra).** Los enchufes no modificados y los tomacorrientes coincidentes reducirán el riesgo de sacudidas eléctricas.

**Evite el contacto del cuerpo con las superficies conectadas o puestas a tierra, tales como tuberías, radiadores, estufas y refrigeradores.** Hay un aumento del riesgo de sacudidas eléctricas si el cuerpo del operador se conecta o pone a tierra.

**No exponga las herramientas mecánicas a la lluvia o a condiciones mojadas.** La entrada de agua en una herramienta mecánica aumentará el riesgo de que se produzcan sacudidas eléctricas.

**No maltrate el cordón de energía. No use nunca el cordón para transportar la herramienta mecánica, tirar de ella o desenchufarla. Mantenga el cordón alejado del calor, el aceite, los bordes afilados o las piezas móviles.** Los cordones dañados o enganchados aumentan el riesgo de que se produzcan sacudidas eléctricas.

**Cuando utilice una herramienta mecánica en el exterior, use un cordón de extensión adecuado para uso a la intemperie.** La utilización de un cordón adecuado para uso a la intemperie reduce el riesgo de que se produzcan sacudidas eléctricas.

**Si es inevitable utilizar una herramienta mecánica en un lugar húmedo, utilice una fuente de energía**

**protegida por un interruptor de circuito accionado por corriente de pérdida a tierra (GFCI).** El uso de un GFCI reduce el riesgo de sacudidas eléctricas.

#### Seguridad personal

**Manténgase alerta, fíjese en lo que está haciendo y use el sentido común cuando esté utilizando una herramienta mecánica. No use una herramienta mecánica cuando esté cansado o bajo la influencia de drogas, alcohol o medicamentos.** Un momento de distracción mientras esté utilizando herramientas mecánicas podría causar lesiones corporales graves.

**Use equipo de protección personal. Use siempre protección de los ojos.** El equipo de protección, como por ejemplo una máscara antipolvo, calzado de seguridad antideslizante, casco o protección de oídos, utilizado para las condiciones apropiadas, reducirá las lesiones corporales.

**Evite el arranque accidental. Asegúrese de que el interruptor esté en la posición de apagado antes de conectar la herramienta a la fuente de energía y / o al paquete de batería, levantar la herramienta o transportarla.** Transportar herramientas mecánicas con un dedo en el interruptor o encender herramientas mecánicas que tengan el interruptor en la posición de encendido invita a que se produzcan accidentes.

**Quite todas las llaves de ajuste o de tuerca antes de encender la herramienta mecánica.** Una llave de tuerca o de ajuste que se deje colocada en una pieza giratoria de la herramienta mecánica podría causar lesiones corporales.

**No intente alcanzar demasiado lejos. Mantenga un apoyo de los pies y un equilibrio apropiados en todo momento.** Esto permite controlar mejor la herramienta mecánica en situaciones inesperadas.

**Vístase adecuadamente. No use ropa holgada ni alhajas holgadas. Mantenga el pelo, la ropa y los guantes alejados de las piezas móviles.** La ropa holgada, las alhajas holgadas o el pelo largo pueden quedar atrapados en las piezas móviles.

**Si se proporcionan dispositivos para la conexión de instalaciones de extracción y recolección de polvo, asegúrese de que dichas instalaciones estén conectadas y se usen correctamente.** El uso de dispositivos de recolección de polvo puede reducir los peligros relacionados con el polvo.



## Uso y cuidado de las herramientas mecánicas

**No fuerce la herramienta mecánica. Use la herramienta mecánica correcta para la aplicación que desee realizar.** La herramienta mecánica correcta hará el trabajo mejor y con más seguridad a la capacidad nominal para la que fue diseñada.

**No use la herramienta mecánica si el interruptor no la enciende y apaga.** Toda herramienta mecánica que no se pueda controlar con el interruptor es peligrosa y debe ser reparada.

**Desconecte el enchufe de la fuente de energía y/o el paquete de batería de la herramienta mecánica antes de hacer cualquier ajuste, cambiar accesorios o almacenar herramientas mecánicas.** Dichas medidas preventivas de seguridad reducen el riesgo de arrancar accidentalmente la herramienta mecánica.

**Guarde las herramientas que no esté usando fuera del alcance de los niños y no deje que personas que no estén familiarizadas con la herramienta mecánica o con estas instrucciones utilicen la herramienta.** Las herramientas mecánicas son peligrosas en manos de usuarios que no hayan recibido capacitación.

**Mantenga las herramientas mecánicas. Compruebe si hay piezas móviles desalineadas o que se atoran, si**

**hay piezas rotas y si existe cualquier otra situación que podría afectar el funcionamiento de la herramienta mecánica. Si la herramienta mecánica está dañada, haga que la reparen antes de usarla.** Muchos accidentes son causados por herramientas mecánicas mantenidas deficientemente.

**Mantenga las herramientas de corte afiladas y limpias.** Es menos probable que las herramientas de corte mantenidas apropiadamente, con bordes de corte afilados, se atoren, y dichas herramientas son más fáciles de controlar.

**Utilice la herramienta mecánica, los accesorios, las brocas de la herramienta, etc., de acuerdo con estas instrucciones, teniendo en cuenta las condiciones de trabajo y el trabajo que se vaya a realizar.** El uso de la herramienta mecánica para operaciones distintas a aquéllas para las que fue diseñada podría causar una situación peligrosa.

### Servicio de ajustes y reparaciones

**Haga que su herramienta mecánica reciba servicio de un técnico de reparaciones calificado, utilizando únicamente piezas de repuesto idénticas.** Esto asegurará que se mantenga la seguridad de la herramienta mecánica.

## Advertencias de seguridad adicionales

Un GFCI y los dispositivos de protección personal, como guantes de goma y calzado de goma de electricista, mejorarán más su seguridad personal.

**No use herramientas mecánicas con capacidad nominal solamente para CA con una fuente de energía de CC.** Aunque pueda parecer que la herramienta funciona correctamente, es probable que los componentes eléctricos de la herramienta con capacidad nominal para CA fallen y creen un peligro para el operador.

**Mantenga los mangos secos, limpios y libres de aceite y grasa.** Las manos resbalosas no pueden controlar de modo seguro la herramienta mecánica.

**Use abrazaderas u otro modo práctico de sujetar y soportar la pieza de trabajo en una plataforma estable.** Si se sujeta la pieza de trabajo con la mano o contra el cuerpo, se crea una situación inestable que podría causar pérdida de control.

**Desarrolle un programa de mantenimiento periódico de la herramienta. Cuando limpie una herramienta, tenga cuidado de no desmontar ninguna de sus partes, ya que los cables internos podrían reubicarse incorrectamente o pellizcarse, o los resortes de retorno de los protectores de seguridad podrían montarse incorrectamente.** Ciertos agentes de

limpieza, tales como gasolina, tetracloruro de carbono, amoníaco, etc., podrían dañar las piezas de plástico.

Riesgo de lesiones para el usuario. El cordón de energía debe recibir servicio de ajustes y reparaciones solamente por un Centro de Servicio de Fábrica Rotozip o una Estación de Servicio Rotozip Autorizada.

**⚠ ADVERTENCIA** Cierta polvos generados por el lijado, aserrado, amolado y taladrado mecánicos, y por otras actividades de construcción, contiene agentes químicos que se sabe que causan cáncer, defectos de nacimiento u otros daños sobre la reproducción. Algunos ejemplos de estos agentes químicos son:

- Plomo de pinturas a base de plomo,
- Sílice cristalina de ladrillos y cemento y otros productos de mampostería, y
- Arsénico y cromo de madera tratada químicamente.

Su riesgo por causa de estas exposiciones varía, dependiendo de con cuánta frecuencia realice este tipo de trabajo. Para reducir su exposición a estos agentes químicos: trabaje en un área bien ventilada y trabaje con equipo de seguridad aprobado, como por ejemplo máscaras antipolvo que estén diseñadas especialmente para impedir mediante filtración el paso de partículas microscópicas.

## Normas de seguridad para la Spiral Saw™

**Sujete siempre la herramienta por las superficies de agarre aisladas al realizar una operación en la que la herramienta de corte pueda entrar en contacto con cables ocultos o con su propio cordón.** El contacto con un cable con corriente transmitirá corriente a las piezas metálicas al descubierto y hará que el operador reciba sacudidas eléctricas. *Si el corte en paredes existentes u otras áreas ciegas donde puedan existir cables eléctricos es inevitable, desconecte todos los fusibles o cortacircuitos que alimentan el lugar de trabajo.*

**Asegúrese siempre de que la superficie de trabajo no tenga clavos ni otros objetos extraños.** El corte de un clavo puede hacer que la broca y la herramienta salten y que la broca se dañe.

**Nunca tenga la pieza de trabajo en una mano y la herramienta en la otra al utilizarla. Nunca ponga las manos cerca o debajo de la superficie de corte.** Es más seguro fijar con abrazaderas el material y guiar la herramienta con ambas manos.

**Nunca ponga la pieza de trabajo sobre superficies duras, tales como hormigón, piedra, etc...** la broca de corte que sobresale podrá hacer que la herramienta salte.

**Use siempre gafas de seguridad y máscara antipolvo. Use la herramienta únicamente en un área bien ventilada.** La utilización de dispositivos de seguridad personal y el trabajar en un entorno seguro reducen el riesgo de que se produzcan lesiones.

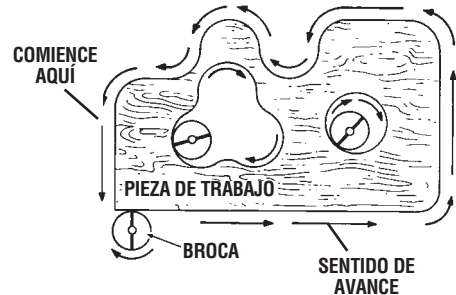
**Después de cambiar las brocas o de hacer ajustes, asegúrese de que la tuerca del portaherramienta y otros dispositivos de ajuste estén apretados firmemente.** Un dispositivo de ajuste flojo puede desplazarse inesperadamente, causando pérdida de control, y los componentes giratorios flojos saldrán despedidos violentamente.

**Nunca arranque la herramienta cuando la broca esté acoplada en el material.** El borde de corte de la broca puede engancharse en el material, causando pérdida de control de la cortadora.

**Sujete siempre la herramienta con las dos manos durante el arranque.** El par de reacción del motor puede hacer que la herramienta se tuerza

**Cuando frese o corte, el sentido de avance con el borde de corte de la broca introducido en el material es muy importante. Haga avanzar siempre la broca hacia el material en el mismo sentido en que el borde de corte esté saliendo del material.** Al mirar a la

herramienta desde arriba, la broca gira en el sentido de las agujas del reloj. Si la herramienta está entre la pieza de trabajo y el cuerpo del operador, haga avanzar la herramienta hacia la derecha. Si la pieza de trabajo está entre la herramienta y el cuerpo del operador, haga avanzar la herramienta hacia la izquierda. Si se hace avanzar la herramienta en sentido incorrecto, se hace que el borde de corte de la broca trepe, se salga de la pieza de trabajo y tire de la herramienta en el sentido de este avance.



**Nunca use brocas desafiladas o dañadas. Las brocas afiladas se deben manejar con cuidado.** Las brocas dañadas pueden romperse bruscamente durante el uso. Las brocas desafiladas requieren más fuerza para empujar la herramienta, con lo que es posible que la broca se rompa.

**Nunca toque la broca durante ni inmediatamente después de la utilización.** Después del uso, la broca está demasiado caliente como para tocarla con las manos desnudas.

**Nunca deje la herramienta hasta que el motor se haya detenido por completo.** La broca que gira puede engancharse en la superficie y tirar de la herramienta haciendo que usted pierda el control.

**Nunca utilice brocas que tengan un diámetro de corte mayor que la abertura de la base.**

**No utilice la herramienta para taladrar.** Esta herramienta no está diseñada para uso con brocas taladradoras.

**Use siempre la herramienta con la guía de profundidad colocada firmemente y posicionada plana contra el material que se está cortando.** El posicionamiento firme de la guía sobre el material mejora la estabilidad y el control de la herramienta.





## Normas de seguridad para el aditamento de rueda abrasiva Zipmate

Utilice siempre el protector de la rueda y el mango auxiliar con esta Zipmates de rueda abrasiva. El protector siempre debe estar colocado firmemente en la herramienta y posicionado de manera que proporcione máxima seguridad, de forma que la cantidad de rueda que quede al descubierto sea mínima en el lado de la herramienta en que se encuentra el operador. Un protector protege al operador contra los fragmentos desprendidos de una rueda que se rompa. Las nervaduras de soporte y el mango auxiliar proporcionan protección, estabilidad y control adicionales en aplicaciones de corte. El cuerpo de la herramienta Rotozip o del aditamento Zipmate también se puede usar como mango.

**Asegúrese siempre de que el protector de la rueda y el mango auxiliar se hayan vuelto a montar y estén sujetos firmemente a la herramienta al cambiar el punto de funcionamiento de disparo de avance a disparo inverso o después de cambiar las ruedas.** Es peligroso utilizar una herramienta a la que le falte un componente de seguridad esencial.

Use indumentaria adecuada mientras utiliza una herramienta de rueda abrasiva. Careta protectora o al menos anteojos de seguridad, máscara antipolvo, guantes de cuero y delantal de taller capaces de detener pequeños fragmentos de la rueda o de la pieza de trabajo.

Este aditamento no está diseñado para utilizarse con ruedas adiamantadas para cortar en húmedo. La utilización de agua u otros refrigerantes líquidos con esta herramienta puede ocasionar electrocución o sacudidas eléctricas. El uso de ruedas adiamantadas secas es aceptable.

Utilice únicamente ruedas abrasivas de corte de tipo 1 con el agujero para eje portaherramienta de tamaño correcto. No utilice nunca pestañas de rueda dañadas o incorrectas ni una tuerca redonda. Otros tipos de ruedas no están diseñados para aplicar carga en la periferia y pueden hacerse pedazos. Las ruedas con agujeros para eje portaherramienta que no coincidan con la tornillería de montaje de la herramienta funcionarán excéntricamente, vibrarán excesivamente y causarán pérdida de control.

No amuele en el lado de ruedas abrasivas de corte de tipo 1. Las fuerzas laterales aplicadas a estas ruedas pueden hacer que salten en pedazos.

No utilice este aditamento con una hoja para "tallar madera" ni con hojas dentadas estándar para cortar madera. Estas hojas no están diseñadas para esta herramienta y pueden ocasionar pérdida de control durante el uso.

Las ruedas abrasivas de corte deben tener una velocidad máxima de funcionamiento con seguridad superior a las "RPM sin carga" indicadas en el aditamento. Las ruedas que estén funcionando a una

velocidad superior a la nominal pueden romperse, salir despedidas y causar lesiones.

Antes de cada uso, inspeccione la rueda de corte para ver si tiene astillas y grietas. No utilice ninguna rueda que pueda estar dañada. Instale una rueda nueva si la herramienta se ha caído. Al instalar una rueda nueva, maneje cuidadosamente cada una de las ruedas de corte para evitar que se astillen o se agrieten. Haga funcionar la herramienta sin carga durante un minuto, sujetándola de manera que esté orientada alejándose de las personas que se encuentren presentes. Normalmente, las ruedas con defectos se romperán durante este período. Los fragmentos de una rueda que revienta durante el funcionamiento saldrán despedidos a gran velocidad, posiblemente golpeándole a usted o a las personas que se encuentren presentes.

No utilice una rueda de corte cuyo tamaño sea mayor que el tamaño máximo recomendado para la herramienta, ni ruedas desgastadas o dañadas provenientes de herramientas de rueda abrasiva más grandes. Las ruedas diseñadas para herramientas más grandes no son adecuadas para la velocidad más alta de una herramienta más pequeña. Estas ruedas pueden reventar fácilmente y los fragmentos pueden golpearles a usted o a las personas que se encuentren presentes.

Sítue el cordón alejado de la rueda que gira. No se enrolle el cordón alrededor del brazo o de la muñeca. Si pierde el control de la herramienta y tiene el cordón enrollado alrededor del brazo o de la muñeca, éste puede atraparle y causarles lesiones.

Mantenga el cuerpo situado a uno de los lados de la rueda, pero no en línea con la rueda. Es importante soportar la herramienta adecuadamente y situar el cuerpo de manera que se minimice la exposición del mismo a un posible atasco de la rueda y el retroceso de la herramienta.

Mantenga las manos alejadas del área de corte y de la rueda. Mantenga la segunda mano en el mango auxiliar. Sujete la herramienta firmemente para evitar la pérdida de control. NUNCA ponga la mano detrás de la rueda, ya que la herramienta puede experimentar retroceso sobre la mano. No intente retirar el material cortado cuando la rueda se está moviendo. Si ambas manos están sujetando la herramienta, la rueda no puede cortarlas.

No "trabe" la rueda abrasiva en la pieza de trabajo, ni ejerza una presión excesiva ni intente utilizar profundidades de corte más grandes mientras utiliza esta herramienta. Deje que la rueda que gira haga el trabajo. Las herramientas de rueda abrasiva están diseñadas para "cortar" el material en una serie de cortes de poca profundidad. Consulte las instrucciones sobre la profundidad de corte que aparecen más adelante en este manual.



Evite hacer rebotar y enganchar la rueda, especialmente al trabajar en esquinas, bordes afilados, etc. Esto puede causar pérdida de control y retroceso de la herramienta.

**No tenga la herramienta en marcha mientras la lleva a su lado.** El contacto accidental con la rueda que gira podría causar lesiones personales graves.

**Nunca deje la herramienta en ningún sitio hasta que el motor se haya detenido por completo.** La rueda que gira puede engancharse en la superficie y tirar de la herramienta haciendo que usted pierda el control.

**No utilice el aditamento Zipmate cerca de materiales inflamables.** Las chispas generadas por la rueda podrían incendiar estos materiales.

**No corte ni intente cortar nunca magnesio con este aditamento.** El polvo generado cuando se corta magnesio es altamente inflamable y puede ser explosivo bajo ciertas condiciones.

**Limpie periódicamente las aberturas de ventilación de la herramienta utilizando aire comprimido.** La acumulación excesiva de metal en polvo en el interior de la caja protectora del motor puede causar fallos eléctricos.

**Causas del retroceso y su prevención por el operador:**  
**El retroceso** es una reacción repentina a una rueda que se pellizca, atasca o desalinea mientras está girando. La rueda puede detenerse y hacer que la herramienta fuera de control **retroceda** saliendo del corte en dirección al operador cuando se encuentra en la posición de "disparo de avance". Si la herramienta está ajustada en la posición de "disparo inverso", puede tender a **desplazarse** alejándose del operador. La flecha de sentido de rotación ubicada en el lado trasero del protector se puede utilizar para identificar las posiciones de "disparo de avance" y "disparo inverso". El aditamento está en la posición de disparo de avance cuando la flecha direccional está señalando hacia el operador, y está en la posición de disparo inverso cuando la flecha está señalando alejándose del operador.

Si una rueda abrasiva o una rueda adiamantada se tuerce o desalinea en el interior del corte, el lado de la rueda que

está entrando en el material puede penetrar en la superficie superior del mismo, haciendo que la rueda se **salga** del corte o experimente **retroceso** dirigiéndose hacia el operador o alejándose de éste, según la orientación de **disparo de avance** o **disparo inverso**.

Las ruedas abrasivas también pueden hacerse pedazos en estas condiciones, haciendo que los pedazos o fragmentos golpeen al operador y a las personas que se encuentren presentes o haciendo que se les claven. El retroceso o las ruedas hechas pedazos son el resultado del uso incorrecto de la herramienta o de procedimientos incorrectos de utilización o condiciones inadecuadas y pueden evitarse tomando precauciones adecuadas según se indica a continuación:

**Mantenga un agarre firme con las dos manos en los mangos de la herramienta y sitúe el cuerpo y el brazo de manera que le permitan resistir las fuerzas de retroceso.** El operador puede controlar las fuerzas de retroceso si se toman precauciones adecuadas.

**Cuando la rueda se atasque, o al interrumpir un corte por cualquier razón, saque lentamente la rueda del material a la vez que mantiene un agarre firme de la herramienta y del mango auxiliar con las dos manos.** Investigue y tome medidas correctoras para eliminar la causa de que la rueda se atasque.

**Al volver a poner en marcha una herramienta en una pieza de trabajo, centre la rueda en la separación de corte y compruebe que los lados de la rueda no estén acoplados en el material.** Si la rueda se atasca, puede desplazarse hacia arriba o retroceder respecto a la pieza de trabajo al volver a poner en marcha la herramienta.

**Soporte los paneles grandes para minimizar el riesgo de pellizcamiento de la rueda y retroceso.** Los paneles grandes tienden a combarse bajo su propio peso. Deben colocarse soportes bajo el panel a ambos lados, cerca de la línea de corte y cerca del borde del panel.

**Tenga precaución adicional al hacer un "corte de bolsillo" en paredes existentes o en otras áreas ciegas.** La rueda que sobresale puede cortar objetos que pueden causar retroceso.

## Normas de seguridad para el aditamento de mango de sierra caladora

**ADVERTENCIA** No utilice ninguna broca de fresadora con un diámetro de corte superior a 1/4" con el aditamento de mango de sierra caladora.

**ADVERTENCIA** Cuando utilice una broca con vástago de 1/4" o cualquier broca de fresadora con el aditamento de mango de sierra caladora, la tuerca del portaherramienta se debe apretar usando la llave de tuerca suministrada. El apriete con los dedos no es suficiente para las brocas de fresadora.

**ADVERTENCIA** Indique el sentido de rotación de la broca. Cuando se ve desde arriba, dicho sentido es en el sentido de las agujas del reloj. Cuando se ve desde el extremo de la broca, dicho sentido es en sentido contrario al de las agujas del reloj.

Antes de realizar cualquier trabajo con el aditamento de sierra caladora, apriete fuertemente el tornillo de ajuste de profundidad.

## Símbolos

**IMPORTANTE:** Es posible que algunos de los símbolos siguientes se usen en su herramienta. Por favor, estúdielos y aprenda su significado. La interpretación adecuada de estos símbolos le permitirá utilizar la herramienta mejor y con más seguridad.

Símbolo	Nombre	Designación/explicación
V	Volt	Tensión (potencial)
A	Ampere	Corriente
Hz	Hertz	Frecuencia (ciclos por segundo)
W	Watt	Potencia
kg	Kilogramo	Peso
min	Minuto	Tiempo
s	Segundo	Tiempo
$\varnothing$	Diámetro	Tamaño de las brocas taladradoras, muelas, etc
$n_0$	Velocidad sin carga	Velocidad rotacional sin carga
.../min	Revoluciones o alternación por minuto	Revoluciones, golpes, velocidad de superficie, órbitas, etc., por minuto
0	Posición "off" (apagado)	Velocidad cero, par motor cero...
1, 2, 3, ... I, II, III,	Graduaciones del selector	Graduaciones de velocidad, par motor o posición. Un número más alto significa mayor velocidad
	Selector infinitamente variable con apagado	La velocidad aumenta desde la graduación de 0
	Flecha	Acción en la dirección de la flecha
	Corriente alterna	Tipo o una característica de corriente
	Corriente continua	Tipo o una característica de corriente
	Corriente alterna o continua	Tipo o una característica de corriente
	Construcción de clase II	Designa las herramientas de construcción con aislamiento doble.
	Terminal de toma de tierra	Terminal de conexión a tierra
	Símbolo de advertencia	Alerta al usuario sobre mensajes de advertencia
	Sello RBRC de Li-ion	Designa el programa de reciclaje de baterías de Li-ion



Este símbolo indica que esta herramienta está catalogada por Underwriters Laboratories.



Este símbolo indica que la Canadian Standards Association ha catalogado esta herramienta indicando que cumple con las normas estadounidenses y canadienses.



Este símbolo indica que esta herramienta cumple con la norma mexicana oficial (NOM).



Este símbolo indica que esta herramienta está catalogada por la Canadian Standards Association.



Este símbolo indica que Underwriters Laboratories ha catalogado esta herramienta indicando que cumple con las normas estadounidenses y canadienses.



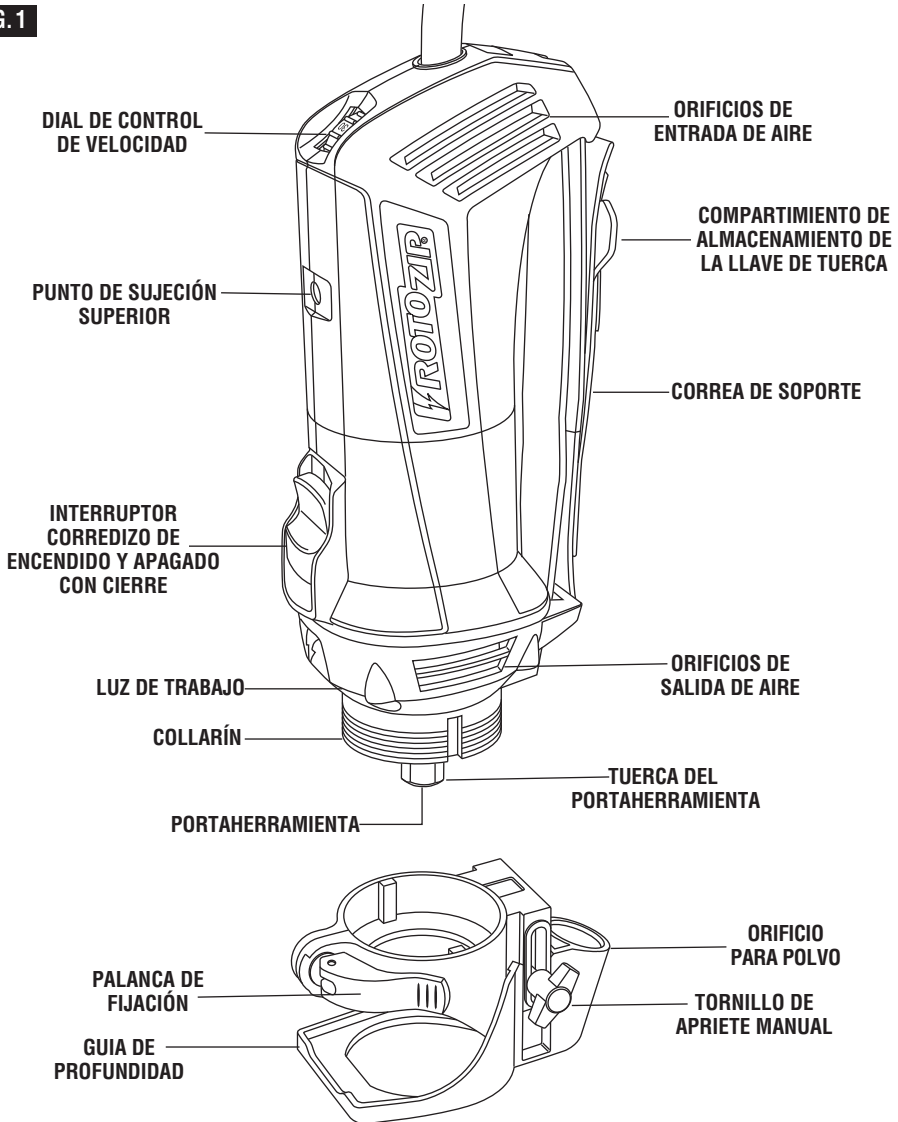
Este símbolo indica que Intertek Testing Services ha catalogado esta herramienta indicando que cumple con las normas estadounidenses y canadienses.

## Descripción funcional y especificaciones

**ADVERTENCIA** Desconecte el enchufe de la fuente de energía antes de realizar cualquier ensamblaje o ajuste, o cambiar accesorios. Estas medidas de seguridad preventivas reducen el riesgo de arrancar la herramienta accidentalmente.

### Spiral Saw™

FIG. 1



**NOTA:** Para obtener las especificaciones de la herramienta, consulte la placa del fabricante colocada en la herramienta.

## Ensamblaje

**⚠ ADVERTENCIA** Desconecte el enchufe de la fuente de energía antes de realizar cualquier ensamblaje o ajuste, o cambiar accesorios. Estas medidas de seguridad preventivas reducen el riesgo de arrancar la herramienta accidentalmente. Asegúrese de que la tuerca del portaherramienta esté apretada firmemente antes de encender la herramienta.

### DESMONTAJE E INSTALACIÓN DEL ENSAMBLAJE DE LA GUÍA DE PROFUNDIDAD

El ensamblaje de la guía de profundidad consta de la guía de profundidad, el tornillo de fijación y un soporte.

Con el fin de quitar la guía de profundidad de la herramienta, suelte la palanca de fijación y tire todo el ensamblaje directamente hacia fuera de la herramienta. Para volver a acoplar el ensamblaje, vuelva a colocar completamente la guía en el collarín de la herramienta y fije la palanca de sujeción (figura 1).

### INSTALACIÓN DE LAS BROCAS

Las brocas son sujetadas mediante un sistema de portaherramienta de apriete sin llave diseñado específicamente para brocas de sierra espiral con vástagos de 1/8" (0.125"), 1/4" (0.250") ó 5/32" (0.156").

**⚠ ADVERTENCIA** Las estrías de las brocas están afiladas y deben manejarse con precaución.

Presione y mantenga presionado el cierre del eje y gire la tuerca del portaherramienta y el eje hasta que el cierre del eje se acople y mantenga sujeto el eje.

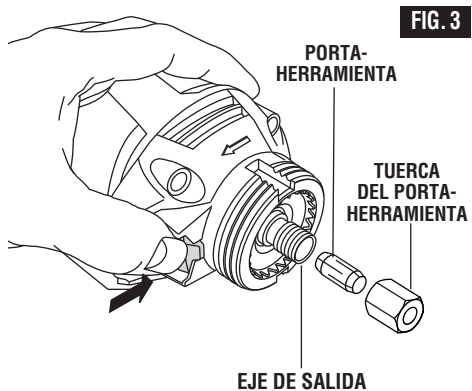
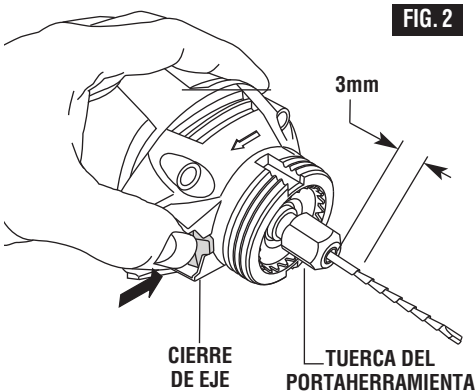
**⚠ PRECAUCIÓN** Para evitar daños a la herramienta. Nunca use el cierre del eje como dispositivo de frenado para hacer que la herramienta deje de girar.

Utilice la llave de tuerca del equipo estándar para aflojar la tuerca (en sentido contrario al de las agujas del reloj) (Fig. 2). Quite la broca vieja (en caso de que la haya) e introduzca la broca nueva tanto como sea posible, pero no tanto que las estrías de la broca se acoplen en el

portaherramienta (deje aproximadamente 1/8" del vástago de la broca al descubierto). Reacople el cierre del eje y apriete la tuerca (en el sentido de las agujas del reloj) a mano y luego con la llave de tuerca hasta que esté firmemente sujeta.

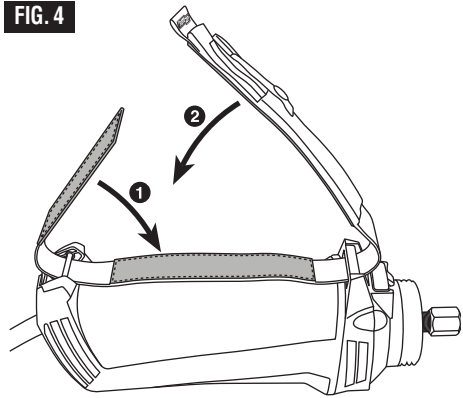
### CAMBIO DEL PORTAHERRAMIENTA

El portaherramienta de 1/8" (0.125") se usa con brocas de 1/8" (0.125") de diámetro, el portaherramienta de 1/4" (0.250") se usa con brocas de 1/4" (0.250") de diámetro y la de 5/32" (0.156") con brocas de 5/32" (0.156"). Para cambiar el portaherramienta, primero retire la broca. Continúe aflojando y desenrosque la tuerca de el portaherramienta hasta que pueda retirarla de la herramienta y reemplácela con otra (Fig. 3) (puede usarse cualquiera de los dos extremos de el portaherramienta). Con la mano vuelva a apretar la tuerca de el portaherramienta en el portaherramienta girando hacia la derecha. Ahora puede insertar una nueva broca como se indica en instalación de las brocas (Fig. 2).



### INSTALACIÓN DE LA CORREA DE SOPORTE

Con el bolsillo de almacenamiento de la llave de tuerca orientado hacia abajo, inserte el extremo de la correa opuesto al logotipo Rotozip® a través de la barra ubicada cerca de la parte delantera de la herramienta, de la manera que se muestra en la ilustración. Continúe insertando la correa a través de la barra trasera ubicada cerca del cordón. Doble primero el extremo trasero (1) y luego doble el extremo que tiene el logotipo Rotozip® (2), de la manera que se muestra en la figura 4. Presione firmemente para asegurarse de que la correa esté bien sujeta.



## Instrucciones de funcionamiento

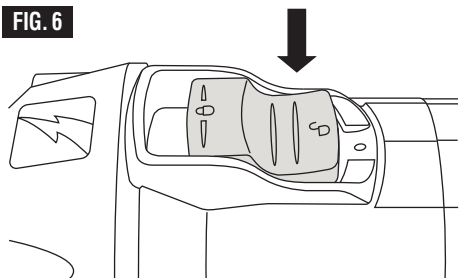
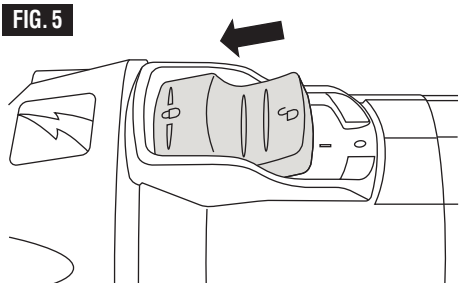
### INTERRUPTOR CORREDIZO DE ENCENDIDO Y APAGADO CON CIERRE

La herramienta se ENCIENDE mediante el botón del interruptor ubicado en el lado de la caja protectora del motor (Fig. 5). El interruptor se puede bloquear en la posición de "ENCENDIDO", una función conveniente para las operaciones de corte prolongadas.

PARA ENCENDER LA HERRAMIENTA sin bloquearla, deslice el botón del interruptor hacia delante, ejerciendo presión SOLAMENTE en la parte TRASERA del botón. Cuando se reduzca la presión, el botón del interruptor saltará hasta la posición de "APAGADO".

PARA BLOQUEAR EL INTERRUPTOR EN LA POSICIÓN DE "ENCENDIDO", deslice el botón del interruptor hacia delante y presione hacia "DENTRO" la parte DELANTERA.

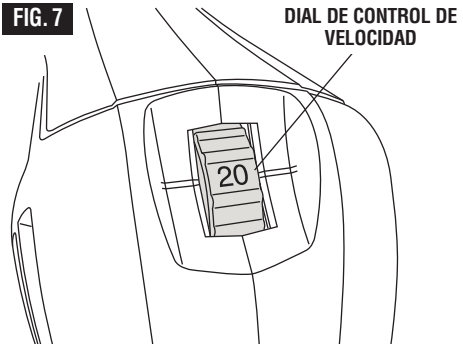
PARA DESBLOQUEAR EL INTERRUPTOR, simplemente presione y suelte la parte TRASERA del botón. El interruptor está accionado por resorte y saltará hacia atrás automáticamente.



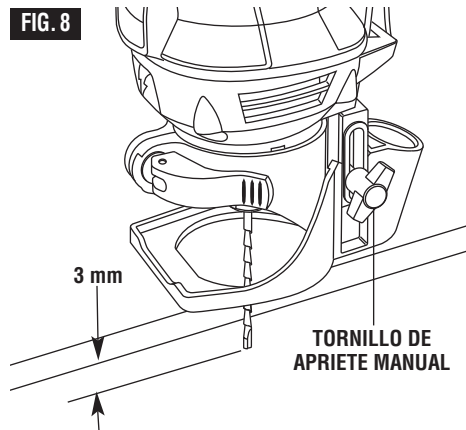
**CONTROL ELECTRONICO DE VELOCIDAD VARIABLE**

El dispositivo de control electrónico de velocidad permite que la velocidad del motor se haga corresponder con el tamaño del cortador y la dureza del material a fin de proporcionar un acabado mejor, prolongar la vida de la broca y producir un rendimiento mayor. Los cambios de velocidad se logran girando el dial de control hacia ARRIBA para aumentar la velocidad y hacia ABAJO para reducirla, tal y como está indicado en la caja protectora (Fig. 7).

La velocidad se puede cambiar mientras la herramienta está encendida. Los números de referencia del dial facilitan el cambio de posición del control a la velocidad deseada.

**FIG. 7****AJUSTE DE LA GUÍA DE PROFUNDIDAD**

Utilice la guía de profundidad para ajustar la profundidad de corte. Afloje el tornillo de apriete manual girándolo en sentido contrario al de las agujas del reloj hasta que la guía de profundidad se pueda deslizar libremente hasta la profundidad de corte deseada (aproximadamente 1/8 de pulgada mayor que el grosor del material) y reapriete el tornillo de apriete manual (en el sentido de las agujas del reloj) (Fig. 8). En el caso de brocas con punta de guía, asegúrese de que todo el extremo de la punta de guía sobresalga 1/8 de pulgada del grosor del material (Fig. 2). En el caso de brocas de punta estándar, asegúrese de que el extremo estriado de la broca sobresalga 1/8 de pulgada del grosor del material.

**FIG. 8****LUZ DE TRABAJO**

La herramienta también está equipada con una luz, que se enciende automáticamente cuando se activa el

interruptor, para proporcionarle mejor visibilidad al cortar (figura 1).

**HAGA CORTES DE ENSAYO**

Después de instalar la broca en la herramienta y ajustar la guía de profundidad debe hacer algunos cortes para practicar con la herramienta antes de hacer el corte real.

La práctica le dará habilidad para hacer cortes profesionales..

**Paso 1:** Asegúrese de que la tuerca de la boquilla esté fija y segura antes de encender la herramienta.

**Paso 2:** Sostenga firmemente la herramienta y enciéndala en la velocidad deseada.

**CONSEJOS PRÁCTICOS**

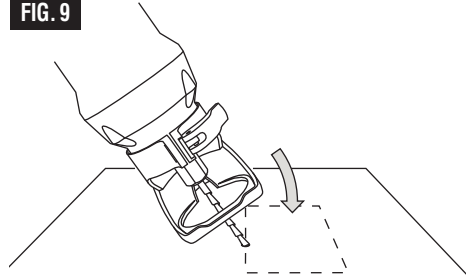
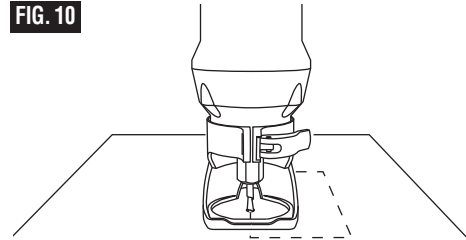
**Paso 3:** Sostenga la herramienta firmemente e inserte la broca en el material con un ángulo de 45 (Fig. 9).

**Paso 4:** Ponga la herramienta con cuidado en un ángulo de 90° para empezar a cortar (Fig. 10). La guía de la base debe quedar al ras con la superficie del material. Todos los materiales deben cortarse avanzando hacia la derecha (EXCEPTO al cortar alrededor de una caja de salida en un muro), en forma lenta y continua.

**Paso 5:** Al terminar su corte, apague la herramienta y retírela con cuidado del material.

No intente usar esta herramienta para hacer cortes alrededor de piezas fijas o aberturas con cables eléctricos vivos, o en una pared que pueda esconder cables eléctricos ya que la broca puede conducir la corriente a la herramienta y representar un riesgo de electrocución del operador. Apague los interruptores o retire los fusibles para desconectar el circuito. Al trabajar con la herramienta sosténgala siempre de la caja termoplástica y use protección para los ojos.

**NOTA:** Debido al funcionamiento giratorio de corte de la broca, se producirá un ligero tirón al cortar. Tendrá

**FIG. 9****FIG. 10**

más control al cortar más lento. La presión excesiva o la rapidez al cortar pueden provocar el calentamiento excesivo y reducir la vida útil de la broca.

**NOTA:** Al cortar una superficie vertical evite terminar el corte en la parte inferior del orificio. Procure iniciar y terminar el corte en la parte superior de manera que la pieza que no va a utilizar no caiga en la broca que gira. Apague la herramienta y retírela del material.

---

**INSTRUCCIONES PARA CREAR CORTES DE ABERTURAS EN PANEL DE YESO PARA TOMACORRIENTES, FOCOS DE LUZ EMPOTRADOS, VENTANAS Y PUERTAS**

Después de ensamblar la broca en la herramienta tal y como se describió anteriormente, será necesario repasar las instrucciones proporcionadas más adelante y hacer algunos cortes de aberturas de práctica con esta herramienta antes de intentar realizar un trabajo real. El mejor método es tomar algunos pedazos de desecho y clavarlos o atornillarlos en su sitio sobre montantes de pared que tengan una caja eléctrica u otro dispositivo colocado. Unos cuantos de dichos ejercicios le darán la práctica necesaria para realizar cortes de aberturas limpios y profesionales alrededor de lo que esté detrás de la pared de panel de yeso que se esté instalando.

**⚠ ADVERTENCIA** No intente utilizar esta herramienta para hacer cortes de aberturas alrededor de cualquier dispositivo o abertura que tenga cables eléctricos con corriente ni en ninguna pared que pueda tener cables eléctricos con corriente detrás de ella, ya que la broca podría conducir la corriente hasta la herramienta, creando un peligro de electrocución para el operador. Desactive los cortacircuitos o quite los fusibles para desconectar el circuito. Sujete siempre la herramienta por su caja protectora termoplástica y use siempre protección de los ojos al utilizar este dispositivo.



**Paso 1:** Asegúrese de que la caja o el dispositivo esté montado firmemente y de que todos los cables u otras obstrucciones que se encuentren alrededor de la abertura estén empujados hacia atrás, fuera del paso. La broca usa el borde exterior de la caja o del dispositivo como guía, por lo que es importante que no haya nada en el paso que pueda evitar que dicho borde guíe completamente a la broca alrededor de la abertura. Para los propósitos de este manual de instrucciones, el procedimiento explicado será hacer un corte de abertura alrededor de una caja eléctrica estándar de 2 1/8" x 3 3/4" (54 x 95 mm).

**Paso 2:** Deslice el interruptor para encender la herramienta. Mientras sujeta firmemente con las dos manos la herramienta, haga que la broca penetre a través de la marca que usted hizo. Luego, guíe la broca hacia la derecha hasta que note y escuche que la broca toca el borde interno de la caja (Fig. 11).

**Paso 3:** Saque la broca lo suficiente como para deslizarla sobre el borde de la caja, de manera que ahora la broca se encuentre contra la parte exterior de la caja (Fig. 12).

**Paso 4:** Al mismo tiempo que mantiene la broca en contacto con la parte exterior de la caja, mueva la herramienta en sentido contrario al de las agujas del reloj mientras aplica una ligera presión hacia adentro y hacia arriba, hasta que note y escuche que llega a la esquina. A medida que vaya rodeando la esquina, aplique una presión ligera hacia la izquierda y hacia abajo (Fig. 12).

**Paso 5:** Mientras mueve la broca lenta y continuamente a lo largo del contorno superior, usted notará cuando la broca llega a la próxima esquina. Rodee la esquina y aplique una presión ligera hacia abajo y hacia adentro, hasta que llegue a la esquina inferior (Fig. 12).

**Paso 6:** Mueva la broca hacia la derecha y hacia arriba, manteniendo una presión ligera y continua hacia la caja (Fig. 12).

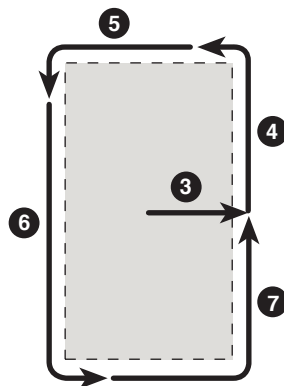
**Paso 7:** Rodee la esquina inferior derecha y comience a mover la broca hacia arriba, al mismo tiempo que

aplica una presión ligera hacia la izquierda, hacia la caja, hasta que se encuentre con el corte inicial hacia arriba. Empuje el interruptor de la herramienta hasta la posición de apagado (Fig. 12).

**Paso 8:** La caja terminada, ejecutada rápidamente, en debida forma y en una fracción del tiempo que se tarda con otros métodos.

**NOTA:** Estas instrucciones paso por paso están generalizadas para familiarizarle con el funcionamiento de la herramienta. Después de un poco de práctica, usted podrá desarrollar una técnica con la que se sienta más cómodo. Sin embargo, siempre debe comenzar el corte ligeramente hacia el centro y MOVER LA HERRAMIENTA SOLAMENTE EN SENTIDO CONTRARIO AL DE LAS AGUJAS DEL RELOJ para aprovechar la acción de "abrazo" de la broca a lo largo de los contornos de la plantilla. Recuerde utilizar un movimiento suave y continuo. La excepción a esta regla se aplica a cortar aberturas para ventanas y puertas. Como usted está trazando alrededor del interior de los miembros del armazón, mueva la broca en el sentido de las agujas del reloj para aprovechar la acción de "abrazo" de la broca.

**FIG. 12**



#### UTILIZACIÓN DEL ORIFICIO DE ASPIRACIÓN

La Spiral Saw® está diseñada para funcionar con el Juego de control del polvo Rotozip modelo DM5. Visite

a su vendedor minorista de Rotozip local o llame al 1-877-ROTOZIP (1-877-768-6947) para obtener más información.

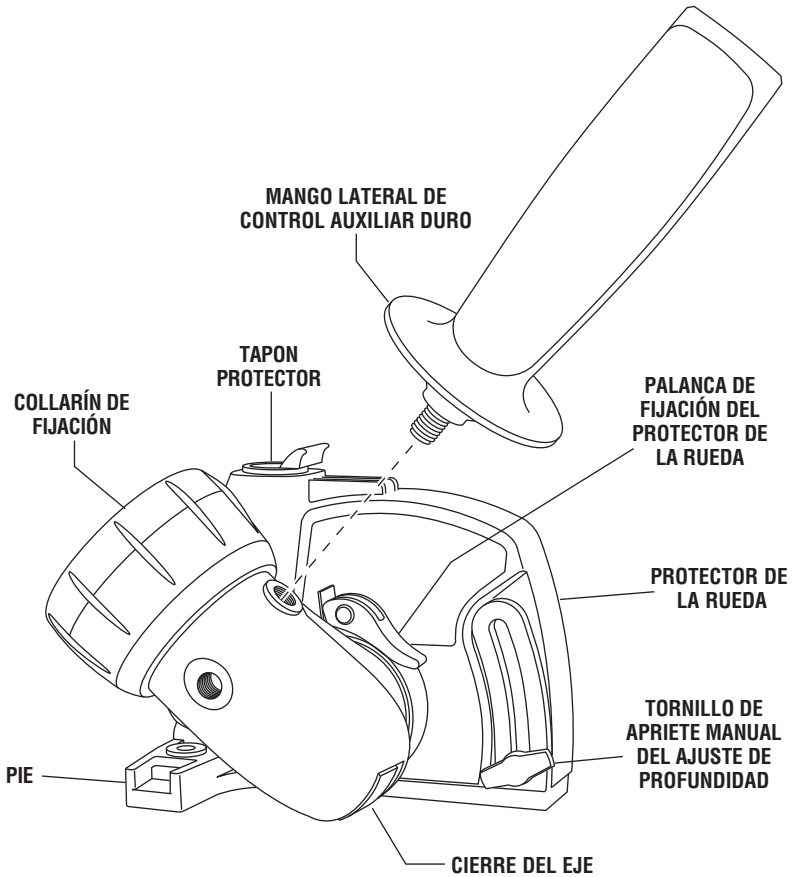
## Descripción funcional y especificaciones

**ADVERTENCIA** El aditamento Zipmate se debe utilizar solamente con un mango lateral de control auxiliar duro. El control de los mangos de agarre sólido usando las dos manos proporcionará suficiente control de la rueda de corte en caso de retroceso.

**ADVERTENCIA** Desconecte el enchufe de la fuente de energía antes de realizar cualquier ensamblaje o ajuste, o cambiar accesorios. Estas medidas de seguridad preventivas reducen el riesgo de arrancar la herramienta accidentalmente.

### Aditamento de rueda abrasiva Zipmate®

FIG. 1



### NO INCLUIDO CON TODOS LOS JUEGOS

**Nota:** La velocidad de su herramienta se reducirá 2.11:1 al usar el accesorio de rueda abrasiva.

## Ensamblaje

**ADVERTENCIA** Desconecte el enchufe de la fuente de alimentación antes de realizar cualquier ensamblaje, ajuste o cambio de accesorios. Estas medidas de seguridad preventiva reducen el riesgo de arrancar la herramienta accidentalmente. Asegúrese de que la mandril sin llave esté apretada firmemente antes de encender la herramienta.

**ADVERTENCIA** El tapón protector debe estar instalado siempre cuando la manguera de aspiración no esté conectada. Si la rueda abrasiva revienta, se podrían eyectar fragmentos de la misma hacia el usuario si el tapón protector no está instalado.

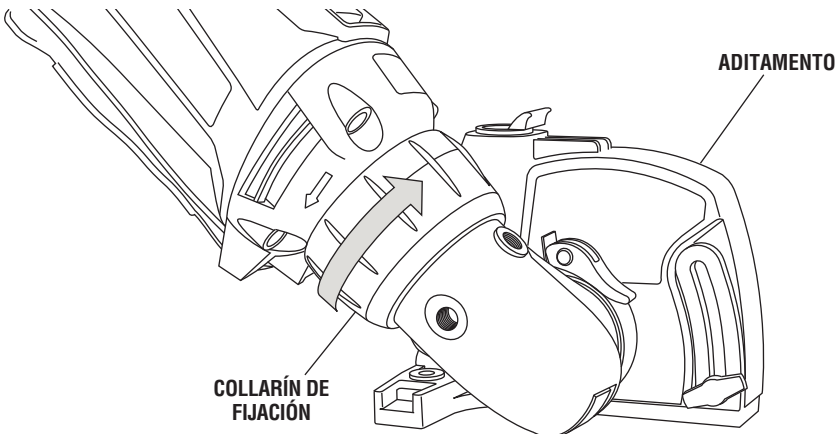
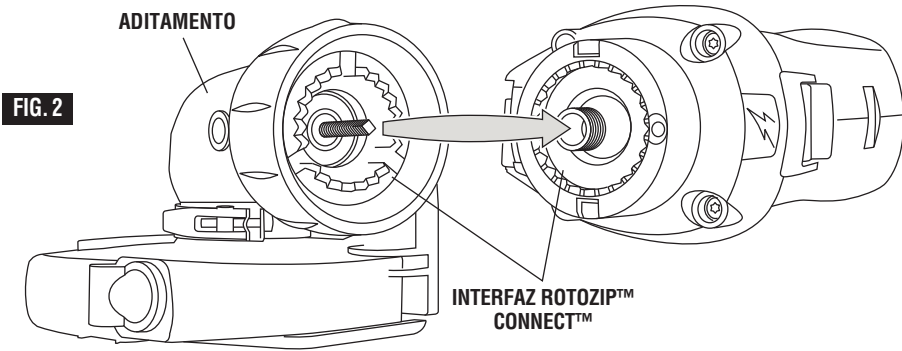
### DESMONTAJE E INSTALACIÓN DEL ACCESORIO DE RUEDA ABRASIVA

1. Presione y mantenga presionado el cierre del eje y gire la tuerca del portaherramienta y el eje hasta que el cierre del eje se acople y mantenga sujeto el eje.

2. Retire la tuerca del portaherramienta girándola en sentido contrario al de las agujas del reloj. Retire el portaherramienta del eje de la herramienta.

3. Posicione el aditamento sobre el interfaz roscado Rotozip Connect™. Nota: Puede que sea necesario girar ligeramente el aditamento para acoplar el extremo cuadrado del accionador de ángulo recto en el eje de la herramienta (figura 2).

4. Posicione el aditamento en la orientación deseada y gire el collarín de fijación hasta que el aditamento esté firmemente sujeto. El collarín de fijación habrá sido apretado lo suficiente cuando el cuerpo de la Zipmate ya no se pueda mover en relación con la Spiral Saw® (figura 3).



## INSTALACIÓN DE RUEDAS ABRASIVAS X-WHEEL y Zip®

Utilice siempre la tuerca del eje portaherramienta con el casquillo hexagonal interno que tenga el mismo tamaño de rosca que el eje de salida.

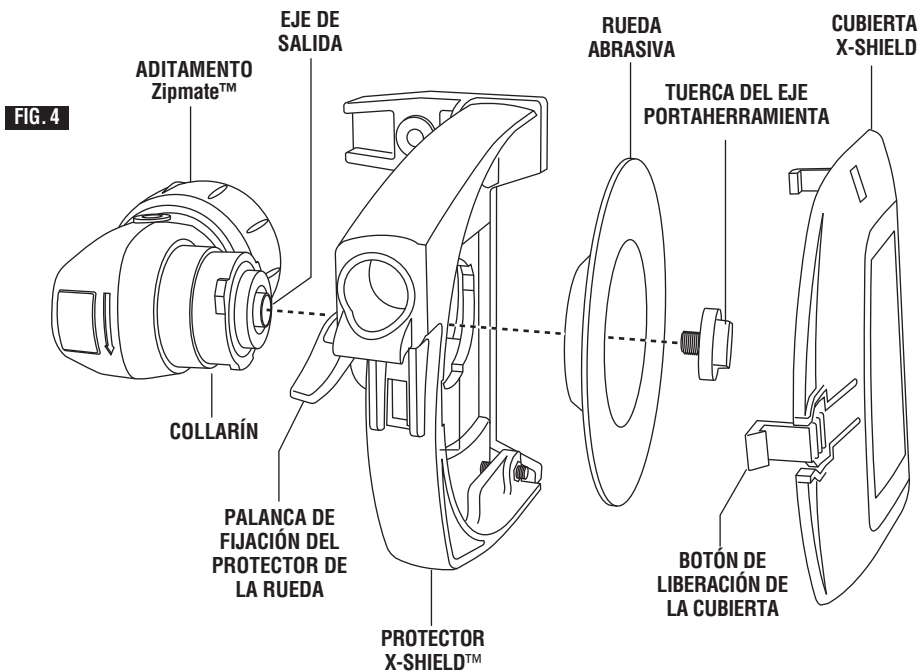
1. Oprima el botón de liberación de la cubierta y quite la cubierta X-SHIELD.
2. Instale la rueda abrasiva en el eje de salida.
3. Enrosque la tuerca del eje portaherramienta suministrada en el eje de salida apretándola con los dedos, presione el cierre del eje y apriete la rueda con la llave de tuerca suministrada (Fig. 2).
4. Instale la cubierta X-SHIELD. Asegúrese de que la cubierta X-SHIELD esté acoplada a presión de modo apropiado sobre el protector X-SHIELD.

5. Mantenga la cubierta del protector entre la rueda y el usuario.

6. Asegúrese de que la palanca de fijación del protector de la rueda esté en la posición cerrada y que el protector X-SHIELD esté montado de modo seguro en el aditamento Zipmate. Utilice la llave Allen para ajustar el tornillo de ajuste del protector.

7. Ajuste el pie del aditamento de corte abrasivo X-SHIELD a la profundidad de corte deseada aflojando y apretando el pomo de mariposa.

8. La máxima profundidad de corte es de 3/4" (19 mm).



## Instrucciones de funcionamiento

### REALIZACIÓN DE CORTES

1. Asegúrese de que el material a cortar esté inmovilizado en un tornillo de carpintero o en un aparato antes de tratar de cortarlo.
2. Mantenga el cuerpo situado a uno de los dos lados de la rueda pero no en línea con la rueda. Es importante soportar la herramienta adecuadamente y situar el cuerpo de manera que se minimice la exposición del cuerpo a un atasco y retroceso de la rueda.
3. Agarre la herramienta con ambas manos cuando esté realizando un corte y asegúrese siempre de estar listo y ser capaz de controlar el corte.
4. Evite atorar, torcer o pellizcar la rueda con la pieza de trabajo o ejercer una presión lateral excesiva sobre la rueda.
5. Mantenga la cubierta del protector entre la rueda y el usuario.
6. Asegúrese de que la palanca de fijación del protector esté en la posición cerrada y de que el protector esté montado de modo seguro en el aditamento. Utilice la llave Allen para ajustar el tornillo de ajuste del protector.
7. La profundidad máxima de corte es 3/4 de pulgada (19 mm).

**PRECAUCIÓN** Si se aprieta excesivamente el tornillo de ajuste del protector, se puede dañar permanentemente el mecanismo de fijación. Compruebe la tensión de la palanca después de cada vuelta completa del tornillo de ajuste.

**ADVERTENCIA** Para evitar retrocesos y daños a la herramienta, asegúrese

siempre de que las pestañas interiores o exteriores nunca entren en contacto con la superficie de la pieza de trabajo.

8. Generalmente, mientras más duro sea el material con que se trabaja, más rápido se desgastará la rueda.

9. Cuando corte materiales más gruesos, nunca haga el corte en una pasada. Haga pasadas sucesivas hasta que llegue a la profundidad deseada.

**ATENCIÓN:** Si hace funcionar la herramienta continuamente durante más de 5 minutos, es normal que la carcasa se sienta caliente.

**Es importante que lea y entienda la sección de este manual denominada "Causas del retroceso y su prevención por el operador".**

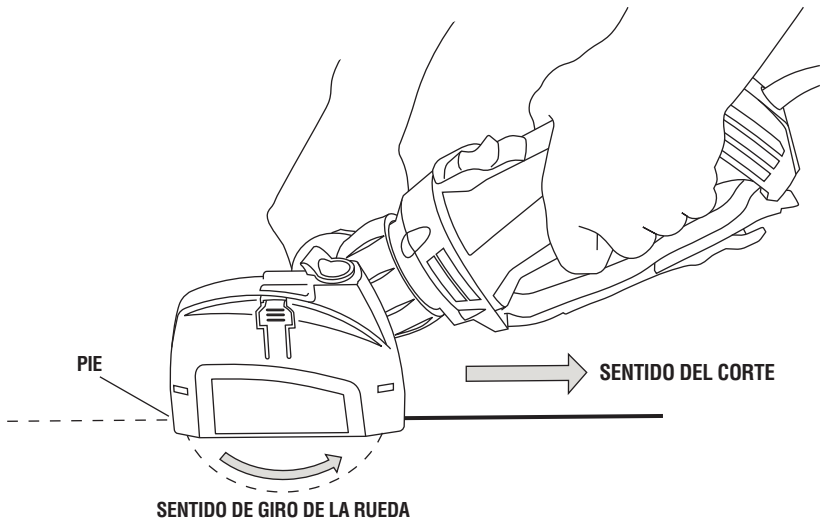
**Cuando realice cortes en chapa metálicas, mampostería, etc.:** Puede empezar el corte en el extremo de la pieza o puede realizar un corte de descenso vertical en cualquier parte del cuerpo del material.

Con el fin de evitar los retrocesos (una situación donde la rueda quiere saltarse otro material), se recomienda que haga los cortes en el mismo sentido del giro de la rueda (figura 5).

### UTILIZACIÓN DEL ORIFICIO DE ASPIRACIÓN

El aditamento de rueda abrasiva Zipmate® está diseñado para funcionar con el Juego de control del polvo Rotozip modelo DM5. Visite a su vendedor minorista de Rotozip local o llame al 1-877-ROTOZIP (1-877-768-6947) para obtener más información.

FIG. 5



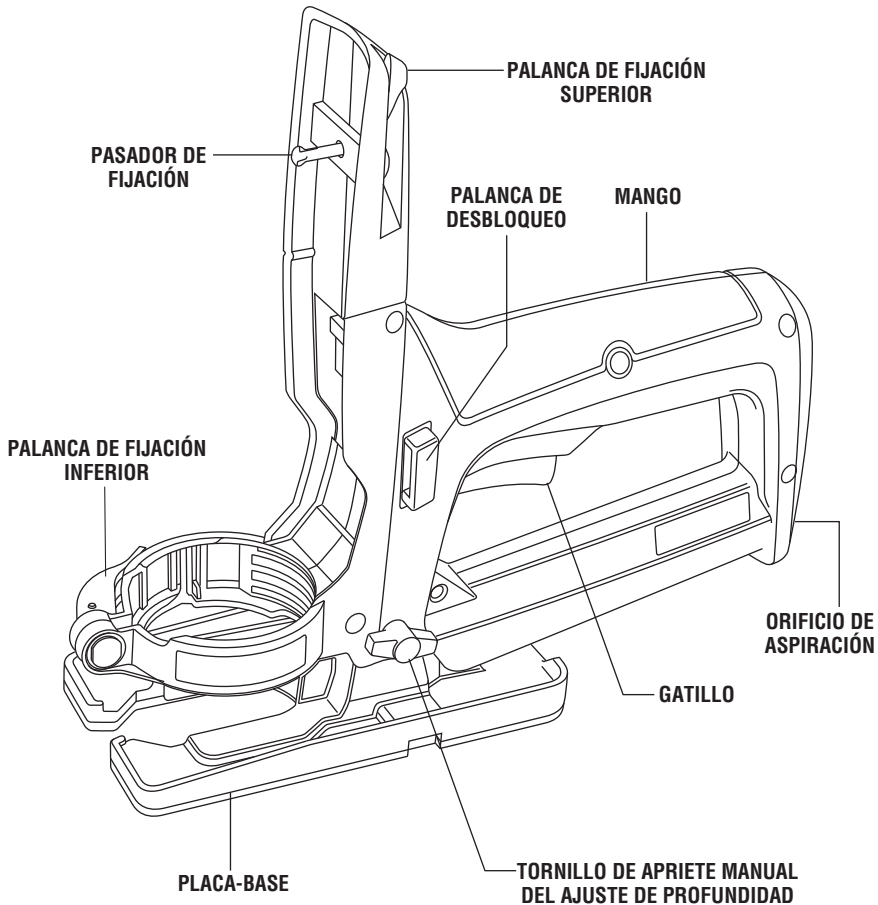
## Descripción funcional y especificaciones

**⚠ ADVERTENCIA** Desconecte el enchufe de la fuente de energía antes de realizar cualquier ensamblaje o ajuste, o cambiar accesorios. Estas medidas de seguridad preventivas reducen el riesgo de arrancar la herramienta accidentalmente.

### Mango de sierra caladora

**FIG. 1**

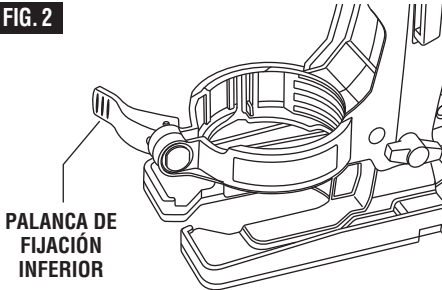
**NO INCLUIDO CON TODOS LOS JUEGOS**



## INSTALACIÓN Y REMOCIÓN DEL ADITAMENTO DE MANGO DE SIERRA CALADORA

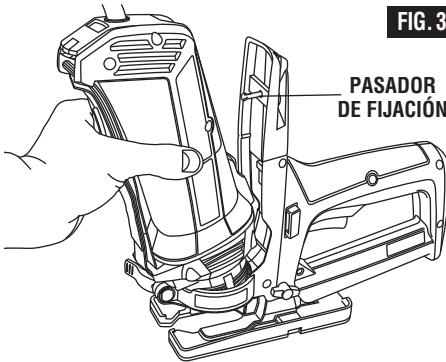
1. Quite la guía de profundidad de la herramienta.
2. Abra la palanca de fijación ubicada cerca de la base del aditamento (figura 2).

**FIG. 2**



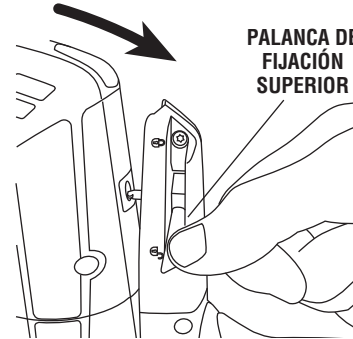
3. Inserte la Spiral Saw® con el interruptor hacia el aditamento de la manera que se muestra en la ilustración (figura 3). Presione firmemente hacia abajo y comprima la herramienta hacia el aditamento, asegurándose de que el pasador de fijación se acople en la ranura correspondiente de la Spiral Saw®.

**FIG. 3**

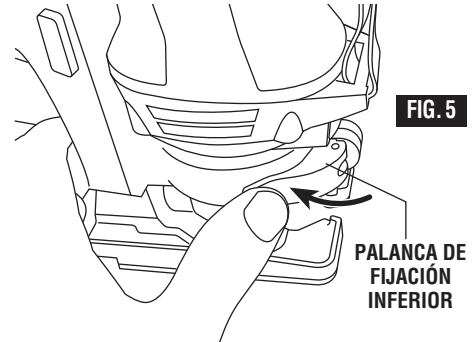


4. Gire la palanca de fijación superior hasta la posición de "DESBLOQUEO" y comprima la herramienta hacia el aditamento. Con la Spiral Saw® posicionada de manera que esté apretada contra el aditamento, suelte la palanca de fijación superior. Asegúrese de que las palancas de fijación tanto superior como inferior estén en sus posiciones de "BLOQUEO" (figuras 4 y 5).

**FIG. 4**



**FIG. 5**

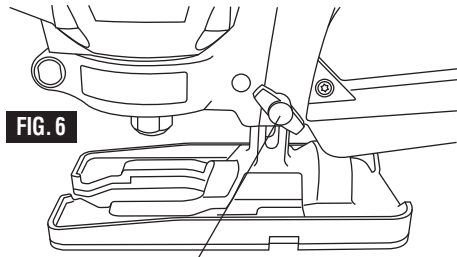


Para retirar el aditamento de mango de sierra caladora, invierta los pasos 2, 3 y 4.

## Instrucciones de funcionamiento

### AJUSTE DE PROFUNDIDAD

Afloje el tornillo de apriete manual del ajuste de profundidad (en sentido contrario al de las agujas del reloj) para cambiar la profundidad de corte. Deslice la placa-base hasta la profundidad de corte deseada y reapriete el tornillo de apriete manual (en el sentido de las agujas del reloj) (figura 6).

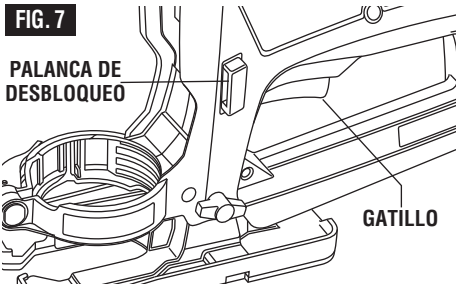


**FIG. 6**

**TORNILLO DE APRIETE MANUAL DEL AJUSTE DE PROFUNDIDAD**

### REALIZACIÓN DE UN CORTE

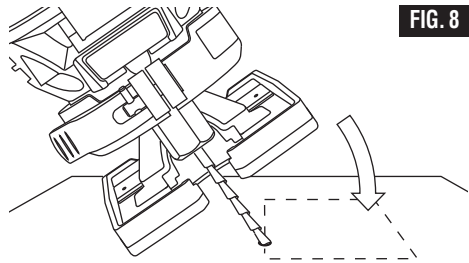
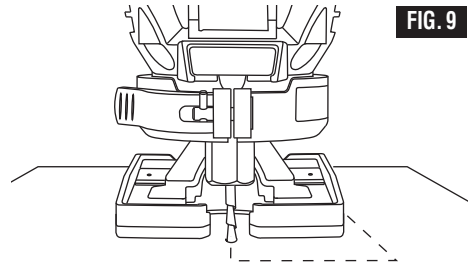
1. El aditamento de mango de sierra caladora está equipado con un interruptor gatillo. Deslice la palanca de desbloqueo (figura 7) hacia cualquiera de los dos lados con el dedo pulgar y luego comprima el gatillo.

**FIG. 7**

2. Mientras sujeta firmemente la herramienta, inserte la broca en el material a un ángulo de 45° (figura 8).

3. Lívela lentamente hasta un ángulo de 90° para comenzar el corte. La placa-base debe estar al ras con la superficie del material (figura 9).

4. Suelte el gatillo para desactivar la herramienta después del corte.

**FIG. 8****FIG. 9**

## Mantenimiento

### Servicio

**ADVERTENCIA** El mantenimiento preventivo realizado por personal no autorizado puede dar lugar a la colocación incorrecta de cables y componentes internos que podría constituir un peligro serio. Recomendamos que todo el servicio de ajustes y reparaciones de la herramienta sea realizado por un Centro de Servicio de Fábrica Bosch o Rotozip o una Estación de Servicio Bosch Autorizada. Llame al 1-877-ROTOZIP (1-877-768-6947) si su herramienta necesita servicio.

### LUBRICACIÓN DE LAS HERRAMIENTAS

Su herramienta Rotozip ha sido lubricada adecuadamente y está lista para la utilización. La lubricación aplicada en la fábrica dura toda la vida útil de la herramienta.

### ESCOBILLAS DE CARBÓN

Las escobillas y el conmutador de la herramienta han sido diseñados para muchas horas de servicio fiable. Para mantener un rendimiento óptimo del motor, recomendamos que cada dos a seis meses se examinen las escobillas. Sólo se deben usar escobillas de repuesto Bosch genuinas diseñadas específicamente para su herramienta.

### COJINETES

La herramienta y los aditamentos Rotozip contienen cojinetes sellados que están diseñados para durar toda

la vida útil de la herramienta. Los cojinetes que se vuelven ruidosos (debido a la pesada carga o al corte de materiales muy abrasivos) deben ser inspeccionados de inmediato para evitar el sobrecalentamiento o la falla del motor. Contacte a su Centro de Servicio de Fábrica Bosch o Rotozip si los cojinetes se vuelven ruidosos.

### Limpieza

**ADVERTENCIA** Para evitar accidentes desconecte siempre la herramienta de la fuente de energía antes de la limpieza o de la realización de cualquier mantenimiento. La herramienta se puede limpiar más eficazmente con aire comprimido seco. **Use gafas de seguridad siempre que limpie herramientas con aire comprimido.**

Las aberturas de ventilación y las palancas de interruptor deben mantenerse limpias y libres de materias extrañas. No intente limpiar introduciendo objetos puntiagudos a través de las aberturas.

**PRECAUCION** Ciertos agentes de limpieza y disolventes dañan las piezas de plástico. Algunos de estos son: gasolina, tetracloruro de carbono, disolventes de limpieza clorados, amoníaco y detergentes domésticos que contienen amoníaco.





## Cordones de extensión

**ADVERTENCIA** Si es necesario un cordón de extensión, se debe usar un cordón con conductores de tamaño adecuado que sea capaz de transportar la corriente necesaria para la herramienta. Esto evitará caídas de tensión excesivas, pérdida de potencia o recalentamiento. Las herramientas conectadas a tierra deben usar cordones de extensión de 3 hilos que tengan enchufes de 3 terminales y receptáculos para 3 terminales.

**NOTA:** Cuanto más pequeño es el número de calibre, más grueso es el cordón.

### TAMAÑOS RECOMENDADOS DE CORDONES DE EXTENSION HERRAMIENTAS DE 120 V CORRIENTE ALTERNA

Capacidad nominal en amperes de la herramienta	Tamaño del cordón en A.W.G.				Tamaños del cable en mm <sup>2</sup>			
	Longitud del cordón en pies				Longitud del cordón en metros			
	25	50	100	150	15	30	60	120
3-6	18	16	16	14	0,75	0,75	1,5	2,5
6-8	18	16	14	12	0,75	1,0	2,5	4,0
8-10	18	16	14	12	0,75	1,0	2,5	4,0
10-12	16	16	14	12	1,0	2,5	4,0	—
12-16	14	12	—	—	—	—	—	—

## Accesorios y aditamentos

**ADVERTENCIA** La Spiral Saw Rotozip es compatible con cualquier aditamento Rotozip que tenga el icono Rotozip Connect™. Este icono se puede localizar en el paquete del aditamento o en el propio aditamento.

**ADVERTENCIA** No utilice brocas cortadoras de metales, brocas de fresadora ni accesorios no aprobados con este producto, a menos que tenga instalado un mango de control, como por ejemplo un aditamento de mango de sierra caladora.

## Aditamentos incluidos

### Aditamento para cortar círculos CRCT4

- Corta rápida y fácilmente círculos de 1 a 12 pulgadas.

### Juego de control del polvo DM5

- Se conecta a la guía de profundidad, el Zipmate o el mango de sierra caladora para recoger el polvo mientras usted corta.

- El conveniente adaptador/clip de cinturón permite la conexión a la mayoría de aspiradoras de taller.

La Spiral Saw funcionará con todas las brocas Rotozip, incluyendo las brocas Zip® y XBITS®, y las sierras de copa XCORES™. También es compatible con todas las ruedas Zip® y XWHEELS™.

### Brocas Zip®

La línea patentada que Rotozip ofrece de versátiles brocas Zip y accesorios le brinda a usted la flexibilidad para pasar rápidamente de un material a otro y un trabajo a otro, sin la incomodidad de cambiar herramientas.

Broca multiuso Sabrecut® Zip® (SC)  
 Broca Zip® de punta estándar para panel de yeso (ZB)  
 Broca Guidepoint® (GP)  
 Broca Zip® para ventanas y puertas (WD)  
 Broca Fiberock® Zip® (FBR)  
 Broca Zip® para baldosa de pared (TC)  
 Broca Duracut™ Zip® (DC)

#### **BROCAS XBITS®**

Las brocas X-BITS están diseñadas para los auténticos profesionales. Ofrecen la resistencia y la velocidad de las brocas de 5/32 de pulgada con la precisión de las brocas de 1/8 de pulgada, para cortar incluso a través de los materiales más resistentes en unos segundos.

Brocas XBITS® para panel de yeso (XB-DW)  
 Brocas XBITS® multiuso (XB-MP)  
 Brocas XBITS® para baldosa de piso (XB-FT)  
 Brocas XBITS® para baldosa de pared (XB-TC)  
 Brocas XBITS® para bases de piso (XB-UL)  
 Brocas XBITS® para pisos laminados (XB-LF)  
 Brocas XBITS® para metal (XB-MC)  
 Brocas trazadoras XBITS® (XB-MPGP)

#### **SIERRAS DE COPA XCORES™**

La nueva línea de sierras de copa para baldosa RotoZip®, las XCORES™, fue diseñada para brindar un mejor rendimiento y una mayor durabilidad. Las XCORES funcionan a una velocidad más alta, cuentan con un núcleo de diamante bronzesoldado en vacío que

puede resistir más calor y están diseñadas para funcionar en seco. Esto produce una sierra de copa que funciona 10 veces más rápidamente y dura 4 veces más que las sierras de copa para baldosa tradicionales.

SIERRAS DE COPA XCORES™ DE 3/4 DE PULGADA (XC-T750)

SIERRAS DE COPA XCORES™ DE 1 PULGADA (XC-T1000)

SIERRAS DE COPA XCORES™ DE 1-3/8 DE PULGADA (XC-T1375)

#### **Ruedas Zip®**

Las ruedas Zip® permiten cortar fácilmente en una variedad de materiales con una profundidad de corte de hasta 9/16 de pulgada. Diseñadas para utilizarse específicamente con el aditamento Zipmate®, las ruedas Zip® le permiten a usted realizar cortes en espacios reducidos.

Rueda Zip® para metal (RZMET)

Rueda Zip® para mampostería (RZMAS)

Rueda de diamante Zip® (RZDIA)

#### **RUEDAS XWHEELS™**

La forma especial de estas ruedas permite realizar cortes uniformes al ras todas las veces. Las ruedas XWHEELS™ permiten realizar cortes controlados cuando usted los necesita y en prácticamente cualquier material.

RUEDAS XWHEELS™ para metal (XW-MET)

RUEDAS XWHEELS™ para madera (XW-WD)

RUEDAS XWHEELS™ para baldosa (XW-TILE)

**ACCESSORY GUIDE | GUÍA DE ACCESORIOS | GUIDE DES ACCESSOIRES**



		Baldosa acústica	Material epoxico	Panels laterales de aluminio	Fibrocemento	Baldosa de pared de aluminio	Panel de yeso	Tablero de pared de ceramica	Fibra de vidrio	Fibro rock®	Lechada para pisos o paredes	Granito	Madera dura	Laminados	Lisón	Mármol	Metal	Tablero de fibras orientadas (OSB)	Entucido	Plásticos	Madera contrachapada	Baldosa de piso de porcelana y de ceramica	Material de superficie sólida	Estuco	Panels laterales de vinilo	Madera	Materiales compuestos de madera
<b>XBITS</b>		TAMANO DE VASTAGO																									
<b>XB-DW</b>	5/32"																										
<b>XB-MP</b>	5/32"																										
<b>XB-MPGP</b>	5/32"																										
<b>XB-FT</b>	5/32"																										
<b>XB-TC</b>	5/32"																										
<b>XB-JL</b>	5/32"																										
<b>XB-MC</b>	5/32"																										
<b>XB-LF</b>	5/32"																										
<b>BROCAS ZIP®</b>																											
<b>FBR</b>	1/4"																										
<b>GP</b>	1/8"																										
<b>WD</b>	1/4"																										
<b>ZB</b>	1/8"																										
<b>SC</b>	1/8"																										
<b>GR125</b>	1/4"																										
<b>GR250</b>	1/4"																										
<b>TC</b>	1/8"																										
<b>DC</b>	1/4"																										
<b>XCORES</b>																											
<b>XC-T</b>	1/4"																										
<b>XWHEELS</b>																											
<b>XW-WD</b>																											
<b>XW-TILE</b>																											
<b>XW-MET</b>																											
<b>RUEDAS ZIP®</b>																											
<b>RZDIA</b>																											
<b>RZMAS</b>																											
<b>RZMET</b>																											



### LIMITED WARRANTY OF BOSCH PORTABLE AND BENCHTOP POWER TOOLS

Robert Bosch Tool Corporation ("Seller") warrants to the original purchaser only, that all BOSCH portable and benchtop power tools will be free from defects in material or workmanship for a period of one year from date of purchase. SELLER'S SOLE OBLIGATION AND YOUR EXCLUSIVE REMEDY under this Limited Warranty and, to the extent permitted by law, any warranty or condition implied by law, shall be the repair or replacement of parts, without charge, which are defective in material or workmanship and which have not been misused, carelessly handled, or misrepaired by persons other than Seller or Authorized Service Station. To make a claim under this Limited Warranty, you must return the complete portable or benchtop power tool product, transportation prepaid, to any BOSCH Factory Service Center or Authorized Service Station. For Authorized BOSCH Power Tool Service Stations, please refer to your phone directory.

THIS LIMITED WARRANTY DOES NOT APPLY TO ACCESSORY ITEMS SUCH AS CIRCULAR SAW BLADES, DRILL BITS, ROUTER BITS, JIGSAW BLADES, SANDING BELTS, GRINDING WHEELS AND OTHER RELATED ITEMS.

ANY IMPLIED WARRANTIES SHALL BE LIMITED IN DURATION TO ONE YEAR FROM DATE OF PURCHASE. SOME STATES IN THE U.S., SOME CANADIAN PROVINCES DO NOT ALLOW LIMITATIONS ON HOW LONG AN IMPLIED WARRANTY LASTS, SO THE ABOVE LIMITATION MAY NOT APPLY TO YOU.

IN NO EVENT SHALL SELLER BE LIABLE FOR ANY INCIDENTAL OR CONSEQUENTIAL DAMAGES (INCLUDING BUT NOT LIMITED TO LIABILITY FOR LOSS OF PROFITS) ARISING FROM THE SALE OR USE OF THIS PRODUCT. SOME STATES IN THE U.S. AND SOME CANADIAN PROVINCES DO NOT ALLOW THE EXCLUSION OR LIMITATION OF INCIDENTAL OR CONSEQUENTIAL DAMAGES, SO THE ABOVE LIMITATION OR EXCLUSION MAY NOT APPLY TO YOU.

THIS LIMITED WARRANTY GIVES YOU SPECIFIC LEGAL RIGHTS, AND YOU MAY ALSO HAVE OTHER RIGHTS WHICH VARY FROM STATE TO STATE IN THE U.S., PROVINCE TO PROVINCE IN CANADA AND FROM COUNTRY TO COUNTRY.

THIS LIMITED WARRANTY APPLIES ONLY TO PORTABLE AND BENCHTOP ELECTRIC TOOLS SOLD WITHIN THE UNITED STATES OF AMERICA, CANADA AND THE COMMONWEALTH OF PUERTO RICO. FOR WARRANTY COVERAGE WITHIN OTHER COUNTRIES, CONTACT YOUR LOCAL BOSCH DEALER OR IMPORTER.

### GARANTIE LIMITÉE DES OUTILS ÉLECTRIQUES PORTATIFS ET D'ÉTABLI BOSCH

Robert Bosch Tool Corporation (le « vendeur ») garantit à l'acheteur initial seulement que tous les outils électriques portatifs et d'établi BOSCH seront exempts de vices de matériaux ou d'exécution pendant une période d'un an depuis la date d'achat. LA SEULE OBLIGATION DU VENDEUR ET LE SEUL RECOURS DE L'ACHETEUR sous la présente garantie limitée, et en autant que la loi le permette sous toute obligation ou condition implicite qui en découlerait, sera l'obligation de remplacer ou réparer gratuitement les pièces défectueuses matériellement ou comme fabrication, pourvu que lesdites défectosités ne soient pas attribuables à un usage abusif ou à quelque réparation bricolée par quelqu'un d'autre que le vendeur ou le personnel d'une station-service agréée. Pour présenter une réclamation en vertu de cette garantie limitée, vous devez renvoyer l'outil électrique portatif ou d'établi complet, port payé, à tout centre de service agréé ou centre de service usine. Veuillez consulter votre annuaire téléphonique pour les adresses.

LA PRÉSENTE GARANTIE NE S'APPLIQUE PAS AUX ACCESSOIRES TELS QUE LAMES DE SCIÉS CIRCULAIRES, MÊCHES DE PERCEUSES, FERS DE TOUPIES, LAMES DE SCIÉS SAUTEUSES, COURROIES DE PONÇAGE, MEULES ET AUTRES ARTICLES DU GENRE.

TOUTE GARANTIE IMPLICITE SERA LIMITÉE COMME DURÉE À UN AN À COMPTER DE LA DATE D'ACHAT. CERTAINS ÉTATS AMÉRICAINS, CERTAINES PROVINCES CANADIENNES N'ADMETTANT PAS LE PRINCIPE DE LA LIMITATION DE LA DURÉE DES GARANTIES IMPLICITES, IL EST POSSIBLE QUE LES LIMITATIONS CI-DESSUS NE S'APPLIQUENT PAS À VOTRE CAS.

EN AUCUN CAS LE VENDEUR NE SAURAIT ÊTRE TENU POUR RESPONSABLE DES INCIDENTS OU DOMMAGES INDIRECTS (INCLUANT, MAIS NE SE LIMITANT PAS AUX PERTES DE PROFITS) CONSÉCUTIFS À LA VENTE OU L'USAGE DE CE PRODUIT. CERTAINS ÉTATS AMÉRICAINS ET CERTAINES PROVINCES CANADIENNES N'ADMETTANT PAS LE PRINCIPE DE LA LIMITATION NI L'EXCLUSION DES DOMMAGES INDIRECTS ET CONSÉQUENTIELS, IL EST POSSIBLE QUE LES LIMITATIONS OU EXCLUSIONS CI-DESSUS NE S'APPLIQUENT PAS À VOTRE CAS.

LA PRÉSENTE GARANTIE VOUS ACCORDE DES DROITS BIEN DÉTERMINÉS, Y COMPRIS POSSIBLEMENT CERTAINS DROITS VARIABLES DANS LES DIFFÉRENTS ÉTATS AMÉRICAINS, PROVINCES CANADIENNE ET DE PAYS À PAYS.

CETTE GARANTIE LIMITÉE NE S'APPLIQUE QU'ÀUX OUTILS ÉLECTRIQUES PORTATIFS ET D'ÉTABLI VENDUS AUX ÉTATS-UNIS D'AMÉRIQUE, AU CANADA ET AU COMMONWEALTH DE PORTO RICO. POUR COUVERTURE DE GARANTIE DANS LES AUTRES PAYS, CONTACTEZ VOTRE IMPORTATEUR OU REVENDEUR BOSCH LOCAL.

### GARANTIA LIMITADA PARA HERRAMIENTAS MECANICAS PORTATILES Y PARA TABLERO DE BANCO BOSCH

Robert Bosch Tool Corporation ("el Vendedor") garantiza, únicamente al comprador original, que todas las herramientas mecánicas portátiles y para tablero de banco BOSCH estarán libres de defectos de material o de fabricación durante un período de un año a partir de la fecha de compra. LA ÚNICA OBLIGACION DEL VENDEDOR Y EL RECURSO EXCLUSIVO QUE USTED TIENE bajo esta Garantía Limitada y, hasta donde la ley lo permita, bajo cualquier garantía o condición implícita por ley, consistirá en la reparación o sustitución sin costo de las piezas que presenten defectos de material o de fabricación y que no hayan sido utilizadas incorrectamente, manejadas descuidadamente o reparadas incorrectamente por personas que no sean el Vendedor o una Estación de servicio autorizada. Para efectuar una reclamación bajo esta Garantía Limitada, usted debe devolver el producto, que consiste en la herramienta mecánica portátil o para tablero de banco completa, con el transporte pagado, a cualquier Centro de servicio de fábrica o Estación de servicio autorizada. Para Estaciones de servicio autorizadas de herramientas mecánicas BOSCH, por favor, consulte el directorio telefónico.

ESTA GARANTIA LIMITADA NO SE APLICA A ARTICULOS ACCESORIOS TALES COMO HOJAS PARA SIERRAS CIRCULARES, BROCAS PARA TALADROS, BROCAS PARA FRESADORAS, HOJAS PARA SIERRAS DE VAIVEN, CORREAS PARA LIJAR, RUEDAS DE AMOLAR Y OTROS ARTICULOS RELACIONADOS.

TODAS LAS GARANTIAS IMPLICITAS TENDRAN UNA DURACION LIMITADA A UN AÑO A PARTIR DE LA FECHA DE COMPRA. ALGUNOS ESTADOS DE LOS EE.UU. Y ALGUNAS PROVINCIAS CANADIENSES NO PERMITEN LIMITACIONES EN CUANTO A LA DURACION DE UNA GARANTIA IMPLICITA, POR LO QUE ES POSIBLE QUE LA LIMITACION ANTERIOR NO SEA APLICABLE EN EL CASO DE USTED.

EL VENDEDOR NO SERA RESPONSABLE EN NINGUN CASO DE NINGUN DAÑO INCIDENTAL O EMERGENTE (INCLUYENDO PERO NO LIMITADO A RESPONSABILIDAD POR PERDIDA DE BENEFICIOS) QUE SE PRODUZCA COMO CONSECUENCIA DE LA VENTA O UTILIZACION DE ESTE PRODUCTO. ALGUNOS ESTADOS DE LOS EE.UU. Y ALGUNAS PROVINCIAS CANADIENSES NO PERMITEN LA EXCLUSION O LIMITACION DE LOS DAÑOS INCIDENTALES O EMERGENTES, POR LO QUE ES POSIBLE QUE LA LIMITACION O EXCLUSION ANTERIOR NO SEA APLICABLE EN EL CASO DE USTED.

ESTA GARANTIA LIMITADA LE CONFIERE A USTED DERECHOS LEGALES ESPECIFICOS Y ES POSIBLE QUE USTED TAMBIEN TENGA OTROS DERECHOS QUE VARIAN DE ESTADO A ESTADO EN LOS EE.UU., DE PROVINCIA A PROVINCIA EN CANADA Y DE UN PAIS A OTRO.

ESTA GARANTIA LIMITADA SE APLICA SOLAMENTE A HERRAMIENTAS ELECTRICAS PORTATILES Y PARA TABLERO DE BANCO VENDIDAS EN LOS ESTADOS UNIDOS DE AMERICA, CANADA Y EL ESTADO LIBRE ASOCIADO DE PUERTO RICO. PARA COBERTURA DE GARANTIA EN OTROS PAISES, PONGASE EN CONTACTO CON SU DISTRIBUIDOR O IMPORTADOR LOCAL DE BOSCH.

© Robert Bosch Tool Corporation 1800 W. Central Road Mt. Prospect, IL 60056-2230

Exportado por: Robert Bosch Tool Corporation Mt. Prospect, IL 60056-2230, E.U.A.

Importado a México por: Robert Bosch, S.A. de C.V., Calle Robert Bosch No. 405, Zona Industrial, Toluca, Edo. de México, C.P. 50070, Tel. (722) 2792300

## Free Manuals Download Website

<http://myh66.com>

<http://usermanuals.us>

<http://www.somanuals.com>

<http://www.4manuals.cc>

<http://www.manual-lib.com>

<http://www.404manual.com>

<http://www.luxmanual.com>

<http://aubethermostatmanual.com>

Golf course search by state

<http://golfingnear.com>

Email search by domain

<http://emailbydomain.com>

Auto manuals search

<http://auto.somanuals.com>

TV manuals search

<http://tv.somanuals.com>