



# Clipper™

## Owner's Manual – model 425621x108A

**This Instruction Book contains information for several models.  
Read and keep this book for future reference.**

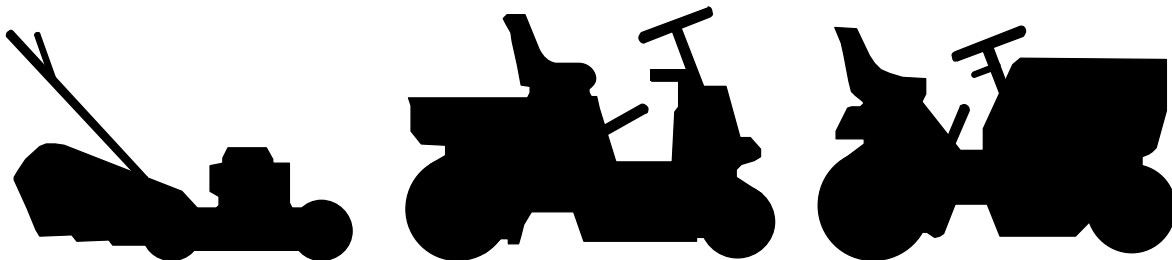
**This book contains important information on  
SAFETY, ASSEMBLY, OPERATION, AND MAINTENANCE.**

### PRODUCT INFORMATION

**The owner must be certain that all  
the product information is included with the unit.**

**This information includes  
the INSTRUCTION BOOKS,  
the REPLACEMENT PARTS and the WARRANTIES.**

**This information must be included to make sure state laws and other laws  
are followed.**



**RECORD THE FOLLOWING INFORMATION ABOUT YOUR UNIT. THIS INFORMATION IS  
NECESSARY WHEN ORDERING PARTS OR IN CASE OF LOSS OR THEFT.**

**WHERE PURCHASED:** \_\_\_\_\_.

**DATE PURCHASED:** Day \_\_\_\_\_ Month \_\_\_\_\_ Year \_\_\_\_\_.

**MODEL NO:** \_\_\_\_\_ **DATE OF MANUFACTURER:** \_\_\_\_\_.

F-050761L

# TABLE OF CONTENTS

WARRANTY .....	2	OPERATING TIPS .....	21
RESPONSIBILITY OF THE OWNER .....	3	MOWING AND BAGGING TIPS .....	21
SAFETY RULES .....	3	MAINTENANCE .....	22
INTERNATIONAL PICTORIALS .....	9	MAINTENANCE CHART .....	22
ASSEMBLY .....	10	HOW TO CHECK THE MUFFLER .....	22
PARTS BAG – CONTENTS .....	10	HOW TO REMOVE AND INSTALL THE BLADE .....	23
HOW TO INSTALL THE FRONT WHEELS .....	11	HOW TO SHARPEN THE BLADE .....	23
HOW TO INSTALL THE SEAT .....	12	HOW TO ADJUST THE BLADE ROTATION CONTROL .....	24
HOW TO ASSEMBLE THE STEERING WHEEL .....	12	HOW TO CHECK AND ADJUST THE MOTION DRIVE BELT .....	25
HOW TO ASSEMBLE THE GAUGE WHEELS .....	13	HOW TO CHECK AND ADJUST THE DRIVE BRAKE .....	26
MAINTENANCE FREE BATTERY .....	13	MAINTENANCE FREE BATTERY .....	26
HOW TO INSTALL THE BATTERY CABLES .....	13	HOW TO CHARGE THE BATTERY .....	26
IMPORTANT! BEFORE YOU START MOWING .....	14	WHERE TO LUBRICATE .....	27
HOW TO PREPARE THE ENGINE .....	14	HOW TO CHECK THE FUEL FILTER .....	27
CHECK THE TIRES .....	14	CHECK THE TIRES .....	27
CHECK THE LEVEL OF THE MOWER HOUSING .....	14	HOW TO REMOVE THE MOWER HOUSING .....	28
OPERATION .....	15	HOW TO INSTALL THE MOWER HOUSING .....	28
LOCATION OF CONTROLS .....	15	HOW TO ADJUST THE GAUGE WHEELS .....	29
ATTACHMENTS .....	16	HOW TO LEVEL THE MOWER HOUSING .....	30
HOW TO USE THE THROTTLE CONTROL .....	16	HOW TO REPLACE THE MOTION DRIVE BELT .....	31
HOW TO USE THE BLADE ROTATION CONTROL .....	16	HOW TO REPLACE THE MOWER DRIVE BELT .....	32
HOW TO USE THE SPEED CONTROL PEDAL .....	17	HOW TO INSTALL THE WHEELS .....	33
HOW TO DISCONNECT THE TRANSMISSION .....	17	HOW TO REPLACE THE FUSE .....	34
HOW TO SET THE PARKING BRAKE .....	18	HOW TO REPLACE THE LIGHT BULB .....	34
HOW TO CHANGE THE CUTTING HEIGHT .....	18	HOW TO CLEAN THE MOWER HOUSING .....	34
HOW TO STOP THE UNIT .....	18	STORAGE (OVER 30 DAYS) .....	34
HOW TO TRANSPORT THE UNIT .....	18	TROUBLE SHOOTING CHART .....	35
HOW TO OPERATE WITH THE MOWER HOUSING .....	19	PARTS LIST .....	38
HOW TO OPERATE THE UNIT ON HILLS .....	19	SLOPE GUIDE .....	50
BEFORE STARTING THE ENGINE .....	20	INDEX .....	51
HOW TO START THE ENGINE .....	20		

## WARRANTY

### General

Rover Mowers Limited warrant this machine or accessory is free of defects in material and workmanship. Claims are limited to making good or replacing any part found defective by the manufacturer or his agent. The warranty period shall apply from the date of purchase for a period of 12 months for domestic use or 90 days for commercial use. Warranty applies to Australia and New Zealand only. Contact any Rover Mowers Limited authorised service dealer or Rover Agent.

**Extended warranty:** For domestic use only, a 24 months extended warranty applies. It requires the customer to complete the '2 Year warranty registration card', and forward along with a copy of the cash register receipt to "Warranty, Rover Mowers Limited". Normal warranty exclusions as listed still apply.

**Exclusions:** Following is a list of conditions excluded from warranty; all engines, parts that are considered suffering from wear and tear, parts that are damaged due to abuse or misuse, parts that can be subjected to use beyond their normal intended working capacity Eg; blades, blade bolts, v-belts and spark plugs. If repairs or alterations have been made without the manufacturer's written authority. Any transport costs involved in the repair or replacement of and defective parts. If it is found that parts other than genuine have been used on the machine.

**NOTE:** This warranty does not exclude any conditions or warranty implied by the Trade Practices Act 1974 or any other relevant legislation. Engine warranty is covered by the engine manufacturer and could differ from the warranty of the rest of the machine. Refer to the engine manual (if included) or consult the nearest engine service dealer.

Proof of date of purchase should be retained as it needs to be presented if warranty is to be claimed. Fill out the details on previous page as a record for warranty purposes.

**Rover Mowers Limited reserves the right to make changes and add improvements to its products at any time without notice or obligation. Rover Mowers Limited reserves the right to discontinue manufacture of any product any any time at its discretion.**

Rover Mowers Limited  
PO Box 1235  
Eagle Fram  
Queensland 4009  
AUSTRALIA



ABN 11 000 257 303

Rover Mowers Limited  
East Tamaki  
Auckland  
NEW ZEALAND



# OWNER'S INFORMATION

This instruction book is for several different models. The instructions are written for a person with some mechanical ability. Like most service books, not all the steps are described. Steps on how to loosen or tighten fasteners are steps anyone can follow with some mechanical ability. Read and follow these instructions before you use the unit.

**Know your product:** If you understand the unit and how the unit operates, you will get the best performance. As you read this manual, compare the illustrations to the unit. Learn the location and the function of the controls. To help prevent an accident, follow the operating instructions and the safety rules. Keep this manual for future reference.

**IMPORTANT:** Many units are not assembled and are sold in cartons. It is the responsibility of the owner to make sure the assembly instructions in this manual are exactly followed. Other units are purchased in an assembled condition. On assembled units, it is the responsibility of the owner to make sure the unit is correctly assembled. The owner must carefully check the unit according to the instructions in this manual before it is first used.



## WARNING:



**Engine Exhaust, some of its constituents, and certain vehicle components contain or emit chemicals known to cause cancer and birth defects or other reproductive harm.**

**Battery posts, terminals and related accessories contain lead and lead compounds, chemicals known to cause cancer and birth defects or other reproductive harm. WASH HANDS AFTER HANDLING.**

## RESPONSIBILITY OF THE OWNER

**The responsibility of the owner is to follow the instructions below.**

1. Carefully read and follow the rules for safe operation.
2. Follow all the assembly instructions.
3. Inspect the unit.
4. Make sure that the operator of the unit knows how to correctly use all standard and accessory equipment.
5. Operate the unit only with guards, shields, and other safety items in place and working correctly.
6. Correctly adjust the unit.
7. Service the unit only with authorized or approved replacement parts.
8. Complete all maintenance on the unit.

### Environmental Awareness

- Do not fill the engine's fuel tank completely full.
- Drain fuel for off-season storage.
- Use only unleaded gasoline.
- Service the air cleaner regularly.
- Change oil regularly. Use 10W-30 oil in summer.
- Tune-up the engine regularly.
- Keep equipment in efficient operating condition.
- Dispose of used engine oil properly.

## SAFETY RULES

### Safe Operation Practices for Ride-on Mowers



**WARNING: This cutting machine is capable of amputating hands and feet and throwing objects. Failure to observe the following safety instructions could result in serious injury or death.**

### I. General operation

1. Read, understand and follow all instructions in the Instruction Book, on the machine, the engine and with any attachments before starting.
2. Only allow responsible adults, who are familiar with the instructions, to operate the machine.
3. Clear the area of objects such as rocks, toys, wire, etc., which could be picked up and thrown by the blade.
4. Be sure the area is clear of other people before mowing. Stop the machine if anyone enters the area.
5. Never carry passengers.
6. Turn off power to the blades or any attachments before backing up. Do not mow in reverse unless absolutely necessary. Always look down and behind before and while backing.
7. Be aware of the mower discharge direction and do not point it at anyone. Do not operate the mower without either the entire grass bagger or the mower guard in place.
8. Slow down before turning.
9. Never leave a machine unattended with the engine running. Always turn off the blade(s), set the parking brake, stop the engine and remove the key before dismounting.
10. Turn off power to attachment(s) when transporting or not in use. Turn off the blade(s) when not mowing.
11. Stop the engine before removing the grass bagger or unclogging the chute.
12. Mow only in daylight or good artificial light.
13. Do not operate the machine while under the influence of alcohol or drugs or when very tired.
14. Watch for traffic when operating near or crossing roadways.
15. Use extra caution when loading or unloading the machine into a trailer or truck.
16. Turn off all attachment clutches before attempting to start the engine.
17. Always wear goggles, safety glasses, or an eye shield when you operate the unit to protect your eyes from foreign objects that can be thrown from the unit. Always wear eye protection when you make an adjustment or repair to the machine.
18. Use care when pulling loads or using heavy equipment.
  - a. Use only approved drawbar hitch points.

---

# OWNER'S INFORMATION

---

- b. Limit loads to those you can safely control.
  - c. Do not turn sharply. Use care when backing.
  - d. Use counterweights or wheel weights when suggested in the Instruction Book.
19. Do not operate this machine if you are taking drugs or other medication which can cause drowsiness or affect your ability to operate this machine.
  20. Do not use this machine if you are mentally or physically unable to operate this machine safely.
  21. Data indicates that operators, age 60 years and above, are involved in a large percentage of riding mower related injuries. These operators should evaluate their ability to operate a riding mower safely enough to protect themselves and others from serious injury.

## II. Slope operation

**Slopes and rough terrain are major factors related to loss-of-control and tip-over accidents, which can result in severe injury or death. ALL slopes require extra caution. If you cannot back up the slope or if you feel uneasy on the slope, do not mow it. See the "Slope Guide" in the back of this book to check for safe operation.**

### DO

1. Mow up and down slopes, not across.
2. Remove obstacles such as rocks, limbs, etc...
3. Watch for holes, ruts or bumps. Uneven terrain could overturn the machine. *Tall grass can hide obstacles.*
4. Use slow speed on slopes. Do not make sudden speed changes.
5. Follow the manufacturer's recommendations for wheel weights or counterweights to improve stability.
6. Use extra care with grass baggers or other attachments, they can change the stability of the machine.
7. Keep all movement on the slopes **slow and gradual**. Do not make sudden changes in speed or direction.
8. Avoid starting or stopping on a slope. If tires lose traction, turn off the blades and proceed slowly **straight down** the slope.

### DO NOT

1. **Do not** turn on slopes unless absolutely necessary, then only turn slowly and gradually downhill, if possible.
2. **Do not** mow drop-offs, ditches or embankments. A wheel over the edge or an edge caving in could cause a sudden overturn and an injury or death.
3. **Do not** mow on wet grass. Reduced traction could cause sliding.
4. **Do not** try to stabilize the machine by putting your foot on the ground.
5. **Do not** use a grass bagger or other rear mounted accessories on steep slopes (greater than 10 degrees).

## III. Children

**Tragic accidents can occur if the operator is not alert to the presence of children. Children are often attracted to the machine and the mowing activity. NEVER assume that children will remain where you last saw them.**

1. Keep children out of the mowing area and in the watchful care of another responsible adult.
2. Be alert and turn the engine off if children enter the area.
3. Before and when backing, look **behind and down** for small children.
4. Never carry children or any passengers, even with the blades off. They may fall off and be seriously injured or interfere with the safe operation of the machine.
5. Never allow children to operate the machine. Instruct children in the potential dangers of the machine.
6. Use extra care when approaching blind corners, shrubs, trees or other objects that may obscure vision.

## IV. Service

1. Use extra care when handling gasoline and other fuels. Fuels are flammable and the vapors are explosive.
  - a. Use only an approved container.
  - b. Never remove the gas cap or add fuel with the engine running. Allow the engine to cool for several minutes before refueling. Do not smoke.
  - c. Never refuel the machine indoors.
  - d. Never store the machine with fuel in the tank or fuel container inside where there is an open flame, such as a water heater.
2. Never start or run the engine inside a closed area.
3. Keep all nuts and bolts, especially the blade attachment nuts tight. Frequently check the blade(s) for wear or damage such as cracks and nicks. A blade that is bent or damaged must be immediately replaced with an original equipment blade from an authorized service dealer. For safety, replace the blade every two years. Keep the equipment in good condition.
4. Never tamper with the safety devices. Check their proper operation regularly.
5. To reduce fire hazards, keep the machine free of grass, leaves or other debris build-up. Clean up oil or fuel spills. Allow the machine to cool before storing.
6. Stop and inspect the equipment if you strike an object. Repair, if necessary, before restarting.
7. Never make adjustments or repairs with the engine running. The carburetor can be adjusted with the engine running. Do not change the engine governor settings or over-speed the engine.
8. Grass bagger components are subject to wear, damage and deterioration, which could expose moving parts or allow objects to be thrown. For storage, always make sure the grass bag is empty. Frequently check components and replace with manufacturer's recommended parts when necessary.
9. Mower blade(s) are sharp and can cut. Wrap the blade(s) or wear gloves and use extra caution when servicing them or the blade housing area.
10. Check the brake operation frequently. Adjust and service as required.
11. Wait for all movement to stop before servicing any part of the unit.

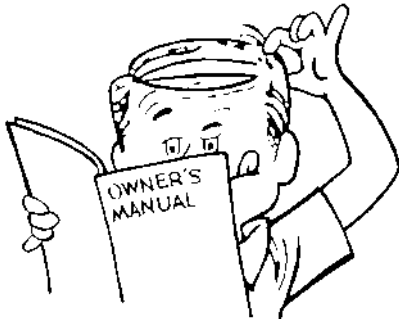


**Look for this symbol to indicate important safety precautions. This symbol indicates: "Attention! Become Alert! Your Safety Is At Risk."**

# SAFE MOWING GUIDE

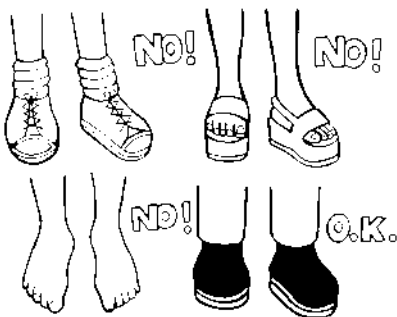
Each person that operates power equipment must learn to use correct and safe mowing procedures. **To help you learn, carefully read the following pages.** Most of the time the operator was not correctly shown or did not read the instructions on the unit or in the Instruction Book before using the unit. Also, some operators do not have enough experience. The result is unsafe use, endangering the operator, bystanders and the equipment. Another result can be a poor appearance of the area mowed.

**Read this book.** Read the instructions on the unit. Operate the mower according to the Safe Mowing Guide. Follow all safety rules, cautions or warnings in this book and on the unit. Make sure anyone that uses the unit reads the instructions and is told how to safely operate the mower.



The mower will give you good service and durability, if operated in normal conditions. If the mower is not correctly serviced or is used where the terrain is rough or unsuitable, product performance and safety will be decreased.

Correct clothing is an important part of safe mowing. Safety glasses will protect the eyes from objects discharged by the mower. Safety shoes with steel plates can protect a foot from injury by the blade. For protection from objects discharged from the mower, wear clothing that will cover the arms and legs.



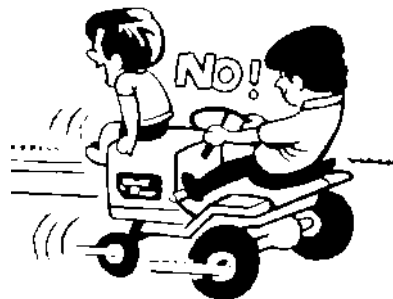
Before you start cutting the grass, practice using the mower in a large open and level area. Learn the location of the controls on the mower. Know the purpose of the

controls and how they work. In an emergency, how fast you can stop the blade is important. Learn how to control the mower at all times.

Many engines are started by hand. When you use a pull start or rope start, place your feet apart and away from the blade(s). Hold the rope handle tight. Never wrap the rope around your arm or fingers for a "better grip". To start the engine, follow the instructions on the mower, in this book and in the engine operating instructions.

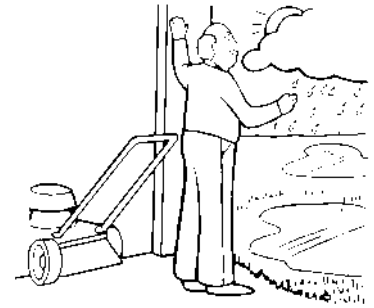
For electric start engines, sit in the seat to start the engine. The battery can be dangerous. Follow the instructions on the battery, the acid container, and in this book when working with the battery. Even small batteries have enough voltage to cause an injury. Always be careful.

The mower is designed to be operated by one person. Never let another person ride with you on the unit or on any accessories. A passenger will make the unit harder to control, block the visibility or distract the operator and is dangerous to the operator, the passenger and the equipment. Without a passenger seat, the passenger can fall from the mower or contact dangerous parts. A mower is not a toy for showing off or for giving rides.



Never cut a wet lawn. Wet grass can cause an accident, affect mower performance and can cause problems with future lawn growth and appearance. Wet grass is slippery and can cause the mower to slip. Someone can get injured by touching the blade(s). Wet grass tends to clog the mower, causing poor discharge. Cut wet grass will collect on the lawn, retarding the growth of the grass. Also, getting the mower wet will cause parts to rust and decrease the life of the unit.

When you look over the lawn, remember obstacles that cannot be removed, like pipes, stumps or rocks. Keep away from these obstacles that can cause damage to the mower or injury to the operator or a person near the mower. Clear the area of rocks, toys, wire or other loose objects. These items can damage the mower or can be discharged by the mower blade.



The blade of a power mower rotates very fast. It can discharge rocks and other objects over a long distance which can be dangerous. The force of the objects can break windows, cause injuries or even put an eye out. Most of the time the injury is to a person, like a child. Keep every person completely away from the area to be mowed. Make sure the grass is not discharged toward anyone. Planning your mowing pattern has a double advantage. It can decrease the possibility of an injury and make the clean up after mowing easier.



Check the terrain of the area to be mowed. Mow in a pattern that will keep you away from dangerous areas. Check the distance you need to stop and the distance available to turn. Slopes and rough terrain must be mowed carefully and some areas must not be mowed at all. With riding mowers, mow up and down the hill. When you must mow rough terrain or on slopes, drive slowly and stop in these areas only in an emergency. Before you ride up or down a slope, try to back straight up the slope. Do not ride up or down a slope that is too steep to back straight up. See the "Guide" in the back of this Instruction Book to check any slopes.

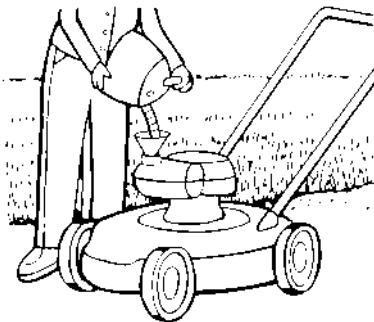


Before you start cutting, make sure the mower was completely assembled according to the Instruction Book. If the mower was completely assembled at the

# SAFE MOWING GUIDE

store, you must still check the mower according to the assembly instructions. Make sure the mower is correctly assembled and that all fasteners are tight. Make sure the engine has the correct amount of oil. Check these items often during the life of the mower.

Your mower has a gasoline engine. Gasoline is a dangerous fuel. Keep gasoline only in an approved safety gasoline container. Do not keep large amounts of gasoline. When you add gasoline to the fuel tank, do not smoke. Store the gasoline container and the mower in an area that has good ventilation. Also, keep the gasoline away from any flames like the pilot light of a furnace or any other source of ignition. If the mower is to be stored for more than a few weeks, remove the gasoline from the fuel tank. When inside an enclosure, do not add gasoline to the fuel tank. Before you add gasoline, move the mower outside and add gasoline carefully. Before you start the engine, remove any gasoline from the outside of the fuel tank or from the mower. Warm gasoline will expand. Leave some space in the fuel tank for the gasoline to expand. Also, the fuel cap has a vent hole for fuel vapors. Always use the correct fuel cap. Failure to follow safety rules about gasoline will cause fires and explosions, injury to you and damage to the equipment and other property.



If you add gasoline to an engine that is running or hot, the result can be an explosion. Before you add gasoline, stop the engine and let the engine cool for several minutes. Remove dry grass and other debris from the mower. Keep the mower clean to improve the performance, help the engine and transmission run cooler, extend the life of moving parts, and decrease the danger of a fire.

Fires and explosions are not the only dangers when working around a mower. The engine, transmission, and the muffler will get hot in several minutes when the engine is running. Do not touch these parts of the mower. Stop the engine. Let the

engine and transmission cool before servicing the mower. Remember, exhaust fumes are dangerous. Never operate the engine inside a building.

When you get a new mower, it can be a new experience for the family. Tell each person how a mower can be dangerous. Remember, a mower is not a toy. A mower is not to be used by children or anyone not old enough, strong enough or that does not have experience.

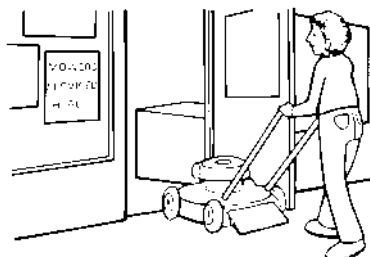
If the mower is not correctly assembled, not operated correctly, or not regularly serviced, the mower can be dangerous. The most important rule to follow is always use good judgement and common sense. Mow safely and carefully.

Your mower will easily cut thick grass. Fingers, feet and other parts can also be cut by the blade. Injuries occur when the operator does not think and reaches into the chute opening. Always operate the mower as if the blade is rotating. Do not service or make an adjustment, except to the carburetor, while the engine is running.



Use only accessories that are factory approved for your mower. The wrong accessory can decrease the safety of the mower and can even damage the unit. Read and follow the instructions included with the accessory and the mower.

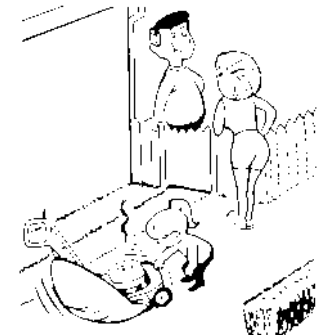
Use only original equipment or replacement parts that are factory approved for service. If you need service, select an Authorized Service Center for your mower. If you do the work on the unit, follow the instructions in the Instruction Book.



When you mow, remember that children are attracted to the mower. Always use caution when mowing around obstacles like trees or shrubs or when moving backward. Only mow in a forward direction if possible. Your visibility is decreased when you mow backward. Also, the blades are made to cut while the unit is moving forward. If you mow backward, the cutting performance decreases.



Before you leave the mower, stop the engine. Remove the key. Disengage and lower any attachment. Set the parking brake. Never mount or dismount from the seat while the engine is running. An accident can occur if you touch the brake, speed control pedal, throttle, or blade control while the engine is running. Mount and dismount from the seat on the side of the unit that is marked ENTER-EXIT.



Make sure you are in good condition when you mow. When you mow for several hours your reflexes will decrease and your mind will not be as alert. Take a short break or an accident can occur. If the temperature is hot, use caution to prevent dehydration. If you are tired, angry or not completely alert, do not operate the mower. If you use alcohol, medication or drugs, do not use the mower or any type of power equipment.

Engine speed is a key to safe mowing and to a good looking lawn. The maximum speed of the engine was set at the factory. Do not change the setting of the engine governor.

Select the maximum engine and ground speed that is right for the terrain and the height of the grass. The blade cuts best when the engine is operating at maximum speed. The engine and transmission will also run cooler at maximum engine speed.

# SAFE MOWING GUIDE

Also, the grass bagger will function better when the engine is operating at maximum speed. On slopes, decrease the ground speed and use care making sure the mower feels safe to operate.

If the weather conditions are bad, do not mow. If weather conditions become bad, stop cutting and finish later. It is dangerous to cut grass in the rain. Always find protection in an electrical storm. If the weather conditions are extra dry, protect your eyes with safety glasses from the dust and from the objects discharged by the mower. Also, a dust or a pollen mask can help.

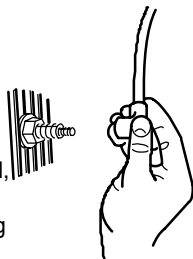


Your mower is equipped with a number of safety devices which are important to the safety of the operator and bystanders and must never be changed or removed from the mower. If a safety device is lost, damaged or no longer functions, repair or replace the device before you operate the mower.

It is best to mow during the day. If you must mow at night, make sure there is enough light for safe operation.

Your mower will require regular maintenance and service. The maintenance schedule depends on the hours of use. Also, mowing conditions can change the schedule. Check the Instruction Book for more information. Correct maintenance will help the mower function safely.

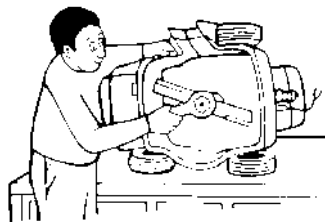
Do not service the mower (except for the carburetor adjustment) while the engine is running. Before you service the unit, even with the engine stopped, always disconnect the wire from the spark plug to prevent the engine from starting.



If you hit a large object during operation, stop the engine. Remove the wire from the spark plug. Carefully inspect the mower for damage. Before you start the engine again, make the necessary repairs. If you

feel new or excessive vibration, immediately stop the engine and check for the problem. Vibration can be a warning of a problem. Keep all nuts, bolts and screws tight.

The blade is the most dangerous part of the mower. Frequently check the blade and the blade mounting fasteners. Keep the fasteners tight. If the blade hits a solid object, stop the engine. Remove the wire from the spark plug. Check for a blade that is bent, cracked or for other damages. Before you start the engine, replace a damaged blade(s). For safety, replace the blade every two years.



A sharp blade decreases the workload on the engine and more evenly cuts grass. Frequently sharpen the blade for a better looking cut. Use the left side of the mower housing to trim near an object.

A grass bagger is a good accessory for your mower. For best performance and safety, make sure the grass bagger is approved for use with your mower. Follow the assembly and operation instructions included with the grass bagger.

Some grass baggers require a special blade for best performance. Before you attach, check, or empty the grass bagger, always stop the engine. Before each use of the grass bagger, check for cracks, wear or deterioration. Before you use the grass bagger, replace a damaged part with a replacement part approved by the factory.



For you to have a good green lawn, follow the mowing procedures below. Do not cut the grass too short. If you cut the grass too short you can cause the grass to become yellow or make the lawn look brown. Use a lower height of cut in cool months when the grass is thicker. Raise the height of cut in hot dry periods. If you cut the grass with

a blade that is not sharp or at a slow engine speed you can damage the grass. Move the throttle control to the FAST position when mowing and using the grass bagger. Also, use a slower ground speed when using the grass bagger.

If you change the direction or pattern of cut slightly every time you mow will make the grass grow stronger and thicker. Do not add oil or gasoline to the mower while on the lawn. Spilled oil or gasoline can kill the grass. In high or thick grass, do not try to cut all the grass the first time. Raise the height of cut on the first cutting and lower the height for the next cutting. Another way is to cut only part of the width of the mower and decrease your ground speed (not the engine) to move more slowly so that the mower can discharge the grass as it moves forward.

Understand the controls and how they work. Learn the ground speed(s) of your mower. Check the stopping distance required at different travel speeds. Check the turning radius of the mower. The controls on your riding mower are different from an automobile. The throttle is operated by hand and holds the engine speed constant until it is changed. The location of the travel speed control is different from that of an automobile. Also, the brake and clutch systems are different. Remember the procedures to follow in an emergency. Remember, turning off the engine ignition switch will stop the blade and the drive mechanism. If the traction of the wheels is lost or does not feel safe, disengage all systems and stop the engine. Dismount from the mower. Push the unit to a safe place before you begin mowing again.

Your unit has an electrical system that includes an operator presence switch in the seat. The operator presence switch detects if the operator is sitting on the seat. The engine will stop if the operator leaves the seat when the blade engagement control is engaged. This operator presence switch is a safety device only. It must not regularly be used to stop the engine or the blade. There are other control systems on the mower for this purpose. Always keep the operator presence switch and other safety devices and controls in place and operating for your protection.

Remember, your mower is a tool that can be dangerous if it is not correctly used. Follow the instructions in this Instruction Book. Safe and careful use of the mower will give you many safe hours of problem free use.

---

# STEPS TO FOLLOW

---

## BEFORE MOWING

- Be sure to dress correctly. Wear hard shoes, not sandals or tennis shoes.
- Examine the blade. A blade that is bent, cracked, or damaged must be replaced with a factory replacement blade.
- Fill the fuel tank outside. Clean off spilled fuel.
- Read and follow the Owner's Manual, the instructions with the engine, and the instructions with any attachments. Owner's Manual instructions are for your safety and the safety of others.
- Exhaust fumes are dangerous. Start the engine outside.
- Make sure all safety devices are in place and working correctly.
- Operation of the mower is only for a person that has experience.
- Wet grass can be dangerous. Let the grass dry.
- Instruct children and others to keep away from the work area.
- Never cut the grass without good light.
- Pick up loose objects. Remove them from the mowing area.

## WHILE MOWING

- Watch for fixed objects and avoid them. They can damage the mower or cause injury.
- A hot engine, muffler, and transmission will cause a burn. Do not touch.
- Inclines and slopes must be carefully mowed. See the "Guide" in the back of this book to check a slope.
- Lack of daylight or good artificial light is cause to stop mowing.
- Examine the mower, the blade, and other parts for damage after hitting a foreign object or if the unit vibrates excessively.
- Do not make adjustments or repairs without stopping the engine. Disconnect the spark plug wire.
- On or near roads, watch out for traffic. Direct discharge away from roads.
- When mowing, avoid areas where traction is unsure. Look back before changing direction of travel.
- In heavy grass, raise the cutting height. Cut slower. Stop the engine to remove clogged grass from the mower.
- Never remove any safety related parts.
- Do not pour gasoline into a engine that is hot or running.

## AFTER MOWING

- Always let the mower cool before storing in an enclosed area.
- Foreign material on the mower is dangerous. Clean off grass, leaves, grease and oil before storing.
- Tighten all loose nuts, bolts and screws before you use the unit.
- Empty and clean any grass catcher or other accessory.
- Remove the key or disconnect the spark plug wire to prevent unauthorized use.
- Make sure the mower is not kept near a source of ignition. Gas fumes can cause an explosion.
- Only original parts or factory approved substitutes can be used to service the mower.
- When storing the mower for an extended period, remove the fuel from the fuel tank.
- Instruct children to leave the mower alone. It is not a toy.
- Never keep gasoline near a source of ignition. Always use an approved container. Keep gasoline away from children.
- Lubricate according to the Instruction Book. See "Lubrication".

**IMPORTANT--Read the Instruction Book. Keep this book for future use and reference.**



**WARNING: Look for this symbol to point out important safety precautions. It means: "Attention! Become Alert! Your Safety Is Involved."**



# INTERNATIONAL PICTORIALS

## INTERNATIONAL PICTORIALS

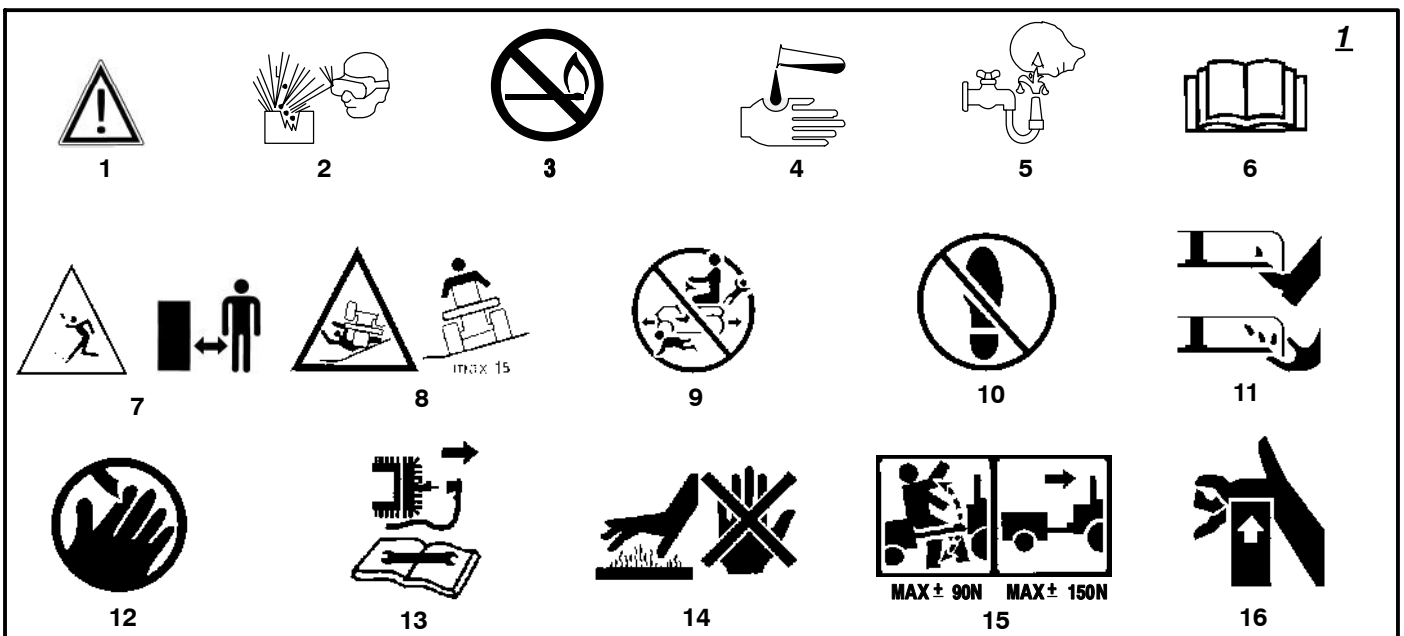
**IMPORTANT:** Some of the following pictorials are located on your unit or on literature supplied with the product. Before you operate the unit, learn and understand the purpose for each pictorial.

### Safety Warning Pictorials

- 1 Warning
- 2 Shield Eyes. Explosive Gases Can Cause Blindness Or Injury.
- 3 No Sparks, Flames or Smoking.
- 4 Sulphuric Acid Can Cause Blindness Or Severe Burns

- 5 Flush Eyes Immediately With Water. Get Medical Help Fast.
- 6 IMPORTANT: Read Owner's Manual Before Operating This Machine.
- 7 WARNING: Thrown Objects. Keep Bystanders Away. Read User Instructions Before Operating This Machine.
- 8 WARNING: Do Not Use This Machine On Slopes Greater Than 15 Degrees.
- 9 DANGER: Keep People, Especially Children, Away From Unit.

- 10 DANGER: No Step.
- 11 DANGER: Keep Feet And Hands Away From Rotating Blade.
- 12 DANGER: Keep Hands Away From Rotating Blade.
- 13 DANGER: Disconnect Spark Plug Wire Before Servicing Unit.
- 14 WARNING: Hot Surface.
- 15 WARNING: Use Caution When Connecting Or Disconnecting Accessories.
- 16 WARNING: Crushed Fingers.

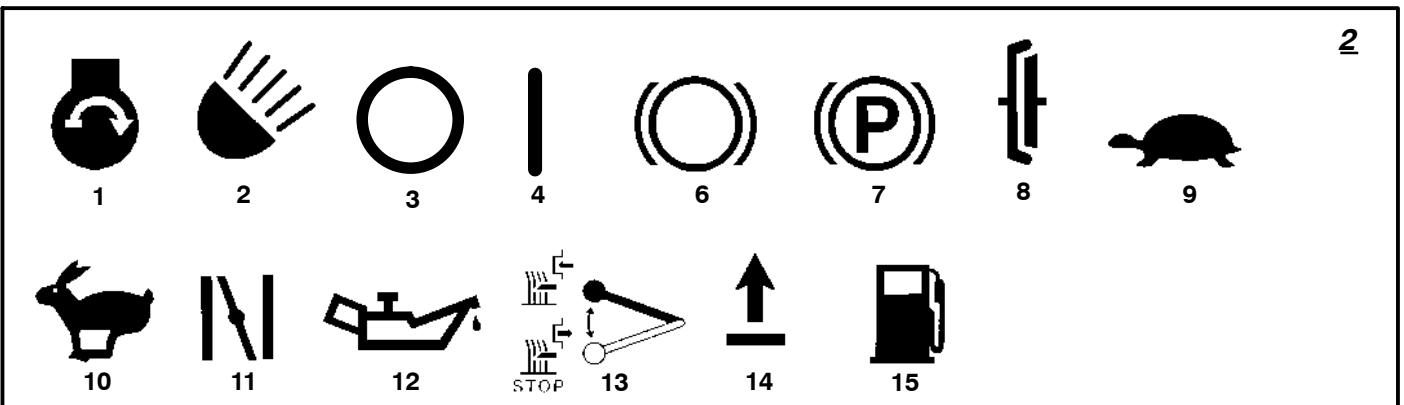


### Control And Operating Pictorials

- 1 Engine Start
- 2 Lights
- 3 Engine Off
- 4 Engine On

- 6 Brake
- 7 Parking Brake
- 8 Clutch
- 9 Slow
- 10 Fast

- 11 Choke
- 12 Oil
- 13 Blade Rotation Control
- 14 Raise
- 15 Fuel



---

# ASSEMBLY

---

## ASSEMBLY

Read and follow the assembly and adjustment instructions for your mower. All fasteners are in the parts bag. Do not discard any parts or material until the unit is assembled.



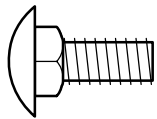
**WARNING:** Before doing any assembly or maintenance to the mower, remove the wire from the spark plug.

**NOTE:** In this instruction book, left and right describe the location of a part with the operator on the seat.

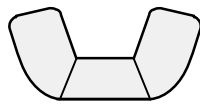
---

## PARTS BAG – CONTENTS

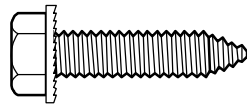
The fasteners and other loose parts are shown below. The fasteners are shown full size. The quantity is shown in brackets ( ).



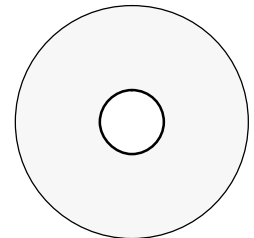
2x82  
(2) Carriage Bolt



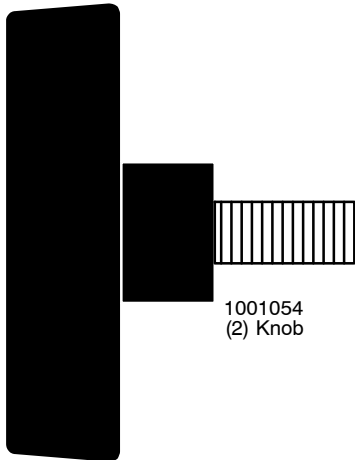
14x79  
(2) Wing Nut



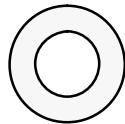
25x3  
(1) Bolt



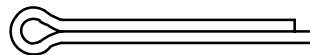
17x146  
(1) Washer



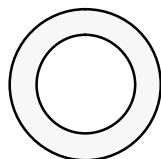
1001054  
(2) Knob



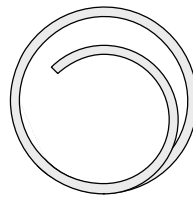
17x47  
(2) Washer



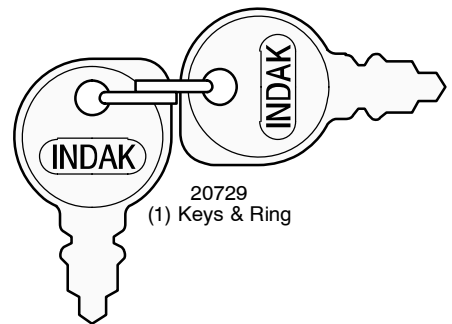
30x49  
(2) Cotter Pin



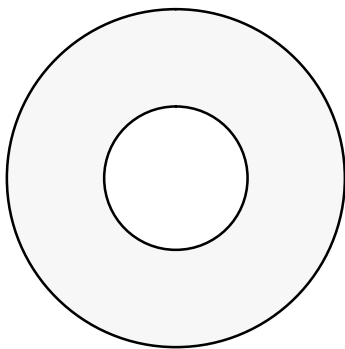
17x91  
(2) Washer



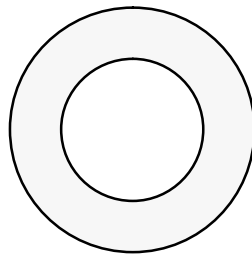
31x11  
(2) Hair Pin



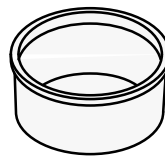
20729  
(1) Keys & Ring



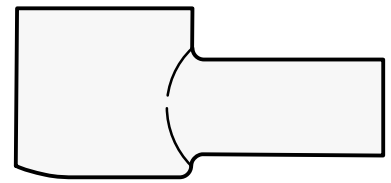
17x195  
(2) Washer



17x192  
(2) Washer



94618  
(2) Hub Cap



690604  
(1) Terminal Cover

# ASSEMBLY

## HOW TO INSTALL THE FRONT WHEELS

Use a knife and cut the four sides of the container. Install the **front wheels** in the container.

**NOTE: Use a piece of wood about 4 feet (1.25 meters) long to raise the front of the tractor. If a piece of wood cannot be found, get another person to help lift the tractor. Be careful, do not let the tractor fall.**

1. Raise the front of the tractor. Set a support (block of wood) under the tractor.
2. Make sure the **valve stem** is to the outside of the tractor. Slide the **front wheel** on the **spindle**.
3. Fasten each **front wheel** with **washer, washer** and **cotter pin**. Bend the ends of the **cotter pin** apart to keep the **front wheel** on the **spindle**.
4. After the **front wheels** are installed, lift the tractor from the support. Roll the tractor off of the container.
5. If your tractor has **hub caps**, install the **hub caps**. Make sure the **washers** hold the **hub caps** in place.

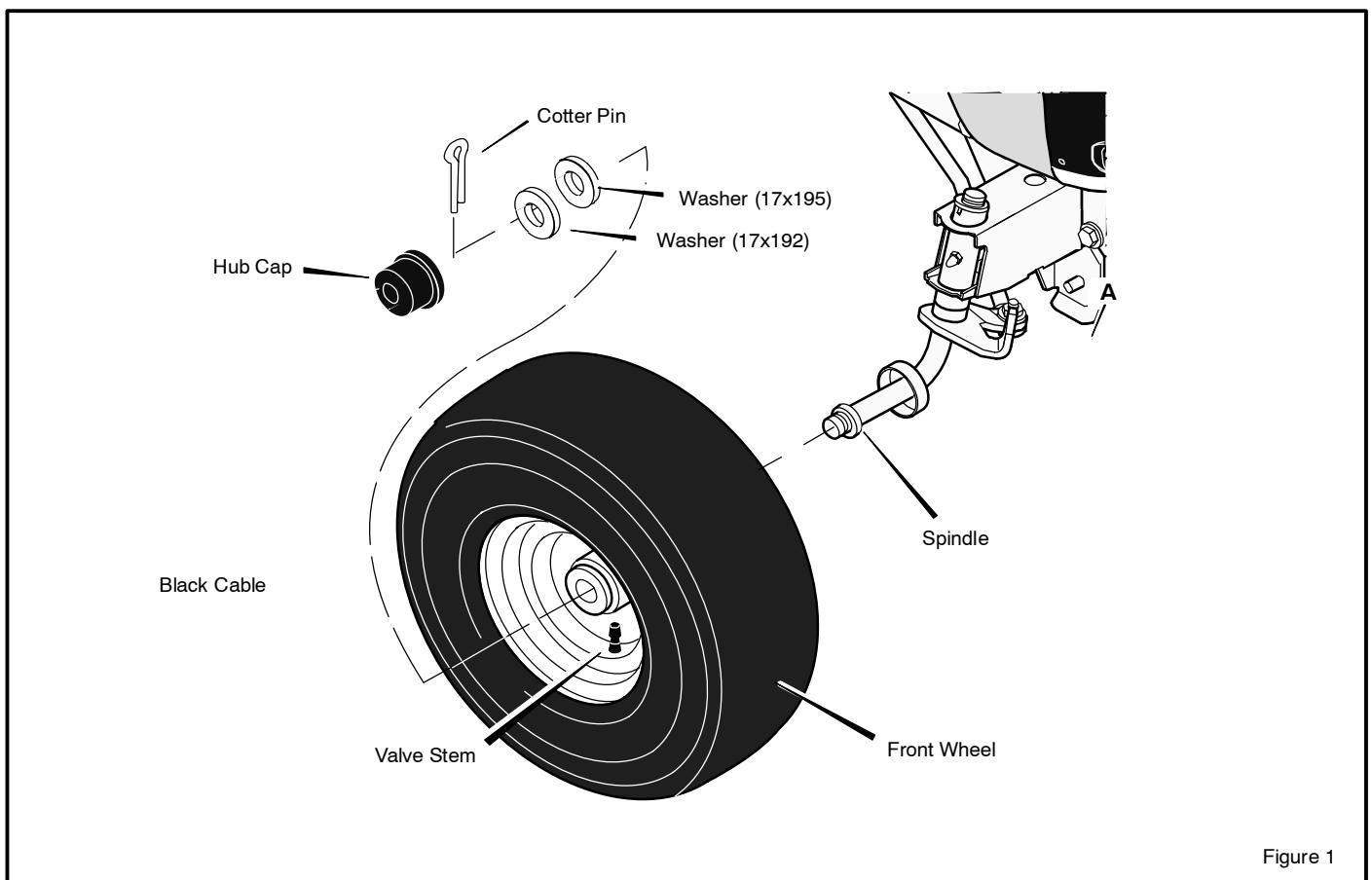


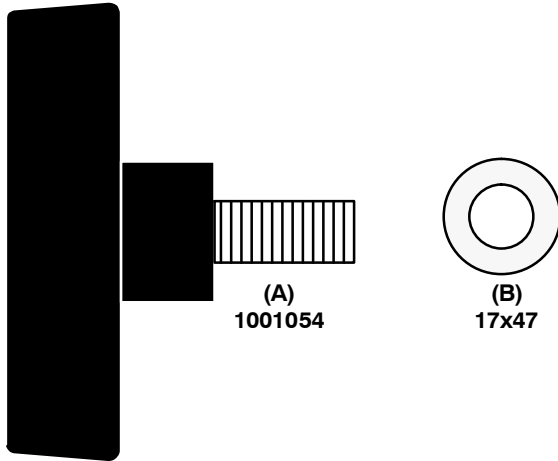
Figure 1

# ASSEMBLY

## HOW TO INSTALL THE SEAT

1. Carefully remove the plastic bag from the **seat**.

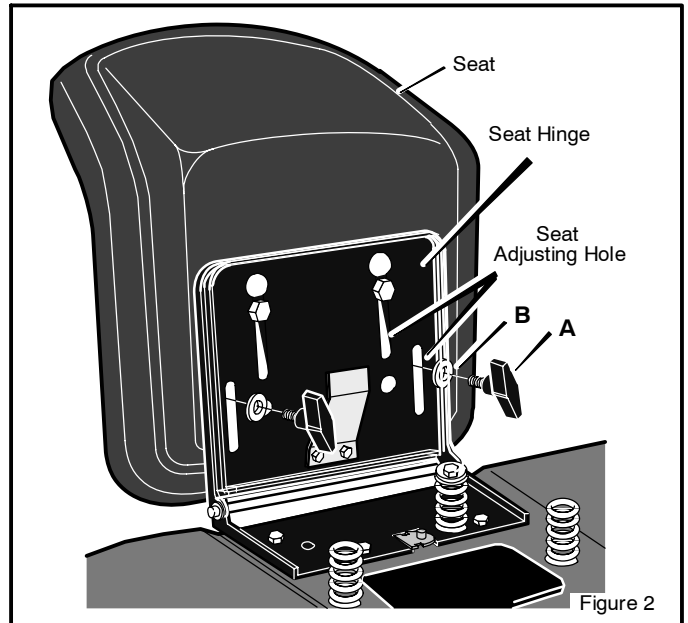
Use the fasteners shown below to install the **seat**. The fasteners are shown at full size.



**NOTE:** Fasteners may be attached to seat for shipping purposes, if so remove fasteners before proceeding.

2. Align the holes in the **seat hinge** to the holes in the **seat** (Figure 2). Fasten the **seat** to the **seat hinge** with the fasteners as shown.

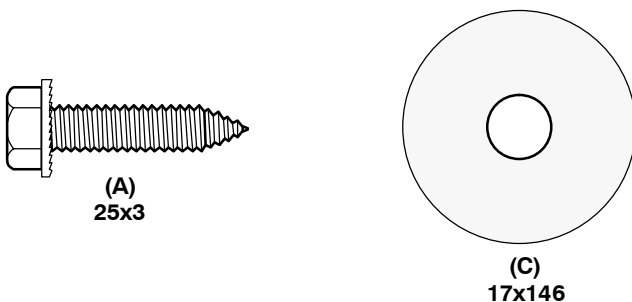
3. Check the operating position of the **seat**. If the **seat** needs to be adjusted, loosen the two **wing bolts**. Slide the **seat** forward or backward along the **seat adjusting holes** as shown. Tighten the **wing bolts (A)**.



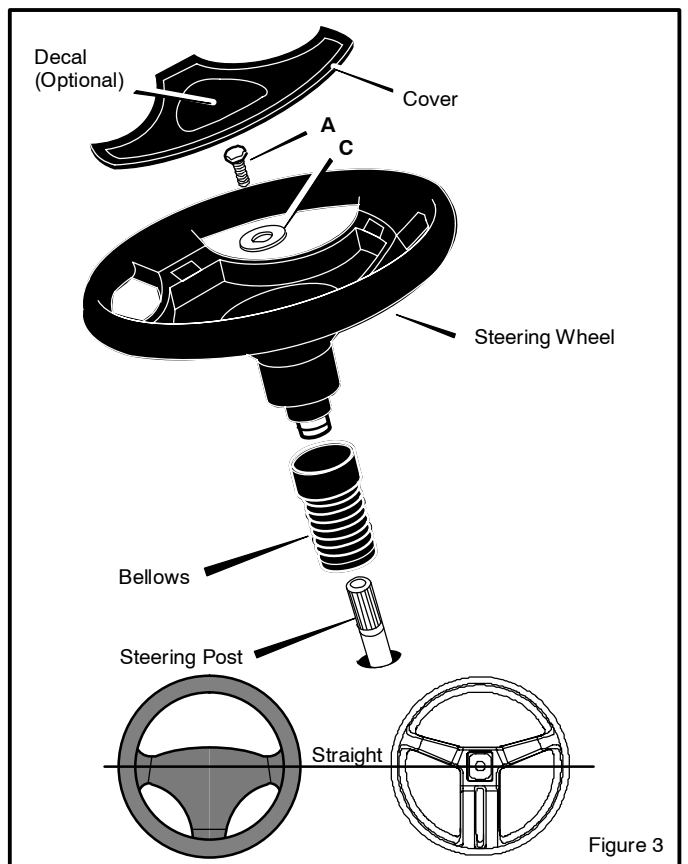
## HOW TO ASSEMBLE THE STEERING WHEEL

**Tools Required:** 3/8" Socket Wrench

Attach the steering wheel as follows:



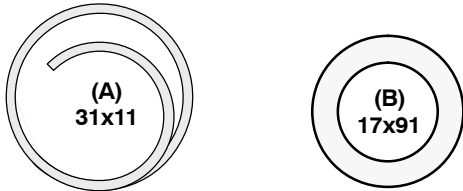
1. Make sure the front wheels point forward.
2. Slide the **bellows** over the **steering post** (Figure 3).  
**NOTE:** Before attachment of the steering wheel, make sure that the front wheels point forward and are straight. For proper alignment of the steering wheel, see Figure 3.
3. Slide the **steering wheel** onto the **steering post**.
4. Use the fasteners shown above to secure the **steering wheel**. The fasteners are shown at full size. Tighten the screw until snug and then add 1/4 turn. **DO NOT** over tighten.
5. Attach the **cover** to the **steering wheel**.
6. Some models have an *optional* **decals** in the parts bag. Attach the **decals** to the center of the **steering wheel** as shown.



# ASSEMBLY

## HOW TO ASSEMBLE THE GAUGE WHEELS

Use the fasteners shown below to install the **gauge wheels**. The fasteners are shown at full size.



1. Attach the **gauge wheels** to the **axle bolts** with the fasteners.

**NOTE:** The **axle bolt** is mounted in the **LOW** position. To change the position to a higher cutting position, see "How To Adjust The Gauge Wheels" in the Maintenance section.

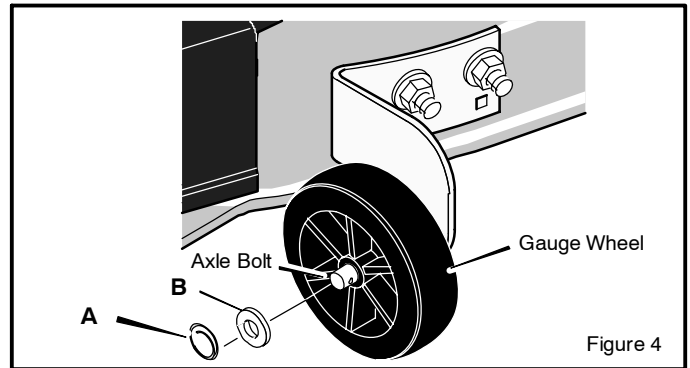


Figure 4

## MAINTENANCE FREE BATTERY

**IMPORTANT:** Before you attach the **battery cables** to the **battery**, check the **battery date**. The **battery date** tells if the **battery** must be charged.

1. Check the top and the side of the **battery** for the location of the **battery date** (Figure 5).
2. If the **battery** is put into service *before* the **battery date**, the **battery** cables can be attached without charging the **battery**. See "How To Install The Battery Cables".
3. If the **battery** is put into service *after* the **battery date**, the **battery** must be charged. See "How To Charge The Maintenance Free Battery".

## HOW TO CHARGE THE MAINTENANCE FREE BATTERY

**WARNING:** When you charge the **battery**, do not smoke. Keep the **battery** away from any sparks. The fumes from the **battery acid** can cause an explosion.

1. Remove the **battery** and **battery tray**.
2. Remove the protective cap from the **battery terminal**.

3. Use a 12 volt **battery charger** to charge the **battery**. Charge at a rate of 6 amperes for one hour. If you do not have a **battery charger**, have an authorized service center charge the **battery**.
4. Install the **battery** and **battery tray**. Make sure the **positive (+)** terminal is on the left side.

## HOW TO INSTALL THE BATTERY CABLES



**WARNING:** To prevent sparks, fasten the **red cable** to the **positive (+)** terminal before you connect the **black cable**.

Use the fasteners shown below to install the **battery cables**. The fasteners are shown at full size.



1. Remove the protective cap from the **battery terminal**.
2. Fasten the **red cable** and **terminal cover** (if equipped) to the **positive (+)** terminal with the fasteners as shown (Figure 5).
3. Fasten the **black cable** to the **negative (-)** terminal with the fasteners as shown.

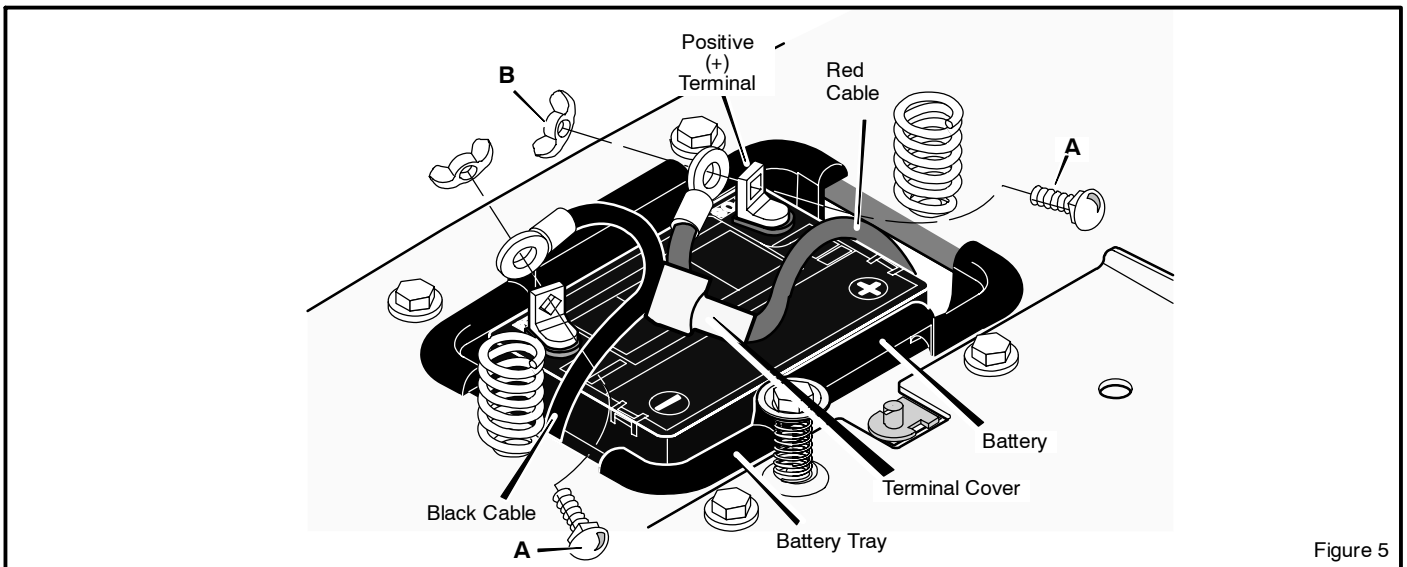


Figure 5

---

# ASSEMBLY

---

## IMPORTANT! BEFORE YOU START MOWING

- Check the engine oil.
- Fill the fuel tank with gasoline.
- Check the air pressure of the tires.
- Check the level of the mower housing.
- Make sure the battery cables are attached.
- Make sure the wire is attached to the spark plug.



**WARNING:** Before doing any assembly or maintenance to the mower, remove the wire from the spark plug.

**NOTE:** In this instruction book, left and right describe the location of a part with the operator on the seat.

---

## HOW TO PREPARE THE ENGINE

**NOTE:** The engine was shipped from the factory filled with oil. Check the level of the oil. Add oil as needed.

**NOTE:** The operation of a new engine will sometimes result in a slight amount of smoke. This smoke is caused by paint or oil on or around the muffler. This is normal and only expected during initial operation.

A separate engine manual is also included with the unit. See this engine manual for the manufacturer's instructions for the type of gasoline and oil to use. Before you use the unit, read the information on safety, operation, maintenance, and storage.



**WARNING:** Follow the engine manufacturer's instructions for the type of gasoline and oil to use. Always use a safety gasoline container. Do not smoke when adding gasoline to the engine. When inside an enclosure, do not fill with gasoline. Before you add gasoline, stop the engine. Let the engine cool for several minutes.

**IMPORTANT:** This unit is equipped with an internal combustion engine and must not be used on or near any unimproved forest-covered, brush-covered or grass-covered land unless the engine's exhaust system is equipped with a spark arrester meeting applicable local or state laws (if any). If a spark arrester is used, it must be maintained in effective working order by the operator.

In the State of California the above is required by law (Section 4442 of the California Public Resources Code). Other states may have similar laws. Federal laws apply on federal lands. See an Authorized Service Center for a spark arrester for the muffler.

In some areas, local law requires the use of a resistor spark plug to control the ignition signals. See an Authorized Service Center for a resistor spark plug for the engine.

**NOTE:** Actual sustained horsepower will likely be lower due to operating limitations and environmental factors.

---

## CHECK THE TIRES

**NOTE:** The tires were over inflated for shipment. The correct air pressure is shown on the side of the tire.

Check the air pressure in the tires. Tires with too much air pressure will cause the unit to ride rough. Also, the wrong air pressure will keep the mower housing from cutting level. The correct air pressure is shown on the side of the tire.

---

## CHECK THE LEVEL OF THE MOWER HOUSING

Make sure the level of cut is still correct. After you mow a short distance, look at the area that was cut. If the mower housing does not cut level, see the instructions on "How To Level The Mower Housing" in the Maintenance section of this instruction book.

# OPERATION

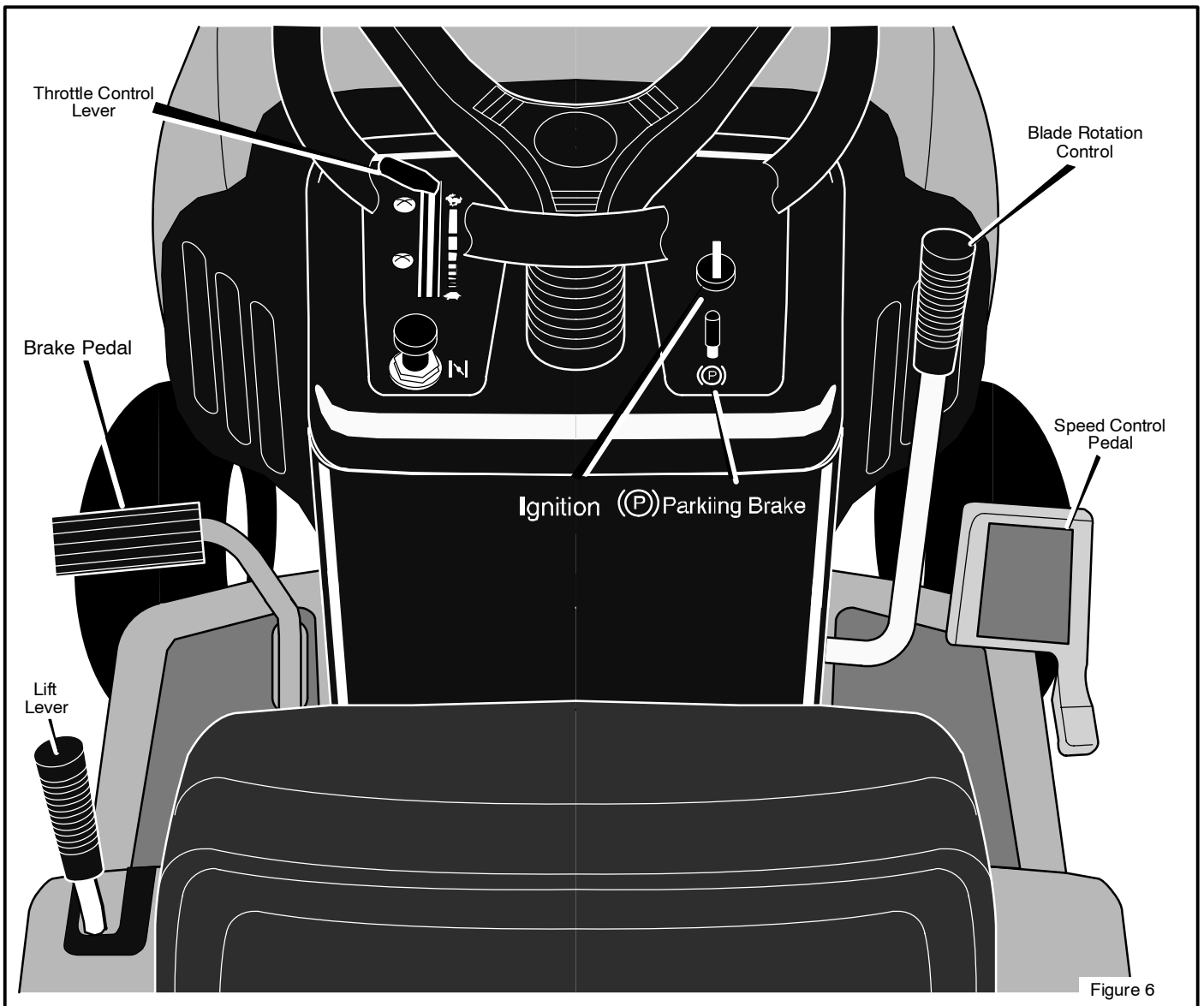


Figure 6

## LOCATION OF CONTROLS

**BLADE ROTATION CONTROL:** Use the blade rotation control to start and stop the rotation of the blade.

**BRAKE PEDAL:** Use the brake pedal to quickly stop.

**HEADLIGHT SWITCH:** The headlight switch is the first part of the ignition switch. To use the lights with the engine running, turn the key to the position for the lights.

**IGNITION SWITCH:** Use the ignition switch to start and stop the engine.

**AUTOMATIC DRIVE DISCONNECT:** Use the automatic drive disconnect, located under the seat, to disengage the transmission.

**LIFT LEVER:** Use the lift lever to change the height of cut.

**PARKING BRAKE LEVER:** Use the parking brake lever to engage the brake when you leave the unit.

**SPEED CONTROL PEDAL:** Use the speed control lever to change the speed and the direction of the unit.

**THROTTLE CONTROL LEVER:** Use the throttle control lever to increase or decrease the speed of the engine.

# OPERATION

## ATTACHMENTS

This unit can use many different attachments. See the attachment page in this book. This unit can pull attachments like a lawn sweeper, a lawn aerator, a hopper spreader or a small trailer. This unit can not use attachments that engage the ground like a plow, a disk harrow, or a cultivator.

For all pull-behind attachments or trailers, the maximum gross weight is 250 pounds. Gross weight is the weight of the attachment or trailer and any load that might be on or in it.

Do not operate on a slope that is greater than 10 degrees when using a pull-behind attachment or trailer. We have included a slope guide in this book to help you determine the slope on which you will be operating your unit. Never allow someone to stand or ride on or in an attachment or trailer.

## HOW TO USE THE THROTTLE CONTROL

Use the **throttle control** to increase or decrease the speed of the engine.

**CAUTION: Always operate the engine with the throttle control in the FAST position. If the engine runs for several minutes at slower than the FAST position, the engine and transmission will overheat and can be damaged.**

1. The FAST position is marked with a detent. For normal operation and when using a grass bagger, move the **throttle control** to the FAST position. For maximum charging of the battery and for a cooler running engine and transmission, operate the engine in the FAST position.

2. For transport and to tow pull behind attachments, control the ground speed with the speed control pedal.
3. The engine governor is set at the factory for maximum performance. Do not adjust the governor to increase the speed of the engine.

## HOW TO USE THE BLADE ROTATION CONTROL

The **blade rotation control** is next to the steering wheel (Figure 7). Use the **blade rotation control** to engage the blade(s) or to operate a snow thrower attachment.

1. Before you start the engine, make sure the **blade rotation control** is in the **DISENGAGE position**.
2. Move the **blade rotation control** to the **ENGAGE position** to rotate the blade(s).  
**Note: If the engine stops when you engage the blade(s), the seat switch is not activated. Make sure you sit in the middle of the seat. Also, make sure the wire is connected to the seat switch.**
3. Move the **blade rotation control** to the **DISENGAGE position** to stop the blade(s). Before you leave the operator's position, make sure the blade(s) has stopped rotating.
4. Before you ride the unit across a sidewalk or a road, move the **blade rotation control** to the **DISENGAGE position**.



**WARNING: Always keep your hands and feet away from the blade, deflector opening, and the mower housing when the engine runs.**

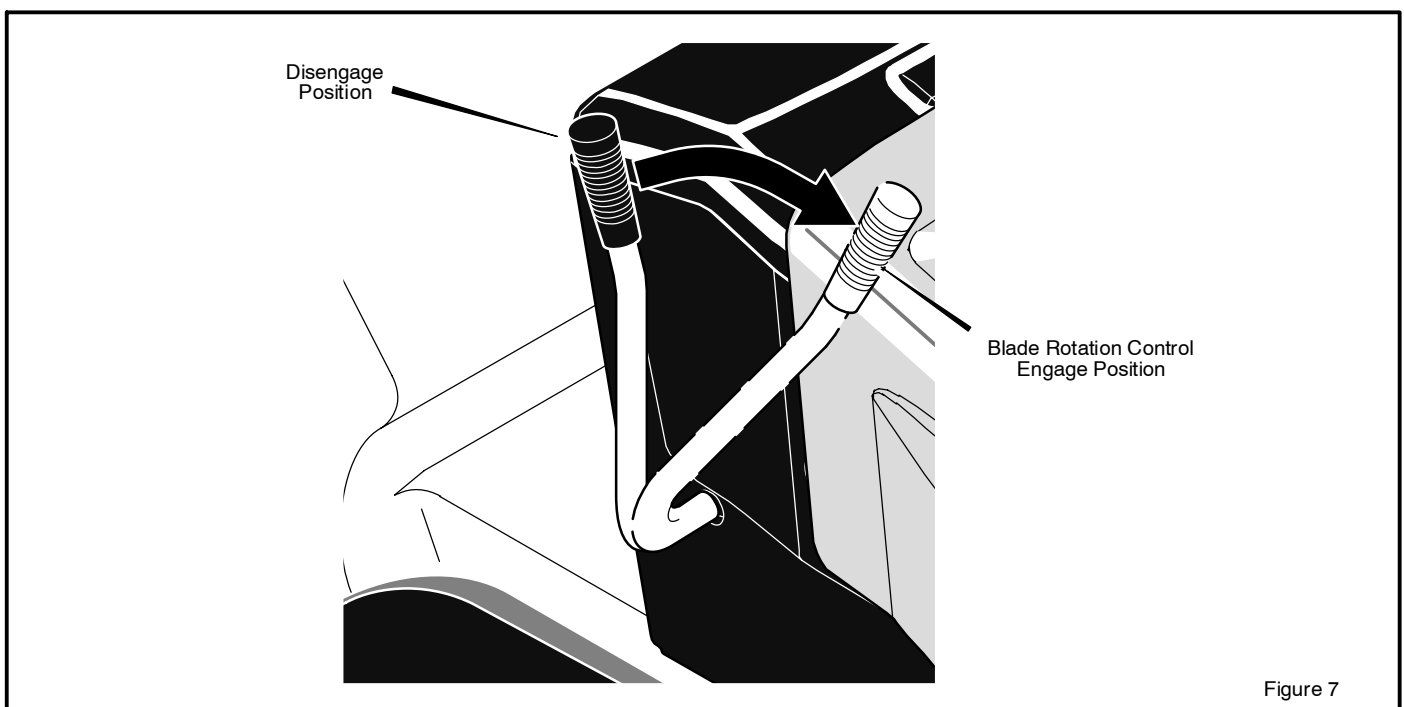


Figure 7



# OPERATION

## HOW TO USE THE SPEED CONTROL PEDAL

The drive system uses a Hydrostatic Automatic Drive transmission. The Hydrostatic transmission is very easy to operate. This type of drive system does not require a shift lever or a clutch pedal.

The speed and direction of travel is controlled by a single **speed control pedal** operated with your right foot. Do not use the left brake pedal in normal operation. Only use the left brake pedal to quickly stop in an emergency.

## HOW TO DRIVE FORWARD

1. The **automatic drive disconnect** must be in the DRIVE position (Figure 9).
2. Slowly release your left foot from the brake pedal.
3. Move the throttle control to the FAST position.
4. Slowly push the **speed control pedal** forward to the desired speed (Figure 8).
5. To increase forward speed, slowly move the **speed control pedal** forward. To reduce forward speed, slowly release the **speed control pedal** until the unit slows to the desired speed.

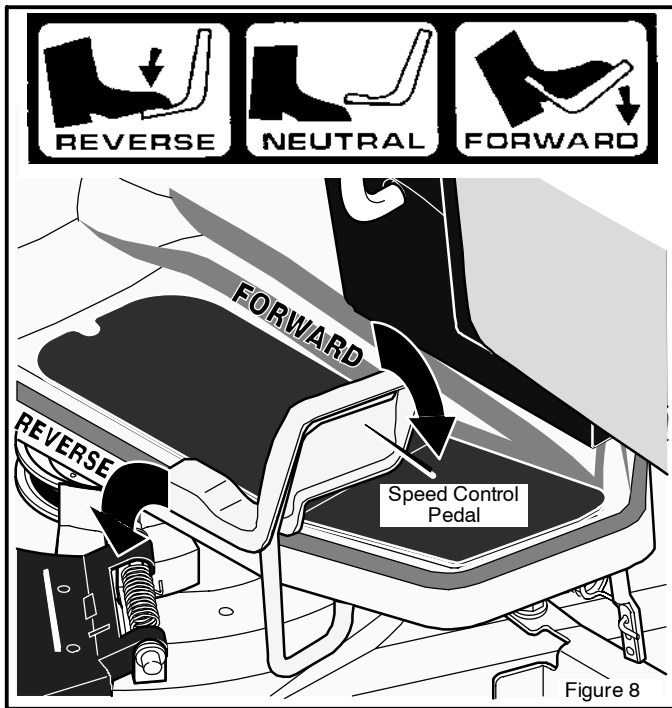


Figure 8

## HOW TO DRIVE IN REVERSE

1. Look to the rear.
2. Slowly push the **speed control pedal** to the REVERSE position.

## HOW TO CHANGE DIRECTIONS

**CAUTION: To change directions, do not use the left brake pedal. Use only the speed control pedal.**

1. Slowly remove your foot from the **speed control pedal**. The **speed control pedal** will automatically return to the NEUTRAL position.
2. When the unit stops, slowly move the **speed control pedal** to the desired direction.

## SPEED CONTROL PEDAL POSITIONS

The forward speed is controlled by the position of the **speed control pedal**. The following chart provides **functions** along with the **pedal positions**. Always operate the engine with the **throttle control** in the **FAST** position.

FUNCTION	PEDAL POSITION	THROTTLE
Trimming Snow Thrower	1/3	
Bagging Grass	1/3 to 1/2	
Normal Mowing	1/2 to 2/3	
Easy Mowing Snow Blade	1/2 to 3/4	
Transport	FULL	
Pull Behind Attachments	1/3 to 1/2	

## HOW TO DISCONNECT THE TRANSMISSION

To push the unit, use the **automatic drive disconnect** to release the transmission. The **automatic drive disconnect** is under the seat.

1. The engine must be off.
2. Raise the seat. The **automatic drive disconnect** is under the seat.
3. Move and latch the **automatic drive disconnect** in the PUSH position (Figure 9). The transmission is now *released* and the unit can be pushed.

**NOTE: In cold weather, the heavy viscosity oil in the transmission will make the unit difficult to push.**

4. To engage the transmission, unlatch the **automatic drive disconnect**. The transmission is now *connected* and ready to operate.

F-050761L

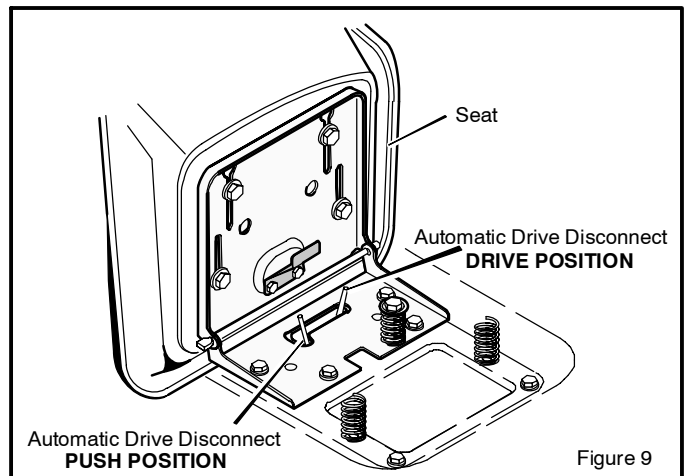


Figure 9

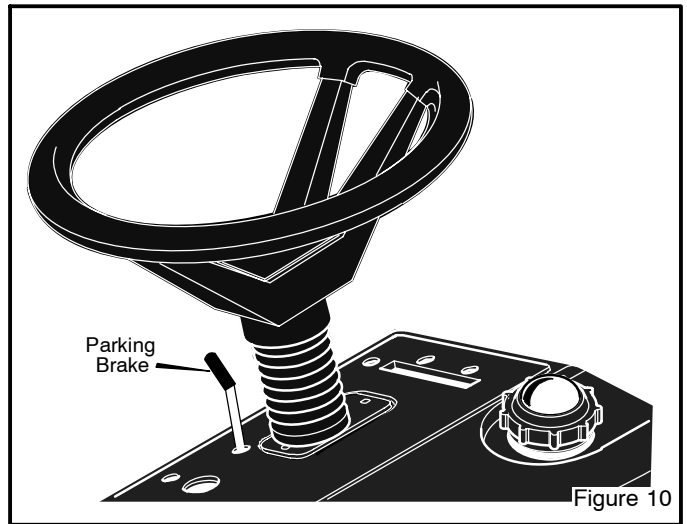
# OPERATION

## HOW TO SET THE PARKING BRAKE

1. Completely push the brake pedal forward.
2. Lift the **parking brake lever** (Figure 10).
3. Remove your foot from the brake pedal and then release the **parking brake lever**. Make sure the parking brake will hold the unit.
4. To release the parking brake, completely push the brake pedal forward. The parking brake will automatically release.



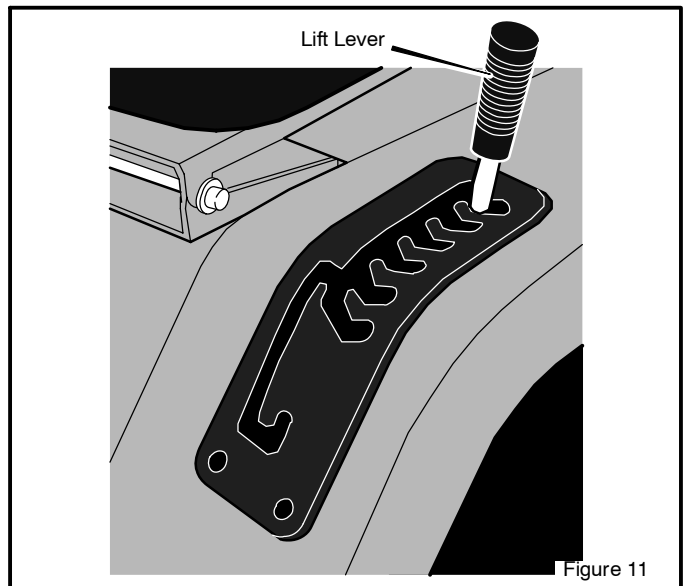
**WARNING:** Before you leave the operator's position, move the shift lever to the neutral (N) position. Set the parking brake. Move the blade rotation control to the DISENGAGE position. Stop the engine and remove the ignition key.



## HOW TO CHANGE THE CUTTING HEIGHT

To change the cutting height, raise or lower the **lift lever** as follows.

1. Move the **lift lever** forward to lower the mower housing and back to raise the mower housing (Figure 11).
2. When you ride on a sidewalk or road, move the **lift lever** to the highest position and move the blade rotation control to the DISENGAGE position.



## HOW TO STOP THE UNIT

1. Slowly remove your foot from the speed control pedal. The speed control pedal will automatically return to the NEUTRAL position and the unit will stop.
2. Move the blade rotation control to the DISENGAGE position.
3. Set the parking brake.



**WARNING:** Make sure the parking brake will hold the unit.

4. Move the throttle control to the SLOW position.
5. To stop the engine, turn the ignition key to the OFF position. Remove the key.

## HOW TO TRANSPORT THE UNIT

To transport the unit, follow the steps below.

1. Move the blade rotation control to the DISENGAGE position
2. Raise the lift lever to the highest position.

3. Move the throttle control to the FAST position.
4. Slowly push the speed control pedal forward to the desired speed.

---

# OPERATION

---

## HOW TO OPERATE WITH THE MOWER HOUSING



**WARNING:** The deflector is a safety device. Do not remove the deflector. The deflector forces the discharged material toward the ground. Always keep the deflector in the down position. If the deflector is damaged, replace the deflector with an original equipment part from an authorized service center.

1. Start the engine.
2. Release the parking brake.
3. Move the lift lever to a height of cut position. In high or thick grass, cut the grass in the highest position first and then lower the mower housing to a lower position.

**CAUTION:** Do not operate with the mower housing in the LEVEL ADJUSTMENT position. If you operate in the LEVEL ADJUSTMENT position, the mower housing and blades can be damaged.

4. Move the throttle control to the SLOW position.
5. Move the blade rotation control to the ENGAGE position.
6. Move the throttle control to the FAST position.
7. Slowly push the speed control pedal to the desired speed.

**NOTE:** When you mow in heavy grass or mow with a grass bagger, use a slow forward speed.

8. Make sure the level of cut set at the factory is still correct. After you mow a short distance, look at the area that was cut. If the mower housing does not cut level, see the instructions on "How To Level The Mower Housing" in the Maintenance section.



**WARNING:** For better control of the unit, always select a safe speed.

---

## HOW TO OPERATE THE UNIT ON HILLS



**WARNING:** Do not ride up or down slopes that are too steep to back straight up. Never ride the unit across a slope. See the "Slope Guide" in the back of this book for information on how to check slopes.

2. Set the parking brake.
3. Before you dismount from the seat, move the throttle control to SLOW position, move the blade rotation control to the DISENGAGED position, turn off the engine and set the parking brake.

### HOW TO OPERATE ON A HILL

1. Control the speed only with the speed control pedal. Do not use the brake pedal on a hill.
2. To help prevent an accident, slowly move the speed control pedal. Avoid sudden turns or changes in speed.
3. To reduce forward speed when going down a hill, slowly release the speed control pedal until the unit slows to the desired speed.

### HOW TO START OPERATION ON A HILL

1. Start the engine
2. Move the blade rotation control to the ENGAGED position.
3. Move the throttle control to the FAST position.
4. Depress the brake pedal and release the parking brake. As you release the parking brake, push the speed control pedal to the desired speed.

### HOW TO STOP ON A HILL

1. Avoid stopping on a hill. If you must quickly stop in an emergency, remove your right foot from the speed control pedal and quickly depress the left brake pedal.



**WARNING:** Slowly push the speed control pedal as you release the parking brake. The parking brake must be disengaged before the speed control pedal is able to engage the transmission.

---

# OPERATION

---

## BEFORE STARTING THE ENGINE

### CHECK THE OIL

**NOTE:** The engine was shipped from the factory filled with oil. Check the level of the oil. Add oil as needed. See the engine manufacturer's instructions for the type of gasoline and oil to use.

1. Make sure the unit is level.

**NOTE:** Do not check the level of the oil while the engine runs.

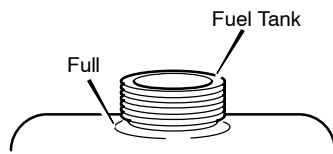
2. Check the oil. Follow the procedure in the engine manufacturer's instructions.
3. If necessary, add oil until the oil reaches the FULL mark on the dipstick. The quantity of oil needed from ADD to FULL is shown on the dipstick. Do not add too much oil.

### ADD GASOLINE



**WARNING:** Always use a safety gasoline container. Do not smoke when adding gasoline to the fuel tank. Do not add gasoline when you are inside an enclosure. Before you add gasoline, stop the engine and let the engine cool for several minutes.

Fill the fuel tank with regular unleaded gasoline. Do not use premium unleaded gasoline. Make sure the gasoline is fresh and clean. Leaded gasoline will increase deposits and shorten the life of the valves.



**CAUTION:** A mixture of alcohol (ethanol or methanol) and gasoline (called gasohol), will attract moisture and cause acid deposits during storage. While the unit is in storage, the acids in the fuel can damage the fuel system.

To prevent engine problems with the fuel system, empty the fuel system before storage of 30 days or longer as follows.

1. Drain the fuel tank.
2. Start the engine. Let the engine run until the fuel lines and the carburetor are empty.
3. After storage, make sure you use fresh fuel. See the storage instructions for additional information.
4. Never use engine cleaner or carburetor cleaner in the fuel tank or permanent damage can occur.

### CARBURETOR

The factory settings for the carburetor are for most conditions. If the engine is operated under the following conditions, you can adjust the carburetor mixture. To adjust the carburetor, see the engine manufacturer's instructions.

1. The engine has a loss of power or does not run smooth.
2. A change from summer to winter operation.
3. A 40 degree change in the operation temperature. The carburetor was adjusted at 80 degrees at the factory.
4. The engine is operated above 4,000 feet.

---

## HOW TO START THE ENGINE



**WARNING:** The electrical system has an operator presence system that includes a sensor switch for the seat. These components tell the electrical system if the operator is sitting on the seat. This system will stop the engine when the operator leaves the seat. For your protection, always make sure this system operates correctly.

**NOTE:** The engine will not start unless you depress the brake pedal or engage the parking brake and move the blade rotation control to the DISENGAGE position.

1. Push the brake pedal completely forward. Keep your foot on the pedal.

2. Make sure the blade rotation control is in the DISENGAGE position.
3. Move the throttle control completely forward to the CHOKE or FAST position. Some models have a separate choke knob. Pull the choke knob to the full CHOKE position.
4. Turn the ignition key to the START position. Release the key when the engine starts.

**NOTE:** If the engine does not start after four or five tries, see the TROUBLE SHOOTING CHART.

5. Slowly move the throttle control to the SLOW position.
6. Let a cold engine run for several minutes. Begin work when the engine is warm. To start a hot engine, move the throttle control to a position between FAST and SLOW.

---

# OPERATION

---

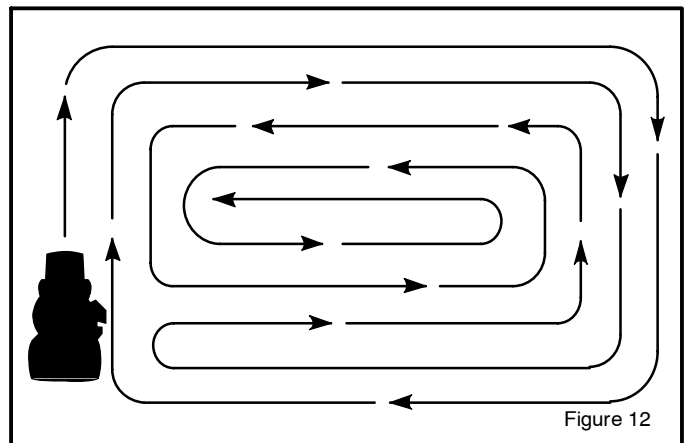
## OPERATING TIPS

1. Check the blade rotation control for correct adjustment. For the blade(s) to disengage correctly, the adjustment must be correct.
2. Before you use the unit, check the oil in the engine and add oil if necessary.
3. If the engine will not start, first make sure the wire is attached to the spark plug.
4. Make sure all the belts are inside all the belt guides. See the instructions on how to remove and install the motion drive and mower drive belts.
5. Before you make an inspection, adjustment (except for the carburetor) or repair, make sure the wire from the spark plug is disconnected.
6. For longer life of the battery on electric start models, charge the battery every three months.
7. Use the speed control pedal to change the ground speed, not the throttle control.
8. Belt noise can occur when the blade is engaged. This noise is normal and does not affect the operation of the unit.

---

## MOWING AND BAGGING TIPS

1. For a lawn to look better, check the cutting level of the mower housing. See "How To Level The Mower Housing" in the Maintenance section.
2. For the mower housing to cut level, make sure the tires have the correct amount of air pressure.
3. Every time you use the unit, check the blade. If the blade is bent or damaged, immediately replace the blade. Also, make sure the nut for the blade is tight.
4. Keep the blade(s) sharpened. Worn blades will cause the ends of the grass to turn brown.
5. Do not cut or bag grass that is wet. Wet grass will not discharge correctly. Let the grass dry before cutting.
6. Use the left side of the mower housing to trim near an object.
7. Discharge the cut grass onto the mowed area. The result is a more even discharge of cut grass.
8. When you mow large areas, start by turning to the right so that the cut grass will discharge away from shrubs, fences, driveways, etc. After one or two rounds, mow in the opposite direction making left turns until finished (Figure 12).
9. If the grass is very high, cut two times to decrease the load on the engine. First cut with the mower housing in the highest position and then lower the mower housing for the second cut.
10. For better engine performance and an even discharge of the cut grass, always operate the engine with the throttle in FAST position.
11. When you use a bagger, operate the engine with the throttle in FAST position and the speed control pedal pushed 1/3 forward.
12. For better cutting performance and a quality cut, mow with the speed control pedal pushed 1/3 to 1/2 forward.
13. After each use, clean the bottom and top of the mower housing for better performance. Also, a clean mower housing will help prevent a fire.



# MAINTENANCE

## MAINTENANCE CHART

FREQUENCY	MAINTENANCE REQUIRED	COMMENTS
Daily or before each use	Maintenance engine.	Refer to the <b>Engine Owner's Manual</b> .
	Examine blade(s).	Check for cracks, wear, and excessive damage.
	Remove debris from unit and mowing area.	
	Examine all rotating and sliding parts.	
	Check tire inflation.	Refer to the <b>Maintenance</b> section.
	Verify that the mower housing is level.	Refer to the <b>Maintenance</b> section.
	Examine V-belts.	Check for cracks, wear, and excessive damage.
	Check brake operation.	Refer to the <b>Operation and Maintenance</b> sections.
After completion of first 5 hours	Change oil.	Refer to the <b>Engine Owner's Manual</b> .
After 25 hours	Maintenance engine.	Refer to the <b>Engine Owner's Manual</b> .
	Remove, examine, sharpen, and balance blade(s).	Refer to <b>Maintenance</b> section.
	Check adjustments: a. Blade Rotation Control b. Brake c. Clutch d. Steering	Refer to <b>Maintenance</b> section.
	Lubricate chassis and mower housing.	Refer to <b>Where to Lubricate</b> instructions.
	Check the muffler: a. Torque b. For wear or burn out c. Condition of spark arrestor, (if applicable).	Refer to <b>Maintenance</b> section.
Before storage of 30 days or more	Prepare engine for storage.	Refer to the <b>Engine Owner's Manual</b> .
	Drain fuel system.	Refer to warnings in the <b>Owner's Manual</b> .
	Add fuel stabilizer.	Refer to the <b>Engine Owner's Manual</b> .
	Prepare battery for storage: a. Remove from unit. b. Fully charge. c. Move to cool dry place.	

## GENERAL RECOMMENDATIONS

- The owner's responsibility is to maintain this product. This will extend the life of the product and is also necessary to maintain warranty coverage.
- Check the spark plug, drive brake, lubricate the unit, and clean the air filter once a year.
- Check the fasteners. Make sure all fasteners are tight.
- Follow the Maintenance section to keep the unit in good operating condition.



**WARNING: Before you make an inspection, adjustment, or repair to the unit, disconnect the wire to the spark plug. Remove the wire from the spark plug to prevent the engine from starting by accident.**

F-050761L

**NOTE: Torque is measured in foot pounds (metric Nm). This measurement describes how tight a nut or bolt must be. The torque is measured with a torque wrench.**

## HOW TO CHECK THE MUFFLER

Check the muffler every 50 hours. Make sure the muffler is correctly mounted and is not loose. If the muffler is worn or burnt, replace with a new muffler. A worn muffler is a fire hazard and can also damage the engine.

If you mount a spark arrestor to the muffler, also check the spark arrestor when you check the muffler. If the spark arrestor is worn or damaged, replace it with a new spark arrestor. See your nearest authorized service center for a spark arrestor.

22

# MAINTENANCE

## INSPECT BLADE

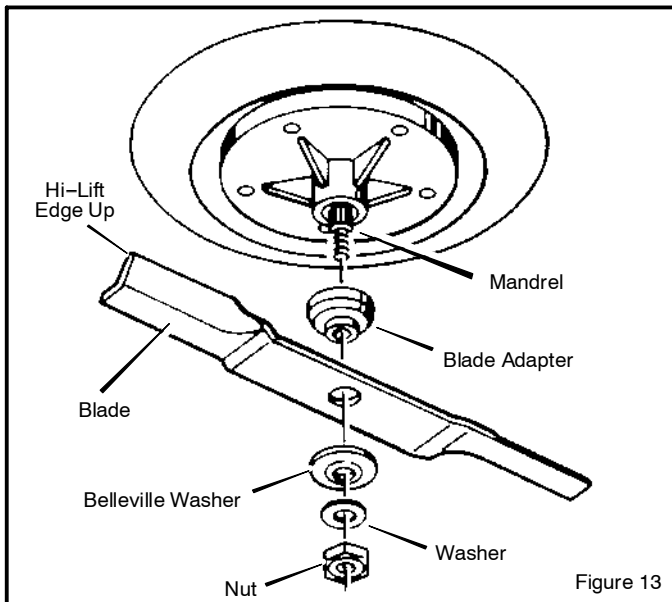


**WARNING:** Before you inspect or remove the blade, disconnect the wire to the spark plug. If the blade hits an object, stop the engine. Check the unit for damage. The blade has sharp edges. When you hold the blade, use gloves or cloth material to protect your hands.

If you keep the blade sharp and inspect the blade for damage, the blade will cut better and be more safe to operate. Frequently check the blade for excessive wear, cracks, or other damage. Frequently check the nut that holds the blade. Keep the nut tight. If the blade hits an object, stop the engine. Disconnect the wire to the spark plug. See if the blade is bent or damaged. Check the blade adapter for damage. Before you operate the unit, replace damaged parts with original equipment parts. See the authorized service center in your area. Every three years, have an authorized service person inspect the blade or replace the old blade with an original equipment part.

## HOW TO REMOVE AND INSTALL THE BLADE

1. Remove the mower housing. See the instructions on "How To Remove The Mower Housing".
2. Use a piece of wood to keep the blade from rotating.
3. Remove the **nut** that holds the blade (Figure 13).

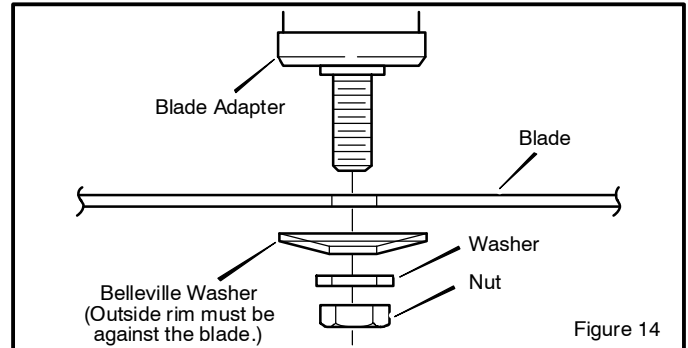


4. Check the **blade** and the **blade adapter** according to the instructions for "Inspect Blade". Replace a badly worn or damaged **blade** with an original equipment blade. See an authorized service center in your area.
5. Clean the top and bottom of the mower housing. Remove all the grass and debris.
6. Mount the **blade** and **blade adapter** on the **mandrel** (Figure 13).
7. Mount the **blade** so that the **hi-lift edges** are up. If the **blade** is upside down, the **blade** will not cut correctly and can cause an accident.
8. Fasten the **blade** with the original washers and **nut**. Make sure the outside rim of the **Belleville washer** is against the **blade** (Figure 14).



**WARNING:** Always keep the nut tight that holds the blade. A loose nut or blade can cause an accident.

9. Tighten the **nut** that holds the **blade** to a torque of 35 foot pounds (47,5 N-m).
10. Install the mower housing. See "How To Install The Mower Housing".



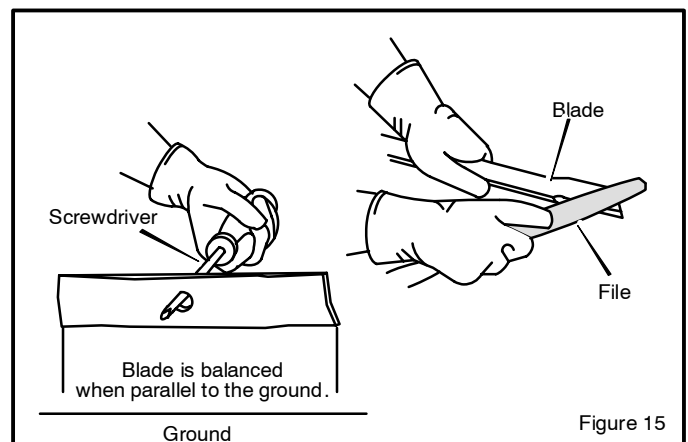
## HOW TO SHARPEN THE BLADE



**WARNING:** Vibration can be caused if the blade is not correctly balanced or if the blade is damaged. A blade that is damaged with cracks can break and cause an accident.

Keep a sharp edge on the **blade**. A **blade** that is not sharp will cause the tips of the grass to become brown.

1. Sharpen the **blade** two times a year or every 25 hours.
2. Remove the **blade** according to the instructions in "How To Remove And Install The Blade".
3. Clean the **blade** with a brush, soap and water. Check the **blade**. Look for cracks, nicks, or other damage. Replace a badly worn or damaged blade with an original equipment blade. See an authorized service center in your area.
4. Sharpen the **blade** with a **file** (Figure 15). Make sure you keep the original bevel angle.
5. Make sure the **blade** is balanced. Use a **screwdriver** and hold the **blade** parallel to the **ground** (Figure 15). A **blade** that is balanced will stay parallel to the **ground**. If the **blade** is not balanced, the heavy end will rotate toward the **ground**. Sharpen the heavy end until the **blade** is balanced.
6. A new blade will cut better than a badly worn blade. Every three years, have an authorized service person inspect the blade or replace the old blade with an original equipment blade.
7. Assemble the **blade** according to the instructions "How To Remove And Install The Blade".



# MAINTENANCE

## HOW TO ADJUST THE BLADE ROTATION CONTROL



**WARNING:** To prevent an injury, the blade rotation control must operate correctly.

In normal usage, the **blade rotation control** will not require an adjustment. However, if the cutting performance decreases or the quality of cut is poor, make the following changes.

1. When you mow, make sure the throttle control is in the FAST position.
2. Move the **blade rotation control** to the **DISENGAGE position** (Figure 16).
3. Stop the engine. Disconnect the wire from the spark plug.

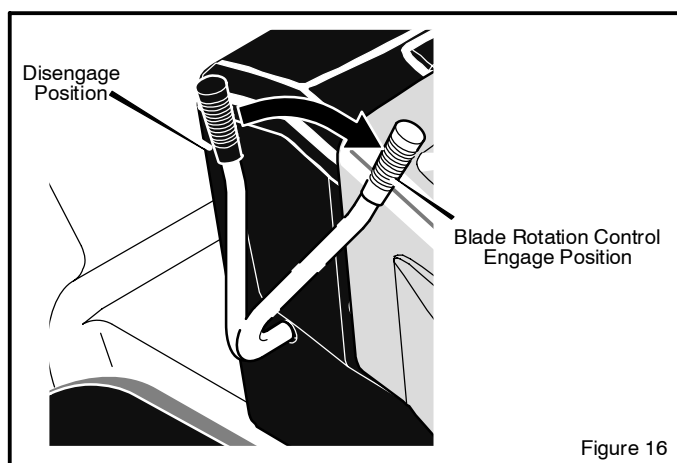


Figure 16

4. Check the blade(s). Keep a sharp edge on the blade(s). A blade that is not sharp will cause the tips of the grass to become brown.
5. Disconnect the **blade drive spring** from the **blade control rod**. Move the **blade drive spring** to the *middle hole* (Figure 17). This will increase the tension on the **mower drive belt**.

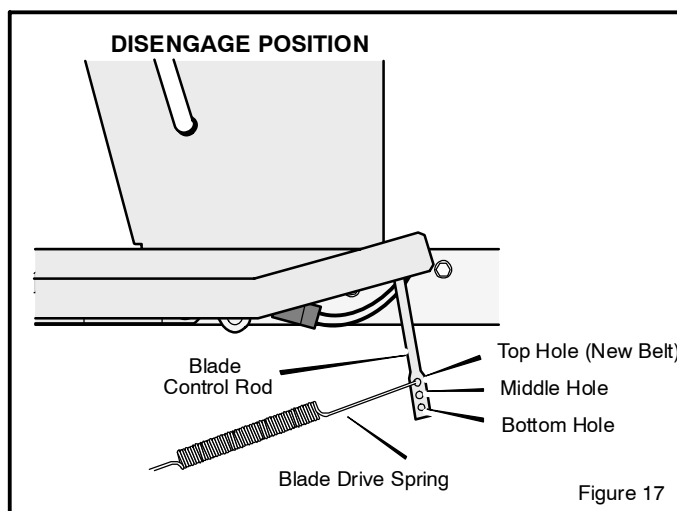


Figure 17

6. Attach the wire to the spark plug. Mow for a short distance and again check the quality of cut. If necessary, move the **blade drive spring** to the *bottom hole*.
7. Again check the quality of cut. If the quality of cut has not improved, replace the **mower drive belt**. See "How To Replace The Mower Drive Belt". If replacing the belt does not correct the problem, take the unit to an authorized service center.
8. Move the **blade rotation control** to the **DISENGAGE position**. Stop the engine. Disconnect the wire from the spark plug. Check the operation of the **blade brake**. Rotate the pulleys with your hand. Make sure the **brake pads** are pressed tightly against the pulleys (Figure 18).



**WARNING:** If the brake pads do not press tightly against the pulleys, take the unit to an authorized service center.

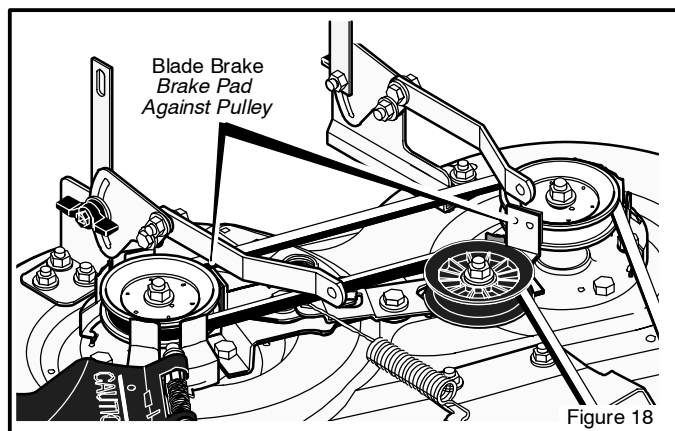


Figure 18

9. Move the **blade rotation control** to the **ENGAGE position**. Check the pads for the **blade brake**. If the pads are excessively worn or damaged, replace the **brake pad** assemblies. Correct replacement parts and assistance are available from an authorized service center.
10. Attach the wire to the spark plug. Mow for a short distance and again check the operation of the **blade rotation control**.
11. When you move the **blade rotation control** to the **DISENGAGE position**, all movement will stop within five seconds. If there is movement of the belt or the blades continue to rotate, engage and disengage the **blade rotation control** five times to remove any excess rubber from a new **mower drive belt**. If you need assistance, take the unit to an authorized service center.
12. If you replace the **mower drive belt**, move the **blade drive spring** to the *top hole* (Figure 17).



# MAINTENANCE

## HOW TO CHECK AND ADJUST THE MOTION DRIVE BELT

If the motion drive belt is loose, the belt will slip when; (1) going up a hill, (2) pulling a heavy load, or (3) the unit will not move forward. Adjust the belt as follows.



**WARNING:** Before you make an inspection, adjustment, or repair to the unit, disconnect the wire to the spark plug. Remove the wire from the spark plug to prevent the engine from starting by accident.

1. Check the routing of the motion drive belt. Make sure the belt is installed correctly and is inside all the belt guides.
2. Disconnect the **clutch link** from the **idler arm** (Figure 19).
3. Align the hole in the **brake lever** with the hole in the frame. Hold the **brake lever** in place with a 1/4 inch (6 mm) pin or bolt (Figure 20).
4. Rotate the **clutch link** until the mounting hole in the **clutch link** is aligned with the hole in the **idler arm** as shown in Figure 19.
5. Connect the **clutch link** to the **idler arm** (Figure 19).
6. Remove the 1/4 inch (6 mm) pin or bolt (Figure 20).

7. If the belt still slips after the belt has been adjusted, then the motion drive belt is worn or damaged and must be replaced. See "How To Replace The Motion Drive Belt".

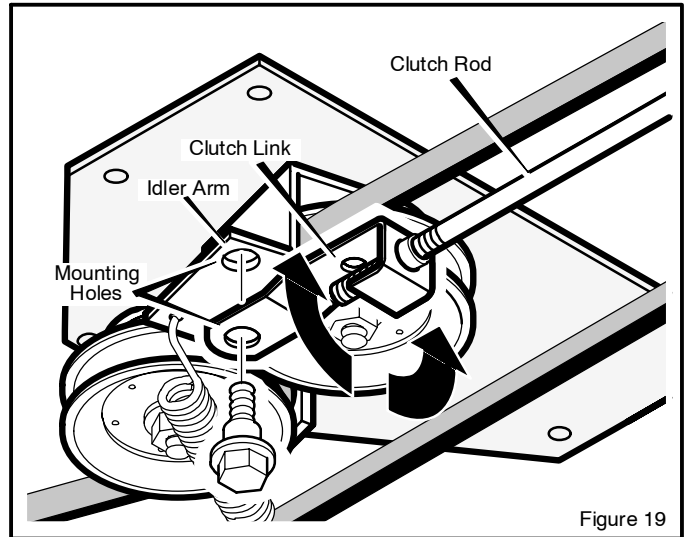


Figure 19

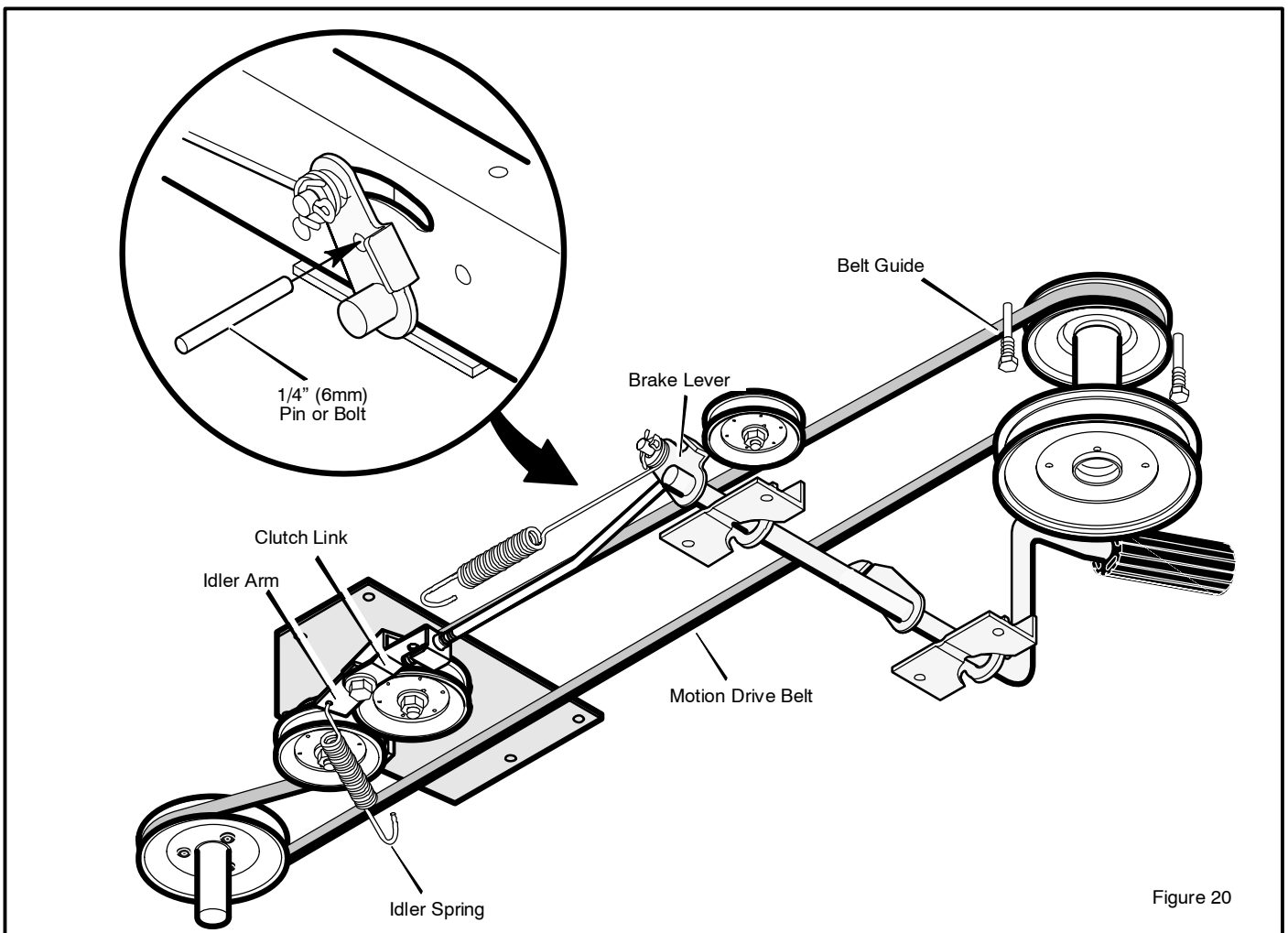


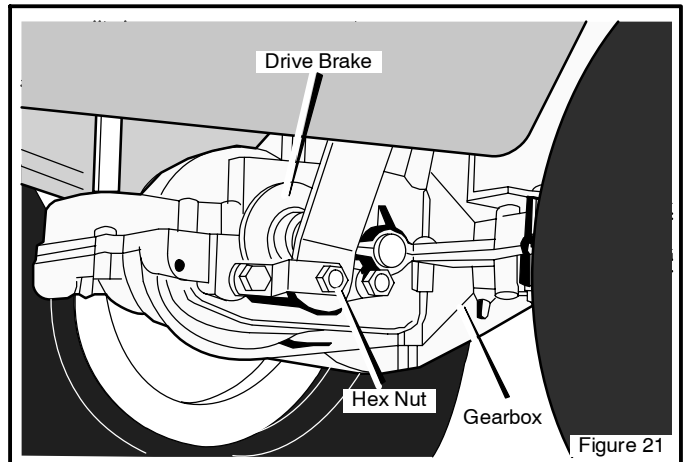
Figure 20

# MAINTENANCE

## HOW TO CHECK AND ADJUST THE DRIVE BRAKE

Completely push the brake pedal forward. Set the parking brake. Move the automatic drive disconnect to the PUSH position. Push the unit. If the rear wheels rotate, adjust or replace the brake pads. Adjust the **drive brake** as follows.

1. The location of the **drive brake** is on the right side of the **gearbox** (Figure 21).
2. Make sure the parking brake is set and the automatic drive disconnect is in the PUSH position. Turn the **hex nut** in a clockwise direction until the rear wheels do not turn when the unit is pushed forward.
3. Release the parking brake and push the unit. If the unit does not roll, turn the **hex nut** in a counterclockwise direction until the unit rolls.
4. Set the parking brake. Push the unit. If the rear wheels do not turn, the **drive brake** is correctly adjusted. Release the parking brake.



**WARNING:** If you cannot correctly adjust the drive brake, replace the brake pads. Correct replacement parts and assistance are available from an authorized service center.

## MAINTENANCE FREE BATTERY

### HOW TO REMOVE THE BATTERY

To charge or clean the **battery**, remove the **battery** from the unit as follows.



**WARNING:** To prevent sparks, disconnect the black battery cable from the negative (-) terminal before you disconnect the red cable.

**WARNING:** The battery contains sulfuric acid which is harmful to the skin, eyes and clothing. If the acid gets on the body or clothing, wash with water.

1. Disconnect the **black cable** from the negative (-) terminal (Figure 22).
2. Disconnect the **red cable** from the **positive (+) terminal**.
3. Lift the **battery tray** and the **battery** out of the unit.

### HOW TO CLEAN THE BATTERY

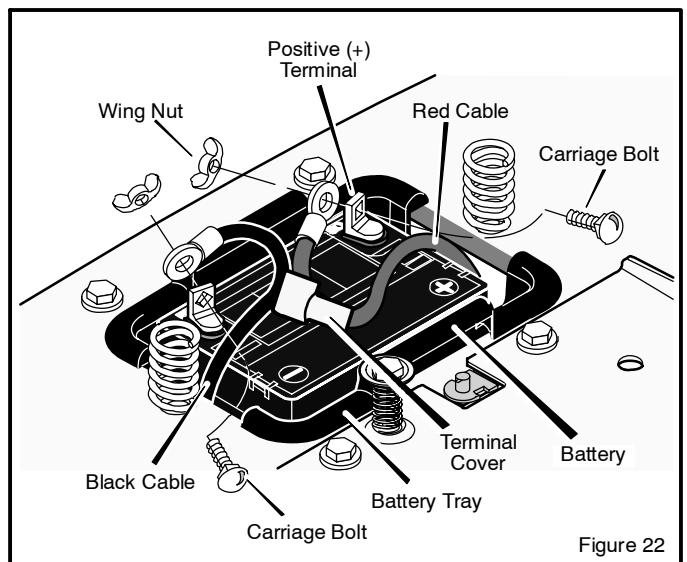
1. Remove the **battery**.
2. Wash the **battery** with a solution of one gallon of water and four tablespoons of baking soda (sodium bicarbonate). Make sure the solution does not get into the battery cells.
3. Clean the **terminals** and the ends of the **cables** with a wire brush.
4. Install the **battery**.
5. To prevent corrosion, apply grease to the **battery terminals**.

### HOW TO CHARGE THE BATTERY



**WARNING:** When you charge the battery, do not smoke. Keep the battery away from any sparks. The fumes from the battery acid can cause an explosion.

1. Before you charge the **battery**, remove the **battery**.
  2. To charge the **battery**, use a 12 volt battery charger. Charge at a rate of 6 amperes for 1 hour.
  3. Install the **battery**.
- WARNING:** To prevent sparks, fasten the red cable to the positive (+) terminal before you connect the black cable.
4. Fasten the **red cable** and **terminal cover** (if equipped) to the **positive (+) terminal** with the fasteners as shown.
  5. Fasten the **black cable** to the negative (-) terminal with the fasteners as shown.



# MAINTENANCE

## WHERE TO LUBRICATE



Models with grease fittings: Lubricate with grease gun.

Apply grease with a brush to the areas shown.

Lubricate the areas shown with engine oil.

**NOTE:** Apply grease to the steering gear assembly.  
**CAUTION:** If the unit is operated in dry areas that have sand, use a dry graphite spray to lubricate the unit.

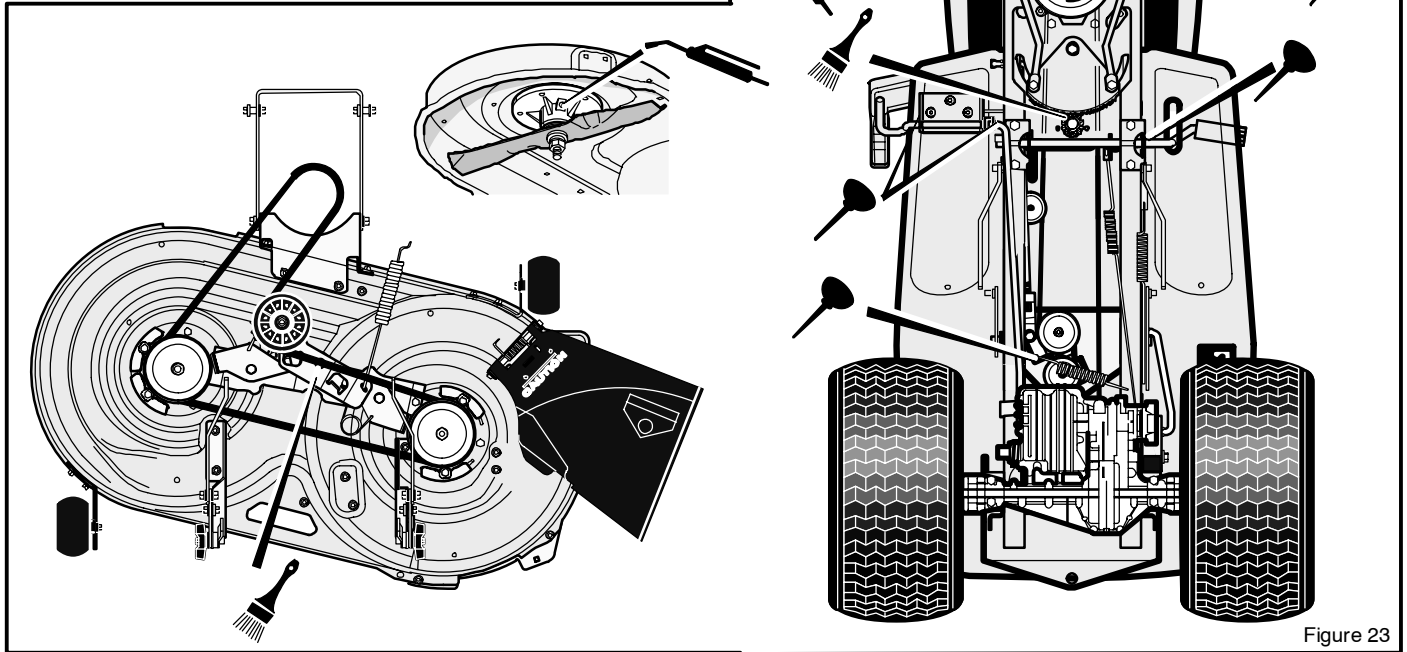


Figure 23

## HOW TO CHECK THE FUEL FILTER

**NOTE:** Before you replace the fuel filter or the fuel line, the fuel tank must be empty.

If the fuel filter is dirty, the engine will run rough and have less performance. Remove the old filter (Figure 24). Replace the old filter with a new filter. Use an original equipment part. See an authorized service dealer in your area.

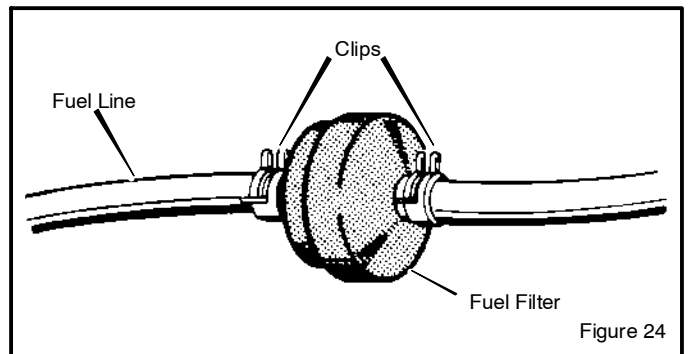


Figure 24

## CHECK THE TIRES

Check the air pressure in the tires. Tires with too much air pressure will cause the unit to ride rough. Also, the wrong air pressure will keep the mower housing from cutting level. The correct air pressure is shown on the side of the tire.

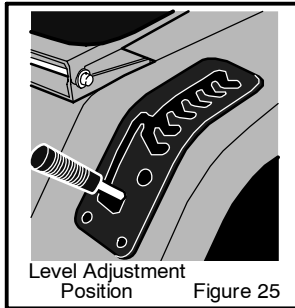
# MAINTENANCE

## HOW TO REMOVE THE MOWER HOUSING

1. Move the **blade rotation control** to the DISENGAGE position.
2. If equipped, remove the gauge wheels.
3. Move the **lift lever** to the level adjustment position (Figure 25).

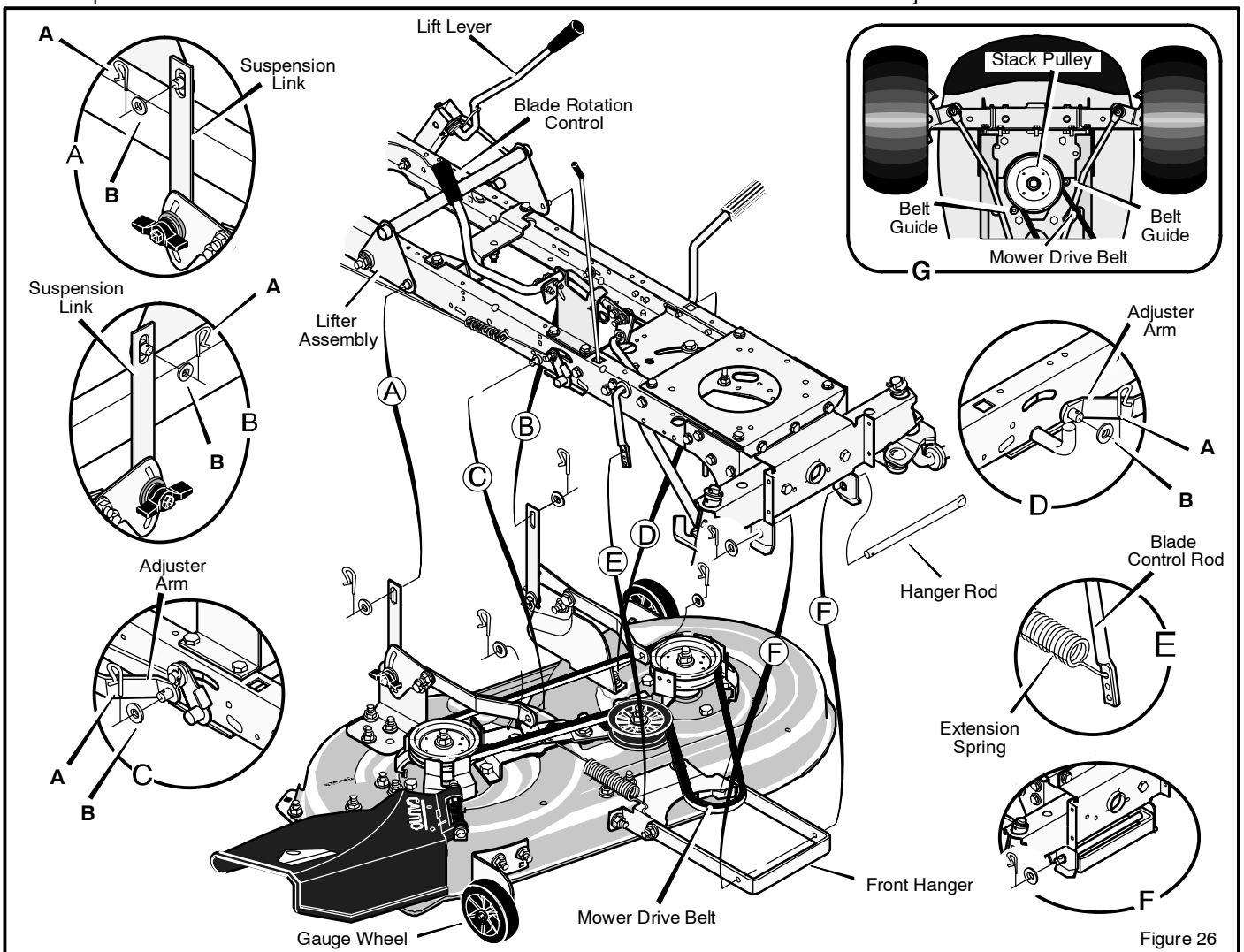
**WARNING:** The lift lever is spring loaded. Make sure the lift lever is locked in the LEVEL ADJUSTMENT position.

4. Remove the hair pins and the washers from the **adjuster arms** (Figure 26). See illustrations "C" and "D".
5. Remove the hair pins and washers from the **suspension links**. See illustrations "A" and "B".
6. Disconnect the **extension spring** from the **blade control rod**. See illustration "E".
7. Disconnect the **front hanger** from the axle support. See illustration "F".
8. Remove the **mower drive belt** from the **stack pulley**.
9. Pull the mower housing away from the right side of the unit.
10. To operate without the mower housing, move the lift lever to the TOP position.



## HOW TO INSTALL THE MOWER HOUSING

1. Push the mower housing under the right side of the unit.
2. Put the **mower drive belt** around the **stack pulley**. Make sure the "V" side of the **mower drive belt** is against the **stack pulley**. Also, make sure the **mower drive belt** is not twisted.
3. Attach the **front hanger** to the axle support with the **hanger rod**. Fasten with the fasteners as shown. See illustration "F".
4. Make sure the **mower drive belt** is between the **stack pulley** and the two **belt guides**. See illustration "G".
5. Attach the **suspension links** to the **lifter assembly**. Fasten with the washers and hair pins. See illustrations "A" and "B".
6. Attach the right and the left **adjuster arms** to the suspension brackets. Fasten with the washers and hair pins. See illustrations "C" and "D".
7. Attach the **extension spring** to the **blade control rod**. See illustration "E".
8. Move the **blade rotation control** to the ENGAGE position. Make sure the **mower drive belt** is inside all the **belt guides**.
9. Make sure the mower housing is level. See the instructions on "How To Level The Mower Housing".
10. If equipped, install the gauge wheels.
11. Check the operation of the **blade rotation control**. See the instructions on "How To Adjust The Blade Rotation Control".



F-050761L

28

# MAINTENANCE

## HOW TO ADJUST THE GAUGE WHEELS

The axle bolts for the gauge wheels were mounted in the LOW cut position. To change the position of the gauge wheels, move the axle bolts as follows.

**IMPORTANT:** Before you adjust the gauge wheels, you must do the following. Make sure the mower housing is level. Make sure the height of cut is set at the height you want for your lawn. Mow a short distance on a flat level area and look at the area that was cut. If the mower housing does not cut level, see the instructions "How To Level The Mower Housing."



**WARNING:** Before you make an inspection, adjustment, or repair to the unit, disconnect the wire to the spark plug. Remove the spark plug wire to prevent the engine from starting by accident.

1. Remove the **gauge wheels** (Figure 27).
2. Mow a short distance on a flat level area to check the level of cut and the height of cut. Look at the **height of cut position number** on the **lift lever** (Figure 28).
3. Look at each **gauge wheel bracket**. There are 3 holes in each bracket and a number next to each hole. The number for the height of cut position on the **lift lever** indicates the correct hole to use on each **gauge wheel bracket** (Figure 29).
4. Assemble the axle bolts to the **gauge wheel brackets** using the correct hole in the bracket as indicated (Figure 29).

**NOTE:** If the height of cut position is changed by the lift lever, you must move the gauge wheels to the correct hole (Figure 29) to keep a level height of cut.

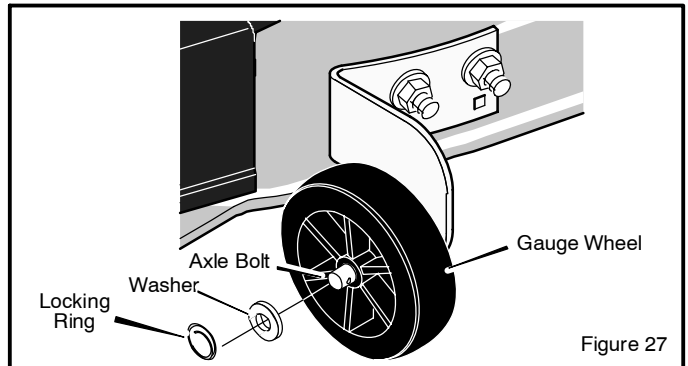


Figure 27

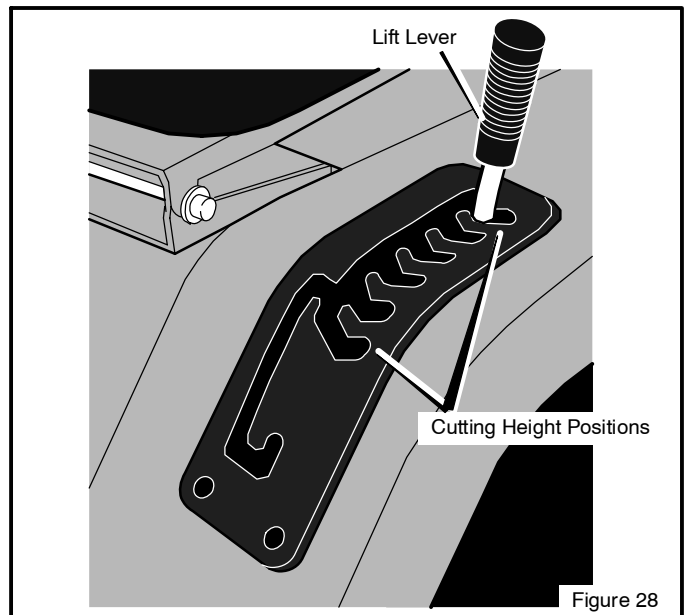


Figure 28

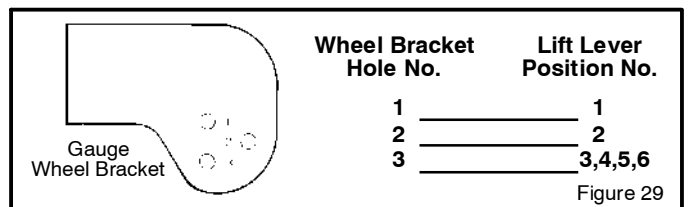


Figure 29

# MAINTENANCE

## HOW TO LEVEL THE MOWER HOUSING

If the mower housing is level, the blade will cut easier and the lawn will look better.



**WARNING:** Before you make an inspection, adjustment, or repair to the unit, disconnect the wire to the spark plug. Remove the spark plug wire to prevent the engine from starting by accident.

1. Make sure the unit is on a hard flat surface.
2. Check the air pressure in the tires. If the air pressure is incorrect, the mower housing will not cut level. Make sure the tires are inflated to 14 PSI. (1 BAR).

**IMPORTANT:** On models equipped with gauge wheels, the gauge wheels must be removed to correctly adjust the level of the mower housing.

3. Some models have gauge wheels on the mower housing. If equipped, remove the gauge wheels.
4. Move the **lift lever** to the LEVEL ADJUSTMENT position (Figure 30).

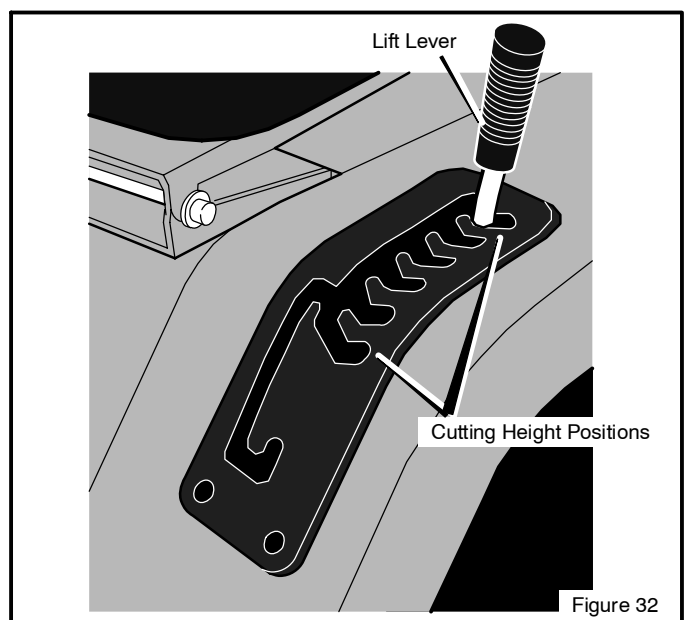
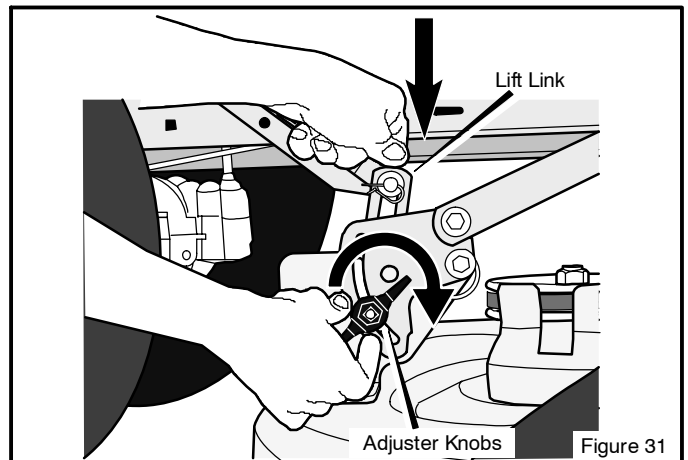
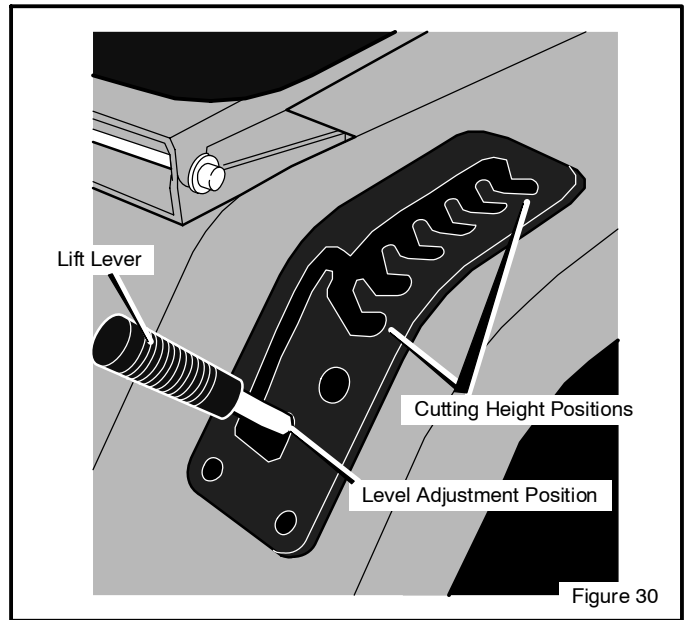


**WARNING:** The lift lever is spring loaded. Make sure the lift lever is locked in the LEVEL ADJUSTMENT position.

5. Loosen the left and right **adjuster knobs** (Figure 31). Push down on each side of the mower housing. Make sure both sides of the mower housing are setting on a flat surface. Also, make sure the lift links are loose and can easily move up or down.
6. Push down on the **lift links** and tighten the left and right **adjuster knobs** (Figure 31). Make sure the **adjuster knobs** are tight. If necessary, use a wrench to tighten the **adjuster knobs**. For plastic **adjuster knobs**, tighten to a torque of 7 foot pounds (9,5 N-m). For metal **adjuster knobs**, tighten to a torque of 10 foot pounds (13,5 N-m).
7. Raise the **lift lever** from the LEVEL ADJUSTMENT position to a CUTTING HEIGHT position (Figure 32).
8. If equipped, install the gauge wheels.
9. Mow for a short distance. If the height of cut is not level, repeat the above steps.

**CAUTION:** Do not operate with the mower housing in the LEVEL ADJUSTMENT position. If you operate in the LEVEL ADJUSTMENT position, the mower housing and blades can be damaged.

F-050761L



# MAINTENANCE

## HOW TO REPLACE THE MOTION DRIVE BELT

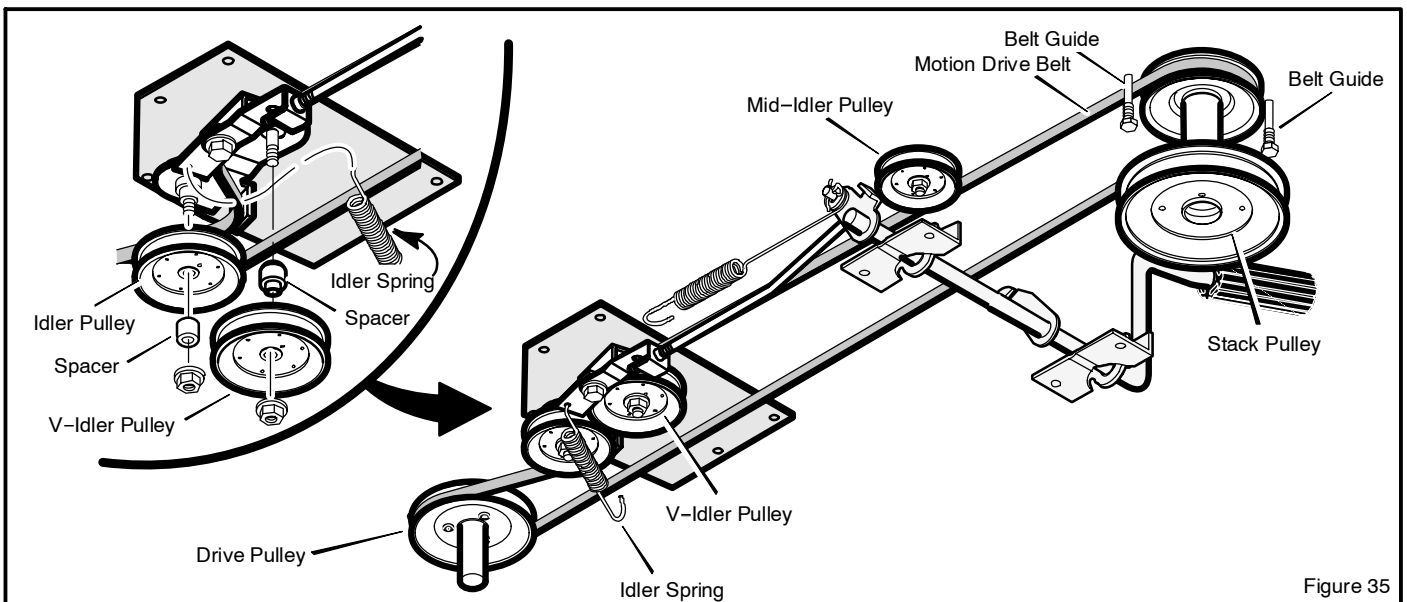
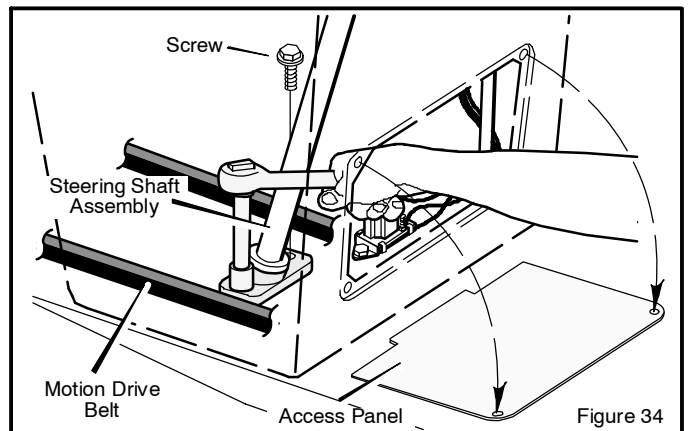
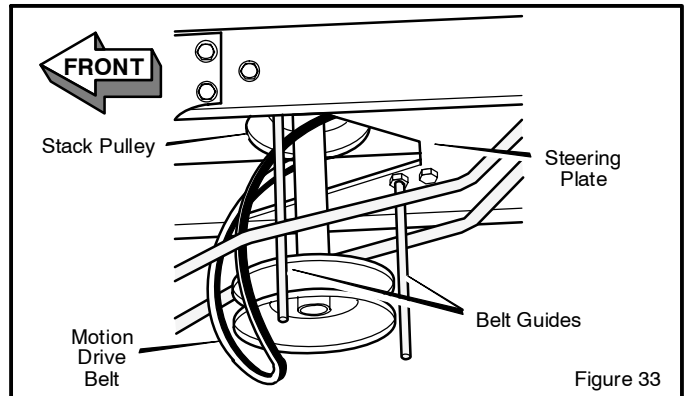
### REMOVAL

1. Remove the mower housing. See the instructions on "How To Remove The Mower Housing".
2. Remove the **mid-idler pulley**.
3. Disconnect the **idler spring** (Figure 35).
4. Remove the **idler pulley** and **spacer** (Figure 35).
5. Remove the **V-idler pulley** and **spacer**.
6. Remove the **motion drive belt** from the **drive pulley** (Figure 35).
7. To remove the **motion drive belt** from the **stack pulley**, pull the front end of the belt under the **stack pulley** and then back between the stack pulley and the **steering plate** (Figure 33).
8. Remove the **access panel** (Figure 34).
9. Remove the two **screws** that attach the **steering shaft assembly** (Figure 34). Raise the steering wheel and **steering shaft assembly**. Pull the **motion drive belt** under the **steering shaft assembly**.
10. Remove the **motion drive belt**. A correct replacement part or assistance is available from an Authorized Service Center in your area.

### INSTALLATION

1. Slide the **motion drive belt** between the **stack pulley** and the **belt guides** (Figure 33). Install the **motion drive belt** on the top pulley of the **stack pulley**. Make sure the "V" side of the belt is against the pulley.
2. Push the **motion drive belt** through the opening between the **steering plate** and the engine plate.
3. Install the end of the **motion drive belt** around the **drive pulley** (Figure 35).
4. Put the **motion drive belt** around the **V-idler pulley**. Install the **motion drive belt**, **V-idler pulley** and **spacer**.
5. Put the belt around the **idler pulley**. Fasten the **idler pulley** and **spacer** with the hex nut. Make sure the flat side of the belt is against the **idler pulley**. Also, make sure the belt is not twisted.
6. Connect the **idler spring** (Figure 35).
7. Install the **mid-idler pulley**.

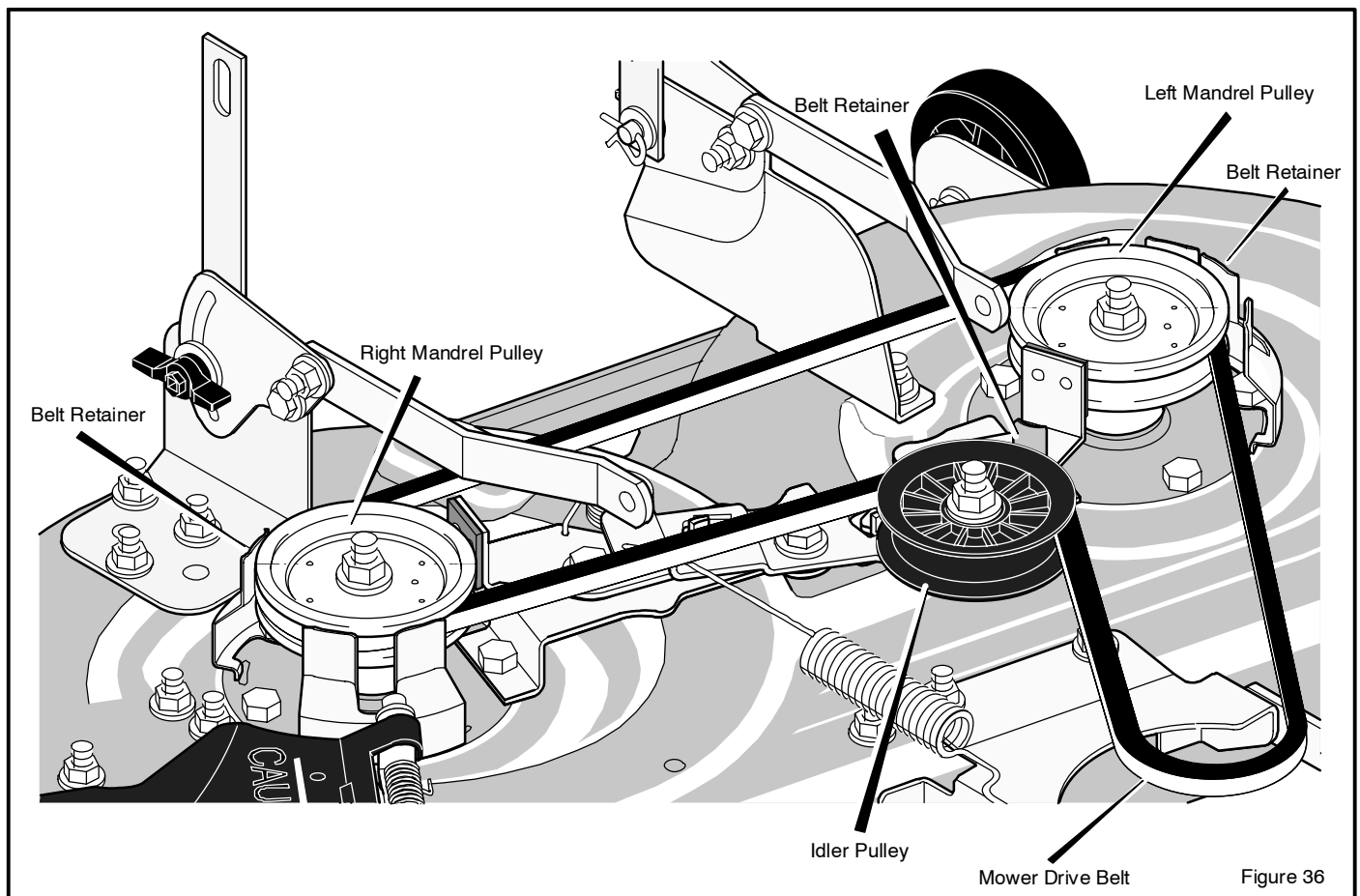
8. Check the routing of the motion drive belt (Figure 35). Make sure the **motion drive belt** is installed correctly on the **idler pulleys** and inside all **belt guides**.
9. Attach the **steering shaft assembly** to the steering plate with two screws (Figure 34).
10. Attach the **access panel** (Figure 34).
11. Before you use the unit, check the adjustment of the clutch. See the instructions "How To Check And Adjust The Clutch".
12. Install the mower housing. See the instructions "How To Install The Mower Housing".



# MAINTENANCE

## HOW TO REPLACE THE MOWER DRIVE BELT

1. Remove the mower housing. See the instructions on "How To Remove The Mower Housing".
  2. Pull the **belt retainer** away from the **idler pulley** and remove the **mower drive belt** (Figure 36).
  3. Pull the **belt retainer** away from the **right mandrel pulley** and remove the **mower drive belt**.
  4. Pull the **belt retainer** away from the **left mandrel pulley** and remove the **mower drive belt**.
- NOTE: Replace the mower drive belt with an original equipment belt from an authorized service center.**
5. Install the new **mower drive belt**. Pull the **belt retainer** away from the **right mandrel pulley**. Put the belt around the **right mandrel pulley**.
  6. Pull the **belt retainer** away from the **left mandrel pulley**. Put the belt around the **left mandrel pulley**.
  7. Pull the **belt retainer** away from the **idler pulley**. Put the flat side of the **mower drive belt** around the **idler pulley**.
  8. Make sure the "V" side of the **mower drive belt** is against the mandrel pulleys as shown.
  9. Install the mower housing. See the instructions on "How To Install The Mower Housing".
  10. Before you mow, check the blade rotation control. See the instructions on "How To Adjust The Blade Rotation Control".





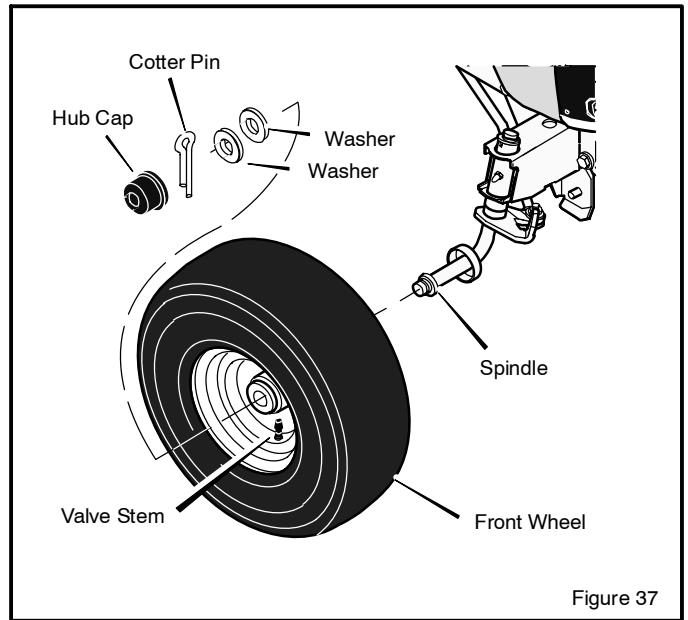
# MAINTENANCE

## HOW TO INSTALL THE WHEELS

If the wheels must be removed for service, make sure they are installed as follows.

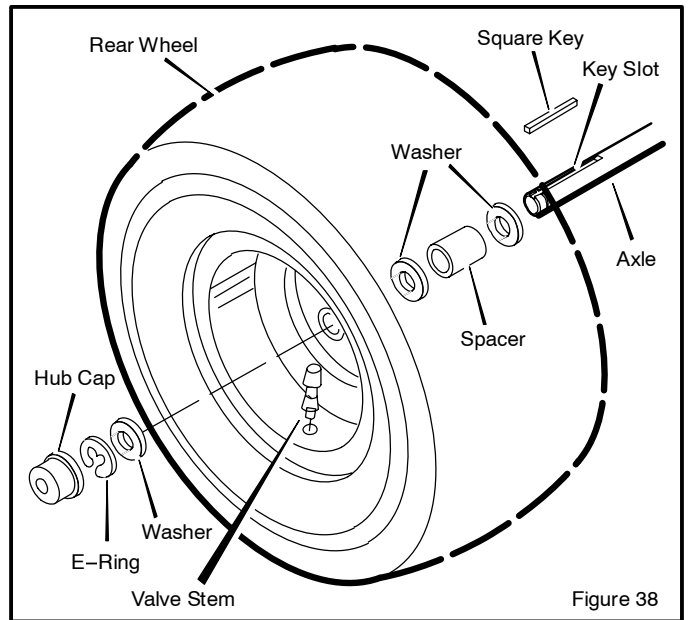
### Front Wheel

1. Make sure the **valve stem** is to the outside of the tractor. Slide the **front wheel** on the **spindle** (See Figure 37).
2. Fasten the **front wheel** with **washer** and **cotter pin**. Bend the ends of the **cotter pin** apart to keep the **front wheel** on the **spindle**.
3. If your model has **hub caps**, install the **hub caps**. Make sure the **washer** hold the **hub caps** in place.



### Rear Wheel

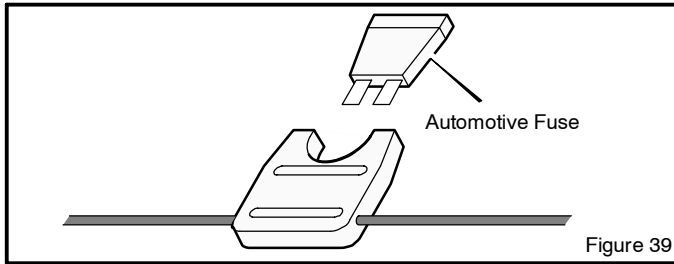
1. Install the **washers** and **spacer** onto the **axle** as shown in Figure 38.
2. Mount the **square key** in the **key slot** (See Figure 38).
3. Make sure the **valve stem** is to the outside of the tractor. Align the slot in the **rear wheel** with the **square key**. Slide the **rear wheel** on the **axle**.
4. Fasten the **rear wheel** with **washer** and **e-ring**.
5. If your model has **hub caps**, install the **hub caps**. Make sure the **washer** hold the **hub caps** in place.



# MAINTENANCE

## HOW TO REPLACE THE FUSE

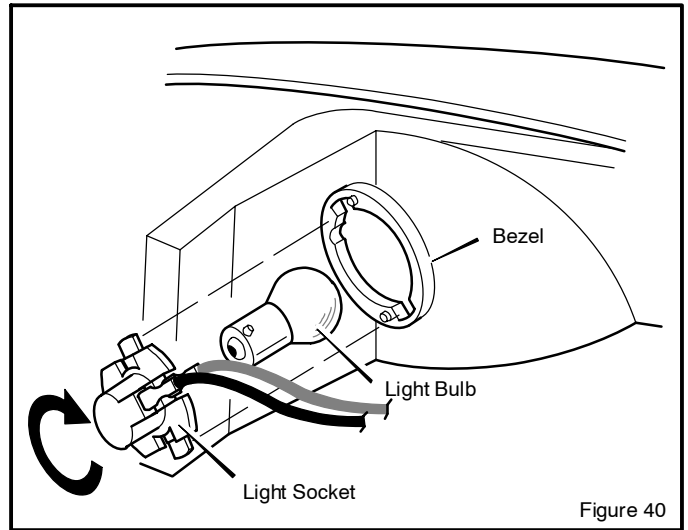
If the fuse is blown, the engine will not start. The location of the fuse is next to the battery. Remove the fuse and replace with a automotive fuse (Figure 39).



## HOW TO REPLACE THE LIGHT BULB

1. Raise the tractor hood.
2. Turn the **light socket** until the tabs on the socket align with the notches in the **bezel** (Figure 40). Remove the **light socket**. Turn the **light bulb** and remove the bulb.

3. Install a new **light bulb**. Align the **light socket** with the notches in the **bezel** and turn the **light socket** to lock in position.



## HOW TO CLEAN THE MOWER HOUSING



**WARNING:** Before you clean the mower housing, stop the engine and disconnect the wire to the spark plug.

Grass and other debris on top of the mower housing can keep the belt from working correctly. For safety and correct operation, frequently clean the top of the mower housing. Remove grass and debris from around the pulleys and other moving parts.

1. Move the lever for the blade rotation control to the ENGAGE position.
2. Clean the top of the mower housing.
3. Move the lever for the blade rotation control to the DISENGAGE position.
4. Again clean the top of the mower housing.
5. After you cut the grass, clean the bottom of the mower housing.

## STORAGE (over 30 days)

At the end of each year, prepare the unit for storage as follows.

### THE ENGINE

For storage information, see the the engine manufacturer's instructions.

### THE BATTERY

1. Remove the battery.
2. Clean the battery terminals of any deposits.
3. Charge the battery. See the instructions on "How To Prepare And Charge The Battery".
4. Store the battery in a cool, dry place.

**NOTE:** After a long time in storage, charge the battery.

## THE FUEL SYSTEM



**WARNING:** Do not drain the gasoline inside a building or near a fire. Do not smoke because the fumes from the fuel can cause an explosion.

1. Start the engine.
2. Run the engine until the fuel tank and the carburetor are out of fuel and the engine stops.
3. After storage, make sure you use fresh fuel.

## CLEAN THE UNIT

1. Clean the dirt and grass from the engine.
2. Clean the mower housing.

## LUBRICATE THE UNIT

See the "Lubrication" instructions in this book.

---

# TROUBLE SHOOTING CHART

---

**PROBLEM: The engine will not start.**

1. Follow the steps, "How To Start The Engine" in this book.
2. Electric-Start Models: Clean the battery terminals. Tighten the cables.
3. Drain the fuel tank. Clean the fuel line. Replace the fuel filter.
4. Remove the spark plug(s). Move the throttle to the SLOW position. Turn the ignition key to the ON position. Try to start the engine several times. Install the spark plug.
5. Replace the spark plug.
6. Adjust the carburetor.

**PROBLEM: The engine will not turn over.**

1. Follow the steps, "How To Start The Engine" in this book.
2. Electric-Start Models: Check the level of the acid in the battery. If needed, add water. Charge the battery.
3. Replace the fuse.
4. Check the wiring harness for damage or a loose connection. Repair the damaged wire.
5. Electric-Start Models: replace the solenoid. Recoil-Start Models: replace the module.

**PROBLEM: The engine is difficult to start.**

1. Adjust the carburetor.
2. Replace the spark plug.
3. Replace the fuel filter.

**PROBLEM: The engine does not run smooth or has a loss of power.**

1. Check the oil.
2. Clean the air filter.
3. Clean the air screen.
4. Replace the spark plug.
5. The engine is working too hard. Use a lower gear.
6. Adjust the carburetor.
7. Replace the fuel filter.

**PROBLEM: The engine does not run smooth at fast speed.**

1. Replace the spark plug.
2. Adjust the throttle control.
3. Clean the air filter.
4. Replace the fuel filter.

**PROBLEM: The engine stops when the blades are engaged.**

1. To activate the seat sensor, always sit in the middle of the seat.
2. Check the wiring harness for damage or a loose connection. Repair the damaged wire.

**PROBLEM: On slopes, the engine stops.**

1. Mow up and down slopes. Never mow across a slope.
2. To activate the seat sensor, always sit in the middle of the seat.

**PROBLEM: The engine will not idle.**

1. Replace the spark plug.
2. Clean the air filter.
3. Adjust the carburetor.

4. Adjust the throttle control.
5. Drain the fuel tank. Clean the fuel line. Replace the fuel filter.

**PROBLEM: A hot engine causes a decrease in power.**

1. Clean the air screen.
2. Check the oil.
3. Adjust the carburetor.
4. Replace the fuel filter.

**PROBLEM: Excessive vibration.**

1. Replace the blade.
2. Check for loose engine bolts.
3. Decrease the air pressure in the tires.
4. Adjust the carburetor.
5. Check for a damaged belt or damaged pulley. Replace the damaged parts.

**PROBLEM: The grass does not discharge correctly.**

1. Stop the engine. Clean the mower housing.
2. Raise the height of cut.
3. Replace or sharpen the blade(s).
4. Move the shift lever to a slower speed.
5. Move the throttle control to the FAST position.
6. Replace the spring for the blade idler.

**PROBLEM: The mower housing does not cut level.**

1. Check the air pressure in the tires.
2. Adjust the level of the mower housing.
3. Check the front axle. If the front axle does not freely pivot, loosen the axle bolt(s).

**PROBLEM: The mower blades will not rotate.**

1. Check the mower drive belt. Make sure the belt is installed correctly.
2. Replace the mower drive belt.

**PROBLEM: The unit will not move when the brake is released and the speed control pedal is depressed.**

1. Check the motion drive belt. Make sure the belt is installed correctly.
2. Adjust the clutch.
3. Replace the motion drive belt.
4. Release the Automatic Drive Disconnect under the seat.

**PROBLEM: The unit moves slower or stops when the speed control pedal is depressed.**

1. Adjust the clutch.
2. Replace the motion drive belt.

**PROBLEM: When the brake pedal is released, belt noise can be heard.**

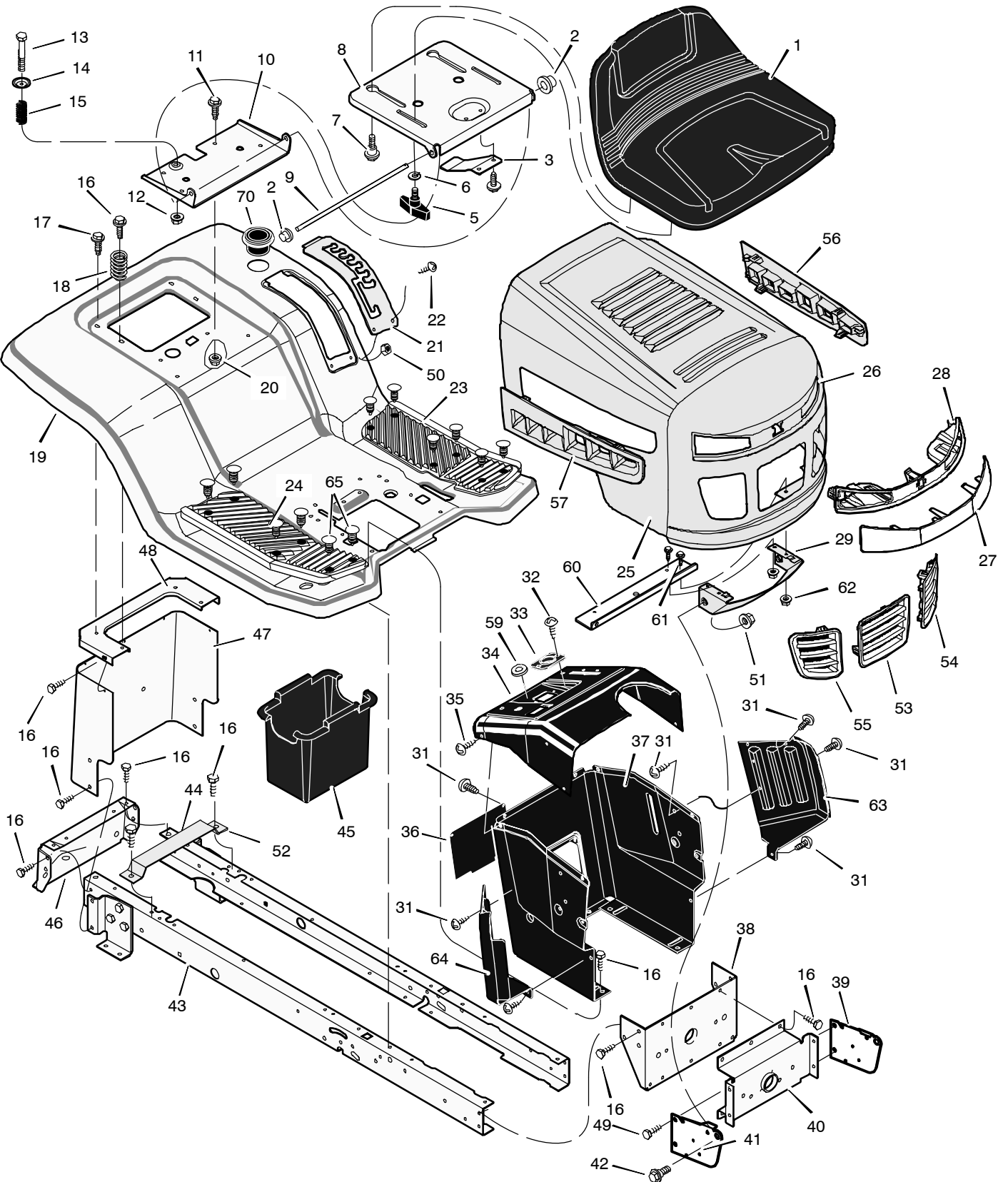
1. Temporary belt noise does not change the operation of the unit. If belt noise is continuous, check the routing of the belt. Make sure the belt is inside all belt guides.
2. If the noise is continuous, adjust the clutch.

**PROBLEM: The rear wheels spin over uneven terrain.**

1. Check the front axle. If the front axle does not freely pivot, loosen the axle bolt(s).

# MODEL 425621x108A

# REPAIR PARTS CHASSIS & HOOD



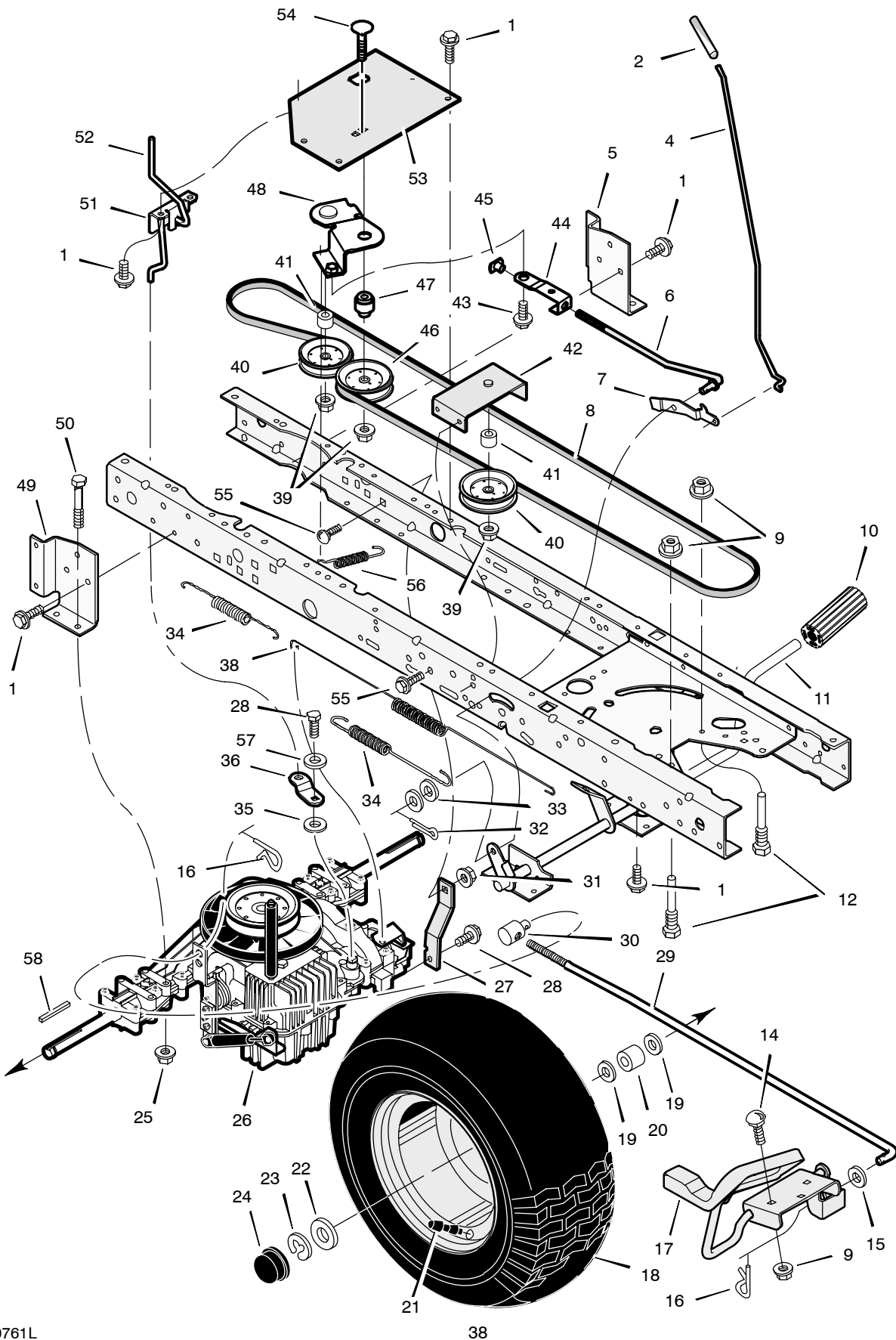
# MODEL 425621x108A

# REPAIR PARTS CHASSIS & HOOD

Key No.	Part No.	Description	Key No.	Part No.	Description
1	1001854	Seat	35	26x201	Screw
2	028x23	Cap, Push On	36	093007E700	Panel, Access
3	094057	Spring	37	095318E700	Support, Dash
4	26x229	Screw	38	1001270E701	Bracket, Rear Hanger
5	1001054	Bolt, Wing	39	094085E700	Support, Left Grille
6	017x47	Washer	40	094007E701	Axle, Hanger
7	009x56	Bolt, Shoulder	41	094084E700	Support, Right Grille
8	094154E701	Support, Seat	42	009x58	Bolt, Shoulder
9	094156 Z	Rod, Pivot	43	1001928E701	Frame, Right
10	1001648E700	Bracket, Pivot	44	1001927E701	Frame, Left
11	001x45	Bolt	45	690424	Container, Battery
12	015x89	Nut	46	1001002E701	Plate, Hitch
13	009x55	Bolt, Shoulder	47	1001906E700	Plate, Rear
14	094155 Z	Washer	48	094186E700	Top, Rear Plate
15	164x31	Spring	49	26x277	Screw
16	26x249	Screw	50	015x81	Nut
17	26x263	Screw	51	15x124	Nut
18	164x30	Spring	52	690482E701	Support, Battery
19	1001556E285	Deck, Seat	53	1001816	Insert, Center Grille
20	15x123	Nut	54	1001817	Insert, Left Grille
21	094886E701	Plate, Lift Index	55	1001818	Insert, Right Grille
22	009x47	Screw	56	1001814	Insert, Left Hood
23	095408	Mat, Left	57	1001815	Insert, Right Hood
24	095409	Mat, Right	59	1001755	Grommet, Parking Brake
25	1001812E285	Hood	60	1001921	Bracket, Support
26	1001813E285	Grille	61	0025x3	Screw
27	1001820	Lens	62	015x82	Nut
28	1001819	Housing, Light	63	095218	Panel, Left Side
29	1001799	Bracket, Lower Pivot	64	095217	Panel, Right Side
31	26x270	Screw	65	0193x1	Fastener, Panel
32	26x238	Screw	70	1001542	Holder, Cup
33	1001491	Bearing, Steering	--	F-050761L	Instruction Book & Parts List
34	1001594E700	Dash			

# MODEL 425621x108A

# REPAIR PARTS DRIVE ASSEMBLY



F-050761L

38

# MODEL 425621x108A

# REPAIR PARTS DRIVE ASSEMBLY

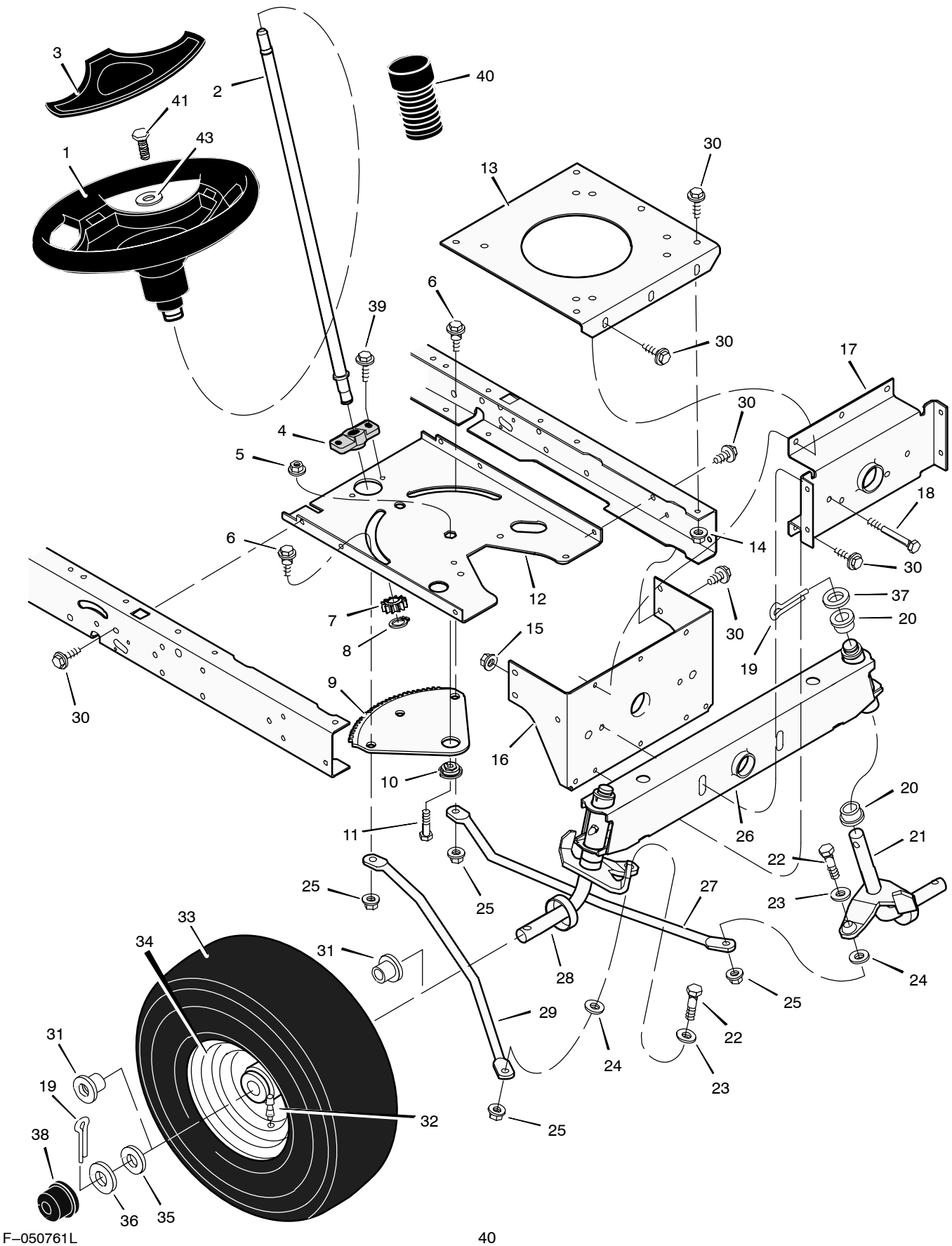
Key No.	Part No.	Description	Key No.	Part No.	Description
1	26x249	Screw	30	092132 Z	Nut, Adjusting
2	091079	Grip, Parking Brake	31	015x84	Nut, Centerlock
4	1001245 Z	Rod, Parking Brake	32	030x20	Pin, Cotter
5	094185E701	Bracket, Left Transaxle	33	017x48	Washer
6	1001013 Z	Rod, Clutch	34	165x92	Spring, Extension
7	094045 Z	Latch, Parking Brake	35	17x148	Washer
8	37x106	V-Belt, Drive	36	1001086 Z	Arm, Disconnect
9	015x79	Nut, Flange	37	06x105	Capscrew
10	021544	Pedal, Brake/Clutch	38	165x150	Spring, Brake
11	1001011E701	Assembly, Brake Pedal	39	015x98	Locknut, Flange
12	094384	Screw, Guide	40	690409	Pulley, Idler
14	002x53	Bolt, Carriage	41	690369	Spacer
15	017x57	Washer	42	1001097E701	Bracket, Idler Assembly
16	0031x4	Pin, Hair	43	009x49	Bolt, Shoulder
17	1001985E701	Pedal Assembly, Hydro	44	1001007 Z	Link, Clutch
18	092300-601	Wheel & Tire Ass'y, Rear	45	1001014	Nut, Tee
--	024430	Tire ONLY *	46	690410	Pulley, Idler
--	407049	Tube ONLY	47	1001012	Bushing, Pivot
19	17x160	Washer	48	1001018 Z	Arm Assembly, Idler
20	690554 Z	Spacer	49	094184E701	Bracket, Right Transaxle
21	024373	Stem, Valve	50	01x155	Bolt, Hex
22	17x195	Washer	51	1001214 Z	Bracket, Dump Valve
23	0011x3	E-Ring	52	1001215 Z	Rod, Roll Release
24	094618	Cap, Hub	53	1001108E701	Bracket, Idler Pivot
25	015x88	Nut, Centerlock	54	002x92	Bolt, Carriage
26	-- -- ** -- --	Transaxle, Peerless Hydro	55	002x78	Bolt, Carriage
27	1001085E701	Strap, Torque	56	165x155	Spring, Clutch
28	26x216	Screw	57	017x38	Washer
29	1001234 Z	Rod, Control	58	021553	Key, Square 3/16"

\* When you order a tire, make sure to give the brand name of the tire so that the tread pattern on the tire will match.

\*\* For information on Replacement Parts for this transaxle contact the manufacturer.

# MODEL 425621x108A

# REPAIR PARTS STEERING



F-050761L

40



# MODEL 425621x108A

# REPAIR PARTS STEERING

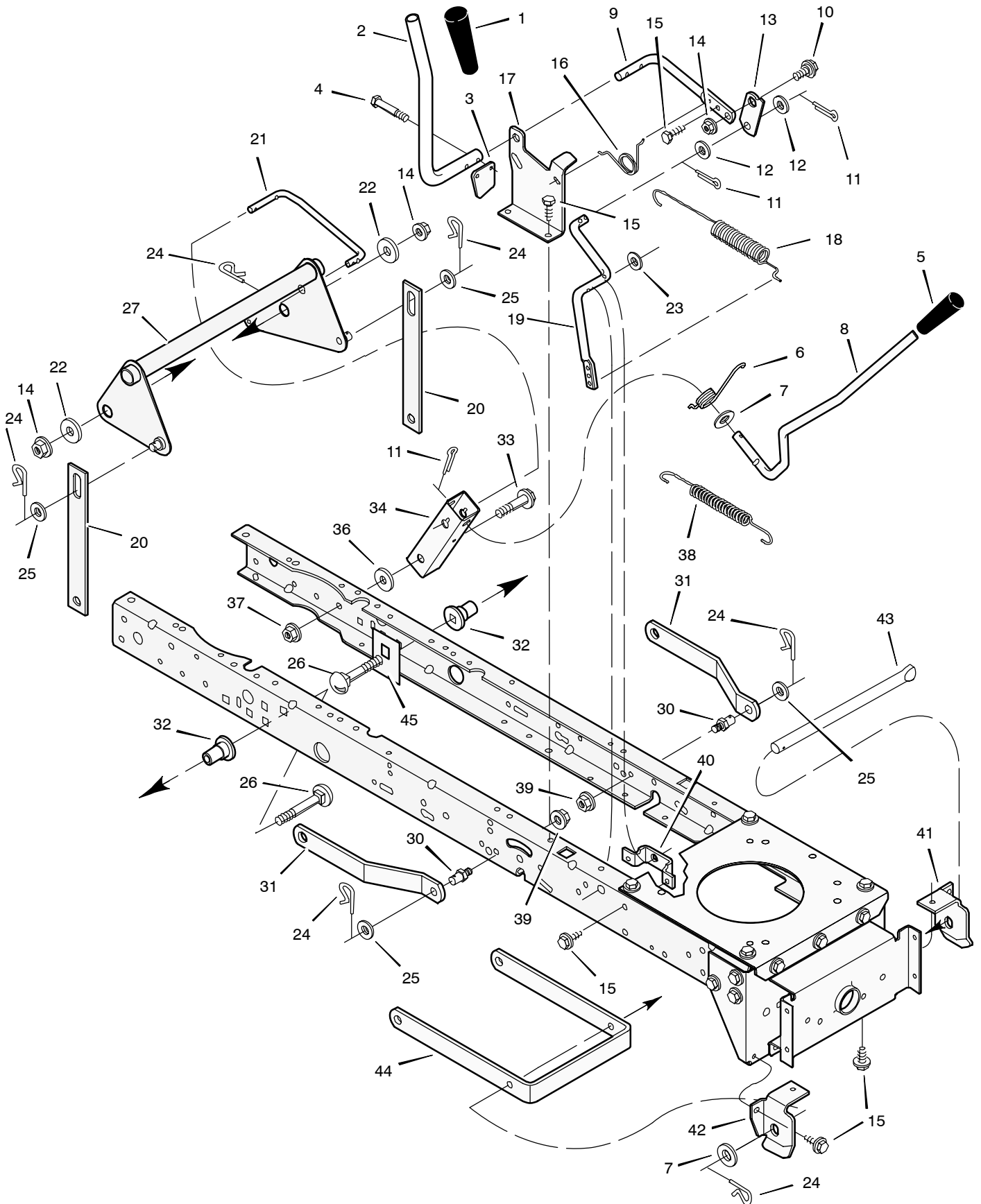
Key No.	Part No.	Description	Key No.	Part No.	Description
1	1001981	Wheel, Steering	23	17x104	Washer
2	690625	Post, Steering	24	017x53 Z	Washer
3	1001982	Cover, Steering Wheel	25	015x84	Nut, Flange
4	094124	Bearing †	26	1001460E701	Axle Assembly
5	15x111	Nut, Flange †	27	095329E701	Drag Link, Left
6	009x57	Bolt, Shoulder	28	094575E701	Spindle Assembly, Right
7	1001893	Gear, Pinion †	29	095328E701	Drag Link, Right
8	011x25	Ring, Snap †	30	26x249	Screw
9	094121	Gear, Sector	31	091334	Bearing, Wheel
10	094123	Bearing	32	024373	Stem, Valve
11	001x84	Bolt	33	024380	Tire *
12	1001121E701	Plate, Steering	--	407924	Tube
13	094006E700	Plate, Engine	34	094581-601	Wheel and Tire Assembly
14	015x88	Nut, Flange	35	17x195	Washer
15	15x118	Nut, Flange	36	17x192	Washer
16	1001270E700	Bracket, Hanger	37	17x113	Washer
17	94007E701	Axle, Hanger	38	094618	Hub Cap
18	01x146	Bolt	39	26x267	Screw
19	030x49	Pin, Cotter	40	092059	Bellows
20	690150	Bearing	41	0025x3	Bolt
21	094576E701	Spindle Assembly, Left	43	17x146	Washer
22	01x111	Bolt			

\* When you order a tire, make sure to give the brand name of the tire so that the tread pattern on the tire will match.

† These parts are included when ordering Key number 2.

# MODEL 425621x108A

# REPAIR PARTS MOWER HOUSING SUSPENSION



F-050761L

42

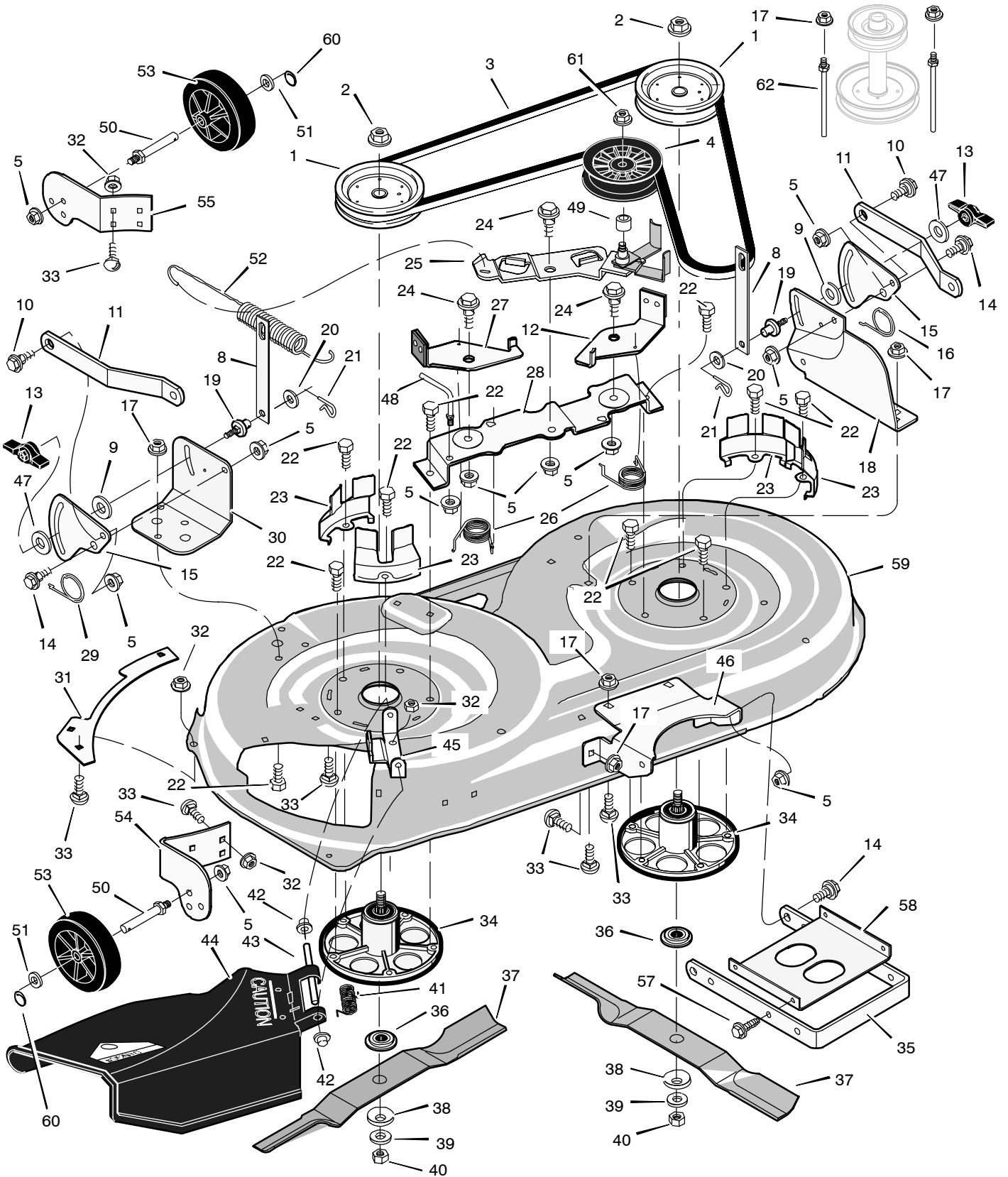
# MODEL 425621x108A

# REPAIR PARTS MOWER HOUSING SUSPENSION

Key No.	Part No.	Description	Key No.	Part No.	Description
1	092698	Grip	22	17x168	Washer
2	094100 Z	Handle, PTO	23	017x57	Washer
3	094022 Z	Pad, Switch	24	0031x4	Pin, Hair
4	0025x3	Bolt	25	017x91 Z	Washer
5	092697	Grip	26	002x85	Bolt, Carriage
6	166x40	Spring	27	1001111E701	Lever Assembly, Lift
7	17x103	Washer	30	094067	Pin
8	690533	Lever, Lift	31	094055E701	Bracket, Rear Suspension
9	094017 Z	Lever, PTO	32	690151	Spacer, Lifter
10	009x39	Bolt, Shoulder	33	009x53	Bolt, Shoulder
11	030x20	Pin, Cotter	34	094015E701	Bracket, Pivot
12	017x57	Washer	36	17x191	Washer
13	094004 Z	Link, PTO	37	015x84	Nut, Flange
14	015x84	Nut, Flange	38	165x131	Spring
15	26x249	Screw	39	015x68	Nut, Flange
16	166x39	Spring	40	094005E701	Bracket, PTO
17	094018E701	Bracket, PTO	41	094027E701	Hanger, Left Deck
18	165x119	Spring	42	094026E701	Hanger, Right Deck
19	690394E701	Crank, PTO	43	094158 Z	Rod, Hanger
20	690212E701	Link, Lift	44	690539E701	Bracket, Suspension
21	690122E701	Link, Lift Handle	45	1001098E701	Plate, Stiffening

# MODEL 425621x108A

# REPAIR PARTS MOWER HOUSING



# MODEL 425621x108A

# REPAIR PARTS MOWER HOUSING

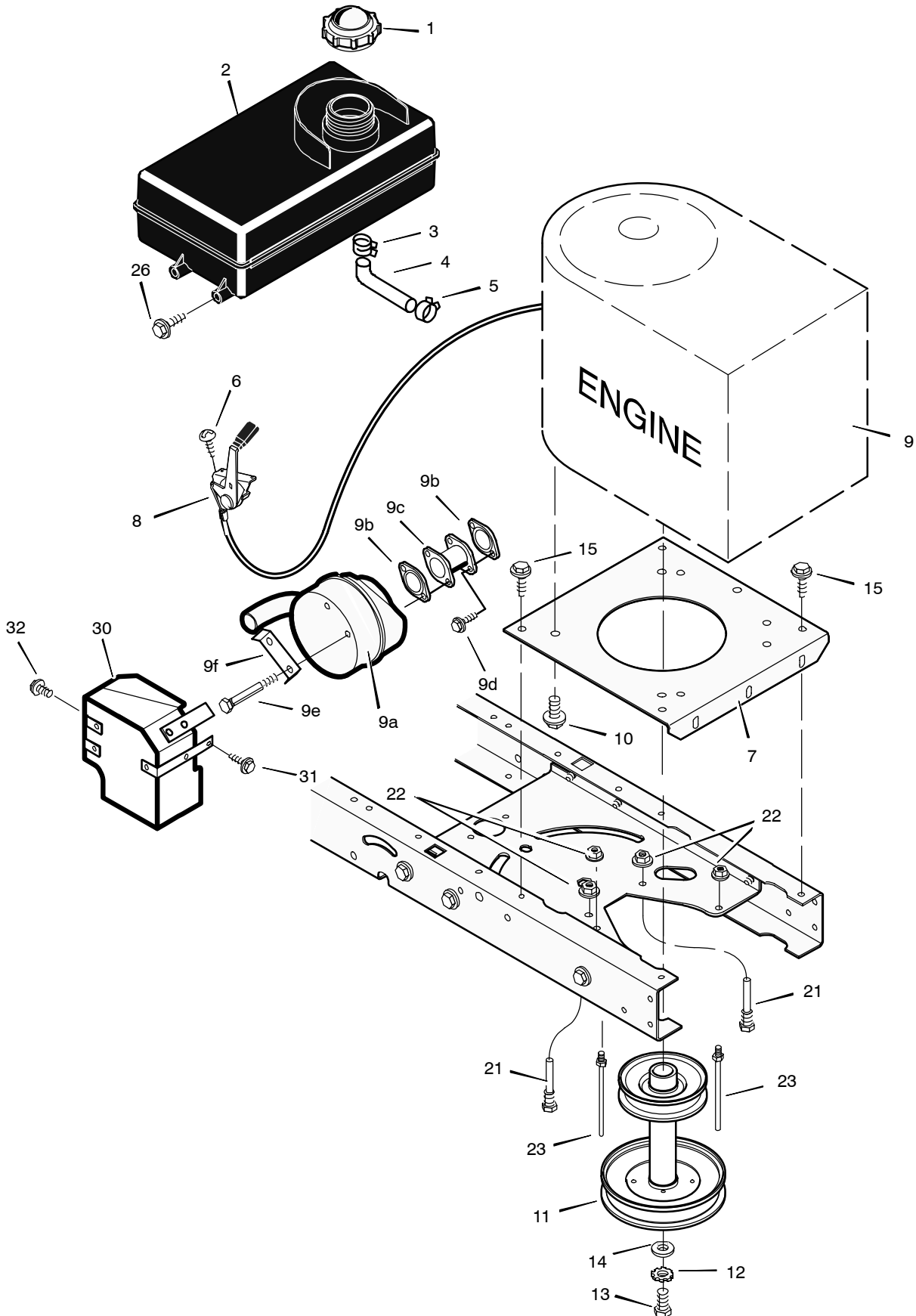
Key No.	Part No.	Description	Key No.	Part No.	Description
1	094199	Pulley, Jackshaft	33	002x53	Bolt, Carriage
2	15x140	Nut, Hex	34	1001200	Mandrell Housing
3	037x88	Belt, Mower Drive	35	690539E701	Bracket, Suspension
4	690387	Pulley, Idler	36	690411	Adapter, Blade
5	015x84	Nut, Flange	37	095100E701	Blade
8	690212E701	Link, Lift	38	17x166	Washer
9	094137	Pad, Friction	39	17x165	Washer
10	009x52	Bolt, Shoulder	40	15x100	Nut
11	094055E701	Bracket, Suspension	41	166x4	Spring
12	094049E701	Pad Assembly, Left Brake	42	028x23	Cap, Push On
13	094068	Knob	43	094957 Z	Rod, Deflector
14	009x51	Bolt, Shoulder	44	094707SE	Deflector Assembly
15	094128E701	Plate, Suspension	45	094956E701	Bracket, Deflector Hinge
16	166x43	Spring	46	094190E701	Bracket, Front Hanger
17	015x79	Nut, Flange	47	017x45	Washer
18	094192E701	Bracket, Suspension	48	094781	Guide, Belt
19	095194	Pin, Hanger	49	690369	Spacer
20	017x91	Washer	50	094025	Bolt, Axle
21	0031x4	Pin, Hair	51	017x91	Washer
22	0025x7	Bolt	52	165x119	Spring, Extension
23	094051E701	Cover, Pulley	53	092683	Wheel, Gage
24	009x39	Bolt, Shoulder	54	1001260E701	Bracket, Right Wheel
25	690408E701	Arm, Idler	55	092423E701	Bracket, Left Wheel
26	166x41	Spring	57	26x249	Screw
27	094047E701	Pad Assembly, Right Brake	58	094604E701	Stiffener
28	094193E701	Bracket, Brake	59	094814E701	Housing, Blade *
29	166x42	Spring	60	031x11	Ring, Locking
30	094191E701	Bracket, Suspension	61	015x98	Nut, Flange
31	092426E701	Plate	1-61	7601032	Complete Mower Housing Assy.
32	015x88	Nut, Flange	62	094066	Guide, Belt

\* Includes Key No. 17, 18, 30, 31, 32, 33, 45, 46, 53, 54, 55, and 56.

\* This part is included when ordering Key number 34.

# MODEL 425621x108A

# REPAIR PARTS ENGINE MOUNT



# MODEL 425621x108A

# REPAIR PARTS ENGINE MOUNT

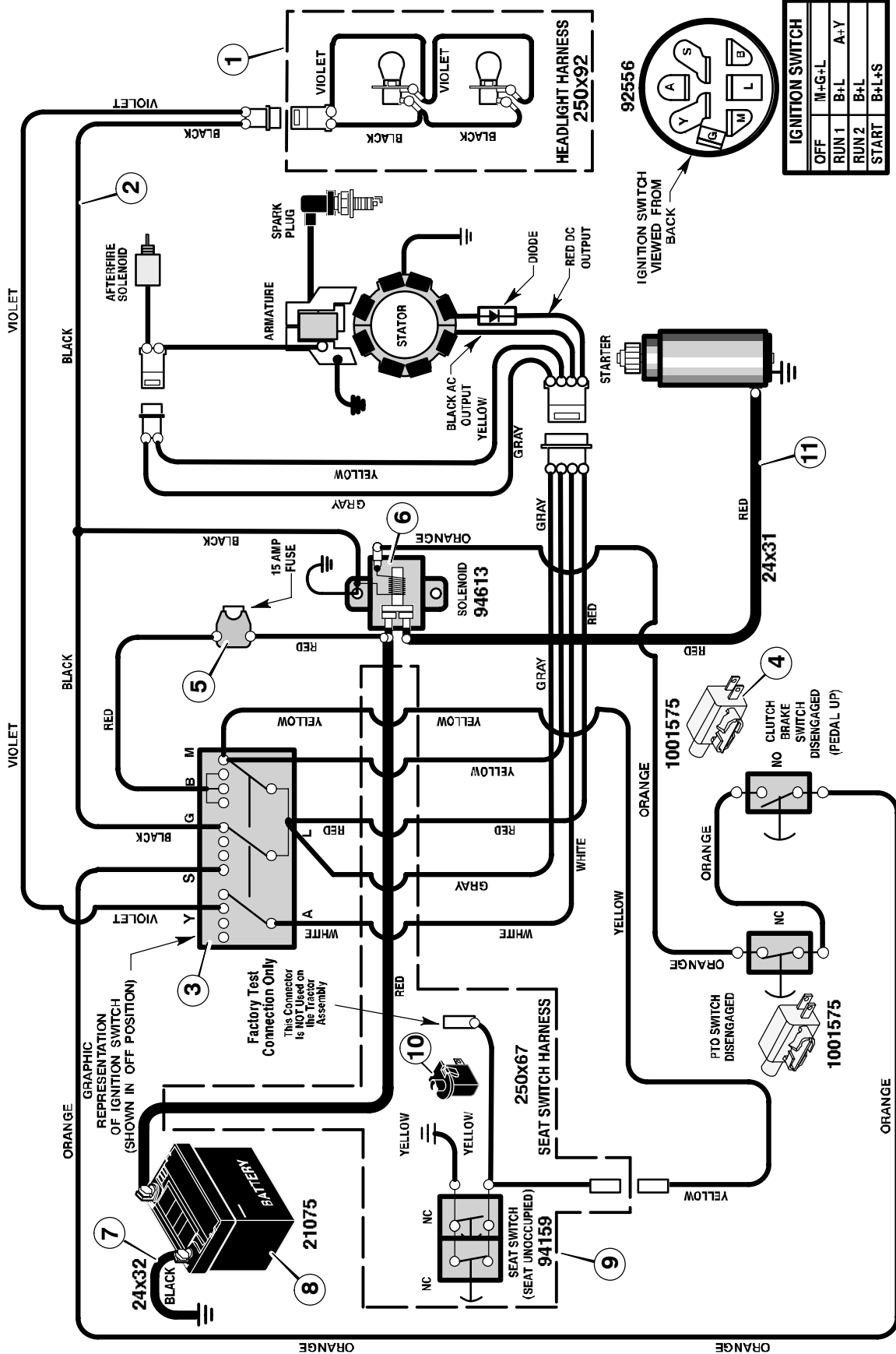
Key No.	Part No.	Description
1	092317	Fuel Cap †
2	690280	Fuel Tank
3	095197	Hose Clamp †
4	7601033	Fuel Line (Must cut to length) †
5	095197	Hose Clamp †
6	26x201	Screw
7	094006E700	Plate, Engine
8	092371	Throttle Control
9	*	Engine, BRIGGS & STRATTON
9a	1001717	Muffler
9b	091309	Gasket, Muffler
9c	095207	Adapter, Muffler
9d	06x103	Screw, Adapter
9e	009x59	Bolt, Muffler
9f	092378	Lock, Screw
10	0025x7	Bolt, Engine Mount
11	690439 Z	Stack Pulley Assembly
12	019x35	Lockwasher
13	01x140	Bolt, Hex
14	17x170	Washer
15	26x249	Screw
21	094384	Guide, Belt
22	015x79 Z	Nut, Flange
23	094066	Guide, Belt
26	26x253	Screw
30	1001897	Shield, Heat
31	26x263	Screw
32	06x104	Screw

\* For information on Replacement Parts contact the engine manufacturer.

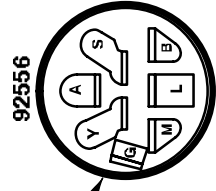
† These parts are included with Key number 2.

# MODEL 425621x108A

# REPAIR PARTS ELECTRICAL SYSTEM



IGNITION SWITCH	
OFF	M+G+L
RUN 1	B+L A+Y
RUN 2	B+L
START	B+L+S



**MAIN HARNESS: 250x112**  
**SEAT: 250x67; LIGHT : 250x92**



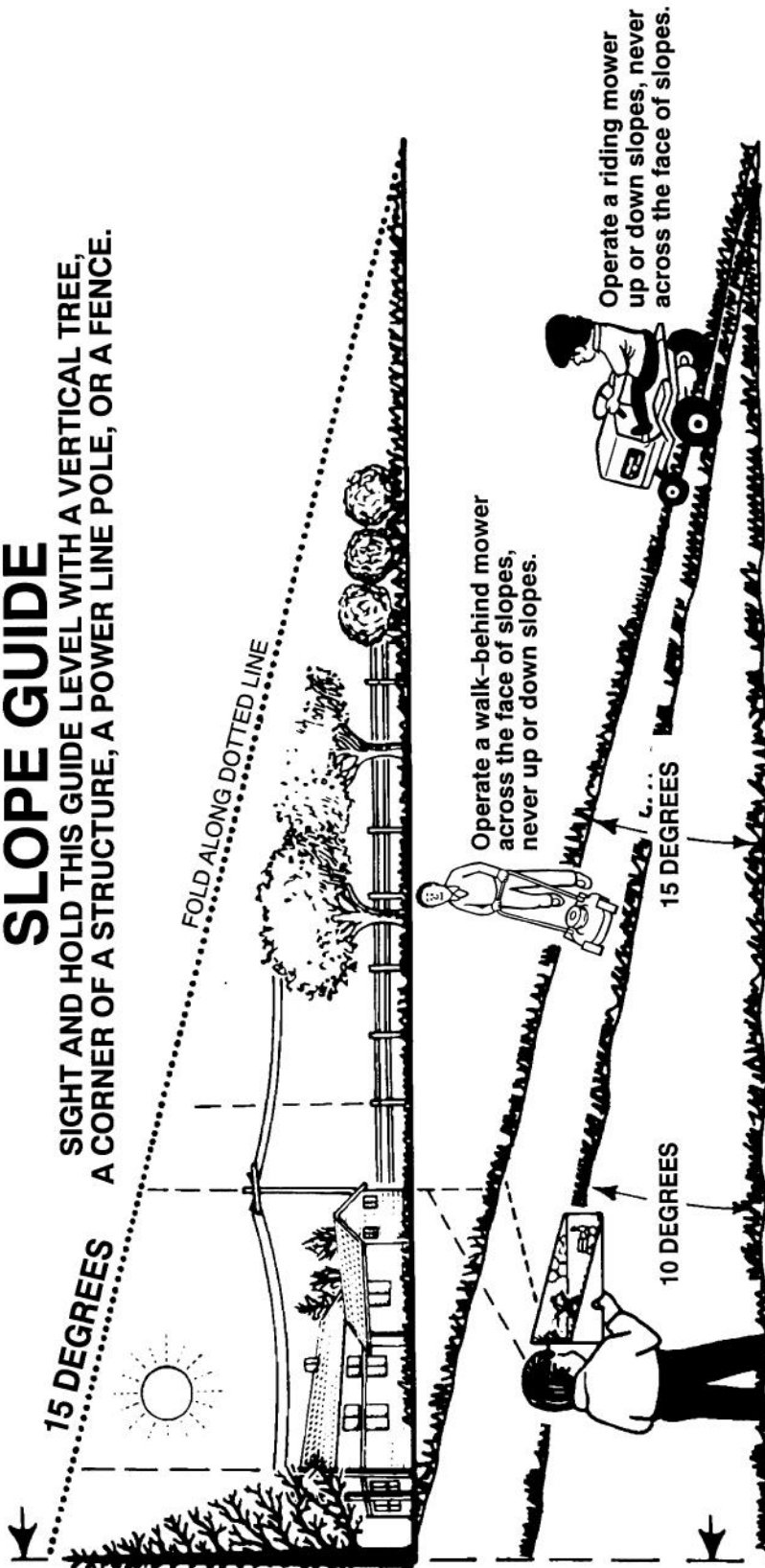
# MODEL 425621x108A

# REPAIR PARTS ELECTRICAL SYSTEM

<b>Key No.</b>	<b>Part No.</b>	<b>Description</b>
1	250x92	Harness, Light Wire
	1001716	Socket, Light
	090084	Bulb, Light
2	250x112	Harness, Chassis Wire
3	092556	Switch, Ignition
	1001304	Key, Ignition
	091489	Nut, Hex
	091488	Cap, Ignition
4	1001575	Switch, Limit
5	302031	Fuse
	407078	Holder, Fuse
6	1002004	Solenoid
	26x229	Screw, Mounting
	15x116	Locknut
7	024x32	Cable, Battery Ground
	26x229	Screw, Ground Cable
8	021075	Battery
	002x82	Bolt, Carriage
	014x79	Wingnut
	690604	Boot, Battery –Positive
9	250x67	Harness, Seat Switch Wire
10	094159	Switch, Seat Sensor
11	024x31	Cable

# SLOPE GUIDE

SIGHT AND HOLD THIS GUIDE LEVEL WITH A VERTICAL TREE, A CORNER OF A STRUCTURE, A POWER LINE POLE, OR A FENCE.



On a riding mower to determine if a slope is safe to mow: (1) disengage the blade(s), (2) put the unit in reverse, and (3) try to back straight up the slope. If you can back up the slope, it is generally safe to mow. However, if you do not feel safe, or if you are not completely sure, use this guide and do not mow a slope that is greater than 15 degrees. If the riding mower is used with a pull-behind or rear mounted attachment, do not operate the unit on a slope that is greater than 10 degrees.

A 15 degree slope is a hill that increases in height at approximately 2.5 feet in 10 feet.  
 A 10 degree slope is a hill that increases in height at approximately 1.7 feet in 10 feet.



Use extreme care at all times, and avoid sudden turns or maneuvers. Follow other instructions in this manual for safety in mowing on slopes. Operate a riding mower up or down slopes, never across the face of slopes. Operate a walk-behind mower across the face of slopes, never up or down slopes. Use extra care when operating on or near slopes and obstructions.

..... CUT HERE TO USE SLOPE GUIDE .....

---

# INDEX

---

## A

- Adjustments
  - Blade Rotation Control, 24
  - Clutch, 25
  - Drive Brake, 26
  - Mower Housing, Level, 30
- Assembly
  - Front Wheel, 11
  - Seat, 12
  - Steering Wheel, 12
- Attachments, 16
- Automatic Drive Disconnect, Operation, 17

## B

- Battery
  - Charge, 26
  - Check, 13
  - Clean, 26
  - Install, 13
  - Removal, 26
  - Storage, 34
- Belt
  - Motion Drive
    - Adjust, 25
    - Replace, 31
  - Mower Drive
    - Adjust, 24
    - Replace, 32

- Blade
  - Inspect, 23
  - Remove And Install, 23
  - Sharpen, 23
- Blade Rotation Control
  - Adjust, 24
  - Location, 15
  - Operation, 16
- Brake Pedal, Location, 15

## C

- Clutch
  - Adjust, 25
  - Check, 25
- Controls, Location, 15
- Cutting Height
  - Adjust, 30
  - Change, 18

## D

- Drive Brake
  - Adjust, 26
  - Check, 26

## E

- Engine
  - Fuel, 14, 20
  - Oil, 14, 20
  - Preparation, 14
  - Spark Arrester, 14, 22

- Starting, 20
- Storage, 34
- Throttle Control, 16

## F

- Filter, Fuel, 27
- Front Wheel, Assembly, 11
- Fuel, Type, 20
- Fuse, 34

## H

- Headlight, Replace Light Bulb, 34
- Headlight Switch, Location, 15

## I

- Ignition Switch, Location, 15

## L

- Lift Lever
  - Location, 15
  - Operation, 18
- Lubrication, Mower, 27

## M

- Maintenance
  - Adjust, Guage Wheels, 29
- Battery
  - Charge, 26
  - Clean, 26
- Belt
  - Motion Drive, 31
  - Mower Drive, 32
- Blade, 23
- Blade Rotation Control, 24
- Clutch, 25
- Drive Brake, 26
- Filter, Fuel, 27
- Fuse, 34
- Headlight, 34
- Install, Wheels, 33
- Lubrication, 27
- Mower Housing
  - Clean, 34
  - Install, 28
  - Level, 30
  - Remove, 28
- Muffler, 22
- Storage, 34
- Maintenance Chart, 22
- Motion Drive Belt
  - Adjust, 25
  - Replace, 31
- Mower Drive Belt
  - Adjust, 24
  - Replace, 32
- Mower Housing
  - Clean, 34
  - Cutting Height, 18
  - Install, 28

- Level Adjustment, 30
- Operation, 19
- Remove, 28
- Muffler, 22
- Spark Arrester, 22

## O

- Oil
  - Check, 20
  - Type, 20
- Operation
  - Attachments, 16
  - Automatic Drive Disconnect, 17
  - Blade Rotation Control, 15, 16
  - Brake Pedal, 15
  - Headlight Switch, 15
  - Ignition Switch, 15
  - Lift Lever, 15, 18
  - Location Of Controls, 15
  - Mower Housing, 19
  - Mowing And Bagging, 21
  - Operate On Hills, 19
  - Parking Brake, 15, 18
  - Speed Control Pedal, 15, 17
  - Start The Engine, 20
  - Stop The Unit, 18
  - Throttle Control, 15, 16
  - Transport, 18

## P

- Parking Brake
  - Location, 15
  - Operation, 18
- Parts Bag, 10

## S

- Safety Rules
  - American National Standard Institute, 3-4
  - Safe Mowing Guide, 5-7
- Seat, Install, 12
- Seat Switch, Operation, 20
- Slope Guide, 54
- Spark Arrester, 14, 22
- Speed Control Pedal
  - Location, 15
  - Operation, 17
- Steering Wheel, 12
- Storage, 34

## T

- Throttle Control
  - Location, 15
  - Operation, 16
- Tire Pressure, 14, 27
- Trouble Shooting Chart, 35

## W

- Warranty, 2



## Free Manuals Download Website

<http://myh66.com>

<http://usermanuals.us>

<http://www.somanuals.com>

<http://www.4manuals.cc>

<http://www.manual-lib.com>

<http://www.404manual.com>

<http://www.luxmanual.com>

<http://aubethermostatmanual.com>

Golf course search by state

<http://golfingnear.com>

Email search by domain

<http://emailbydomain.com>

Auto manuals search

<http://auto.somanuals.com>

TV manuals search

<http://tv.somanuals.com>