

Owners Manual

DOMESTIC ROTARY MOWER FOUR STROKE



SAFETY INSTRUCTIONS

- A mower user must be in good physical condition and mental health and not under the influence of any drug or alcohol which might impair vision, co-ordination or judgement.
- Do not use a mower when tired or fatigued. Lack of alertness may cause serious injury.
- Know your controls. Read and understand the Owner's Manual before operating mower. Learn how to stop the mower in an emergency. Refer Operator's Instructions.
- Do not lend or sell the mower without the Owner's Manual.
- Be sure that anyone using the mower reads and fully understands the information contained in this Manual and knows how to safely operate the mower.
- Do not allow children or people unfamiliar with these instructions to use the mower.
- Never mow whilst bystanders or pets are present in the mowing area.
- Never mow while barefoot or wearing open sandals or thongs. Wear long trousers and heavy non-slip shoes.
- It is advisable to wear suitable eye protection when operating a mower.
- Before using, always visually inspect to see that the blades, blade bolts and cutter assembly are not worn or damaged. Replace worn or damaged blades and bolts in sets to preserve balance.
- Damaged blades and worn bolts are major hazards.
- Replace worn or faulty silencers.
- Make sure the area to be mowed is cleared of sticks, stones, bones, wire and debris. They could be thrown by the blades.
- Store fuel in a cool place in a container specifically designed for that purpose. In general, plastic containers are unsuitable. Handle Fuel carefully. It is highly flammable.
- Refuel outdoors only. Do not smoke when refuelling engine. Add fuel before starting engine. Never remove the cap from the fuel tank or add petrol while engine is running. Allow engine to cool for several minutes before refuelling if engine is hot. If petrol is spilled, do not attempt to start the engine, but move the mower away from the area of the spill and avoid creating any source of ignition until the petrol vapours have dissipated.
- Remove the fuel cap slowly to relieve fuel tank pressure.
- Check for fuel leaks while refuelling or using the mower. If a fuel leak is found, do not start or run the engine until the leak is fixed and spilled fuel is wiped away.
- Take care not to get fuel on your clothing. If this occurs, change your clothing immediately.
- Do not operate mower in confined space where exhaust fumes (carbon monoxide) can collect.
- Mow only in good daylight.
- Start the engine carefully with feet well away from the blades.
- Disengage all blade and drive clutches before starting.
- When starting, do not wrap the starter rope around your hand. Do not allow the starter cord to snap back. Return the starter grip slowly to allow the cord to rewind properly.
- Strictly follow the Operating Instructions before attempting to start the engine.
- Never leave winding-up starters in a wound position.
- Never mow where machine could tip or slip.
- On slopes or wet grass be extra careful of your footing.
- Never cut grass by pulling mower towards you.
- Be extremely careful when using a mower on slopes. Stay alert for holes in the terrain and other hidden hazards.
- Stop the engine before pushing the mower across gravel drives, walks or roads.
- Never use the mower unless all guards or grassbox provided by manufacturer are in position.
- Never over-speed the engine or alter the governor settings. Excessive speed is dangerous and shortens mower life.
- Stop the engine whenever you leave the mower, even for a moment.
- Stop the engine and disconnect the spark plug lead and inspect mower if:-
 - (a) the mower begins to vibrate abnormally; or
 - (b) after striking a foreign object.
- Repair any damage before continuing further operation of the mower.
- Stop the engine and disconnect the spark plug lead before clearing blockages, checking or working on the mower.
- Never pick up or carry a mower when it is operating.
- Where fitted, turn fuel cap off at the conclusion of mowing.
- When transporting in a vehicle, secure the mower to prevent movement, roll-over, fuel spillage, and mower damage.
- Keep all nuts, bolts and screws tight to be sure the equipment is in a safe working condition.
- Never modify the mower in any way. Use only replacement parts made and guaranteed by the original manufacturer of your mower.
- Keep all safety devices (guards and switches) in place and working.
- Keep the engine free of grass, leaves or excessive grease. These can be a fire hazard.
- Store the mower in a well ventilated room away from naked flames such as may be found in hot water heaters.
- **Walk, Never Run.**

To emphasise special information the words WARNING and CAUTION are used.

WARNING:

The safety of the user and others is involved. Personal injury may result should this information be disregarded.

CAUTION:

Follow these instructions carefully to avoid mower damage and loss of warranty.

Congratulations on your purchase of a quality Australian made and owned ROVER product.

WARNING

To maintain maximum efficiency and to avoid loss of mower warranty, use and fit only genuine ROVER spare parts.

These machines are covered by one or more of the following Reg. designs and or Patents; *Reg. Designs:* Aust. 131504, 121674, 132232 NZ. 25656, 28617
Patents: Aust. 713852, 729036, 745750
NZ. 330293, US. 6085508, UK. GR2325139

GRASS CATCHER ASSEMBLY

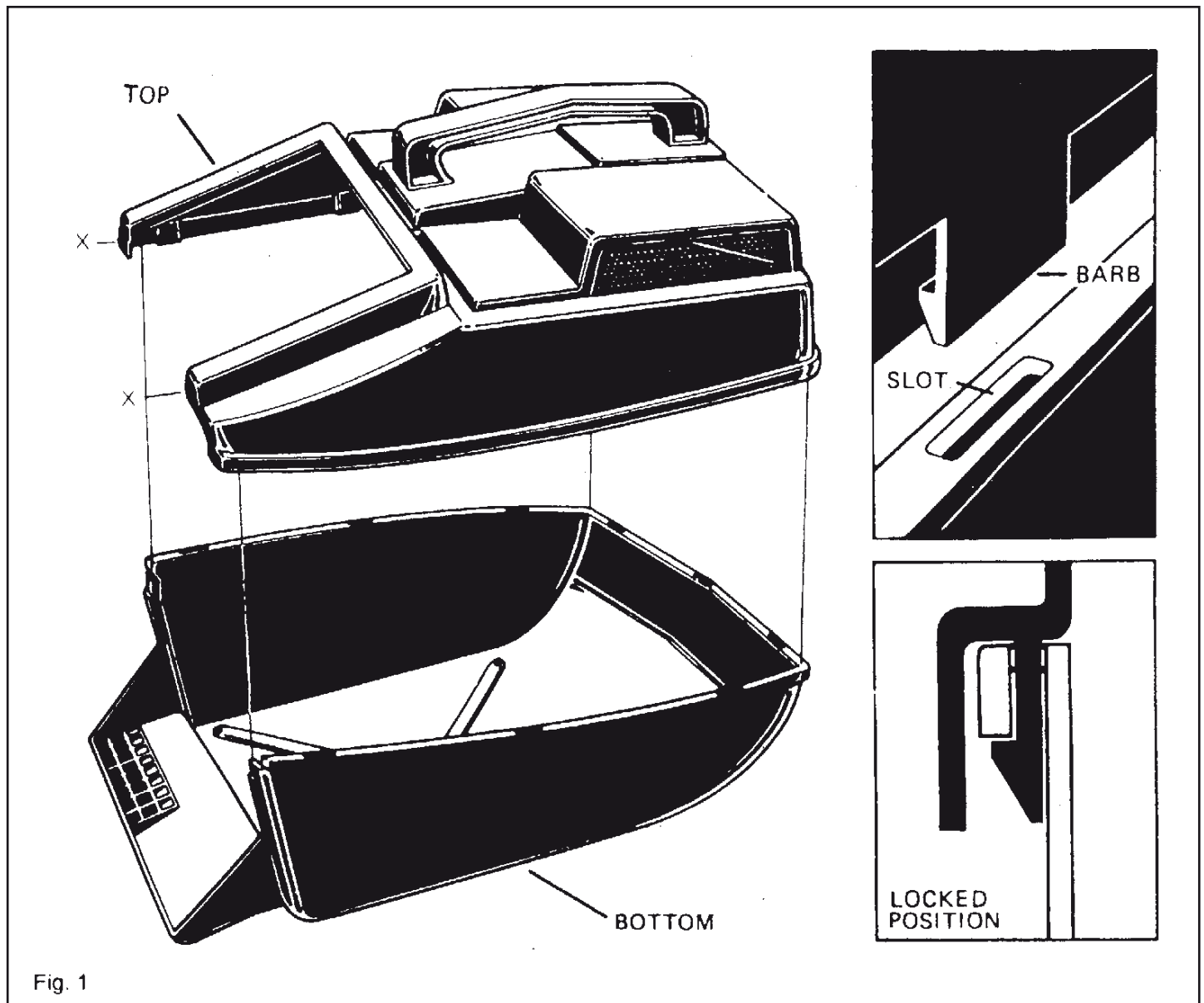
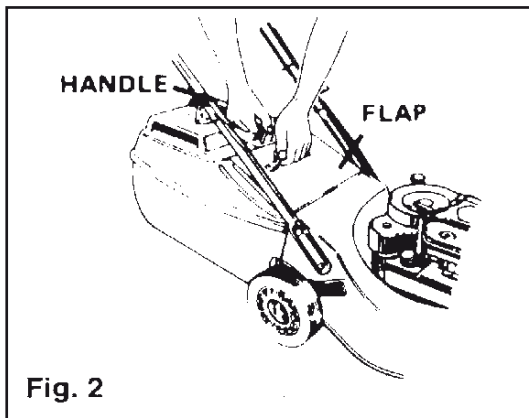


Fig. 1

1. Ensure that all BARBS in the TOP are located in SLOTS provided in the BOTTOM.
2. Press TOP and BOTTOM together firmly.
3. Check all BARBS are in the LOCKED POSITION
4. Fit 2 SCREWS where holes are provided. (X).

REAR CATCHER MOWER SET-UP

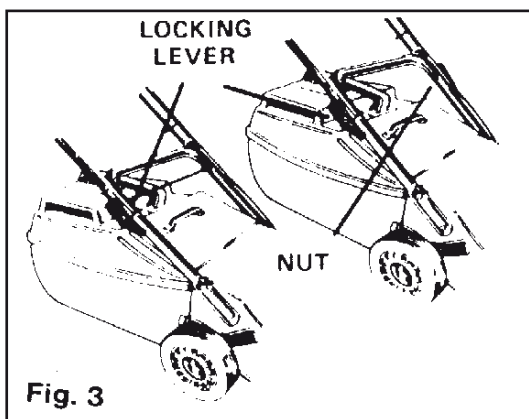


GRASS CATCHER (Fig. 2)

To Fit: Raise FLAP, grasp HANDLE, and position catcher against rear of mower.

To Remove: Grasp HANDLE, lift FLAP, remove catcher.

WARNING: Stop engine to fit or remove catcher.



FOLDING HANDLE (Fig. 3)

Your mower handle is held in position with either a LOCKING LEVER (Fig.3) or KNOBS (Fig. 4).

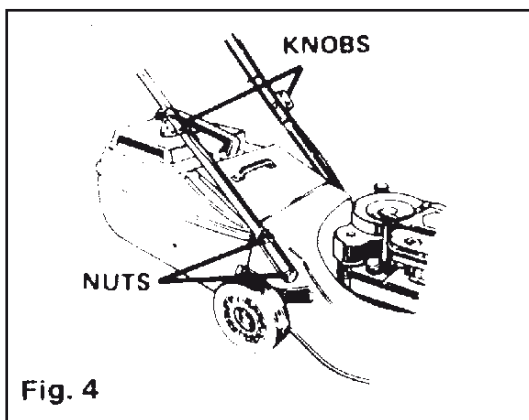
On Self-Propelled mowers the handles must be assembled when the mower is removed from the carton. Insert the threaded shank of the Locking Lever through the handle bars and secure with the nyloc nuts supplied.

If the handle will not lock in the mowing position when the LOCKING LEVER is pushed down, adjust NUT. Use 1/2" AF or 13mm AF spanner or socket. (Fig. 3).

CAUTION: Do not allow handle to fall to ground. Throttle cable damage may result.

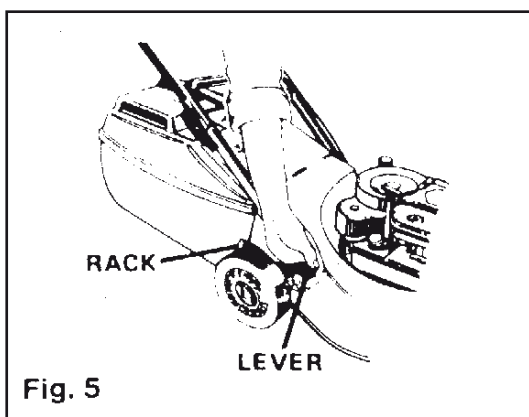
Fold or unfold handle carefully and ensure throttle cable is not pinched or kinked.

Beware snags that may catch and damage throttle cable.



HANDLE HEIGHT

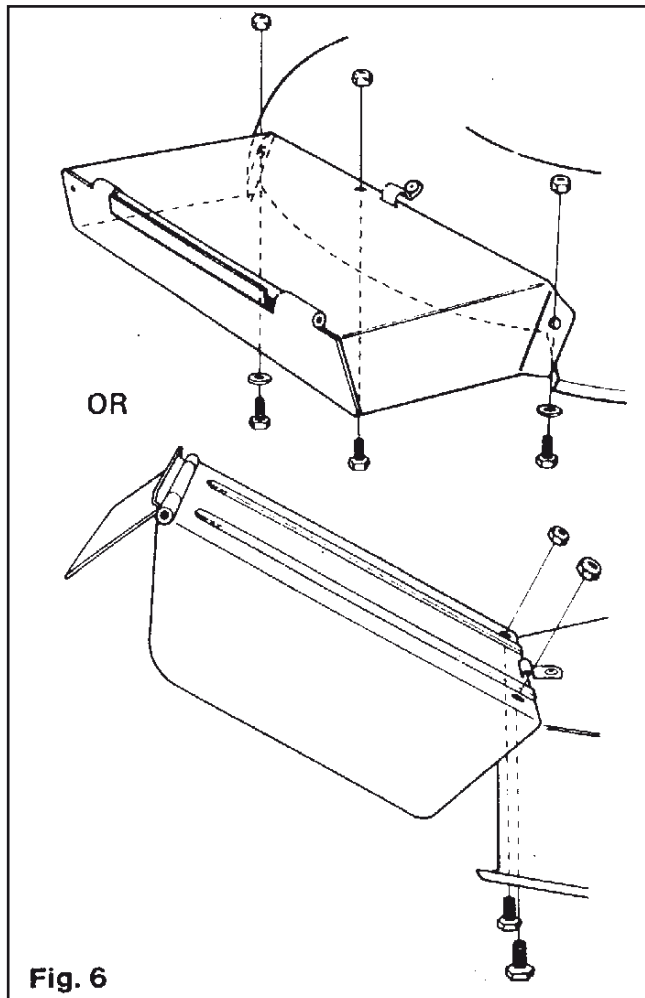
To adjust handle height, loosen NUTS and remove handle. Re-Tighten NUTS when handle is in desired position. Use a 1/2" AF or 13mm AF spanner or socket.



HEIGHT OF CUT (Fig. 5)

Apply outward pressure to disengage LEVER from RACK. Move lever forward or back to adjust cutting height.

UTILITY MOWER SET-UP



GRASS CHUTE (Where fitted) (Fig. 6)

Fix the grass chute in place using screws and nuts supplied.

WARNING: Do not remove the grass chute or use mower with the chute of flap up. Thrown objects are major hazards.

**FOLDING HANDLE AND HEIGHT OF CUT
REFER REAR CATCHER MOWER SET-UP**

BEFORE STARTING

PREPARE ENGINE

The four stroke engine used on the mower requires separate additions of petrol and oil.

CAUTION: Do not mix petrol with oil.

PETROL

Clean, fresh, unleaded petrol is recommended. Lead free petrol burns cleaner with fewer combustion deposits

OIL

Use a high quality detergent oil with service classification SE or SF.

Detergent oils keep the engine clean and retard the formation of gum and varnish deposits

CAUTION: Use no oil additives.

FILL SUMP WITH OIL - CAPACITY 600mL

1. Place mower on level ground.
2. Clean area around OIL-FILL.

3. Remove DIP STICK and check oil level.
4. Fill sump to FULL MARK on dip stick.

CAUTION: Screw dip stick in to obtain actual oil level. Do not overfill sump.

5. Replace dip stick securely.

FILL FUEL TANK

WARNING: Refuel outdoors only. Do not smoke while fuelling engine. Add fuel before starting the engine. Never remove the cap from the fuel tank or add petrol while the engine is running or when the engine is hot. If petrol is spilled do not attempt to start the engine but move machinery away from the area of the spill and avoid creating any source of ignition until petrol vapours have dissipated.

1. Clean area around fuel cap and remove cap from tank.
2. Fill tank to just below filler neck.
3. Replace petrol tank cap securely.

TO START MOWER

WARNING: Before starting, learn how to stop the engine quickly in any emergency.

ENGINE WITH AUTOMATIC CHOKE

1. Move throttle control to RUN.
2. Grasp starter handle and pull.

ENGINE WITH MANUAL CHOKE

1. Turn fuel tap ON. (Where fitted).
2. Move throttle control to CHOKE.
3. Grasp starter handle and pull.
4. After engine starts move throttle control to RUN.

TO STOP MOWER

1. Move throttle control to STOP.
2. Turn fuel tap OFF. (Where fitted).

HINTS FOR EASY STARTING

1. Start a warm engine with the throttle control set at RUN.
2. Start the mower on a level, gravel free path or driveway. As the blades are unloaded, less effort is required. When starting on grass move the mower to an area previously cut.
3. Keep the underside of the mower base clean. Remove any obstruction to the free movement of the cutting assembly.

MAINTENANCE

Perform only that maintenance described in this manual and engine instructions. For other adjustments or repairs contact an Authorised **Rover** Mower Service Agent.

Briggs & Stratton Operating & Maintenance Instructions are known as Engine Instructions here.

MAINTAIN ENGINE OIL LEVEL

CAUTION: A low oil level may result in engine damage.

Check oil level each 5 hours of mowing. Maintain oil level within safe region on dip stick.

CHANGE OIL

REFER ENGINE INSTRUCTIONS

Change oil after first 5 hours of mowing. Thereafter change oil every 25 hours of mowing.

Dispose of waste oil thoughtfully.

WARNING: Tilt mower with fuel tank empty. Fuel may spill from the fuel cap vent.

MOWER CLEANING

REFER ENGINE INSTRUCTIONS

WARNING: To reduce fire hazard, keep the mower clean.

For best mower performance keep the engine underside of mower base and grass catcher screen clean.

WARNING: Maintain engine oil cooling system. Poor air flow may result in overspeeding, overheating and engine damage.

1. Use a brush or cloth to clean the engine of accumulated dirt, grass and leaves.

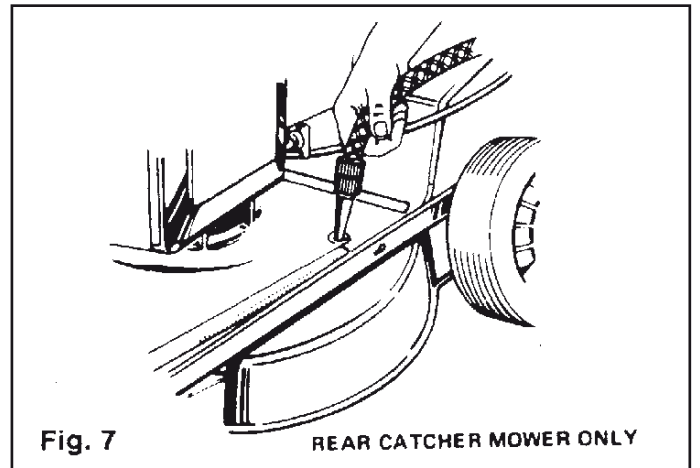


Fig. 7

REAR CATCHER MOWER ONLY

2. To clean the rear catcher mower base use a hose to direct water through the wash port while the engine is running at a moderate speed. (Fig. 7).
3. To clean the catcher, remove from the mower, empty and hose out to release grass and dirt from the screen.

CAUTION: Do not hose the engine. A forced spray of water may contaminate the fuel system. Poor engine performance may result.

ENGINE AIR CLEANER

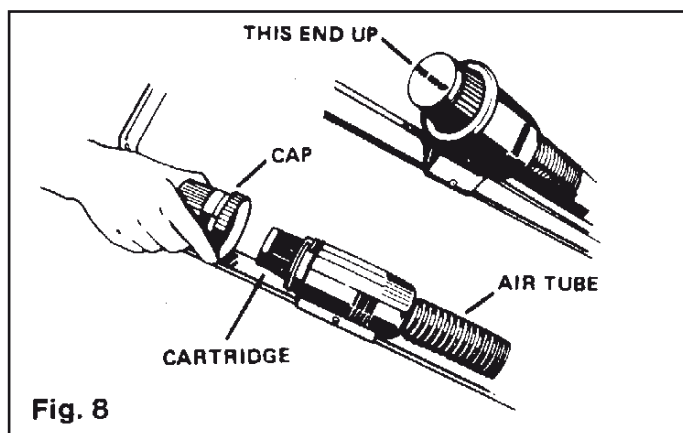
REFER ENGINE INSTRUCTIONS

The engine air cleaner element must be serviced after each 25 hours of normal mowing. The element must be serviced more frequently when the mower is used in dusty conditions.

MAINTENANCE

SNORKEL AIR CLEANER

The SNORKEL air cleaner element must be cleaned after each 50 hours of normal mowing. The element must be cleaned more frequently when the mower is used in dusty conditions.



1. Disconnect Air Tube from Cartridge holder.
2. Unscrew CAP.
3. Remove CARTRIDGE.
4. Tap cartridge gently on a flat surface to remove dirt.
5. Replace cartridge with hole down.
6. Replace cap.
7. Reconnect Air Tube to Cartridge holder.

CAUTION: Do not allow dirt into the AIR TUBE. Engine damage may result. Check the condition of the air tube regularly. Replace the tube if squashed, cracked or holed.

SPARK PLUG

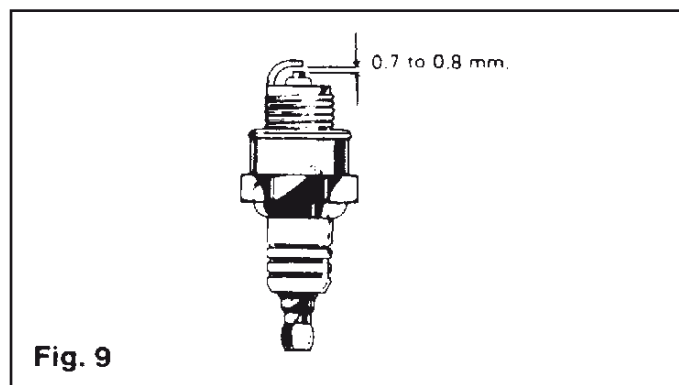
For best engine performance check the condition of the spark plug each 100 hours of mowing. A worn or damaged spark plug must be replaced.

CAUTION: Do not sand blast or file spark plug electrodes. Grit may release from the plug and fall into the cylinder. Engine damage may result.

1. Clean area around spark plug to ensure no dirt enters the cylinder when plug is removed.
2. Using the tube spanner provided and an adjustable wrench, remove plug.
3. If a new plug is required refer to the engine manual for the correct spark plug.
4. Set gap between electrodes at 0.7mm to 0.8mm. See (Fig. 9).

5. Install plug in engine and tighten to 20 Nm. If a torque wrench is not available hand tighten plug. Then with tube spanner tighten plug about 1/12 of 1 turn.

CAUTION: Do not overtighten spark plug. Engine damage may result.



WARNING: Always disconnect the spark plug wire before working on the mower to prevent accidental starting. Before using, always visually inspect the mower to check that blades, blade bolts and cutter assembly are not worn or damaged. Replace worn or damaged blades in sets to preserve balance. DAMAGED BLADES AND WORN BOLTS ARE MAJOR HAZARDS.

CUTTING ASSEMBLY CHECK

1. Disconnect spark plug wire.
2. Set mower at high cut and fold handle.
3. Tilt mower so spark plug is up.

WARNING: Tilt mower with fuel tank empty. Fuel may spill from the fuel cap vent.

4. Inspect the cutting assembly for damage and wear.
5. Check security of disc retaining bolts. If required, tighten in accordance with table below.

Description	¹ Torque
¹ O One large centre bolt 9/16" AF	65-70 Nm
O Three small ¹ concentric bolts O O 1/2" AF	16-19 Nm

6. Return mower to normal position and replace spark plug wire.

MAINTENANCE

BLADE CHANGE

REAR CATCHER MOWER

1. Disconnect spark plug wire
2. Set mower at high cut and fold handle.
3. To access blades lift FLAP and PROP with broom handle or garden stake. (Fig. 10)

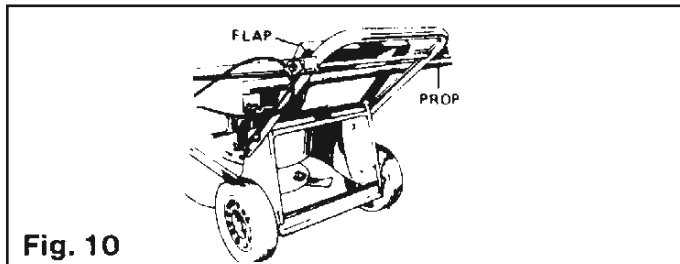


Fig. 10

4. Remove blade retaining bolt, nut and washer assemblies. Retain D PLATES. Discard all other parts.
5. Fit new blades and fasteners together in sets for safety and balance. Take care to assemble parts in correct order. (Fig. 11)

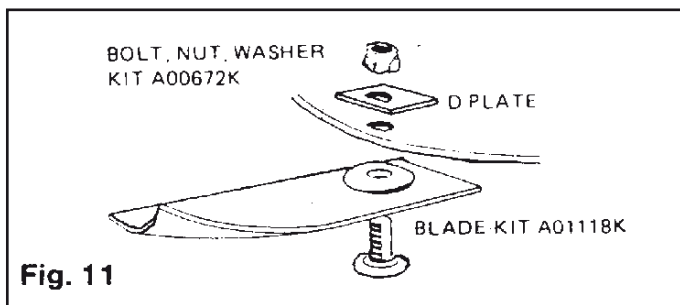


Fig. 11

6. Tighten retaining nuts to 16Nm. If a torque wrench is not available, tighten nuts firmly. Ensure blade can swivel using medium hand effort.
7. Remove flap prop, return mower to normal position and replace spark plug wire.

BLADE CHANGE

UTILITY MOWER

1. Disconnect spark plug wire.
2. Set mower at high cut and fold handle.
3. Tilt mower so spark plug is up.

WARNING: Tilt mower with fuel tank empty. Fuel may spill from the fuel cap vent.

4. Remove blade retaining bolt, nut and washer assemblies. Retain D PLATES. Discard all other parts.
5. Fit new blades and fasteners together in sets for safety and balance. Take care to assemble parts in correct order. (Fig. 12).

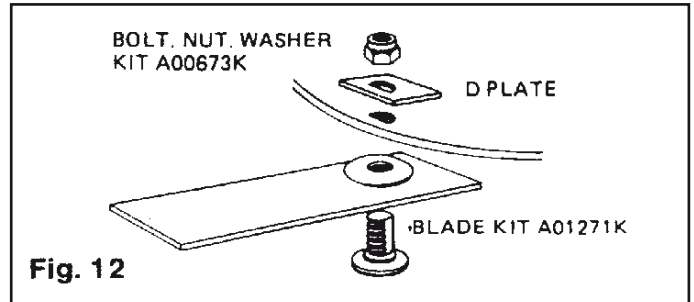


Fig. 12

6. Tighten retaining nuts to 16 Nm. If a torque wrench is not available, tighten nuts firmly. Ensure blade can swivel using medium hand effort.
7. Return mower to normal position and replace spark plug wire.

THROTTLE CONTROL

Each 25 hours of mowing use a small amount of light oil to lubricate the throttle control. (Fig. 13).

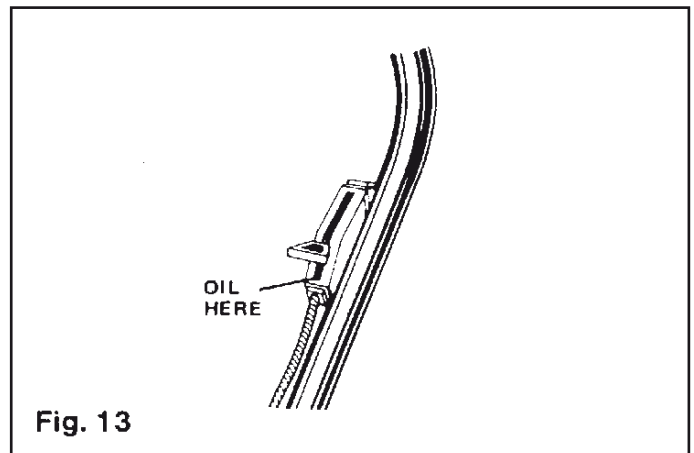


Fig. 13

MOWER STORAGE

For storage all fuel must be removed from the carburettor, fuel line and tank to prevent the formation of gum-like varnish deposits. Such deposits, if allowed to appear, may cause starting problems and poor engine performance.

1. Move throttle control to STOP.
2. Clean area around fuel cap and remove cap from tank.
3. Use a mechanical siphon to drain fuel into a clean container.
4. Start mower and run at idle speed until all fuel is used.
5. Move the throttle control to STOP and turn fuel tap OFF. (Where fitted).
6. Clean mower and check fastener security.

TROUBLE SHOOTING GUIDE

Problem	Possible Cause	Corrective Action
Engine does not start	<ol style="list-style-type: none"> 1. Throttle not in CHOKE or RUN position 2. Fuel tank is empty or fuel tap in OFF position 3. Air cleaner element is dirty 4. Spark plug loose 5. Spark plug wire loose or disconnected from plug 6. Spark plug gap is incorrect 7. Spark plug is defective 8. Carburettor is flooded with fuel 9. Faulty ignition module 	<ol style="list-style-type: none"> 1. Move Throttle to CHOKE or RUN 2. Refer BEFORE STARTING and TO START MOWER 3. Service air cleaner element: refer ENGINE or SNORKEL AIR CLEANER 4. Tighten spark plug to 20 Nm. 5. Fit wire on plug 6. Set gap between electrodes at 0.7 to 0.8mm 7. Install new, correctly gapped plug: Refer SPARK PLUG 8. Move Throttle to STOP. Pull starter rope 6 times. Move Throttle to CHOKE or RUN and start engine. If engine continues to flood rotate carburettor needle valve 1/8 turn clockwise to obtain a leaner mixture: refer ENGINE INSTRUCTIONS - ADJUSTMENTS 9. Contact ROVER Mower Service Agent
Engine difficult to start or loses power	<ol style="list-style-type: none"> 1. Dirt, water, or stale fuel in fuel tank 2. Vent hole in fuel tank cap is plugged 3. Air cleaner element is dirty 	<ol style="list-style-type: none"> 1. Drain fuel and clean tank. Fill tank with clean, fresh fuel: refer BEFORE STARTING 2. Clean or replace fuel tank cap. 3. Service air cleaner element: refer ENGINE or SNORKEL AIR CLEANER.
Engine operates erratically	<ol style="list-style-type: none"> 1. Spark plug is defective 2. Spark plug is incorrect 3. Air cleaner element is dirty 	<ol style="list-style-type: none"> 1. Install new, correctly gapped plug: refer SPARK PLUG 2. Set gap between electrodes at 0.7 to 0.8mm 3. Service air cleaner element: refer ENGINE or SNORKEL AIR CLEANER
Engine idles poorly	<ol style="list-style-type: none"> 1. Air cleaner element is dirty 2. Cooling fins and air passages under engine blower housing are plugged 	<ol style="list-style-type: none"> 1. Service air cleaner element: refer ENGINE or SNORKEL AIR CLEANER 2. Remove debris from cooling fins and air passages
Engine skips at high speed	<ol style="list-style-type: none"> 1. Gap between electrodes of spark plug is too close 	<ol style="list-style-type: none"> 1. Set gap between electrodes at 0.7 to 0.8mm
Engine overheats	<ol style="list-style-type: none"> 1. Cooling air flow is restricted 2. Incorrect spark plug 3. Low oil 	<ol style="list-style-type: none"> 1. Remove any debris from slots in shroud, blower housing, air passages, and cooling fins on engine 2. Install CHAMPION CJ8 3. Check oil level and top up if necessary: refer ENGINE INSTRUCTIONS - BEFORE STARTING
Mower vibrates abnormally	<ol style="list-style-type: none"> 1. Cutting assembly is loose 2. Cutting assembly is unbalanced 	<ol style="list-style-type: none"> 1. Refer CUTTING ASSEMBLY CHECK 2. Refer CUTTING ASSEMBLY CHECK
Oil leaks from muffle or air cleaner	<ol style="list-style-type: none"> 1. Engine overfilled with oil 2. Mower tipped or handled incorrectly 	<ol style="list-style-type: none"> 1. Check oil level. Drain excess oil: refer ENGINE INSTRUCTIONS - MAINTENANCE 2. Check oil level. Check air cleaner and spark plug: refer ENGINE INSTRUCTIONS - MAINTENANCE

NOTES

NOTES

WARRANTY CONDITIONS

Australia & New Zealand Only

Rover Mowers Limited warrant that this machine is free from defects in material and workmanship. This warranty is limited to making good or replacing any part which appears upon inspection by the manufacturer or his agent to be defective in material or workmanship.

The engine used to power this machine is warranted by the manufacturer whose warranty statement has been included with the machine. As the warranty for the engine may differ from the warranty for the other components, you are advised to read the engine manufacturer's warranty carefully.

For other items this warranty shall apply for a period of 12 months from date of purchase except for products used commercially where the warranty is limited to 90 days.

This warranty does not obligate the manufacturer, his agents or dealers to bear the transport costs incurred in the repair or replacement of any defective part.

This warranty excludes fair wear and tear, or any damage caused by misuse or abuse. Parts such as blades, blade bolts, v-belts and spark plugs, which can be subjected to use beyond their normal intended working capacity are also excluded.

This warranty is void if parts other than genuine have been used or if repairs or alterations have been made without the manufacturer's written authority.

The above warranty does not exclude any condition or warranty implied by the Trade Practices Act 1974 or any other relevant legislation which implies any condition which cannot be excluded.

REMEMBER:

PROOF OF PURCHASE IS THE RESPONSIBILITY OF THE OWNER AND IS NECESSARY PRIOR TO WARRANTY WORK BEING UNDERTAKEN. REPAIRS MUST BE CARRIED OUT BY AN AUTHORISED ROVER DEALER/SERVICE AGENT AND GENUINE SPARE PARTS MUST BE USED OR YOUR WARRANTY WILL BE VOID.

For your record:

Dealer's Name:

Dealer's Address:

Dealer's Phone No:

Product Model No:

Product Serial No:

Date of Purchase:

Rover Mowers Limited reserves the right to make changes of and add improvements upon its product at any time without notice or obligation. The Company also reserves the right to discontinue manufacture of any product at its discretion at any time.



Quality
Endorsed
Company

ISO 9001 Lic 10168
Standards Australia

Rover Mowers Australia
PO Box 1235
Eagle Farm, Qld 4009
Australia.

**ROVER
MOWERS LIMITED**

A.B.N. 11 000 257 303

Rover Mowers New Zealand
East Tamaki,
Auckland.
New Zealand.



RECYCLED PAPER

This Rover Owners Manual has been printed on recycled paper as a sign of Rover Mowers' commitment to Greening Australia and New Zealand.



GWAIL GROUP

Printed in Australia

Free Manuals Download Website

<http://myh66.com>

<http://usermanuals.us>

<http://www.somanuals.com>

<http://www.4manuals.cc>

<http://www.manual-lib.com>

<http://www.404manual.com>

<http://www.luxmanual.com>

<http://aubethermostatmanual.com>

Golf course search by state

<http://golfingnear.com>

Email search by domain

<http://emailbydomain.com>

Auto manuals search

<http://auto.somanuals.com>

TV manuals search

<http://tv.somanuals.com>