



SLIMLINE DE LUXE

Users Instructions

THIS CAT 1_{2H} APPLIANCE IS FOR USE
ON NATURAL GAS G20 AT A SUPPLY
PRESSURE OF 20 mbar IN GB & IE

HAND THESE INSTRUCTIONS TO THE USER

DESCRIPTION

This Royal Cozy Fires Decorative Fuel Effect gas fire has been developed to give a realistic coal burning appearance with the instant control, convenience of gas and remote operation. The appliance is switched 'ON and OFF' from a push button situated on the right hand top corner of the surround and is controlled by a fully modulated thermostat. Once the room temperature that has been selected has been reached, the gas input to the appliance is automatically reduced to low. The fire has been constructed to enable it to be installed into applications where the warmth and comfort of an open fire and high radiant heat is required. This appliance is intended for decorative purposes, the coal bed uses ceramic simulated coals to give a realistic appearance and to allow secondary air to be entrained into the bed to ensure clean combustion. An aerated single port steel burner is used running parallel across the front of the fire. A Flame Supervision Device (FSD) fitted to ensure that should the pilot flame be extinguished for any reason, (including turning off the appliance), the gas supply to the burner is cut off until a full lighting sequence is repeated. A battery operated spark generator is used to ignite an Oxy/pilot sensor (O.D.S.) which will cause the appliance to 'shut off' in the event of continued spillage occurring under hazardous or blocked flue conditions. The fire bed consists of ceramic fibre components and coals all of which are removable for cleaning purposes when required. It is important when relaying the coal bed and coals to follow the instructions correctly.

TECHNICAL DATA

TYPE OF GAS	G20 only
SETTING PRESSURE	20mbar +/- 1 mbar (cold)
GAS INPUTS (Gross)	Max 6.6 kW (22500 Btu/h)
	Min 2.83 kW (9700 Btu/h)
	Pilot 0.26 kW (890 Btu/h)

IMPORTANT NOTES

This appliance is intended for decorative purposes, it is designed and manufactured to the requirements of the BS 5258 Pt 16 : 1991 and is for use on Natural Gas Only.

All gas appliance installations must be carried out by a competent person in accordance with the Gas Safety (installation & Use) Regulations 1994 (as amended) or the rules in force and in accordance with the Manufacturers Installation Instructions. Failure to comply could lead to prosecution.

The chimney or flue (unless new) must be swept before installation. It is recommended that the appliance is serviced annually by a competent person and that the flue is checked for satisfactory clearance of products and there is no excessive build up of soot. The curing effect of heating the coals will cause an initial odour which, although not harmful, may require additional ventilation until the odour has disappeared.

Additional purpose built ventilation is not required for this appliance in GB only. For IE, ventilation is required with a minimum cross sectional area of 100 sq cms and should be checked regularly to ensure that it is free from obstruction.

The appliance has a naked flame, a fireguard conforming to BS 6539 or BS 6778 should be used for the protection of the very young, elderly and infirm. Combustible materials should not be put on or left in the hearth nor should the coal bed be used to burn rubbish or other materials.

Care must be taken on the selection of wall coverings within close proximity of the fire as some vinyl and embossed materials may become discoloured by convected heat. Soft furnishings must be kept clear from the radiant heat of the fire and from impinging the hearth area. The hearth must not be covered by any combustible materials such as carpets etc.

This fire will run for 4.4 hours on one therm of gas with the gas control on the high setting.

One type of fire front and fret suggested is shown on Page 4, this has a perforated fret to allow air to be drawn into the coal bed for combustion and over the controls for cooling purposes. If other fronts and frets are to be used they must have a minimum open area in the fret of 50 sq. cms. and 60 sq. cms. in the front. See Page 4.

This appliance is fitted with an Oxy-pilot, which in the event of the flue being blocked or hazardous conditions exist which cause the appliance to spill products of combustion, will shut 'OFF' the gas supply. If when the fire is relit the sequence is repeated the appliance must be turned 'OFF' and not used until expert advice has been obtained.

Clearance to Side

Minimum clearance required to any combustible material to the side of the appliance must be 150mm.

Clearance to Shelves

Minimum clearance to the underside of a 150mm. deep combustible shelf from the hearth must be 790mm., add 12.5mm. to this dimension for every 25mm. increase in the depth of the shelf.

To light the appliance

Press down the control button at the right top corner of the surround, a spark will be heard and the gas will light at the pilot positioned at the centre of the front simulated coal (if a spark is not heard - check battery). Hold for a period of 10-15 seconds and release - the main burner will light.

The appliance may be lit by a taper by placing the lit taper over the coal front at the approximate centre position and pressing the control button. See Fig. 1

The thermostat situated behind the ashpan cover (fret) is set to a position which maintains the room at the desired comfort level, i.e. the higher the control the higher the mean temperature of the room, adjustments to this control will take time for the effect in the room to be apparent.

To turn off the appliance and pilot - lift the control button.

IMPORTANT: After turning OFF or if the pilot and the appliance goes out for any reason, wait for three minutes before attempting to relight.

Dismantling the Firebed for Cleaning

Allow the appliance to cool for 1 hour before handling any components.

Remove the coals, lift off the simulated coal front, remove the two Tee shaped burner inserts together with the coal support shelf. Take out the lower fibre back and side cheeks. Once the fibre components have been removed from the firebed check that no debris has fallen in or lodged on the burner slot. If any debris is present it may be easily removed by using a small piece of thin cardboard to ease out any foreign matter. Be sure to remove the cardboard after use. Any sooty deposits or debris left on the coals may be removed by using a soft brush or by careful use of a vacuum cleaner. Any sooty deposit on the thermocouple probe can be cleaned of using a non fluffy cloth.

It is very important that the coals and the coal bed components are laid as shown, no extra coals or material may be used. If any of the items become lost or damaged, replacements must be obtained before further use of the appliance.

Relaying the Coal Bed

Fit the coal support shelf and simulated coal front Fig. 1.

Referring to figures 1, 2, 3 and 4 lay the coals as follows:

1. Place 3 medium round between the simulated coal front and the support shelf with 1 triangular coal placed on either side of this row, Fig. 2.
2. Place 2 medium/round between the centre gaps of the coal support shelf with 1 medium/small coal placed at each side, Fig. 3.
3. Place the 8 small between the gaps formed in the previous coal layout, Fig. 4.

Cleaning the Front of the Appliance

The fire must be turned off and allowed to cool. The paintwork should be cleaned with a soft cloth or soapy water. The brass trim has a clear lacquer coating to preserve the polished finish. **DO NOT USE ABRASIVES OR METAL POLISH.**

Spares and Service

For spares and service contact your local supplier, installer or direct to the manufacturer stating that the appliance is a Slimline De Luxe and quote the serial number from the data label located on the fascia panel.

If the fire fails to light and no spark is heard – in the first instance a replacement battery should be obtained and fitted. To replace battery – remove heatshield from the spark generator and slide battery forward. Ensure negative connection is uppermost on the replacement and slide into the connector receptacles. Refit the heatshield.

Advantage should be taken of regular servicing and inspection of gas appliances to ensure their continued safe operation.

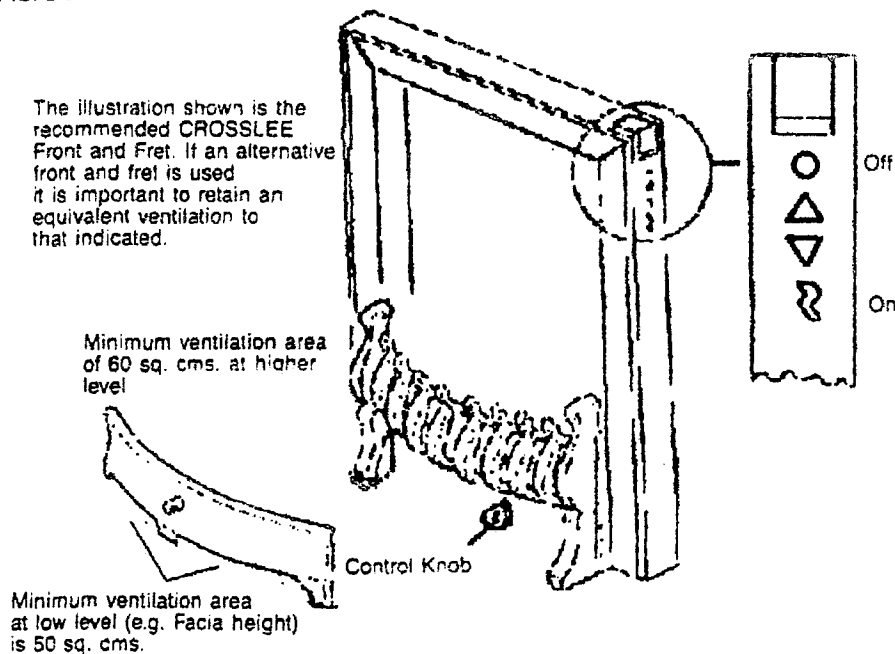
Short Parts List

Description

Coal Support Shelves
Front Simulated Coal
Coals
Complete Fibre Back

Crosslee Part Number

42587
42769
0102 078 01361
0102 078 00841



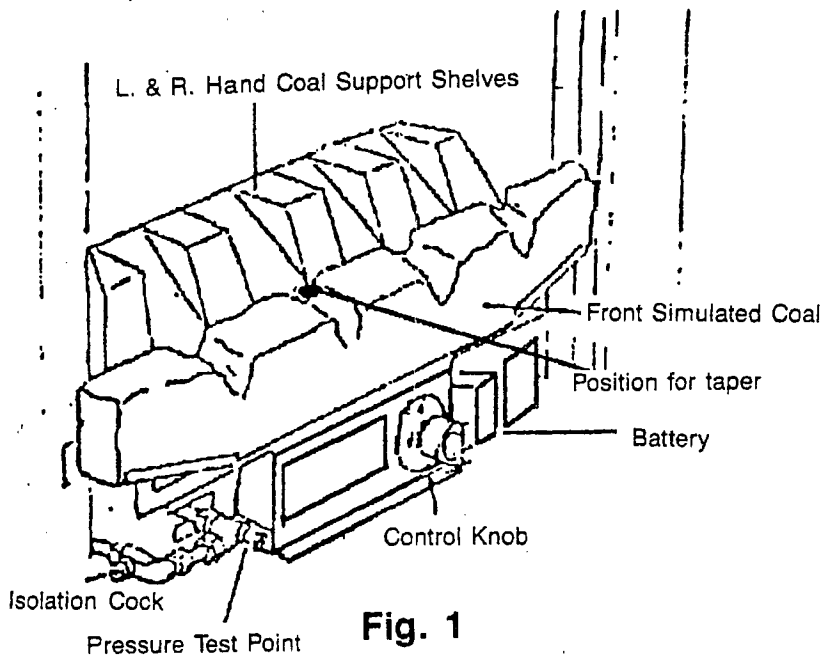


Fig. 1

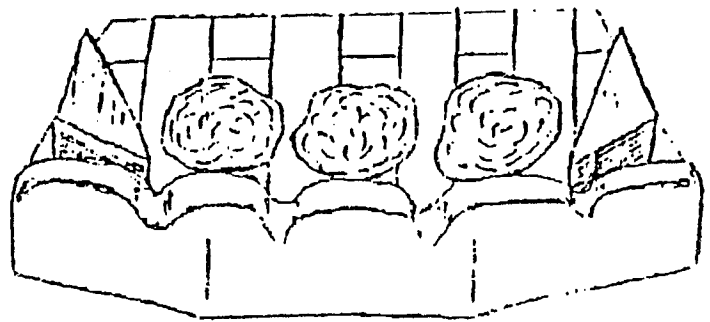


Fig. 2

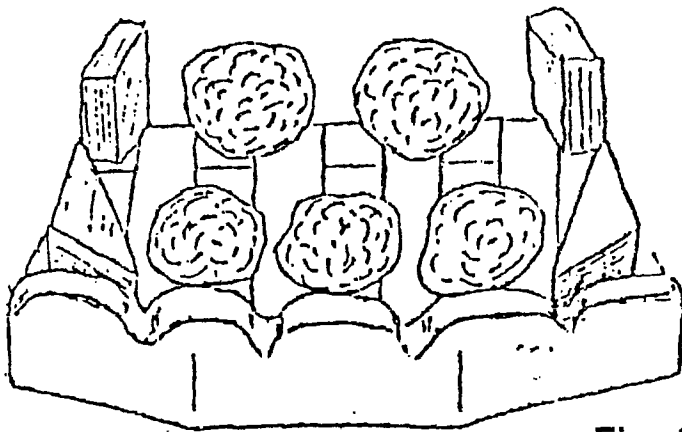


Fig. 3

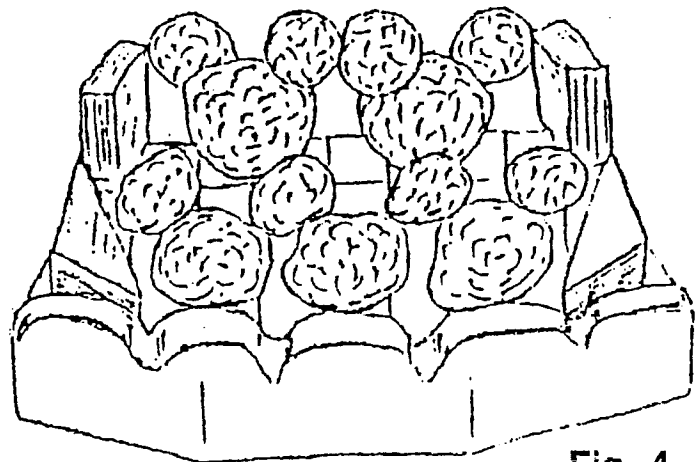


Fig. 4

REGISTRATION RECORD

Purchaser's Name _____

and Address _____

Supplier's Name _____

and Address _____

Installer's Name _____

and address _____

Date of Purchase _____

Serial Number _____

MAXIMUM HEAT INPUT

6.6 kW - 22500 Btu/h (Gross)

Royal Cozyfire are manufactured by:

CROSSLEE plc
Aber Park Industrial Estate,
Flint, Flintshire. CH6 5EX.

Spares: 01422 203963 Fax: 01422 204475
Service: (GSA Ltd.) 01703 516611



SLIMLINE DE LUXE

ROYAL SOVEREIGN

Installation and Servicing Instructions

THIS CAT 1₂H APPLIANCE IS FOR USE
ON NATURAL GAS G20 AT A SUPPLY
PRESSURE OF 20 mbar IN GB & IE

G.C. No. 32 - 179 - 01

HAND THESE INSTRUCTIONS TO THE USER

DESCRIPTION

This Royal Cozy Fires Decorative Fuel Effect gas fire has been developed to give a realistic coal burning appearance with the instant control, convenience of gas and remote operation. The appliance is switched 'ON and OFF' from a push button situated on the right hand top corner of the surround and is controlled by a fully modulating thermostator thermostat. Once the room temperature that is selected has been reached, the gas input to the appliance is automatically reduced to low. The fire has been constructed to enable it to be installed into applications where the warmth and comfort of an open fire and high radiant heat is required. This appliance is intended for decorative purposes, the coal bed uses ceramic simulated coals to give a realistic appearance and to allow secondary air to be entrained into the bed to ensure clean combustion. An aerated single port steel burner is used running parallel across the front of the fire. A Flame Supervision Device (FSD) fitted to ensure that should the pilot flame be extinguished for any reason, (including turning off the appliance), the gas supply to the burner is cut off until a full lighting sequence is repeated. A battery operated spark generator is used to ignite an Oxy/pilot sensor (O.D.S.) which will cause the appliance to 'shut off' in the event of continued spillage occurring under hazardous or blocked flue conditions. The fire bed consists of ceramic fibre components and coals all of which are removable for cleaning purposes when required. It is important when relaying the coal bed and coals to follow these instructions correctly.

This appliance is suitable for installations into the following flues:

- 7" minimum diameter flues (CLASS 1),
- 5" minimum diameter flues (CLASS 2),
- Pre-cast flues to BS 1289 Pt. 1 1986.

The installations must always be used in conjunction with a suitable hearth and surround.

TECHNICAL DATA

Overall height of fire	=	602 mm.
Overall width of fire	=	510 mm.
Minimum height of opening required	=	550 mm.
Minimum width of opening required	=	330 mm.
Forward projection from opening (with front & fret)	=	120 mm.
Depth behind opening	=	85 mm.

TYPE OF GAS G20 Only

Supply Pressure 20 mbar +/- 1 mbar (Cold)

GAS INPUTS (Gross)

Thermostat settings Max. 6.6 kW (22500 Btu/h)
 Min. 2.83 kW (9700 Btu/h)

Pilot 0.26 kW (890 Btu/h)

Main Injector Type

Bray Cat 82/600

Pilot

OP. Oxy/Pilot NG 9022

GAS CONNECTION

8mm. O/D Tube

WEIGHT 13kg. without front & fret 18kg. with front & fret.

Installation Requirements and Regulations

The appliance must be installed by a competent person in accordance with the current Gas Safety (Installation and Use) Regulations 1994 (as amended) or the rules in force and in accordance with the manufacturers' instructions, failure to do so could lead to prosecution.

The following are the relevant Codes of Practice and British Standards:-

The Building Regulations issued by the Department of the Environment
The Building Standards (Scotland) (Consolidation) Regulations issued
by the Scottish Development Department.

BS 8303 1986	BS 5440 Pt. 1 1990 & Pt. 2 1989
BS 1251 1987	BS 5871 Pt. 2 1991 & Pt. 3 1991
BS 6891 1988	BS 6461 Pt. 1 1984
BS 715 1993	BS 1289 Pt. 1 1986
BS 7566 Pts. 1-4 1992	

Important Notes

The gas valves of this appliance will become hot after prolonged running and it is recommended that for the protection of the very young, elderly and infirm a fireguard conforming to BS 6539 or BS 6778 is used.

The type of front and fret recommended is shown in the instruction Fig. 16, it has a perforated fret to allow air to be drawn into the coal bed for combustion and over the controls for cooling purposes. If other fronts and frets are to be used they must have a minimum open area in the fret of 50 sq. cms. and 60 sq. cms. for the front.

Precautions should be taken to prevent any damage being caused to surrounding soft furnishings or decor e.g. many embossed vinyl wall coverings may become discoloured if located too close to the appliance. Clearances required for combustible shelves are shown in Fig. 1.

Precautions should be taken to ensure when the appliance is installed into a pre-cast flue the chimney breast is protected to prevent the plaster etc., cracking through excessive temperatures.

A hearth must always be provided to project forward of the opening a minimum of 350mm. depth and 150mm. on either side of the fire opening and must be of a minimum thickness of 12mm. with a perimeter height of 50mm. This is to ensure combustible materials, carpets etc., are not in close proximity to the radiant surfaces. See Fig. 1.

The area under the firebox must have a minimum non-combustible thickness of 25mm.

In most installations a back panel will be required, this will also need a minimum fire resistance rating Class 1 (100°C).

Additional purpose built ventilation is not required for this appliance in GB only, for Ireland (IE) ventilation is required with a minimal cross sectional area of 100 sq. cms. and should be checked regularly to ensure that it is free from obstruction.

The chimney or flue (unless new) must be swept and the area at the base must be clear of debris before installation, any external ventilation or underfloor air supply must be sealed. The flue should be checked annually when the appliance is serviced for spillage (smoke test) and that there is no excessive build up of soot and debris.

Fire Surround and Opening Requirements

Check that the chimney and flue structure are sound and conform to the following flue requirements:

a) A conventional brick or stone chimney with a minimum effective cross sectional dimension of 225 x 225mm., lined flue with a minimum diameter of 175mm. having a chairbrick and throat forming lintel conforming to BS 1251 or a builders opening measuring 540mm. high x 400mm. wide with a depth of 210mm. minimum for debris collection. If a chairbrick is fitted, a minimum depth requirement for the fire is shown in Fig. 2 with a minimum effective height of 3 metres for the flue.

b) A twin walled metal flue box manufactured to BS 715 with a twin walled 125mm. diameter flue and a minimum effective height of 3 metres. See Figs. 3 & 4.

c) A pre-cast flue conforming to the requirements of BS 1289 Pt. 1 1986 and BS 1289 1975 including properly constructed pre-cast flues with a cross sectional area of 13000sq. mm. and a minimum effective height of 3 metres. See Figs. 5 & 6.

Important

Any of the above flues must not be restricted by dampers, register plates or incorrect flue terminals. The flue must only service a single appliance and not have any branches or traps which may impede the natural draught. Any flue damper plate or restrictors shall be removed or fixed in the fully opened positions.

The front and base of the fire opening must be flat and square to ensure a good seal with the appliance, this is to ensure that there is no reduction in draught through the fire which may cause a spillage to occur.

Clearance to Side (timber surrounds etc.)

Minimum clearance required to any combustible material to the side of the appliance must be 150mm. Fig. 1.

Clearance to Shelves

Minimum clearance to the underside of a 150mm. deep combustible shelf from the hearth must be 790mm. Add 12.5mm. to this clearance for every 25mm. increase in depth of shelf. Fig. 1.

Contents Check List

Fire Box Assembly c/w Burner Assembly
Brass Trim (held in place by magnets)
Fibre Backs Upper & Lower
L. & R. Hand Side Cheeks
Simulated Coal Front
Coal Support Shelf

Coal Pack including:-

Coal Pack A - 5 Medium
Coal Pack B - 8 Small
Coal Pack C - 2 Triangular
Coal Pack D - 2 Med/Small

Fitting Kit:-

Screws & Wall Plugs, Cable Kit, Isolation Elbow, Bundy.
Installation and Servicing Instructions.
Users Instructions.

Installation of the Appliance

Check that the chimney conforms to the required specifications as previously stated. Examine the condition and carry out any remedial work as necessary, if the flue has been used for solid fuel it should be swept and a smoke test carried out to check that satisfactory smoke clearance has been established. If all the smoke does not be drawn into the flue, pre-heat the flue with a blow torch or similar and re-check. If there is any uncertainty examine for the cause and if necessary seek expert advice.

Gas Supply

BEFORE COMMENCING WORK, TURN OFF ANY APPLIANCES THAT ARE FED BY THE METER AND ISOLATE THE GAS SUPPLY BY TURNING OFF AT THE METER.

The gas connection to this appliance is made with 8mm. o/d rigid or semi rigid tube to a pressure test elbow situated on the L/H side of the burner as shown in Fig. 10. It is advisable to provide a means of isolating the gas supply to the appliance for servicing using the isolation cock supplied. Provision is made i.e. knock-out blanks for entry into the box in both L. & R. hand rear corners and at the L. & R. hand sides although for ease of installation, it is recommended that the gas feed is made from the left hand side. Any pipe used under the tray must be in rigid tube such as bundy, suitable pieces of bundy are included in the fitting kit to assist the installer.

Where a concealed gas supply is used, the installer is reminded of the requirements of BS 6891 - 1988 dealing with enclosed pipes. The Standard requires that when a gas pipe is fed through a wall, the pipe should be enclosed in a tight sleeve to protect against failure caused by movement and shall be constructed to prevent passage of gas either between the pipe and sleeve or sleeve and wall.

Where a gas supply pipe enters the box in any of the positions stated, the hole around the pipe should be sealed with a silicone sealant or similar to prevent ingress of air into the flue. If a concealed gas supply is not used and the supply is brought in across the front of the appliance, a cut-out in the Fire Front will be necessary. Permanent sealants e.g. fire cement etc. should not be used as these would prevent removal of the firebox if so required.

Dismantling the fire prior to Installing

It will only be necessary to dismantle the burner from the firebox before installing, if the cable fixing kit is to be used.

Fixing to Back Panel The appliance can be installed by marking the fixing holes through the outer frame, drilling and plugging and entering the screws through the clearance holes in the frame. See Figs. 8, 18 & 18A.

Fixing with cable fixing kit Remove canopy, fibre and outer frame as above, undo the thermostat sensor bracket fixing screws, and battery heat shield, undo the burner fixing screws, lift and pull forward the burner assembly and tap - taking care not to over-stretch the electrical connections. See Figs. 9, 9A, 18 & 18A.

Important

THE RESTRICTOR PLATE MUST NOT BE USED WITH 5" OR PRE-CAST FLUES

The restrictor is for use with 7" (175mm.) diameter flues only.

The appliance is supplied without a Flue Restrictor fitted in position i.e. suitable for 5" or pre-cast flues.

The restrictor plate is fitted prior to installing the firebox and is held in position with the two self tap screws provided. See Fig. 9.

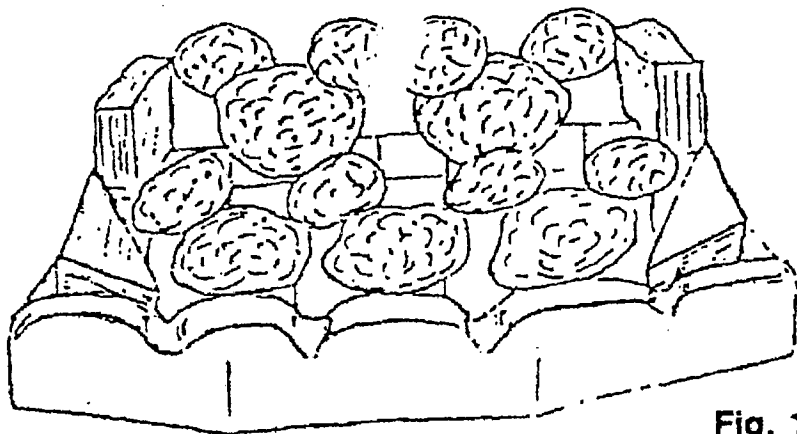


Fig. 13

Fig. 14

3.5 ± 0.5mm.



Fig. 15



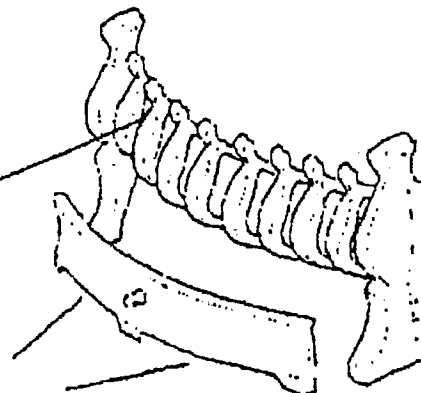
Pilot Filter

The illustration shown is the recommended CROSSLEE Front & Fret. If an alternative Front & Fret is used it is important to maintain the equivalent ventilation shown.

Fig. 16

Minimum ventilatio area of 60 square cms. at higher level

Minimum ventilation area at low level (e.g. Facia height) at 50 square cms.



Identification and Short Parts List

For spares contact the manufacturer at the telephone number shown.

IDENT	DESCRIPTION	CROSSLEE No.
1	Thermo electric micro switch	42542
2	Spark Ignition micro switch	42543
3	Gas Protector Valve	42541
5	Control Knob	40232
6	Thermoselector	42540
8	Oxy-Pilot Burner Assembly	42282
9	Spark Generator	42545
10	9 volt Battery PP3S	
11	Ventbox Assembly	42552
12	Outer Frame	42690
18	Side Cheek R.H	
19	Side Cheek L.H	0102 078 00841
20	Fibre Back Panel Lower	
21	Fibre Back Panel Top	
26	Front Simulated Coal	42769
27	Coal Support L. & R Hand	42587
33	Brass Plated Trim	42548
34	canopy	42625
35	Main Injector	41200
	Set of Coals	42658

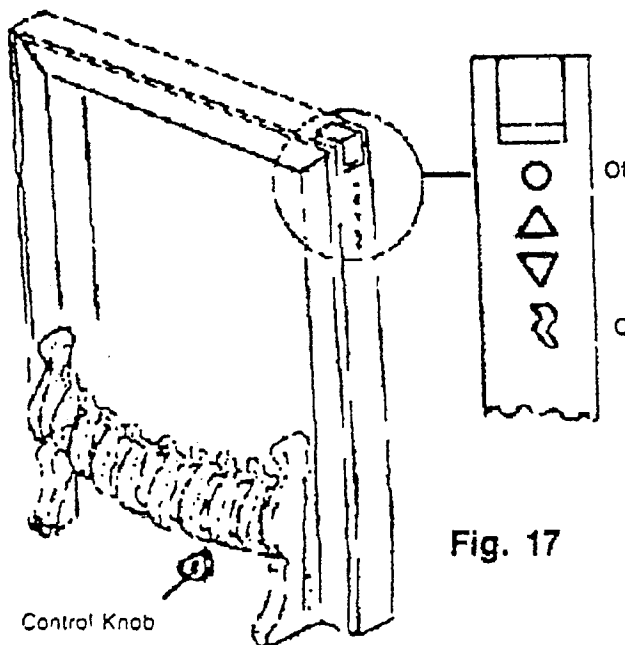


Fig. 17

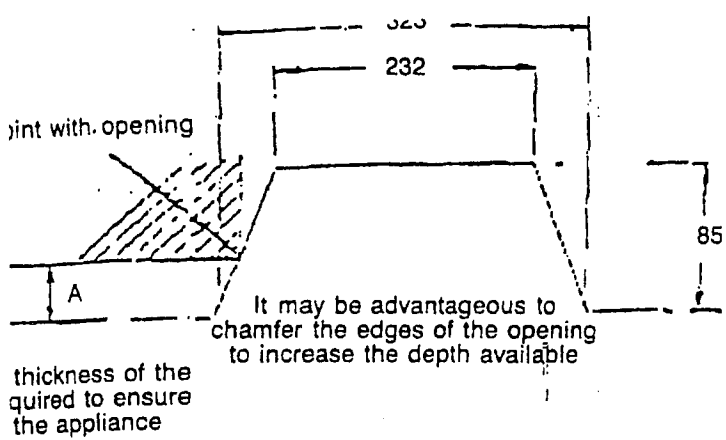


Fig. 7

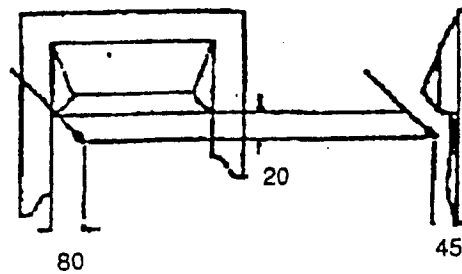


Fig. 8A

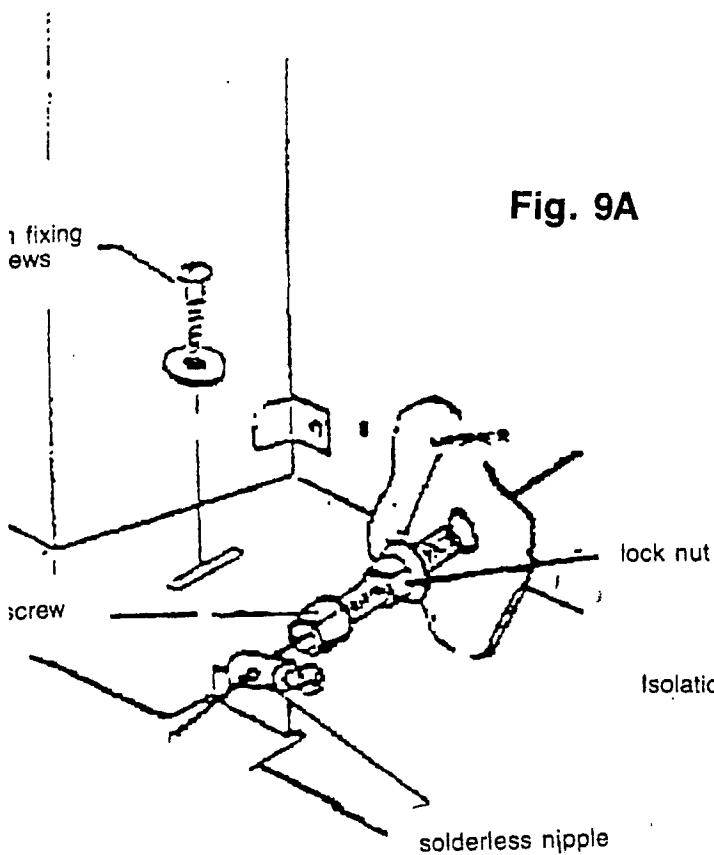


Fig. 9A

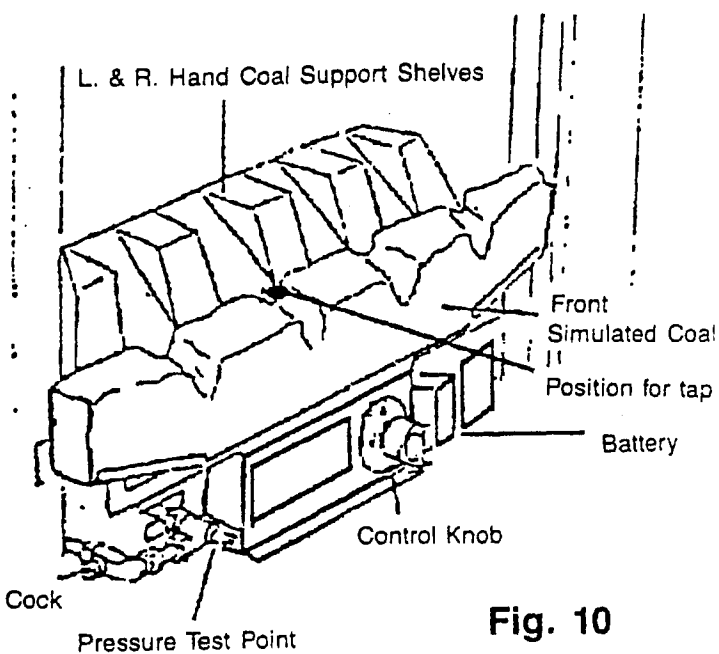


Fig. 10

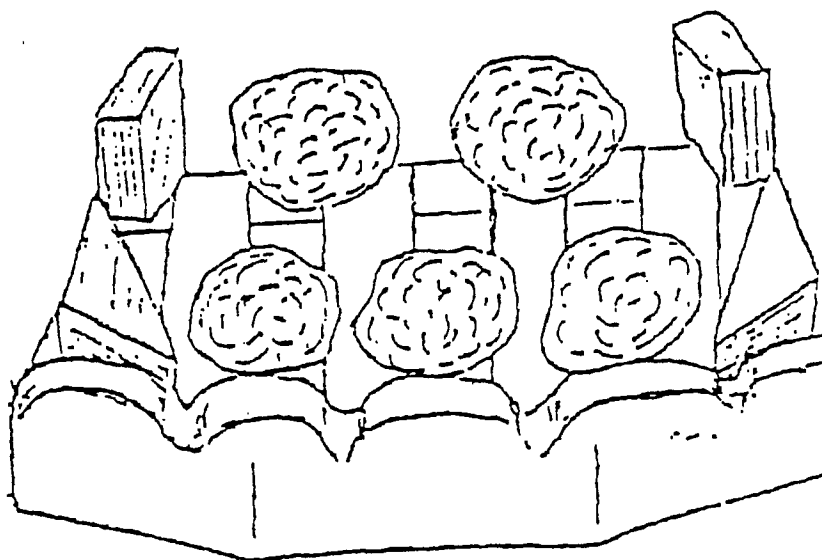


Fig. 12

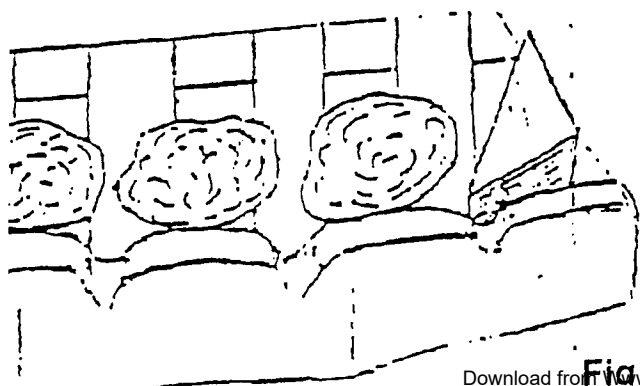


Fig. 11

Hatched area must be non-combustible and flat to ensure a seal around the appliance

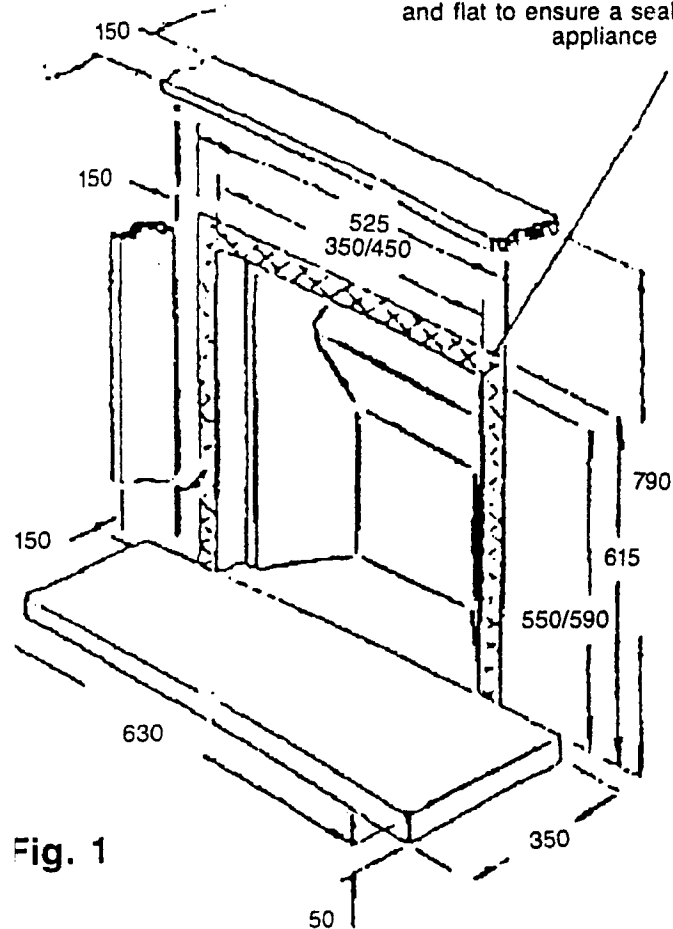


Fig. 1

Typical Chairbrick Layout to BS 8303 Components

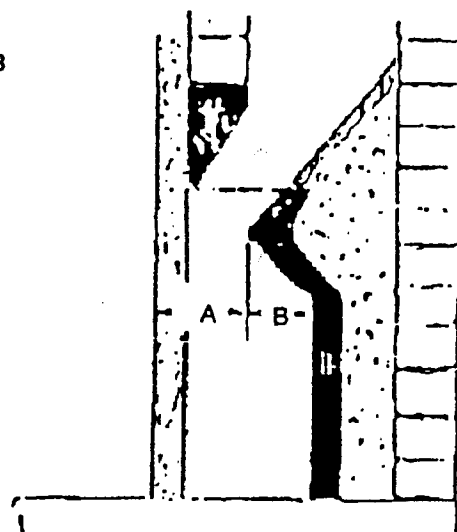


Fig. 2

Depth A is to be a minimum of 150mm. from the knee to the front face of the surround to satisfy the debris collection requirement.
Depth B is normally 70mm.
If no chairbrick is fitted, the minimum distance required between the rear of the opening and the front face of the surround is 21mm.

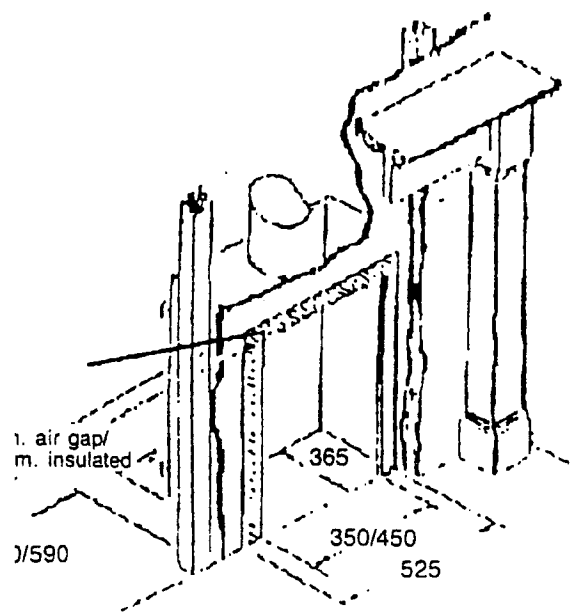


Fig. 3

Installation Using a 5" diameter metal Fluebox

When the metal fluebox is to be built in as a false chimney breast using the timber studwork with a plaster board facing, the metal flue box should be enveloped with insulation material such as rockwool or similar to prevent build-up of heat within the structure (the top surface must have a minimum of 25mm. of insulation material under all conditions)

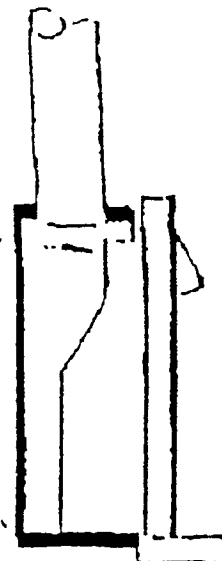
It is important that both the back panel and the appliance are sealed to the metal fluebox to prevent any leakage of the flue products or reduction of flue draught

This hatched area must be a non-combustible material and flat to ensure a seal around the appliance

Care must be taken to ensure the flue spigot of the appliance does not impede the flue outlet of the metal flue box

Fig. 4

The area beneath the metal flue box must be a non-combustible material 25mm. thick



re-Cast Flue Installations

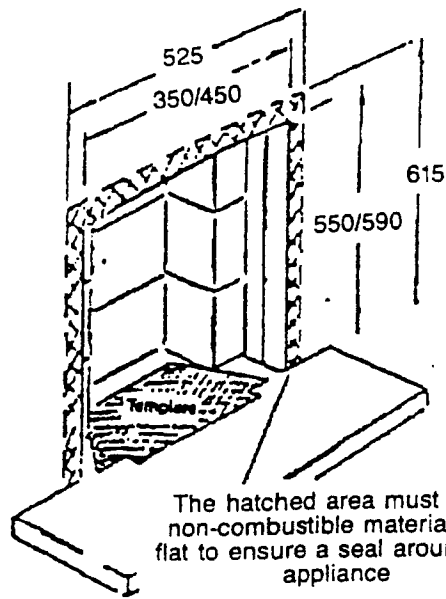


Fig. 5

The hatched area must be a non-combustible material and flat to ensure a seal around the appliance

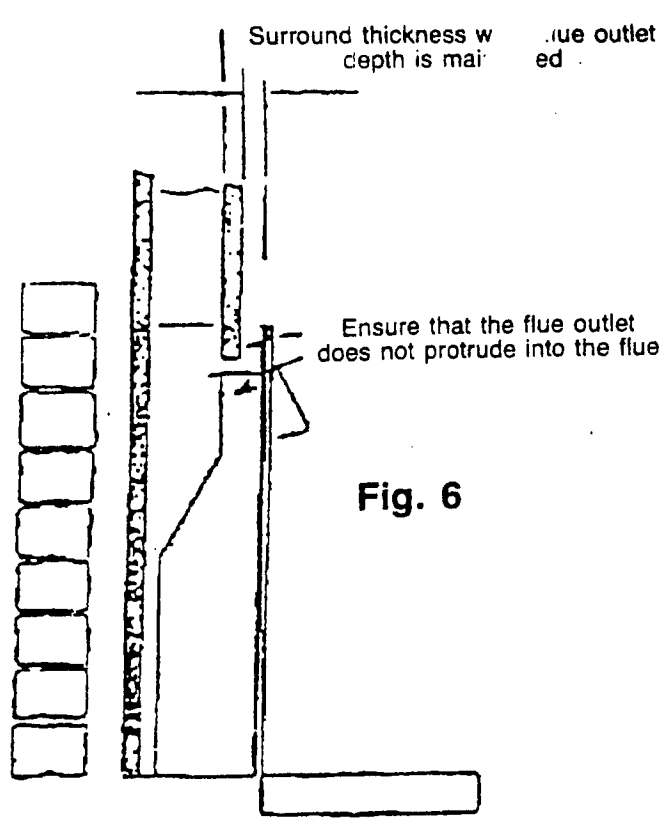


Fig. 6

Fig. 9

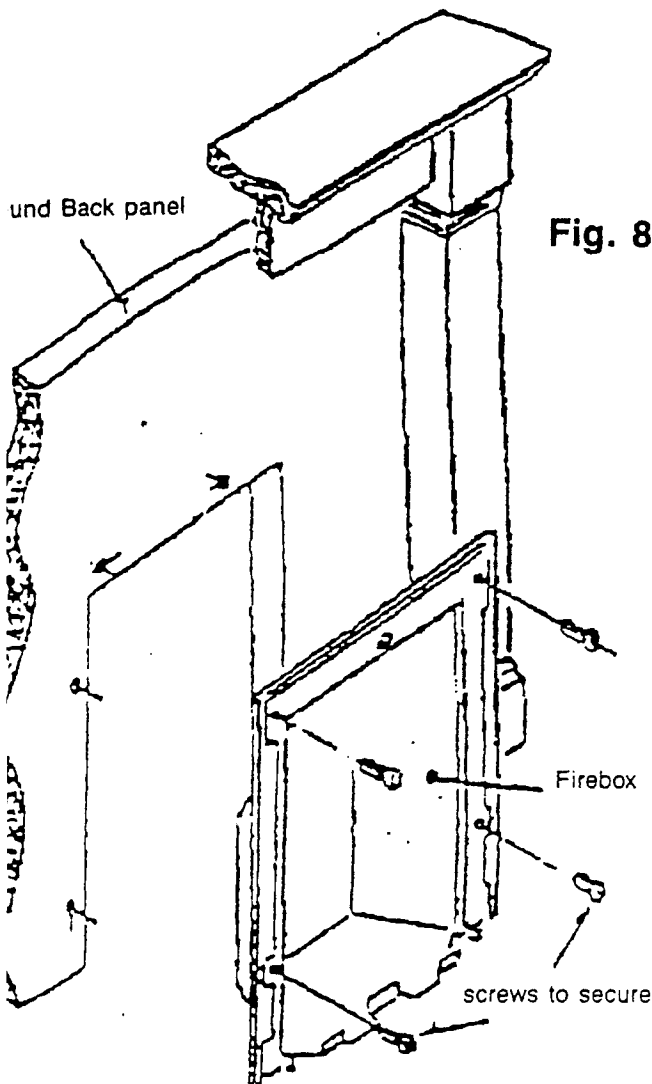
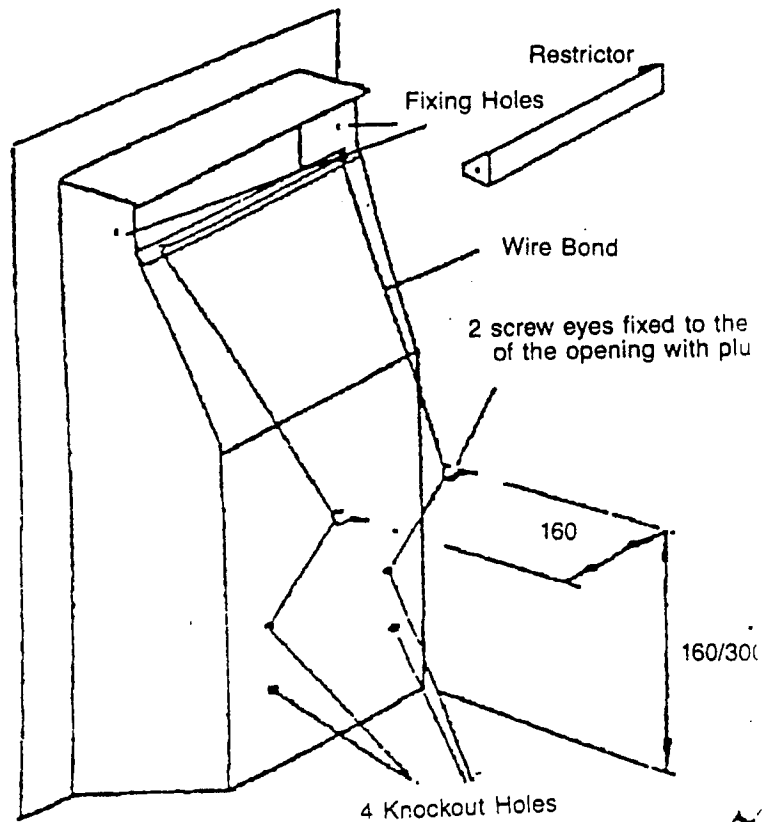


Fig. 8



Installing the Appliance in Position

When the gas supply pipe has been laid to the position required, the ventbox should be fitted and sealed to the chimney correctly, this is to prevent any seepage of flue products or to prevent any ingress of air into the flue from anywhere other than the flue outlet of the fire. The easier method of installation is through the holes provided in the front face of the vent box - this method will require drilling into the back panel of the surround. See Fig. 8. Where it is undesirable to deface or damage the back panel, a cable fixing kit is provided which can be fastened to the inner walls of the opening and the back of the box, See Figs. 9 & 9A.

Before offering the appliance into the opening, the hearth should be protected from damage or scratches that may occur during installation.

When the burner has been removed to facilitate the cable fixing kit, reassemble in reverse order to the instruction on page 5, taking care to fit the push button assembly correctly and ensure the electrical connections are in place - complete the gas connection. Refit the fibre components previously removed, refit the outer frame, canopy and thermostat sensor box.

Fit the battery.

Note: The complete installation should be tested for Gas soundness.

Fit the brass plated trim in position using the magnets located on the surround and remove the plastic coating from the finish.

Laying the Coal Bed

Fit the coal support shelf and simulated coal front. Fig. 10.

Referring to figures 10, 11, 12 and 13 lay the coals as follows:-

1. Place 3 medium round between the simulated coal front and the support shelf with 1 triangular coal placed on either side of this row. Fig 11.
2. Place 2 medium round between the centre gaps of the coal support shelf with 1 medium/small coal placed at each side. Fig. 12.
3. Place the 8 small between the gaps formed in the previous coal layout. Fig. 13.

Checking Operation of Fire

Turn on the gas supply at the meter and to the appliance at the isolating cock. Purge the air to the appliance. Depress the control button situated on the top right corner of the surround. Check that the electrode is sparking between the tip of the thermocouple and the electrode, continue until a pilot ignition is established - hold for a further 10-15 seconds - release and the main burner will light, check that the flame picture is satisfactory. Rotate the thermosteator and ensure the flame varies between low and high. Lift the control button to the OFF position and ensure that both the pilot and main burner extinguish.

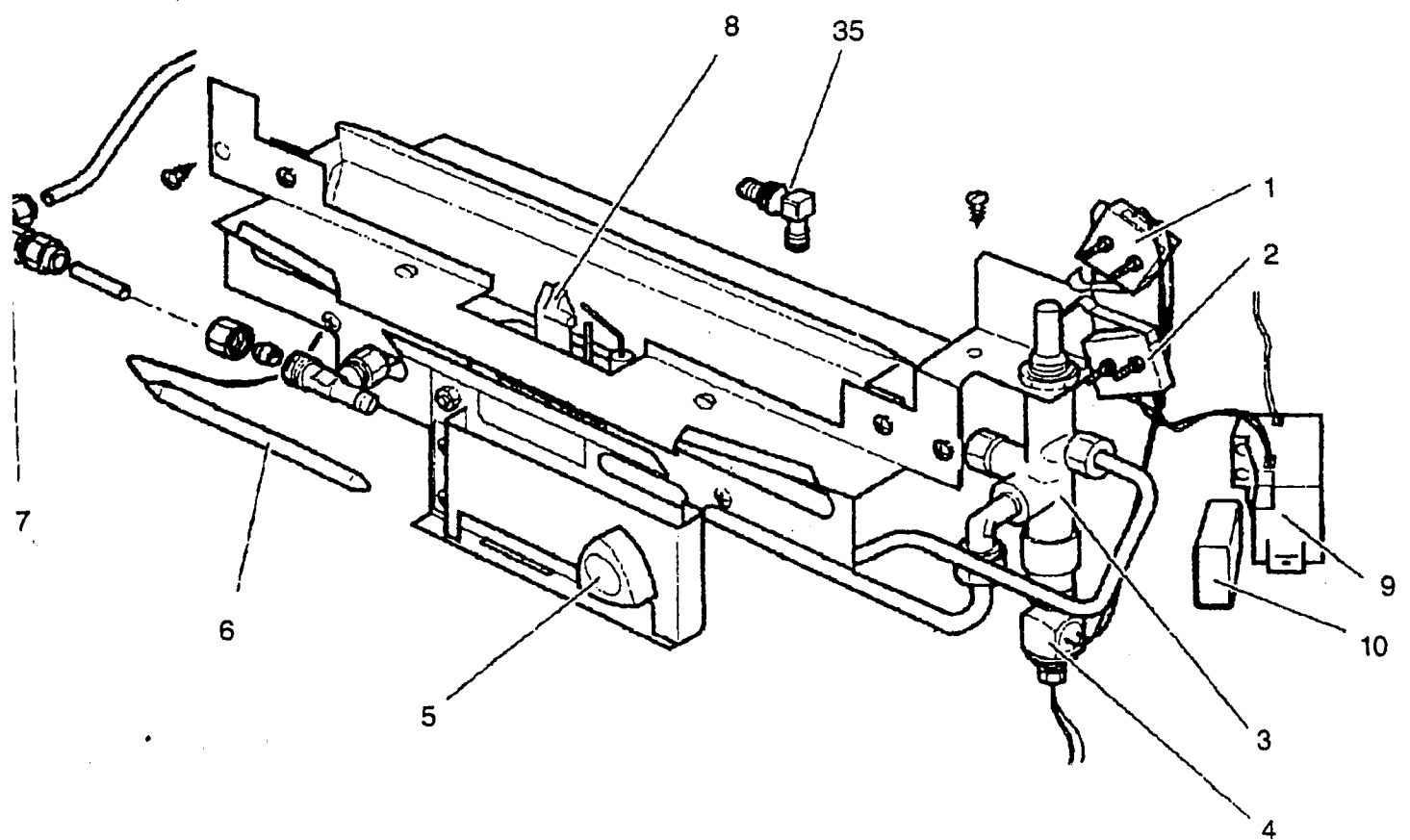


Fig. 18

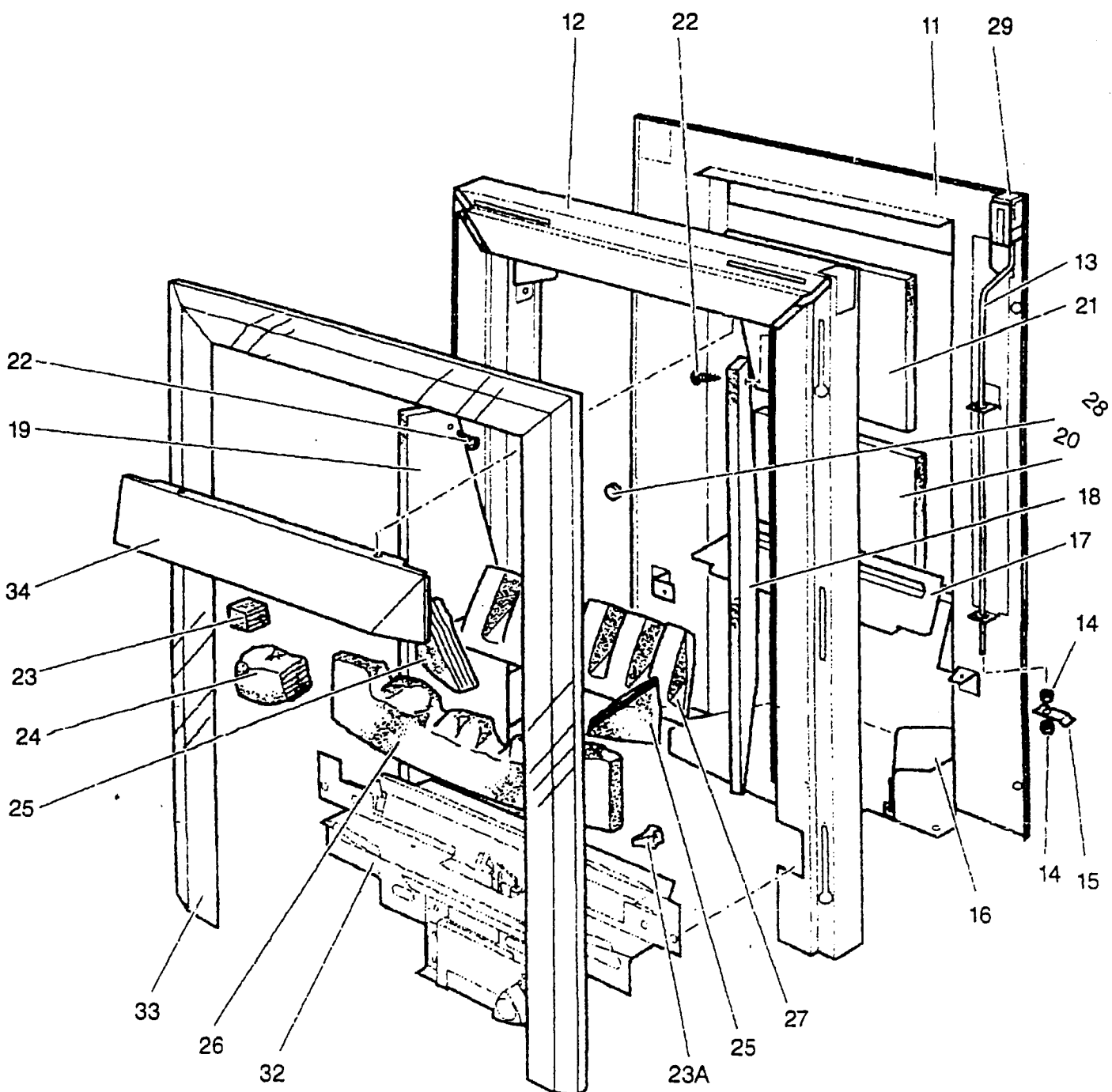


Fig 18A

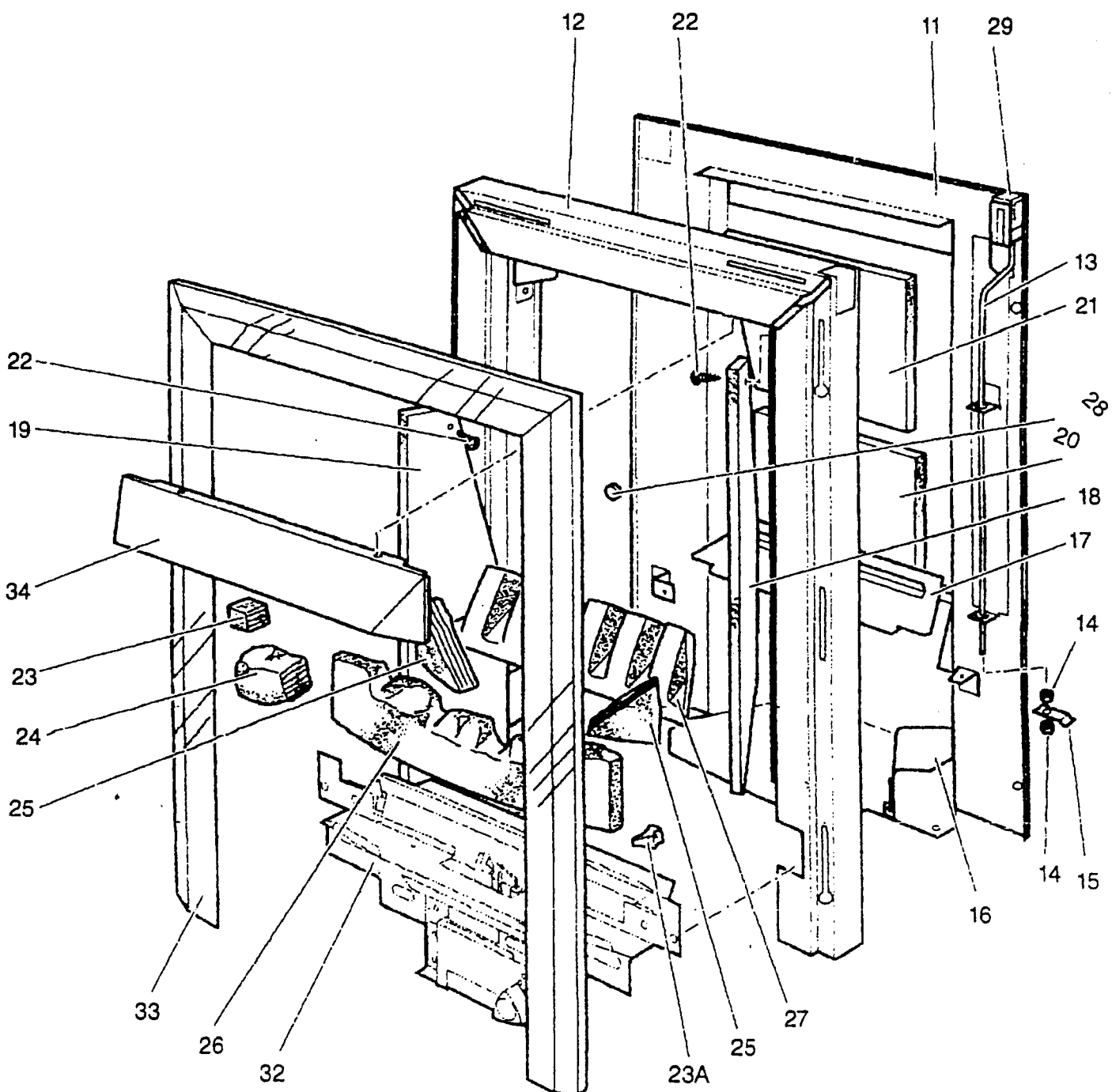


Fig 18A

REGISTRATION RECORD

Purchaser's Name _____

and Address _____

Supplier's Name _____

and Address _____

Installer's Name _____

and address _____

Date of Purchase _____

Serial Number _____

Please retain this section with any components which fail under guarantee.

MAXIMUM HEAT INPUT

6.6 kW - 22500 Btu/h (Gross)

Royal Cozyfire are manufactured by:

CROSSLEE PLC

02411

Aber Park Industrial Estate,
Flint, Flintshire. CH6 5EX

Spares Tel:01422 203963 Fax:01422 204475
Service: (GSA Ltd) 01703 516611
Technical Line (01422) 200600

REGISTRATION RECORD

Purchaser's Name _____

and Address _____

Supplier's Name _____

and Address _____

Installer's Name _____

and address _____

Date of Purchase _____

Serial Number _____

Please retain this section with any components which fall under guarantee.

MAXIMUM HEAT INPUT

6.6 kW - 22500 Btu/h (Gross)

Royal Cozyfire are manufactured by:

CROSSLEE PLC

02411

Aber Park Industrial Estate,
Flint, Flintshire. CH6 5EX

Spares Tel:01422 203963 Fax:01422 204475
Service: (GSA Ltd) 01703 516611
Technical Line (01422) 200600

Free Manuals Download Website

<http://myh66.com>

<http://usermanuals.us>

<http://www.somanuals.com>

<http://www.4manuals.cc>

<http://www.manual-lib.com>

<http://www.404manual.com>

<http://www.luxmanual.com>

<http://aubethermostatmanual.com>

Golf course search by state

<http://golfingnear.com>

Email search by domain

<http://emailbydomain.com>

Auto manuals search

<http://auto.somanuals.com>

TV manuals search

<http://tv.somanuals.com>