



OWNER'S MANUAL

**BDH-450 / BDH-550 BUCKETLESS
DEHUMIDIFIER**

BDH-450 / BDH-550



BUCKETLESS DEHUMIDIFIER

Read and retain these instructions for future reference

**For any Customer Support needs, please choose
the Support tab on www.royalsovereign.com**

Royal Sovereign International Inc.

Download from www.Somanuals.com. All Manuals Search And Download.

BUCKETLESS DEHUMIDIFIER

Model BDH-450 / BDH-550

INTRODUCTION

Thank you for choosing Royal Sovereign to provide you and your family with premium “Air Comfort” solutions for your home, apartment, or office. This Dehumidifier can be set-up in just minutes and if properly maintained, will give you many years of trouble free operation. This manual will provide you with valuable information necessary for the proper care and maintenance for your new appliance. Please take a few moments and read the instructions thoroughly.

CONTENTS

	Page
General use	4
Precautions for Use	4
Operation	5~6
Disposing of the collected water	7
Maintenance	8
Troubleshooting	9
Specifications	10
Warranty	11
Contact information	12
Página en Español	13

GENERAL USE

1. After unpacking the dehumidifier, wait 2 hours before using it. Common sense and caution must be used when installing, operating and maintaining any appliance.
2. This appliance should be used by adults only. Do not allow children to play with the appliance. Do not leave children unattended in an area where the appliance is operating. Do not allow them to sit or stand on the appliance.
3. This appliance is designed to dehumidify domestic living areas, and should not be used for other purposes. It should be operated in an enclosed area to be most effective. Close all doors, windows, and other outside openings to the room for maximum effectiveness.
4. Do not use outdoors.
5. Always remove the plug from the socket before performing maintenance operations, cleaning or when the dehumidifier will not be in used for an extended period.
6. Do not place heavy or hot objects on the top of the dehumidifier.

PRECAUTIONS FOR USE

1. Do not store or use gasoline, oil, sulphur, or other flammable vapors and liquids in the vicinity of this or any other appliance. Do not install the appliance near source of heat.
2. The appliance must not be modified in any way. Any modifications may be extremely dangerous.
3. Do not operate any appliance with a damaged cord or plug or after the appliance malfunctions, or has been damaged in any manner.
4. The use of accessory attachments is not recommended by the appliance manufacturer. It may cause injuries.
5. For your safety and protection, this dehumidifier is equipped with a three-prong grounding plug on the power cord. Do not, under any circumstances, cut or remove the round grounding prong from the plug.
6. Your dehumidifier must plug directly into a properly grounded and polarized three-prong outlet. If the wall outlet will not accept a three prong plug or if you are not sure the outlet is adequately grounded or protected by a time delay (use or circuit breaker, have a qualified electrician install the proper outlet. Do not use an extension cord or an adapter plug.
7. Never unplug the dehumidifier by pulling on the power cord. Always grip the plug firmly and pull straight out from the outlet. Do not pinch, bend, or knot the power cord.
8. The appliance should remain upright during transportation. Remember to drain the dehumidifier before transporting.

SET-UP

INSTALLING THE DRAINAGE HOSE

The drainage hose can be put out into any suitable area where water can be emptied.

The hose can be run outside through a window, in a sink, or in a drain.

Attention should be given to the flow of the drained water. Be sure it flows away from buildings and other objects that could be damaged.

CAUTION: The drainage hose MUST NOT be installed more than ten(10) feet above the floor on which the unit is standing.

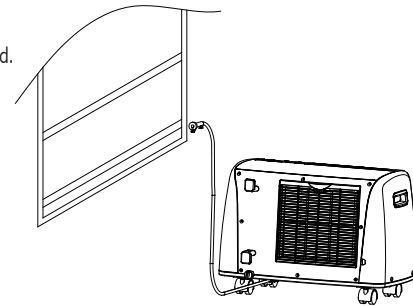
DISPOSING OF THE COLLECTED WATER

1. Continuous draining using the pump

Choose a safe location to drain the water that flows away from buildings and other objects that could be damaged.

Our specially designed vertical pump allows water removal of up to 10 feet in height making it possible to discharge the water out a window, into a drain pipe, or in a sink.

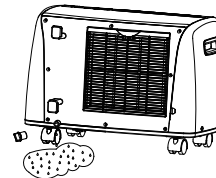
NOTE: Make sure the pump light is on when using this option.



2. Continuous draining without the pump

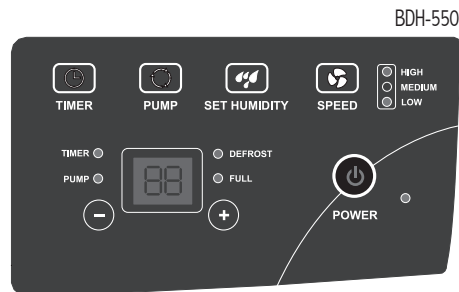
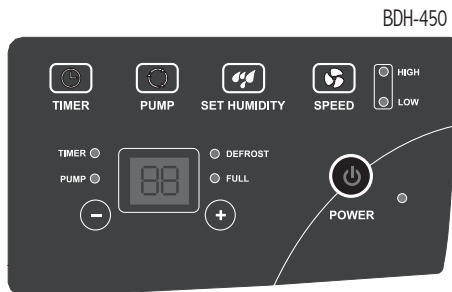
Condensed water can be drained without the use of the pump by connecting a hose to the outlet on the bottom of the unit. Remove the rubber plug and connect a hose to the unit to drain directly into a drain hole on the floor. Remember, water runs downhill. The drain point must be lower than the drain connector on the unit.

NOTE: Keep the plug in a safe place for when you choose to utilize the pump in the future.



OPERATION

Control Panel



POWER CONTROL BUTTON

The power control turns the unit on and off. When you press the control, the unit begins to operate and the light will illuminate.

TIMER PROGRAM

There are 2 different timer programs. You can set the number of hours before the dehumidifier automatically turns OFF or you can set the number of hours that will elapse before the unit turns ON. When the time is set, the timer light on the control panel will remain lit.

When the dehumidifier is turned off, you can choose to turn it on in one hour intervals.

1. Press the button on the display to turn on the timer function.
2. Press the + or - button on the display to set the desired hour.
3. The unit will turn on when the set time elapses.

When the dehumidifier is turned on, you can choose to turn it off in one hour intervals.

1. Press the button on the display to turn on the timer function.
2. Press the + or - button on the display to set the desired hour.
3. The unit will turn on when the set time elapses.

PUMP

Use the button to activate the heavy-duty pump system for active draining. Once the pump button is pressed, the pump light near the LCD Display will illuminate and the pump will automatically remove the water as it is collected.

If the pump light flashes it means that the pump is not functioning properly. Review the troubleshooting section of this manual for possible solutions.

SET HUMIDITY

The set humidity function will allow you to set the desired level of humidity you would like for the room. To set it, press the Set Humidity button and use the “+” or “-” button to set the percentage. The unit will turn on automatically when the room humidity is higher than the selected humidity.

For the best results, the humidity level should be reduced gradually. Start at the highest setting. Reduce it by 5% until the compressor turns on. Allow the unit to run at this level until it maintains this level of humidity, then continue to reduce it gradually until it is between 30% and 50% depending on your level of comfort.

After setting the desired humidity, the unit will run automatically, maintaining the desired humidity.

The Relative Humidity may be set from RH 30% to RH 80%. The operational temperature for this unit is between 40°F and 95°F. If the temperature of the room falls below 40°F, the unit will stop. This function protects the compressor, and is normal.

NOTE: The selected humidity may vary by 5%(+ or -)

FAN SPEED

Press to Speed button to select fan speed "HIGH" or "LOW". BDH-550 offers a "MEDIUM" fan speed.

DEFROST LIGHT

If ice forms on the internal coils, the defrost light will come on. The dehumidifier will automatically go into "Auto Defrost" mode. The defrosting light remains on until defrosting is completed. Once the defrosting process is finished, the unit will continue to remove humidity in the room.

WATER LIGHT

If for any reason the water is restricted from exiting the unit, the water light will be lit. Review the troubleshooting section of this manual for possible solutions.

MAINTENANCE

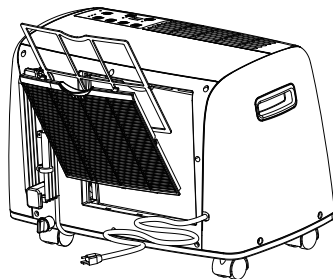
Always unplug the unit from the wall outlet before beginning cleaning.

The unit is equipped with a washable filter. Follow the instruction below to remove and clean it.

Cleaning the Air Filter

If the filter is dirty, air circulation is compromised and the efficiency of the dehumidifying decreases. It is good practice to clean the filter at regular intervals. The frequency depends on the duration and conditions of operation.

1. On the back of the dehumidifier, remove the filter by gently pulling the handle on the grille forward.
2. Use a vacuum cleaner to remove dust accumulations from the filter. If the filter is very dirty, wash in warm water and rinse several times.
3. After washing the filter, allow it to dry completely before replacing it.



TROUBLESHOOTING

Never try to repair or dismantle the dehumidifier yourself. Tampering with the unit may result in the loss of warranty and can endanger the both people and property.

Trouble	Cause	Solution
The unit does not operate	No power supply Unit is not turned on Humidity is set higher than room humidity	Plug power cord firmly into outlet and check fuses for that room Turn the unit on Set the humidity level on a lower percentage
Water light is lit	There is a blockage from the flow of water in the unit	Make sure pump is turned on Check the hose for crimps or blockage Make sure the height of the hose is below 10 ft
Low moisture removal	Air filter is dirty and or blocked The room temperature is below 40° F Poor air circulation or obstruction Humidity is set higher than the room humidity	Clean the filter Increase the room temperature Improve the airflow by moving unit away from anything that obstructs the airflow Set the humidity percentage to a lower percentage
Relative Humidity setting not being reached after a long period of operation	There are windows or doors opened. Area/room is too large for the capacity of the dehumidifier.	Check to see the windows and doors are closed. Change the location of the dehumidifier with-in the room
Defrost Light is On	The temperature in the room is below 40° F Air filter is dirty	Raise the room temperature above 40° F Remove and clean the air filter
The appliance does not work since the last switch off	The safety device has been activated	Wait 3 minutes for this to pass

SPECIFICATIONS

- Figures noted in the contents are for reference only; variation may result due to the application in different countries or regions, and shall be based on practical operation.

Description of product	Bucketless Dehumidifier	
Model	BDH-450	BDH-550
Dehumidifying capacity (Pints / Day)	45 Pint	55 Pint
Power Consumption (W)	550	750
Timer	24 Hours	
# Fan speed	2	3
Unit Dimensions	21.3 x 12.6 x 15(in) / 541 x 320 x 381(mm)	
Unit Weight	39.7 (lbs) / 18(kg)	

"Electrical waste products should not be disposed of with household waste.
Please recycle where facilities exist. Check with your local authority or retailer for recycling advice."



FULL ONE YEAR WARRANTY

Royal Sovereign warrants each Dehumidifier to be free from defects in material and workmanship. Our obligation under this warranty is limited to the repair or replacement, free of charge, when delivered to an authorized Royal Sovereign service center, of any defective part(s) thereof, other than parts damaged in transit. This warranty is in effect to the original purchaser, for a period of one year from the date of purchase and is not transferable. This warranty shall apply only if the dehumidifier is used on Alternating Current (AC) circuit, in accordance with the factory provided instructions which accompany it.

LIMITED FIVE YEAR WARRANTY (COMPRESSOR)

For a period of five years from the date of purchase, when this Royal Sovereign Dehumidifier is operated and maintained according to the instruction manual provided with the product, Royal Sovereign will supply a replacement compressor (parts only), free of charge, if the original compressor is determined to be defective in workmanship or material. If repair becomes necessary, please contact our customer service center. You will be responsible for all freight, insurance, and any other transportation charges to get the unit to our factory or service center. If shipping is required, be sure to pack the unit properly to avoid shipping damages, as we will not be responsible for such damages.

EXCLUSIONS

This warranty excludes and does not cover defects, malfunctions or failures of your Royal Sovereign Dehumidifiers, caused by repairs by unauthorized persons or service centers, mishandling, improper installation, modification or unreasonable use including incorrect voltage, acts of God, or failure to provide reasonable and necessary maintenance. This warranty is in lieu of any and all expressed warranties. In no event shall Royal Sovereign be liable for consequential or incidental damages. This limitation would not apply if you live in a location that does not permit the exclusion of limitation of incidental or consequential damages. This warranty gives you specific legal rights and you may also have other rights which vary from state to state.



ROYAL SOVEREIGN INTERNATIONAL, INC.

2 Volvo Drive Rockleigh, NJ 07647 USA
TEL : +1) 800-397-1025 FAX : +1) 201-750-1022

ROYAL SOVEREIGN INC.

1001, World Meridian II, 426-5, Gasan-dong, Geumcheon-gu, Seoul, 153-759, KOREA
TEL : +82)2-2025-8800 FAX : +82)2-2025-8830

RS INTERNATIONAL AUSTRALIA PTY. LTD.

30 Prime Drive, Seven Hills, NSW 2147, AUSTRALIA
TEL : +61) 2-9674-2127 FAX : +61) 2-9674-2027

RS CANADA INC.

164 Oakdale Road, Toronto, Ontario M3N 2S5 CANADA
TEL : +1) 416-741-8400 FAX : +1) 416-741-8185

RS Holland B.V.

Industrieweg 6K, 4104AR, Culemborg, The Netherlands
Tel: +31 (0)345 473 097 Fax: 31 (0)345 519 811

Royal Sovereign Mexico, S.A. de C.V.

24 de Abril de 1860 No. 8 Col. Leyes de Reforma Mexico D.F. C.P. 09310
Tel.: +52) 55-5600-0757, 55-5600-7848 Fax: +52) 55-5600-0748

MANUAL DEL PROPIETARIO

BDH-450 / BDH-550 DESHUMEDECEDOR SIN CUBETA

BDH-450 / BDH-550



DESHUMEDECEDOR SIN CUBETA

Lea y guarde estas instrucciones para referencia en el futuro.

Para Servicio al Cliente por favor dirijase a nuestra página web
www.royalsovereign.com y seleccione "Support Tab" Royal Centurian Inc.

Royal Sovereign International Inc.

DESHUMEDECEDOR SIN CUBETA

Modelo BDH-450 / BDH-550

INTRODUCCIÓN

Gracias por escoger Royal Sovereign para proveerle a usted y a su familia con la mejor “Comodidad Climática” en su casa, departamento u oficina. Este deshumecedor puede ser instalado en sólo minutos y si se mantiene apropiadamente, le dará muchos años de operación libre de problemas.

Este manual le proveerá con información valiosa y necesaria para el cuidado apropiado y mantenimiento de su nuevo electrodoméstico. Por favor, tome un momento y lea estas instrucciones por completo.

CONTENIDO

	Página
Uso General.....	16
Precauciones de Uso.....	16
Funcionamiento.....	17-18
Cómo Disponer del Agua Acumulada.....	19
Mantenimiento.....	20
Identificación y Solución de Problemas.....	21
Especificaciones.....	22
Garantía.....	23
Contactos.....	24

USO GENERAL

1. Después de desempacar el deshumecedor, espere 2 horas antes de usarlo. Use precaución y sentido común cuando instale, opere o haga mantenimiento a cualquier electrodoméstico.
2. Este electrodoméstico debe ser utilizado solamente por adultos. No permita que los niños jueguen con el aparato. No deje a los niños jugar en el área en la que esta funcionando el aparato sin supervisión. No permita que los niños se paren o sienten en el aparato.
3. Este electrodoméstico esta diseñado para deshumecer áreas domésticas y no debe usarse para otros propósitos. Debe operar en un área cerrada para su funcionamiento más efectivo. Cierre todas las puertas, ventanas y otras aberturas para mayor efectividad.
4. No lo use afuera.
5. Siempre desconecte el electrodoméstico del tomacorriente cuando le haga mantenimiento, lo limpie o cuando el deshumecedor dejará de funcionar por un largo periodo de tiempo.
6. No ponga objetos pesados ni calientes encima del deshumecedor.

PRECAUCIONES DE USO

1. No guarde gasolina, aceite, sulfuro o cualquier otro liquido o vapor inflamable cerca de éste o cualquier otro electrodoméstico. No instale el electrodoméstico cerca de una fuente de calor.
2. No modifique ninguna parte de este producto. Cualquier modificación puede ser extremadamente peligrosa.
3. No opere ningún electrodoméstico que tenga el cable o el enchufe dañados o después de que la unidad tenga una falla de funcionamiento o haya sufrido algún daño.
4. No se recomienda el uso de accesorios. Puede ocasionar heridas.
5. Para su seguridad y protección, este deshumecedor tiene un enchufe de 3 tomas con conexión a tierra. Bajo ninguna circunstancia corte o remueva la toma circular de conexión a tierra.
6. Su deshumecedor debe conectarse directamente a un tomacorriente polarizado con conexión a tierra. Si el tomacorriente que va a usar no tiene conexión a tierra o está protegido por un circuito de fusibles con tiempo retardado, usted debe contactar a un electricista calificado para instalar el tomacorriente correcto. No use esta unidad con ningún cable de extensión o enchufes adaptadores.
7. Nunca desenchufe el aparato jalando del cable. Siempre agarre firmemente y jale el enchufe para sacarlo del tomacorriente. No perforo, doble o haga nudos con el cable de electricidad.
8. El electrodoméstico debe mantenerse en posición vertical cuando sea transportado. Recuerde drenar el deshumecedor antes de transportarlo.

INSTALACIÓN

INSTALACIÓN DE LA MANGUERA DE DRENAJE

La manguera de drenaje puede desaguar en cualquier área en donde usted pueda deshacerse del agua.

La manguera puede desembocar afuera a través de una ventana, en el lavadero o en el desagüe.

Usted debe prestar atención al flujo de agua drenada. Asegúrese de que fluya lejos de cualquier construcción u objeto que pueda ser dañado.

CUIDADO: La manguera de drenaje no debe instalarse a más de 10 pies por encima del nivel en el que se encuentra el deshumecedor.

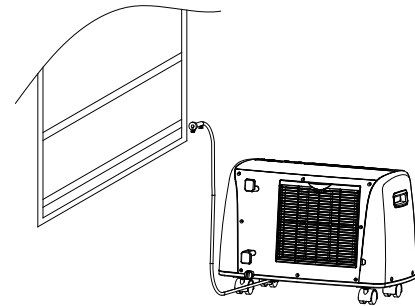
CÓMO DISPONER DEL AGUA ACUMULADA

1. Drenaje continuo usando la bomba

Escoja un lugar seguro para drenar el agua, en donde el flujo se aleje de cualquier construcción u objetos que puedan ser dañados.

Nuestro diseño especial de bomba vertical permite el desagüe hasta 10 pies de altura, haciendo posible que el agua pueda descargarse afuera a través de una ventana, dentro de una tubería de desagüe o en el lavadero.

NOTA: Asegúrese de que la luz de la bomba esté prendida cuando use esta opción.

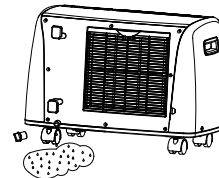


2. Drenaje continuo sin la bomba

El agua condensada puede drenarse usando la bomba conectando la manguera a la salida que se encuentra en la parte posterior de la unidad. Quite el tapón de jebes y conecte la manguera a la unidad para drenar directamente dentro de un hueco de desagüe en el suelo. Recuerde, el agua chorrea hacia abajo.

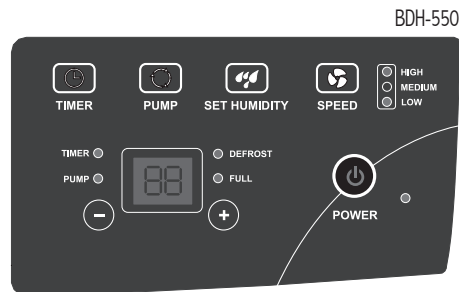
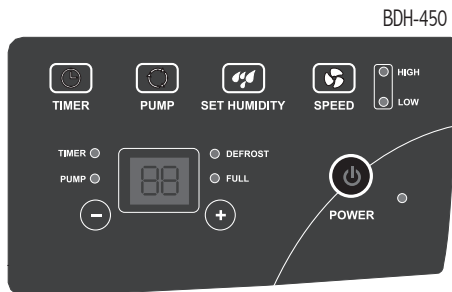
El punto de desagüe debe estar por debajo del conector de drenaje de la unidad.

NOTA: Guarde el tapón en un lugar seguro para cuando decida utilizar la bomba en el futuro.



FUNCIONAMIENTO

Panel de Control



BOTÓN DE ENCENDIDO/APAGADO

Este botón de encendido prende y apaga la unidad. Cuando usted presiona este botón la unidad comienza a funcionar y la luz se prende.

PROGRAMACIÓN DEL SINCRONIZADOR

Hay dos formas de programar el sincronizador. Usted puede programar el número de horas hasta que el deshumedecedor se apague automáticamente o el número de horas hasta que el deshumedecedor se prenda automáticamente. Cuando el sincronizador está programado, la luz indicadora se mantendrá encendida.

Quando el deshumedecedor está apagado, usted puede programarlo para que se prenda en intervalos de 1 hora.

1. Presione el botón en la pantalla para activar la función de sincronizador.
2. Presione los botones + o - hasta que se muestre el número de horas deseado.
3. El deshumedecedor se prenderá cuando el número de horas indicado haya transcurrido.

Quando el deshumedecedor está prendido, usted puede programarlo para que se apague en intervalos de 1 hora.

1. Presione el botón en la pantalla para activar la función de sincronizador.
2. Presione los botones + o - hasta que se muestre el número de horas deseado.
3. El deshumedecedor se apagará cuando el número de horas indicado haya transcurrido.

BOMBA

Use el botón en la pantalla para activar el sistema de bomba para trabajo pesado. Una vez que usted haya presionado el botón de bomba (PUMP) la luz indicadora en la pantalla se prenderá y la bomba automáticamente extraerá el agua a medida que se va acumulando.

Si la luz indicadora de la bomba parpadea, significa que la bomba no está funcionando adecuadamente. Revise la sección de "Identificación y Solución de Problemas" de este manual para encontrar posibles soluciones.

ESTABLECER HUMEDAD

La función de Establecer Humedad le permite establecer el nivel de humedad que usted desee en la habitación. Presione el botón de Establecer Humedad (SET HUMIDITY) y use los botones + o - para establecer el porcentaje de humedad deseado. La unidad se prenderá automáticamente cuando la humedad de la habitación esté por encima del porcentaje establecido.

Para mejores resultados, el nivel de humedad debe reducirse gradualmente. Comience con el nivel más alto. Redúzcalo 5% hasta que el compresor se prenda. Permita que la unidad funcione a este nivel manteniendo el mismo por un tiempo, luego continúe reduciéndolo gradualmente hasta un nivel entre 30 y 50% dependiendo de su comodidad.

Después de establecer la humedad deseada, la unidad funcionará automáticamente manteniendo el nivel de humedad establecido.

La Humedad Relativa puede establecerse de RH 30% a RH 80%. La temperatura de funcionamiento de esta unidad es entre 40°F y 95 °F. Si la temperatura de la habitación está por debajo de los 40 °F la unidad dejará de funcionar. Esta función protege el compresor y es normal.

NOTA: La humedad seleccionada puede variar en 5% (+ o -).

VELOCIDAD DEL VENTILADOR

Presione el botón de velocidad (SPEED) para seleccionar Alta (HIGH) o Baja (LOW). El modelo BDH-550 ofrece además velocidad de ventilador Media (MEDIUM).

LUZ DE DESCONGELAR

Si se forma hielo en los conductos internos, la luz de descongelar se encenderá. El deshumecedor automáticamente se pondrá en modo Descongelado Automático (DEFROST).

La luz de descongelar se mantendrá encendida hasta que el descongelamiento sea completado. Una vez que el descongelamiento haya terminado, la unidad retornará a deshumecer la habitación.

LUZ DE AGUA

Si por alguna razón el agua no puede salir de la unidad, la luz de agua se prenderá. Revise la sección de "Identificación y Solución de Problemas" de este manual para encontrar posibles soluciones.

MANTENIMIENTO

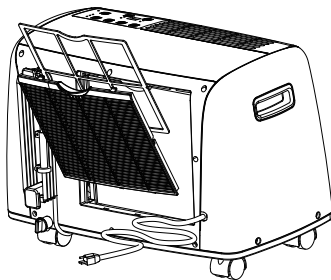
Antes de limpiar la unidad, desconecte el enchufe del tomacorriente.

La unidad esta equipada con un filtro de aire lavable. Siga las instrucciones para sacarlo y limpiarlo.

LIMPIEZA DEL FILTRO

Si el filtro esta sucio, se afectará la circulación del aire y la capacidad deshumedecedora de la unidad decrecerá. Es una buena práctica limpiar el filtro regularmente. La frecuencia de la limpieza depende del tiempo y las condiciones de funcionamiento.

1. El filtro de aire se encuentra en la parte posterior del deshumedecedor. Quite el filtro jalando cuidadosamente la manija de la parrilla hacia delante.
2. Use una aspiradora para extraer las acumulaciones de polvo del filtro. Si el filtro está muy sucio, lave el filtro en agua tibia y enjuague varias veces.
3. Después de lavar el filtro, déjelo secar completamente antes de reemplazarlo.



IDENTIFICACIÓN Y SOLUCIÓN DE PROBLEMAS

Nunca trate de reparar o desmantelar el deshumecedor usted mismo. Manipular la unidad puede resultar en la pérdida de la garantía y puesta en peligro de su salud y su propiedad.

Problema	Causa	Solución
La unidad no funciona	No hay electricidad. La unidad no está prendida. El nivel de humedad establecido es mas alto que el nivel de humedad de la habitación.	Enchufe el cable de electricidad al tomacorriente y verifique el funcionamiento de los fusibles de esa habitación. Prenda la unidad. Establezca el nivel de humedad a un porcentaje más bajo.
La luz de agua esta prendida	El flujo del agua esta bloqueado.	Asegúrese de que la bomba esta prendida. Verifique que la manguera no este doblada o atracada. Asegúrese de que la altura a la que va la manguera es menos de 10 pies por encima de la posición del deshumecedor.
La unidad no deshumedece o deshumedece muy poco	El filtro de aire esta sucio o bloqueado. La temperatura de la habitación está por debajo de los 40 °F. La circulación de aire es pobre o hay obstrucción. El nivel de humedad está establecido mas alto que el nivel de humedad actual en la habitación.	Limpie el filtro. Suba la temperatura en la habitación. Mejore la circulación de aire moviendo la unidad hacia un lugar en donde nada obstruya la entrada y salida de aire. Establezca el porcentaje de humedad a un nivel más bajo.
La Humedad Relativa no puede ser alcanzada después de un largo periodo de funcionamiento	Hay ventanas o puertas abiertas. El área/habitación es muy grande para la capacidad del deshumecedor.	Verifique que las ventanas y puertas estén cerradas. Mueva el deshumecedor a otra parte de la habitación.
La luz de descongelamiento esta encendida	La temperatura de la habitación está por debajo de los 40 °F. El filtro de aire está sucio.	Suba la temperatura de la habitación por encima de los 40 °F. Quite y limpie el filtro de aire.
El electrodoméstico no funciona desde la última vez que se apagó	El dispositivo de seguridad ha sido activado.	Espere a que transcurran 3 minutos.

ESPECIFICACIONES

- Las medidas que aparecen son solo para referencia, pueden haber variaciones debido a las diferencias entre países y regiones, y deben ser basadas en funcionamiento práctico.

Descripción del Producto	Deshumecedor sin Cubeta	
Modelo	BDH-450	BDH-550
Capacidad Deshumecedora (Pintas/Día)	45 Pintas	55 Pintas
Consumo de Electricidad (W)	550	750
Sincronizador	24 horas	
Velocidades del Ventilador	2	3
Velocidades del Ventilador	21.3 x 12.6 x 15(pulgadas) / 541 x 320 x 381(milímetros)	
Peso	39.7 libras / 18 kilos	

“Los desperdicios eléctricos no deben botarse juntamente con la basura doméstica. Por favor, recicle cuando sea posible. Contacte a las autoridades locales por consejos referentes al reciclaje.”



GARANTÍA COMPLETA POR UN AÑO

Royal Sovereign garantiza que cada deshumedecedor está libre de defectos en cuanto a materiales y fabricación. Nuestra obligación bajo esta garantía está limitada a la reparación o sustitución, sin costo, de cualquier parte(s) defectuosa(s) que no se haya dañado en el transporte, cuando el producto sea entregado a un Centro de Servicio de Royal Sovereign. Esta garantía cubre al comprador original por un año desde la fecha de compra y no es transferible. Esta garantía se aplica sólo si el deshumedecedor se usa en un circuito de Corriente Alterna, de acuerdo a las instrucciones de fábrica que acompañan al producto.

GARANTÍA LIMITADA POR CINCO AÑOS (COMPRESOR)

Por un periodo de cinco años desde la fecha de compra, siempre y cuando este Deshumedecedor Royal Sovereign sea operado y mantenido de acuerdo al manual de instrucciones provisto con el producto, Royal Sovereign suplirá un compresor de reemplazo (solamente la parte), sin costo, si se determina que el compresor original tiene una falla en cuanto a mano de obra o materiales. Si es necesaria la reparación, por favor contacte a nuestro centro de servicio al cliente. Usted será responsable por el envío, seguro y cualquier otro gasto de transporte para hacer llegar la unidad a nuestra fabrica o centro de servicio. Si es necesario el envío, asegúrese de empaclar la unidad correctamente para evitar daños en el transporte, pues nosotros no seremos responsables por aquellos daños.

EXCLUSIONES

Esta garantía excluye y no cubre defectos, malfuncionamiento o fallas de su Deshumedecedor Royal Sovereign causadas por reparaciones hechas por personas o centros de servicio desautorizados, manejo inadecuado, instalación inapropiada, modificación o uso irrazonable de voltaje incorrecto, fuerzas de la naturaleza, o dejar de hacer el mantenimiento razonable y necesario. Esta garantía es en lugar de todas y cada una de las garantías expresas. En ninguna eventualidad Royal Sovereign será responsable por daños incidentales o consecuentes. Esta limitación no se aplica si usted vive en un lugar en donde no es permitida la limitación de daños incidentales o consecuentes. Esta garantía le da derechos legales específicos y usted puede tener otros derechos los cuales varían de estado a estado.



ROYAL SOVEREIGN INTERNATIONAL, INC.

2 Volvo Drive Rockleigh, NJ 07647 USA
TEL : +1) 800-397-1025 FAX : +1) 201-750-1022

ROYAL SOVEREIGN INC.

1001, World Meridian II, 426-5, Gasan-dong, Geumcheon-gu, Seoul, 153-759, KOREA
TEL : +82)2-2025-8800 FAX : +82)2-2025-8830

RS INTERNATIONAL AUSTRALIA PTY. LTD.

30 Prime Drive, Seven Hills, NSW 2147, AUSTRALIA
TEL : +61) 2-9674-2127 FAX : +61) 2-9674-2027

RS CANADA INC.

164 Oakdale Road, Toronto, Ontario M3N 2S5 CANADA
TEL : +1) 416-741-8400 FAX : +1) 416-741-8185

RS Holland B.V.

Industrieweg 6K, 4104AR, Culemborg, The Netherlands
Tel: +31 (0)345 473 097 Fax: 31 (0)345 519 811

Royal Sovereign Mexico, S.A. de C.V.

24 de Abril de 1860 No. 8 Col. Leyes de Reforma Mexico D.F. C.P. 09310
Tel.: +52) 55-5600-0757, 55-5600-7848 Fax: +52) 55-5600-0748

Free Manuals Download Website

<http://myh66.com>

<http://usermanuals.us>

<http://www.somanuals.com>

<http://www.4manuals.cc>

<http://www.manual-lib.com>

<http://www.404manual.com>

<http://www.luxmanual.com>

<http://aubethermostatmanual.com>

Golf course search by state

<http://golfingnear.com>

Email search by domain

<http://emailbydomain.com>

Auto manuals search

<http://auto.somanuals.com>

TV manuals search

<http://tv.somanuals.com>