



OWNER'S OPERATING MANUAL

PlasmaWall™

SP-42DHD / SP-42DHDxa
SP-50DHD / SP-50DHDxa
SP-60DHD / SP-60DHDxa

**Flat Panel Plasma Display Monitor
with**

WideVision™

and

**Digital High Definition™ Controller
with Vivix II™ Technology**



THE WORLD'S FINEST HOME THEATER PRODUCTS™

THREE YEAR LIMITED WARRANTY

For Plasma Displays

Congratulations on your purchase of a Runco video product and welcome to the Runco family! We believe Runco produces "The World's Finest Home Theater Products." With proper installation, setup and care, you should enjoy many years of unparalleled video performance.

This is a LIMITED WARRANTY as defined in the Magnuson-Moss Warranty Act. Please read it carefully and retain it with your other important documents.

WHAT IS COVERED UNDER THE TERMS OF THIS LIMITED WARRANTY:

SERVICE LABOR: Runco will pay for service labor by a Runco Authorized Service Center when needed as a result of a manufacturing defect for a period of three (3) years from the effective date of delivery to the end user (excluding the plasma glass panel).

PARTS (not including plasma glass panel): Runco will provide new or rebuilt replacement parts for the parts that fail due to defects in materials or workmanship for a period of three (3) years from the effective date of delivery to the end user. Such replacement parts are then subsequently warranted for the remaining portion (if any) of the original warranty period.

PLASMA GLASS PANEL: Runco will pay for service labor by a Runco Authorized Service Center when needed as a result of a manufacturing defect for a period of one (1) year from the effective date of delivery to the end user. In addition, Runco will provide new or rebuilt replacement parts for the parts that fail due to defects in materials or workmanship for a period of one (1) year from the effective date of delivery to the end user. Such replacement parts are then subsequently warranted for the remaining portion (if any) of the original warranty period.

WHAT IS NOT COVERED UNDER THE TERMS OF THIS LIMITED WARRANTY:

Image burn-in on plasma display panels is specifically excluded from coverage under this Limited Warranty. Image burn-in is the result of misuse of the product and therefore cannot be repaired under the terms of this Limited Warranty.

Normal viewing material such as television/satellite broadcasts, videotape or DVDs (not put into pause for extended periods of time) will not cause damage to your display under normal conditions. Many DVD players are also equipped with screen savers for this reason.

TO AVOID IMAGE RETENTION (Burn-in): Please ensure that still images are left on your plasma display panel for no more than a few minutes. Also ensure that images displayed in the 4:3 aspect ratio mode (black or gray stripes, but no picture information is present on the left and right edges of the screen) are used as infrequently as possible. This will prevent permanent image burns on your plasma display panel, which can be seen permanently under certain conditions once burn-in has occurred.

The types of images to avoid include video games, still images and computer screens with stationary tool bars and icons. (This is why computers are equipped with screen savers – to prevent still images from burning into the monitor's phosphors after being displayed continuously for an extended period of time).

This Limited Warranty only covers failure due to defects in materials and workmanship that occur during normal use and does not cover normal maintenance. This Limited Warranty does not cover cabinets or any appearance items; failure resulting from accident, misuse, abuse, neglect, mishandling, misapplication, faulty or improper installation or setup adjustments; improper maintenance, alteration, improper use of any input signal; damage due to lightning or power line surges, spikes and brownouts; damage that occurs during shipping or transit; or damage that is attributed to acts of God. In the case of remote control units, damage resulting from leaking, old, damaged or improper batteries is also excluded from coverage under this Limited Warranty.

CAUTION: THIS LIMITED WARRANTY ONLY COVERS RUNCO PRODUCTS PURCHASED FROM RUNCO AUTHORIZED DEALERS. ALL OTHER PRODUCTS ARE SPECIFICALLY EXCLUDED FROM COVERAGE UNDER THIS WARRANTY.

MOREOVER, DAMAGE RESULTING DIRECTLY OR INDIRECTLY FROM IMPROPER INSTALLATION OR SETUP IS SPECIFICALLY EXCLUDED FROM COVERAGE UNDER THIS LIMITED WARRANTY. IT IS IMPERATIVE THAT INSTALLATION AND SETUP WORK BE PERFORMED ONLY BY AN AUTHORIZED RUNCO DEALER TO PROTECT YOUR RIGHTS UNDER THIS WARRANTY. THIS WILL ALSO ENSURE THAT YOU ENJOY THE FINE PERFORMANCE OF WHICH YOUR RUNCO PRODUCT IS CAPABLE WHEN INSTALLED AND CALIBRATED BY RUNCO AUTHORIZED PERSONNEL.

RIGHTS, LIMITS AND EXCLUSIONS:

Runco limits its obligations under any implied warranties under state laws to a period not to exceed the warranty period. There are no express warranties. Runco also excludes any obligation on its part for incidental or consequential damages related to the failure of this product to function properly. Some states do not allow limitations on how long an implied warranty lasts, and some states do not allow the exclusion or limitation of incidental or consequential damages. So the above limitations or exclusions may not apply to you. This warranty gives you specific legal rights, and you may also have other rights that vary from state to state.

EFFECTIVE WARRANTY DATE:

This warranty begins on the effective date of delivery to the end user. For your convenience, keep the original bill of sale as evidence of the purchase date.

IMPORTANT – WARRANTY REGISTRATION:

Please fill out and mail your warranty registration card. It is imperative that Runco knows how to reach you promptly if we should discover a safety problem or product update for which you must be notified.

CONTACT A RUNCO AUTHORIZED SERVICE CENTER TO OBTAIN SERVICE:

Repairs made under the terms of this Limited Warranty covering your Runco video product will be performed at the location of the product, during usual working hours, providing location of product is within normal operating distance from a Runco Authorized Service Center. In some instances it may be necessary for the product to be returned to the Runco factory for repairs. If, solely in Runco's judgment, location of product to be repaired is beyond normal operating distance of the closest Runco Authorized Service Center, or the repair requires the unit be returned to the Runco factory, it is the owner's responsibility to arrange for shipment of the product for repair. These arrangements must be made through the selling Runco Dealer. If this is not possible, contact Runco directly for a Return Authorization number and shipping instructions. Runco will return product transportation prepaid in the United States, unless no product defect is discovered. In that instance, shipping costs will be the responsibility of the owner.

COPYRIGHT AND TRADEMARKS:

© Copyright 2007 Runco International. This document contains proprietary information protected by copyright, trademark and other intellectual property laws. All rights are reserved. No part of this manual may be reproduced by any mechanical, electronic or other means, in any form, without prior written permission of the manufacturer.

Reflection, Enhanced GEN3, DHD, Vivix, Virtual Cinema, CineWide, AutoScope, O-Path, CinOptx, LiveLink, CSMS, SuperOnyx and VirtualWide are trademarks of Runco International. All other trademarks and registered trademarks used in this document are the property of their respective owners.

Runco International products are manufactured under one or more of the following patents: US. Patent 6755540 and Other Patents Pending.

ADDITIONAL INFORMATION:

To locate the name and address of the nearest Runco Authorized Service Center, or for additional information about this Limited Warranty, please call or write:

RUNCO INTERNATIONAL, INC.
Attn: Customer Service Department
2900 Faber Street
Union City, CA 94587
Ph: (510) 324-7777
Fax: (510) 324-9300
Toll Free: (800) 23-RUNCO

RUNCO VIDEO-PRODUCT INFORMATION
RETAIN THIS INFORMATION FOR YOUR RECORDS

Model Purchased

Date

Serial Number

Runco Authorized Dealer Name

Address

City

State/Province

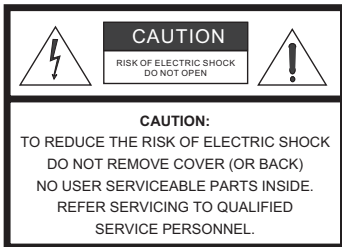
Postal Code

Phone

Fax

Safety Precautions

Thank you for your purchase of this quality Runco product! It has been designed to provide you with the quality of video that is expected in a home theater. This manual is your guide through the menus and operation. For the best performance, please read it carefully and keep it handy for future reference.



WARNING

This symbol is intended to alert the user to the presence of uninsulated “dangerous voltage” within the product’s enclosure that may be of sufficient magnitude to constitute a risk of electric shock.

This symbol is intended to alert the user to the presence of important operating and maintenance (servicing) instructions in the literature accompanying the appliance.

CAUTION

To turn off main power, be sure to remove the plugs from power outlets. The power outlet socket should be installed as near to the equipment as possible, and should be easily accessible.

WARNING

TO PREVENT FIRE OR SHOCK HAZARDS, DO NOT EXPOSE THIS UNIT TO RAIN OR MOISTURE. ALSO DO NOT USE THIS UNIT’S POLARIZED PLUG WITH AN EXTENSION CORD RECEPTACLE OR OTHER OUTLETS, UNLESS THE PRONGS CAN BE FULLY INSERTED. REFRAIN FROM OPENING THE CABINET AS THERE ARE HIGH-VOLTAGE COMPONENTS INSIDE. REFER SERVICING TO QUALIFIED SERVICE PERSONNEL.

WARNING

This equipment generates, uses, and can radiate radio frequency energy and, if not installed and used in accordance with the Installation Manual, may cause harmful interference to radio communications. Operation of this equipment in a residential area may cause harmful interference, in which case the user will be required to correct the interference at his own expense.

Please read and follow the safety precautions listed below to ensure the equipment is free from damage, and to ensure that no injury will occur as a result of improper use.

- Do not insert any object, especially metal or liquids, into the plasma display.
- Do not place any objects containing water or any other liquid on top of the plasma display.
- Do not place the units in direct sunlight, near heaters or in extremely dusty or humid locations.
- Do not install this system outdoors or otherwise exposed to the elements.
- Do not place heavy objects on top of the plasma display.
- If the power cord is damaged or frayed in any way, electrical shock and/or fire may result. Do not place objects on the power cord, and keep the cord away from heat-emitting devices. Should the power cord become damaged in any way, please contact your Runco Dealer for a replacement cord.
- Do not remove the cover of the plasma display for any reason. If any problems arise with the unit, please contact a Runco Dealer or Runco International for service. Removing the covers will void the warranty.

Table of Contents

THREE YEAR LIMITED WARRANTY	iii
Safety Precautions	vi
1. Introduction	1
About This Manual	1
Target Audience	1
If You Have Comments About This Manual.....	1
Textual and Graphic Conventions	1
Using This Manual	2
Description, Features and Benefits	3
Key Features and Benefits	3
Parts List	4
2. Controls and Functions	5
PlasmaWall at a Glance	5
Controls and Indicators.....	5
Connectors	6
DHD Controller Front Panel	10
DHD Controller Rear Panel	12
Outputs	12
Inputs	12
DHD Controller Remote Control	14
3. Installation	17
Remote Control	17
Notes on Batteries.....	17
Notes on Remote Control Operation.....	17
Quick Setup	19
Installation Considerations	20
High-Altitude Operation	20
Mounting the PlasmaWall on a Wall or Table Stand	20
Ambient Light	21
Ventilation.....	21
Other Considerations	22
Connections to the PlasmaWall and DHD Controller	23
Connecting the PlasmaWall to the DHD Controller.....	23

Connecting Source Components to the DHD Controller	25
RS-232 Controller Connection	29
Connecting 12-Volt Trigger Outputs to External Equipment	29
Cable Management	30
4. Operation	31
Turning on the Power	31
Selecting the Input Source	32
Setting the Computer Display Properties	32
Using the On-Screen Menus	34
Main Menu	36
Input Source	36
Aspect Ratio	36
Picture	38
Input Position.....	41
ISF Presets	42
Information	42
Calibration	43
Service	45
5. Maintenance and Troubleshooting	49
Cleaning	49
Cleaning the Display Panel Body and Remote Control	49
Cleaning the Screen.....	49
Cleaning the Vents.....	49
Troubleshooting Tips	50
6. Serial Communications	53
RS-232 Connection and Port Configuration	53
Serial Command Syntax	53
7. Specifications	59
PlasmaWall Specifications	59
DHD Controller Specifications	60
PlasmaWall Dimensions	61
Computer/Video Signal Compatibility	64
APPENDIX A. PlasmaWall Service Remote Control	A-1
Overview	A-1
Service/Setup Menu	A-3
Video NR (Noise Reduction).....	A-3
MPEG Filter	A-4

List of Figures

2-1. PlasmaWall Front-Panel Controls and Indicators.....	5
2-2. PlasmaWall Model SP-42DHD Rear Panel.....	6
2-3. PlasmaWall Model SP-50DHD Rear Panel.....	7
2-4. PlasmaWall Model SP-60DHD Rear Panel.....	8
2-5. DHD Controller Front Panel	10
2-6. DHD Controller Rear Panel	12
2-7. DHD Controller Remote Control	14
3-1. Available Range of the Remote Control	17
3-2. Ventilation Requirements for Enclosure Mounting	21
3-3. Connecting the PlasmaWall to the DHD Controller	23
3-4. RS-232 Connection from the DHD Controller to the PlasmaWall	24
3-5. DVI Source Connections	25
3-6. Digital (DTV) RGB Connections.....	26
3-7. Analog RGB Connections.....	27
3-8. Composite, S-Video and Component Video Connections.....	28
3-9. RS-232 Control System Connection.....	29
3-10. Connecting 12-Volt Trigger Outputs	29
3-11. Installing the Cable Ties	30
4-1. DHD Controller OSD Menu Structure for PlasmaWall.....	35
4-2. Typical PLUGE Pattern for Adjusting Brightness	38
4-3. Typical Gray Bar Pattern for Adjusting Contrast	39
4-4. Typical Color Bar Pattern for Adjusting Color Saturation and Tint.....	40
4-5. Typical Test Pattern for Adjusting Sharpness	41
7-1. PlasmaWall Model SP-42DHD Dimensions (with Optional Table Stand)	61
7-2. PlasmaWall Model SP-50DHD Dimensions (with Optional Table Stand)	62
7-3. PlasmaWall Model SP-60DHD Dimensions (with Optional Table Stand)	63
A-1. PlasmaWall Service Remote Control	A-1
A-2. PlasmaWall Setup Menu	A-3

Notes:

1. Introduction

This Owner's Manual describes how to install, set up and operate a Runco PlasmaWall Flat-Panel Plasma Display Monitor and DHD Controller (Model SP-42DHD, SP-42DHDxa, SP-50DHD, SP-50DHDxa, SP-60DHD or SP-60DHDxa).

Throughout this manual, the Runco PlasmaWall Flat-Panel Plasma Display Monitor and DHD Controller are referred to collectively as the "PlasmaWall." Except where otherwise indicated, the information in this manual applies to all six PlasmaWall models.

Runco has prepared this manual to help home theater installers and end users get the most out of the PlasmaWall.

Runco has made every effort to ensure that this manual is accurate as of the date it was printed. However, because of ongoing product improvements and customer feedback, it may require updating from time to time. You can always find the latest version of this and other Runco product manuals on-line, at www.runco.com.

Runco welcomes your comments about this manual. Send them to techpub@runco.com.

Text Conventions: The following conventions are used in this manual, in order to clarify the information and instructions provided:

- Remote control button identifiers are set in upper-case bold type; for example, "Press **EXIT** to return to the previous menu."
- Computer input (commands you type) and output (responses that appear on-screen) is shown in monospace (fixed-width) type; for example: "To change the aspect ratio to Anamorphic, type ANAMORPHIC **<Enter>**."
- All keys with functional names are initial-capped, set in bold type and enclosed in angle brackets. These keys are the following: **<Enter>**, **<Spacebar>**, **<Control>**, **<Esc>** and **<Tab>**.
- **<Enter>** indicates that you may press either the RETURN or ENTER key on your computer keyboard if it has both keys.

In addition to these conventions, underlining, boldface and/or italics are occasionally used to highlight important information, as in this example:



Note

*A carriage return **must** be used after each command or string.*

1.1 About This Manual

◀ Target Audience

◀ If You Have Comments About This Manual...

◀ Textual and Graphic Conventions

Graphic Conventions: These symbols appear in numerous places throughout the manual, to emphasize points that you must keep in mind to avoid problems with your equipment or injury:



Tip

TIPS highlight time-saving short cuts and helpful guidelines for using certain features.



Note

NOTES emphasize text with unusual importance or special significance. They also provide supplemental information.



Caution

CAUTIONS alert users that a given action or omitted action can degrade performance or cause a malfunction.



WARNING

WARNINGS appear when a given action or omitted action can result in damage to the equipment, or possible non-fatal injury to the user.



DANGER!

DANGER appears when a given action can cause severe injury or death.

1.2 Using This Manual

Use the following table to locate the specific information you need in this manual.

If you need...	... Turn to page:
Information about obtaining service	iv
General information about the PlasmaWall Flat-Panel Plasma Display Monitor and DHD Controller	3
Installation instructions	17
First-time configuration instructions	31
Advanced configuration instructions	43
Troubleshooting tips	50
Specifications for the PlasmaWall Flat-Panel Plasma Display Monitor and DHD Controller	59

The PlasmaWall SP Series flat-panel plasma monitor brings outstanding picture quality to its size category with true, high-definition native resolution of up to 1365 x 768 (1024 x 768 on the Model SP-42DHD) for no-compromise viewing of any video source.

The PlasmaWall is supplied with Runco's next-generation, Digital High Definition (DHD) Controller, featuring advanced Vivix II™ processing. This controller produces stunning video imagery, elevating even standard NTSC material to near high-definition levels.

Multiple aspect ratio control includes Runco's VirtualWide™ for viewing 4:3 material in widescreen with no loss of picture quality. The DHD provides for a pure digital signal path from input to output, making this system ready for Runco's exclusive LiveLink™ DVI cable solution to preserve HD signal quality over long runs.

The PlasmaWall's black level performance and shadow detail capability have been enhanced with Active Gray Scale Rendering to provide smoother transitions from dark to light, resulting in richly detailed textures even in shadowy scenes.

The PlasmaWall is easily integrated into custom installation systems. Both RS-232C and IR control interfaces are incorporated for simple automation. Its profile is less than 5-1/2 inches thin for wall-mounting simplicity.

For high-altitude installations, Runco also offers the SP-42DHDxa, SP-50DHDxa and SP-60DHDxa with industry-leading high-altitude compliance to over 9000 feet (2,740 meters) mean sea level (MSL). The SP-42DHDxa, SP-50DHDxa and SP-60DHDxa share all other features and specifications with the SP-42DHD, SP-50DHD and SP-60DHD respectively.

The PlasmaWall offers these key features and benefits:

- 16:9 Native Resolution: 1024 x 768 (Model SP-42DHD) or 1365 x 768 (Models SP-50DHD and SP-60DHD)
- Multiple Aspect Ratios with VirtualWide™ Mode
- 160 degree horizontal/vertical viewing angle
- Accepts all DTV formats (via outboard decoder), including 1080i, 720p and 480p
- Less than 5-1/2 inches deep
- Two DVI Inputs (on DHD Controller) with High-bandwidth Digital Content Protection (HDCP)
- Exceptional detail and artifact-free video enhancement
- Vivix™ video processing with 3:2 film detection circuitry

1.3 Description, Features and Benefits

◀ Key Features and Benefits

Parts List ➤ Your PlasmaWall is shipped with the following items. If any items are missing or damaged, please contact your Runco dealer or Runco Customer Service at (800) 23-RUNCO.

- PlasmaWall Flat-Panel Plasma Display Monitor and DHD Controller
- AC Power Cords (2)
- Remote Control Unit and two (2), AAA-size batteries
- Service Remote Control Unit and two (2), AA-size batteries
- RJ-11 Telephone Cable, 50 feet (15.24 meters)
- Serial Port Adapter, RJ-11 Female to DB-9 Female
- Rack-mount hardware for the DHD Controller
- Cleaning Cloth
- Cable Ties (2)
- Warranty information and registration card
- PlasmaWall SP Series Owner's Operating Manual (this document)

Optional Accessories:

- Wall Mount Kit – part number RUHK-004300 (SP-42DHD/SP-50DHD) or RUHK-003800 (SP-60DHD)
- Table Stand – part number RUHK-004400 (SP-42DHD/SP-50DHD) or RUHK-003850 (SP-60DHD)
- LiveLink™ DVI Cabling System

2. Controls and Functions

2.1 PlasmaWall at a Glance

◀ Controls and Indicators

Figure 2-1 shows the PlasmaWall front-panel controls and indicators.

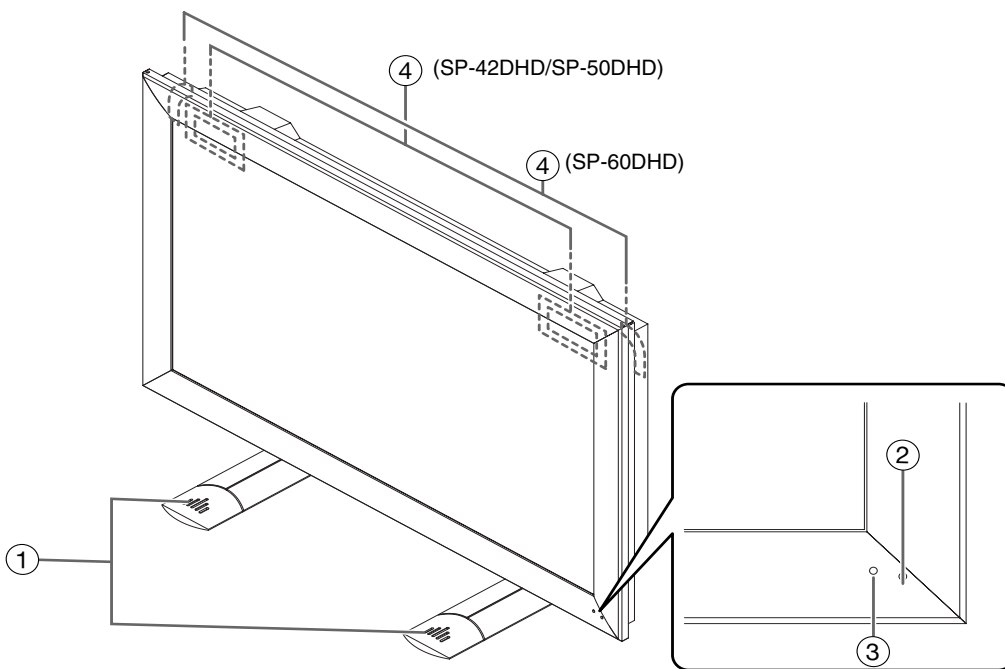


Figure 2-1. PlasmaWall Front-Panel Controls and Indicators

- 1. DISPLAY STAND**
Optional accessory for tabletop installations.
- 2. REMOTE CONTROL SENSOR**
Receives the signals from the remote control.
- 3. STANDBY/ON INDICATOR**
 - Lights green to indicate normal operation;
 - Lights red to indicate that the PlasmaWall is in standby mode;
 - Flashes green or red (twice per second) to indicate an error condition.
- 4. HANDLES**
ALWAYS use the handles when carrying the unit.

Connectors ➤ Figure 2-2 and Figure 2-3 show the rear-panel connector and power switch locations on the SP-42DHD and SP-50DHD respectively.

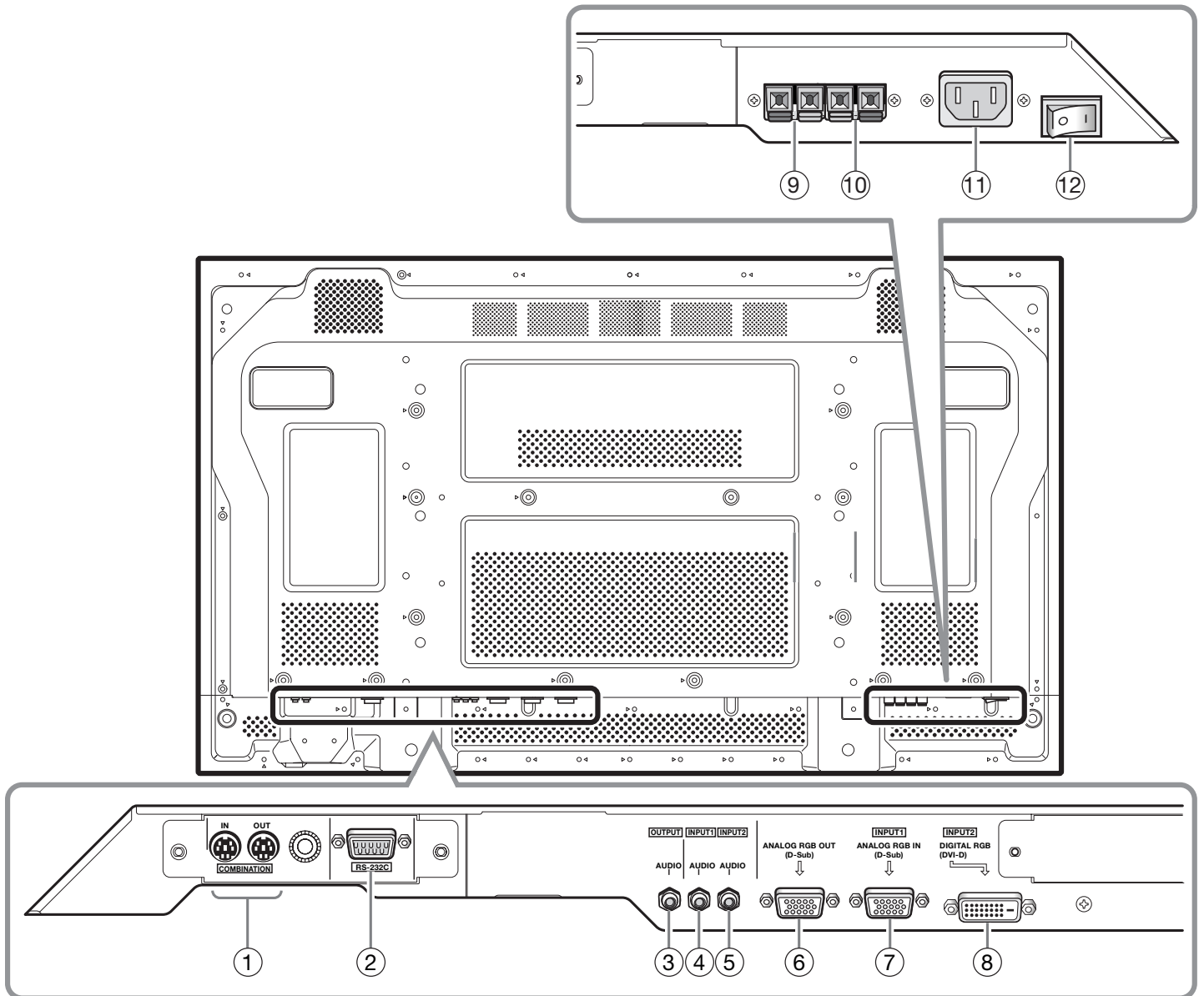


Figure 2-2. PlasmaWall Model SP-42DHD Rear Panel

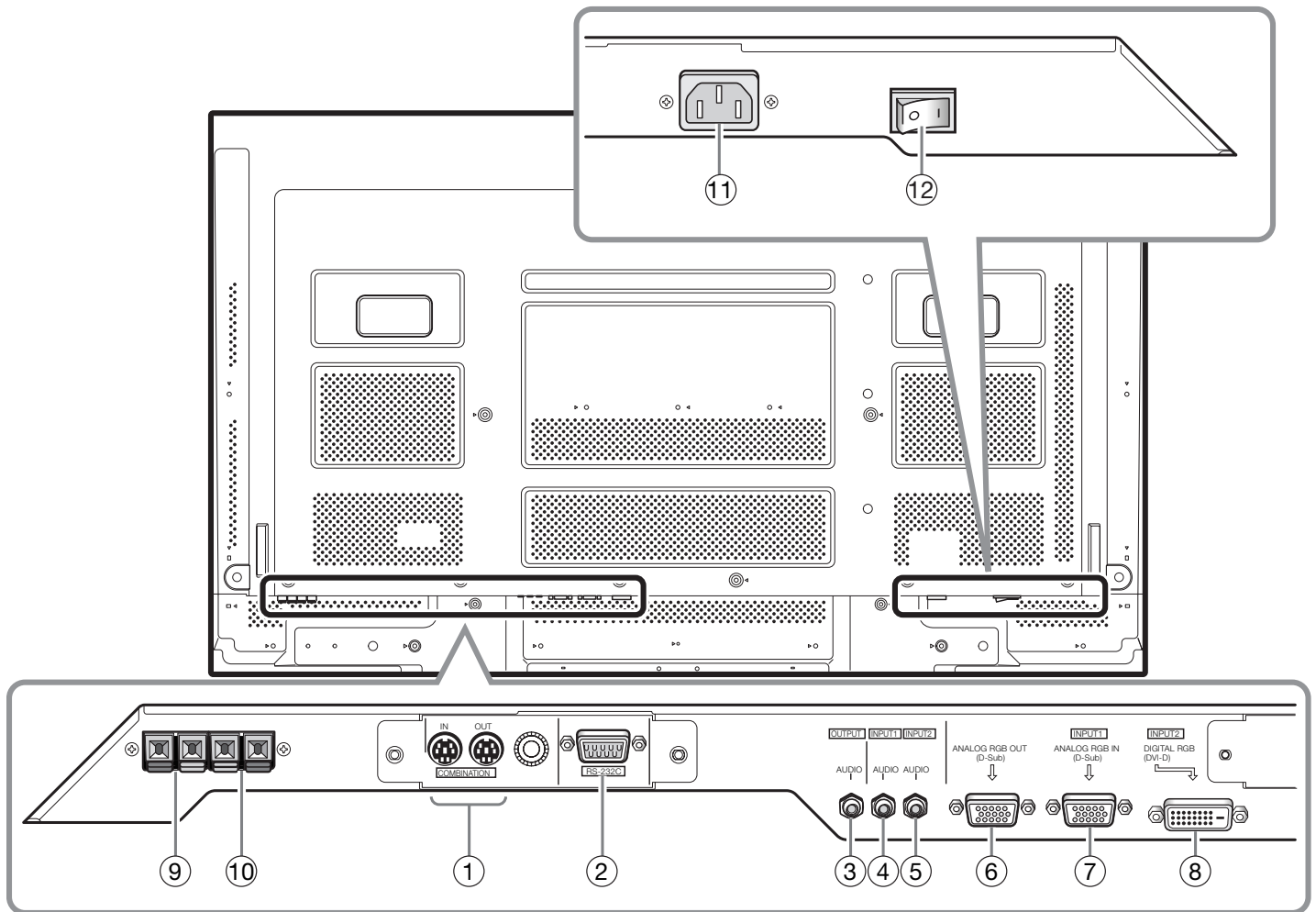


Figure 2-3. PlasmaWall Model SP-50DHD Rear Panel

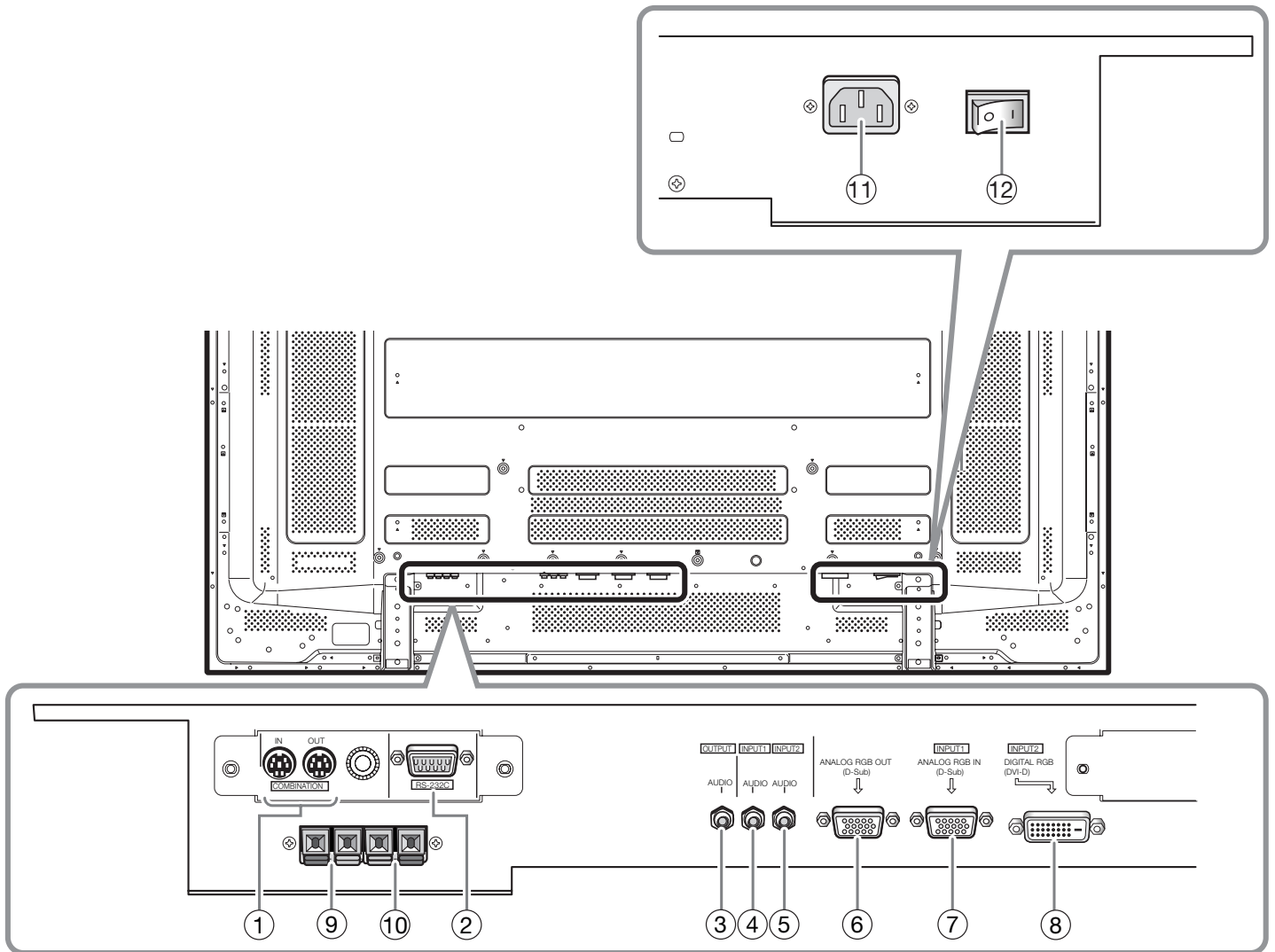


Figure 2-4. PlasmaWall Model SP-60DHD Rear Panel

1. **COMBINATION IN/OUT**
Not used.
2. **RS-232C (9-pin, male D-Sub)**
Connect the RS-232 OUT port on the DHD Controller to this input.
3. **AUDIO (OUTPUT) (3.5-mm stereo mini jack)**
Not used with this model.
4. **AUDIO (INPUT 1) (3.5-mm stereo mini jack)**
Not used with this model. Connect the audio outputs from your sources to an external audio receiver.
5. **AUDIO (INPUT 2) (3.5-mm stereo mini jack)**
Not used with this model. Connect the audio outputs from your sources to an external audio receiver.
6. **ANALOG RGB OUT (INPUT 1) (15-pin D-Sub)**
If desired, connect this output to the RGB input of a second display device.

**Note**

This output is not active when the PlasmaWall is off or in standby mode.

7. **ANALOG RGB IN (INPUT 1) (15-pin D-Sub)**
Connect the RGBHV (5xBNC) output from the DHD Controller here.
8. **DIGITAL RGB (INPUT 2) (DVI-D)**
HDCP-compliant digital video input. **Connect the DVI output from the DHD Controller to this input.**
9. **EXTERNAL SPEAKER OUTPUT (RIGHT)**
Not used. Connect speakers to an external audio amplifier/receiver.
10. **EXTERNAL SPEAKER OUTPUT (LEFT)**
Not used. Connect speakers to an external audio amplifier/receiver.
11. **POWER INPUT (100 to 240 VAC)**
Connect the PlasmaWall to power here, using the included power cord.
12. **MAIN POWER SWITCH**
Connects or disconnects the PlasmaWall from the AC power source.

2.2 DHD Controller Front Panel

Figure 2-5 shows the controls and indicators on the DHD Controller front panel; the paragraphs that follow describe them.

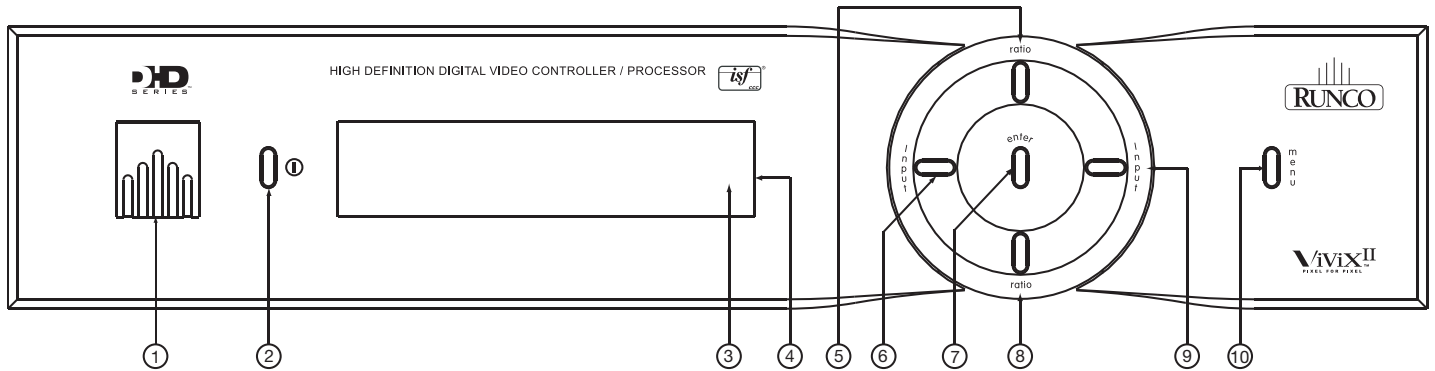


Figure 2-5. DHD Controller Front Panel

1. **RUNCO ICON**
Lights red to indicate that the DHD Controller is in standby mode; lights blue to indicate that the unit is on.
2. **POWER BUTTON**
Press once to toggle from standby mode to on mode. Press it again to return to standby mode. For a discrete on or off command, you can use the direct access buttons on the remote control.
3. **IR SENSOR**
Receives IR commands from the remote.
4. **VACUUM FLUORESCENT DISPLAY**
Can be used instead of the On-Screen Display (OSD). Displays currently-selected menu or – if no menu is selected – the current source, signal format (NTSC or PAL), input resolution and aspect ratio.

5. UP BUTTON

Use to direct-select aspect ratios or move the menu cursor up in the OSD. When no menu is present on-screen, the **UP** button toggles through aspect ratios in the following order:

Anamorphic - Standard (4:3) - Letterbox - VirtualWide - Cinema

(For more information about aspect ratios, refer to Table 4-1.)

6. LEFT BUTTON

Used to direct-select inputs or move the menu cursor left in the OSD. When no menu is present on-screen, the **LEFT** button toggles through the different sources, in this order:

HD Pass Thru 2 - HD Pass Thru 1 - DVI 2 - DVI 1 - HD/RGB2 - HD/RGB1 -
Component SD - S-Video 2 - S-Video 1 - Composite

7. ENTER BUTTON

When an item is highlighted on the OSD, press **ENTER** to select it.

8. DOWN BUTTON

Use to direct-select aspect ratios or move the menu cursor down in the OSD. When no menu is present on-screen, the **DOWN** button toggles through the different aspect ratios, in this order:

Cinema - VirtualWide - Letterbox - Standard (4:3) - Anamorphic

9. RIGHT BUTTON

Used to direct-select inputs or move the menu cursor right in the OSD. When no menu is present on-screen, the **RIGHT** button toggles through the different sources, in this order:

Composite - S-Video 1 - S-Video 2 - Component SD - HD/RGB 1 - HD/RGB 2 - DVI 1
- DVI 2 - HD Pass Thru 1 - HD Pass Thru 2

10. MENU BUTTON

Pressing the **MENU** button brings up the main menu. Also, if you are in an adjustment mode or function, pressing **MENU** brings the menu back one level.

2.3 DHD Controller Rear Panel

Figure 2-6 shows the rear connector panel on the DHD Controller.

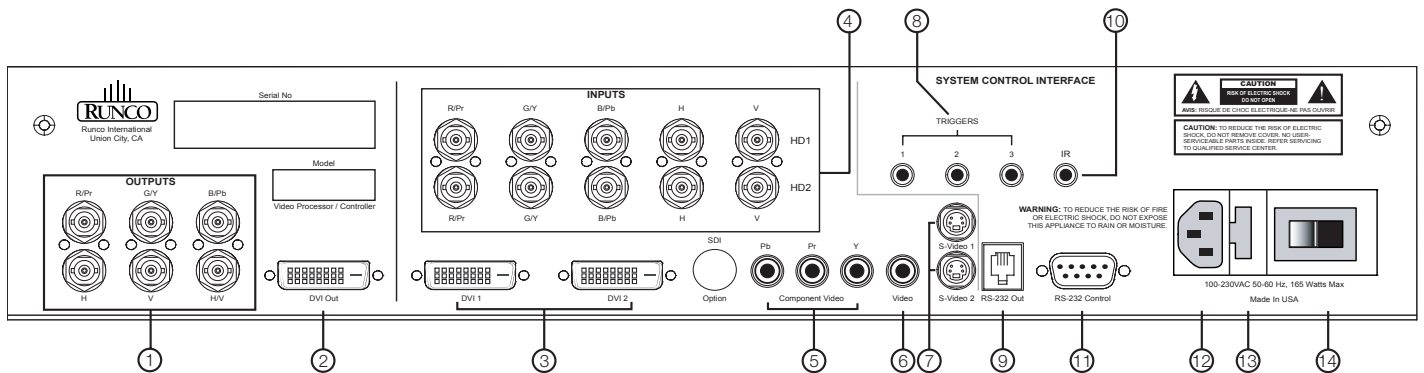


Figure 2-6. DHD Controller Rear Panel

- Outputs** ➤
- 1. ANALOG OUTPUTS (RGBHV)**
Connect these to the **ANALOG RGB IN** input of the PlasmaWall, using a 5 x BNC-to-VGA breakout cable.
 - 2. DVI OUT**
Connect this to the **DIGITAL RGB** (DVI-D) input on the PlasmaWall.
- Inputs** ➤
- 3. DVI 1 / DVI 2 (Digital)**
Two, HDCP-compliant digital video inputs for connecting a DVD player or HD tuner with a DVI or HDMI output.
 - 4. HD1 / HD2 (5 x Analog BNCs)**
Two inputs (five BNCs per input) for connecting either RGB or component high-definition television signals. The DHD Controller automatically detects the signal format: RGB(HV) or YPrPb, 480p, 720p, 480i, 576i or 1080i.
 - 5. COMPONENT VIDEO (RCA connectors)**
Standard Definition (480i/576i) Component (YPrPb) input. This is the input for component video from sources such as DVD players.



Tip

For best results, do not run your DVD player in progressive mode.

6. COMPOSITE VIDEO INPUT

Standard composite video input for connecting a VCR, camcorder, laser disc player or other composite video source.

7. S-VIDEO 1 / S-VIDEO 2

Two, standard S-Video inputs for connecting a DVD player, satellite receiver or Super VHS (S-VHS) VCR.

8. 12-VOLT (750 mA) TRIGGER OUTPUTS

Connection for up to three (3), 12-volt trigger-controlled devices.

9. RS-232 OUTPUT (6-Wire, RJ-11 jack)

Connect this to the **RS-232C** input of the PlasmaWall, using the supplied serial port adapter and communication cable.

10. IR

Wired input from an external remote control or infrared receiver. It is a 3.5-mm, mini phono jack, wired as follows:

Ring = +5V

Tip = IR Input

Sleeve = Ground

**Note**

When an external remote control or infrared receiver is connected to the wired IR input, the IR sensor on the front of the DHD Controller is disabled.

11. RS-232 CONTROL PORT

A female, 9-pin D-sub connector for interfacing with a PC or home theater automation/control system.

12. POWER INPUT (100 to 240 VAC)

Connect the DHD Controller to power here.

13. MAIN AC FUSE

This is the main AC input fuse (5mm x 20mm, 500 mA, 250V slow-blow).

14. MAIN POWER SWITCH

Disconnects or applies power to the DHD Controller.

2.4 DHD Controller Remote Control

Figure 2-7 shows the DHD Controller remote control, and the paragraphs that follow describe its functionality.

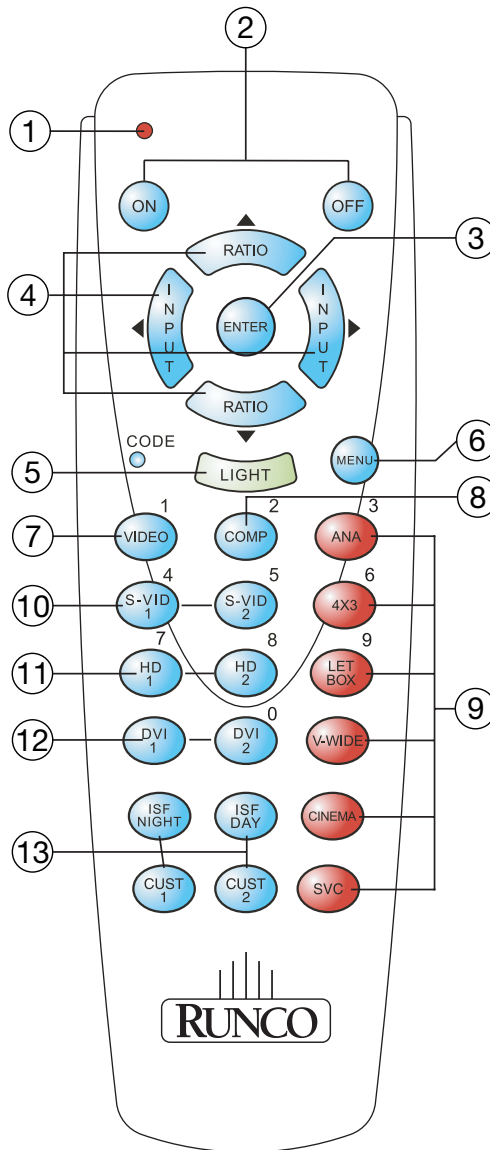


Figure 2-7. DHD Controller Remote Control

-
1. **IR OUTPUT INDICATOR**
Lights when a button is pressed to indicate that an IR signal is being transmitted.
 2. **ON / OFF**
Press to turn the PlasmaWall on or off.
 3. **ENTER**
Press to select a highlighted menu item or confirm a changed setting.
 4. **Cursor Keys (▲, ◀, ▼, ▶)**
Use these buttons to select items or settings, adjust settings or switch display patterns.

When no menus are present on-screen, the **UP** and **DOWN** buttons toggle through the available aspect ratios, in this order:

UP Button = Anamorphic - Standard (4:3) - Letterbox - VirtualWide - Cinema

DOWN Button = Cinema - VirtualWide - Letterbox - Standard (4:3) - Anamorphic

Likewise, the **LEFT** and **RIGHT** buttons toggle through the different source inputs, in this order:

LEFT Button = HD Pass Thru 2 - HD Pass Thru 1 - DVI 2 - DVI 1 - HD/RGB2 - HD/RGB 1 - Component SD - S-Video 2 - S-Video 1 - Composite

RIGHT Button = Composite - S-Video 1 - S-Video 2 - Component SD - HD/RGB 1 - HD/RGB 2 - DVI 1 - DVI 2 - HD Pass Thru 1 - HD Pass Thru 2

5. **LIGHT**
Press to illuminate the buttons.
6. **MENU**
Press this button to access the OSD controls, or to exit the current menu and return to the previous one.
7. **VIDEO (1)**
Press to select Composite video input as the source or to enter the numeric character "1."
8. **COMP (Component) (2)**
Press to select Component SD (480i/576i) video input as the source or to enter the numeric character "2."

9. **Aspect Ratio Selection Buttons**

Use the red buttons to select an aspect ratio directly or to enter numeric characters, as follows:

ANA (Anamorphic) (3)

For viewing 16:9 DVDs or HDTV programs in their native aspect ratio.

4X3 (Standard 4:3) (6)

Scales the input signal to fit 4:3 display mode in the center of the screen.

LETBOX (Letterbox) (9)

For viewing LaserDisc movies or non-anamorphic DVDs on a 16:9 screen.

V-WIDE (VirtualWide)

Enlarges a 4:3 image horizontally in a NON-linear fashion to fit 16:9 full screen display.

CINEMA

For viewing 2.35:1 source material on a 1.78:1 (16:9) screen. The upper and lower portions are masked.

SVC

Not used.

10. **S-VID 1 (4) / S-VID 2 (5) (S-Video)**

Press to select an S-Video input or to enter the numeric character "4" or "5."

11. **HD 1 (7) / HD 2 (8)**

Press to select a HD (RGBHV or YPbPr component) input or to enter the numeric character "7" or "8."

12. **DVI 1 / DVI 2 (0)**

Press to select a Digital Video input. Press **DVI2** to enter the numeric character "0."

13. **Memory Preset Buttons:**

ISF NIGHT

Press to recall settings for the current input from the "ISF Night" memory preset.

ISF DAY

Press to recall settings for the current input from the "ISF Day" memory preset.

CUST 1

Press to recall settings for the current input from the "Custom 1" memory preset.

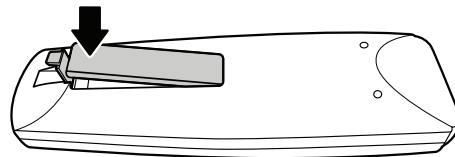
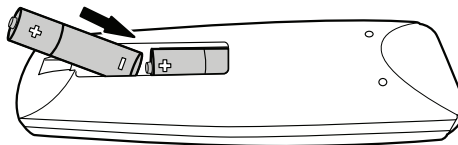
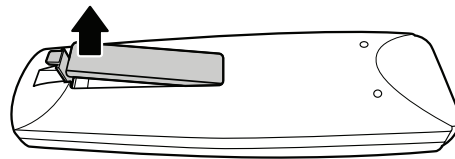
CUST 2

Press to recall settings for the current input from the "Custom 2" memory preset.

3. Installation

To install batteries in the remote control:

1. Press down the tab on the cover and pull the cover in the direction of the arrow.
2. Insert the included batteries. Ensure that the polarities correctly match the \oplus and \ominus markings inside the battery compartment.
3. Insert the lower tab of the cover into the opening, and press down the cover until it clicks in place.



- When installing batteries, make sure that the battery polarities are correct.
- Do not mix an old battery with a new one or different types of batteries.
- If you will not use the remote control for a long time, remove the batteries to avoid damage from battery leakage.

The remote control can be used to control the PlasmaWall within the ranges shown in Figure 3-1.

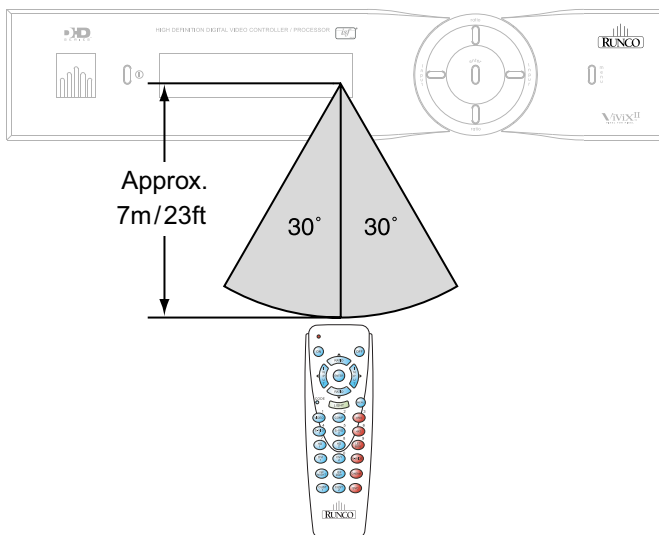


Figure 3-1. Available Range of the Remote Control

3.1 Remote Control

◀ Notes on Batteries

◀ Notes on Remote Control Operation

- Do not drop the remote control or expose it to moisture or high temperature.
- The remote control may malfunction under a fluorescent lamp. If that occurs, move the plasma display away from the fluorescent lamp.
- Make sure that there is nothing obstructing the infrared beam between the remote control and the IR receiver on the plasma display.



Note

The signal from the remote control can be reflected by walls or other surfaces.

- If the effective range of the remote control decreases, or it stops working, replace the batteries with new ones.
- Ambient conditions may possibly impede the operation of the remote control. If this happens, point the remote control at the plasma display and repeat the operation.

Table 3-1 gives a quick overview of the PlasmaWall installation process. The sections following this one provide detailed instructions.

3.2 Quick Setup



Note

Installation should be performed by a qualified custom video installation specialist.

Table 3-1. Installation Overview

Step	Procedure	For Details, refer to page...
1	Mount the PlasmaWall on a wall or table stand	20
2	Connect the DHD Controller to the PlasmaWall	23
3	Connect signal sources to the DHD Controller	25
4	Connect external controller to DHD Controller RS-232 port (optional)	29
5	Apply power to the PlasmaWall	31
6	If using the PlasmaWall with a computer, adjust computer display properties	32
7	Display calibration: adjust the following for each input ; save settings when finished: <ul style="list-style-type: none"> • Aspect ratio • Brightness • Contrast • Color level • Tint • Sharpness 	36 through 44

3.3 Installation Considerations

Proper installation of your PlasmaWall will ensure the highest possible picture quality. Whether you are installing the PlasmaWall temporarily or permanently, you should take the following into account to ensure that it performs optimally.

High-Altitude Operation ➤

Due to the design of all plasma glass panels made by every manufacturer, and the interaction between ambient air pressure and the plasma gases contained inside of the panel, reliable operation of your plasma display cannot be assured during operation at certain high-altitude locations.

Runco has found the SP-42DHD, SP-50DHD and SP-60DHD to operate reliably at altitudes of up to 6000 feet MSL (mean sea level). The SP-42DHDxa, SP-50DHDxa and SP-60DHDxa have been found to operate reliably at altitudes of up to 9000 feet MSL.

At higher elevations, each panel may react differently, depending upon the altitude, air pressure, humidity and other meteorological factors. If you are planning to use this product at a location above 9000 feet, please contact Runco technical support for further information.

Mounting the PlasmaWall on a Wall or Table Stand ➤

To install the PlasmaWall, you will need either an optional table stand or wall-mounting kit. The PlasmaWall cannot be installed on its own.

If you do decide to wall-mount the PlasmaWall, ensure that the wall-mount bracket is installed according to the instructions included with it. The wall must be capable of supporting a redundant weight factor three (3) times the weight of the display, or be reinforced.

Runco recommends that this be done by a custom installation specialist.

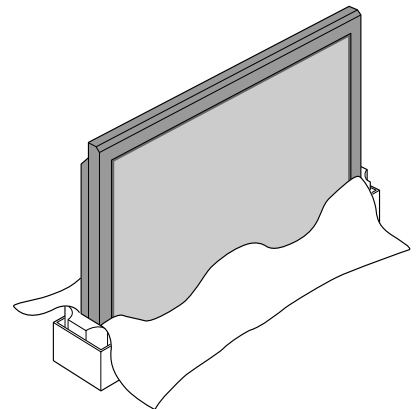


Note

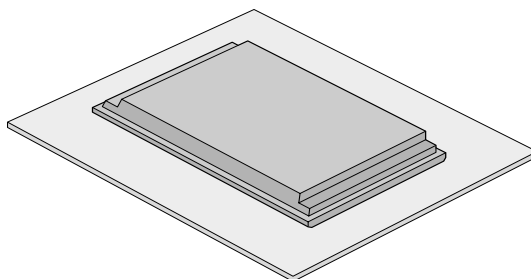
Use only a Runco-approved wall-mount kit or table stand that is specifically designed for your display.

You can attach your optional mounts or stand to the PlasmaWall in either of two ways:

- While it is upright.



- As it lies flat with the screen face down. Place the protective sheet, which was wrapped around the plasma monitor when it was packaged, between the screen and your work surface to avoid scratching or otherwise damaging the screen surface.



In general, minimize or eliminate light sources directed at the display. Contrast ratio in your images will be noticeably reduced if light directly strikes the display, such as when a shaft of light from a window or floodlight falls on the image. Images may then appear washed out and less vibrant.

◀ **Ambient Light**

If you are mounting the PlasmaWall in an enclosure, leave at least 2 inches (50 mm) of space on all sides between it and surrounding objects, as shown in Figure 3-2. This allows heat to disperse, maintaining the proper operating temperature.

◀ **Ventilation**

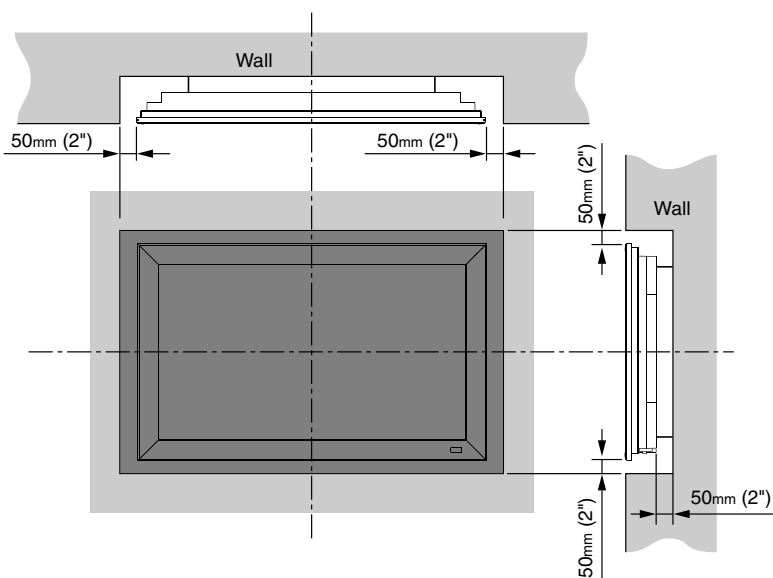


Figure 3-2. Ventilation Requirements for Enclosure Mounting

- Other Considerations** ➤ Other considerations and tips that can help improve your installation, avoid damage and prolong operating life:
- Keep the ambient temperature constant and below 35°C (95°F). Keep the display away from heating and/or air conditioning vents. Changes in temperature may cause drifts in the display circuitry, which may affect performance.
 - Keep the PlasmaWall away from devices that radiate electromagnetic energy such as motors and transformers. Common sources of these include slide projectors, speakers, power amplifiers and elevators.
 - Handle the unit carefully when installing or carrying it. Use the built-in handles; DO NOT touch or hold the screen face.
 - Set the unit away from heat, excessive dust, and direct sunlight.
 - Protect the inside of the unit from liquids and small metal objects. In case of accident, unplug the power cord and have it serviced by an authorized Service Center.
 - Do not hit or scratch the panel surface as this causes flaws on the surface of the screen.
 - For correct installation and mounting it is strongly recommended to use a trained, authorized dealer.
 - To avoid sulfurization, it is strongly recommended not to place the unit in a dressing room in a public bath or hot spring bath.

Proceed as follows to connect the PlasmaWall to the DHD Controller, your video sources, external controller(s) – if present – and AC power.

When connecting your equipment:

- Turn off all equipment before making any connections.
- Use the correct signal cables for each source.
- Ensure that the cables are securely connected. Tighten the thumbscrews on connectors that have them.

Connect the DHD Controller to the PlasmaWall as shown in Figure 3-3 and described in the sections that follow.

3.4 Connections to the PlasmaWall and DHD Controller

◀ Connecting the PlasmaWall to the DHD Controller

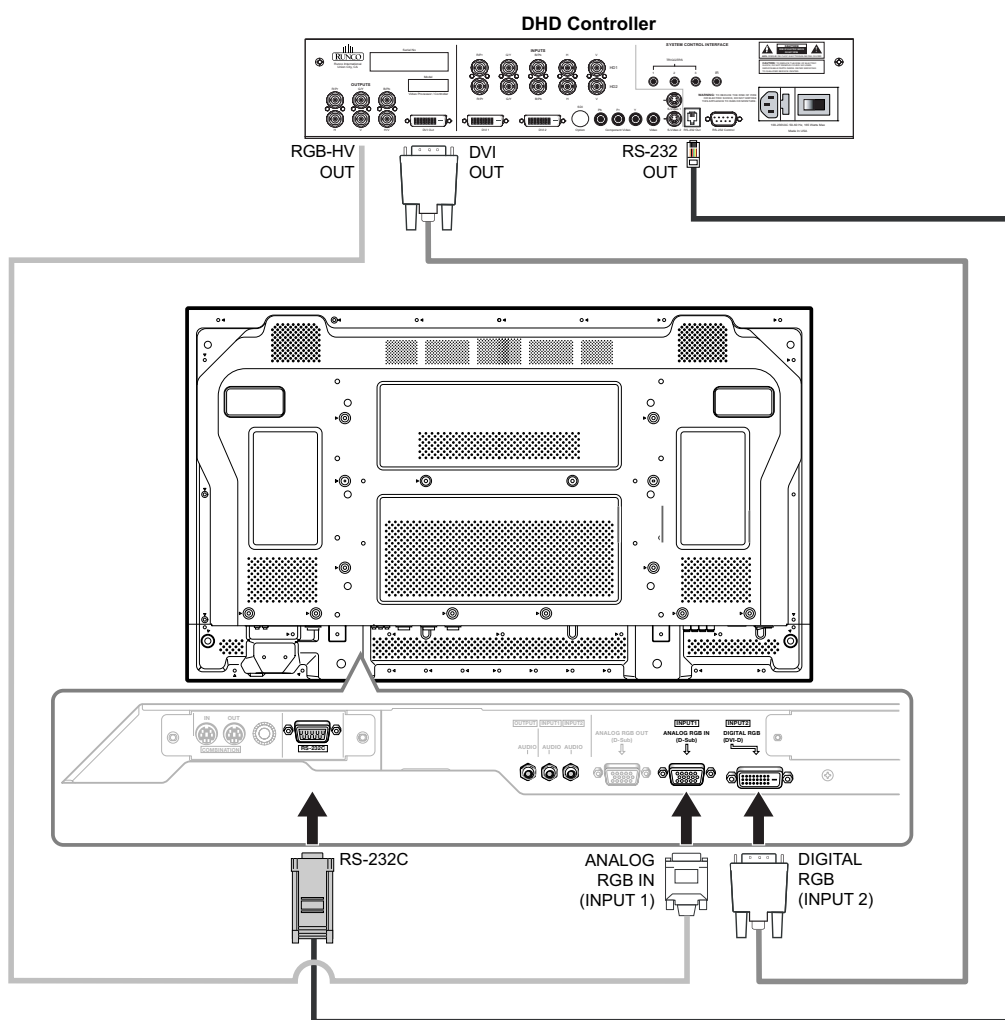


Figure 3-3. Connecting the PlasmaWall to the DHD Controller

Digital Video Connection: The PlasmaWall has a DVI input, labeled **DIGITAL RGB**. Connect the DVI output from the DHD Controller to this input, using a standard DVI cable.

RGBHV Connection: Connect the RGBHV output from the DHD Controller to the **ANALOG RGB IN** input on the PlasmaWall. Use a standard, RGBHV breakout cable with five BNCs at the DHD end and a 15-pin, D-sub male connector at the PlasmaWall end.

RS-232 Connection: Connect the RS-232 output from the DHD Controller to the **RS-232C** input on the PlasmaWall. Use a standard, modular telephone cable with RJ11 plugs at both ends. On the PlasmaWall end, use the provided RJ11-to-DB9 adapter. This adapter is wired as shown in Figure 3-4.

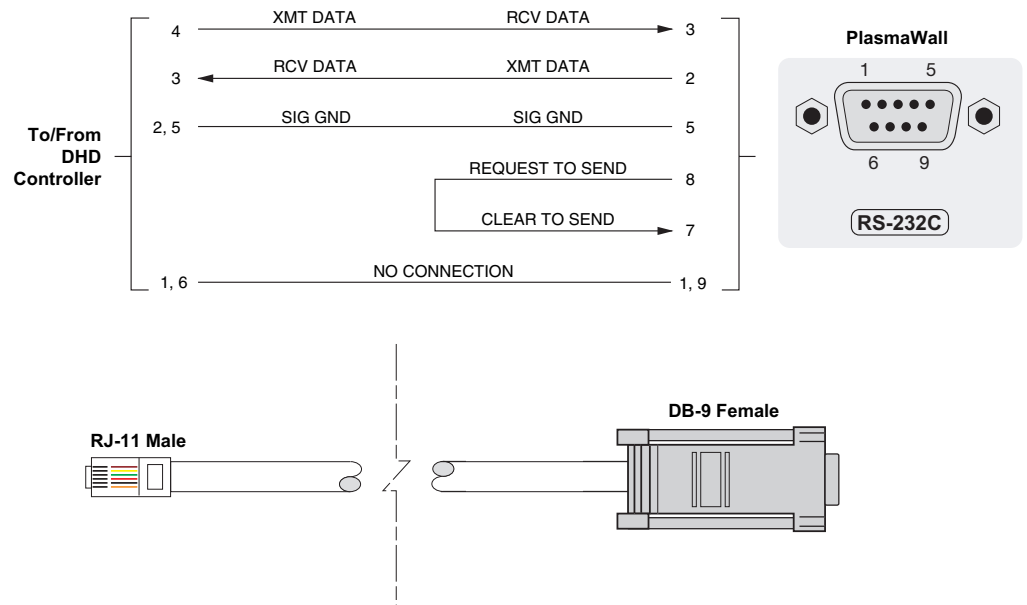


Figure 3-4. RS-232 Connection from the DHD Controller to the PlasmaWall

Connect your video sources to the DHD Controller as shown and described in the sections that follow.

◀ **Connecting Source Components to the DHD Controller**

DVI Connections: See Figure 3-5.



Tip

Use the DVI inputs whenever possible. This ensures the highest video quality because the signal is carried in the digital domain throughout the entire signal path, from source component output into the display.

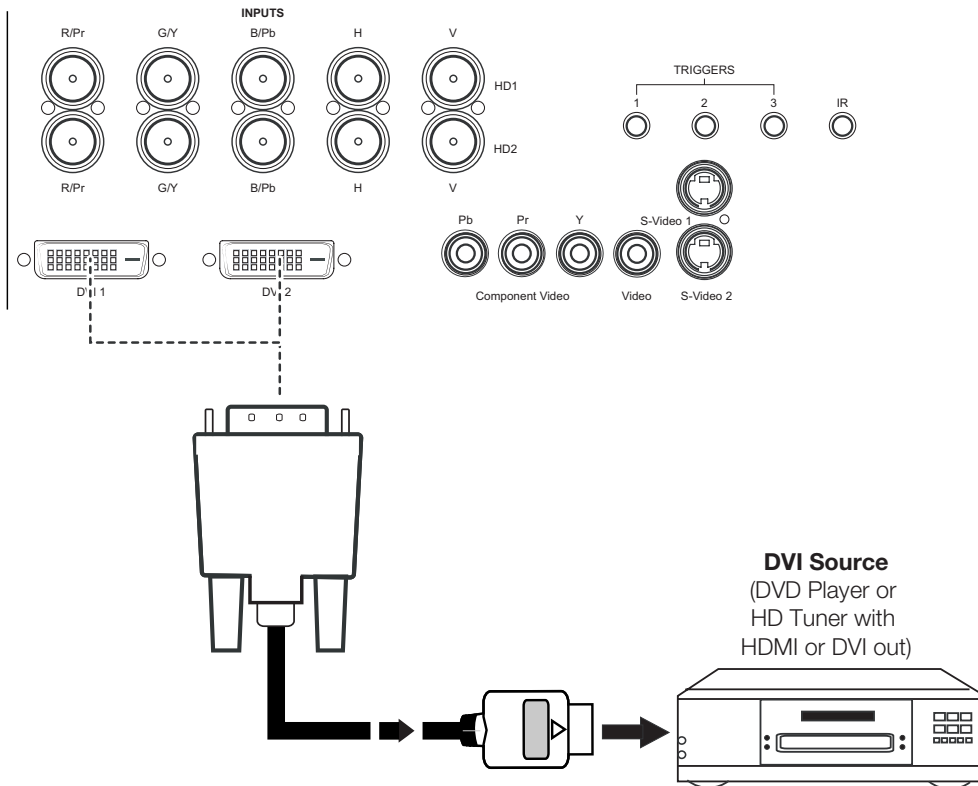


Figure 3-5. DVI Source Connections

Digital (DTV) RGB Connections: See Figure 3-6.

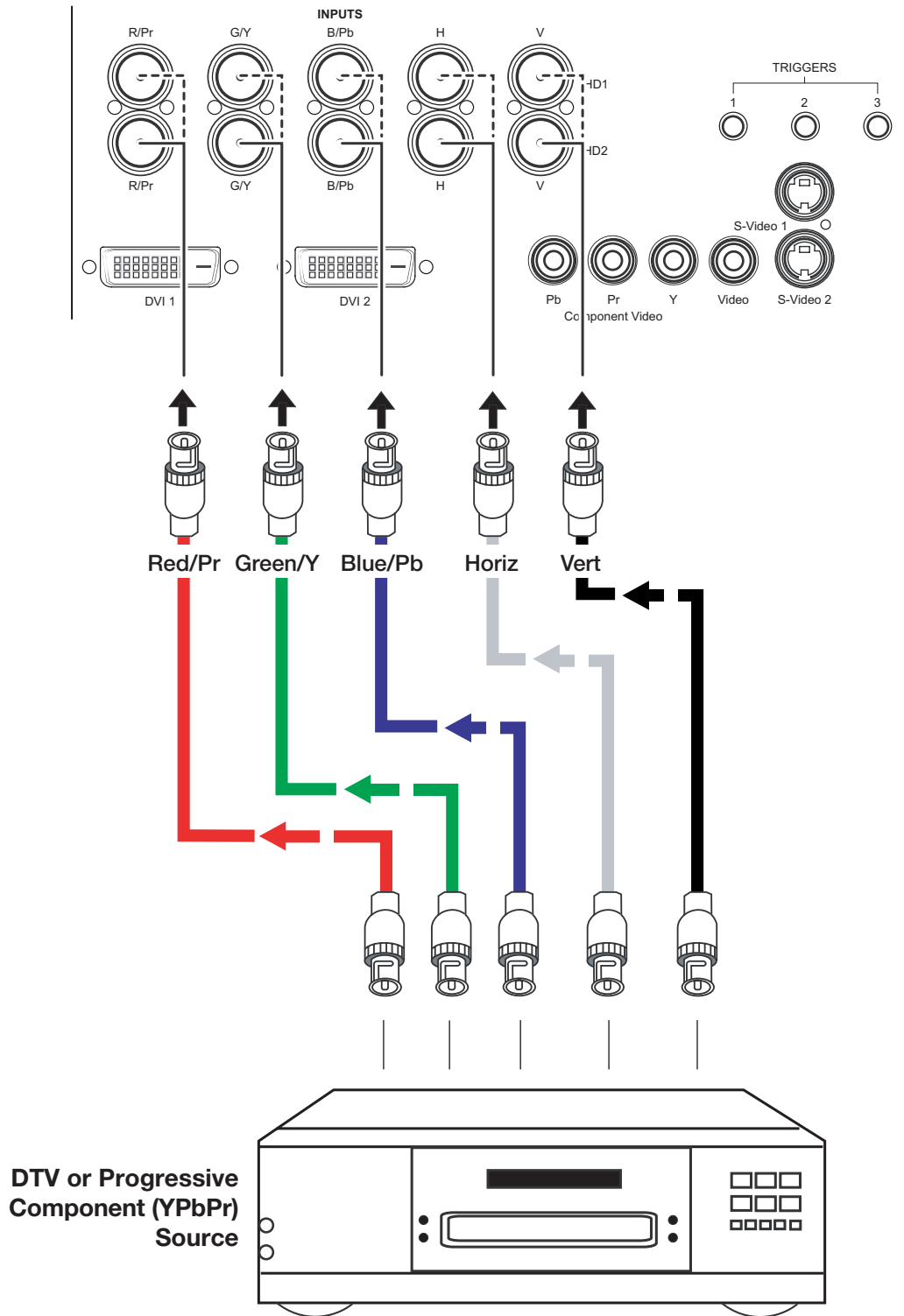


Figure 3-6. Digital (DTV) RGB Connections

Analog (Computer) RGB Connections: See Figure 3-7.



Note

1. Refer to **Computer/Video Signal Compatibility** on page 64 for a list of computer signals compatible with the PlasmaWall. Use with signals other than those listed may cause some functions not to work.
2. Some Macintosh computers may require a Macintosh video adapter. Contact your nearest authorized service center or dealer.

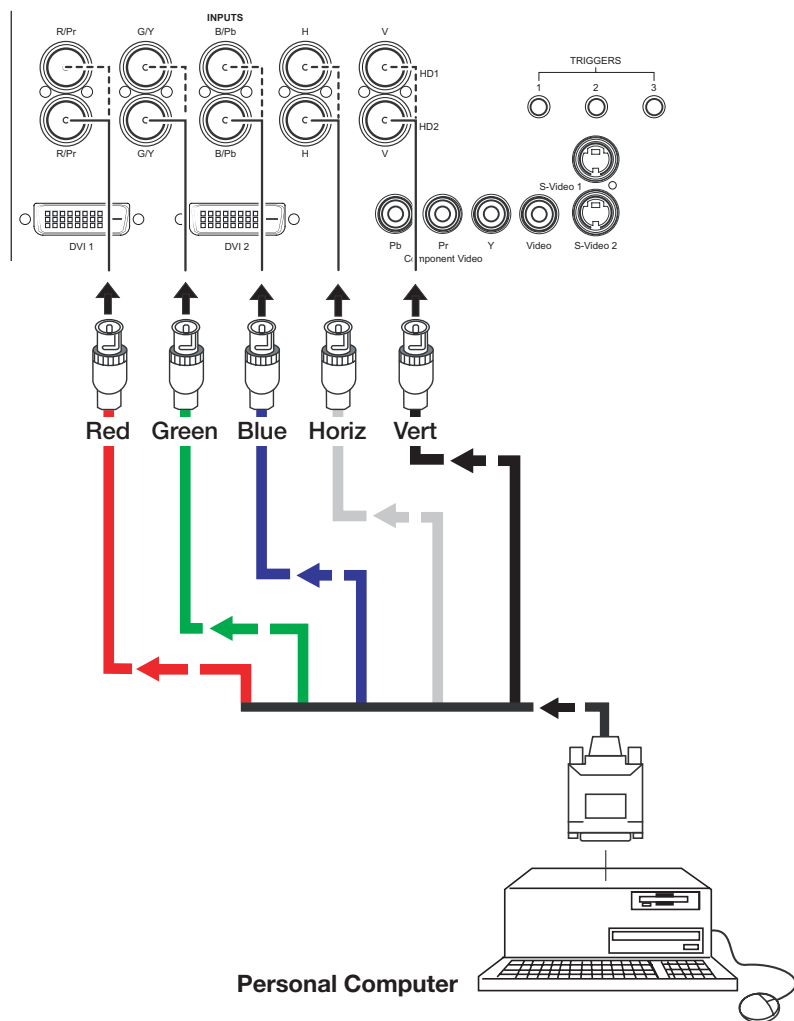


Figure 3-7. Analog RGB Connections

Composite/S-Video/Component Video Connections: See Figure 3-8.

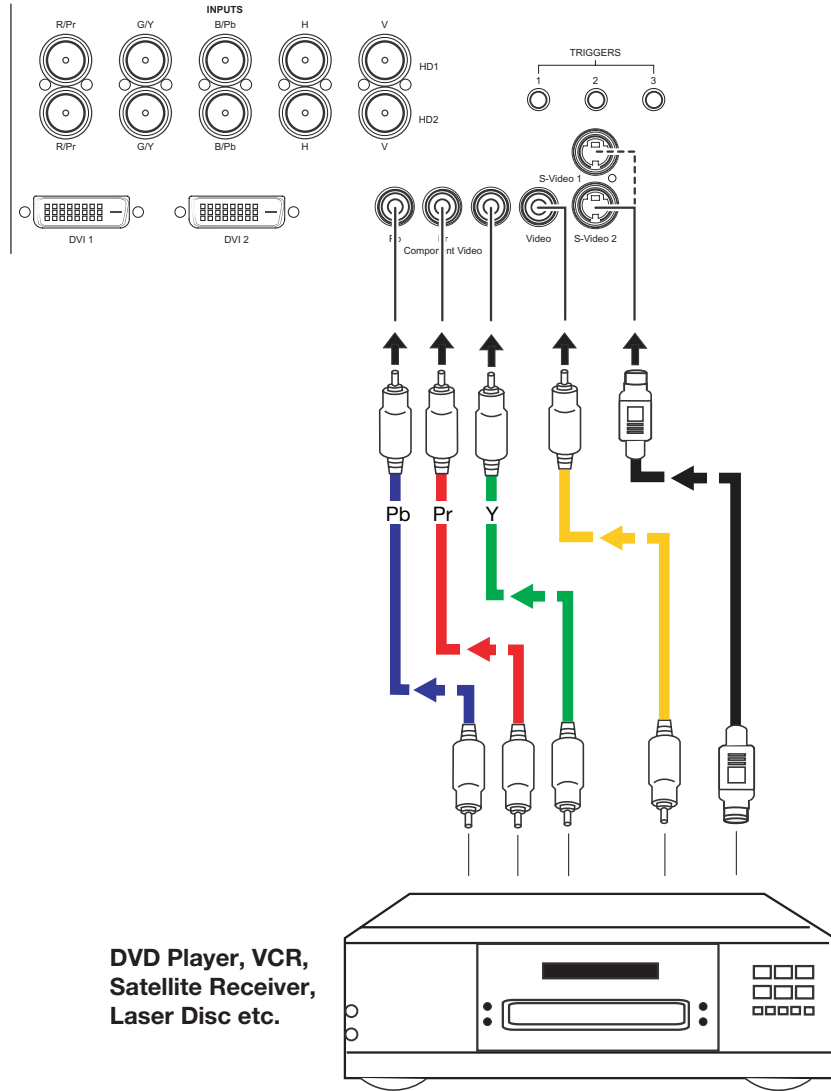


Figure 3-8. Composite, S-Video and Component Video Connections

Use a standard, 9-pin RS-232 cable to connect a PC or home theater control/automation system (if present) to the RS-232 Control port on the DHD Controller; see Figure 3-9.

◀ **RS-232 Controller Connection**

For more information about using this connection, refer to **Serial Communications** on page 53.

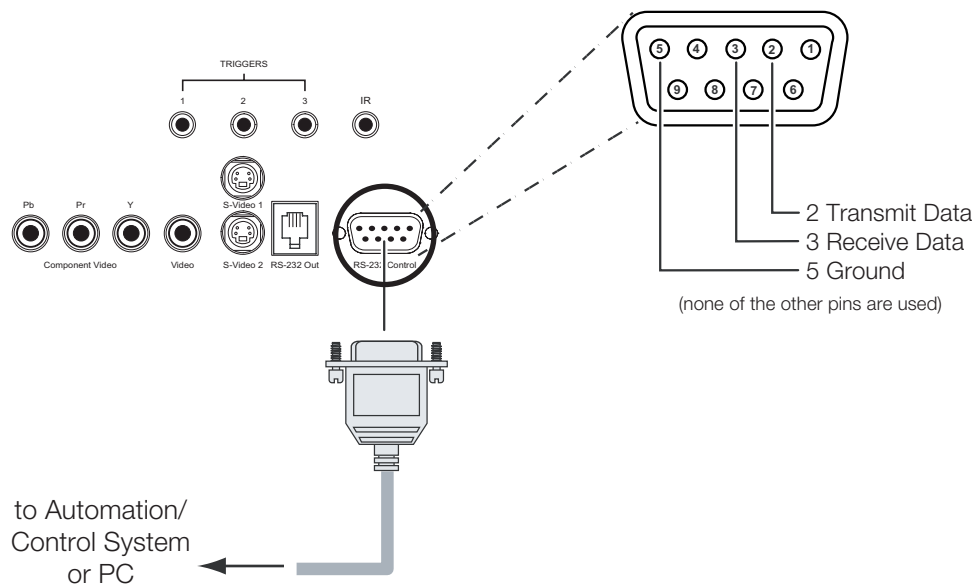


Figure 3-9. RS-232 Control System Connection

If your home theater contains equipment that responds to 12-Volt triggers, connect it to the 12-Volt trigger outputs as shown in Figure 3-10.

◀ **Connecting 12-Volt Trigger Outputs to External Equipment**

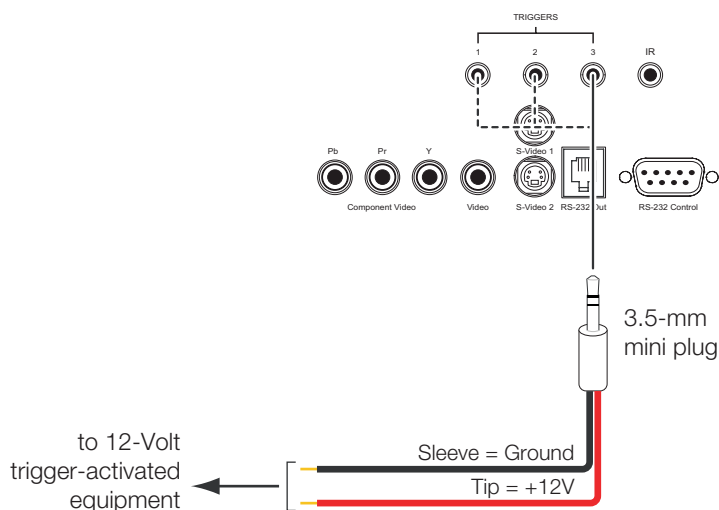


Figure 3-10. Connecting 12-Volt Trigger Outputs

Cable Management ➤ To minimize cable clutter, you can use the cable ties provided with the PlasmaWall to bundle the video, control and power cables at the back of the display. Install the cable ties as shown in Figure 3-11. Cables can be routed to the right or left.



Note

Do not allow excessive stress to be placed on the ends of cables.

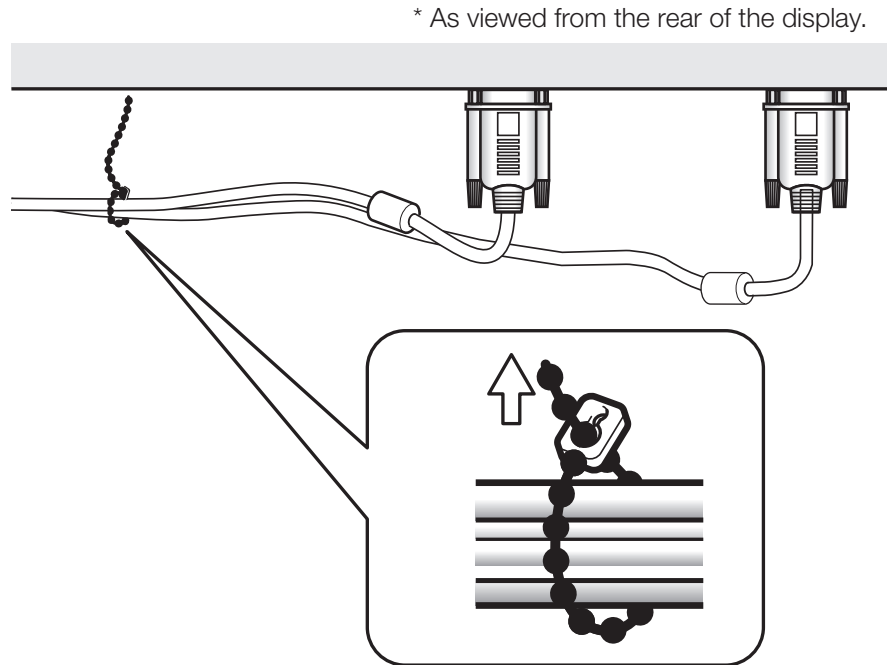
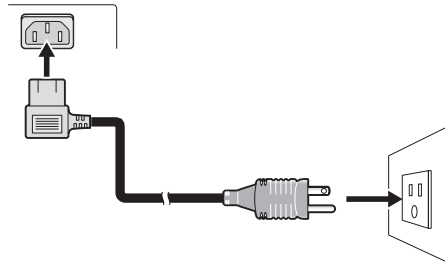


Figure 3-11. Installing the Cable Ties

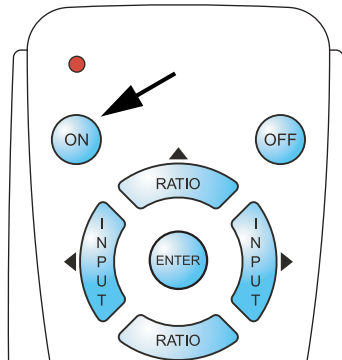
4. Operation

1. Turn on your source components.
2. Plug the female end of the power cord into the AC receptacle on the rear of the PlasmaWall. Connect the other end to your AC power source.



4.1 Turning on the Power

3. Similarly connect the DHD Controller to a nearby AC outlet.
4. Set the main power switch at the rear of the PlasmaWall (see Figure 2-2) to the “on” position. Its power indicator lights red.
5. Set the main power switch at the rear of the DHD Controller (see Figure 2-6) to the “on” position.
6. Press the **ON** button on the remote control to turn on the DHD Controller and PlasmaWall (or press the power button on the front of the DHD Controller). The power indicator on the DHD Controller lights solid blue.
7. After a brief warm-up period (approximately 10 seconds), the PlasmaWall will display an image.



4.2 Selecting the Input Source

By default, the PlasmaWall is configured to display the signal received on its RGBHV (**ANALOG RGB IN**) input. To use the DVI-D (**DIGITAL RGB**) input instead:

1. Press **MENU** and enter the Service Menu passcode.



Note

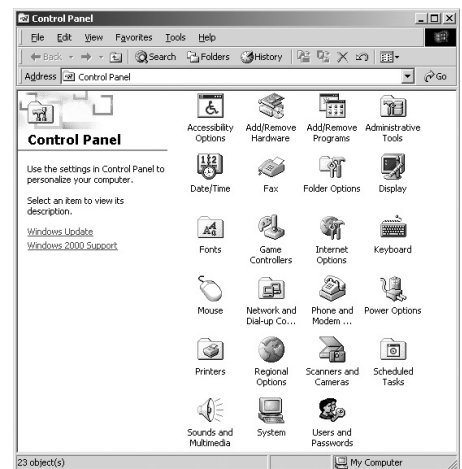
You must enter a passcode to access the Service menu.

2. Select **Service** from the Main Menu.
3. Select **Display Device** from the Service Menu.
4. Press **▼** to select DVI/HDMI, then press **ENTER**.

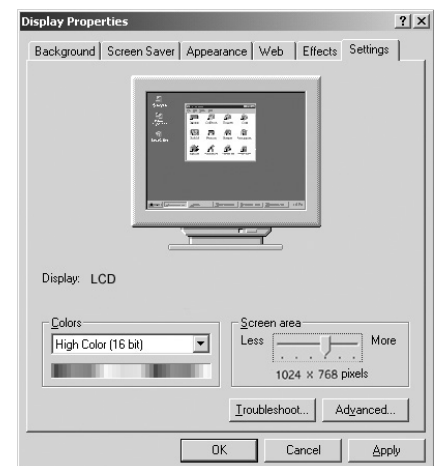
4.3 Setting the Computer Display Properties

To maximize image quality when using the PlasmaWall with a personal computer, you may need to adjust the display properties of your computer's video card. To do this on a Microsoft® Windows®-based PC:

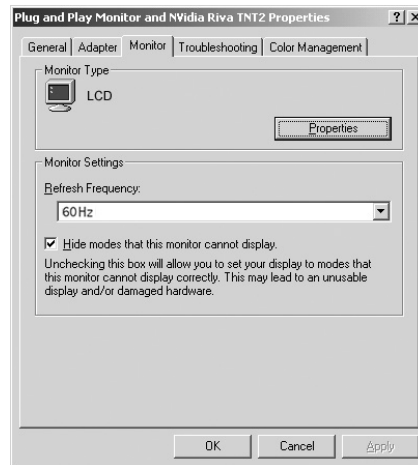
1. Choose Settings from the Windows Start Menu and click on "Control Panel."



2. Double click on the **Display** icon.
3. Click the **Settings** tab on the display dialog box.
4. Adjust the resolution to 1024x768 pixels.



5. Click the **Advanced** button and click the **Monitor** tab on the dialog box. Set the vertical frequency to 60Hz and click **OK**.

**Note**

1. The native resolution of the SP-42DHD is 1024 x 768; the native resolution of the SP-50DHD and SP-60DHD is 1365 x 768. Other horizontal or vertical resolutions may be scaled upward or downward to fit the display.
2. With most computers, you can get the best picture at 1024 x 768 @ 60Hz.
3. For best results when using a computer, set the input on the DHD Controller to HD Pass Thru 1 or HD Pass Thru 2, depending on which RGB/HD input you are using.

**WARNING**

To prevent image retention (burn) on your display, **ALWAYS** use a screen saver and set it to the shortest possible time.

4.4 Using the On-Screen Menus

Press the **MENU** button on either the remote control or the DHD Controller front panel to display the Main Menu. To select a menu item, use the UP (▲) and DOWN (▼) buttons on either the remote control or the DHD Controller front panel to highlight it. Press **ENTER** to confirm your selection.

The PlasmaWall OSD menus are arranged hierarchically, as shown in Figure 4-1. Depending on the selected input source and signal characteristics, some menu options may not be available.

Input Source	Composite	
	S-Video 1	
	S-Video 2	
	Component SD	
	HD/RGB 1	
	HD/RGB 2	
	DVI 1 DVI 2	
Aspect Ratio	HD Pass Thru 1/ HD Pass Thru 2 (available only when Display Device Input Source = RGB)	
	Anamorphic	
	Standard 4:3	
	Letterbox	
	VirtualWide	
Picture	Cinema	
	Brightness	
	Contrast	
	Color	
	Tint	
Input Position	Sharpness	
	Left/Right	
	Up/Down	
	Width	
	Height	
ISF Presets	Overscan	
	Recall ISF Night	
	Recall ISF Day	
	Recall/Save Custom 1	
	Recall/Save Custom 2	
Information (read-only)	Reset Custom 1 & 2 to Factory Default	
	Serial Number	
	Hardware	
	Firmware	
Date		

Calibration	ISF Night - Display Color	Gain
		Offset
		Color Temp. (available only when Display Device Input Source = RGB)
	ISF Night - Input Image	Brightness
		Contrast
		Color
		Tint
	ISF Night - Input Color	Sharpness
		Gain
		Offset
		Chroma Delay
	ISF Day - Display Color	Phase
		Noise Filter
		Gain
		Offset
ISF Day - Input Image	Color Temp. (available only when Display Device Input Source = RGB)	
	Brightness	
	Contrast	
	Color	
ISF Day - Input Color	Tint	
	Sharpness	
	Gain	
	Offset	
ISF Day - Input Color	Chroma Delay	
	Phase	
	Noise Filter	
	Save ISF Settings	Back / Confirm
Output Shift	Left/Right	
	Up/Down	
	Width	
	Height	
Splash Configure	Save	
	Owner Name	
	ISF Calibrated	
	ISF Other	
OSD Position	Runco/ISF Logo Splash Screen Timers (SP-50DHD and SP-60DHD only) (2 ... 60 sec.)	

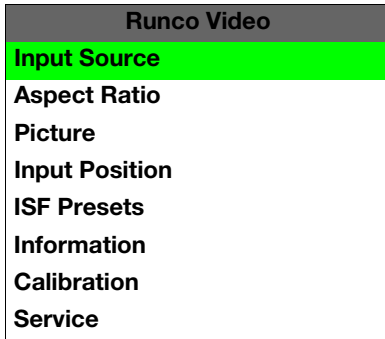
Service	Test Video	Grey Bars 1	
		Grey Bars 2	
		Color Bars 1	
		Color Bars 2	
	Input Names	Rename, Restore or Save	
		Primary	
	Remote Control	Secondary	
		Analog Out Mode	RGB-, RGB++ or RGBS
	Display Device	Input Source	RGB or DVI/HDMI
		Configure	Left/Right
			Up/Down
			Width
	Height		
	HD Format	HD/RGB 1	
		HD/RGB 2	Auto, RGB or YUV
ADC Bandwidth		Auto, 75 MHz, 150 MHz or 300 MHz	
Triggers	YPbPr Input Resolution	Auto, 480i/p, 576i/p, 720p or 1080i	
	1 / 2 / 3 / Save		
Miscellaneous	Language	(currently, English only)	
	Menu Mode		
	Timeout		
	Side Bar Color		
	Film Mode (SD src. only)		
Resolution	800x600 ... 1400x1050 480p ... 720p ... 1080i		
System Reset			
Restore Saved Settings			

Figure 4-1. DHD Controller OSD Menu Structure for PlasmaWall

Main Menu ➤

The Main Menu is the starting point for accessing all display functions.

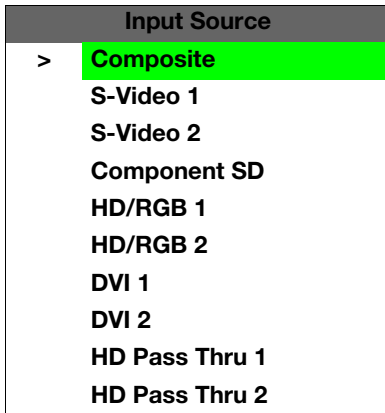
(The Calibration and Service menus are hidden and not accessible until you enter a passcode.)



Input Source ➤

From the Main Menu, select Input Source to choose a video signal source.

The active source is indicated by an arrow (>) to its left; in the example at left, Composite is the active source.



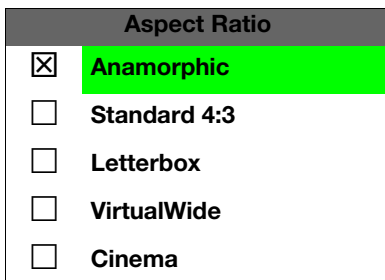
Note

1. HD Pass Thru 1 and HD Pass Thru 2 are available only when the Display Device Input Source is set to **RGB**; refer to **Display Device** on page 46.
2. Selecting HD Pass Thru 1 or HD Pass Thru 2 loops the HD/RGB 1 or HD/RGB 2 input signal respectively to the RGB output. This prevents display of the on-screen menus. To switch from HD Pass Thru 1 or 2 to another source, use the direct access buttons on the remote control, or the left- or right-arrow buttons on the DHD Controller.
3. If the DVI 1 or DVI 2 input is active and the input signal is HDCP-encrypted, the RGBHV output of the DHD Controller is disabled.

Aspect Ratio ➤

To change the aspect ratio (size and shape) of the projected image, select Aspect Ratio from the Main Menu and press **ENTER**. Select the appropriate aspect ratio for your screen size and the type of program material being viewed; refer to Table 4-1.

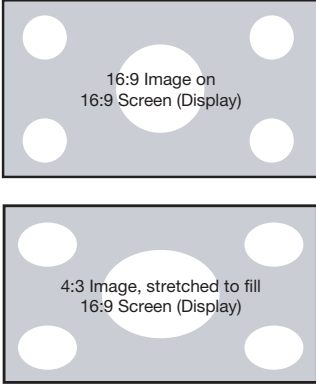
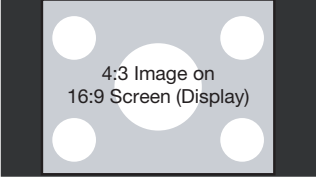
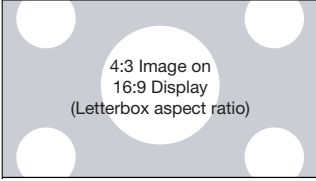

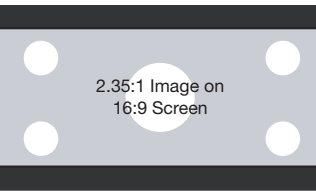
The currently-selected aspect ratio is indicated by a “☒” to its left; in the example at left, Anamorphic is selected.



Note

The aspect ratio selection is automatically saved for each input and resolution.

Table 4-1. Aspect Ratio Settings

Aspect Ratio	Remote Control Key	Description	
16:9 (Anamorphic)	ANA	 <p>16:9 Image on 16:9 Screen (Display)</p> <p>4:3 Image, stretched to fill 16:9 Screen (Display)</p>	<p>Select 16:9 (Anamorphic) to view 16:9 DVDs and HDTV programs in their native aspect ratio.</p> <p>4:3 images are stretched horizontally to fit a 16:9 screen.</p>
Standard 4:3	4X3	 <p>4:3 Image on 16:9 Screen (Display)</p>	<p>Standard 4:3 scales the input signal to fit in the center of the 16:9 screen. 4:3 is the aspect ratio used by computer monitors, standard television programming and most VHS video cassettes.</p>
Letterbox	LET BOX	 <p>4:3 Image on 16:9 Display (Letterbox aspect ratio)</p>	<p>Letterbox mode scales (zooms in on) a 4:3 image linearly (by the same amount on all sides) to fill a 16:9 display. Letterbox is best suited for viewing LaserDisc movies or non-anamorphic DVDs on a 16:9 screen.</p>
VirtualWide	V-WIDE	 <p>4:3 Image on 16:9 Screen with VirtualWide</p>	<p>VirtualWide scales a 4:3 image NON-linearly (more on the sides than in the center) to fit a 16:9 screen.</p>
Cinema	CINEMA	 <p>2.35:1 Image on 16:9 Screen</p>	<p>Select Cinema to view 2.35:1 source material on a 16:9 screen. The upper and lower portions of the screen are masked, but the geometry of the active image area is not changed.</p>

Picture ➤ Use the controls in the Picture Menu to calibrate your PlasmaWall for optimum picture quality.

Picture
Brightness
Contrast
Color
Tint
Sharpness

The PlasmaWall has been designed to incorporate setup and calibration standards established by the Imaging Science Foundation (ISF). The ISF has developed carefully crafted, industry-recognized standards for optimal video performance and has implemented a training program for technicians and installers to use these standards to obtain optimal picture quality from Runco video display devices. Accordingly, Runco recommends that setup and calibration be performed by an ISF-certified installation technician.

All signal types require separate processing. Therefore, you need to calibrate each DHD Controller input separately.



Note

*When you change a picture quality setting, save the change to a preset afterwards. Otherwise, the change will be lost when a different input is selected. (Picture quality settings are saved for each input separately.) For information about saving settings, refer to **ISF Presets** on page 42.*

Although it may be possible to obtain satisfactory picture quality using the naked eye and regular program material, Runco recommends using the following calibration tools for best results:

- External test pattern source – Ovation Multimedia, Video Essentials or AVIA test DVD (or equivalent).
- A blue filter (provided with many test DVDs), for color level and tint adjustments.

Connect your test pattern source to the input that you are calibrating and proceed as follows. **Perform the adjustments in the order listed here.**

Brightness: On your external test pattern source, select a PLUGE pattern. (PLUGE is an acronym for “Picture Line-Up Generation Equipment.”) Figure 4-2 shows a typical PLUGE pattern.

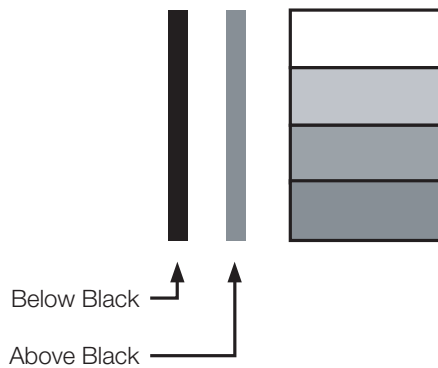


Figure 4-2. Typical PLUGE Pattern for Adjusting Brightness

PLUGE patterns vary but generally consist of some combination of black, white and gray areas against a black background. The example above includes two vertical bars and four shaded boxes.

Select Brightness from the Picture menu and press **ENTER**. Adjust the brightness so that:

- The darkest black bars disappear into the background.
- The dark gray areas are barely visible.
- The lighter gray areas are clearly visible.
- The white areas are a comfortable level of true white.
- The image contains only black, gray and white (no color).

Contrast: On your external test pattern source, select a stepped, gray-bar pattern like the one shown in Figure 4-3.



Figure 4-3. Typical Gray Bar Pattern for Adjusting Contrast

Select Contrast and press **ENTER**. Adjust the contrast to a point just below which the white rectangle starts to increase in size.



Brightness and contrast controls are interactive. A change to one may require a subtle change to the other in order to achieve the optimum setting.

Color Saturation: On your external test pattern source, select a color bar pattern like the one shown in Figure 4-4.

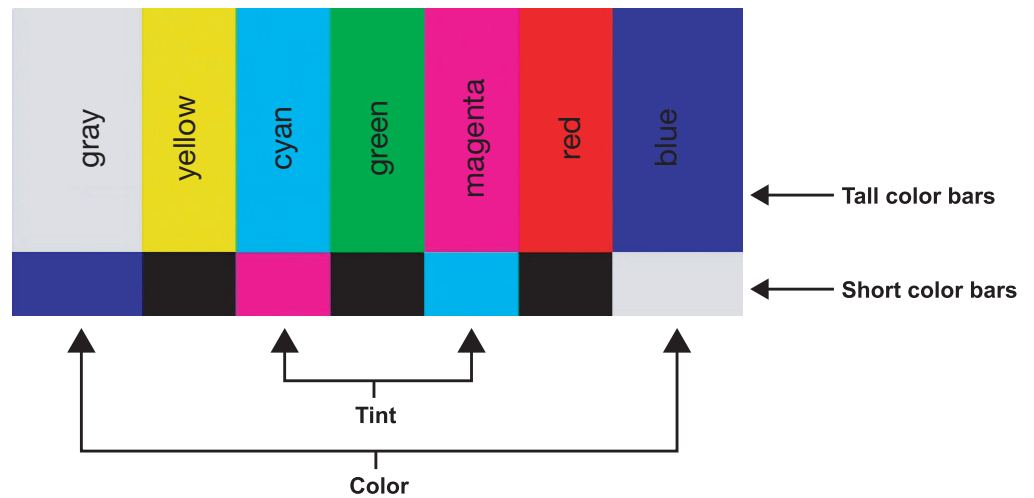
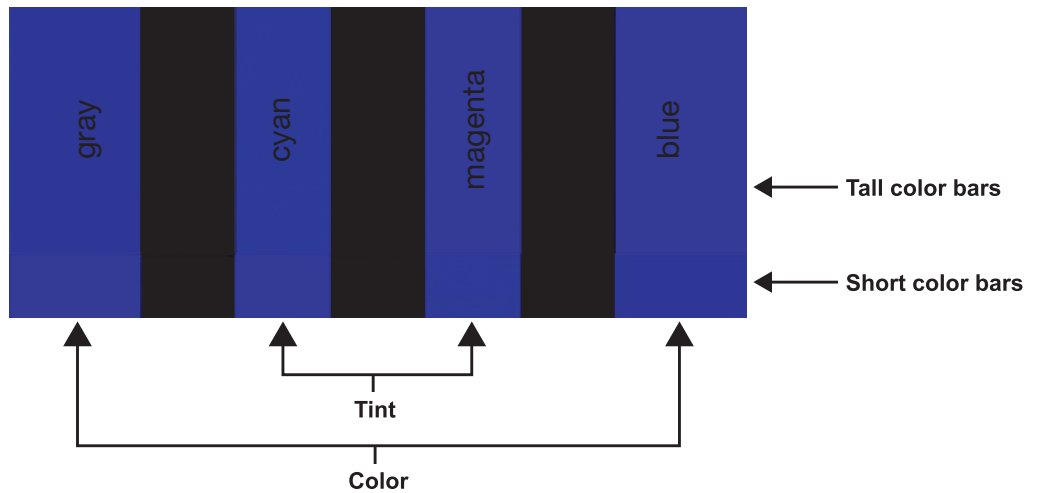


Figure 4-4. Typical Color Bar Pattern for Adjusting Color Saturation and Tint

Select **Color** and press **ENTER**. While looking at the color bar pattern through a blue filter, adjust the color saturation level until the outermost (gray and blue) color bars appear to be a single shade of blue:



Tint: Tint or “hue” is essentially the ratio of red to green in the color portion of the image. When tint is decreased, the image appears redder; when it is increased the image appears greener. To set the tint, select **Tint** and press **ENTER**. While looking at the color bar pattern through a blue filter, adjust the tint level until the cyan and magenta color bars (on either side of the green bar) appear to be a single shade of blue.



Note

Like the brightness and contrast controls, the color and tint controls are interactive. A change to one may require a subtle change to the other in order to achieve the optimum setting.

Sharpness: “Sharpness” is the amount of high-frequency detail in the image. To adjust sharpness, select Sharpness from the Picture menu and press **ENTER**. On your external test pattern source, select a pattern like the one shown in Figure 4-5. Adjust as needed, looking for white edges around the transitions from black to gray and differently-sized lines in the “sweep” patterns at the top and bottom. Lower the sharpness setting to eliminate them.

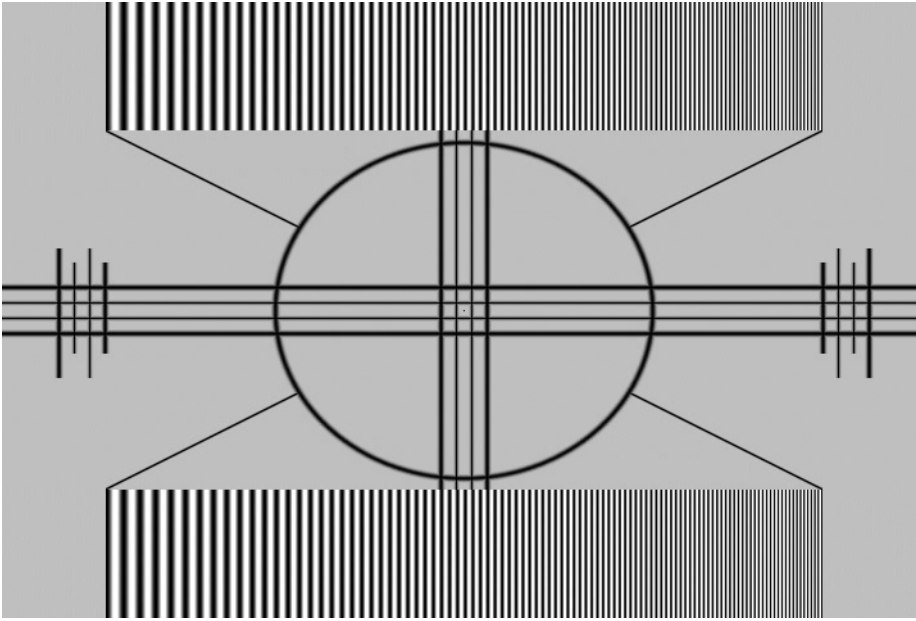


Figure 4-5. Typical Test Pattern for Adjusting Sharpness

Use the controls in the Input Position Menu to fine-tune the aspect ratio and image position for the current source.



Note

The input position settings are automatically saved for each input and resolution.

Left/Right: Select Left/Right from the Input Position menu to shift the projected image horizontally. Use the right or up cursor button to shift the image to the right; use the left or down button to shift it to the left.

Up/Down: Select Up/Down from the Input Position menu to shift the projected image vertically. Use the right or up cursor button to shift the image upward; use the left or down button to shift it downward.

Width: Select Width from the Input Position menu to change the projected image width. Use the right or up cursor button to increase the width; use the left or down button to decrease it.

Height: Select Height from the Input Position menu to change the projected image height. Use the right or up cursor button to increase the height; use the left or down button to decrease it.

◀ **Input Position**

Input Position
Left/Right
Up/Down
Width
Height
Overscan

Overscan: Image Overscan pushes the outside edge of the active picture area of the video signal out beyond the edge of the display area.

Some television programs are produced based on the assumption that older television sets may not display the outer edges of the broadcast picture area. Over scan effectively trims away these inactive, outer edges and enlarges the remaining portion of the image to fill the display area.

Select from 1% to 10% of Overscan, as desired.

For HDTV, DVDs and other video sources, Overscan is generally not necessary or desirable.

ISF Presets ➤

ISF Presets	
<input checked="" type="checkbox"/>	ISF Night
<input type="checkbox"/>	ISF Day
<input type="checkbox"/>	Custom 1 Save
<input type="checkbox"/>	Custom 2 Save
Factory Default	

For each input, the PlasmaWall lets you save image quality settings as presets that you can recall at a later time. You can create up to four presets per input and resolution. Use the ISF Presets menu to recall saved image presets, or to save image settings in the “Custom 1” or “Custom 2” memory location. The currently-selected preset is indicated by a “☒” to its left; in the example shown here, ISF Night is selected.

You should save changes to any of the following settings to a preset; otherwise they will be lost when a new input source or resolution is selected:

- Brightness
- Contrast
- Color saturation
- Tint
- Sharpness

To reset the Custom 1 and Custom 2 image presets to their factory defaults, select Factory Default and press **ENTER**.

Information ➤

Information	
Serial Number	
Hardware	0
Firmware	0002.034B
Date	Nov 25 2006

Select Information from the Main Menu to see information that uniquely identifies your display: its serial number, the installed hardware and firmware versions and the firmware version build date. Should you ever need to contact Runco Technical Support, this information will help them answer your questions or resolve product performance issues.

Use the Calibration menu to perform advanced picture quality adjustments. **This menu should be used by ISF-certified technicians only.**

◀ **Calibration**



Note

You must enter a passcode to access the Calibration menu.

To recall the ISF Night or ISF Day settings, select “ISF Night” or “ISF Day” from the ISF Presets menu (see above). Or, use the corresponding buttons on the remote control.

ISF Night - Display Color: Use the Display Color settings to adjust the color balance at the display device (as opposed to the DHD Controller). These settings are saved independently for each input.

- **Gain:** Use the Gain controls to correct color imbalances in the bright areas of the image. A good way to do this is to use a test pattern consisting mostly of solid white areas, such as an 80 IRE “window” pattern. If the white areas contain traces of red, green or blue, decrease the Gain for that color.
- **Offset:** Use the Offset controls in the White Balance sub-menu to correct color imbalances in the dark areas of the image. A good way to do this is to use a test pattern consisting mostly of dark gray areas, such as a 30 IRE “window” pattern. If the gray areas contain traces of red, green or blue, decrease the Offset for that color.
- **Color Temp (RGB Display Device only):** Select Color Temp from the Display Color menu to adjust the color temperature. The default setting is appropriate for most situations. Higher settings produce a “bluer” picture.

ISF Night - Input Image: The Input Image controls are similar to those in the Picture menu, but are accessible only by entering the Calibration menu passcode. This makes it possible to restore the picture quality settings to what they were when the display was installed, simply by recalling the “ISF Night” preset.

ISF Night - Input Color: The Input Color controls are similar to those in the Display Color menu (see above), but adjust the color balance at the DHD Controller (as opposed to the display device). These settings are also saved independently for each input.

- **Gain/Offset:** Refer to **ISF Night - Display Color**, above.
- **Chroma Delay:** use the Chroma Delay control to correct a mis-aligned image from a Composite, S-Video or Component video source. Chroma delay in an image causes color shifts to occur to the left of the vertical edge transitions, producing artificial shadows or a “halo” effect. If necessary, adjust this setting to eliminate them.
- **Phase:** Adjust the phase if the image (usually from an RGB source) shows shimmer or “noise.” Pixel phase adjusts the phase of the pixel sampling clock relative to the incoming signal. The effect of this control is similar to that of a tracking control on a VCR.

For best results, use a good test pattern such as a smooth gray consisting of a clear pattern of black and white pixels, or a similar “half on, half off” graphic image. (You may notice that you can stabilize the image at more than one point. Use either setting in this case.)

Calibration
ISF Night
Display Color
Input Image
Input Color
ISF Day
Display Color
Input Image
Input Color
Save ISF Settings
Output Shift
Splash Configure
OSD Position

- **Noise Filter:** To apply noise filtering to the input signal, select Noise Filter from the Input Color menu. The Noise Filter is useful for clearing up noisy images from 480i video sources.

Use the left- or right-arrow buttons to select the desired amount of noise reduction, keeping in mind that higher settings (which reduce high frequencies) may also “soften” the image.

ISF Day - Display Color: Refer to *ISF Night - Display Color*.

ISF Day - Input Image: Refer to *ISF Night - Input Image*.

ISF Day - Input Color: Refer to *ISF Night - Input Color*.

Save ISF Settings: Whenever you make a change to the ISF settings, you should always save it. Select Save ISF Settings from the ISF Calibration menu to do this. In the event you ever have to perform a System Reset, you can restore the saved ISF settings by selecting Restore Saved Settings in the Service menu. (System Reset and Restore Saved Settings are described on page 47.)

Output Shift: The controls in the Output Shift menu are similar to those in the Input Position menu, except that they change the characteristics of the output signal. These settings are saved independently **for each aspect ratio**.

Splash Configure: Use the Splash Configure menu to customize the appearance of the start-up message that appears on the vacuum fluorescent display upon power-up.

- **Owner Name/ISF Calibrated/ISF Other:** You can have the PlasmaWall display the owner’s name, your name, the phrase “ISF Calibrated” and/or any other string, up to 20 characters in length.

Use the up or down cursor button to select a character. Use the right and left cursor buttons to change the cursor position. Press **MENU** when you have finished entering text. Then, check the “Splash Enable” box to have the PlasmaWall display the information you enter here when it is turned on.

- **Runco/ISF Logo Splash Screen Timers (SP-50DHD and SP-60DHD only):** When you turn on the PlasmaWall, it projects a welcome screen with the Runco logo followed by one with the ISF logo. Select Splash Timer from the Splash Configure menu to set the amount of time that these two images appear. The range is from 2 to 60 seconds, in one-second increments.

Use the up or down cursor button to select a timer value to adjust. Use the right or left cursor button to change the timer value. Press **MENU** when you have finished configuring both timers.

OSD Position: Select OSD Position, press **ENTER** and use the arrow buttons to change the size and position of the OSD controls.

Use the Service menu to access advanced display configuration settings. **This menu should be used by ISF-certified technicians only.**



You must enter a passcode to access the Service menu.

Test Video: Select Test Video from the Service Menu to access the internal test patterns on the PlasmaWall. Four patterns are available, consisting of white/gray or colored bars. These are useful for calibrating other theater source components (DVD player, HD tuner etc.) that have their own picture controls.

Press **MENU** to exit test pattern mode.

Input Names: You can give each DHD Controller input a descriptive name. For example, you may want to change the default input name to the type of source component connected to it: "VCR," "DVD," "Laptop" et cetera. Composite, S-Video and Component SD input names can be up to 12 characters long; the others can be up to eight characters long.

To edit an input name, select Input Names from the Service menu. Press **▲** or **▼** to select an input and press **ENTER**. Use the **▲** or **▼** buttons to change a character; press **◀** or **▶** to select a character to change. When you have finished editing the input name, press **MENU**.

To restore the default input name, press **▼** repeatedly to highlight that input name in the "Restore" column. Then, press **ENTER**.

To save input names so that they can be restored after a System Reset (described on page 47), press **▼** repeatedly to highlight "Save." Then, press **ENTER**.



*The **▼** button takes you from top to bottom in the left column, then from top to bottom in the right column. To highlight "Save," scroll through both columns.*

Remote Control: The Remote Control menu shows you the primary and secondary infrared (IR) codes to which the DHD Controller will respond. By default, both are set to 17. You can change these codes if either:

- Another device in the theater (a DVD player, for example) is responding to commands from the DHD Controller remote control (Figure 2-7) in ways that are unpredictable or undesirable.
- You have multiple DHD Controllers and want to control them independently, as opposed to broadcasting commands from a single remote to all of them. In this scenario, you can use multiple remotes programmed to use different IR codes. Or, you can use a single remote and change the IR code as needed to address a specific device.



Use the DHD Controller front-panel keypad to change its IR code. Then, change the code sent by the remote to match as described below.

◀ **Service**

Service	
Test Video	
Input Names	
Remote Control	
Analog Out Mode	
Display Device	
HD Format	
Triggers	
Miscellaneous	
Resolution	
System Reset	
Restore Saved Settings	

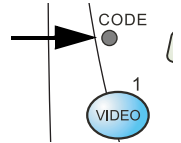
Input Names	
	Restore
Composite	Composite
S-Video 1	S-Video 1
S-Video 2	S-Video 2
Component SD	Component SD
HD/RGB 1	HD/RGB 1
HD/RGB 2	HD/RGB 2
DVI 1	DVI 1
DVI 2	DVI 2
Save	

**Note**

Do not change the "Type" setting in this menu.

When you change a remote code on the DHD Controller, you must re-program your remote control to send that same code. To do this:

1. Using a straightened paper clip or similar object, press and hold the **CODE** button on the remote control for approximately three seconds, or until the red LED on the remote lights solid red.
2. Enter a new two-digit code between 00 and 31 inclusive. Include a leading zero for single-digit codes; for example, enter 9 as "09."
3. The LED turns off to confirm the code change. If you enter an invalid code, the LED flashes for three or four seconds. Try again, entering a valid code.



Analog Out Mode: Select Analog Out Mode from the Service menu to change the characteristics of the analog output signal from the DHD Controller. The choices are RGB-- (separate sync with negative polarity), RGB++ (separate sync with positive polarity) or RGBS (composite sync).

Display Device: The options in the Display Device menu allow you to perform certain adjustments at the plasma display.

- **Input Source:** Select **Input Source** from the Display Device menu to switch from one DHD Controller output/PlasmaWall input to the other. Use the ▲ or ▼ button to select **RGB** or **DVI/HDMI**, then press **ENTER**.

**Note**

If the DVI 1 or DVI 2 DHD Controller input is active and the input signal is HDCP-encrypted, the RGBHV output of the DHD Controller is disabled.

**Tip**

Use the serial command `DISPLAY 1` or `DISPLAY 2` to set the Input Source to RGB or DVI/HDMI respectively, so that the DHD Controller retains this setting after a System Reset. (This is not the case when you change the Input Source in the Display Device menu.) For more information, refer to **Miscellaneous Commands** on page 57.

- **Configure:** Select Configure from the Display Device menu to perform the following display device adjustments (these are global, independent of any input):
 - Select **Left/Right** or **Up/Down** and use the ◀ or ▶ buttons to fine-tune the displayed image position.
 - Select **Width** or **Height** and use the ◀ or ▶ buttons to fine-tune the display device aspect ratio.

HD Format: If the characteristics of the incoming signal on the HD1 or HD2 inputs are known, select HD Format from the Service menu and set them as described below. Doing so can reduce the time it takes the DHD Controller to switch from HD to 480i signals or vice versa.

This is generally not necessary unless the DHD Controller – for whatever reason – has difficulty determining the color space (RGB or YUV), bandwidth or resolution of the incoming HD signal. In most situations, the **Auto** settings work well.

- **HD/RGB 1 and HD/RGB 2 (Color Space):** Select Auto, RGB or YUV.
- **ADC Bandwidth:** Select Auto, 75 MHz, 150 MHz or 300 MHz.

- **YPbPr Input Resolution:** Select Auto or specify the input resolution, if known: 480i, 480p, 576i, 576p, 720p or 1080i.

Triggers: Select Triggers from the Service menu to configure the 12-volt trigger outputs. You can assign one or more trigger outputs to each aspect ratio. Those triggers are then activated by selecting that aspect ratio.

To save the trigger settings so that they can be restored after a System Reset (described below), press ▼ repeatedly to highlight “Save.” Then, press **ENTER**.

Miscellaneous: Select Miscellaneous from the Service menu to set the following options:

- **Language:** Select Language from the Miscellaneous menu and press the up- or down-arrows to select the OSD language. (Currently, only English is supported.)
- **Menu Mode:** This is the manner in which the OSD menus appear and disappear when you press **MENU**. Choose one of the following:
 - 0 = No transition; menus abruptly appear and disappear.
 - 1 = Menus fade in and out.
 - 2 = “Checkerboard” dissolve; menus appear and disappear in sections.
 - 3 = “Window shade” effect; menus are drawn on a diagonal from top left to bottom right, and retract in the opposite direction.
- **Timeout - Short/Long:** These settings control how long the OSD menus stay on screen. Select a time-out period of from 2 to 60 seconds.
- **Side Bar Color:** This controls the color of the inactive image area. The range is from -100 (black) to 100 (white).

The inactive image area is on either side of the active image area when using the Standard 4:3 aspect ratio (or the entire screen when no incoming video signal is present).

- **Film Mode:** Enable Film Mode to smooth out moving images from interlaced, standard-definition (SD) sources. In most cases, the PlasmaWall detects the proper “pull-down” rate and vertical frequency. However, if your source is jittery and/or tearing you may wish to enable Film Mode to ensure stable processing for that source.

Resolution: The DHD Controller defaults to an output resolution of 720p. When using the PlasmaWall with a computer or certain HD sources, you may want to force the DHD Controller to use a different output resolution. If so, select Resolution from the Service menu and choose one. Then, press **ENTER** to confirm.

System Reset: To reset ALL DHD Controller settings (including image settings) back to their factory defaults, choose System Reset from the Service menu.

A confirmation message appears, reminding you to save your settings before you perform the reset, so that you can restore them afterwards. If you have done this, select Confirm to continue with the reset. Otherwise, click Back to cancel.



Caution

This action is not undoable. Proceed with caution! Before you perform a System Reset, save ALL settings, including “Custom” ISF Presets (page 42), ISF Day/Night presets (page 42), Output Shift settings (page 44), Input Names (page 45) and Trigger settings (page 47).

Restore Saved Settings: Following a System Reset, select Restore Saved Settings to apply all previously-saved settings to the PlasmaWall and DHD Controller.

Notes:

5. Maintenance and Troubleshooting

Regular cleaning will extend the life and performance of the PlasmaWall. Before cleaning, be sure to unplug the power cord from the power outlet.

Do not under any circumstances use solvents such as benzene or thinner to clean the PlasmaWall. Doing so may cause deterioration or peeling of paint from the display or remote control unit.

Wipe the display and remote control gently with a soft cloth. In the case of excessive dirt buildup, dampen a soft cloth with a diluted neutral cleaning detergent and after wringing the cloth thoroughly, wipe the component and then dry it with a dry soft cloth.

After dusting, wipe the screen gently using the supplied cleaning cloth or another soft cloth (cotton, flannel etc.). Do not use tissue or a rough cloth. The screen surface is easily scratched; do not rub it or hit it with a hard object.

If you clean the surface of the screen with a wet cloth, water droplets on the surface may enter into the product and cause a malfunction.

As a general rule, use a vacuum cleaner about once a month to clean the vents on the rear panel of the display of dust buildup (set the vacuum cleaner to its weakest setting when doing this). If not removed, accumulated dust can cause the internal temperature to increase, resulting in possible breakdown or fire.

5.1 Cleaning

◀ *Cleaning the Display Panel Body and Remote Control*

◀ *Cleaning the Screen*

◀ *Cleaning the Vents*

5.2 Troubleshooting Tips

Table 5-1 provides some general guidelines for troubleshooting problems you may encounter with the PlasmaWall. If the suggested solutions fail to resolve the problem or if you encounter an issue not described here, please contact your Runco dealer or Runco Technical Support.

Table 5-1. Troubleshooting Chart

Symptom	Possible Cause(s)	Solution
The display does not turn on after initial installation.	<ul style="list-style-type: none"> The PlasmaWall is not plugged in or the AC outlet is not active. The DHD Controller is not plugged in or the AC outlet is not active. The remote control batteries have run out. The serial connection from the DHD Controller to the PlasmaWall is incorrect. 	<ul style="list-style-type: none"> Ensure that the PlasmaWall is plugged in and that the AC outlet is active. Ensure that the DHD Controller is plugged in and that the AC outlet is active. Replace the batteries. Ensure that the RS-232 output from the DHD Controller is properly connected to the RS-232C input on the PlasmaWall (see Figure 3-3).
The PlasmaWall and DHD Controller are both on, but there is no picture and on-screen menus do not appear.	<ul style="list-style-type: none"> Faulty or incorrect video connection between the DHD Controller and the PlasmaWall. Incorrect input source selection. Display Device input source is set to RGB, DHD Controller input is set to DVI 1 or DVI 2 and DVI source is HDCP-encrypted. 	<ul style="list-style-type: none"> Ensure that the DVI and/or RGBHV outputs from the DHD Controller are properly connected to the video inputs on the PlasmaWall (see Figure 3-3). Choose the correct input source on the display (refer to Selecting the Input Source on page 32). Set the Display Device input source to DVI/HDMI or use a different input on the DHD Controller for the encrypted source material.
The display is on and menus appear, but there is no picture.	<ul style="list-style-type: none"> Incorrect source selection. Source component is not turned on. Source component is connected incorrectly or not at all. 	<ul style="list-style-type: none"> Select the correct source. Turn on the source component. Check connections from source component to DHD Controller.
Image is too bright and/or lacks definition in the bright areas of the image.	<ul style="list-style-type: none"> Contrast is set too high. 	<ul style="list-style-type: none"> Lower the contrast setting.

Table 5-1. Troubleshooting Chart (continued)

Symptom	Possible Cause(s)	Solution
Image appears "washed out" and/or dark areas appear too bright.	<ul style="list-style-type: none"> Brightness is set too high. 	<ul style="list-style-type: none"> Lower the brightness setting.
Colors in the image are swapped; for example, reds appear blue or vice versa.	<ul style="list-style-type: none"> The Red/Pr, Green/Y or Blue/Pb outputs from the source are connected to the wrong inputs on the DHD Controller. The Red, Green or Blue (analog) outputs from the DHD Controller are connected to the wrong inputs on the PlasmaWall. 	<ul style="list-style-type: none"> Ensure that the source outputs are connected to the correct DHD Controller input. Ensure that the DHD Controller outputs are connected to the correct inputs on the PlasmaWall.
RGB-HD images appear "noisy."	<ul style="list-style-type: none"> Clock and Phase settings need adjustment. 	<ul style="list-style-type: none"> Adjust Clock and Phase settings (refer to ISF Night - Display Color on page 43).
"Out of range" appears on-screen.	<ul style="list-style-type: none"> The resolution and frequency of the video card in the computer are not compatible with the PlasmaWall. 	<ul style="list-style-type: none"> Select a compatible resolution and vertical frequency (refer to Computer/Video Signal Compatibility on page 64).
The image is too large or too small.	<ul style="list-style-type: none"> Image size needs adjusting. 	<ul style="list-style-type: none"> Adjust the image size (refer to Input Position on page 41).

Notes:

6. Serial Communications

To interface the PlasmaWall with a home theater automation/control system or a PC running terminal emulation software, connect it to the RS-232 output of the DHD Controller as shown in Figure 3-3. Connect your control system or PC to the RS-232 input of the DHD Controller as shown in Figure 3-9.

Configure the RS-232 controller or PC serial port as follows: no parity, eight (8) data bits, one (1) stop bit and no flow control. Set the baud rate to 19200, to match that of the DHD Controller RS-232 port.

Serial commands to the DHD Controller take the following form:

- Commands are not case-sensitive.
- For a single command that takes no parameters, type the command followed by a carriage return; for example, to set the aspect ratio to Letterbox, type `LETTERBOX <Enter>`.
- For a single command that takes a parameter, type the command, a space or a comma and the desired value followed by a carriage return; for example, to set the brightness to -10, type `BRIGHTNESS -10 <Enter>` or `BRIGHTNESS,-10 <Enter>`.
- You can also send a string of multiple commands on a single line, separated by commas. For example, `COMPOSITE,BRIGHTNESS 100,ANAMORPHIC <Enter>` switches to the Composite video input, sets the brightness to 100 and sets the aspect ratio to Anamorphic. Command strings can be up to 255 characters long.



Note

Avoid combining the `ON` or `POWER 1` commands with other commands on a single line. After sending `ON` or `POWER 1`, allow at least five (5) seconds for the DHD Controller to power up. If you have enabled the ISF splash screen (refer to **Splash Configure** on page 44), allow 15 seconds for the DHD Controller to power up.

Once it does, it will accept and properly execute multiple serial commands.

6.1 RS-232 Connection and Port Configuration

6.2 Serial Command Syntax

Table 6-1 lists the RS-232 command set. The “Parameter (min/max)” column shows the valid parameter ranges, or “NA” for commands that take no parameters.

When you enter a valid command, the DHD Controller executes it and acknowledges it with a plus sign on the command line (+ >). When you enter an invalid command – one that is misspelled or followed by values outside the valid range for that command – the DHD Controller ignores it and returns a minus sign (- >).

Table 6-1. Serial Commands

Command	Parameter (min/max)	Value Stored?	Description
Power On/Off Commands			
OFF	NA	NA	Turns system off
ON	NA	NA	Turns system on
POWER	0/1	NA	Turns system on or off (toggles on/off state)
POWER?	NA	NA	Returns power status
Input Selection Commands			
COMPONENT	NA	YES	Selects the Component input
COMPOSITE	NA	YES	Selects the Composite video input
DVI1	NA	YES	Selects the DVI 1 input
DVI2	NA	YES	Selects the DVI 2 input
HD1	NA	YES	Selects the RGB HD 1 input
HD2	NA	YES	Selects the RGB HD 2 input
HD1PASS	NA	YES	Loops HD1 input to RGBHV output
HD2PASS	NA	YES	Loops HD2 input to RGBHV output
INPUT?	NA	NA	Returns active input
SVIDEO1	NA	YES	Selects the S-Video 1 input
SVIDEO2	NA	YES	Selects the S-Video 2 input
Aspect Ratio Commands			
ANAMORPHIC	NA	YES	Selects the Anamorphic aspect ratio
ASPECT?	NA	NA	Returns current aspect ratio
ASPECTIN?	NA	NA	Returns the input source aspect ratio
ASPECTOUT?	NA	NA	Returns output screen size
CINEMA	NA	YES	Selects the Cinema aspect ratio
LETTERBOX	NA	YES	Selects the Letterbox aspect ratio
STANDARD	NA	YES	Selects the Standard (4:3) aspect ratio
VIRTUALWIDE	NA	YES	Selects the VirtualWide aspect ratio

Table 6-1. Serial Commands (continued)

Command	Parameter (min/max)	Value Stored?	Description
Picture Adjust Commands			
BRIGHTNESS	-100/100	YES	Sets a value for brightness
BRIGHTNESS?	NA	NA	Returns brightness setting value
CHROMADELAY	-12/12	YES	Sets a value for input color chroma delay
CHROMADELAY?	NA	NA	Returns input color chroma delay setting
COLOR	-100/100	YES	Sets a value for color
COLOR?	NA	NA	Returns color setting value
CONTRAST	-100/100	YES	Sets a value for contrast
CONTRAST?	NA	NA	Returns contrast setting value
FILMMODE	0/1	YES	Sets Film Mode off (0) or on (1)
FILMMODE?	NA	NA	Returns Film Mode setting (0 = off; 1 = on)
FILTER	0/15	YES	Sets a value for input color noise filter
FILTER?	NA	NA	Returns input color noise filter setting
PHASE	0/3	YES	Adjusts phase
PHASE?	NA	NA	Returns phase setting value
SHARPNESS	-6/6	YES	Sets a value for sharpness
SHARPNESS?	NA	NA	Returns sharpness setting value
TINT	-100/100	YES	Sets a value for tint
TINT?	NA	NA	Returns tint setting value
Image Preset Commands			
CUSTOM1	NA	YES	Loads "Custom 1" image preset
CUSTOM2	NA	YES	Loads "Custom 2" image preset
DAY	NA	YES	Loads "ISF Day" image preset
NIGHT	NA	YES	Loads "ISF Night" image preset
PRESET?	NA	NA	Returns currently-selected preset (ISF Day, ISF Night, Custom 1 or Custom 2)

Table 6-1. Serial Commands (continued)

Command	Parameter (min/max)	Value Stored?	Description
Input Position Commands			
IHEIGHT	-100/100	YES	Sets the value for input height
IHEIGHT?	NA	NA	Returns input height value
IHPOS	-100/100	YES	Sets a value for horizontal input position
IHPOS?	NA	NA	Returns input horizontal position value
IVPOS	-100/100	YES	Sets a value for vertical input position
IVPOS?	NA	NA	Returns input vertical position value
IWIDTH	-100/100	YES	Sets the value for input width
IWIDTH?	NA	NA	Returns input horizontal width value
OVERSCAN	0/10	YES	Sets the overscan percentage
OVERSCAN?	NA	NA	Returns overscan percentage
Output Shift Commands			
OHEIGHT	-100/100	YES	Sets the value for output height
OHEIGHT?	NA	NA	Returns output height value
OHPOS	-100/100	YES	Sets the value for output horizontal position
OHPOS?	NA	NA	Returns output horizontal position value
OVPOS	-100/100	YES	Sets the value for output vertical position
OVPOS?	NA	NA	Returns output vertical position value
OWIDTH	-100/100	YES	Sets the value for output width
OWIDTH?	NA	NA	Returns output horizontal width value

Table 6-1. Serial Commands (continued)

Command	Parameter (min/max)	Value Stored?	Description
Miscellaneous Commands			
BKGND	-100/100	YES	Sets the background color for 4:3 aspect ratio (-100 = black; 100 = white)
BKGND?	NA	NA	Returns background setting value
DATE?	NA	NA	Returns product manufacture date
DISPLAY	1 or 2	YES	Sets display device input source (1 = RGB; 2 = DVI/HDMI)
DISPLAY?	NA	NA	Returns display device input source value
HDINPUTRES	NA	YES	Sets YPbPr input resolution and refresh rate for HD1/HD2, as follows: 0 = 480i 1 = 480p 2 = 576i 3 = 576p 4 = 720p / 60 Hz 5 = 1080i / 60 Hz 6 = 720p / 50 Hz 7 = 1080i / 25 Hz Any other value = Auto
HWVER?	NA	NA	Returns hardware version number
INRES?	NA	NA	Returns input resolution
OUTRES	0/5	YES	Sets output resolution, as follows: 0 = 480i 1 = 576i 2 = 480p 3 = 576p 4 = 720p 5 = 1080i
OUTRES?	NA	NA	Returns output resolution
RGBNN	NA	NA	Sets output color space to RGB with negative horizontal and vertical sync
RGBPP	NA	NA	Sets output color space to RGB with positive horizontal and vertical sync
RGBS	NA	NA	Sets output color space to RGB with composite sync
SWVER?	NA	NA	Returns software version number
TRIGGER	1/3	YES	Assigns trigger to currently-selected aspect ratio

Table 6-1. Serial Commands (continued)

Command	Parameter (min/max)	Value Stored?	Description
The following serial commands are meant to emulate buttons on the remote control or DHD Controller front panel. Each button has its own serial command, so effectively it is as if you were using the IR remote only you'll be doing so via serial commands. These commands provide active OSD responses just like the IR remote.			
DOWN	NA	NA	Down-Arrow (▼) key
ENTER	NA	NA	ENTER key
LEFT	NA	NA	Left-Arrow (◀) key
MENU	NA	NA	MENU
RIGHT	NA	NA	Right-Arrow (▶) key
UP	NA	NA	Up-Arrow (▲) key

7. Specifications

Table 7-1 lists the PlasmaWall specifications.

Table 7-1. PlasmaWall Specifications

Native Resolution:	Model SP-42DHD: 1024 x 768 Model SP-50DHD: 1365 x 768 Model SP-60DHD: 1365 x 768
Screen Size (diagonal):	Model SP-42DHD: 42 in. Model SP-50DHD: 50 in. Model SP-60DHD: 60 in.
Active Screen Area:	Model SP-42DHD: 36.28 x 20.29 in. (921.6 x 515.3 mm) Model SP-50DHD: 43.45 x 28.98 in. (1103.6 x 736.0 mm) Model SP-60DHD: 51.93 x 29.21 in. (1319.0 x 741.9 mm)
Screen Aspect Ratio:	16:9
Available Aspect Ratios:	Refer to Table 7-2
DTV Compatibility:	480p, 720p, 1080i
Contrast Ratio:	1000:1
ISF Settings:	Yes
Data/Graphics Compatibility:	Refer to Table 7-3
Inputs (from DHD Controller):	(1) DVI 1.0 with HDCP (1) RGB/Component (15-pin D-sub) (1) RS-232 (9-pin, D-sub male)
Outputs:	(1) RGB (15-pin D-sub)
Power Requirements:	100 to 240 VAC, 50/60Hz
Power Consumption:	Model SP-42DHD: 360 watts (1.5 watts in standby), maximum Model SP-50DHD: 377 watts (10 watts in standby), maximum Model SP-60DHD: 475 watts (10 watts in standby), maximum
Operating Environment:	40°F to 95°F (5°C to 35°C); 20% to 80% humidity (non-condensing) Altitude = up to 9,000 feet/2,740m MSL (Models SP-42DHDxa, SP-50DHDxa and SP-60DHDxa only)
Dimensions:	Model SP-42DHD: See Figure 7-1 Model SP-50DHD: See Figure 7-2 Model SP-60DHD: See Figure 7-3
Weight (with Stand):	Model SP-42DHD: 83.0 lbs. (37.65 kg) Model SP-50DHD: 94.2 lbs. (42.73 kg) Model SP-60DHD: 150.5 lbs. (68.27 kg)

7.1 PlasmaWall Specifications

Table 7-1. PlasmaWall Specifications (continued)

Limited Warranty:	Three (3) years parts and labor from the date of delivery to the end user (except for plasma glass panel). Plasma Glass Panel: One (1) year parts and labor from the date of delivery to the end user.
Specifications are subject to change without notice.	

7.2 DHD Controller Specifications

Table 7-2 lists the DHD Controller specifications.

Table 7-2. DHD Controller Specifications

Aspect Ratios:	4:3, Letterbox, 16:9 Anamorphic, VirtualWide, Cinema
Video Standards:	NTSC, PAL
Output Resolution:	480p, 576p, 720p, 840p, 960p, 1080i
Inputs:	(1) Composite; (2) S-Video; (1) Component; (2) HD-R (Pr), G (Y), B (Pb), H, V; (2) DVI with HDCP
Outputs:	(1) HD-R (Pr), G (Y), B (Pb), H, V (1) DVI-I with HDCP
Control Options:	<ul style="list-style-type: none"> - Discrete infrared remote - Serial commands via RS-232 - Front-panel controls
RS-232 Communication Parameters:	19200 bps, no parity, 8 data bits, 1 stop bit, no flow control
Trigger Outputs:	(3) +12 VDC, each rated at 750 mA and thermal fuse-protected
Bandwidth:	150 Mega Samples per Second (MSPS)
Power Requirements:	100 to 240 VAC (auto-sensing), 50/60 Hz, 160 Watts
Operating Environment:	41°F to 95°F (5°C to 35°C), 0% to 90% humidity (non-condensing)
Dimensions:	Width = 17.50 inches (444.5 mm) Depth = 11.19 inches (284.1 mm) Height = 3.75 inches (95.3 mm)
Weight:	13.0 lbs. (5.90 kg)
Regulatory Approvals:	Complies with FCC, CE C-Tick
Limited Warranty:	Two (2) years parts and labor from the date of delivery to the end user.

Specifications are subject to change without notice.

Figure 7-1, Figure 7-2 and Figure 7-3 show the PlasmaWall dimensions (all dimensions are in inches).

7.3 PlasmaWall Dimensions

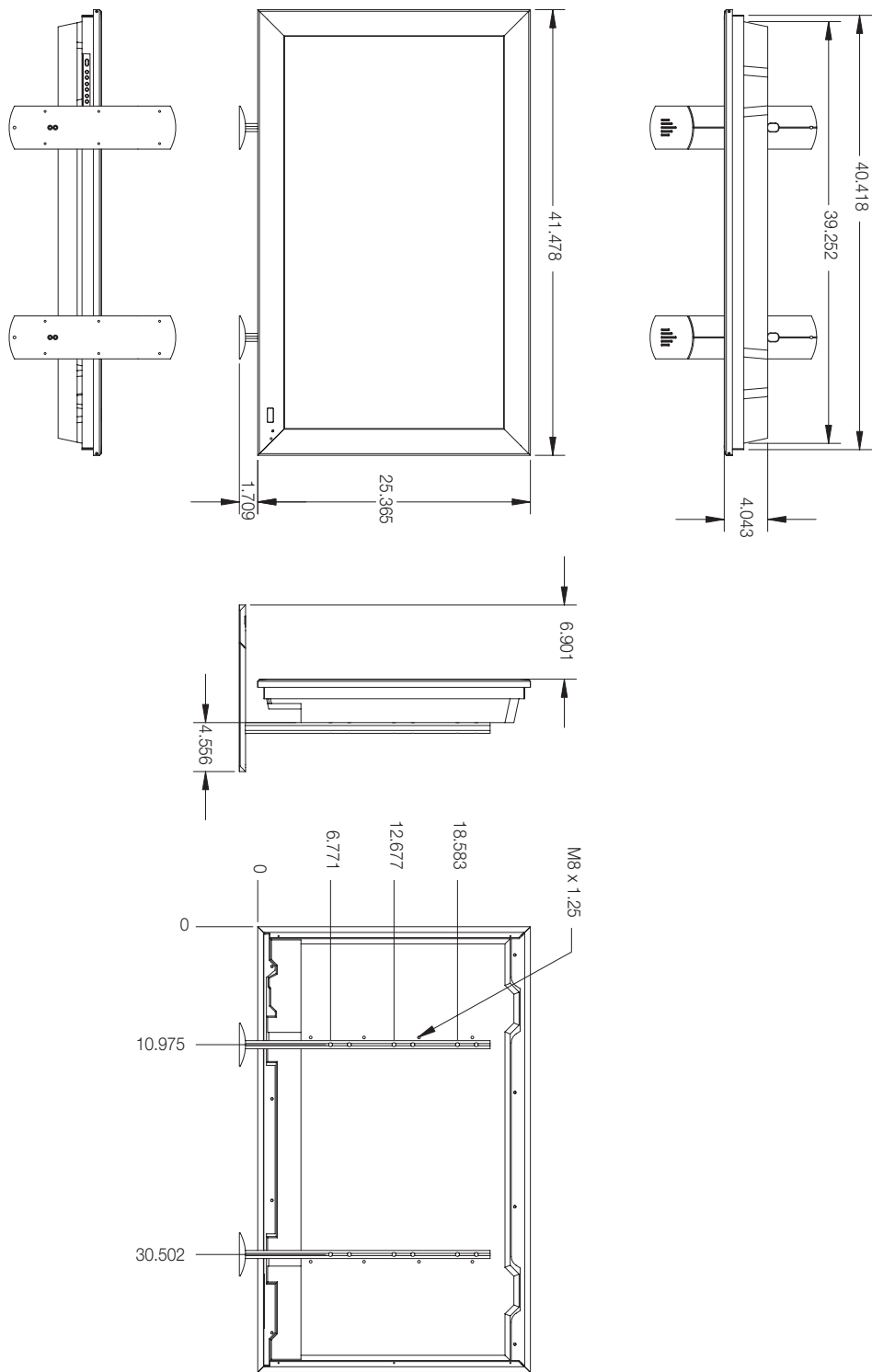


Figure 7-1. PlasmaWall Model SP-42DHD Dimensions (with Optional Table Stand)

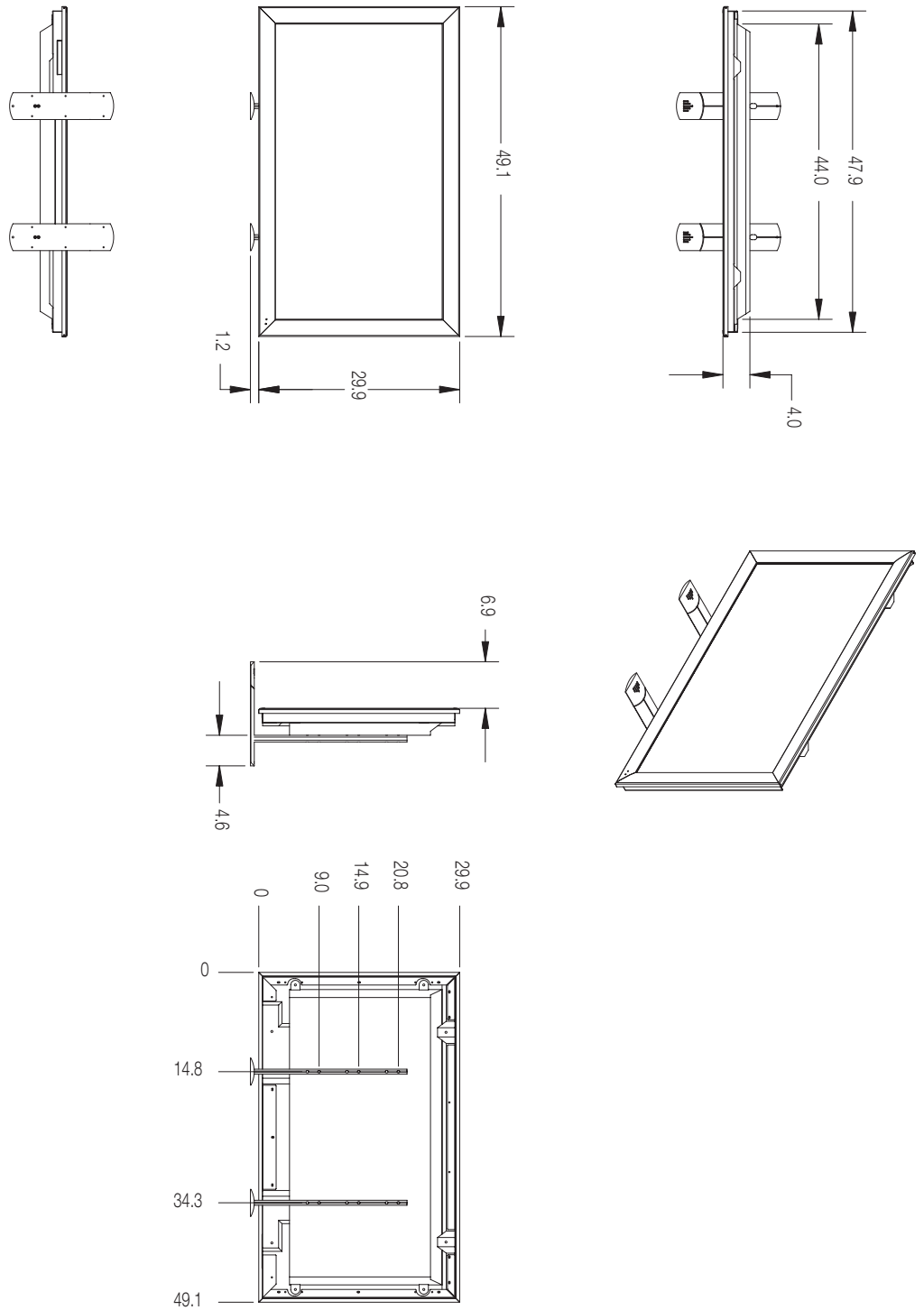


Figure 7-2. PlasmaWall Model SP-50DHD Dimensions (with Optional Table Stand)

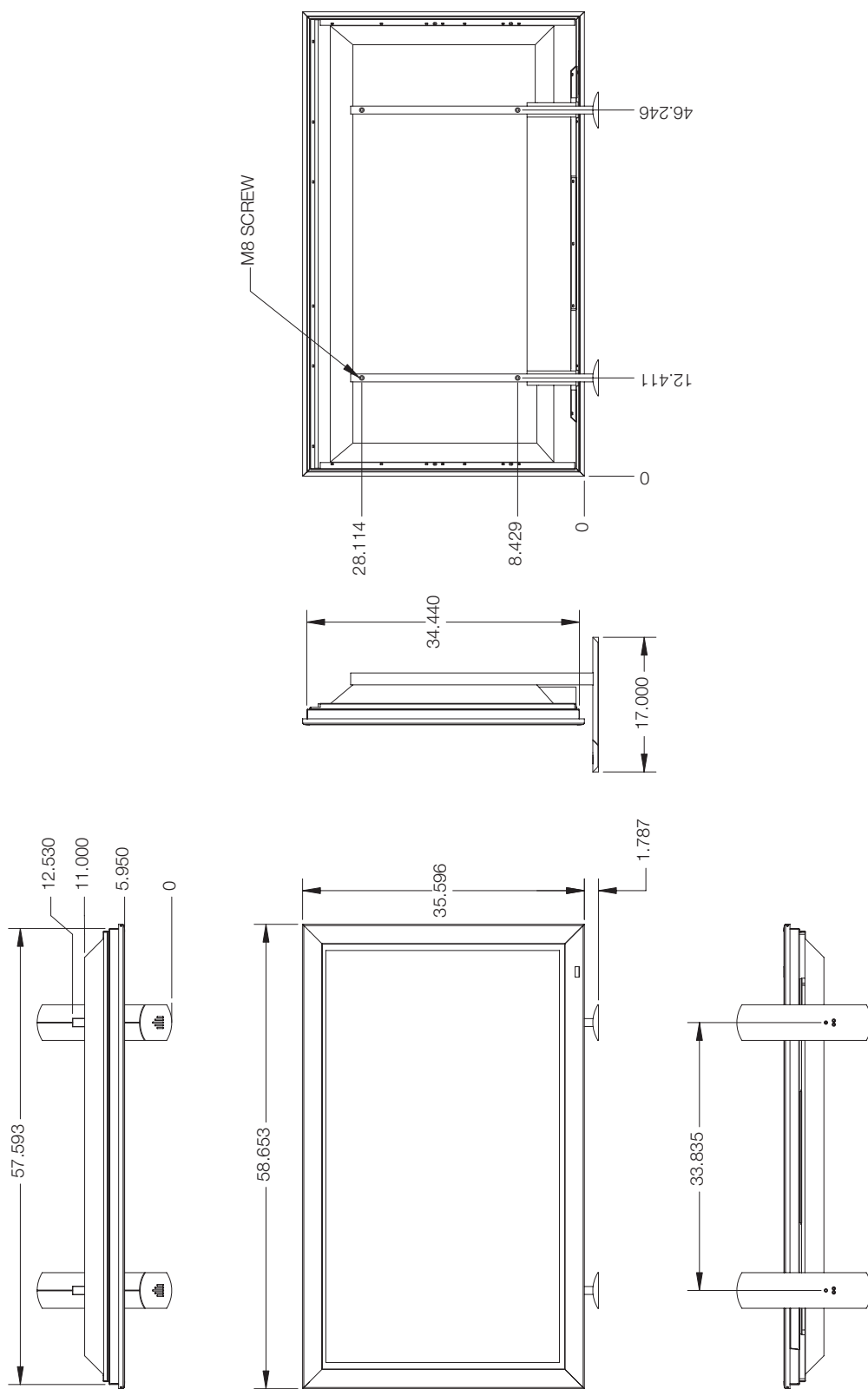


Figure 7-3. PlasmaWall Model SP-60DHD Dimensions (with Optional Table Stand)

7.4 Computer/Video Signal Compatibility

The PlasmaWall can display video signals from a variety of computer sources via its RGB and DVI inputs.

Table 7-3 lists the signal types that are compatible with the PlasmaWall.

Table 7-3. Computer/Video Signal Compatibility Chart

Input Resolution (DotsxLines)	Refresh Rate		Input 1	Input 2	Remarks
	Vert. (Hz)	Horiz. (kHz)			
640x400	70.1	31.5	√	–	
720x400	70.1	31.5	√	√	
	85.1	37.9	√	√	
640x480	60.0	31.5	√	√	
	66.7	35.0	√	–	Apple® Macintosh® 13"
	72.8	37.9	√	√	
	75.0	37.5	√	√	
	85.0	43.3	√	√	
	100.4	51.1	√	√	I/O DATA
	120.4	61.3	√	√	I/O DATA
848x480	60.0	31.0	√	√	
852x480	60.0	31.7	√	√	I/O DATA
800x600	56.0	35.2	√	√	
	60.0	37.9	√	√	
	72.0	48.1	√	√	
	75.0	46.9	√	√	
	85.0	53.7	√	√	
	99.8	63.0	√	√	I/O DATA
	120.0	75.7	√	√	I/O DATA
832x624	74.6	49.7	√	–	Apple Macintosh 16"
1024x768	60.0	48.4	√	√	
	60.0	49.7	√	√	
	70.0	56.5	√	√	
	75.0	60.0	√	√	
	74.9	60.2	√	–	Apple Macintosh 19"
	85.0	68.7	√	√	
	100.6	80.5	√	√	I/O DATA
	119.4	95.6	√	√	
1152x864	60.0	53.7	√	√	
	72.0	64.9	√	√	
	75.0	67.5	√	√	
1152x870	75.1	68.5	√	–	Apple Macintosh 21"
1152x900	66.0	61.8	√	√	Sun Microsystems LO
	76.0	71.7	√	√	Sun Microsystems HI

Table 7-3. Computer/Video Signal Compatibility Chart (continued)

Input Resolution (DotsxLines)	Refresh Rate		Input 1	Input 2	Remarks
	Vert. (Hz)	Horiz. (kHz)			
1280x768	56.0	45.1	√	√	
	60.0	47.8	√	√	
	70.0	56.1	√	√	
1280x800	60.0	49.7	√	√	CVT
1280x854	60.0	53.1	√	√	PC
1280x960	60.0	60.0	√	√	
	85.0	85.9	√	√	
1280x1024	60.0	64.0	√	√	Workstation (SGI)
	60.0	64.6	√	√	Workstation (EWS4800)
	71.2	75.1	√	√	Workstation (EWS4800)
	72.0	78.1	√	√	Workstation (HP)
	75.0	80.0	√	√	
	76.1	81.1	√	√	Workstation (SUN)
	85.0	91.2	√	√	
	100.1	108.5	√	–	I/O DATA
1360x765	60.0	47.7	√	–	
1360x768	60.0	47.7	√	√	I/O DATA
1376x768	59.9	48.3	√	√	I/O DATA
1400x1050	60.0	65.3	√	√	
	74.9	82.3	–	√	
	75.0	82.3	√	–	
	85.0	93.9	√	–	
1440x900	60.0	56.0	√	√	Apple Macintosh 17"
1600x1200	60.0	75.0	√	√	
	65.0	81.3	√	–	
	70.0	87.5	√	–	
	75.0	93.8	√	–	
	85.0	106.3	√	–	
1680x1050	60.0	65.3	√	√	
1920x1200	60.0	74.6	√	–	CVT
1920x1200RB	60.0	74.0	√	√	CVT

Notes:

Appendix A. PlasmaWall Service Remote Control

The PlasmaWall system includes two remote control units: the standard DHD remote control (see Figure 2-7) and the Service Remote Control, shown in Figure A-1 and described in the paragraphs that follow.

A.1 Overview

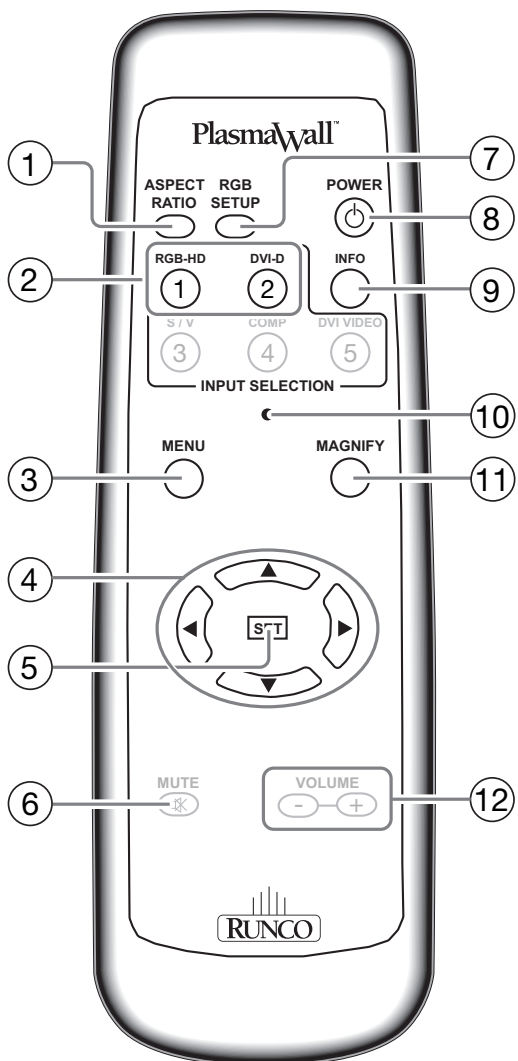


Figure A-1. PlasmaWall Service Remote Control



Note

The PlasmaWall service remote control is intended for use only by authorized Runco dealers. Use it only as described here or as instructed to by Runco Technical Support.

1. **ASPECT RATIO**

Press this button repeatedly to select a display aspect ratio (this may be necessary with certain computer resolutions).

2. **Input Selection Buttons:**

RGB-HD

Selects INPUT 1 (ANALOG RGB IN) on the PlasmaWall.

DVI-D

Selects INPUT 2 (DIGITAL RGB) on the PlasmaWall.

3. **MENU**

Pressing the **MENU** button brings up the main menu. Also, if you are in an adjustment mode or function, pressing **MENU** brings the menu back one level.

4. **Directional Buttons (▲ / ▼ / ◀ / ▶)**

Use these buttons to navigate the OSD menus and adjust various settings.

5. **SET BUTTON**

When an item is highlighted on the On-Screen Display, the **SET** button selects the item.

6. **MUTE**

Not used with the PlasmaWall.

7. **RGB SETUP**

When using INPUT 1 to display images from a computer, press this button to automatically set the Position, Clock and Phase settings to their optimum values.

8. **STANDBY/ON (⏻)**

Press to put the display into operation or standby mode.

9. **INFO**

Displays currently-selected input, aspect ratio and signal timing information.

10. **INSTALLER ADJUST (pin hole)**

Used to access the INSTALLER ADJUST menu.

11. **MAGNIFY**

Press this button to select and enlarge one part of the screen image.

12. **VOLUME + / -**

Not used with the PlasmaWall.

For the vast majority of installations, the DHD Controller remote control gives you all the control you need over display quality settings. However, there are two settings internal to the PlasmaWall that can improve the displayed image quality on INPUT 1: VIDEO NR (noise reduction) and MPEG FILTER. These settings can be found in the Setup Menu, shown in Figure A-2.

A.2 Service/Setup Menu

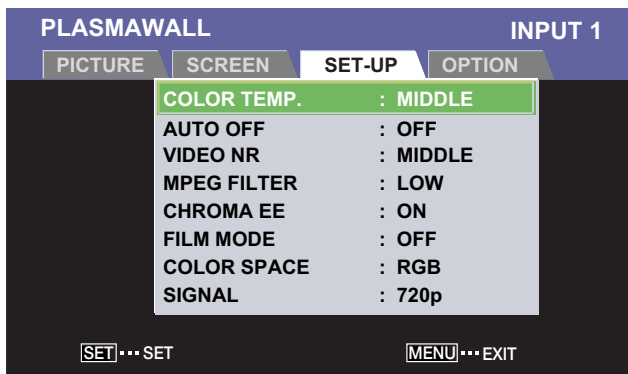


Figure A-2. PlasmaWall Setup Menu

To apply Digital Noise Reduction (DNR) to the input signal, select Video NR from the Set-Up menu. Noise reduction is useful for improving the signal-to-noise ratio of video signals.

◀ **Video NR (Noise Reduction)**

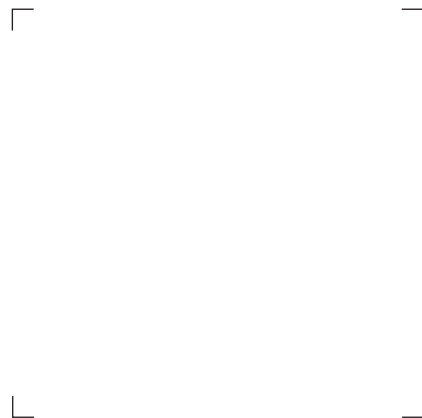
To change the Noise Reduction setting on INPUT 1:

1. Press **1** to switch to PlasmaWall INPUT 1.
2. Press **MENU** on the PlasmaWall Service Remote Control.
3. Press ◀ or ▶ to select SETUP.
4. Press ▼ to select VIDEO NR, then press **SET**.
5. Press ◀ or ▶ to select the desired amount of noise reduction (OFF, LOW, MIDDLE or HIGH).
6. Press **SET** to confirm your selection.

MPEG Filter ➤ Use the MPEG Filter to reduce or eliminate so-called “mosquito noise” in MPEG-compressed video signals (digital broadcasts or DVDs). Set it to LOW, MIDDLE or HIGH, as needed to minimize distortion around the edges of moving objects, moving artifacts around edges and/or blotchy noise patterns superimposed over the objects.

To change the MPEG Filter setting on INPUT 1:

1. Press **1** to switch to PlasmaWall INPUT 1.
2. Press **MENU** on the PlasmaWall Service Remote Control.
3. Press ◀ or ▶ to select SETUP.
4. Press ▼ to select MPEG FILTER, then press **SET**.
5. Press ◀ or ▶ to select the desired amount of filtering (OFF, LOW, MIDDLE or HIGH).
6. Press **SET** to confirm your selection.



SERIAL NUMBER
RUMA-011210
rev 03-02-07 v3.1

Free Manuals Download Website

<http://myh66.com>

<http://usermanuals.us>

<http://www.somanuals.com>

<http://www.4manuals.cc>

<http://www.manual-lib.com>

<http://www.404manual.com>

<http://www.luxmanual.com>

<http://aubethermostatmanual.com>

Golf course search by state

<http://golfingnear.com>

Email search by domain

<http://emailbydomain.com>

Auto manuals search

<http://auto.somanuals.com>

TV manuals search

<http://tv.somanuals.com>