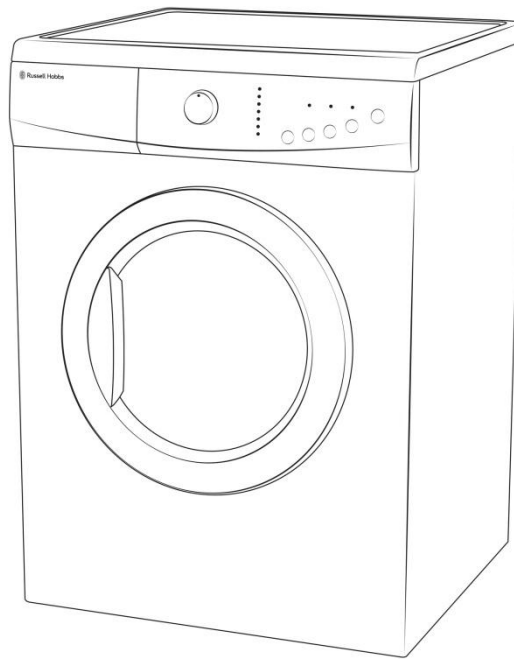




# Russell Hobbs

## Vented Tumble Dryer Instruction Manual



**Model number: RHVTD300 & RHVTD300B**

For Customer Services & Spare Parts please call **0845 208 8750**  
Opening times: Monday - Friday 9am – 5pm & Saturday 9am – 1pm or visit  
us at **[www.productcareuk.com](http://www.productcareuk.com)**

# Contents

	Page
Important information.....	2
Warnings.....	6
Feature diagram.....	7
Control Panel.....	8
Operating instructions.....	9
Technical Specification.....	15
Installation.....	16
Connection to mains supply.....	17

## Important information

- This tumble dryer is intended for **NORMAL DOMESTIC USE ONLY**.
- Adequate ventilation must be provided around the tumble dryer.
- Exhaust air must not be discharged into a flue which is used for exhausting other fumes from appliances burning gas or other fuel.
- Please note it is not recommended that the dryer is placed directly next to ovens, cookers, or other heat sources as the performance of the dryer may be affected.
- A carpet must not obstruct the ventilation openings in the base of the dryer.
- Do not stack the tumble dryer on top of other appliances .
- Any electrical work required to install the appliance should be carried out by a qualified person.
- It is important to clean the lint filter after each drying cycle or the restrictions to airflow will extend drying times and could cause the safety cut-out to trip.
- Under no circumstances should anything other than the recommended articles be placed in the tumble dryer.
- The tumble dryer should be serviced by an appointed service team with genuine parts. Please contact the service team below for assistance with any repairs.
- It is dangerous to alter or modify the product in any way other than fitting authorized accessories.
- We recommend that the appliance is unplugged each time after use. It should always be disconnected from the electricity supply when not in use for long periods of time.
- The rear of the dryer gets quite hot during use. Position the dryer so that the back is not accessible while in operation, but ensure that the sides have a space available to allow airflow. Use the hose to assist with the ventilation.

For Customer Services & Spare Parts please call **0845 208 8750**  
Opening times: Monday - Friday 9am – 5pm & Saturday 9am – 1pm or visit  
us at **[www.productcareuk.com](http://www.productcareuk.com)**

## Important information

- The special mains cable and plug assembly must only be replaced with a genuine part from the manufacturer, please contact the customer support team below .
- It is important to clean fluff from the window of the dryer and around the door seal after each drying cycle.
- This appliance is not intended for use by persons (including children) with reduced physical, sensory or mental capabilities, or lack of experience and knowledge, unless they have been given specific supervision or instruction concerning use of the appliance by a person responsible for their safety.
- Children should be supervised to ensure they do not play with the appliance.
- The plug of the appliance must be connected to a three-core socket with an earth wire grounded properly.
- If the supply cable is damaged, it must be replaced by the manufacturer, please contact the customer support team listed below.
- Do not disconnect the plug from the socket by pulling the power supply cord. Always hold the plug when disconnecting.
- Do not attempt to disconnect the plug from the socket with wet hands.
- Do not over bend the power cord.
- Do not put too much stress or heavy weights on the power cord.
- Do not use the appliance if the power cord, socket, or plug are damaged.
- Do not install the appliance close to a fire or heat source.
- Do not rest anything burning, such as a candle, on the appliance.
- Do not install the appliance in a damp environment, the dampness may cause damage to the tumble dryer.
- Do not install the tumble dryer in direct sunlight, or in a hot environment.
- Do not use excessive, or high pressure water when cleaning the tumble dryer.
- Do not use the appliance to dry cushions, quilts, duvets, or similar items.
- Do not place items that have any type of oil soaked in to the fabric, in the tumble dryer. There is a potential the oil could catch on fire.

For Customer Services & Spare Parts please call **0845 208 8750**  
Opening times: Monday - Friday 9am – 5pm & Saturday 9am – 1pm or visit  
us at **[www.productcareuk.com](http://www.productcareuk.com)**

## Important information

- Make sure clothing is fully rinsed of detergent and stain remover, before placing in the tumble dryer.
- Do not put combustible liquid or solids, such as oil, gasoline, petrol and alcohol into the appliance or nearby.
- Remove all objects from pockets before use, especially potentially flammable items such as lighters and matches.
- If leakage of a combustible liquid occurs near the appliance, do not connect or disconnect the mains plug.
- This appliance is designed for domestic use only. It should not be used for purposes other than those for which it was designed.
- Only dry fabrics that are designed to be machine dried. Follow the instructions on each garment label.
- Adjust the feet so that adequate air can circulate freely under the appliance, especially if the appliance is placed on a carpeted floor.
- Do not climb on to the dryer or rest heavy objects, heating devices, or items containing water or liquid on to the dryer. They may all cause damage.
  
- Repairs must only be carried out by a qualified professional, if there is a problem, please contact the customer service company listed below.

For Customer Services & Spare Parts please call **0845 208 8750**  
Opening times: Monday - Friday 9am – 5pm & Saturday 9am – 1pm or visit  
us at **[www.productcareuk.com](http://www.productcareuk.com)**

## Important information

- Make sure items that may cause damage, do not get in to the dryer, items such as coins, safety pins, nails, screws, stones . Check the pockets on all the items of clothing.
- Check the appliance is not standing or pressing on the power cable.
- Foam rubber, latex, shower caps, waterproof textiles, rubber backed articles and any other items with foam rubber pads should not be dried in the tumble dryer.
- Always unplug the appliance after use, clean and maintain.
- Do not overload the appliance.
- Do not place clothes that are dripping wet in the tumble dryer..
- Clothes that have been in contact with volatile liquids should not be machine dried. Any fluid should be fully removed from the item before it can be dried.
- Do not dry unwashed items in the tumble dryer.
- The final part of a tumble drying cycle occurs without heat (cool down cycle) to ensure the items are not damaged. Do not stop the dryer before it has fully finished the drying cycle.
- Do not use excessive, or high pressure water when cleaning the tumble dryer.
- Do not use the appliance to dry cushions, quilts, duvets, or similar items.
- Do not place items that have any type of oil soaked in to the fabric, in the tumble dryer. There is a potential the oil could catch on fire.

For Customer Services & Spare Parts please call **0845 208 8750**  
Opening times: Monday - Friday 9am – 5pm & Saturday 9am – 1pm or visit  
us at **[www.productcareuk.com](http://www.productcareuk.com)**

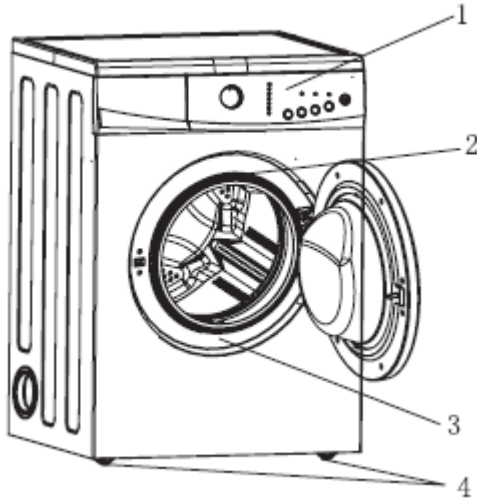
## Warnings

**WARNING:** Never stop a tumble dryer before the end of a drying cycle, unless the items are removed very quickly

- Do not use a two-way adaptor, or extension lead. The dryer must be connected to its own socket.
- Do not block the air inlets at the front, base, rear and side of your dryer.
- Do not allow fluff to accumulate around the tumble dryer. There is a risk the fluff may cause a fire.
- Do not exceed the recommended maximum load.
- Do not dry unwashed items in the tumble dryer.
- Do not place articles in the dryer if anything other than a water solution has been used in the cleaning process.
- Do not attempt to dry dripping wet articles.
- Do not use the tumble dryer if you suspect that it is damaged in any way. Under no circumstances should you attempt to repair the appliance yourself. Repairs carried out by inexperienced persons may cause serious injury. Contact the helpline on the telephone number listed below.
- Do not let children play with the packaging supplied with this appliance.
- Do not handle laundry in the dryer, until it has stopped completely.
- Check the dryer contains only laundry before closing the door to start it working.

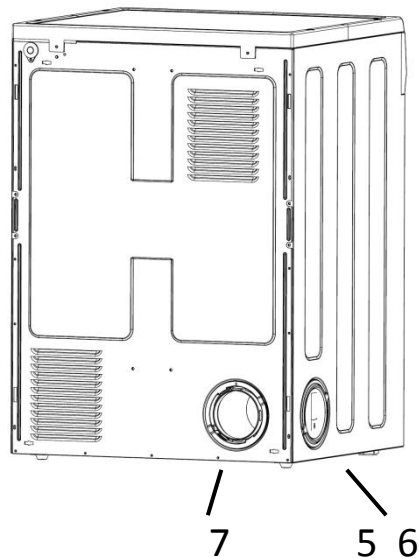
For Customer Services & Spare Parts please call **0845 208 8750**  
Opening times: Monday - Friday 9am – 5pm & Saturday 9am – 1pm or visit  
us at **[www.productcareuk.com](http://www.productcareuk.com)**

## Feature diagram



1. Control Panel
2. Drum Light
3. Filter
4. Adjustable Feet

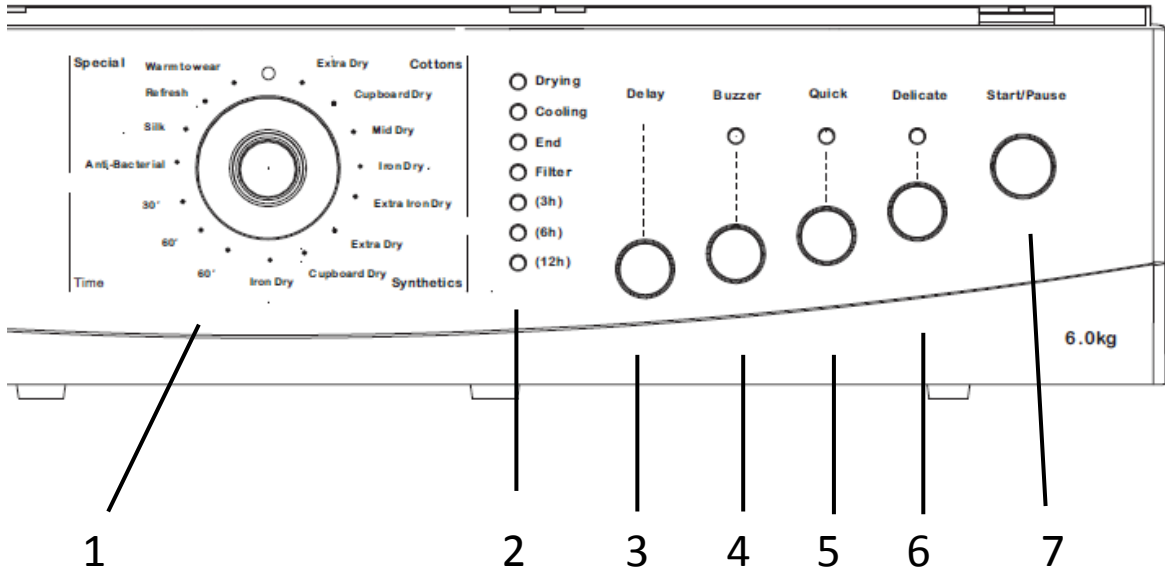
5. Side vent outlet
6. Vent Pipe cover
7. Rear Vent outlet



For Customer Services & Spare Parts please call **0845 208 8750**  
Opening times: Monday - Friday 9am – 5pm & Saturday 9am – 1pm or visit  
us at **[www.productcareuk.com](http://www.productcareuk.com)**



## Control Panel



1. Program Selector Dial
2. Sequence indicator lights
  - Drying
  - Cooling
  - End
  - Filter
3. Delay button and lights
4. Buzzer
5. Quick
6. Delicate
7. Start/Pause

For Customer Services & Spare Parts please call **0845 208 8750**  
Opening times: Monday - Friday 9am – 5pm & Saturday 9am – 1pm or visit  
us at **[www.productcareuk.com](http://www.productcareuk.com)**

## Operating Instructions

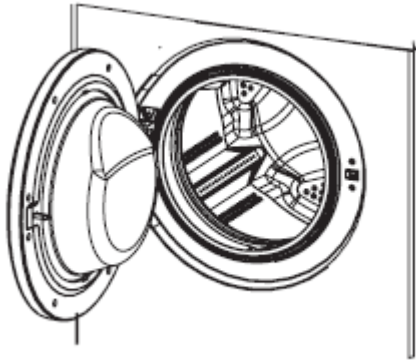
Ensure the appliance is installed correctly, following the important information and warnings listed earlier in the booklet.

Remove all the packaging material, including any material inside the drum.

Before using the appliance for the first time it is advised to place two damps inside the drum and dry them for 30 minutes. There may be some dust in the drum of the tumble dryer, and this will help remove the dust.

Open the door, place the laundry in the drum, one item at a time, lightly shake and loosen the clothing to prevent it getting tangled.

Close the door, ensuring no items are trapped in the door.



Turn the program selector dial to the required programme. The start/pause light will flash. The program will be switched off if you have not pressed the start/pause button within 10 minutes. Press the Start/Pause button to start the drying cycle.

The selector dial is divided into the following sections;

- Cottons
- Synthetics
- Time
- Special

For Customer Services & Spare Parts please call **0845 208 8750**  
Opening times: Monday - Friday 9am – 5pm & Saturday 9am – 1pm or visit  
us at **[www.productcareuk.com](http://www.productcareuk.com)**

## Operating Instructions

### **Automatic controlled drying (Cottons, Synthetics and Special)**

The appliance detects the moisture in the load automatically, adjusting the drying time for optimal performance. Select the program according to the fabric. This drying system is suitable for all cotton programs, synthetic programs and the special settings for anti bacterial and silk.

### **Time controlled drying (Time)**

The drying time can be selected at 30,60 or 90 minutes for cottons, synthetics are better at 30 minutes.

Instead of the dryer automatically sensing when the items are dry, it runs for a fixed period of time. At the end of the drying time, turn the selector dial to "0" to switch the machine off before removing the laundry.

### **Combinations**

Different functions can be combined. These must be selected after choosing the desired program and before pressing the start/pause button. When these buttons are pressed the corresponding lights illuminate, if it is pressed again the light will go out.

Some combinations cannot be selected.

### **Delayed start**

The drying cycle can be delayed by up to 12 hours. This option must be selected after selecting the required program and before pressing the start/pause button. It is also possible to use the delay with other combinations (Buzzer, quick or delicate). Press the button repeatedly to select 3,6 or 12 hours, the relevant indicator light will illuminate on the display.

The delayed start cannot be selected combined with the special program.

The dryer will start counting down to the start time after the start/pause button has been pressed.

For Customer Services & Spare Parts please call **0845 208 8750**  
Opening times: Monday - Friday 9am – 5pm & Saturday 9am – 1pm or visit  
us at **[www.productcareuk.com](http://www.productcareuk.com)**

## Operating Instructions

### **Buzzer function**

If you select the buzzer, the corresponding indicator light will illuminate. The machine will buzz whenever a button is pressed, and at the end of a cycle. To de-activate the buzzer, press the button so that the indicator light turns off.

### **Quick function**

The quick function will reduce the drying time by 3-5 minutes. When selected the corresponding light will illuminate. This option cannot be selected with the delicate function.

### **Delicate function**

The delicate function can be selected when cottons, or synthetics are selected. Pressing this button lowers the temperature for delicate items, the corresponding light will illuminate when the button is pressed.

### **Start/Pause**

This button must be pressed to start the dryer after selecting the desired programme. If the door of the dryer is opened during a cycle, the start/pause button must be pressed again to continue the cycle. At this point the light on the start/pause button flashes to remind you that the start button needs to be pressed again.

### **LEDs/illumination**

There are lights next to the various stages in the drying cycle. The drying light illuminates during the drying phase, the cooling light illuminates as the appliance cools down. The end light illuminates at the end of the cooling phase, this is an anti creasing phase. The filter light illuminates at the end to remind the user the filter needs cleaning.

For Customer Services & Spare Parts please call **0845 208 8750**  
Opening times: Monday - Friday 9am – 5pm & Saturday 9am – 1pm or visit  
us at **[www.productcareuk.com](http://www.productcareuk.com)**

## Operating Instructions

All drying programs end with a 5 or 10 minute cooling phase. Following this, if the laundry is not removed then at the end of the cycle the dryer will perform an anti creasing phase. The duration of the anti creasing phase is approximately 30 minutes. If you do not remove the laundry, the dryer will stop automatically at the end of the anti-creasing phase. The 'End' light will illuminate and the buzzer will sound for 15 seconds, if it has been selected, at the end of the phase. Turn the programme selector dial to '0' and all lights will go out.

If the drying program is stopped before the end of the program, it's suggested the dial is turned to 'warm to wear' then wait until the machine has completed the cooling phase before removing the laundry. This avoids a build up of heat inside the appliance. To do this, first turn the dial to '0' and then rotate the dial to 'warm to wear' and press the start button.





To change a program that has already started, firstly cancel it by rotating the dial to '0'. Then select the desired programme and press the start button.

**Important, after each use make sure the filter is cleaned.**

For Customer Services & Spare Parts please call **0845 208 8750**  
Opening times: Monday - Friday 9am – 5pm & Saturday 9am – 1pm or visit  
us at **[www.productcareuk.com](http://www.productcareuk.com)**

## Operating Instructions

- Never tumble dry the following; Delicate items such as net curtains, woollen items, silk items, items with metal trims, nylon tights, bulky items such as blankets, or sleeping bags, feather quilts and items containing or including rubber foam.
- Follow the instructions on the garment label;

	Tumble dry
	Normal dry
	Delicate drying
	<b>Do Not tumble dry</b>

- To prevent some items getting tangled, make sure zips, press studs, and hooks are closed, to try and prevent any tangling with other items.
- Do not over dry laundry, by not over drying it avoids creasing and saves energy.
- Avoid drying dark clothes with light coloured fluffy items, the fluff will be noticeable on the dark clothing.
- Make sure the laundry is thoroughly spun before tumble drying.

For Customer Services & Spare Parts please call **0845 208 8750**  
Opening times: Monday - Friday 9am – 5pm & Saturday 9am – 1pm or visit  
us at **[www.productcareuk.com](http://www.productcareuk.com)**

## Operating Instructions

The following table lists some common items and their approximate weight, consider this when loading the dryer. Do not overload.

Bathrobe	1200g	night dress	200g
napkin	100g	ladies' briefs	100g
quilt cover	700g	men's work shirt	600g
sheet	500g	men's shirt	200g
pillow case	200g	men's pyjamas	500g
tablecloth	250g	blouse	100g
towelling towel	200g	men's underpants	100g
tea cloth	100g		

The dryer performs better if the filter is clean. The filter must be cleaned, with a damp cloth at the end of each cycle.

For Customer Services & Spare Parts please call **0845 208 8750**  
Opening times: Monday - Friday 9am – 5pm & Saturday 9am – 1pm or visit  
us at **[www.productcareuk.com](http://www.productcareuk.com)**

## Technical Specification

Dry Capacity (kg)	6.0
Electrical connection Voltage-Overall power-Fuse	Information on the electrical connection is given on the rating plate
Depth with loading door open(mm)	1030
Use	The room temperature must not be lower than +5° C and higher than +35° C
Dimensions(W*D*H) (mm)	595*555*850

For Customer Services & Spare Parts please call **0845 208 8750**  
Opening times: Monday - Friday 9am – 5pm & Saturday 9am – 1pm or visit  
us at **[www.productcareuk.com](http://www.productcareuk.com)**



## Installation

For convenience, dryers are often positioned close to the washing machine, so the laundry can be easily transferred. The tumble dryer will expel moist air, and it's recommended this is directed outside to avoid condensation accumulating inside a room. Position the vent hose supplied, through a window or similar.

Install the dryer in a clean environment, and make sure there are no obstructions around any vents. It should be placed on a firm level surface, this helps keep noise and vibration to a minimum.

There should be no movement from the dryer. Adjust the feet underneath the dryer to make sure it is completely stable. Do not remove the feet from the dryer.

The hot air emitted from the tumble dryer can reach temperatures of 60c, therefore, make sure the floor can handle these temperatures. The tumble dryer works best in a room between 5c and 35c.

Position the other end of the vent hose outside so the moisture can escape. Contact a qualified tradesman to fit the vent hose so it exits through a wall or door.

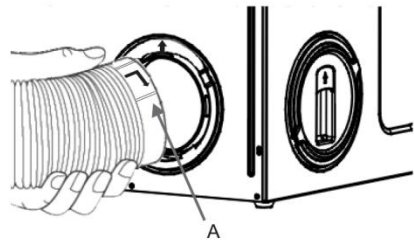
### Fitting the vent hose

Use the rear or side vent, whichever is more convenient.

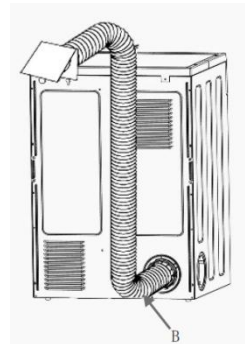
Align the arrows on the hose and on the ring nut.

Push in and rotate to secure the hose (A).

Add the snap cover to the unused vent hole, in this diagram it is on the side.



Moisture may accumulate in the hose, it may be useful to drill a small hole at a low point to allow the moisture to escape (B). Do not allow more than two bends in the hose.



For Customer Services & Spare Parts please call **0845 208 8750**  
Opening times: Monday - Friday 9am – 5pm & Saturday 9am – 1pm or visit  
us at **[www.productcareuk.com](http://www.productcareuk.com)**

## Connection to the mains supply

### **WARNING-** THIS APPLIANCE MUST BE EARTHED

This appliance is designed to operate from a mains supply of AC230V ~ 50HZ.  
Check that the voltage marked on the product corresponds with your supply voltage.

This product is fitted with a 13A plug complying with BS1363.

If this plug is unsuitable or needs to be replaced, please note the following:

Important: The wires in the mains lead are  
Coloured in accordance with the following code:

GREEN/YELLOW - EARTH

BLUE - NEUTRAL

BROWN - LIVE



For UK use only – Plug fitting details (where applicable):

As the colours of the wires in the mains lead of this appliance may not correspond with the coloured markings identifying the terminals in your plug, proceed as follows:

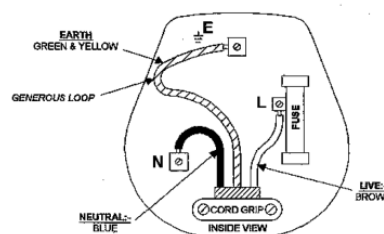
The GREEN/YELLOW wire is the EARTH and must be connected to the terminal which is marked with the letter E or by the earth symbol or coloured GREEN or GREEN/YELLOW.

The BLUE wire is the NEUTRAL and must be connected to the terminal marked with the letter N or coloured BLACK.

The BROWN wire is the LIVE wire and must be connected to the terminal marked with the letter L or coloured RED.

Always ensure that the plug cord grip is fastened correctly.

If a 13A (BS1363) fused plug is used it must be fitted with a 13amp fuse conforming to BS1362 and be BSI or ASTA approved.



For Customer Services & Spare Parts please call **0845 208 8750**

Opening times: Monday - Friday 9am – 5pm & Saturday 9am – 1pm or visit  
us at **[www.productcareuk.com](http://www.productcareuk.com)**



For Customer Services & Spare Parts  
please call

**0845 208 8750**

Opening times: Monday - Friday  
9am – 5pm & Saturday 9am – 1pm

or visit us at

**www.productcareuk.com**

Revision 1



This symbol is known as the 'Crossed-out wheellie bin Symbol'. When this symbol is marked on a product/batteries, it means that the product/batteries should not be disposed of with your general household waste. Only discard electrical/electronic/battery items in separate collection schemes, which cater for the recovery and recycling of materials contained within. Your co-operation is vital to make sure the success of these schemes and for the protection of the environment. For your nearest disposal facility, visit [www.recycle-more.co.uk](http://www.recycle-more.co.uk) or ask in store for details.

We reserve the right due to possible changes to design to alter the instruction manual without prior notice.

For Customer Services & Spare Parts please call **0845 208 8750**  
Opening times: Monday - Friday 9am – 5pm & Saturday 9am – 1pm or visit  
us at **www.productcareuk.com**

## Free Manuals Download Website

<http://myh66.com>

<http://usermanuals.us>

<http://www.somanuals.com>

<http://www.4manuals.cc>

<http://www.manual-lib.com>

<http://www.404manual.com>

<http://www.luxmanual.com>

<http://aubethermostatmanual.com>

Golf course search by state

<http://golfingnear.com>

Email search by domain

<http://emailbydomain.com>

Auto manuals search

<http://auto.somanuals.com>

TV manuals search

<http://tv.somanuals.com>