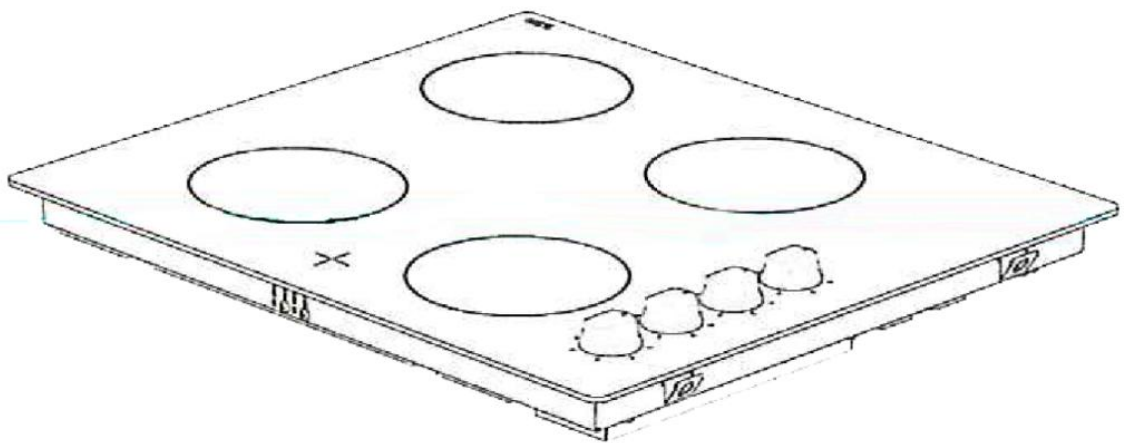




Russell Hobbs

Built in Electric Ceramic Hob

Instruction Manual



Model number: RHEH1

For Customer Services & Spare Parts please call **0845 208 8750**
Opening times: Monday - Friday 8am – 6pm & Saturday 9am – 1pm or visit
us at **www.productcareuk.com**

Contents

Safety Instructions	3 - 4
Before using the appliance	5
Installation	6 - 9
How to use	10-
Maintenance	11
Trouble shooting	12
Specification	13
Spare parts	14

For Customer Services & Spare Parts please call **0845 208 8750**
Opening times: Monday - Friday 8am – 6pm & Saturday 9am – 1pm or visit us at
www.productcareuk.com

Safety Instructions

- **Please comply with these instructions. If you do not, any damage resulting from improper, incorrect or negligent use or improper connection or installation is not covered by the manufacturer's guarantee.**
- **Electric oven and hobs must be connected to an electrical cooker powerpoint - consult a qualified electrician. Products must be installed in accordance with the manufacturer's safety recommendations.**
- This appliance must only be used for the purpose of heating or cooking food, any other use, for example heating rooms, working surface or storage surface is dangerous and will void the manufacturer's guarantee.
- Additions or modifications to the appliance are not permitted.
- Do not place or store flammable liquids, highly inflammable materials or fusible objects on or near the appliance.
- Small children must be kept away from the appliance.
- The electrical safety of this hob is guaranteed only if it is connected to a properly earthed system, which complies with the electrical safety standards.
- Built-in appliances may only be used after they have been built in to suitable built-in units and work surfaces that meet the standards.
- Do not put pressure on the power supply cable while fitting the hob.
- Power supply cable length should not exceed 2m for isolation safety.
- In the event of faults with the appliance or damage to the glass ceramic (cracks, scratches or splits), the appliance must be switched off and disconnected from the electrical supply to prevent the possibility of an electric shock.
- Repairs to the appliance must only be carried out by authorised service personal.
- Make sure all the packaging has been removed before you use the appliance.
- Cables from electrical appliances must not touch the hot surface of the appliance or hot cookware.
- Never leave the appliance hob unattended when cooking with fat or oil. They can rapidly catch fire if overheated.
- Do not cut any food on the glass of the Vitroceramic hob. Glass panels should not be used as working surfaces.
- Be careful when using small household appliances, such as irons, near the elements.
- Do not use the cooking zones with empty cookware or without cookware.
- Make sure all the controls are in the off position when not in use.
- For cleaning, the appliance must be switched off and cooled down.
- For safety reasons, the cleaning of the appliance with steam jet or high pressure cleaning equipment is not permitted.

For Customer Services & Spare Parts please call **0845 208 8750**

Opening times: Monday - Friday 8am – 6pm & Saturday 9am – 1pm or visit us at

www.productcareuk.com

Safety Instructions

- Use only stable flat-based pans.
- This appliance is not intended for use by persons (including children) with reduced physical, sensory or mental capabilities, or lack of experience and knowledge, unless they have been given supervision or instruction concerning use of the appliance by a person responsible for their safety.
- Children should be supervised to ensure that they do not play with the appliance.
- If the supply cord is damaged, it must be replaced by the manufacturer, its service agent or similarly qualified persons in order to avoid a hazard.
- The appliance is not intended to be operated by means of an external timer or separate remote-control system

WARNING:

If the surface is cracked, switch off the appliance to avoid the possibility of electric shock.

WARNING:

Accessible parts may become hot during use. Young children should be kept away.


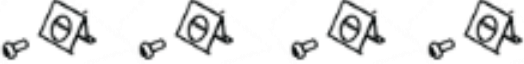
Important note

Electric oven and hobs must be connected to an electrical cooker powerpoint - consult a qualified electrician. Products must be installed in accordance with the manufacturer's safety recommendations.

For Customer Services & Spare Parts please call **0845 208 8750**
Opening times: Monday - Friday 8am – 6pm & Saturday 9am – 1pm or visit us at
www.productcareuk.com

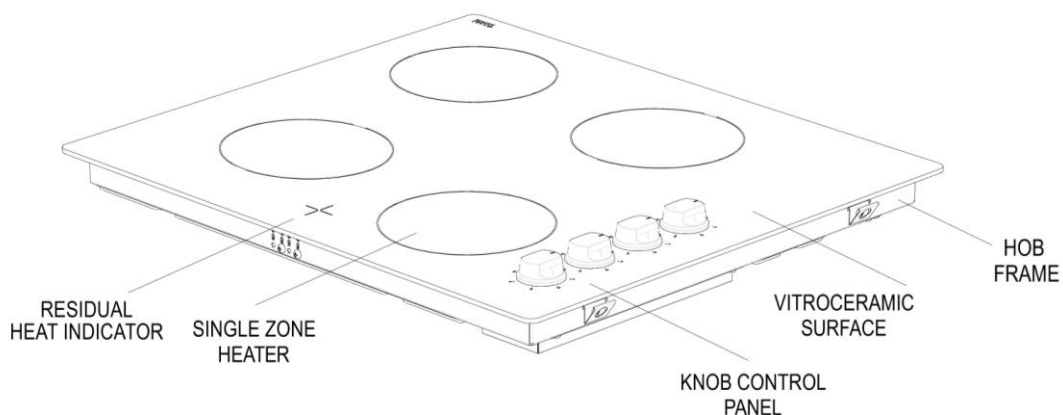
Before using the appliance

- Electric oven and hobs must be connected to an electrical cooker powerpoint - consult a qualified electrician. Products must be installed in accordance with the manufacturer's safety recommendations.
- This appliance must only be used for its intended purpose, domestic cooking. Any other form of usage is to be considered as inappropriate, dangerous and will void the manufacturer's guarantee
- The manufacturer declines all responsibility in the event of damage caused by improper or incorrect use or installation of the appliance.
- Before installation, check that all parts listed below are present. If any parts are missing, please contact the product care service team on 0845 208 8750.

Self-adhesive tape	Worktop mounting brackets & screws
	

Note

The drawings in the book may vary from your hob model. They are designed to show the different features of all models covered by this book. Your model may not include all features.



For Customer Services & Spare Parts please call **0845 208 8750**
Opening times: Monday - Friday 8am – 6pm & Saturday 9am – 1pm or visit us at
www.productcareuk.com

Installation

Electric oven and hobs must be connected to an electrical cooker powerpoint - consult a qualified electrician. Products must be installed in accordance with the manufacturer's safety recommendations. Failure to do so will void the manufacturer's guarantee.

Before connecting your appliance to the mains at home, make sure to check the conformity of the voltage settings. These are specified on the information sticker attached to the appliance and/or packaging, with the usage conditions.

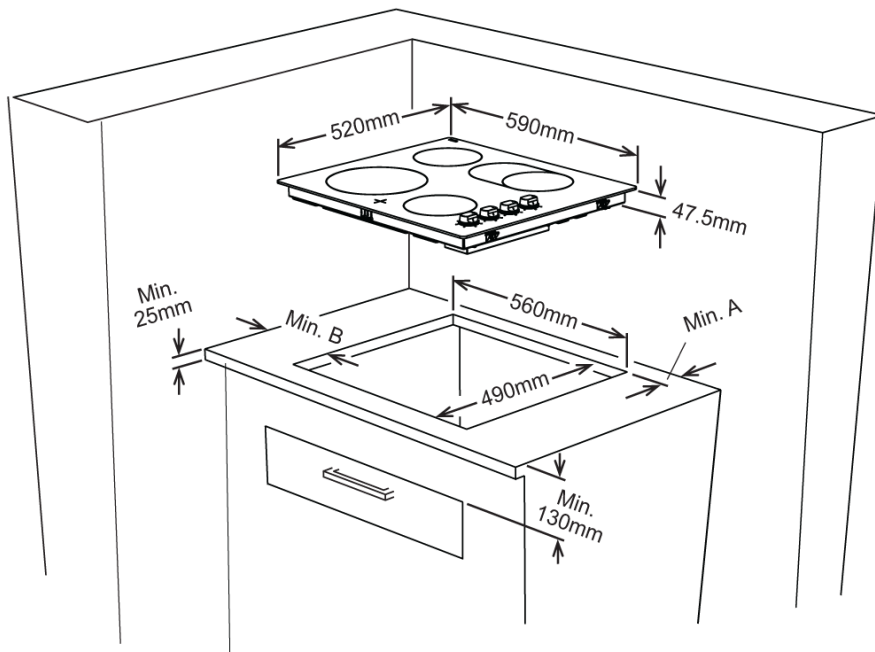
The laws, ordinances, directives and standards in force in the country of use are to be followed (safety regulations, proper recycling in accordance with the regulations, etc.)

Locating your built-in hob

After removing the packaging material from the appliance and its accessories, ensure that the hob is not damaged. If you suspect any damage, do not use the appliance and contact an authorised service personal, qualified electrician or Product Care, **(0845 208 8750)**, immediately.

This built-in hob is to be inserted into a cut out of a worktop.

Create an opening with the dimensions shown in the picture below. The distance between the rear edge of the hob and any adjacent wall is dependent on the wall surface. Easily combustible material like curtains, paper, clothes, etc. should not be located nearby hob.



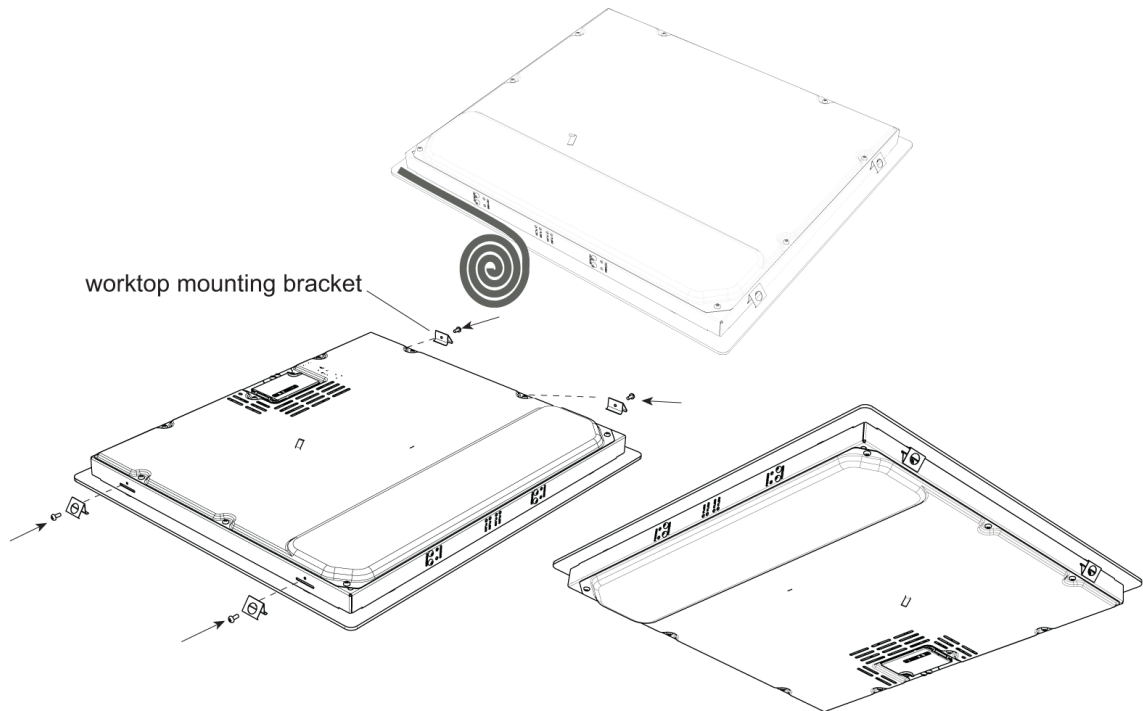
Installation

Once the cut-out in the work surface has been made and you have checked the hob will fit correctly into it. Apply the one-sided self-adhesive sealing tape supplied all the way round the lower edge of the hob surface along the outer edge of the glass ceramic panel.

Important note

Do not stretch the self-adhesive sealing tape

Screw the 4 worktop mounting brackets on the side walls of product.

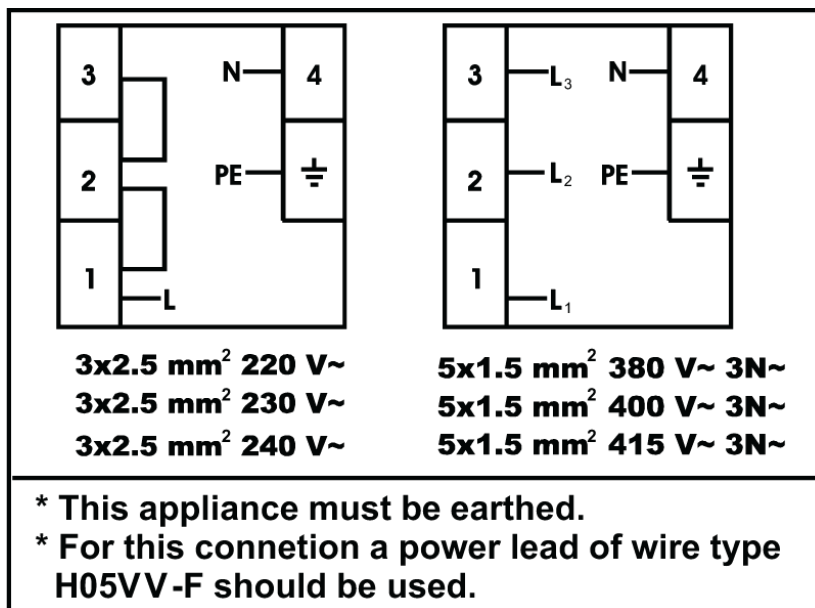


For Customer Services & Spare Parts please call **0845 208 8750**
Opening times: Monday - Friday 8am – 6pm & Saturday 9am – 1pm or visit us at
www.productcareuk.com

Installation

Electrical connection

- **Electric oven and hobs must be connected to an electrical cooker powerpoint - consult a qualified electrician. Products must be installed in accordance with the manufacturer's safety recommendations.**
- Before proceeding with the electrical connection, verify that the current carrying capacity of the system and the socket is adequate for the maximum power rating of the hob.
- Electrical installation of the residence and of the appliance's plug must be earthed and conform with the required safety regulations.
- If there is no dedicated hob circuit and a fused switch, they must be installed by a qualified electrician before the hob is connected.
- A Fused switch must be easily accessible once the hob has been installed.
- Do not use adaptors, multiple sockets and/or extension leads.
- This appliance conforms with the requirements of the following EEC Directives:
 1. Vitroceramic hob EEC/73/23 and 93/68, EEC/89/336 relating to radio interference,
 2. EEC/89/109 relating to contact with foods.
- A circuit breaker with a contact opening of at least 3 mm, rated 20A and delayed functioning type must be installed inside the supply circuit.



For Customer Services & Spare Parts please call **0845 208 8750**

Opening times: Monday - Friday 8am – 6pm & Saturday 9am – 1pm or visit us at

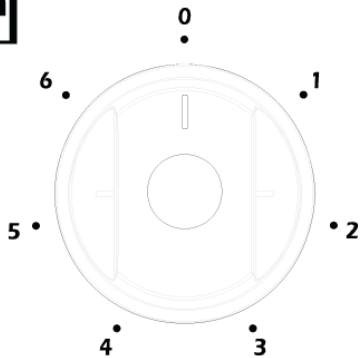
www.productcareuk.com

Installation

- For the Vitroceramic hob, the cable must be H05VV-F 3X2,5 mm² / 60227 IEC 53. You will find the connection diagram shown on the back of your appliance.
- During installation, please insure that isolated cables are used. An incorrect connection might damage your appliance and will void the manufacturer's guarantee.
- All repairs must be carried out by an authorised service personal or a qualified electrician.
- Unplug your appliance before each maintenance. For reconnection, follow the connection diagrams strictly.

For Customer Services & Spare Parts please call **0845 208 8750**
Opening times: Monday - Friday 8am – 6pm & Saturday 9am – 1pm or visit us at
www.productcareuk.com

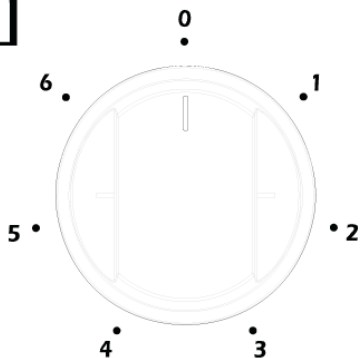
How to use



The appliance is operated by using the dial controls that are located on the right side of the product. The dial that operates a specific cooking zone is shown by indicator diagram next to each dial.

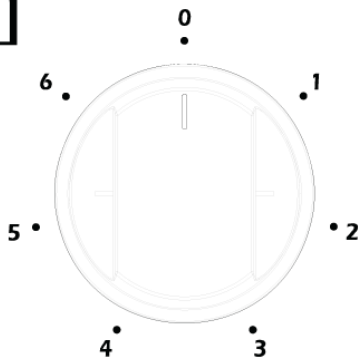


Each cooking zone dial has 6 heat levels:



0	Off
1	Keep warm
2 & 3	Low heat
4,5 & 6	Cooking, roasting & boiling

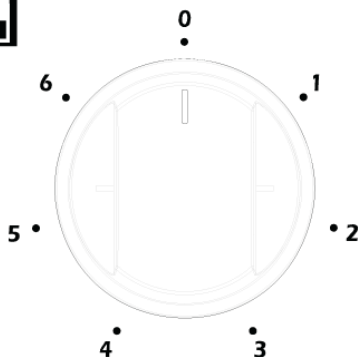
To turn on a required cooking zone turn the appropriate dial in a clockwise direction to the necessary heating level. To turn off a required cooking zone turn the appropriate dial in an anti-clockwise direction to the 0 mark.



When a cooking zone is turned on the residual heat display lamp for that cooking zone will light up.

Important note

The residual heat indicator lamp for a cooking zone will still stay lit after the cooking zone has been turned off. This is because the surface of the cooking zone will still be hot. The lamp will go out when the temperature of the surface/cooking zone has cooled to the necessary temperature. Caution still needs to be taken as even when the lamp goes out the surface will still be warm/hot to touch.



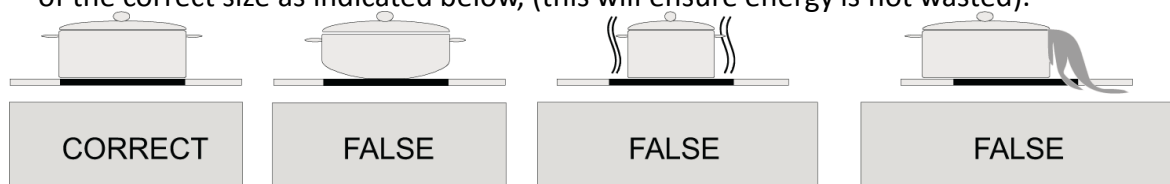
Note

If the power supply of the hob is interrupted or a cooking zone is turned off and on the residual heater lamp for that cooking zone will flash.

Maintenance

Cookware

- Cookware with rough bottoms should not be used since these can scratch the ceramic glass surface. The bottom of the good cookware should be as thick and as flat as possible.
- Before using any cookware with hob, make sure that the bottoms of the cookware are clean and dry.
- Always place the cookware on the cooking zone before it is switched on. If possible, always place the lids on the cookware, (this will ensure energy is not wasted).
- Bottom of cookware must not be smaller or larger than the cooking zones, they should of the correct size as indicated below, (this will ensure energy is not wasted).



Cleaning

- **Before cleaning the hob, first remove the plug from the electrical supply socket. Then ensure that there is no residual heat stored in the appliance. If there is residual heat stored in the appliance, the appropriate residual heat indicator lamp will be on). In order to avoid burns, let the appliance cool down.**
- Remove all food and fat stains with a window scrape.
- Then wipe the hob with a suitable washing up liquid and a clean damp cloth.
- To dry the hob rub the appliance using a clean dry cloth.
- If aluminium foil or plastic items have accidentally melted on the hob surface, they should be immediately removed from the hot cooking area with a scraper. This will avoid any possible damage to the surface. This also applies to sugar or food containing sugar that may have been spilt on the hob.
- If any other food or liquid has been spilt on the hob surface, remove the dirt when the appliance has cooled down.
- Do not use a dishcloth or abrasive sponge to clean the Vitroceramic surface. These materials may damage the surface.
- Do not use chemical detergents, sprays or stain removers on the Vitroceramic surface. These materials may cause fire or Vitroceramic colour fade. **Clean with water and washing up liquid.**

For Customer Services & Spare Parts please call **0845 208 8750**

Opening times: Monday - Friday 8am – 6pm & Saturday 9am – 1pm or visit us at

www.productcareuk.com

Trouble shooting

- **Electric oven and hobs must be connected to an electrical cooker powerpoint - consult a qualified electrician. Products must be installed in accordance with the manufacturer's safety recommendations.**
- All repairs must be carried out by an authorised service personal or a qualified electrician.

Specification

Specification

Model	RHEH1
Dimension (mm)	(H)47.5 X (W)590 X (D)520
Cut-out dimensions (mm)	(W)560 x (D)490
Hob	Vitroc ceramic
Ø145mm radiant element (W)	1200
Ø180mm radiant element (W)	1700
Hot surface indicator light	Yes
Maximum total power (depends on model) (kW)	5,8
Voltage (V)	230/ 400V 3N~
RoHS compliance	Standard
CE compliance	Standard

For Customer Services & Spare Parts please call **0845 208 8750**
Opening times: Monday - Friday 8am – 6pm & Saturday 9am – 1pm or visit
us at **www.productcareuk.com**

Spare parts

Spare part	Contact details
Adhesive tape	Available at www.productcareuk.com or call 0845 208 8750
Dials	Available at www.productcareuk.com or call 0845 208 8750
Other	Available at www.productcareuk.com or call 0845 208 8750

For Customer Services & Spare Parts please call **0845 208 8750**
Opening times: Monday - Friday 8am – 6pm & Saturday 9am – 1pm or visit
us at www.productcareuk.com

For Customer Services & Spare Parts
please call

0845 208 8750

Opening times: Monday - Friday
8am – 6pm & Saturday 9am – 1pm

or visit us at

www.productcareuk.com

Revision 1



This symbol is known as the 'Crossed-out wheellie bin Symbol'. When this symbol is marked on a product/batteries, it means that the product/batteries should not be disposed of with your general household waste. Only discard electrical/electronic/battery items in separate collection schemes, which cater for the recovery and recycling of materials contained within. Your co-operation is vital to make sure the success of these schemes and for the protection of the environment. For your nearest disposal facility, visit www.recycle-more.co.uk or ask in store for details.

We reserve the right due to possible changes to design to alter the instruction manual without prior notice.

For Customer Services & Spare Parts please call **0845 208 8750**
Opening times: Monday - Friday 8am – 6pm & Saturday 9am – 1pm or visit
us at **www.productcareuk.com**

Free Manuals Download Website

<http://myh66.com>

<http://usermanuals.us>

<http://www.somanuals.com>

<http://www.4manuals.cc>

<http://www.manual-lib.com>

<http://www.404manual.com>

<http://www.luxmanual.com>

<http://aubethermostatmanual.com>

Golf course search by state

<http://golfingnear.com>

Email search by domain

<http://emailbydomain.com>

Auto manuals search

<http://auto.somanuals.com>

TV manuals search

<http://tv.somanuals.com>