



## 17 Litre microwave oven



### **User's manual**

**Model number: RHM1712**

Please read these instructions carefully and keep them for future reference

# Contents

	Page
About this microwave oven.....	2
Safety instructions.....	3
Microwave oven Installation.....	4
Feature diagram.....	5
Control panel.....	6
How to use your microwave oven.....	8
Cleaning and care.....	14
Problem solving.....	15
Important utensil information.....	15
Technical specification.....	16

## About this microwave oven

Microwaves are high-frequency electromagnetic waves similar to radio waves. While radio waves may vary in length from one metre to many kilometres, microwaves are very short (less than 12.5 centimetres). Microwaves do not make any heat themselves but only cause water molecules in food to vibrate. This vibration produces heat that cooks the food. This is why your food will come out of the microwave piping hot, when your utensils inside the oven stay much cooler. The microwaves do not stay in the air or in the food when you open the microwave oven door.

The microwave oven will work using an ordinary household electrical socket. Inside the microwave oven is the magnetron, which turns the electrical energy into microwaves. Microwaves cannot go through metal, so the inside of the oven is lined with metal. The door is lined with a fine metal mesh which stops microwaves getting through. This means that when the microwave oven door is shut, there is no possibility that microwaves can be released. This is why the microwave oven has been made so that it will not work when the door is open.

Before you use your microwave oven

- 1 Remove all the packaging. Do not remove the small piece of card from the right hand side of the cavity wall. This is called a wave-guide cover and allows the microwaves to pass through to cook the food.
- 2 Check the oven after unpacking for any visual damage such as:
  - a misaligned door
  - damage to the door
  - dents or holes in the door window and screen
  - dents in the inside
  - If you can see any damage **do not** use the oven

This microwave oven weighs approximately 10.5kg so you must put it on a horizontal surface that is strong enough to support this weight.

The oven must be placed away from high temperatures and steam.

Do not put anything on the top of the microwave oven.

Only use the accessories supplied by the manufacturer.

**Warning:** do not use the microwave when it is empty.

## Safety instructions

- Do not use the oven for any reason other than preparing food, such as for drying clothes, paper or any other non-food items, or for sterilising purposes.
- Do not use the oven when it is empty. This could damage the oven.
- Do not store anything in the oven, such as papers, cookbooks and so on.
- Do not cook any food surrounded by a membrane, such as egg yolks, potatoes, chicken livers, ready meals and so on without piercing them several times with a fork.
- Never put any objects into the openings on the outer case.
- Never remove parts from the oven such as the feet, screws and so on.
- You should use microwave utensils only in line with these instructions.
- Do not try to deep-fry foods in this oven.
- Heat from the contents of a container may be transmitted to the container itself, so please be careful when removing it from the oven. Please remember that the food or liquid inside will be releasing some steam or will be spitting. Never cover any container fully, always leave a gap for steam to escape.
- Cooking utensils may become hot because of heat transferred from the heated food. This is especially true if plastic wrap has been covering the top and handles of the utensil. You may need oven gloves to handle the utensil.
- The contents of feeding bottles and baby food jars shall be stirred or shaken and the temperature checked before consumption, in order to avoid burns.
- Always test the temperature of cooked food, never eat or drink food or liquid straight from the oven, allow it to stand for a few minutes and stir to distribute the heat evenly.
- Food containing a mixture of fat and water (for example, stock) should stand for 30 to 60 seconds in the oven after it has been turned off. This is to allow the mixture to settle and to prevent it from bubbling when a spoon is placed in it, or a stock cube is added.
- When heating or cooking food or liquid, remember that there are certain foods (such as Christmas puddings, jam and mincemeat) which heat up very quickly.
- When heating or cooking foods that contain a lot of fat or sugar, do not use plastic containers.
- Always have the glass tray and turntable support in place when using the oven.
- Never remove parts from the oven such as the feet, screws and so on.
- Do not cook food directly on the glass tray. Put food on a suitable plate or in a bowl before putting it in the oven.

To reduce the risk of fire in the oven cavity:

- do not overcook food
- do not leave the microwave oven unattended while you are using it
- remove wire twist-ties from bags before putting the bag in the oven
- if materials inside the oven catch fire, keep the oven door closed, turn the oven off at the wall switch, or shut the power off at the fuse or circuit-breaker panel

**Warning:** this oven must be positioned so that the plug is accessible and the plug socket is within easy reach of the power cord.

**Warning:** children should not use this microwave oven.

**Warning:** this appliance is not intended for use by persons (including children) with reduced physical, sensory or mental capabilities, or lack of experience and knowledge, unless they have been given supervision or instruction concerning use of the appliance by a person responsible for their safety.

Children should be supervised to make sure that they do not play with the appliance.

**Warning:** it is hazardous for anyone other than a competent person to carry out any service or repair operation which involves the removal of a cover which gives protection against exposure to microwave energy.

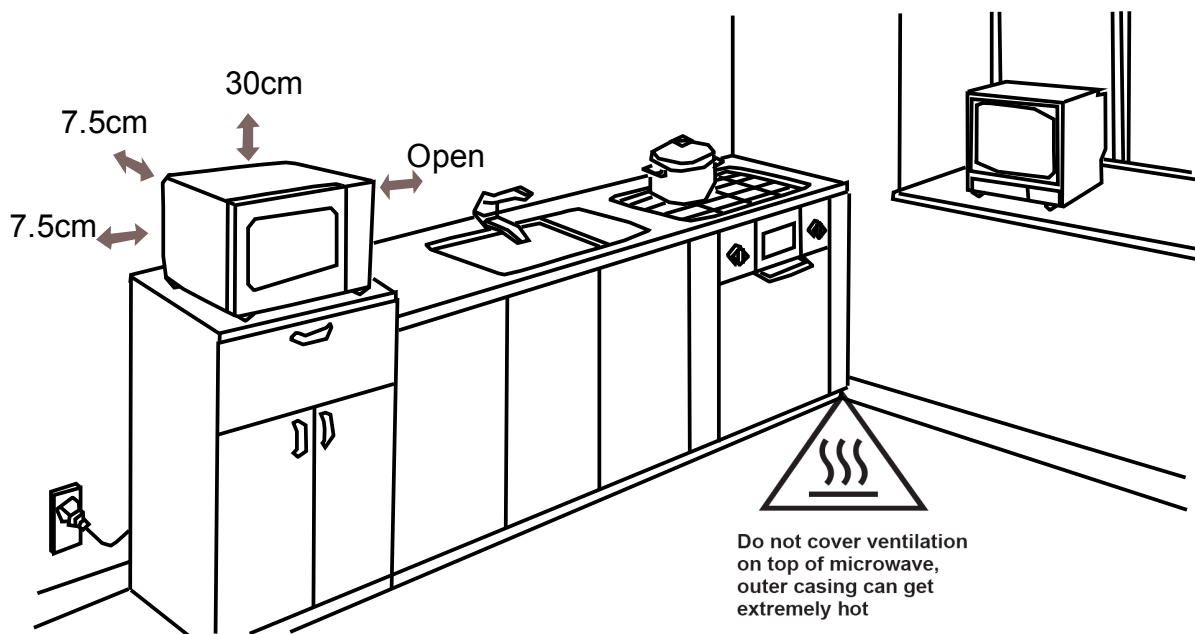
**Warning:** if the door or door seals are damaged, the oven must not be operated until it has been repaired by a competent person. The door seals are located around the window on the inside of the door. These seals are not airtight, although no microwaves can be released, it is normal for small amounts of air or steam to escape when the oven is in use.

**Warning:** liquids and other foods must not be heated in sealed containers as they are liable to explode.

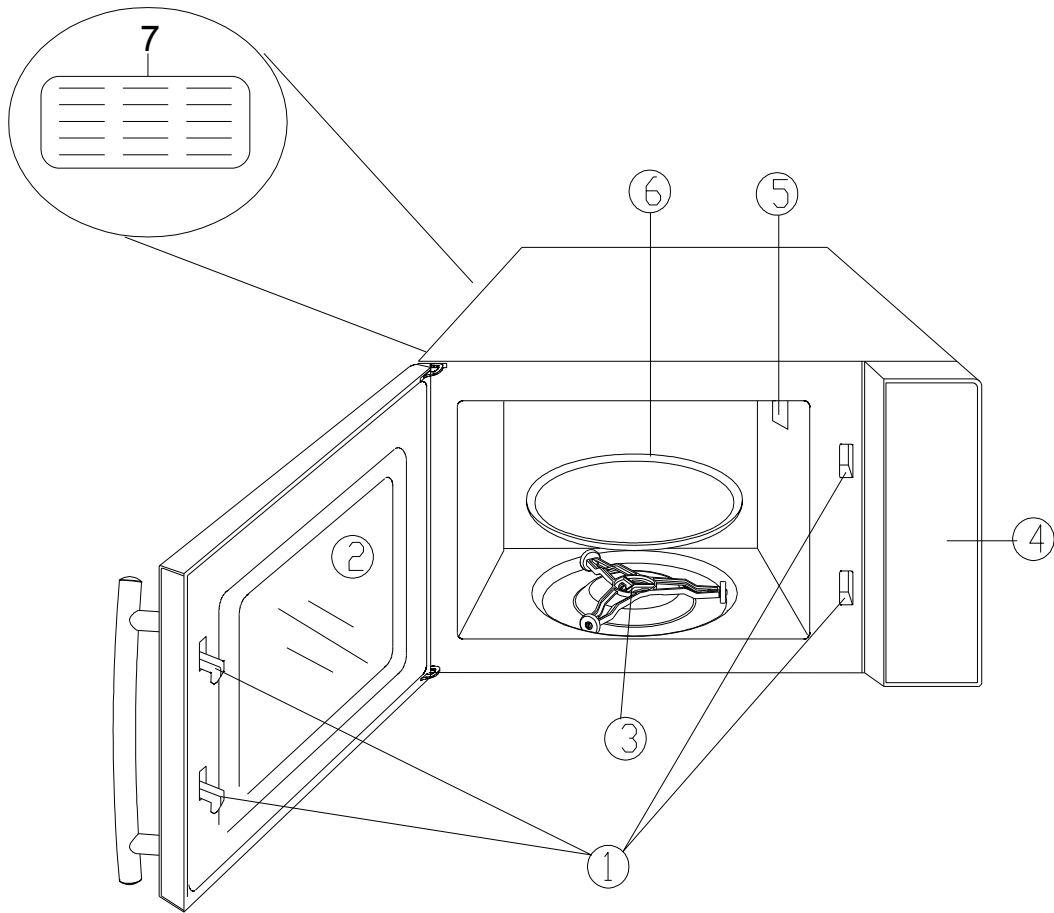
## Microwave oven Installation

1. Select a level surface that provides enough space for the outlet vents.
2. A minimum clearance of 3 inches (7.5cm) is required between the oven and any adjacent walls. One side must be open. Leave a minimum clearance of 12 inches (30cm) above the oven.
3. Place the oven as far away from radios and TV's as possible. Using the oven may cause interference with the reception.
4. Plug the oven into a suitable 13 amp mains socket, make sure the voltage is the same as on the rating label (do not use extension cables or mains socket adaptors).

**Warning:** do not install the oven over a cooker or other heat producing appliance. This will damage the oven.

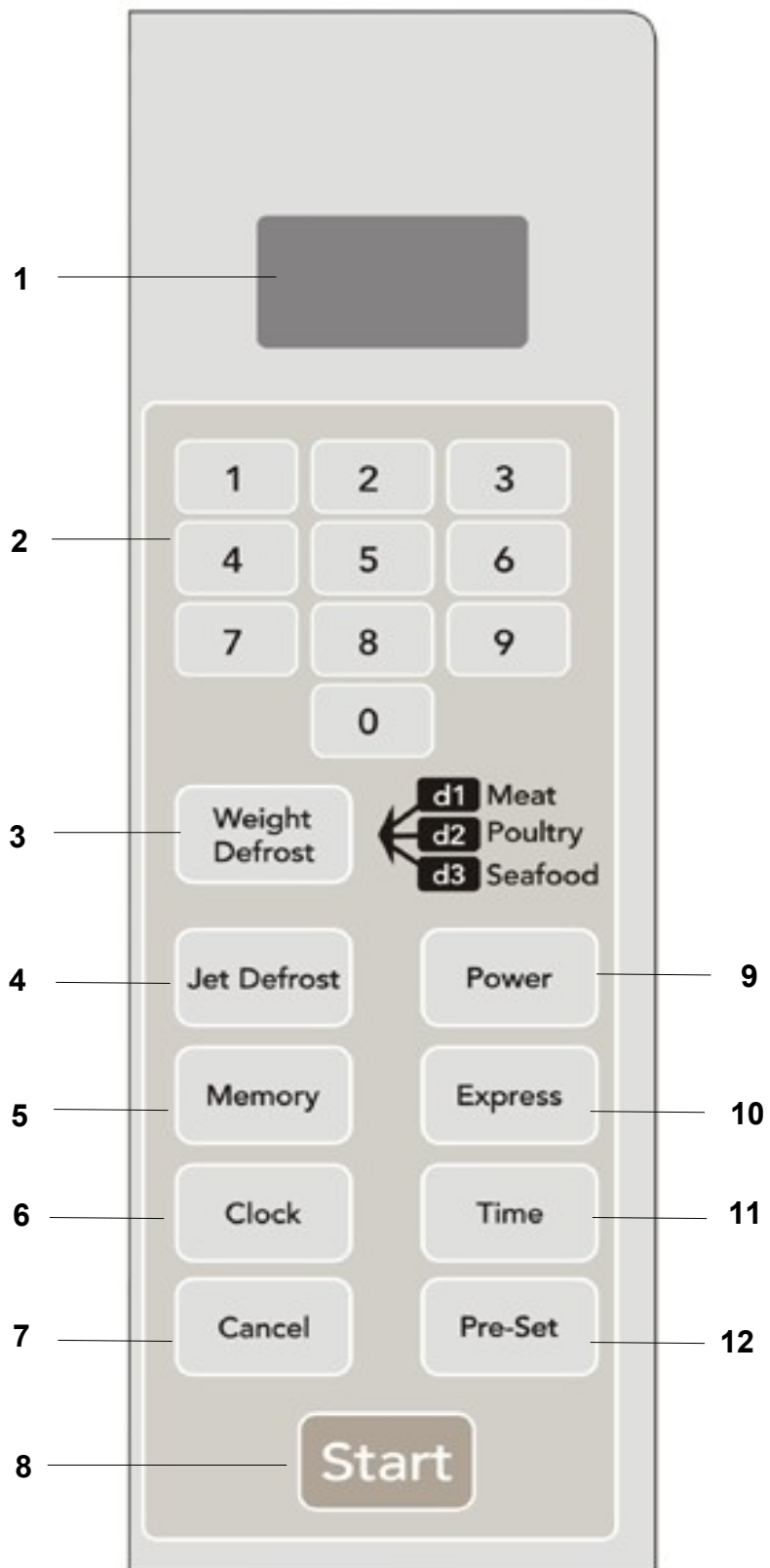


## Feature diagram



- 1 Door safety lock system
- 2 Oven window
- 3 Turntable support
- 4 Control panel
- 5 Wave guide cover (do not remove)
- 6 Glass turntable
- 7 Air vents

# Control panel



## Control panel

1	Display	Cooking time, power, indicators and time are displayed.
2	Number pads (0-9)	Touch to set times and weights
3	Weight defrost	Use to defrost frozen meat, poultry and seafood by weight. The defrosting time and power level are automatically set once the food category and the weight are programmed
4	Jet defrost	Touch to set defrosting time: the oven automatically divides the defrosting time into periods of alternating defrost and stand times by cycling on and off
5	Memory	When programming the oven to cook by time, use the 'Memory' pad when setting both the 1 <sup>st</sup> and 2 <sup>nd</sup> cooking stage. The respective lights will come on to indicate which stage the oven is operating in
6	Clock	Use to set the time of day or recall the time of day
7	Cancel	Touch to clear the selected power level, cook or defrost times previously programmed. When the clock has been set it cannot be cancelled with this pad
8	Start	Touch to start the cooking or defrosting programs. The cooking indicator light and oven light will turn on and the cooling fan will operate
9	Power	Use to set the power level. To check the power level during cooking, touch the 'Power pad'
10	Express	Use this feature to program the oven for 4 popular microwave timings at high power
11	Time	Use to set the cooking time
12	Pre-set	Use to set the oven to start-up at a later time.



## How to use your microwave oven

Each time you press a key pad, the oven will beep to acknowledge you have pressed it. To stop cooking at any time, open the door or press the 'Cancel' button. Use the numerical key pads to set the cooking time from 1 second to 99 minutes and 99 seconds. If you are setting a time greater than 1 minute, you must enter numbers for both minutes and seconds.

### Setting the clock

This is 24 hour clock. When the oven is connected to the mains socket, the display will show '1:01'.

- 1 Press the 'Clock' key pad and then the 'Cancel' key pad. The display will show ':0'.
- 2 Press the numerical key pads to enter the time. For example, to set 4.30pm, press the numerical key pads '1, 6, 3, 0'. The display will show '16:30'.
- 3 To confirm the time press the 'Clock' button again.

### Setting a cooking time and power level

This allows you to set food to cook between 10 power levels. By pressing the 'Power' key you can select 100% microwave power, the display will show P10. An alternative power level can be chosen by pressing the numerical key pads.

Number key pad	% power levels	Display
9	90%	P9
8	80%	P8
7	70%	P7
6	60%	P6
5	50%	P5
4	40%	P4
3	30%	P3
2	20%	P2
1	10%	P1

Please note: if '0' is pressed, the microwave will only count down the time. No power will be present but the fan will be heard.

### One stage cooking

- 1 To cook using this function, press the 'Time' key pad. The display will show ':0' and the symbol '1s' (first stage cooking) will light up.

- 2 Enter the length time you want to cook the food for using the numerical key pads. For example, to cook for 24 minutes, press 2400.
- 3 To set the power, press the 'Power' key pad, the display will show 'P10'. If you want to choose a different power level setting, press the 'Number' key pad you want from the chart on page 5. The power level will be displayed.
- 4 Press the 'Start' key pad to start cooking, the microwave symbol will light up. The microwave oven will now start to count down. When the cooking time has finished the display will show 'END' and beep three times.

#### Two stage cooking

This function can also be used for food that may need two power levels at different temperatures.

- 1 To cook using this function, press the 'Time' key pad. The display will show ':0' and the symbol '1s' (first stage cooking) will light up.
- 2 Enter the time you want to cook the food for using the numerical key pads. For example, to cook for 10 minutes in stage 1, press 1000.
- 3 To set the power, press the 'Power' key pad, the display will show 'P10'. If you want to choose a different power level setting, press the 'Number' key pad you want from the chart on page 5. For example, if P9 is chosen, P9 will be displayed.
- 4 Do **not** press the 'Start' key pad, instead press the 'Memory' key pad. The display will show '2s' ( 2<sup>nd</sup> stage cooking).
- 5 Press the 'Time' key pad, the display will show ':0'. Enter the time you want to cook the food for using the numerical key pads. For example, to cook for 5 minutes in stage 2, press 5000.
- 6 To set the power, press the 'Power' key pad, the display will show 'P10'. If you want to choose a different power level setting, press the 'Number' key pad you want from the chart on page 5. For example, if P5 is chosen, P5 will be displayed.
- 7 Press the 'Start' key pad, the microwave symbol will light up and the food will start to cook.

The microwave oven will now cook food for 10 minutes at 90% power (stage 1), after ten minutes the microwave oven will automatically change to stage 2 and cook the food for 5 minutes at 50% power.

You can check the power setting at any time during cooking by pressing the 'Power' key pad. The power level will show on the display.

After the time has elapsed, the microwave will automatically beep 3 times. It will continue to be three times every 2 minutes until the door is opened or the 'Cancel' key pad is pressed.

## Pre-set

You can pre-set the oven to start cooking at a later time. For example, if the current time is 2.30pm, you can set the oven to start at 4.30pm and cook for 20 minutes.

- 1 Press the 'Pre-set' key pad. The display will show ':0' and the clock symbol will light up.
- 2 Press the numerical key pads '1, 6, 3, 0'. The time will be displayed.
- 3 Press the 'Power' key pad. The display will show 'P10', clock symbol and the '1s'. If you don't want to cook food at 100% power, press the numerical key pad for the power you want (see chart on page 5).
- 4 Press the 'Time' key pad and press the numerical key pads '2000' to set the time 20 minutes.
- 5 Press the 'Start' key pad. The clock display will flash until the oven starts to operate at 4.30pm.

Two stage cooking can also be chosen in the pre-set setting. For example, if the current time is 2.30pm, you can set the oven to start at 4.30pm and cook for 20 minutes on one power level and then for 10 minutes on another power level.

- 1 Press the 'Pre-set' key pad. The display will show ':0' and the clock symbol will light up.
- 2 Press the numerical key pads '1, 6, 3, 0'. The time will be displayed.
- 3 Press the 'Power' key pad. The display will show 'P10', clock symbol and the '1s'. If you don't want to cook food at 100% power, press the numerical key pad for the power you want (see chart on page 5).
- 4 Press the 'Time' key pad and press the numerical key pads '2000' to set the time 20 minutes.
- 5 Do **not** press the 'Start' key pad, instead press the 'Memory' key pad. The display will show '2s' ( 2<sup>nd</sup> stage cooking).
- 6 Press the 'Time' key pad, the display will show ':0'. Enter the time you want to cook the food for using the numerical key pads. For example, to cook for 10 minutes in stage 2, press 1000.
- 7 To set the power, press the 'Power' key pad, the display will show 'P10'. If you want to choose a different power level setting, press the 'Number' key pad you want from the chart on page 5. For example, if P5 is chosen, P5 will be displayed.
- 8 Press the 'Start' key pad. The clock display will flash until the oven starts to operate at 4.30pm.

## Express

This function has 4 settings for fast heating at 100% high power.

For example, if you want to heat food for 15 seconds, press the 'Express' key pad once and then press the 'Start' key pad.

If you want to heat food for 30 seconds, press the 'Express' key pad twice and then press the 'Start' key pad.

If you want to heat food for 1 minute, press the 'Express' key pad three times and then press the 'Start' key pad.

If you want to heat food for 2 minutes, press the 'Express' key pad four times and then press the 'Start' key pad.

## Jet defrost

This function allows you to defrost food by time.

- 1 Press the 'Jet defrost' key pad. The display will show ':0' and the jet defrosting symbol will light up.
- 2 Press the numerical key pads to enter the time you want the food to defrost for. For example, if you want to defrost the food for 25 minutes, press '2500'.
- 3 Press the 'start' key pad. The time, jet defrost and microwave symbol will be displayed and the timer will start to count down and the food will start to defrost.
- 4 When defrosting has finished, the oven will beep 3 times and continue to beep every 2 minutes until the door is opened or the 'Cancel' key pad is pressed.

## Weight defrost

You can also defrost food according to the weight. There are 3 settings in this function, meat, poultry and seafood. For example, to defrost 600g of prawns.

- 1 Press the 'Weight defrost' key pad 3 times, the display will show the weight defrost symbol and 'd3'.
- 2 Press the numerical key pads 600 to enter 600g, this will be displayed.
- 3 Press the 'Start' key pad. The time, weight defrost and microwave symbol will be displayed and the timer will start to count down and defrost the food.

Below are the maximum weights allowed for each category

	Maximum weight	Display
Meat	2300g	d1
Poultry	4000g	d2
Seafood	900g	d3

For foods exceeding the maximum weights, please use the jet defrost function.

### **Program cooking**

You can program the oven to defrost food using either the jet defrost or weight defrost and then cook the food. To defrost for 25 minutes and cook for 10 minutes.

#### Using the Jet defrost function

- 1 Press the 'Jet defrost' key pad. The display will show ':0' and the jet defrosting symbol will light up.
- 2 Press the numerical key pads to enter the time you want the food to defrost for. For example, if you want to defrost the food for 25 minutes, press '2500'.
- 3 Do **not** press the 'Start' key pad, instead press the 'Memory' key pad. The display will show '1s' ( 1<sup>nd</sup> stage cooking).
- 4 Press the 'Time' key pad, the display will show ':0'. Enter the time you want to cook the food for using the numerical key pads. For example, to cook for 10 minutes, press 1000.
- 5 To set the power, press the 'Power' key pad, the display will show 'P10'. If you want to choose a different power level setting, press the 'Number' key pad you want from the chart on page 5. For example, if P5 is chosen, P5 will be displayed.
- 6 Press the 'Start' key pad.

The food will now defrost for 25 minutes and then cook for 10 minutes, when the program has finished the oven will beep three times and continue to beep every 2 minutes until the door is opened or the 'Cancel' key pad is pressed.

#### Using the Weight defrost function

To defrost for 25 minutes and cook for 10 minutes.

- 1 Press the 'Weight defrost' key pad 3 times, the display will show the weight defrost symbol and 'd3'.
- 2 Press the numerical key pads 600 to enter 600g, this will be displayed.
- 3 Do **not** press the 'Start' key pad, instead press the 'Memory' key pad. The display will show '1s' ( 1<sup>nd</sup> stage cooking).
- 4 Press the 'Time' key pad, the display will show ':0'. Enter the time you want to cook the food for using the numerical key pads. For example, to cook for 10 minutes, press 1000.
- 5 To set the power, press the 'Power' key pad, the display will show 'P10'. If you want to choose a different power level setting, press the 'Number' key pad you want from the chart on page 5. For example, if P5 is chosen, P5 will be displayed.

6 Press the 'Start' key pad.

The food will now defrost for 25 minutes and then cook for 10 minutes, when the program has finished the oven will beep three times and continue to beep every 2 minutes until the door is opened or the 'Cancel' key pad is pressed.

Note: Jet defrost and Weight defrost can only be chosen before a cooking program. It cannot be selected in between or after stage 1 or stage 2.

### **Child safety lock**

To prevent children using the microwave oven, the safety lock can be set.

- 1 To set the child lock, Press and hold the 'Cancel' key pad for 3 seconds. This lock symbol will be displayed and the oven will beep.
- 2 To cancel the child lock, press the 'Cancel' key pad for 3 seconds until the lock symbol disappears.

Warning: do not use the microwave when it is empty.

## Care and maintenance

- Before you clean the oven, turn it off and unplug it.
- Keep the inside of the oven clean. When food or liquids stick to the oven walls, wipe with a damp cloth. We recommend that you do not use harsh detergent or abrasives.
- On the right hand side wall of the cavity is the wave guide cover, microwaves are passed through this to enable your food to cook. It is important that this wave guide cover is kept clean at all times. To do this wipe with mild detergent and water, then dry.
- You should clean the outside of the oven with a damp cloth. Don't allow water to seep into the ventilation openings.
- Do not allow the control panel to become wet. Clean with a soft, damp cloth. Do not use detergents, abrasives or spray-on cleaners on the control panel.
- If steam builds up inside or around the outside of the oven door, wipe with a soft cloth. This may happen when the microwave oven is used in humid conditions.
- Regularly remove the glass turntable to clean it, and wash it in warm soapy water.
- Regularly clean the turntable support and oven floor. Simply wipe the bottom surface of the oven with mild detergent and water, then dry. You can wash the turntable support in mild soapy water.
- When removing the turntable support of the oven, make sure you put it back properly.
- If the inside of the oven smells, put a cup of water with the juice and skin of one lemon in a deep microwave bowl. Microwave it for three minutes, wipe thoroughly and then dry with a soft cloth.
- Failure to maintain the oven in a clean condition, especially if liquid is left under the turntable, could lead to deterioration of the surface that could adversely affect the life of the appliance and possibly result in a hazardous condition.

## Problem solving

The microwave oven may cause interference to your radio, TV or similar equipment. If it does, you can get rid of the interference by moving the radio, TV or equipment as far away from your microwave oven as possible.

If the oven doesn't work, if the display does not appear or if the display has disappeared

- Make sure the oven is plugged in securely. If it is not, remove the plug from the socket, wait 10 seconds and plug it in again securely.
- Check the premises for a blown circuit fuse or a tripped main circuit breaker. If these seem to be working properly, test the socket with another appliance.

If the microwave power will not work

- Check to see whether the timer is set.
- Make sure the door is securely closed. Otherwise, the microwave energy will not flow into the oven.

## Important utensil information

Do not use metal pans or dishes with metal handles.

- Do not use anything with a metal trim.
- Do not use paper covered wire twist-ties on plastic bags.
- Do not use melamine dishes as they contain a material which will absorb microwave energy. This may cause the dishes to crack or burn, and will slow down the cooking speed.
- Use only cookware that is approved to be used in a microwave oven.
- Do not cook using a container with a restricted opening, such as bottles, as they may explode.
- Do not heat baby bottles with the teat left on and remove if replacing the bottle back into the oven.
- Only use thermometers that are approved for microwave ovens.
- Do not use the microwave oven for heating utensils.



## Connection to the mains supply

### WARNING- THIS APPLIANCE MUST BE EARTHED

This appliance is designed to operate from a mains supply of AC230V ~ 50HZ. Check that the voltage marked on the product corresponds with your supply voltage.

This product is fitted with a 13A plug complying with BS1363. If this plug is unsuitable or needs to be replaced, please note the following: Important: The wires in the mains lead are Coloured in accordance with the following code:

GREEN/YELLOW-EARTH

BLUE-NEUTRAL

BROWN-LIVE

For UK use only – Plug fitting details (where applicable):

As the colours of the wires in the mains lead of this appliance may not correspond with the coloured markings identifying the terminals in your plug, proceed as follows:

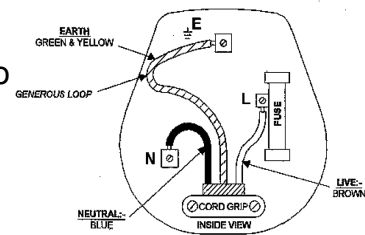
The GREEN/YELLOW wire is the EARTH and must be connected to the terminal which is marked with the letter E or by the earth symbol  $\oplus$  or coloured GREEN or GREEN/YELLOW.

The BLUE wire is the NEUTRAL and must be connected to the terminal marked with the letter N or coloured BLACK.

The BROWN wire is the LIVE wire and must be connected to the terminal marked with the letter L or coloured RED.

Always ensure that the plug cord grip is fastened correctly.

If a 13A (BS1363) fused plug is used it must be fitted with a 13amp fuse conforming to BS1362 and be BSI or ASTA approved.



## Non-rewireable mains plug

If your appliance is supplied with a non-rewireable plug fitted to the mains lead you will find that it incorporates a fuse, the value of which is indicated either on the base of the plug or on the fuse carrier. Should the fuse need replacing, you must use an ASTA approved fuse (conforming to BS1362) of the same rating. If the fuse cover is lost the plug must not be used until a replacement is obtained from an electrical supplier. If you need to remove the plug, cut it from the mains lead and dispose of it. Never attempt to re-use this plug or insert it into a socket outlet, as there is a very great risk of an electric shock.

### SPECIFICATIONS:

Rated voltage:	230V~50Hz,
Operating frequency:	2,450MHz
Power output:	700W
Outside Dimensions:	262mm(H) x 452mm(W) x 360mm(D)
Oven capacity dimensions	210mm(H) x 315mm(W) x 279MM9D)
Oven Capacity:	17 Litres
Weight:Approx.	10.5kg

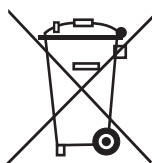
## **Important:**

**For expert product advice,  
please phone the  
Russell Hobbs  
helpline on**

**0844 8793277**

**Monday-Thursday: 9am until 5pm**

**Friday: 9am until 4pm**



Revision 2

This symbol is known as the 'Crossed-out Wheelie Bin Symbol'. When this symbol is marked on a product, it means that the product should not be disposed of with your general household waste. Only discard electrical/electronic items in separate collection schemes, which cater for the recovery and recycling of materials contained within. Your co-operation is vital to ensure the success of these schemes and for the protection of the environment.

We reserve the right due to possible changes to design to alter the instruction manual without prior notice.

## Free Manuals Download Website

<http://myh66.com>

<http://usermanuals.us>

<http://www.somanuals.com>

<http://www.4manuals.cc>

<http://www.manual-lib.com>

<http://www.404manual.com>

<http://www.luxmanual.com>

<http://aubethermostatmanual.com>

Golf course search by state

<http://golfingnear.com>

Email search by domain

<http://emailbydomain.com>

Auto manuals search

<http://auto.somanuals.com>

TV manuals search

<http://tv.somanuals.com>