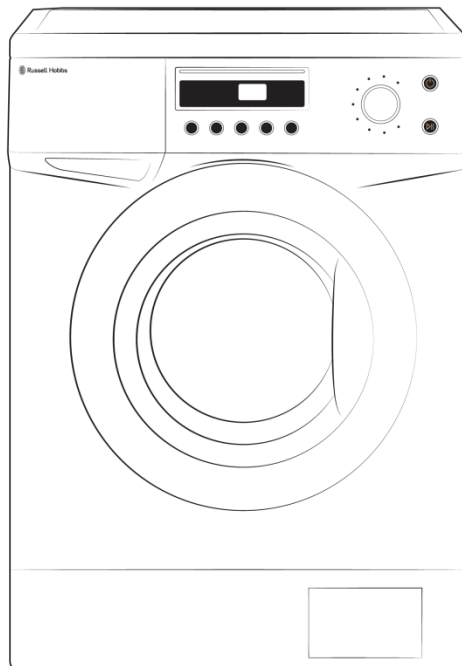




Russell Hobbs

White 8KG 1400 Spin Speed Inverter Direct Drive Washing Machine Instruction Manual



Model number: RHWM81400DIDW

For Customer Services & Spare Parts please call **0845 208 8750**
Opening times: Monday - Friday 8am – 6pm & Saturday 9am – 1pm or visit
us at **www.productcareuk.com**

Contents

Safety Instructions	3 - 4
Before using the appliance	5
Installation	6 - 10
How to use	11 - 12
Control panel functions	13
Washing procedure & programme selection	14 - 23
Maintenance	24 - 26
Removing stains	27
Trouble shooting	28
Specification	29
Connections to mains supply	30
Spare parts	31

For Customer Services & Spare Parts please call **0845 208 8750**
Opening times: Monday - Friday 8am – 6pm & Saturday 9am – 1pm or visit us at
www.productcareuk.com

Safety Instructions

- Do not use an extension lead for this appliance. Only plug directly into a wall socket.
- Do not plug into damaged plug sockets
- In case the power cable becomes damaged, contact **0845 208 8750** for advice.
- Never pull the cable when unplugging – always grip the plug itself.
- Do not plug-in or pull-out the plug from the receptacle with wet hands to prevent electric shock.
- Never touch the machine with wet hands or feet.
- Never open the detergent drawer when the appliance is running.
- Never force the door to open when the washing machine is running.
- Do not touch drainage hose and water during drainage as the appliance may reach high temperatures when running.
- In case of any breakdown, unplug the appliance first and then turn the tap off. Do not attempt to repair by yourself, always contact **0845 208 8750** for advice.
- Remember that packaging materials of your machine may be dangerous for children. Keep the packaging materials in a place where children cannot reach or dispose of them appropriately.
- Do not allow your children to play with the washing machine as it is an electrically-driven appliance.
- Keep your pets away from your machine.
- Your machine should only be used by adults in line with the information provided in this user's manual.
- Your machine is designed to be used domestically. Commercial use will cause your warranty to be cancelled.
- Anyone's intervention to your machine except for a qualified engineer, in anyway will cause your warranty to be invalid.
- Ideal operating temperature of your machine is 15-25°C.
- Do not place your machine on carpet as this will block ventilation of the base.

For Customer Services & Spare Parts please call **0845 208 8750**
Opening times: Monday - Friday 8am – 6pm & Saturday 9am – 1pm or visit us at
www.productcareuk.com

Safety Instructions

- Do not keep inflammable liquids near your machine.
- You should remove the transport bolts of your machine before the first usage. Faults occurring in machines operated with transport bolts fitted are not covered by the warranty Do not put the drainage hose of your machine in a bucket or sink.
- Your machine is not covered under warranty for faults caused by any kind of external factors (pesticides, fire, etc.).
- The appliance is not intended for use by people (including children) with reduced physical, sensory or mental capabilities, or lack of experience and knowledge unless they have been given supervision or instruction concerning use of the appliance by a person responsible for their safety. Children should be supervised to ensure that they do not play with the appliance

Recommendations

- **Ensure you run the machine empty on a full cycle at 95°C with detergent before using the machine properly for the first time.**
- Put detergent into the drawer at the beginning of each wash.
- It is recommended that you wash only extremely dirty laundry in prewashing programme.
- The amount of laundry you put in your washing machine should not exceed 8kg.
- If your machine is not going to be used for a long time you should unplug the appliance, turn off the water inlet and leave the door slightly open. This is so that the inside of your machine will remain dry and will not cause an unpleasant smell of damp.




Important note:

Please read this booklet before installing and switching on this appliance. The manufacturer assumes no responsibility for incorrect installation and usage as described in this booklet.

For Customer Services & Spare Parts please call **0845 208 8750**
Opening times: Monday - Friday 8am – 6pm & Saturday 9am – 1pm or visit us at
www.productcareuk.com

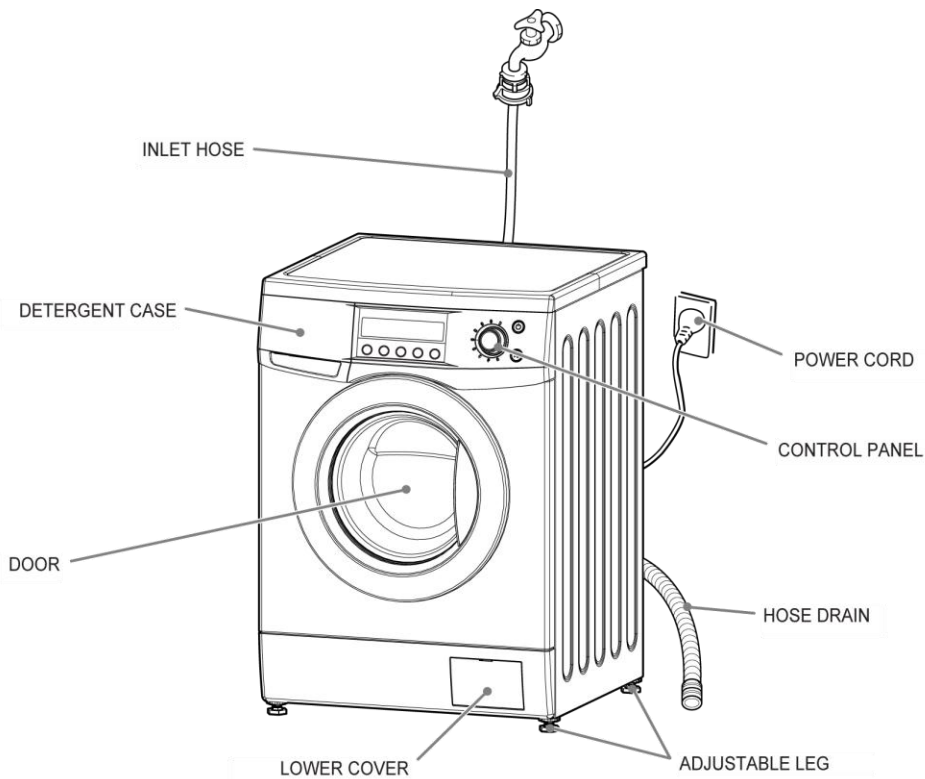
Before using the appliance

- **Transportation screws which are located at the back of the machine, must be removed before using or running the machine. You will void the manufacturer's guarantee if these are not removed before using or running the machine**
- **Before installation, check that all parts listed below are present. If any parts are missing, please contact the product care service team on 0845 208 8750.**

Inlet hose	Manual	Cap holder(3EA)
		

Note

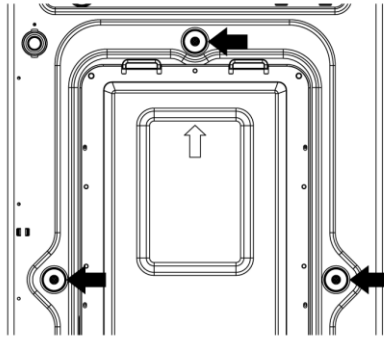
The drawings in the book may vary from your washer model. They are designed to show the different features of all models covered by this book. Your model may not include all features.



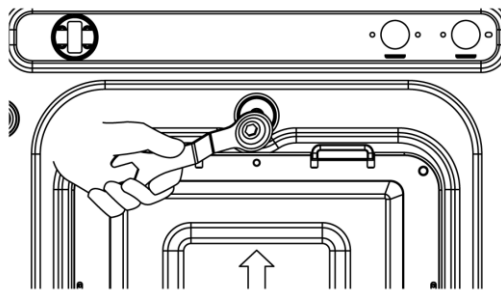
For Customer Services & Spare Parts please call **0845 208 8750**
Opening times: Monday - Friday 8am – 6pm & Saturday 9am – 1pm or visit us at
www.productcareuk.com

Installation

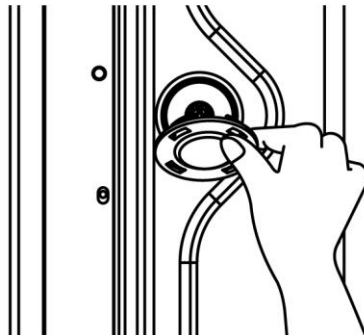
1. Before operating the washing machine, remove the 3 transportation screws and rubber spacers. If the screws are not removed, it may cause heavy vibration, noise and product malfunction, (voiding the guarantee).



2. Unscrew the 3 screws with a 10mm hex wrench, spanner or cross-tip screwdriver. Keep the 3 screws as they will need to be re-used if the machine has to be transported.



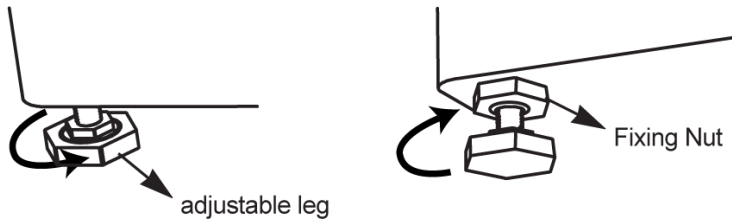
3. Close the holes with the cap holders supplied



For Customer Services & Spare Parts please call **0845 208 8750**
Opening times: Monday - Friday 8am – 6pm & Saturday 9am – 1pm or visit us at
www.productcareuk.com

Installation

4. Adjust the level of washing machine by the adjustable feet. Please check if there is a gap between the four adjustable feet and the floor. If there is then adjust the level of the washing machine by turning the adjustable feet. Make sure that the machine does not sway and that it is completely level. After the adjustment is finished, turn the fixing nuts up tightly, so that the adjustment that has been made is fixed.

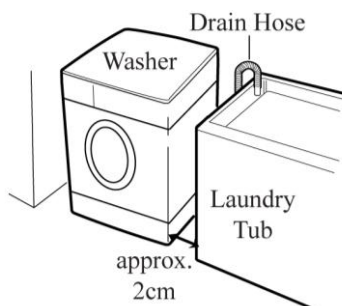


NOTE

There should be no swaying of machine and all the adjustable feet should sit/touch the floor.

Location of the Washing Machine

- Check location where the washer will be installed. Make sure you have everything necessary for correct installation.
- Do not place or store your washer below 0°C (32°F) to avoid any damage from freezing.
- Do not place or store laundry products on top of washer at any times.
- Install the washer on the horizontal solid floor. If the washer is installed on an unsuitable floor, it could make considerable noise, vibrate severely and cause a malfunction. If the washer is not level, adjust leg up or down for horizontal installation.
- Ventilation openings must not be obstructed by carpeting when the washer is installed on a carpeted floor.
- Leave some space (right & left : 2cm, rear : 10cm).
- In case of built-in installation, the distance between top of the washer and bottom of upper plate should be at least 3mm.



For Customer Services & Spare Parts please call **0845 208 8750**
Opening times: Monday - Friday 8am – 6pm & Saturday 9am – 1pm or visit us at
www.productcareuk.com

Installation

Electrical connection

- Your washing machine is set to 220-240V and 50Hz.
- The mains cord of your washing machine is equipped with a specific earthed plug. This plug should always be inserted to a earthed socket of 13 amps. The current value of the fuse should be 10 amps.
- **We do not take responsibility for any damage that occurs due to non earthed usage.**
- Operating your machine under low voltage will cause the life cycle of your machine to be reduced and its performance to be restricted.

Water

The washer should be connected to the water mains using new hose sets. Old hose sets should not be reused. In using only one water tap or in case of only one water inlet valve, connect the inlet hose to the cold water inlet valve.

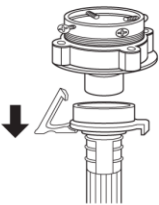
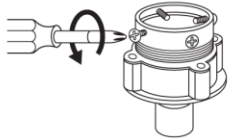
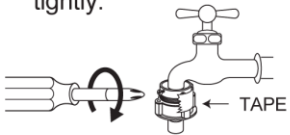
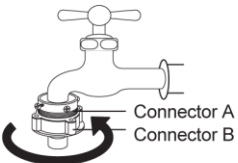
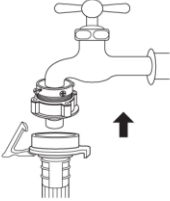

Water inlet hose connection

- **Be careful not to confuse hot water inlet and cold water inlet.**
- Your machine has a single water (cold) inlet.
- To prevent leakages on the connection joints, 1 seal is included in the hose packing, (Fit this seal on the end of the water inlet hose at the tap side.)
- After all connections are completed, check for leakages around the connection joints by turning on your tap completely and seeing if any water escapes.
- Be sure that the water inlet hoses are not folded, twisted, crushed or elongated by stretching.

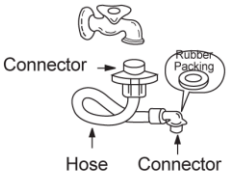
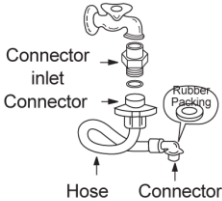

For Customer Services & Spare Parts please call **0845 208 8750**
Opening times: Monday - Friday 8am – 6pm & Saturday 9am – 1pm or visit us at
www.productcareuk.com

Installation

Ordinary tap

<p>① Pull down the collar of the inlet hose to separate it from the water tap adapter.</p> 	<p>② Loosen the four screws in the water tap.</p> 	<p>③ Fit the water tap adapter into the water tap and tighten the four screws evenly while pushing up the adapter so that the rubber packing can attach to the water tap tightly.</p> 
<p>④ Remove the tape, and screw connector B into connector A tightly.</p> 	<p>⑤ Connect the inlet hose to the water tap adapter by pulling down the collar of the hose end.</p> 	<p>⑥ Connect the inlet hose adapter of the hose to the water inlet of the washing machine by turning it clockwise to be fixed tightly.</p>  <p>• Please check the rubber packing inside the inlet hose adapter of the hose.</p>

Screw-shaped tap

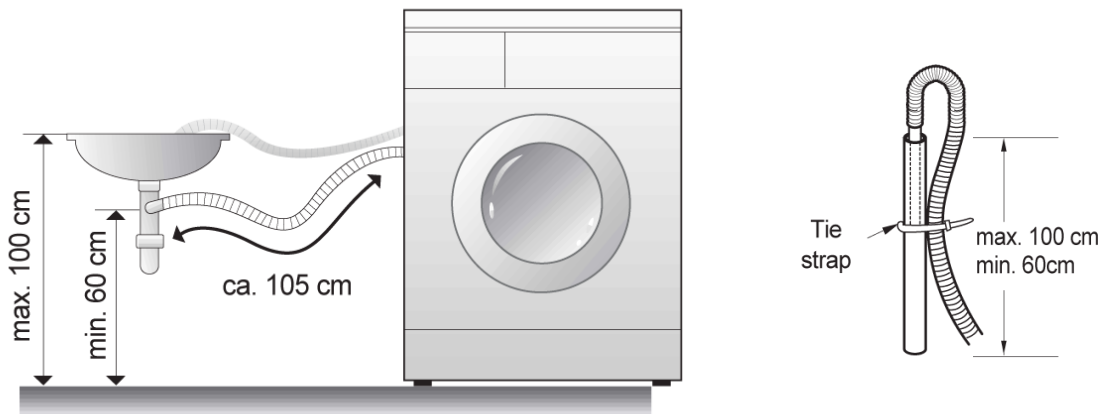
<p>① Connect the inlet hose to the water tap by screwing the connector tightly.</p> 	<p>② Connect the connector-inlet supplied if necessary.</p> 	<p>③ Insert the inlet hose adapter into the water inlet of a washing machine and turn it to be fixed.</p>  <p>* Check the packing in the inlet</p>
---	---	--

For Customer Services & Spare Parts please call **0845 208 8750**
 Opening times: Monday - Friday 8am – 6pm & Saturday 9am – 1pm or visit us at
www.productcareuk.com

Installation

Water drainage

- Never forget to install drain hose before operating your washer.
- The water drain hose should be mounted at a height of minimum 60 cm, maximum 100 cm from the ground.
- The end of the water drain hose can be fitted directly to the drainage hole on the back side of the washer.
- When installing the drain hose pipe, secure it tightly with a string.
- Never attempt to extend the water drain hose by adding extra parts.
- If the drain hose is too long, do not force it back into the washer. This will cause abnormal noise and damage to the product.



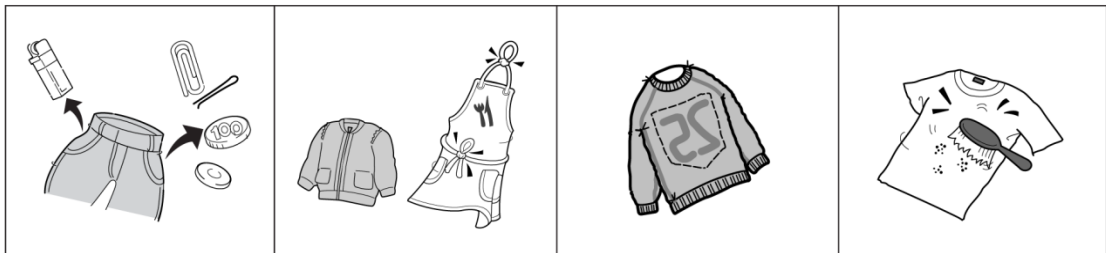
For Customer Services & Spare Parts please call **0845 208 8750**
Opening times: Monday - Friday 8am – 6pm & Saturday 9am – 1pm or visit
us at **www.productcareuk.com**

How to use

To obtain the best washing results, you must operate your washer properly. This section gives you this important information.

Preparing clothes for washing

- Close zippers, snaps, and hooks to avoid snagging other items.
- Remove pin, buckles, and other hard objects to avoid scratching the washer interior.
- Empty pockets and pull them inside out.
- Turn down cuffs and turn synthetic knits inside out to avoid pilling.
- Tie strings and sashes to avoid tangling.
- Treat spots and stains. (See 'Removing stains' on page xx)



Sorting clothes for washing

- Separate heavily soiled items from lightly soiled ones, even if they would normally be washed together.
- Separate dark colours from light colours, colourfast items from non-colourfast item
- Wash lint producers and lint collectors separately.

Loading clothes for washing

- Drop items into washer loosely. Items should move easily through wash water for best cleaning and wrinkle-free results.
- Load washer properly and select correct load size setting.
- Overloading and selecting a setting too small for the wash load can :
 - Cause poor cleaning
 - Increase wrinkling
 - Create excessive lint
 - Wear out items faster (because of pilling)

Mix large and small items in each load. Load evenly to maintain washer balance. An unbalanced load can make the washer vibrate during spin.

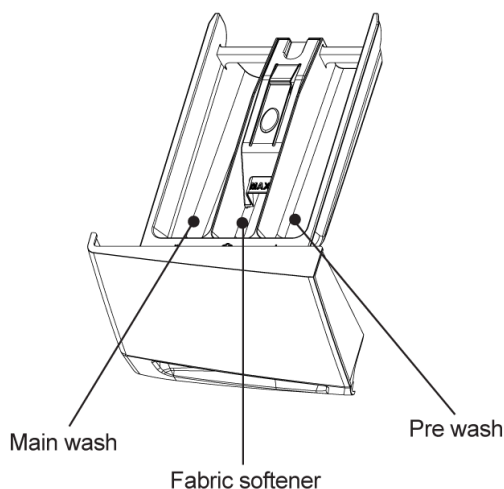
For Customer Services & Spare Parts please call **0845 208 8750**
Opening times: Monday - Friday 8am – 6pm & Saturday 9am – 1pm or visit
us at **www.productcareuk.com**

How to use

- Reduce wash time when using a small load size setting. A load with only a few small items needs less wash time.
- Use a large load size setting to reduce wrinkling with permanent press clothes and some synthetic knits. These items should have more room to move in the water than heavy items. (towels, jeans).

Adding detergent

- Please use only the powder detergent for the front loader washing machine.
- Please use the proper amount of detergent in conformity with the instruction of the detergent manufacturer.
- Using a large amount of detergent, more than the recommended amount, can cause lots of soapsuds and will overload to the motor. In addition, this will deteriorate the washing and rinse performance.

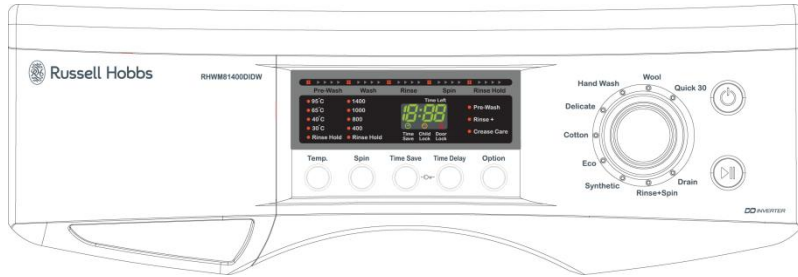




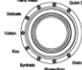







Adding fabric softener

- If desired, add measured liquid fabric softener to the softener inlet.
- Pour liquid fabric softener into the dispenser using the amount recommended on the package.
- Do not exceed the maximum fill line.
- Overfilling can cause early dispensing of the fabric softener which could stain clothes.
- Do not open the detergent case when water is supplied.
- Avoid pouring fabric softener directly on the clothes.

For Customer Services & Spare Parts please call **0845 208 8750**
Opening times: Monday - Friday 8am – 6pm & Saturday 9am – 1pm or visit
us at **www.productcareuk.com**

Control panel functions



 <p>Power</p>	<p>Press this switch to turn the power on or off.</p>
 <p>Start/Hold</p>	<p>Operation and temporary stop is repeated as it is pressed. When you want to change program in operating; press the "Start/Hold" button → Select the program that you want to change → press the "Start/Hold" button again.</p>
	<p>You can select the course you want, and each lamp is turned on when that course is selected. For the more detailed information, please refer to the page 11~18.</p>
 <p>Temp</p>	<p>It can be used to adjust temperature of water according to types of the load to be washed. As the button is pressed, temperature of water is selected by Cold → 30°C → 40°C → 60°C → 95°C</p>
 <p>Spin</p>	<p>By pressing the spin button, the spin speed can be chosen.</p> <p>Rinse Hold</p> <ul style="list-style-type: none"> • Is selected by pressing the spin button repeatedly. This function leaves clothes in the machine; suspended in the water after a rinse without entering into spin. • To proceed through to a drain or spin, after the Rinse Hold function is completed, use spin button. <p>Spin only</p> <ul style="list-style-type: none"> • If you want only spin, you can operate spin only. (See page 18.)
 <p>Option</p>	<p>Crease Care</p> <ul style="list-style-type: none"> • If you want to prevent crease, select this button with spin speed. <p>Rinse+</p> <ul style="list-style-type: none"> • Is used to add a rinse, which may assist in removing traces of detergent residue. • By selecting Rinse+ function, the rinse time and the rinse water are increased. <p>Pre-Wash</p> <ul style="list-style-type: none"> • The washer operates one additional wash and spin before the main wash. • If the laundry is heavily soiled, Pre-Wash course is effective. • Pre-Wash is available in Cotton and Synthetic programs.
 <p>Time Save</p>	<p>All courses have pre-set washing times, but Time Save decreases it to 10 minutes. Each time this button is pressed the watch icon is repeated on and off. When it is on, the Time Save function is set. Time Save is available in Cotton, Eco and Synthetic programs.</p>
 <p>Time Delay</p>	<p>It can be used to pre-engage time for wash.</p>
 <p>Time Save Time Delay</p>	<p>Use this function when you want to protect any accident occurring from handling of washer by a child. During an operation of washer, press 'Time Save' and 'Time Delay' buttons simultaneously. In Child Lock mode, no button functions except Power button. In Child Lock mode, press 'Time Save' and 'Time Delay' buttons simultaneously like setting Child Lock and Child Lock is cancelled.</p> <p>To change to the desirable program, while in Child Lock mode;</p> <ol style="list-style-type: none"> 1. Press both the Time save and Time delay buttons together once again. 2. Press the Start/Hold button. 3. Select the desired program and press the Start/Hold button again.  <p>* The child lock can be set at any time and it is automatically cancelled when operational errors occur. Also Child Lock works also when power is off.</p>

Washing procedure & programme selection

1. Cotton is automatically selected upon power on

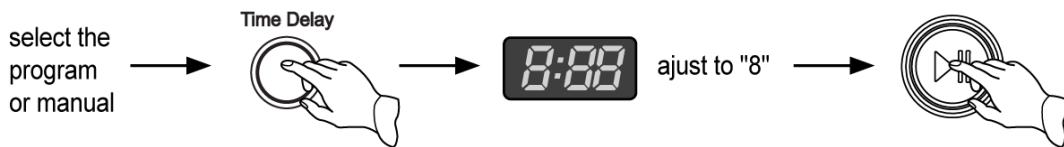
- Press the Power button to start.
- Press the Start/Pause button.
- Initial condition;
 - Programme : Cotton
 - Wash : main wash
 - Rinse : 3 times
 - Spin : 800 rpm
 - Water temperature : 40°C

2. Manual selecting

- Press the Power button to start.
- Select the conditions which you want to use by turning the program dial and pressing each button.
- Press the Start/Pause button.

3. Time delay washing (time delay can be made from 2 hours to 12 hours)

- Press the Time delay button until the display shows 8 hours.
- Press the Start/Pause button.



- Each pressing of the Time delay button advances time delay by one hour.
- Stop pressing the Time delay button once the correct time is displayed.
- If you want to check the selected program, press the 'Start/Pause' button again.
- Preparing washing before starting 'Time Delay' ;
 - Turn on the water tap
 - Load laundry and close the door
 - Place the detergent and fabric softener in the detergent case.
- To cancel the Time delay, press the Power button.

For Customer Services & Spare Parts please call **0845 208 8750**
Opening times: Monday - Friday 8am – 6pm & Saturday 9am – 1pm or visit
us at **www.productcareuk.com**

Washing procedure & programme selection

4. FUNCTION

- Recommended programs according to the laundry type

Program	Fabric Type	Proper Temp.	Option	Maximum Load
Cotton	First check if laundry is machine washable.(white cotton, linen towel and sheets..)	60°C (95°C)	Pre Wash Rinse+ Crease Care	Rating
	Colorfast garments (shirts, night dresses, pajamas..) and lightly soiled white cottons (underwear..)	40°C (Cold, 30°C, 60°C)	Pre Wash Rinse+ Crease Care	Rating
Eco	Laundry type is the same as Cotton.	60°C	Rinse+ Crease Care	Rating
Synthetic	Polyamide, Acrylic, Polyester	40°C (Cold, 30°C, 60°C)	Pre Wash Rinse+ Crease Care	Less than 2.0kg
Delicate	Delicate laundry easily damaged (silk, curtains..)	Cold (30°C, 40°C)	Rinse+ Crease Care	Less than 2.0kg
Wool	Machine washable woolens with pure new wool only.	Cold (30°C, 40°C)	Rinse+ Crease Care	Less than 2.0kg
Hand Wash	'Hand wash' marked delicate and wool laundry	Cold (30°C)	Rinse+ Crease Care	Less than 2.0kg
Quick 30	Colored laundry which is lightly soiled fast.	30°C (Cold, 40°C)	Rinse+ Crease Care	Less than 2.0kg

- Pre Wash** : If the laundry is heavily soiled, "Pre Wash" program is recommended. Pre Wash is available in Cotton and Synthetic programs.
- Rinse+** : Used to introduce an additional rinse, which may assist in removing traces of detergent residue.
- Eco**: By selecting Eco function, the water temperature is lowered and washing time is increased. So you can economize your consumption of heating energy.
- Quick** : "THE QUICK CYCLE" option has a very short cycle time. Recommended uses include a small amount of the laundry, a relatively clean load of laundry, or frequently used clothes.

Washing procedure & programme selection

Cotton program

1	<p>Put the laundry in the drum. Put detergent and softener into the detergent case. Then close the door.</p> <ul style="list-style-type: none">• Put detergent into the main wash and prewash compartments in the detergent case. Softener should be below the 'MAX' level.• Put detergent into the pre wash compartment only if you want to add prewash.• When you want to use bleach, put it into the main wash compartment with detergent.
2	<p>Press the Power button.</p> <ul style="list-style-type: none">• The LED shows only '---' and all Program Lights turn on.
3	<p>Select the 'Cotton' program using program selection dial.</p> <ul style="list-style-type: none">• If you press Start/Pause button after power button without selecting program, the 'Cotton' program is selected as default program.• Washing temperature '40' °C, spin '800' rpm and rinse '3' times are selected automatically.• If you want to change washing temperature, the spin velocity or add wash options (Prewash, Rinse+, Crease Care), press each button.
4	<p>Press Start/Pause button.</p> <ul style="list-style-type: none">• The Door is locked. By sensing the weight of laundry and supplying wash water, The appliance starts washing.

Note

- If you want to change the setting during operation, press the Start/Pause button to hold the operation and press the button you want.
- 'Cold', '30' °C, '40' °C, '60' °C and '95' °C washing temperatures are selectable with the Cotton program.
- 'Prewash', 'Rinse+', and 'Crease Care' wash options are selectable with the Cotton program.

Caution

- If you select washing temperature '95' °C, some cold water is supplied before the drain of main wash. This is to protect the user from the hazard of burn injury by lowering the temperature of hot wash water instead of directly draining it. Therefore this is not a malfunction.
- Be careful with the draining water, since it can be still hot although the temperature is lowered.

For Customer Services & Spare Parts please call **0845 208 8750**

Opening times: Monday - Friday 8am – 6pm & Saturday 9am – 1pm or visit us at

www.productcareuk.com

Washing procedure & programme selection

Eco program

1	<p>Put the laundry in the drum. Put detergent and softener into the detergent case. Then close the door.</p> <ul style="list-style-type: none">• Put detergent into the main wash and prewash compartments in the detergent case. Softener should be below the 'MAX' level.• Put detergent into the pre wash compartment only if you want to add prewash.• When you want to use bleach, put it into the main wash compartment with detergent.
2	<p>Press the Power button.</p> <ul style="list-style-type: none">• The LED shows only '---' and all Program Lights turn on.
3	<p>Select the 'Eco' program using program selection dial.</p> <ul style="list-style-type: none">• Washing temperature '60' °C, spin '800' rpm and rinse '3' times are selected automatically.• If you want to change the spin velocity or add wash options (Rinse+, Crease Care), press each button.
4	<p>Press Start/Pause button.</p> <ul style="list-style-type: none">• The Door is locked. By sensing the weight of laundry and supplying wash water, The appliance starts washing.

Note

- If you want to change the setting during operation, press the Start/Pause button to hold the operation and press the button you want.
- Only '60' °C washing temperature is selectable with the Eco program.
- 'Rinse+' and 'Crease Care' are the only wash options that are selectable with the Eco program.

For Customer Services & Spare Parts please call **0845 208 8750**
Opening times: Monday - Friday 8am – 6pm & Saturday 9am – 1pm or visit us at
www.productcareuk.com

Washing procedure & programme selection

Synthetic program

1	<p>Put the laundry in the drum. Put detergent and softener into the detergent case. Then close the door.</p> <ul style="list-style-type: none">• Put detergent into the main wash and prewash compartments in the detergent case. Softener should be below the 'MAX' level.• Put detergent into the pre wash compartment only if you want to add prewash.• When you want to use bleach, put it into the main wash compartment with detergent.
2	<p>Press the Power button.</p> <ul style="list-style-type: none">• The LED shows only '---' and all Program Lights turn on.
3	<p>Select the 'Synthetic' program using program selection dial.</p> <ul style="list-style-type: none">• Washing temperature '40' °C, spin '800' rpm and rinse '3' times are selected automatically.• If you want to change washing temperature, the spin velocity or add wash options (Prewash, Rinse+, Crease Care), press each button.
4	<p>Press Start/Pause button.</p> <ul style="list-style-type: none">• The Door is locked. By sensing the weight of laundry and supplying wash water, The appliance starts washing.

Note

- If you want to change the setting during operation, press the Start/Pause button to hold the operation and press the button you want.
- Only 'Cold', '30'°C, '40'°C and '60' °C washing temperatures are selectable with the Synthetic program.
- A spin speed of more than 1200rpm is not selectable with the Synthetic program in order to protect damage to the laundry.
- 'Prewash', 'Rinse+', and 'Crease Care' wash options are selectable with the Synthetic program.
- The appropriate amount of laundry for the Synthetic program is below 2.0kg.

For Customer Services & Spare Parts please call **0845 208 8750**
Opening times: Monday - Friday 8am – 6pm & Saturday 9am – 1pm or visit us at
www.productcareuk.com

Washing procedure & programme selection

Delicate program

1	<p>Put the laundry in the drum. Put detergent and softener into the detergent case. Then close the door.</p> <ul style="list-style-type: none">• Put detergent into the main wash and prewash compartments in the detergent case. Softener should be below the 'MAX' level.• Put detergent into the pre wash compartment only if you want to add prewash.• When you want to use bleach, put it into the main wash compartment with detergent.
2	<p>Press the Power button.</p> <ul style="list-style-type: none">• The LED shows only '---' and all Program Lights turn on.
3	<p>Select the 'Delicate' program using program selection dial.</p> <ul style="list-style-type: none">• Washing temperature 'Cold', spin '400' rpm and rinse '2' times are selected automatically.• If you want to change the spin velocity or add wash options (Rinse+, Crease Care), press each button.
4	<p>Press Start/Pause button.</p> <ul style="list-style-type: none">• The Door is locked. By sensing the weight of laundry and supplying wash water, The appliance starts washing.

Note

- If you want to change the setting during operation, press the Start/Pause button to hold the operation and press the button you want.
- 'Cold', '30°C' and '40°C' are the only washing temperatures that are selectable with the Delicate program.
- A spin speed of more than 1000rpm is not selectable with the Delicate program.
- Only 'Rinse+' and 'Crease Care' wash options are selectable with the Delicate program.
- The appropriate amount of laundry for the Delicate program is below 2.0kg.

For Customer Services & Spare Parts please call **0845 208 8750**
Opening times: Monday - Friday 8am – 6pm & Saturday 9am – 1pm or visit us at
www.productcareuk.com

Washing procedure & programme selection

Wool program

1	<p>Put the laundry in the drum. Put detergent and softener into the detergent case. Then close the door.</p> <ul style="list-style-type: none">• Put detergent into the main wash and prewash compartments in the detergent case. Softener should be below the 'MAX' level.• Put detergent into the pre wash compartment only if you want to add prewash.• When you want to use bleach, put it into the main wash compartment with detergent.
2	<p>Press the Power button.</p> <ul style="list-style-type: none">• The LED shows only '---' and all Program Lights turn on.
3	<p>Select the 'Wool' program using program selection dial.</p> <ul style="list-style-type: none">• Washing temperature 'Cold', spin '400' rpm and rinse '2' times are selected automatically.• If you want to change the spin velocity or add wash options (Rinse+, Crease Care), press each button.
4	<p>Press Start/Pause button.</p> <ul style="list-style-type: none">• The Door is locked. By sensing the weight of laundry and supplying wash water, The appliance starts washing.

Note

- If you want to change the setting during operation, press the Start/Pause button to hold the operation and press the button you want.
- Only 'Cold', '30°C', and '40°C' washing temperatures are selectable with Wool program.
- A spin speed of more than 1000rpm is not selectable with the Wool program in order to protect damage on laundry.
- Only 'Rinse+' and 'Crease Care' wash options are selectable with the Wool program.
- The appropriate amount of laundry for the Wool program is below 2.0kg.
- It is recommended that you use special detergent for wool (Please note that special neutral detergent for wool creates a lot of bubbles, so use the appropriate amount).

For Customer Services & Spare Parts please call **0845 208 8750**

Opening times: Monday - Friday 8am – 6pm & Saturday 9am – 1pm or visit us at

www.productcareuk.com

Washing procedure & programme selection

Hand wash program

1	<p>Put the laundry in the drum. Put detergent and softener into the detergent case. Then close the door.</p> <ul style="list-style-type: none">• Put detergent into the main wash and prewash compartments in the detergent case. Softener should be below the 'MAX' level.• Put detergent into the pre wash compartment only if you want to add prewash.• When you want to use bleach, put it into the main wash compartment with detergent.
2	<p>Press the Power button.</p> <ul style="list-style-type: none">• The LED shows only '---' and all Program Lights turn on.
3	<p>Select the 'Hand Wash' program using program selection dial.</p> <ul style="list-style-type: none">• Washing temperature 'Cold', spin '400' rpm and rinse '3' times are selected automatically.• If you want to change the washing temperature, spin velocity or add wash options (Rinse+, Crease Care), press each button.
4	<p>Press Start/Pause button.</p> <ul style="list-style-type: none">• The Door is locked. By sensing the weight of laundry and supplying wash water, The appliance starts washing.

Note

- If you want to change the setting during operation, press the Start/Pause button to hold the operation and press the button you want.
- Only 'Cold' and '30' °C washing temperatures are selectable with the Hand Wash program.
- A spin speed of more than 1000rpm is not selectable with the Hand Wash program.
- Only 'Rinse+' and 'Crease Care' wash options are selectable with Hand Wash program.
- Use the Hand Wash program for laundry that is marked 'Hand wash' on the care label.
- The appropriate amount of laundry for the Hand Wash Program is below 2.0kg.

For Customer Services & Spare Parts please call **0845 208 8750**
Opening times: Monday - Friday 8am – 6pm & Saturday 9am – 1pm or visit us at
www.productcareuk.com

Washing procedure & programme selection

Quick 30 program

1	<p>Put the laundry in the drum. Put detergent and softener into the detergent case. Then close the door.</p> <ul style="list-style-type: none">• Put detergent into the main wash and prewash compartments in the detergent case. Softener should be below the 'MAX' level.• Put detergent into the pre wash compartment only if you want to add prewash.• When you want to use bleach, put it into the main wash compartment with detergent.
2	<p>Press the Power button.</p> <ul style="list-style-type: none">• The LED shows only '---' and all Program Lights turn on.
3	<p>Select the 'Quick' program using program selection dial.</p> <ul style="list-style-type: none">• Washing temperature '30' °C, spin '800' rpm and rinse '2' times are selected automatically.• If you want to change the washing temperature, spin velocity or add wash options (Rinse+, Crease Care), press each button.
4	<p>Press Start/Pause button.</p> <ul style="list-style-type: none">• The Door is locked. By sensing the weight of laundry and supplying wash water, The appliance starts washing.

Note

- If you want to change the setting during operation, press the Start/Pause button to hold the operation and press the button you want.
- Only 'Cold', '30' °C and '40' °C washing temperatures are selectable with the Quick 30 program.
- Only 'Rinse+' and 'Crease Care' wash options are selectable with the Quick 30 program.
- The appropriate amount of laundry for the Quick 30 Program is below 2.0kg..

For Customer Services & Spare Parts please call **0845 208 8750**
Opening times: Monday - Friday 8am – 6pm & Saturday 9am – 1pm or visit us at
www.productcareuk.com

Washing procedure & programme selection

Spin only program

1	Put the laundry in the drum. Then close the door.
2	Press the Power button. • The LED shows only '--' and all Program Lights turn on.
3	Select the spin speed by pressing Spin button.
4	Press the Start/Pause button. • The washing machine will start operating by locking the door.

For Customer Services & Spare Parts please call **0845 208 8750**
Opening times: Monday - Friday 8am – 6pm & Saturday 9am – 1pm or visit us at
www.productcareuk.com

Maintenance

The correct care of your washer can extend its life. This section explains how to care for your washer properly and safely.

Cleaning your Washing Machine

Exterior

- Wipe up detergent, bleach, and other spills with a soft, damp cloth or sponge as and when they occur.
- Occasionally wipe the outside of the washer to keep it looking like new.

Interior

- Clean interior with 250ml of chlorine bleach mixed with 500ml of detergent. Run washer through a complete cycle. Repeat this process if necessary.

Important note

- **Do not put sharp or metal object in your washer, or they can damage the finish. Check all pockets for pins, clips, money, bolts, nuts, etc.**
- **Do not lay these objects in your washer after emptying pockets.**

Winter storage or moving care

Install and store your washer where it will not freeze. Because some water may stay in the hoses, freezing can damage your washer. If you store or move your washer during freezing weather, winterize it.

To winterize washer

- Turn off water faucet.
- Disconnect and drain water inlet hoses.
- Run washer on a drain and spin setting (see page 10) for 1 minute.
- Unplug the power supply cord.

To use washer again

- Flush water pipes and hoses.
- Reconnect water inlet hoses.
- Turn on water faucet.
- Reconnect power supply cord.

For Customer Services & Spare Parts please call **0845 208 8750**

Opening times: Monday - Friday 8am – 6pm & Saturday 9am – 1pm or visit us at

www.productcareuk.com

Maintenance

Non-use or vacation care

Operate your washer only when you are at home.

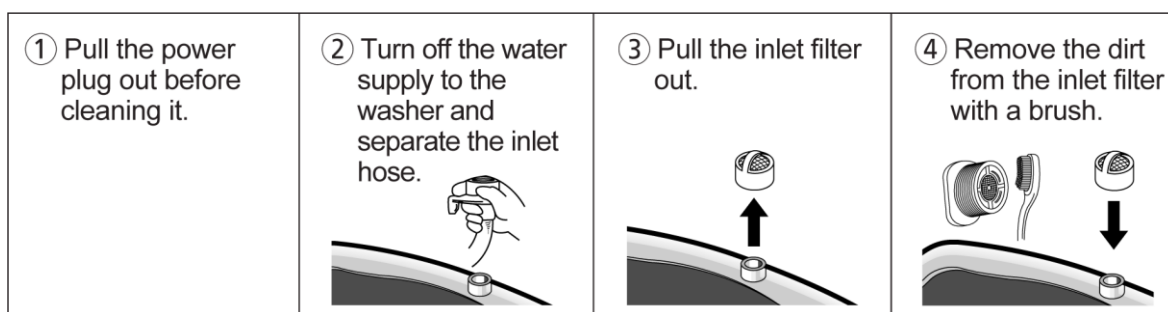
If you are on vacation or don't use your washer for an extended period of time, you should:

- Unplug the power supply cord or turn off electrical power to the washer.
- Turn off the water supplier to the washer.

This helps avoid accidental flooding (due to a water pressure surge) while you are away.

Cleaning the water inlet filter

- Clean the filter when water leaks from the water inlet.

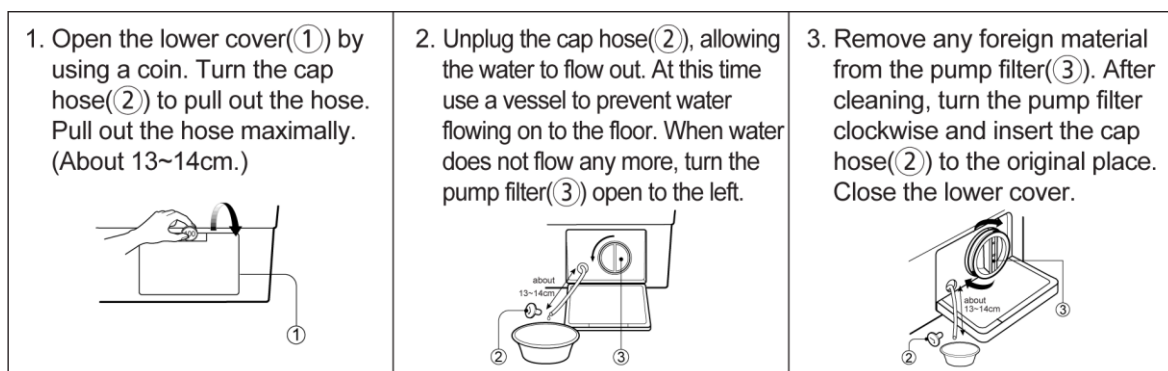


Cleaning the drain filter

- This drain filter is used to screen foreign objects such as threads, coins, pins, buttons etc.
- If the drain filter is not cleaned regularly (after every 10 times of use), a drain problem could be caused.

CAUTION

Be careful when draining if the water is hot.



For Customer Services & Spare Parts please call **0845 208 8750**

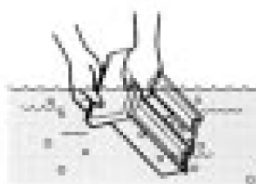
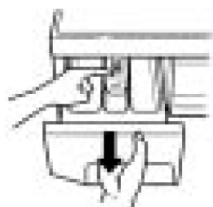
Opening times: Monday - Friday 8am – 6pm & Saturday 9am – 1pm or visit us at

www.productcareuk.com

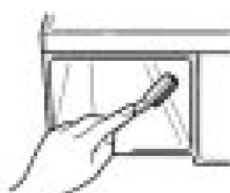
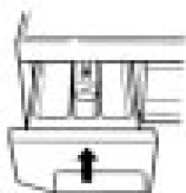
Maintenance

Cleaning the detergent case

- After a while detergent and fabric softeners leave a deposit in the case;
- It should be cleaned from time to time with a jet of running water. If necessary it can be removed completely from the machine by pressing the catch downwards and by pulling it out.
- To facilitate cleaning, the upper part of the fabric softener compartment can be removed.



- Detergent can also accumulate inside the recess which should be cleaned occasionally with a brush.
- Once you have finished cleaning, replace the case and run a rinse cycle without laundry.



For Customer Services & Spare Parts please call **0845 208 8750**
Opening times: Monday - Friday 8am – 6pm & Saturday 9am – 1pm or visit us at
www.productcareuk.com

Removing stains

Stained, heavily-soiled, or greasy items may need to be prewashed or soaked for best results. Soaking helps remove protein-type stains like blood, milk or grass. Prewashing helps loosen soil before washing.

Stain removal rules

- Use warm water for soaking or prewashing stained laundry. Hot water can set stains.
- Most stains are easier to remove when they are fresh.
- Before treating any stain, find out what kind of stain it is, how old the stain is, what kind of fabric it is, and whether the fabric is colourfast (Check the care label).
- Washing and drying can set some stains.
- Start with cold or warm water. Hot water can set some stains.
- When bleach is recommended, use a bleach that is safe for the fabric.
- Put the stained area face down on a paper towel or white cloth. Apply the stain remover to the back of the stain. This forces the stain off fabric instead of through it.

Stain removal guide

STAIN	TO REMOVE
Blood	Rinse immediately in COLD water. If stain remains, soak in cold water with an enzyme prewash.
Chewing gum	Use ice in plastic bag to harden the gum. Scrape off what you can and the sponge with white spirits.
Cocoa, Chocolate	Sponge with COLD water and soak in an enzyme prewash. If stains persist, rub in a little detergent and rinse in cold water.
Coffee	Blot up quickly and rinse out in COLD water. Rub in a little detergent and wash in the maximum temperature allowed for the fabric type.
Cream/Milk Ice cream	Rinse in COLD water and wash normally. If stain is still apparent, sponge with white spirits.
Deodorant	Rub affected area with white vinegar and then rinse out in COLD water. Sponge with white spirits. Treat stiffened areas with enzyme prewash.
Egg	Soak in a COLD enzyme prewash, rinse and wash normally.
Fabric/Softener	Rub affected area with bar soap and wash normally.
Fruit stains	Treat as soon as possible by sponging with COLD water. Rub a little detergent on the stain and wash normally.
Grass	Sponge with white spirits. Rub in an enzyme prewash and wash as normally.
Grease and oil	Lay the affected area face down on an absorbent cloth and work from the back. Sponge with white spirits or dry cleaning fluid. Wash normally.
Iron or rust	Apply lemon juice and salt and place in the sun. Wash normally.
Lipstick	Sponge with white methylated spirits and wash normally.
Mildew	Wash in WARM water and detergent. Moisten area with lemon juice, dry in the sun and wash normally. If stain persists and the fabric allows, use a bleach.
Mud	Brush off any dry mud. Rinse in cold water. If stain persists rub in a little detergent and wash normally.
Paint-oil based	Scrape off any fresh paint and sponge with a non flammable dry cleaning fluid and wash normally.
Paint-water based	Treat while still wet, rinse in WARM water and wash normally.
Scorch marks	Dampen a cloth with hydrogen peroxide, lay it over the affected area and press with a fairly hot iron.

Trouble shooting

Most problems are easily solved if you understand the cause.

Check the following list for problem before calling for service.

If the error mode such as IE, OE, UE were displayed on the control part, in order to solve these problem, first turn off the power of the washing machine and then turn on the power pressing Power button.

If PFE error mode was displayed on the control part, in order to solve this problem, first turn off the power of the washing machine, second turn on the power pressing Power button, third press SPIN button and last press Start/Pause button.

PROBLEM	CHECK POINT
<ul style="list-style-type: none"> The washer will not operate at all. 	<ul style="list-style-type: none"> Is there a power failure? Is the power cord correctly connected to an electric outlet? Did you turn on the power? Did you press Start/Pause button? Is there correct amount of laundry in the washer?
<ul style="list-style-type: none"> Water is not supplied <p>Error display IE</p>	<ul style="list-style-type: none"> Did you connect the inlet hose and open the water tap? Is the inlet hose or the water tap frozen? Is the water supply shut off? Is there any foreign matter blocking up the inlet hose filter?
<ul style="list-style-type: none"> The washer will not drain <p>Error display OE</p>	<ul style="list-style-type: none"> Is the drain hose frozen or blocked up by dirt? Is the drain hose kinked or deformed? Is the end of the drain hose immersed in water? Is there excessive dirt inside the drain filter?
<ul style="list-style-type: none"> The washer will not spin <p>Error display UE</p>	<ul style="list-style-type: none"> Is the clothes in the drum collected on one side? Is the washer installed on an uneven floor or is the vibration serious? Is the door open? (The lamp "LE" will light up in this case.)
<ul style="list-style-type: none"> The washer will stop during spinning . Spinning is insufficient. <p>Error display PFE</p>	<ul style="list-style-type: none"> Is the filter of the drain pump clogged? Is the drain pump operated? Did you use the proper amount of detergent? Is the drain hose placed higher than 1m above floor?
<ul style="list-style-type: none"> Vibrating and too noisy 	<ul style="list-style-type: none"> Is the washer installed on an uneven floor? Have all the transit bolts removed?

These cases are not malfunctions;

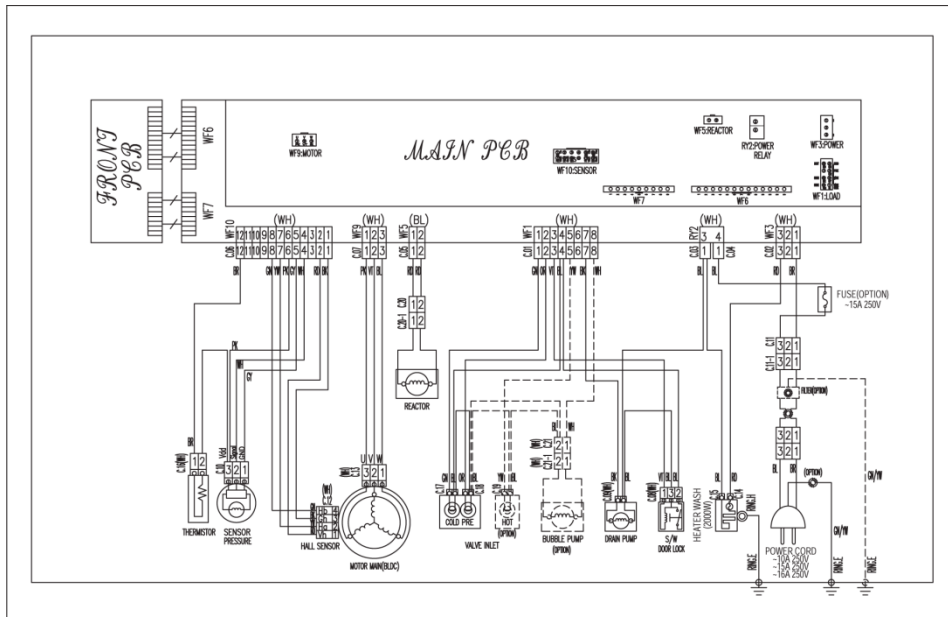
- The sound "wing" heard during water supply is the operating sound made by the water inlet valve.

Specification

Specification

Model	RHWM81400DIDW
Dimension (mm)	(H)850 X (W)595 X (D)610
Maximum mass of dry clothes (kg)	8.0
Unit Weight (kg)	54 (Net) / 58 (Gross)
Standard Water Consumption	52L
Spin Speed (RPM)	400 / 800 / 1000 / 1400
Operating Water Pressure	0.03MPa ~ 0.8MPa (0.3kgf/cm ² ~ 8kgf/cm ²)

Wiring



For Customer Services & Spare Parts please call **0845 208 8750**
 Opening times: Monday - Friday 8am – 6pm & Saturday 9am – 1pm or visit
 us at **www.productcareuk.com**

Connection to the mains supply

WARNING- THIS APPLIANCE MUST BE EARTHED

This appliance is designed to operate from a mains supply of AC230V ~ 50HZ.
Check that the voltage marked on the product corresponds with your supply voltage.

This product is fitted with a 13A plug complying with BS1363.

If this plug is unsuitable or needs to be replaced, please note the following:

Important: The wires in the mains lead are
Coloured in accordance with the following code:
GREEN/YELLOW - EARTH
BLUE - NEUTRAL
BROWN - LIVE



For UK use only – Plug fitting details (where applicable):

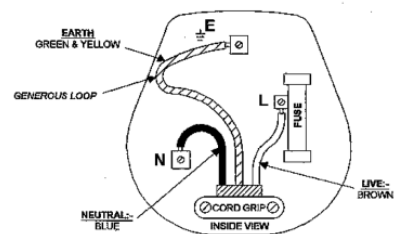
As the colours of the wires in the mains lead of this appliance may not correspond with the coloured markings identifying the terminals in your plug, proceed as follows:

The GREEN/YELLOW wire is the EARTH and must be connected to the terminal which is marked with the letter E or by the earth symbol or coloured GREEN or GREEN/YELLOW.

The BLUE wire is the NEUTRAL and must be connected to the terminal marked with the letter N or coloured BLACK.

The BROWN wire is the LIVE wire and must be connected to the terminal marked with the letter L or coloured RED.

Always ensure that the plug cord grip is fastened correctly.



If a 13A (BS1363) fused plug is used it must be fitted with a 13amp fuse conforming to BS1362 and be BSI or ASTA approved.

For Customer Services & Spare Parts please call **0845 208 8750**
Opening times: Monday - Friday 8am – 6pm & Saturday 9am – 1pm or visit
us at **www.productcareuk.com**

Spare parts

Spare part	Contact details
Detergent drawer	Available at www.productcareuk.com or call 0845 208 8750
Door	Available at www.productcareuk.com or call 0845 208 8750
Door seal	Available at www.productcareuk.com or call 0845 208 8750
Adjustable leg(s)	Available at www.productcareuk.com or call 0845 208 8750
Inlet hose	Available at www.productcareuk.com or call 0845 208 8750
Plastic caps	Available at www.productcareuk.com or call 0845 208 8750
Pump	Available at www.productcareuk.com or call 0845 208 8750
Motor	Available at www.productcareuk.com or call 0845 208 8750
PCB	Available at www.productcareuk.com or call 0845 208 8750
Other	Available at www.productcareuk.com or call 0845 208 8750

For Customer Services & Spare Parts please call **0845 208 8750**
 Opening times: Monday - Friday 8am – 6pm & Saturday 9am – 1pm or visit
 us at www.productcareuk.com

For Customer Services & Spare Parts
please call

0845 208 8750

Opening times: Monday - Friday
8am – 6pm & Saturday 9am – 1pm

or visit us at

www.productcareuk.com

Revision 1



This symbol is known as the 'Crossed-out wheellie bin Symbol'. When this symbol is marked on a product/batteries, it means that the product/batteries should not be disposed of with your general household waste. Only discard electrical/electronic/battery items in separate collection schemes, which cater for the recovery and recycling of materials contained within. Your co-operation is vital to make sure the success of these schemes and for the protection of the environment. For your nearest disposal facility, visit www.recycle-more.co.uk or ask in store for details.

We reserve the right due to possible changes to design to alter the instruction manual without prior notice.

For Customer Services & Spare Parts please call **0845 208 8750**
Opening times: Monday - Friday 8am – 6pm & Saturday 9am – 1pm or visit
us at **www.productcareuk.com**

Free Manuals Download Website

<http://myh66.com>

<http://usermanuals.us>

<http://www.somanuals.com>

<http://www.4manuals.cc>

<http://www.manual-lib.com>

<http://www.404manual.com>

<http://www.luxmanual.com>

<http://aubethermostatmanual.com>

Golf course search by state

<http://golfingnear.com>

Email search by domain

<http://emailbydomain.com>

Auto manuals search

<http://auto.somanuals.com>

TV manuals search

<http://tv.somanuals.com>