

# Operator's Manual

GEN12AD-V

# Generator Systems

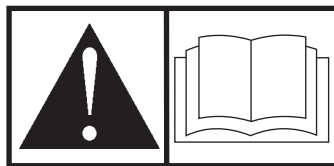
**Questions?**

**Help is just a moment away!**

**Call: Generator Helpline**

**877-369-9400**

**Monday-Friday 8:00 AM to 5:00 PM Central Time**



**Thank you** for purchasing this quality-built Rheem / Ruud standby generator. We are pleased that you've placed your confidence in the Rheem or Ruud brand. When operated and maintained according to the instructions in this manual, your Rheem / Ruud generator will provide many years of dependable service.

**This manual contains** safety information to make you aware of the hazards and risks associated with standby generators and how to avoid them. Because Rheem does not necessarily know all the applications this equipment could be used for, it is important that you read and understand these instructions thoroughly before attempting to start or operate this equipment. **Save these original instructions for future reference.**

**This standby generator requires professional installation before use.** Refer to the separate Installation manual for instructions on safe installation procedures. Your installer should follow the instructions completely.

### **Where to Find Us**

You never have to look far to find support and service for your standby generator equipment. Consult your Yellow Pages. There are many Rheem and Ruud authorized service dealers who provide quality service. You can also contact Rheem/Ruud Customer Service by phone at **877-369-9400**.

**Generator and engine model and serial numbers should be recorded in the installation manual.**

NOT  
FOR  
REPRODUCTION

Copyright © 2012. All rights reserved. No part of this material may be reproduced or transmitted in any form by any means without the express written permission of Rheem Manufacturing Company.

# Table of Contents

<b>Important Safety Instructions</b> . . . . .	<b>4</b>
<b>Installation</b> . . . . .	<b>7</b>
Owner Orientation . . . . .	7
Fuel Factors . . . . .	8
Delivery Inspection . . . . .	10
<b>Controls</b> . . . . .	<b>11</b>
Generator . . . . .	11
System Control Panel . . . . .	12
Access Ports . . . . .	13
<b>Operation</b> . . . . .	<b>15</b>
Engine Oil . . . . .	15
Battery . . . . .	15
15 Amp Fuse . . . . .	15
Automatic Operation . . . . .	15
<b>Maintenance</b> . . . . .	<b>16</b>
Fault Detection System . . . . .	16
<b>Generator Maintenance</b> . . . . .	<b>18</b>
<b>Engine Maintenance</b> . . . . .	<b>19</b>
Engine Oil . . . . .	19
Battery . . . . .	24
<b>Troubleshooting</b> . . . . .	<b>26</b>
<b>Warranty</b> . . . . .	<b>27</b>
<b>Generator Specifications</b> . . . . .	<b>28</b>
<b>Engine Specifications</b> . . . . .	<b>28</b>
<b>Common Service Parts</b> . . . . .	<b>28</b>

# Save These Instructions

## Important Safety Instructions

SAVE THESE INSTRUCTIONS - This manual contains important instructions that should be followed during installation and maintenance of the generator and batteries.

### Safety Symbols and Meanings



Explosion



Fire



Electrical Shock



Toxic Fumes



Rotating Parts



Hot Surface



Auto Start



Explosive Pressure



Chemical Burn



Lift Hazard



Read Manual

**▲** The safety alert symbol indicates a potential personal injury hazard. A signal word (DANGER, WARNING, or CAUTION) is used with the alert symbol to designate a degree or level of hazard seriousness. A safety symbol may be used to represent the type of hazard. The signal word NOTICE is used to address practices not related to personal injury.

**▲ DANGER** indicates a hazard which, if not avoided, *will* result in death or serious injury.

**▲ WARNING** indicates a hazard which, if not avoided, *could* result in death or serious injury.

**▲ CAUTION** indicates a hazard which, if not avoided, *could* result in minor or moderate injury.

**NOTICE** addresses practices not related to personal injury.

The manufacturer cannot possibly anticipate every possible circumstance that might involve a hazard. The warnings in this manual, and the tags and decals affixed to the unit are, therefore, not all-inclusive. If you use a procedure, work method or operating technique that the manufacturer does not specifically recommend, you must satisfy yourself that it is safe for you and others. You must also make sure that the procedure, work method or operating technique that you choose does not render the generator system unsafe.

**▲ WARNING** Running engine gives off carbon monoxide, an odorless, colorless, poison gas.



Breathing carbon monoxide could result in death, serious injury, headache, fatigue, dizziness, vomiting, confusion, seizures, nausea or fainting.

- Operate this product **ONLY** outdoors in an area that will not accumulate deadly exhaust gas.
- Keep exhaust gas away from any windows, doors, ventilation intakes, soffit vents, crawl spaces, open garage doors or other openings that can allow exhaust gas to enter inside or be drawn into a potentially occupied building or structure.
- Carbon monoxide detector(s) **MUST** be installed and maintained indoors according to the manufacturer's instructions/recommendations. Smoke alarms cannot detect carbon monoxide gas.

**▲ WARNING** The engine exhaust from this product contains chemicals known to the State of California to cause cancer, birth defects, or other reproductive harm.

**▲ WARNING** Certain components in this product and related accessories contain chemicals known to the State of California to cause cancer, birth defects, or other reproductive harm. Wash hands after handling.

**▲ WARNING** Storage batteries give off explosive hydrogen gas during recharging.



Slightest spark will ignite hydrogen and cause explosion, resulting in death, serious injury, and/or


property damage.

Battery electrolyte fluid contains acid and is extremely caustic.


Contact with battery contents will cause severe chemical burns.

A battery presents a risk of electrical shock and high short circuit current.


- DO NOT dispose of battery in a fire. Recycle battery.
- DO NOT allow any open flame, spark, heat, or lit cigarette during and for several minutes after charging a battery.
- DO NOT open or mutilate the battery.
- Wear protective goggles, rubber apron, rubber boots and rubber gloves.
- Remove watches, rings, or other metal objects.
- Use tools having insulated handles.

 **WARNING** Generator produces hazardous voltage. Failure to properly ground generator could result in electrocution. Failure to isolate generator from utility power could result in death or serious injury to electric utility workers due to backfeed of electrical energy.

- When using generator for backup power, notify utility company.
- DO NOT touch bare wires or bare receptacles.
- DO NOT use generator with electrical cords which are worn, frayed, bare or otherwise damaged.
- DO NOT handle generator or electrical cords while standing in water, while barefoot, or while hands or feet are wet.
- If you must work around a unit while it is operating, stand on an insulated dry surface to reduce the risk of a shock hazard.
- DO NOT allow unqualified persons or children to operate or service generator.
- In case of an accident caused by electrical shock, immediately shut down the source of electrical power and contact the local authorities. **Avoid direct contact with the victim.**
- Despite the safe design of the generator, operating this equipment imprudently, neglecting its maintenance or being careless can cause possible injury or death.
- Remain alert at all times while working on this equipment. Never work on the equipment when you are physically or mentally fatigued.
- Before performing any maintenance on the generator, disconnect the battery cable indicated by a **NEGATIVE, NEG** or (-) first. When finished, reconnect that cable last.
- After your system is installed, the generator may crank and start without warning any time there is a power failure. To prevent possible injury, always set the generator's system switch to **OFF**, remove the service disconnect from the disconnect box AND remove the 15 Amp fuse BEFORE working on the equipment.

 **WARNING** Propane and Natural Gas are extremely flammable and explosive, which could cause burns, fire or explosion resulting in death, serious injury and/or property damage.

- DO NOT operate the equipment if the "fuel shut-off" valve is missing or inoperative.
- Install the fuel supply system according to NFPA 37 and other applicable fuel-gas codes.
- Before placing the generator into service, the fuel system lines must be properly purged and leak tested.
- After the generator is installed, you should inspect the fuel system periodically.
- NO leakage is permitted.
- DO NOT operate engine if smell of fuel is present or other explosive conditions exist.
- DO NOT smoke around the generator. Wipe up any oil spills immediately. Ensure that no combustible materials are left in the generator compartment. Keep the area near the generator clean and free of debris.

 **WARNING** Starter and other rotating parts can entangle hands, hair, clothing, or accessories resulting in serious injury.

- NEVER operate generator without protective housings, covers, or guards in place.
- DO NOT wear loose clothing, jewelry or anything that may be caught in the starter or other rotating parts.
- Tie up long hair and remove jewelry.
- Before servicing, remove 15 Amp fuse from control panel and disconnect **Negative (NEG or -)** battery cable.

**▲ WARNING** Exhaust heat/gases could ignite combustibles or structures resulting in death, serious injury and/or property damage. Contact with muffler area could cause burns resulting in serious injury.



- DO NOT touch hot parts and AVOID hot exhaust gases.
- Allow equipment to cool before touching.
- Exhaust outlet side of weatherproof enclosure must have at least 5 ft. (1.5 m) minimum clearance from any structure, shrubs, trees or any kind of vegetation.
- Standby generator weatherproof enclosure must be at least 5 ft. (1.5 m) from windows, doors, any wall opening, shrubs or vegetation over 12 inches (30.5 cm) in height.
- Standby generator weatherproof enclosure must have a minimum of 5 ft. (1.5 m) overhead clearance from any structure, overhang or trees.
- DO NOT place weatherproof enclosure under a deck or other type of structure that may confine airflow.
- Use only flexible steel fuel line provided. Connect provided fuel line to generator, DO NOT use with or substitute any other flexible fuel line.
- Smoke detector(s) MUST be installed and maintained indoors according to the manufacturer's instructions/recommendations. Carbon monoxide alarms cannot detect smoke.
- Keep at least minimum distances shown in *General Location Guidelines* to insure for proper generator cooling and maintenance clearances.
- It is a violation of California Public Resource Code, Section 4442, to use or operate the engine on any forest-covered, brush-covered, or grass-covered land unless the exhaust system is equipped with a spark arrester, as defined in Section 4442, maintained in effective working order. Other states or federal jurisdictions may have similar laws.  
Contact the original equipment manufacturer, retailer, or dealer to obtain a spark arrester designed for the exhaust system installed on this engine.
- Replacement parts must be the same and installed in the same position as the original parts.

**▲ CAUTION** Installing the 15A fuse could cause the engine to start at any time without warning resulting in minor or moderate injury.



- Observe that the 15 Amp fuse has been removed from the control panel for shipping.
- DO NOT install this fuse until all plumbing and wiring has been completed and inspected.

**▲ CAUTION** Excessively high operating speeds could result in minor injury and/or equipment damage. Excessively low speeds impose a heavy load on generator.

- DO NOT tamper with governed speed. Generator supplies correct rated frequency and voltage when running at governed speed.
- DO NOT modify generator in any way.

**NOTICE** Improper treatment of generator can damage it and shorten its life.

- Use generator only for intended uses.
- If you have questions about intended use, contact your authorized dealer.
- Operate generator only on level surfaces.
- Adequate, unobstructed flow of cooling and ventilating air is critical to correct generator operation.
- The Oil Fill, Oil Drain and the Control Panel doors must be installed whenever the unit is running.
- DO NOT expose generator to excessive moisture, dust, dirt, or corrosive vapors.
- Despite the safe design of the generator, operating this equipment imprudently, neglecting its maintenance or being careless can cause possible injury or death.
- Remain alert at all times while working on this equipment. Never work on the equipment when you are physically or mentally fatigued.
- DO NOT start engine with air cleaner or air cleaner cover removed.
- DO NOT insert any objects through cooling slots.
- DO NOT use the generator or any of its parts as a step. Stepping on the unit can cause stress and break parts. This may result in dangerous operating conditions from leaking exhaust gases, fuel leakage, oil leakage, etc.
- If connected devices overheat, turn them off and disconnect them from generator.

Shut off generator if:

- electrical output is lost;
- equipment sparks, smokes, or emits flames;
- unit vibrates excessively;
- unit makes unusual noises.

## Installation

We sincerely appreciate your patronage. For this reason, we have made every effort to provide for a safe, streamlined and cost-effective installation. Because each installation is unique, it is impossible to know of and advise the trade of all conceivable procedures and methods by which installation might be achieved. Neither could we know of possible hazards and/or the results of each method or procedure. For these reasons,

Only current licensed electrical and plumbing professionals should attempt home generator system installations. Installations must strictly comply with all applicable codes, industry standards and regulations.

Your home generator is supplied with this "Operator's Manual" and a separate "Installation Manual". These are important documents and should be retained by the owner after the installation has been completed.

This product is only for use as an optional generator system which provides an alternate source of electric power and to serve loads such as heating, refrigeration systems, and communication systems that, when stopped during any power outage, could cause discomfort or inconvenience.

**NOTICE** This product does NOT qualify for either an emergency standby or legally required standby system as defined by NFPA 70 (NEC).

- Emergency generator systems are intended to automatically supply illumination, power, or both, to designated areas and equipment in the event of failure of the normal supply. Emergency systems may also provide power for such functions as ventilation where essential to maintain life, where current interruption of the normal supply would produce serious life safety or health hazards.
- Legally Required standby generator systems are intended to automatically supply power to selected loads in the event of failure of the normal source which could create hazards or hamper rescue or fire-fighting operations.

Every effort has been made to ensure that information in this manual is accurate and current. However, we reserve the right to change, alter, or otherwise improve the product and this document at any time without prior notice.

Only current licensed electrical and plumbing professionals should attempt home generator system installations. Installations must strictly comply with all applicable codes, industry standards, laws and regulations.

## For the Home Owner:

To help you make informed choices and communicate effectively with your installation contractor(s), **read and understand *Owner Orientation* in this manual before contracting or starting your generator installation.**

To arrange for proper installation, contact the store at which you purchased your generator, your dealer, a licensed electrician or your utility power provider.

**The generator warranty is VOID unless the system is installed by licensed electrical and plumbing professionals.**

Every effort has been made to ensure that information in this manual is accurate and current. However, we reserve the right to change, alter, or otherwise improve the product and this document at any time without prior notice.

The Emission Control System for this generator is warranted for standards set by the U.S. Environmental Protection Agency and by the California Air Resources Board (CARB).

## For the Installing Dealer/Contractor:

For most applications, the installation manual contains all the information required to properly install and start the generator. This operator's manual describes routine operation and owner maintenance procedures.

If you need more information in this matter, please call at 877-369-9400 between 8:00 AM and 5:00 PM CT.

## Owner Orientation

This section provides generator owners with the information necessary to achieve the most satisfactory and cost effective installation possible.

The illustrations are for typical circumstances and are meant to familiarize you with the installation options available with your generator. A thorough understanding of these options will provide fundamental control over the cost of your installation, as well as ensure your final satisfaction and security.

Federal and local codes, appearance, noise levels, fuel types, and distances are the factors that must be considered when negotiating with an installation professional. Remember that as the distance from the existing electrical service and gaseous fuel supply increases, and the number of 90 degree bends in the fuel supply increases, compensations in piping and wiring materials must be made. This is necessary to comply with local codes and overcome electrical voltage drops and gaseous fuel pressure drops.

**The factors mentioned above will have a direct affect on the overall price of your generator installation.**

In some areas you may need to acquire electrical permits for installing the generator, building permits for installing gas lines, and permits for noise allowances. Your installer should check your local codes AND obtain the permits before installing the system.




## Fuel Factors

An important consideration affecting the entire installation is the type of fuel used by your generator. The system was factory tested and adjusted using either natural gas or liquid propane (LP vapor). For proper engine function, factors that are inherent to each of these fuels, your location and the duration of possible utility interruptions are important considerations in the following fuel guidelines:

- Use clean, dry fuel, free of moisture or any particulate material. Using fuels outside the following recommended values may cause performance problems.
- In engines set up to run on propane (LP), commercial grade HD5 propane with a minimum fuel energy of 2500 BTUs/ft<sup>3</sup> with maximum propylene content of 5% and butane and heavier gas content of 2.5% and minimum propane content of 90%.

Natural gas rating will depend on specific fuel but typical derates are between 10 to 20% off the LP gas rating.

Natural gas or LP engines are certified to operate on natural or liquid propane gas. The emissions control system for this engine is EM (Engine Modifications).

 **WARNING** Propane and Natural Gas are extremely flammable and explosive, which could cause burns, fire or explosion resulting in death, serious injury and/or property damage.

- The residential generator is equipped with an automatic safety gas “fuel shut-off” valve.
- DO NOT operate the equipment if the “fuel shut-off” valve is missing or inoperative.

### Power Decrease at High Altitude or High Temperature

Air density is less at high altitudes, resulting in less available engine power. Specifically, engine power will decrease 3.5% for each 1,000 feet (300 meters) above sea level and 1% for each 10° F (5.6°C) above 77°F (25°C). Make sure you and your installer consider these factors when determining total generator load.



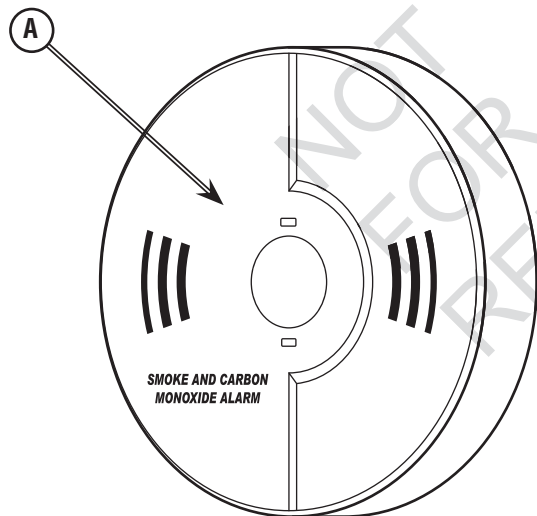
## Generator Location

The actual physical location of your generator has a direct affect on:

1. The amount of plumbing required to fuel your generator.
2. The amount of wiring required to control and connect your generator.

Specific location guidelines are discussed in the installation manual. Acquaint yourself with that information and confer with your installer. Be sure to ask how your site might affect installation costs and compliance with local codes and standards.

- Install generator outdoors in an area that will not accumulate deadly exhaust gas.
- DO NOT install generator where exhaust gas could accumulate and enter inside or be drawn into a potentially occupied building or structure.
- By law it is required in many states to have a Carbon Monoxide (CO) detector in operating condition in your home. Carbon monoxide detector(s) **(A)** MUST be installed and maintained indoors according to the manufacturer's instructions/recommendations. A CO monitor is an electronic device that detects hazardous levels of CO. When there is a buildup of CO, the monitor will alert the occupants by flashing visual indicator light and alarm. Smoke alarms cannot detect CO gas.



**⚠ WARNING** Running engine gives off carbon monoxide, an odorless, colorless, poison gas.



Breathing carbon monoxide could result in death, serious injury, headache, fatigue, dizziness, vomiting, confusion, seizures, nausea or fainting.

- Operate this product **ONLY** outdoors in an area that will not accumulate deadly exhaust gas.
- Keep exhaust gas away from any windows, doors, ventilation intakes, soffit vents, crawl spaces, open garage doors or other openings that can allow exhaust gas to enter inside or be drawn into a potentially occupied building or structure.
- Carbon monoxide detector(s) **MUST** be installed and maintained indoors according to the manufacturer's instructions/recommendations. Smoke alarms cannot detect carbon monoxide gas.

- Ensure exhaust gas is kept away from any windows, doors, ventilation intakes, soffit vents, crawl spaces, open garage doors or other openings that can allow exhaust gas to enter inside or be drawn into a potentially occupied building or structure. Your neighbor's home may be exposed to the engine exhaust from your standby generator and must be considered when installing your standby generator.
- Wind and air currents should be taken into consideration when positioning generator.

See the installation manual for full details on safe generator location.

**⚠ WARNING** Exhaust heat/gases could ignite combustibles or structures resulting in death, serious injury and/or property damage.



- Exhaust outlet side of weatherproof enclosure must have at least 5 ft. (1.5 m) minimum clearance from any structure, shrubs, trees, or any kind of vegetation.
- Standby generator weatherproof enclosure must be at least 5 ft. (1.5 m) from windows, doors, any wall opening, shrubs or vegetation over 12 in. (30.5 cm) in height.
- Standby generator weatherproof enclosure must have a minimum of 5 ft. (1.5 m) overhead clearance from any structure, overhang or trees.
- DO NOT place weatherproof enclosure under a deck or other type of structure that may confine airflow.
- USE ONLY flexible steel fuel line provided. Connect provided fuel line to generator. DO NOT use with or substitute any other flexible fuel line.
- Smoke detector(s) **MUST** be installed and maintained indoors according to the manufacturer's instructions/recommendations. Carbon monoxide alarms cannot detect smoke.
- DO NOT place weatherproof enclosure in manner other than shown in illustrations.

## Delivery Inspection

Carefully inspect the generator for any damage that may have occurred during shipment.

If loss or damage is noted at time of delivery, have the person(s) making delivery note all damage on the freight bill and affix his signature under the consignor's memo of loss or damage. If loss or damage is noted after delivery, separate the damaged materials and contact the carrier and your installer for claim procedures. Missing or damaged parts are not warranted.

### The generator is supplied with:

- Pre-attached mounting pad
- Fully-serviced oil/lubricating system
- Flexible steel fuel line
- Installation and start-up manual
- Operator's manual
- Spare access door keys
- Spare 15A ATO type fuse
- Two pin control panel connector
- Ten pin control panel connector
- Lifting hole plugs (4)
- LP conversion jet
- Battery tie-down strap
- Remote LED indicator kit (LED/plate/screws)

### Not included:

- Carbon monoxide detector(s)
- Smoke detector(s)
- Starting battery
- Connecting wire and conduit
- Fuel supply valves/plumbing
- Crane, lifting straps, chains or cables
- Two 48" lengths of 1" pipe (not conduit)
- Torque screwdriver, 50 to 50 inch-pound range
- Voltage / Frequency meter

NOT FOR REPRODUCTION

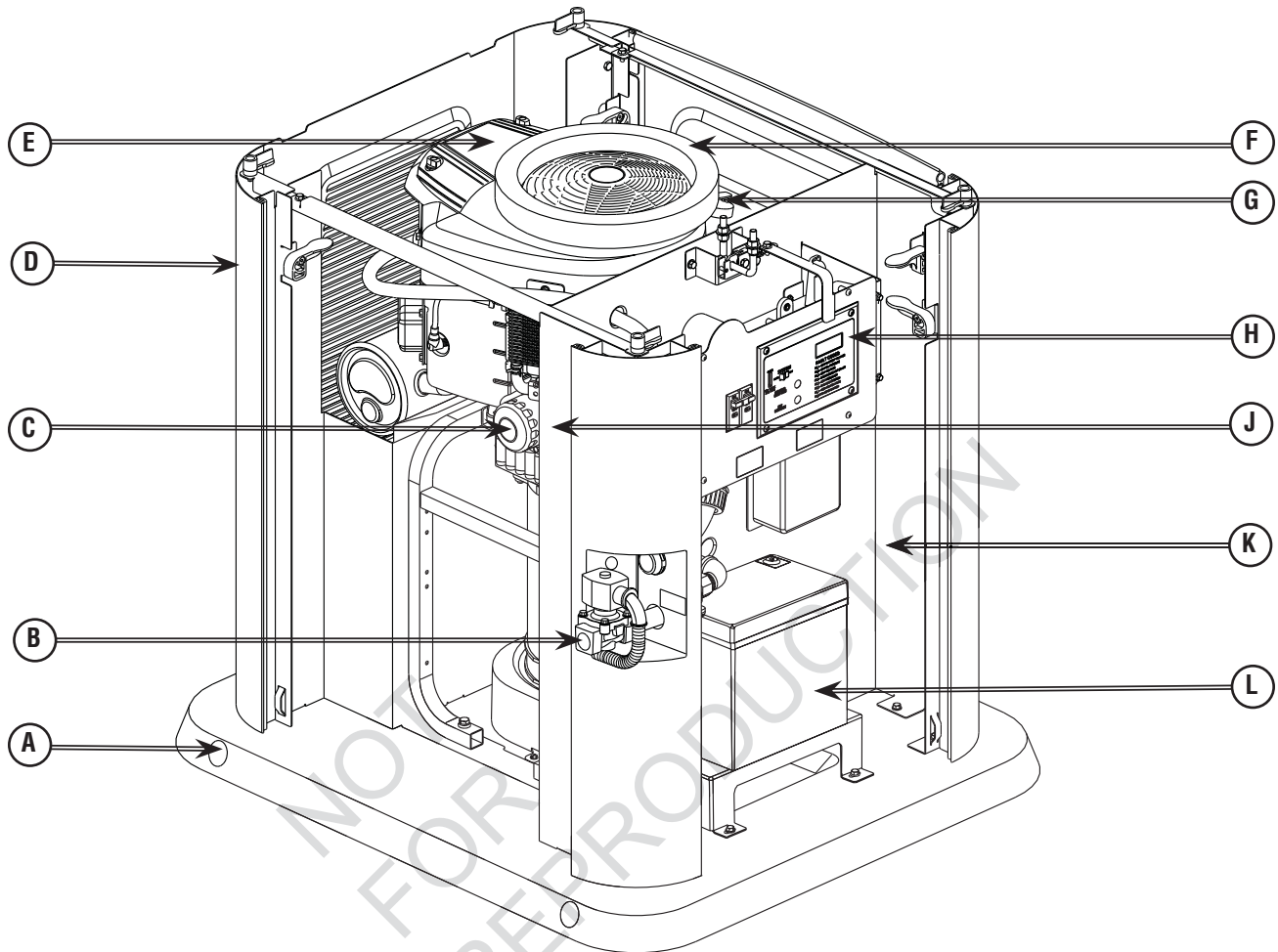
# Controls

## Generator



**Read this Operator's Manual and Important Safety Instructions before operating your generator.**

Compare the illustrations with your generator to familiarize yourself with the locations of various controls and adjustments. **Save this manual for future reference.**



Generator is shown with roof and access covers removed for clarity.

**A - Lifting Holes** — Provided at each corner for lifting generator.

**B - Fuel Inlet/Fuel Solenoid** — Attach appropriate fuel supply to generator here.

**C - Oil Filter** — Filters engine oil to prolong generator life.

**D - Exhaust Port** — High-performance muffler lowers engine noise to comply with most residential codes.

**E - Air Cleaner** — Uses a dry type filter element and foam pre-cleaner to protect engine by filtering dust and debris out of intake air.

**F - Engine Label** — Located on engine valve cover. Identifies engine model and type.

**G - Oil Fill Cap/Dipstick** — Check and fill engine with recommended oil here.

**H - Control Panel** — Used for various test, operation and maintenance functions. See System Control Panel.

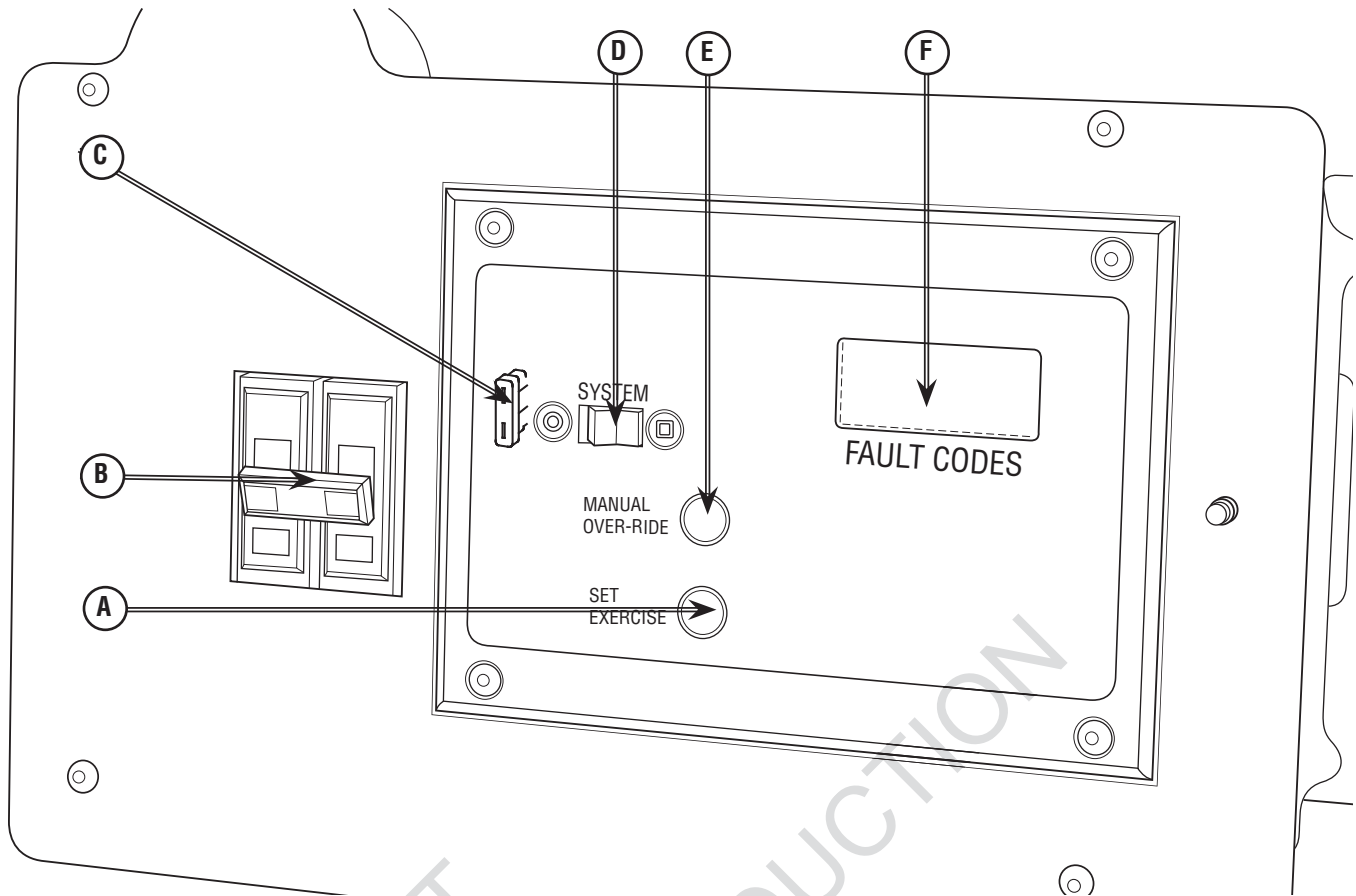
**J - Oil Drain Hose** — Located inside access panel, next to oil filter. Provided to facilitate oil changing.

**K - Unit Identification Label** — Identifies unit by serial number.

**L - Battery** (installer supplied) — 12 Volt DC, sealed battery provides power to start the engine.

## System Control Panel

Compare this control panel illustration with your generator to familiarize yourself with the location of these important controls:



**A - SET EXERCISE** — Used to set the exercise cycle start time and day-of-the-week. Exercise cycle only occurs in **AUTO** mode.

**B - Circuit Breaker** — Protects the system from shorts and other over-current conditions. Must be **ON** to supply power to the Automatic Transfer Switch.

**C - 15 Amp Fuse** — Protects the generator DC control circuits. If the fuse has 'blown' (melted open) or was removed, the engine cannot crank or start. Replace the fuse using only an identical ATO 15A fuse.

**D - System Switch** — This two-position switch is the most important control on the system and is used as follows:

- **"AUTO"** position is the normal operating position. If a utility power outage is sensed, the system will start the generator. When utility power is restored, **AUTO** lets the engine stabilize internal temperatures, shuts off the generator, and waits for the next utility power outage.
- **"OFF"** position turns off running generator, prevents unit from starting and resets any detected faults.

**E - MANUAL OVER-RIDE** — With system switch in **AUTO** position, push the manual override switch to start the generator. To turn off the generator, push and hold the manual override switch again until engine stops.

**F - Digital Display** — Displays the total number of hours the generator has been running and fault codes. Used to schedule maintenance tasks and for troubleshooting operational problems with the generator. A constant number displayed indicates the total hours of operation. Fault conditions will flash "FC" followed by a fault code number. All fault conditions are described in *Fault Detection System*.

## Access Ports

The generator is supplied with a set of identical keys. These keys fit the lock that secures the control panel access door.

### To open access door:

1. Insert key into lock of access door and turn key one quarter turn counterclockwise.
2. Remove key.

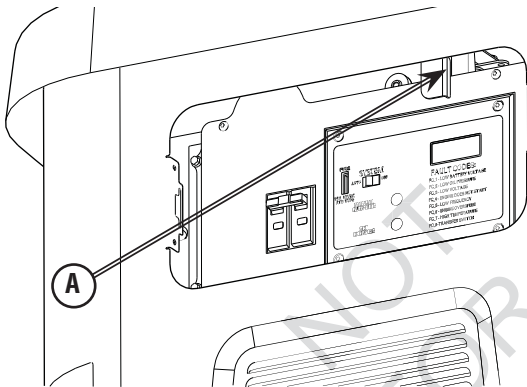
### To close access door:

1. Close control panel door and insert key into lock and turn key one quarter turn clockwise.
2. Remove key.

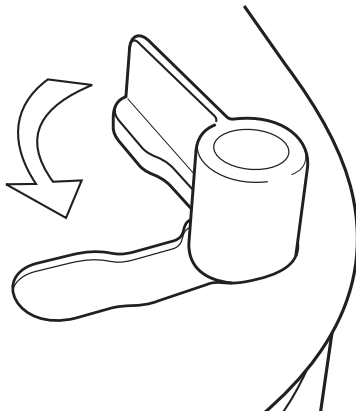
The generator is equipped with a removable roof and removable side panels to permit simple servicing.

### To remove roof and divider:

1. Open the control panel access door.
2. Set generator's circuit breaker to **OFF** position.
3. Set control panel system switch to **OFF**.
4. Remove 15 Amp fuse from control panel.



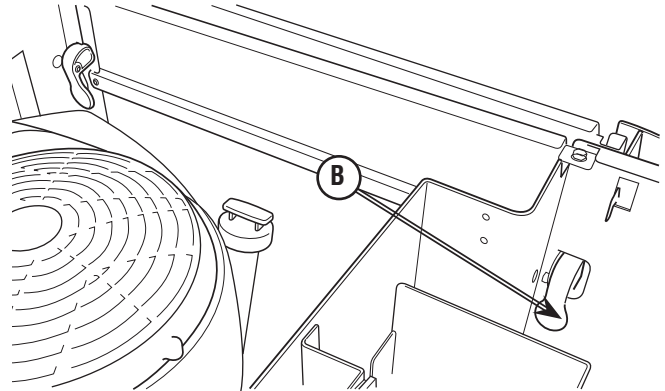
5. Move roof latch (A) to the left until roof pops up slightly.
6. Lift roof off of generator.
7. Rotate 4 knobs 1/4 turn and lift divider off.



8. Replace divider and roof in reverse order.

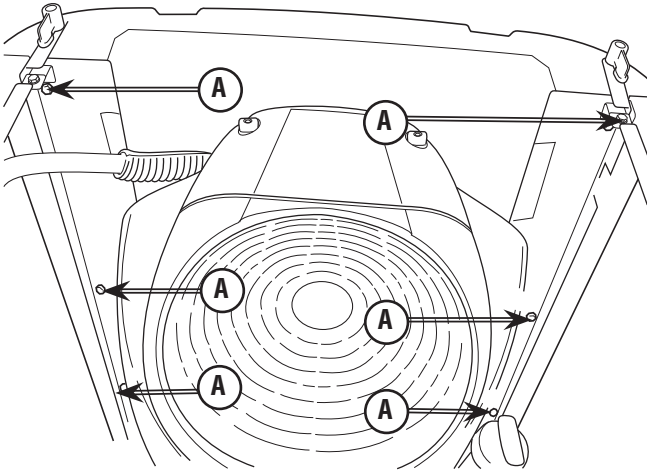
### To remove side panels:

1. Open the control panel access door.
2. Set generator's circuit breaker to **OFF** position.
3. Set control panel system switch to **OFF**.
4. Remove 15 Amp fuse from control panel.
5. Remove roof and divider.
6. Lift latches (B) up on both sides of panel to release.

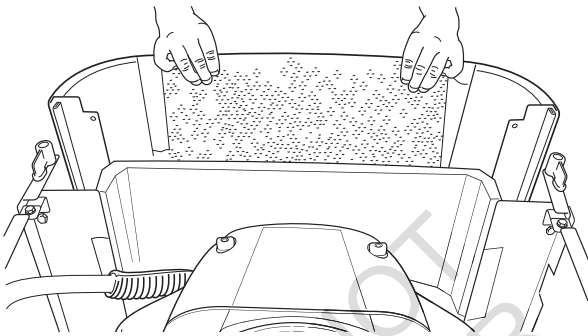


**To remove exhaust panel:**

1. Remove roof and divider.
2. Remove side panels.
3. Remove 6 screws (A) from exhaust panel.



4. Pull exhaust panel up and out of base.

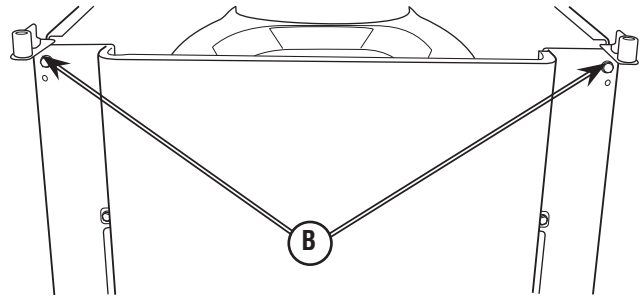


**▲ WARNING** Contact with muffler area could cause burns resulting in serious injury.



- DO NOT touch hot parts and AVOID hot exhaust gases.
- Allow equipment to cool before touching.

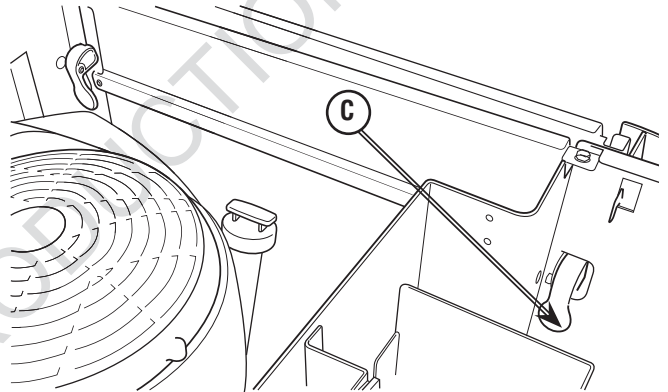
5. Remove two screws (B) and pull muffler cover off.



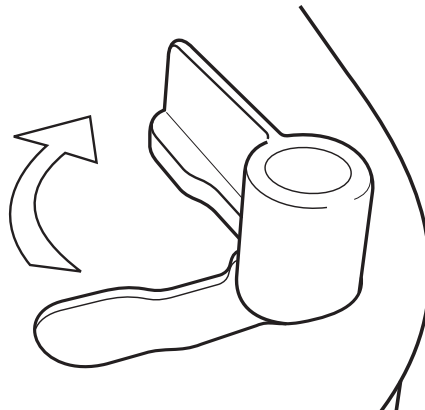
6. Replace muffler cover and exhaust panel in reverse order.

**To install side panels:**

1. Place panel in grooves and slide down in place.
2. Push latches (C) down on both sides of panel to lock into place.



3. Replace divider and rotate knobs 1/4 turn to lock in place.



4. Replace roof.



# Operation

## Important Owner's Considerations

### Engine Oil

**NOTICE** Any attempt to crank or start the engine before it has been properly serviced with the recommended oil will result in equipment failure.

- DO NOT attempt to crank or start the engine before it has been properly serviced with the recommended oil. This may result in an engine failure.
- Damage to equipment resulting from failure to follow this instruction will void generator warranty.

The engine is shipped from the factory pre-run and filled with synthetic oil (API SJ/CF 5W-30). This allows for system operation in a wide range of temperature and climate conditions. Before starting the engine, check oil level and ensure that engine is serviced as described in *Maintenance*.

### Battery

The installer must supply a rechargeable 12 volt DC starting battery. See *Battery* in *Final Installation Considerations* in the installation manual.

**▲ WARNING** Battery posts, terminals and related accessories contain lead and lead compounds, chemicals known to the State of California to cause cancer and reproductive harm. Wash hands after handling.

With the battery installed, all wiring to transfer switch and generator completed, utility power supplied to the automatic transfer switch, and the unit in **AUTO** mode, the battery receives a trickle charge while the engine is not running. The trickle charge cannot be used to recharge a battery that is completely discharged.

### 15 Amp Fuse

The generator's 15 Amp fuse is critical to correct system operation. The 15 Amp fuse was removed at the factory to prevent the unit from starting during shipping. Your installer will ensure the fuse is properly installed upon completion of the installation.

## Automatic Operation

To select automatic operation, do the following:

1. Confirm 15 Amp fuse is installed in control panel.
2. Set the main distribution panel circuit breaker that sends utility voltage to the transfer switch to **ON**.
3. Set the generator's circuit breaker to its **ON** position.
4. Set the control panel system switch to **AUTO**.

**▲ CAUTION** With the system switch set to **AUTO**, the engine could crank and start at any time without warning, resulting in minor or moderate injury.

- To prevent possible injury that may be caused by such sudden starts, always set the system switch to **OFF** if performing maintenance on the system.
- Remove the 15 Amp fuse before working on or around the generator or transfer switch.

## Checking Automatic Operation

To check the system for proper automatic operation, proceed as follows:

1. Set control panel system switch to **AUTO**.
2. Turn **OFF** the service disconnect or main distribution panel circuit breaker sending power to the automatic transfer switch.  
**When utility voltage is lost and the sensor has timed out, the engine will crank and start. Let the system go through its entire automatic operation sequence.**
3. With the generator output supplying its loads, turn **ON** the service disconnect or main distribution panel circuit breaker that supplies utility power to the automatic transfer switch.
4. The automatic transfer switch will transfer loads back to utility power after a 5 minute minimum run time and utility power is available.
5. The generator will run for an additional one minute for engine cool down, then shut down.

If utility power is restored and generator does not shut down after 10 minutes, set system switch to **OFF** and contact your installer or local service center.

This completes the test procedures for automatic operation. The generator will now start automatically and will supply power to the transfer switch when utility power is lost.



## Setting Exercise Timer

The generator is equipped with an exercise timer that will start and exercise the system once every seven days. During this exercise period, the unit runs for approximately 20 minutes and then shuts down. Electrical load transfer DOES NOT occur during the exercise cycle (unless an utility power outage occurs).

A button on the control panel is labeled "SET EXERCISE" (see System Control Panel). The specific day and the specific time of day this button is pressed is programmed into the control board memory. This date and time is then used to automatically initiate the system exercise cycle. The "SET EXERCISE" legend on the control panel will flash until the set exercise cycle is set.

### To perform the Set Exercise procedure:

1. Choose the day and time you want your generator to exercise.
2. On that day and time, press and hold "SET EXERCISE" for three seconds.  
The "Set Exercise" display will illuminate then turn off to confirm that the exercise timer has been set. Then release the button.  
The unit will crank and run the exercise cycle. During the cycle, "Set Exercise" will illuminate.  
Once the exercise cycle is complete, the unit will turn off and "Set Exercise" will no longer be displayed.  
The exercise cycle may be discontinued at anytime by turning the System Switch to **OFF**.
3. The unit will then start and run it's 20 minute exercise cycle weekly.

For example, if you press SET EXERCISE on Sunday morning at 10:00 AM, the unit will run an immediate exercise cycle and an exercise cycle every following Sunday at 10:00 AM (+/- 1/2 hour).

"Set Exercise" will only work if the unit is in the **AUTO** mode and this exact procedure is followed. The exerciser will need to be re-set if the 15 Amp fuse is removed or changed, or if the starting battery is disconnected.

If your want to change the day and time the unit exercises, simply perform the "Set Exercise" procedure at the exact weekday and time you want it to take place.

Generator will not exercise if timer is not set.

## Maintenance

### Servicing the System

Before performing any generator maintenance, always perform the following steps:

1. Set generator's circuit breaker to its **OFF** position.
2. Set control panel system switch to **OFF**.
3. Remove 15 Amp fuse from control panel.
4. **Utility voltage is present at generator control panel.** Disconnect power before servicing control panel by removing the fuses from the transfer switch.
5. After all servicing has been completed, replace fuses in transfer switch, replace 15 Amp fuse in control panel, set system switch and circuit breaker **ON** and reset exercise timer. See *Setting Exercise Timer*.

### Fault Detection System

The generator may have to run for long periods of time with no operator present. For that reason, the system is equipped with sensors that automatically shut down the generator in the event of potentially damaging conditions, such as low oil pressure, high temperature, over speed, and other conditions.

The generator's control panel has a digital display that shows fault codes, like "FC\_1". The table below lists the detected fault and the fault code as it is displayed on the control panel.

Fault Description	Fault Codes
Low battery voltage	FC_1
Low oil pressure	FC_2
Low voltage	FC_3
Engine does not start	FC_4
Low frequency	FC_5
Engine overspeed	FC_6
High temperature	FC_7
Transfer switch fault	FC_8

The remote LED indicator can be installed at a convenient inside location. The LED will remain lit when the generator is in **AUTO**. Should a system fault be detected, the LED will turn on and off in a series of blinks that identify the problem. The blink pattern is repeated with a brief pause between each series of blinks.

### Reset Fault Detection System

The operator must reset the fault detection system each time it activates. To do so, place the control panel system switch in the **OFF** position for 30 seconds or more. Remedy the fault condition, then return the generator to service by placing the system switch in the **AUTO** position, installing the 15 Amp fuse, and resetting the exercise timer. See *Setting Exercise Timer in Operation*.

A description of each fault and suggested remedies are as follows:

#### No LED - Discharged Battery

If there is a detected fault condition but the optional remote LED indicator is not blinking, this is because the battery is completely discharged. To remedy the problem, remove the 15 Amp fuse and disconnect the battery from the generator. Take the battery to a local battery store for analysis. Reinstall battery after it has been fully recharged, connecting the **NEGATIVE** cable last. Then reset the fault detection system, as described earlier.

#### Low Battery Voltage (FC\_1)

This fault is indicated by fault code FC\_1 and one blink on the remote LED indicator. This condition occurs if the generator cannot start because the starting battery output power is below that needed to crank the engine. Causes for this problem may be a faulty battery or battery charge circuit.

To remedy the problem, contact your local service center to check the battery charge output. Remove the 15 Amp fuse and disconnect the battery from the generator. Take the battery to a local battery store for analysis.

Reinstall the battery (replace if necessary - see *Battery in Final Installation Considerations* in the installation manual). Then reset the fault detection system, as described earlier.

#### Low Oil Pressure (FC\_2)

This fault is indicated by fault code FC\_2 and two blinks on the remote LED indicator. The unit is equipped with an oil pressure switch that uses normally closed contacts held open by engine oil pressure during operation. Should oil pressure drop below the 8 psi range, switch contacts close and the engine is shut down.

To remedy the low oil pressure condition, add the recommended oil to the FULL mark on the dipstick.

If the low oil pressure condition still exists, the engine will start, then shut down again. The fault code will appear and the LED will flash. In this case, contact an authorized dealer.

#### Low Voltage (Generator, FC\_3)

This fault is indicated by fault code FC\_3 and three blinks on the remote LED indicator. This condition is caused by a restriction in the fuel flow, a broken or disconnected signal lead, a failed alternator winding, the control panel circuit breaker is open, or the generator is overloaded.

To remedy the problem, contact your installer or an authorized dealer.

#### Engine Does Not Start (FC\_4)

This fault is indicated by fault code FC\_4 and four blinks on the remote LED indicator. This feature prevents the generator from damaging itself if it continually attempts to start in spite of another problem, such as no fuel supply. Each time the system is directed to start, the unit will crank for 10 seconds, pause for 10 seconds, and repeat. If the system does not begin producing electricity after approximately 2 minutes, the unit will stop cranking and the LED will blink.

Check to make sure the generator's circuit breaker is in the **ON** position in order for the sensing leads to verify that the unit is running.

The most likely cause of this problem is no fuel supply. Check the internal and external fuel shut off valves to ensure they are fully open. Other causes could be failed spark plug(s), failed engine ignition, or the engine air filter is clogged. You may need to contact your installer for assistance if you can't remedy these problems.

#### Low Frequency (FC\_5)

This fault is indicated by fault code FC\_5 and five blinks on the remote LED indicator. This feature protects devices connected to the transfer switch by shutting the generator down if the engine runs slower than 55 Hz for three seconds.

This condition is caused by a failed engine component or by excessive loads on the generator. To remedy the problem, contact your installer or an authorized dealer.

#### Engine Overspeed (FC\_6)

This fault is indicated by fault code FC\_6 and six blinks on the remote LED indicator. This feature protects devices connected to the transfer switch by shutting the generator down if the engine happens to run faster than the preset limit. The overspeed fault is detected as follows:

- If the generator output frequency is 65-70 Hz, after three seconds, the generator will shut down.
- If the generator output frequency is greater than 70 Hz, the generator will shut down immediately.

This condition is caused by a failed engine component. To remedy the problem, contact your installer or an authorized dealer.

### High Temperature (FC\_7)

This fault is indicated by fault code FC\_7 and seven blinks on the remote LED indicator. The contacts of the temperature switch are normally open. If the engine temperature exceeds approximately 149°C (300°F), the fault is detected and the engine shuts down.

Common causes for this condition include running the unit with access doors removed, obstructed air inlet or exhaust port, low oil level, or debris in the engine cylinder cooling fins.

To resolve the problem, let the engine cool down and remove any accumulated debris and obstructions. Ensure that all access doors are installed whenever the unit is running.

### Transfer Switch Fault (FC\_8)

This fault is indicated by fault code FC\_8 and eight blinks on the remote LED indicator (if transfer switch is equipped with fault detection).

The most likely cause of this fault is a blown fuse in the transfer switch. To remedy the problem, contact your installer or an authorized dealer.

## Maintenance Schedule

Follow the hourly or calendar intervals of operation, whichever occurs first.

<b>First 5 Hours</b>
Change Engine Oil
<b>Every 8 Hours or Daily</b>
Clean Debris
Check Engine Oil Level
<b>Every 100 Hours or Annually</b>
Change Air Filter
Change Engine Oil and Filter
Replace Spark Plugs
Check Valve Clearance
<b>Annually</b>
Clean Air Cooling System
Check Fuel System
Check Exhaust System
Test System Operation (Simulate a Power Outage)

When all engine servicing is complete, replace 15 Amp fuse in control panel and reset the exercise timer. See *Setting Exercise Time in Operation*.

Regular maintenance will improve the performance and extend life of the generator. See any authorized dealer for service.

**NOTICE** Once a year you should replace the spark plugs and air filter. A new spark plug and clean air filter assure proper fuel-air mixture and help your engine run better and last longer.

### Emissions Control

**Maintenance, replacement, or repair of the emissions control devices and systems may be performed by any non-road engine repair establishment or individual.**

However, to obtain “no charge” emissions control service, the work must be performed by a factory authorized dealer. See the *Emission Warranty*.

## Generator Maintenance

The generator warranty does not cover items that have been subjected to operator abuse or negligence. To receive full value from the warranty, the operator must maintain the generator as instructed in this manual.

Some adjustments will need to be made periodically to properly maintain your generator.

All service and adjustments should be made at least once each season. Follow the requirements in the *Maintenance Schedule* chart.

# Engine Maintenance

**▲ WARNING** Unintentional sparking could cause fire or electric shock resulting in death or serious injury.

## WHEN ADJUSTING OF MAKING REPAIRS TO YOUR GENERATOR

- Disconnect the spark plug wire from the spark plug and place the wire where it cannot contact spark plug.

## WHEN TESTING FOR ENGINE SPARK

- Use approved spark plug tester.
- DO NOT check for spark with spark plug removed.

## Engine Oil

This engine is filled with synthetic oil (API SJ/CF 5W-30). This allows for system operation in the widest range of temperature and climate conditions.

We recommend the use of Briggs & Stratton Warranty Certified oils for best performance. Other high-quality detergent oils are acceptable if classified for service SF, SG, SH, SJ or higher. DO NOT use special additives.

## Changing Engine Oil



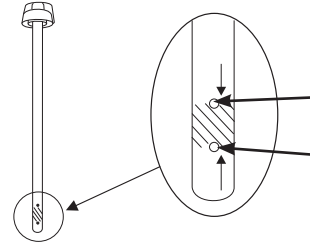
KEEP OUT OF REACH OF CHILDREN. DON'T POLLUTE. CONSERVCE RESOURCES. RETURN USED OIL TO COLLECTION CENTERS.

Change oil while the engine is still warm from running, as described in the operator's manual.

1. Set control board system switch to **OFF**.
2. Remove 15 Amp fuse from control panel.
3. Place oil drain hose into an approved container.

## Checking/Adding Engine Oil

1. Gain access to the dipstick on the engine.
2. Clean the oil fill area of any debris.
3. Remove the dipstick and wipe with a clean cloth.
4. Fully insert dipstick into oil fill.
5. Remove dipstick and check oil level. Verify oil is a FULL mark (top hole) on dipstick.



6. If needed, slowly pour recommended oil into oil fill opening. DO NOT overfill. After adding oil, wait one minute and recheck oil level.

**NOTICE** Overfilling with oil could cause the engine not to start, or hard starting.

- DO NOT overfill.
  - If over the FULL mark on dipstick, drain oil to reduce oil level to FULL mark on dipstick.
7. Replace and tighten oil dipstick.

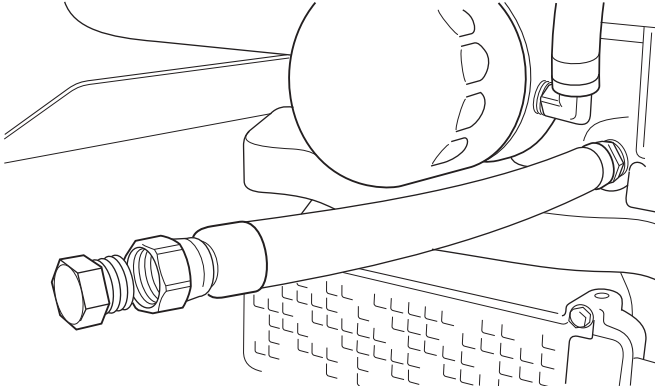
**▲ CAUTION** Avoid prolonged or repeated skin contact with used motor oil.

- Used motor oil has been shown to cause skin cancer in certain laboratory animals.
- Thoroughly wash exposed areas with soap and water.

**NOTICE** Any attempt to crank or start the engine before it has been properly serviced with the recommended oil will result in equipment failure.

- Refer to the *Maintenance* section.
- Damage to equipment resulting from failure to follow this instruction will void engine and generator warranty.

4. Remove brass fitting from end of drain hose and drain oil into an approved container.
5. When oil has drained, replace brass fitting on hose.
6. Add oil if not changing oil filter, See *Checking/Adding Engine Oil*.



## Changing Oil Filter

1. Place an approved container under oil filter.
2. Remove oil filter and dispose of properly.
3. Before installing a new oil filter, lightly lubricate the oil filter gasket with fresh, clean oil.
4. Install the oil filter by hand until the gasket contacts the oil filter adapter, then tighten the oil filter  $\frac{1}{2}$  to  $\frac{3}{4}$  turn.
5. Add oil as described in *Checking/Adding Engine Oil*.
6. Remove container from under oil filter and clean up any spilled oil.
7. Start and run engine. As engine warms up, check for oil leaks.
8. Stop engine, wait for oil to settle, check oil level and add if necessary as described in *Checking/Adding Engine Oil*.

**NOTICE** Any attempt to crank or start the engine before it has been properly serviced with the recommended oil will result in equipment failure.

DO NOT attempt to crank or start the engine before it has been properly serviced with the recommended oil. This may result in engine failure.

Damage to equipment resulting from failure to follow this instruction will void engine and generator warranty.

NOT  
FOR  
REPRODUCTION

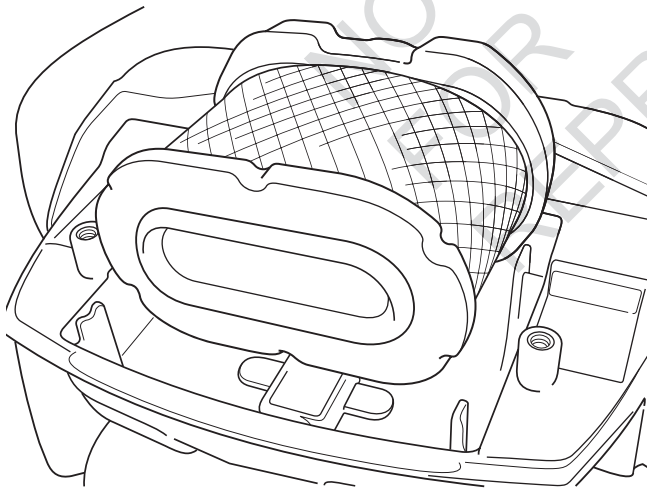
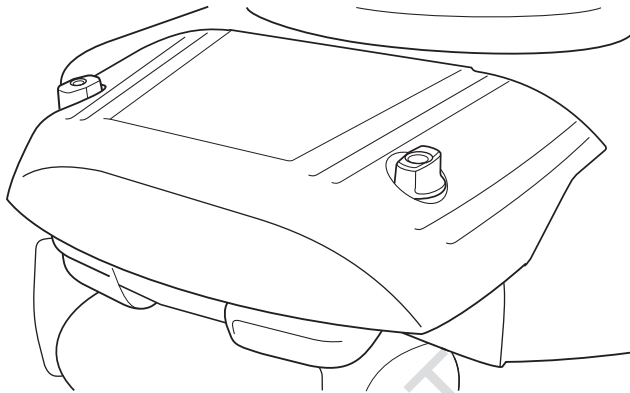
## Service Air Cleaner

Your engine will not run properly and may be damaged if you run it with a dirty air cleaner. Clean or replace more often if operating under dusty or dirty conditions.

**NOTICE** Do not use pressurized air or solvents to clean the filter. Pressurized air can damage the filter and solvents will dissolve the filter.

To service the air cleaner, follow these steps:

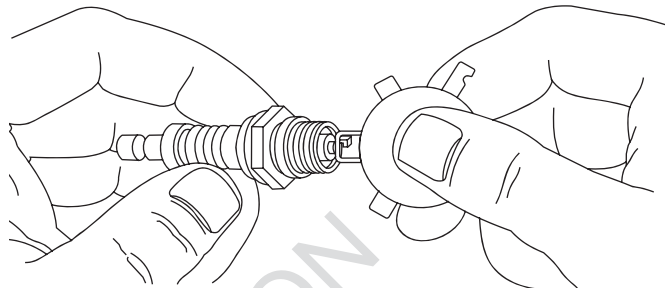
1. Loosen knobs and remove cover. Remove air cleaner by lifting the ends up and out.
2. To loosen debris, gently tap air cleaner on a hard surface. If air cleaner is excessively dirty, replace with a new air cleaner.
3. Install clean (or new) air cleaner inside base and push down until air cleaner snaps in place. See *Specifications*.
4. Reinstall cover and tighten knobs.



## Service Spark Plugs

Changing the spark plugs will help your engine to start easier and run better.

1. Clean area around spark plugs.
2. Remove and inspect spark plugs.
3. Check electrode gap with wire feeler gauge and reset spark plug gap to recommended gap if necessary (see *Specifications*).
4. Replace spark plugs if electrodes are pitted, burned or porcelain is cracked, Use the recommended replacement spark plugs. (See *Specifications*).
5. Install spark plugs and tighten to 180 in.-lbs. (20 Nm).



## Check Valve Clearance

Regular valve clearance check and adjustment will improve performance and extend engine life. The procedure cannot be done without partial engine disassembly and the use of special tools. For this reason we recommend that you have an authorized Service Dealer check and adjust valve clearance at recommended intervals (see *Maintenance Schedule* in the *Maintenance* section).



## Clean Air Cooling System

Generator maintenance consists of keeping the unit clean. Operate the unit in an environment where it will not be exposed to excessive dust, dirt, moisture or any corrosive vapors. Cooling air louvers on the enclosure must not become clogged with snow, leaves, or any other foreign material. To prevent generator damage caused by overheating, keep the enclosure cooling inlets and outlets clean and unobstructed at all times.

Check the cleanliness of the unit frequently and clean when dust, dirt, oil, moisture or other foreign substances are visible on its exterior/interior surface. Inspect the air inlet and outlet openings inside and outside the enclosure to ensure air flow is not blocked.

Over time debris may accumulate in cylinder cooling fins and cannot be observed without partial engine disassembly. Unobstructed air flow is critical for correct generator operation. For this reason, we recommend you have an authorized Service Dealer clean the cooling system per recommended intervals (see *Maintenance Schedule* in the *Maintenance* Section). Equally important is to keep top of engine free from debris. Make sure the oil cooler fins are free of dirt and debris.

**NOTICE** Improper treatment of generator could damage it and shorten its life.

- DO NOT use direct spray from a garden hose to clean generator. Water can enter the engine and generator and cause problems.
- DO NOT expose generator to excessive moisture, dust, dirt, or corrosive vapors.
- DO NOT insert any objects through cooling slots.

### Clean the generator as follows:

1. Use a damp cloth to wipe exterior surfaces clean.
2. Use a soft, bristle brush to loosen caked on dirt, etc.
3. Use a vacuum cleaner to pick up loose dirt and debris.
4. Use low pressure air (not to exceed 25 psi) to blow away dirt. Inspect cooling air slots and openings in the generator. These openings must be kept clean and unobstructed.

## Fuel System Inspection and Maintenance

### Natural Gas/Propane Fuel System

The fuel system installed on this engine has been designed to various standards to ensure performance and reliability. To ensure compliance to these standards, follow the recommended maintenance schedule contained in this section.

**NOTICE** The fuel system components have been specifically designed and calibrated to meet the fuel system requirements of the engine. If a fuel system component fails to operate or develops a leak, it should be repaired or replaced with the OEM recommended replacement parts.

### Pressure Regulator Maintenance and Inspection

- Check for any fuel leaks at the inlet and outlet fittings.
- Check for any fuel leaks in the regulator body.
- Check to ensure the regulator is securely mounted and the mounting bolts are tight.
- Check the regulator for external damage.

### Venturi/Throttle Control Device Maintenance and Inspection

**NOTICE** A dirty air cleaner may significantly alter the venturi performance.

- Leaks at all fittings.
- Ensure the venturi and throttle body are securely mounted.
- Inspect air cleaner element according to the recommended maintenance schedule found in this section.
- Inspect air inlet hose connection and clamp. Inspect hose for cracking, splitting, or chaffing. Replace if any of these conditions exist.
- Check fuel line for cracking, splitting, or chaffing. Replace if any of these conditions exist.
- Check for leaks at the throttle body and intake manifold.

### Exhaust System Maintenance and Inspection

When inspecting the exhaust system, check the following:

- Inspect exhaust manifold at the cylinder head for leaks and that all retaining bolts and shields (if used) are in place.
- Inspect muffler for exhaust leaks. Repair as necessary.



## Test System Operation (Simulate a Power Outage)

Partial disassembly and special tools are required to accurately measure voltage output and frequency. For this reason we recommend you have an authorized Service Dealer test the system operation.

1. Set the generator's system switch to **OFF**.
2. Remove the 15 Amp fuse in control panel.
3. Remove four screws that hold circuit breaker cover to air intake guard.
4. Connect an accurate voltage and frequency meter to line side of generator's main circuit breaker.
5. Set generator's main circuit breaker to **ON** (closed) position.
6. Install 15 Amp fuse in control panel.
7. Set generator's system switch to **AUTO**.
8. Turn utility power **OFF**. Once the 10 second timer has expired, the engine will crank and start.
9. The transfer switch will transfer to Generator power.
10. Apply various loads to the generator and observe its performance.
11. Exercise the generator under varying loads for 30 minutes. Monitor the output voltage and frequency of the generator to verify it's performance is within specifications.
12. Turn utility power **ON**.
13. When the load is transferred back to the utility power source, the engine cool-down timer starts timing.
14. The generator will run for about one minute to cool down, then the generator will stop.

**NOTE:** Minimum engine run time is 5 minutes. If transfer back to utility occurs before 5 minutes the generator will still run for 5 minutes.

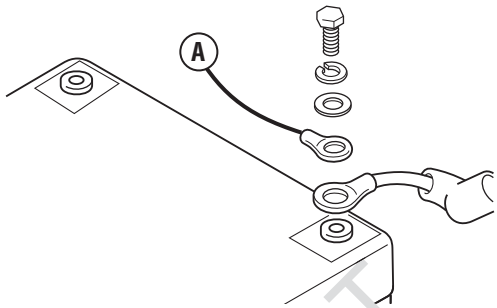
## Battery

Servicing of batteries is to be performed or supervised by personnel knowledgeable of batteries and the required precautions. Keep unauthorized personnel away from batteries.

### Servicing the Battery

If it is necessary to service the battery, proceed as follows:

1. Set control board system switch to **OFF**.
2. Remove 15 Amp fuse from control panel.
3. Service or replace battery as required. See *Battery* in *Final Installation Considerations* in the installation manual for specific battery needed.
4. Connect red battery cable to battery positive terminal (indicated by **POSITIVE, POS,** or **(+)**).
5. Connect black negative battery cable to negative battery terminal (indicated by **NEGATIVE, NEG,** or **(-)**).
6. Ensure hardware on both positive and negative battery terminals is secure.



7. Reinstall 15 Amp fuse in control panel.
8. Set generator's system switch to **AUTO**.
9. Reset exercise timer. See *Setting Exercise Timer*.



DON'T POLLUTE. CONSERVE RESOURCES, RETURN USED BATTERY TO RECYCLING COLLECTION CENTER.

### Charging the Battery

If it is necessary to charge the battery, proceed as follows:

1. Set control board system switch to **OFF**.
2. Remove 15 Amp fuse from control panel.
3. Disconnect negative battery cable from negative battery terminal (indicated by **NEGATIVE, NEG,** or **(-)**).
4. Charge battery with battery charger at 2 Amps until battery holds 12 Volts. **DO NOT** exceed 13.7 volts when charging.

**▲ WARNING** Battery posts, terminals and related accessories contain lead and lead compounds, chemicals known to the State of California to cause cancer and reproductive harm. Wash hands after handling.

**NOTICE** Failure to disconnect negative battery cable will result in equipment failure.

- **DO NOT** attempt to jump start the generator.
- Damage to equipment resulting from failure to follow this instruction will void engine and generator warranty.

**▲ WARNING** Storage batteries give off explosive hydrogen gas during recharging. Slightest spark will ignite hydrogen and cause explosion, resulting in death, serious injury and/or property damage.



Battery electrolyte fluid contains acid and is extremely caustic.

Contact with battery contents will cause severe chemical burns.

A battery presents a risk of electrical shock and high short circuit current.

- **DO NOT** dispose of battery in a fire. Recycle battery.
- **DO NOT** allow any open flame, spark, heat, or lit cigarette during and for several minutes after charging a battery.
- **DO NOT** open or mutilate the battery.
- Wear protective goggles, rubber apron, rubber boots and rubber gloves.
- Remove watches, rings, or other metal objects.
- Use tools having insulated handles.

**▲ CAUTION** With the system switch set to **AUTO**, the engine could crank and start at any time without warning, resulting in minor or moderate injury.



- To prevent possible injury that may be caused by such sudden starts, always set the system switch to **OFF** if performing maintenance on the system.
- Remove the 15 Amp fuse before working on or around the generator or transfer switch.

## When Calling for Assistance

**You must have the following information at hand if it is necessary to contact a local service center regarding service or repair of this unit:**

1. Obtain the unit Model Number and Serial Number from the unit ID label. See *Controls* for location of the label or refer to the information recorded on the inside from cover of the installation manual.
2. Obtain the engine identification numbers from the engine label. See the operator's manual for location of this information.

## Storage

The Rheem/Ruud generator system is designed for continuous backup operational duty. There is no need to take any storage precautions. However, if it becomes necessary to take the system out of service for an extended period, call Technical Services at **877-369-9400**, between 8:00 AM and 5:00 PM CT for specific recommendations.

NOT  
FOR  
REPRODUCTION

# Troubleshooting

Problem	Cause	Correction
<b>Engine is running, but no AC output is available.</b>	<ol style="list-style-type: none"> <li>1. Circuit breaker open or defective.</li> <li>2. Fault in generator.</li> <li>3. Poor wiring connections or defective transfer switch.</li> </ol>	<ol style="list-style-type: none"> <li>1. Reset or replace circuit breaker.</li> <li>2. Contact local service facility.</li> <li>3. Check and repair.</li> </ol>
<b>Engine runs good at no-load but “bogs down” when loads are connected.</b>	<ol style="list-style-type: none"> <li>1. Short circuit in a connected load.</li> <li>2. Generator is overloaded.</li> <li>3. Shorted generator circuit.</li> <li>4. Fuel Pressure is incorrect.</li> <li>5. Natural gas fuel mixture is incorrect.</li> <li>6. Kinked fuel line between regulator and engine.</li> </ol>	<ol style="list-style-type: none"> <li>1. Disconnect shorted electrical load.</li> <li>2. Turn off one or more loads.</li> <li>3. Contact local service facility.</li> <li>4. See <i>Gaseous Fuel System</i> in the Installation Manual.</li> <li>5. See <i>Gaseous Fuel System</i> in the Installation Manual.</li> <li>6. Remove kink in fuel line. Replace if necessary.</li> </ol>
<b>Engine will not start; or starts and runs rough.</b>	<ol style="list-style-type: none"> <li>1. 15 Amp fuse missing or blown.</li> <li>2. Fuel supply turned off or depleted.</li> <li>3. Thermal fuse blown.</li> <li>3. Failed battery.</li> </ol>	<ol style="list-style-type: none"> <li>1. Install (new) 15 Amp fuse. See <i>System Control Panel</i>.</li> <li>2. Open fuel valve(s); check propane tank.</li> <li>3. Replace thermal fuse.</li> <li>3. Failed battery.</li> </ol>
<b>Engine shuts down during operation.</b>	<ol style="list-style-type: none"> <li>1. Fuel supply turned off or depleted.</li> <li>2. Fault indicator blinking.</li> </ol>	<ol style="list-style-type: none"> <li>1. Check fuel valves, fill propane tank.</li> <li>2. Count blinks and refer to <i>Fault Detection System</i>.</li> </ol>
<b>Loss of power on circuits.</b>	<ol style="list-style-type: none"> <li>1. Generator circuit breaker is open.</li> <li>2. Transfer switch problems.</li> </ol>	<ol style="list-style-type: none"> <li>1. Reset circuit breaker.</li> <li>2. See the transfer switch manual.</li> </ol>
<b>Unit will not exercise weekly.</b>	<ol style="list-style-type: none"> <li>1. System Switch not on AUTO</li> <li>2. Exercise timer not set.</li> <li>3. Failed battery.</li> <li>4. 15 Amp fuse missing or blown.</li> </ol>	<ol style="list-style-type: none"> <li>1. Set System Switch to AUTO.</li> <li>2. Set exercise timer.</li> <li>3. Replace battery.</li> <li>4. Install (new) 15 Amp fuse.</li> </ol>
<b>Excessive Vibration</b>	<ol style="list-style-type: none"> <li>1. Loose mechanical fastener.</li> </ol>	<ol style="list-style-type: none"> <li>1. Check and repair or contact local service facility.</li> </ol>
<b>Odor of fuel</b>	<ol style="list-style-type: none"> <li>1. Fuel leak.</li> </ol>	<ol style="list-style-type: none"> <li>1. Turn off manual shutoff fuel valve. Contact local service facility.</li> </ol>
<b>Utility power returns, unit does not stop</b>	<ol style="list-style-type: none"> <li>1. Blown fuses in transfer switch.</li> <li>2. 5 minute minimum runtime not lapsed.</li> <li>3. Poor wire connection or defective controllers</li> </ol>	<ol style="list-style-type: none"> <li>1. Install (new) fuses.</li> <li>2. Wait 5 minutes.</li> <li>3. Check and repair or contact local service facility.</li> </ol>

## PROTECH™ Standby Generators

Models: GEN10AD GEN12AD GEN15AD GEN18AN GEN20AL

### SCOPE of WARRANTY:

- This Limited Warranty provides that a replacement will be furnished for any part of the product which fails in normal use and service during the Warranty Period specified, in accordance with the warranty's terms. The replacement part is warranted for only the unexpired portion of the original Warranty Period.

### EXCEPTIONS:

- Commercial applications are not covered.
- Units installed as prime power source are not covered.
- Installations for the purpose of life support situations are not covered.

### EFFECTIVE DATE of WARRANTY COVERAGE:

The Effective Date is the date of installation if properly documented; otherwise it is the date of manufacture plus six (6) months.

### APPLICABLE WARRANTY PERIODS

- The **GEN10AD** Standby Generators are warranted for Period of Three (3) YEARS or 1250 operating hours, whichever occurs first.
- The **GEN12AD, GEN15AD, GEN18AN, GEN20AL** Standby Generators are warranted for a Period of Four (4) YEARS or 1500 operating hours, whichever occurs first.
- **Transfer Switch and Engine warranties** are provided by the manufacturer. Refer to the respective manual.

### STANDARD PROVISIONS and CONDITIONS:

**EXCLUSIONS** - THIS WARRANTY WILL NOT APPLY: a) to damages, malfunctions or failures resulting from failure to properly install, operate or maintain the unit in accordance with the manufacturer's instructions provided; b) to damages, malfunctions or failures resulting from abuse, accident, fire, flood and the like; c) to parts used in connection with normal maintenance, such as adjustments, fuel system cleaning and obstruction due to chemical, dirt, carbon, lime and so forth; d) to units which are not installed in the United States of America or Canada; e) to units which are not installed in accordance with applicable local codes, ordinances and good trade practices; f) to damages, malfunctions or failures caused by the use of any attachment, accessory or component not authorized by the manufacturer; g) to wear items such as oil gauges, o-rings, filters fuses, or spark plugs etc.

**SHIPPING COSTS:** This Warranty does NOT cover shipping costs. You will be responsible for the cost of shipping warranty replacement parts from our factory to our distributor and from the distributor to the location of your product. You also are responsible for any shipping cost of returning the failed part to the distributor.

**SERVICE LABOR RESPONSIBILITY:** This Warranty does NOT cover any labor expenses for service, NOR for removing or reinstalling parts. All such expenses are your responsibility, unless a service labor agreement exists between you and your contractor.

**HOW TO OBTAIN WARRANTY PERFORMANCE:** You must promptly report any failure covered by this warranty to the installing contractor or distributor. Normally, the installing contractor from whom the unit was purchased will be able to take the necessary corrective action by obtaining through his distributor any replacement parts. If the contractor is not available, simply contact any other local contractor handling RHEEM, RUUD or PROTECH air conditioning products. The name and location of a local contractor can usually be found in your telephone directory or by contacting a RHEEM, RUUD or PROTECH air conditioning distributor. If necessary, the following office can advise you of the nearest distributor:

4744 Island Ford Road, Randleman, NC 27317

HOWEVER, ANY REPLACEMENTS ARE MADE SUBJECT TO VALIDATION OF IN-WARRANTY COVERAGE. An item to be replaced must be made available in exchange for the replacement.

### Limited Warranty:

**There is no other expressed warranty. Implied warranties, including those of merchantability and fitness for a particular purpose, are limited to one year from purchase, or to the extent permitted by law and all implied warranties are excluded. Liability for incidental or consequential damages are excluded to the extent exclusion is permitted by law.** Some state or countries do not allow limitations on how long an implied warranty lasts, and some states or countries do not allow the exclusion or limitation of incidental or consequential damages, so the above limitation and exclusion may not apply to you. This warranty gives you specific legal rights and you may also have other rights which vary from state to state and country to country. 202249E, Rev. D, 10/16/2009

RHEEM SALES COMPANY  
Randleman NC

"In the spirit of continuous improvement, we reserve the right to make changes without notice."

# Generator Specifications

## 12 AD

Rated Maximum Load Current\* (at 25°C/77°F, LP)\*:

at 240 Volts .....	50 Amps
Rated AC Voltage .....	240 Volts
Phase .....	Single phase
Rated Frequency .....	60 Hertz
Normal Operating Range ...	-20°F (-28.8°C) to 104°F (40°C)
Output Sound Level .....	74.5 dB(A) at 23 ft. (7 m) at full load
Shipping Weight .....	605 lb (274 kg)

---

## Engine Specifications

Displacement .....	49.42 ci. (810 cc)
Spark Plug Gap .....	0.020 in. (0.51 mm)
Spark Plug Torque .....	180 lb-in. (20 Nm)
Armature Air Gap .....	0.008 - 0.012 in. (0.20 - 0.30 mm)
Intake Valve Clearance ....	0.004 - 0.006 in. (0.10 - 0.15 mm)
Exhaust Valve Clearance .	0.009 - 0.011 in. (0.23 - 0.28 mm)
Oil Capacity .....	64 oz. (1.9 L)
Engine Oil.....	SAE 5W-30 (Synthetic)

---

## Common Service Parts

Air Filter, Oval .....	798748
Oil - Synthetic .....	100074
Oil Filter .....	492932
Resistor Spark Plug .....	692051
Long Life Platinum Spark Plug .....	5066

\*This generator is rated in accordance with UL (Underwriters Laboratories) 2200 (stationary engine generator assemblies) and CSA (Canadian Standards Association) standard C22.2 No. 100-04 (motors and generators).

### Power Rating

The gross power rating for individual gas engine models is labeled in accordance with SAE (Society of Automotive Engineers) code J1940 (Small Engine Power & Torque Rating Procedure), and rating performance has been obtained and corrected in accordance with SAE J1995 (Revision 2002-05). Torque values are derived at 3060 RPM; horsepower values are derived at 3600 RPM. Net power values are taken with exhaust and air cleaner installed whereas gross power values are collected without these attachments. Actual gross engine power will be higher than net engine power and is affected by, among other things, ambient operating conditions and engine-to-engine variability. Given the wide array of products on which engines are placed, the gas engine may not develop the rated gross power when used in a given piece of power equipment. This difference is due to a variety of factors including, but not limited to, the variety of engine components (air cleaner, exhaust, charging, cooling, carburetor, fuel pump, etc.), application limitations, ambient operating conditions (temperature, humidity, altitude), and engine-to-engine variability. Due to manufacturing and capacity limitations, Briggs & Stratton may substitute an engine of higher rated power for this Series engine.

# Manual de operario

GEN12AD-V

# Sistema generador doméstico

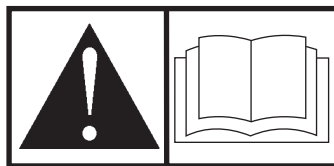
**Preguntas?**

**La ayuda es justa un momento lejos!**

**Llamada: Línea directa de generador de hogar**

**877-369-9400**

**De lunes a viernes, de 8:00 a. m. a 5:00 p. m.,  
hora estándar del centro.**





**Gracias** por adquirir este generador doméstico de reserva Rheem / Ruud de alta calidad. Nos complace que haya depositado su confianza en la marca Rheem o Ruud. Si se utiliza y mantiene conforme a las instrucciones de este manual, el generador Rheem / Ruud le ofrecerá muchos años de servicio fiable.

**Este manual contiene** información de seguridad sobre los riesgos asociados con los generadores domésticos de reserva y sobre cómo evitarlos. Dado que Rheem no conoce necesariamente todas las posibles aplicaciones de este equipo, es importante leer detenidamente y comprender las instrucciones antes de utilizar o poner en funcionamiento el equipo. Guarde estas instrucciones para futuras consultas.

**Antes de utilizar el generador doméstico de reserva, es necesario que lo instale un profesional.** El instalador deberá seguir las instrucciones al pie de la letra.

### **Dónde encontrarnos**

Nunca tendrá que buscar mucho para poder obtener soporte y servicio técnico para su equipo generador de reserva. Consulte las páginas amarillas. Hay muchos distribuidores de servicio autorizados de Rheem and Ruud que ofrecen servicio de calidad. También puede llamar al departamento de servicio al cliente de Rheem/Ruud al **877-369-9400**.

**Registre el modelo y los números de serie del generador y del motor en el manual de instalación.**

NOT  
FOR  
REPRODUCTION

Copyright © 2012 Rheem Sales Company. Reservados todos los derechos. Queda prohibida la reproducción o transmisión total o parcial de este material, sea cual sea la forma y el medio empleados para ello, sin el permiso previo y por escrito de Rheem Sales Company.

# Tabla de contenido

<b>Instrucciones importantes de seguridad</b> .....	<b>4</b>
<b>Instalación</b> .....	<b>7</b>
Orientación para el propietario .....	7
Factores relacionados con el combustible .....	8
Ubicación del generador .....	9
Inspección al momento de la entrega .....	10
<b>Controles</b> .....	<b>11</b>
Generador doméstico .....	11
Panel de control del sistema .....	12
<b>Utilización</b> .....	<b>15</b>
Consideraciones importantes para el propietario .....	15
Aceite de motor .....	15
Batería .....	15
Fusible de 15 A .....	15
Funcionamiento automático .....	15
Verificación de la operación automática .....	15
Configuración del temporizador de práctica .....	16
<b>Mantenimiento</b> .....	<b>16</b>
Paro del sistema .....	16
Sistema de detección de fallas .....	16
<b>Mantenimiento</b> .....	<b>18</b>
Mantenimiento del generador .....	18
Aceite del motor .....	19
Mantenimiento del motor .....	19
Revisión del filtro de aire .....	20
Revisión de las bujías .....	21
Comprobación de holgura de las válvulas .....	21
Mantenimiento e inspección del circuito de combustible .....	22
Mantenimiento e inspección del sistema de escape .....	23
Batería .....	24
Si llama a la fábrica .....	25
Almacenamiento .....	25
<b>Resolución de problemas</b> .....	<b>26</b>
<b>Garantía</b> .....	<b>27</b>
<b>Especificaciones del generador</b> .....	<b>28</b>
<b>Especificaciones del motor</b> .....	<b>28</b>

# Conserve estas instrucciones

## Instrucciones importantes de seguridad

GUARDE ESTAS INSTRUCCIONES - Este manual contiene instrucciones importantes que se deben seguir durante la instalación y el mantenimiento del generador y de las baterías.

### Símbolos sobre la seguridad y significados



Explosión



Fuego



Descarga eléctrica



Gases tóxicos



Partes en movimiento



Superficie caliente



Arranque automático



Presión explosiva



Quemaduras química



Peligro al elevar



Lea el manual

▲ El símbolo de alerta de seguridad indica un posible riesgo para su integridad física. Se utiliza una palabra de señalización (PELIGRO, ADVERTENCIA o ATENCIÓN) junto con el símbolo de alerta para designar un grado o nivel de gravedad de riesgo. Se puede utilizar un símbolo de seguridad para representar el tipo de riesgo. La palabra de señalización *AVISO* se utiliza para hacer referencia a una práctica no relacionada con una lesión física.

▲ **PELIGRO** indica un riesgo que, de no evitarse, *provocará* la muerte o lesiones de gravedad.

▲ **ADVERTENCIA** indica un riesgo que, de no evitarse, *podría provocar* la muerte o lesiones de gravedad.

▲ **ATENCIÓN** indica un riesgo que, de no evitarse, *podría provocar* lesiones leves o moderadas.

**AVISO** hace referencia a una práctica no relacionada con una lesión física.

El fabricante no puede prever todas las posibles circunstancias que pueden implicar riesgos. Por lo tanto, las advertencias que aparecen en este manual y las etiquetas y calcomanías adheridas a la unidad no incluyen todas las posibilidades. Si aplica un procedimiento, método de trabajo o técnica de operación no recomendada específicamente por el fabricante, debe estar seguro de que se trata de una práctica segura para usted y para otras personas. También debe asegurarse de que el procedimiento, método de trabajo o técnica de operación que elija, no haga que el generador se torne inseguro.

▲ **ADVERTENCIA** Los motores en funcionamiento emiten monóxido de carbono, un gas tóxico, inodoro e incoloro. La inhalación de monóxido de carbono puede provocar lesiones graves, dolor de cabeza, fatiga, mareos, vómitos, confusión, convulsiones, náuseas, desmayos o incluso la muerte.

- Haga funcionar este producto **ÚNICAMENTE** a la intemperie en una zona en donde no se acumulen gases de escape mortales.
- Evite que los gases de escape entren por ventanas, puertas, tomas de aire de ventilación, ventilaciones en plafones, entresuelos, puertas de garaje abiertas u otras aberturas que permitan que entre o se arrastre dentro de un edificio o estructura que pueda estar habitado.
- Los detectores del monóxido de carbono deben ser instalados y deben ser mantenidos dentro según las instrucciones del fabricante recomendaciones. Los detectores de humo no pueden discernir gas de monóxido de carbono.

▲ **ADVERTENCIA** El escape del motor de este producto contiene elementos químicos reconocidos en el Estado de California por producir cáncer, defectos de nacimiento u otros daños de tipo reproductivo.

▲ **ADVERTENCIA** Determinados componentes en este producto y los accesorios relacionados contienen sustancias químicas declaradas cancerígenas, causantes de malformaciones, y otros defectos congénitos por el Estado de California. Lávese las manos después de manipular estos elementos.

**⚠ ADVERTENCIA** Los generadores producen un voltaje muy poderoso.



Si no hace tierra apropiadamente con un generador, puede hacer que ocurra un electrocutamiento.

Si no aísla el generador de utilidades de energía, puede hacer que los trabajadores de electricidad sufran heridas graves e inclusive la muerte, debido a la retroalimentación de la energía eléctrica.

- Cuando use un generador como poder de energía auxiliar, notifique a la compañía de utilidades.
- NO toque los cables pelados ni las tomas expuestas.
- NO use un generador con cables eléctricos que estén malgastados, rotos, pelados o dañados de cualquier forma.
- NO maneje el generador o cables eléctricos mientras esté parado en agua, descalzo o cuando las manos y los pies estén mojados.
- Si tiene que trabajar junto a una unidad en funcionamiento, manténgase en una superficie aislada y seca para reducir el riesgo de descarga eléctrica.
- NO permita que personas descalificadas o niños operen o sirvan al generador.
- En caso de que se produzca un accidente causado por una descarga eléctrica, cierre inmediatamente la fuente de energía eléctrica y contacta administración local. **Evite el contacto directo con la víctima.**
- A pesar del diseño seguro del sistema de generador de doméstico, si se opera este equipo en forma imprudente, si no se cumple con el mantenimiento o si se actúa con descuido, se pueden producir lesiones o la muerte.
- Permanezca siempre alerta cuando trabaje con este equipo. NUNCA trabaje con este equipo si se siente cansado física o mentalmente.
- Antes de realizar cualquier tarea de mantenimiento en el generador, desconecte primero el cable de la batería marcado como **NEGATIVE, NEG** o (-). Cuando haya terminado, vuelva a conectar el cable en último lugar.
- Después de instalar el sistema generador, puede arrancarse y comenzar a funcionar sin previo aviso cada vez que se presente una falla eléctrica. Para evitar posibles lesiones, siempre fije el conmutador del sistema en **OFF**, Y retire el fusible de 15 Amperios ANTES de realizar trabajos en el equipo.

**⚠ ADVERTENCIA** Las baterías almacenadas producen hidrógeno explosivo mientras estén siendo recargadas.



Una pequeña chispa puede encender el hidrógeno y causar una explosión.

El fluido de electrolito de la batería contiene ácido y es extremadamente cáustico.

El contacto con el fluido de la batería puede causar quemaduras químicas severas.

Las baterías presentan un riesgo de descarga eléctrica y de elevada corriente de cortocircuito.

- NO deseche la batería tirándola al fuego. Recicle la batería.
- No permita ninguna llama abierta, chispa, calor, o encienda un cigarrillo durante y por varios minutos después de haber recargado la batería.
- NO abra ni manipule la batería.
- Utilice gafas de protección, y delantal, botas y guantes de goma.
- No lleve relojes, anillos ni otros objetos metálicos.
- Utilice herramientas con mangos aislados.

**⚠ ADVERTENCIA** El Gas Natural y el Propano son extremadamente inflamables y explosivos.



El fuego o una explosión pueden causar quemaduras severas e inclusive la muerte.

- Instale el sistema de suministro de combustible de acuerdo con los códigos de gas combustible que correspondan.
- Antes de poner en servicio el sistema de generador de doméstico, se deben purgar las líneas del sistema de combustible y se debe probar si presentan pérdidas.
- Una vez instalado el sistema, se lo debe inspeccionar en forma periódica.
- NO se debe permitir que se produzca ninguna pérdida.
- NO haga funcionar el motor si se percibe olor a combustible o si existe alguna otra fuente de ignición.
- NO fume cerca del generador. Limpie en forma inmediata cualquier derrame de aceite. Asegúrese de no dejar materiales combustibles en el compartimiento del generador. Mantenga el área próxima al generador limpia y libre de desperdicios.

**⚠ ADVERTENCIA** El contacto con la zona del silenciador puede producir quemaduras graves. Los gases y el calor de escape pueden inflamar los materiales combustibles y las estructuras y provocar un incendio.



- NO toque las superficies calientes y evite los gases del escape a alta temperatura.
- Permita que el equipo se enfríe antes de tocarlo.
- NO instale el generador a menos de 1,5 metros (5 pies) de todo material combustible o estructura con muros combustibles cuya resistencia al fuego sea inferior a una hora.
- Mantenga por lo menos las distancias mínimas que se muestran en las Pautas generales de colocación para garantizar la refrigeración del generador y el espacio libre para mantenimiento adecuados.
- Utilizar el motor en un terreno boscoso, con maleza o cubierto de hierba constituye una infracción al Código de recursos públicos de California, a menos que el sistema de escape esté equipado con una pantalla apagachispas, de acuerdo a la definición de la Sección 4442, que se mantenga en buenas condiciones de funcionamiento. En otros estados o jurisdicciones federales puede haber leyes similares en vigor.  
Póngase en contacto con el fabricante, el vendedor o el distribuidor del equipo original para obtener una pantalla apagachispas diseñada para el sistema de escape instalado en este motor.
- Las piezas de recambio deben ser las mismas que las piezas originales y estar instaladas en la misma posición.

**⚠ ADVERTENCIA** El arrancador y otras piezas que rotan pueden enredar las manos, el pelo, la ropa, o los accesorios.



- NUNCA utilice el generador sin las carcasas, tapas o guardas de protección en su lugar.
- NO use ropa suelta, joyas o elementos que puedan quedar atrapados en el arranque o en otras partes rotatorias.
- Ate para arriba el pelo largo y quite la joyería.
- Antes de trabajar en el equipo, quite el fusible de 15 A del panel de control y desconecte el cable **Negativo** de la batería (**NEG** o **-**).

**⚠ ATENCIÓN** Instala el fusible se puede producir el arranque del motor.



- Tenga en cuenta que el fusible de 15 Amperios ha sido retirado del panel de control para realizar el envío.
- NO instale este fusible hasta que no se hayan completado e inspeccionado todas las conexiones de cables y tuberías.

**⚠ ATENCIÓN** Las velocidades de operación en exceso, aumentan los riesgos de heridas y daños al generador. Las velocidades excesivamente bajas incrementan la carga de trabajo del generador.

- NO cambie ninguna velocidad determinada. El generador suministra una frecuencia y un voltaje calificado cuando funciona a una velocidad determinada.
- NO modifique al generador en ninguna forma.

**AVISO** El sobrepasar la capacidad del amperaje y vataje del generador, puede dañar al generador y los aparatos eléctricos conectados al mismo

- Encienda su generador y deje que el motor se estabilice antes de conectar las cargas eléctricas.

**AVISO** El tratamiento inadecuado del generador puede dañarlo y acortar su vida productiva.

- Use el generador solamente con la finalidad para el cual fue diseñado.
- Si usted tiene alguna pregunta acerca de las finalidades de uso del generador, pregúntele a su concesionario o contacte distribuidor autorizado.
- Opere el generador solamente en superficies niveladas.
- Para la correcta operación del generador es fundamental contar con ventilación y una circulación de aire de refrigeración adecuada y que no sufra obstrucciones.
- La puerta de servicio del aceite o la del panel de control deben estar instaladas siempre que la unidad esté en funcionamiento.
- No exponga al generador a una humedad excesiva, polvo, suciedad o vapores corrosivos.
- A pesar del diseño seguro del generador doméstico, si se opera este equipo en forma imprudente, si no se cumple con el mantenimiento o si se actúa con descuido, se pueden producir lesiones o la muerte.
- Permanezca siempre alerta cuando trabaje con este equipo. NUNCA trabaje con este equipo si se siente cansado física o mentalmente.
- NUNCA encienda el motor si el filtro de aire o su cubierta han sido retirados.
- NO inserte cualquier objeto a través de las ranuras de enfriamiento.
- NUNCA utilice el generador ni ninguna de sus piezas como escalera. Si se sube sobre la unidad, sus piezas se pueden ver sobreexigidas y pueden romperse. Esto puede dar como resultado condiciones de operación peligrosas como consecuencias de la fuga de gases del escape, pérdida de combustible, pérdida de aceite, etc.
- Si los aparatos conectados se sobrecalientan, apáguelos y desconéctelos del generador.
- Apague el generador si:
  - Se pierde la salida eléctrica;
  - El equipo produce chispas, humo o emite llamas;
  - La unidad vibra de una manera excesiva.

## Instalación

Este producto está pensado para utilizarlo como un sistema de reserva doméstico opcional que proporciona una fuente alternativa de energía eléctrica con capacidad para alimentar cargas tales como sistemas de calefacción y refrigeración y sistemas de comunicaciones, que cuando dejan de funcionar a causa de una interrupción de la alimentación eléctrica de la red pueden producir incomodidades o problemas.

**AVISO** Este producto NO pertenece a la categoría de reserva de emergencia o sistema de reserva requerido por ley, según lo definido en la norma NFPA 70 (NEC).

- Los sistemas de generador de emergencia están pensados para suministrar, de manera automática, iluminación, alimentación (o ambos) en áreas designadas y equipo en caso de un fallo en el suministro normal. Los sistemas de emergencia también pueden suministrar alimentación eléctrica para funciones tales como ventilación, en los casos en los que es esencial para sostener vida, cuando una interrupción del suministro de corriente normal produciría graves peligros para la seguridad o daños a la salud.
- Los sistemas de generador de reserva requeridos por ley están previstos para suministrar alimentación de manera automática a determinadas cargas en caso de fallo en la fuente normal, lo que podría poner en peligro u obstaculizar el rescate u operaciones para apagar incendios.

Se ha realizado el máximo esfuerzo para reunir en este manual la información más precisa y actualizada. No obstante, nos reservamos el derecho de modificar, alterar o mejorar de cualquier otra forma el producto y este documento en cualquier momento y sin previo aviso.

La instalación del sistema del generador doméstico sólo la puede realizar un electricista y un fontanero con licencia vigente. Las instalaciones deben cumplir estrictamente la totalidad de los códigos, estándares de la industria, leyes y regulaciones vigentes.

## Responsabilidades del propietario

- Lea y cumpla las instrucciones incluidas en el Manual del operario.
- Siga un programa regular para mantener, cuidar y utilizar el sistema de generador de doméstico, según se especifica en el Manual del operario.
- Los detectores del monóxido de carbono deben ser instalados y deben ser mantenidos dentro según las instrucciones del fabricante recomendaciones. Los detectores de humo no pueden discernir gas de monóxido de carbono.
- Los detectores del humo deben ser instalados y deben ser mantenidos dentro según las instrucciones del fabricante recomendaciones. del monóxido de carbono no pueden discernir humo.

En caso de dudas sobre el uso de la unidad, consulte al instalador o al distribuidor o comuníquese al (877) 369-9400 entre 08:00 a. m. y 5:00 p. m., hora del centro de los EE. UU

## Responsabilidades del distribuidor/técnico instalador

- Lea y observe las reglas de seguridad.
- Instale únicamente un conector aprobado por UL que sea compatible con el generador doméstico.
- Lea y siga las instrucciones que se encuentran en este manual de instalación.
- Las instalaciones deben cumplir estrictamente con todos los códigos, regulaciones y normas industriales aplicables.
- Permita habitación suficiente por todos lados del generador para el mantenimiento y atender a.

## Orientación para el propietario

En esta sección se brinda al propietario del generador doméstico la información necesaria para lograr la instalación más rentable y satisfactoria posible.

Las ilustraciones se aplican a circunstancias típicas y están destinadas a que usted se familiarice con las opciones de instalación disponibles con su generador doméstico. El entendimiento completo de dichas opciones permite tener un control fundamental sobre el costo de la instalación y garantiza su seguridad y satisfacción final.

Los códigos locales, la apariencia, los niveles de ruido, los tipos de combustible y las distancias son los factores fundamentales a tener en cuenta cuando se realiza la negociación con el profesional que tendrá a su cargo la instalación. Recuerde que a medida que la distancia del servicio de electricidad existente y del suministro de combustible aumenta, se deberá prever una compensación en la tubería y los materiales de cableado. Esto es necesario para cumplir con los códigos locales y solucionar caídas en la tensión eléctrica y caídas en la presión del combustible gaseoso.

**Los factores antes mencionados tendrán un efecto directo sobre el precio general de la instalación del generador doméstico.**

En algunas áreas, es posible que deba obtener permisos especiales para las instalaciones eléctricas del generador doméstico, permisos de construcción para la instalación de las líneas de gas y permisos para niveles de ruido admisibles. El instalador debe verificar los códigos locales Y obtener los permisos correspondientes antes de instalar el sistema.



## Factores relacionados con el combustible

El tipo de combustible utilizado para hacer funcionar el generador doméstico es un aspecto importante que hay que tener en cuenta ya que afecta a toda la instalación. El sistema se ha probado y regulado en fábrica con gas natural o propano líquido (vapor de PL). Para el buen funcionamiento del motor, es importante tener en cuenta las siguientes directrices con relación a los factores inherentes a cada uno de los combustibles, la ubicación de la unidad y la duración de las posibles interrupciones del suministro eléctrico:

- Utilice combustible limpio y seco, libre de humedad o cualquier otro material. Si se utilizan combustibles que no cumplan con estos valores recomendados se pueden presentar problemas de funcionamiento.
- En motores preparados para funcionar a gas propano (LP), el propano comercial de grado HD5 con un nivel de energía combustible mínimo de 2500 BTU/pie cúbico con un contenido de propileno máximo del 5% y un contenido de gas butano o gases más pesados y un contenido mínimo de propano de 90%.

Los valores nominales de gas natural dependerán del combustible específico, pero por lo general se encuentran entre el 10 y el 20% por debajo de los valores nominales para PL.



**ADVERTENCIA** El Gas Natural y el Propano son extremadamente inflamables y explosivos. El fuego o una explosión pueden causar quemaduras severas e inclusive la muerte.

- Este equipo cuenta con una válvula automática de seguridad de cierre de combustible.
- No haga funcionar el equipo si la válvula de cierre de combustible no funciona o ha sido retirada.

## Disminución de la potencia a temperaturas elevadas o en lugares altos

La densidad del aire es menor en alturas elevadas, dando como resultado una menor energía disponible del motor. Específicamente, la potencia del motor disminuirá un 3.5% cada 1000 pies (300 metros) por sobre el nivel del mar y un 1% cada 10° F (5.6°C) por encima de los 77°F (25°C). Tanto usted como el instalador deben tener en cuenta estos factores cuando determinen la carga total del generador.



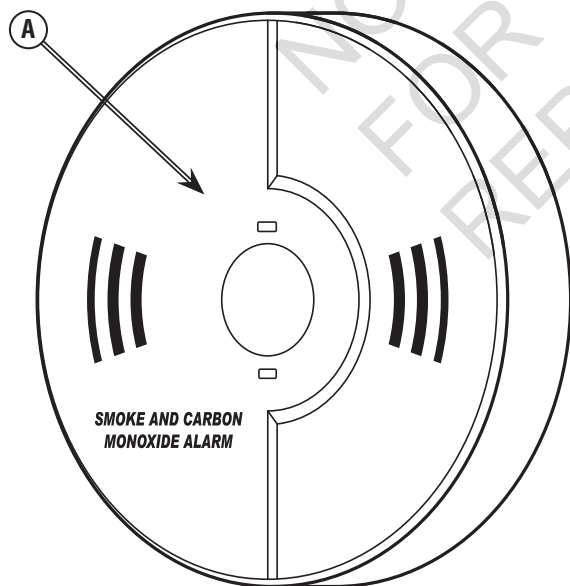
## Ubicación del generador

La ubicación física real de su generador de respaldo tiene un efecto directo en:

1. La magnitud de las conexiones necesarias para entregar combustible al generador.
2. La cantidad de cableado requerido para controlar y conectar su generador.

En el manual de instalación se analizan las pautas específicas para la ubicación. Familiarícese con esa información y consulte al instalador. Asegúrese de consultar de qué manera el predio o sitio podría afectar los costos de instalación y el cumplimiento de las normas y los códigos locales.

- Instale el generador a la intemperie en una zona en donde no se acumulen gases de escape mortales.
- NO instale el generador en lugares en los que los gases de escape se puedan acumular o entrar a un edificio o estructura que pueda estar habitado.
- En muchos estados, por ley, es necesario que en los hogares se cuente con un detector de monóxido de carbono (CO) en buenas condiciones de funcionamiento. Instale y dé mantenimiento a los detectores de CO bajo techo (A) de acuerdo con las instrucciones/recomendaciones del fabricante. El monitor de CO es un dispositivo electrónico que detecta niveles peligrosos de CO. Cuando hay acumulación de CO, el monitor alerta a los ocupantes con una luz centellante y una alarma. Las alarmas de humo no pueden detectar el gas CO.



**⚠ ADVERTENCIA** Los motores en funcionamiento emiten monóxido de carbono, un gas tóxico, inodoro e incoloro. La inhalación de monóxido de carbono puede provocar lesiones graves, dolor de cabeza, fatiga, mareos, vómitos, confusión, convulsiones, náuseas, desmayos o incluso la muerte.

- Haga funcionar este producto ÚNICAMENTE a la intemperie en una zona en donde no se acumulen gases de escape mortales.
- Evite que los gases de escape entren por ventanas, puertas, tomas de aire de ventilación, ventilaciones en plafones, entresuelos, puertas de garaje abiertas u otras aberturas que permitan que entre o se arrastre dentro de un edificio o estructura que pueda estar habitado.
- Los detectores del monóxido de carbono deben ser instalados y deben ser mantenidos dentro según las instrucciones del fabricante recomendaciones. Los detectores de humo no pueden discernir gas de monóxido de carbono.
- Asegúrese de que los gases de escape no entren por ventanas, puertas, tomas de aire de ventilación, ventilaciones en plafones, entresuelos, puertas de garaje abiertas u otras aberturas que permitan que entre o se arrastre dentro de un edificio o estructura que pueda estar habitado. La casa de los vecinos puede quedar expuesta a los gases de escape del motor de su generador de reserva; esta situación debe tomarla en cuenta al instalar su generador de reserva.

En el manual de instalación se analizan las pautas específicas para la ubicación.

**⚠ ADVERTENCIA** Los gases/calor del escape podría encender combustibles o estructuras y provocar daños materiales, lesiones graves y/o la muerte.

- En el lado de salida del escape de la caja a prueba de intemperie debe haber lo menos 1,5 m (5 pies) libres de cualquier estructura, arbusto, árbol o cualquier tipo de vegetación.
- La caja a prueba de intemperie del generador de reserva debe estar por lo menos a 1,5 m (5 pies) de las ventanas, puertas, de cualquier abertura en la pared, arbusto o vegetación que tenga más de 30,5 cm (12 pulgadas) de alto.
- La caja a prueba de intemperie del generador de reserva debe tener un espacio libre mínimo de 1,5 m (5 pies) por arriba respecto a cualquier estructura, saliente o árbol.
- NO coloque la caja a prueba de intemperie bajo una plataforma u otro tipo de estructura que pueda limitar el flujo de aire.
- UTILICE SOLAMENTE el tubo de combustible flexible de acero que se le proporcionó. Conecte al generador el tubo de combustible que se le proporcionó; NO utilice otro tubo de combustible flexible ni lo sustituya.
- Los detectores de humo deben ser instalados y deben ser mantenidos dentro según las instrucciones del fabricante recomendaciones. Las alarmas del monóxido de carbono no pueden discernir el humo.
- NO coloque la caja a prueba de intemperie en ninguna otra posición que no sea la que se indica.

## Inspección al momento de la entrega

Luego de retirar la caja, inspeccione cuidadosamente el generador doméstico para detectar cualquier daño que pudiera haber ocurrido durante el traslado.

Si en el momento de la entrega se detecta alguna pérdida o daño, solicite a la persona o personas encargadas de la entrega que dejen debida constancia en la nota de entrega y que firmen debajo de la nota del consignador donde se informa acerca de la pérdida o daño. Si la pérdida o el daño se detecta después de la entrega, separe los materiales dañados y póngase en contacto con el transportista para llevar a cabo los procedimientos de reclamo. Las piezas perdidas o dañadas no están garantizadas.

### El generador doméstico incluye lo siguiente:

- Placa de montaje fijada previamente
- Sistema de aceite/lubricante con todos los servicios.
- Acoplamiento flexible para combustible.
- Manual de instalación y arranque.
- Manual del operario.
- Llaves para puerta de acceso.
- Fusible de repuesto tipo ATO de 15 A.
- Enchufe de conexión de diez clavijas
- Enchufe de conexión de diez clavijas
- Pintura de contacto
- Cinta de sujeción de la batería
- Juego del indicador LED remoto (LED placa/tornillos)

### No incluye:

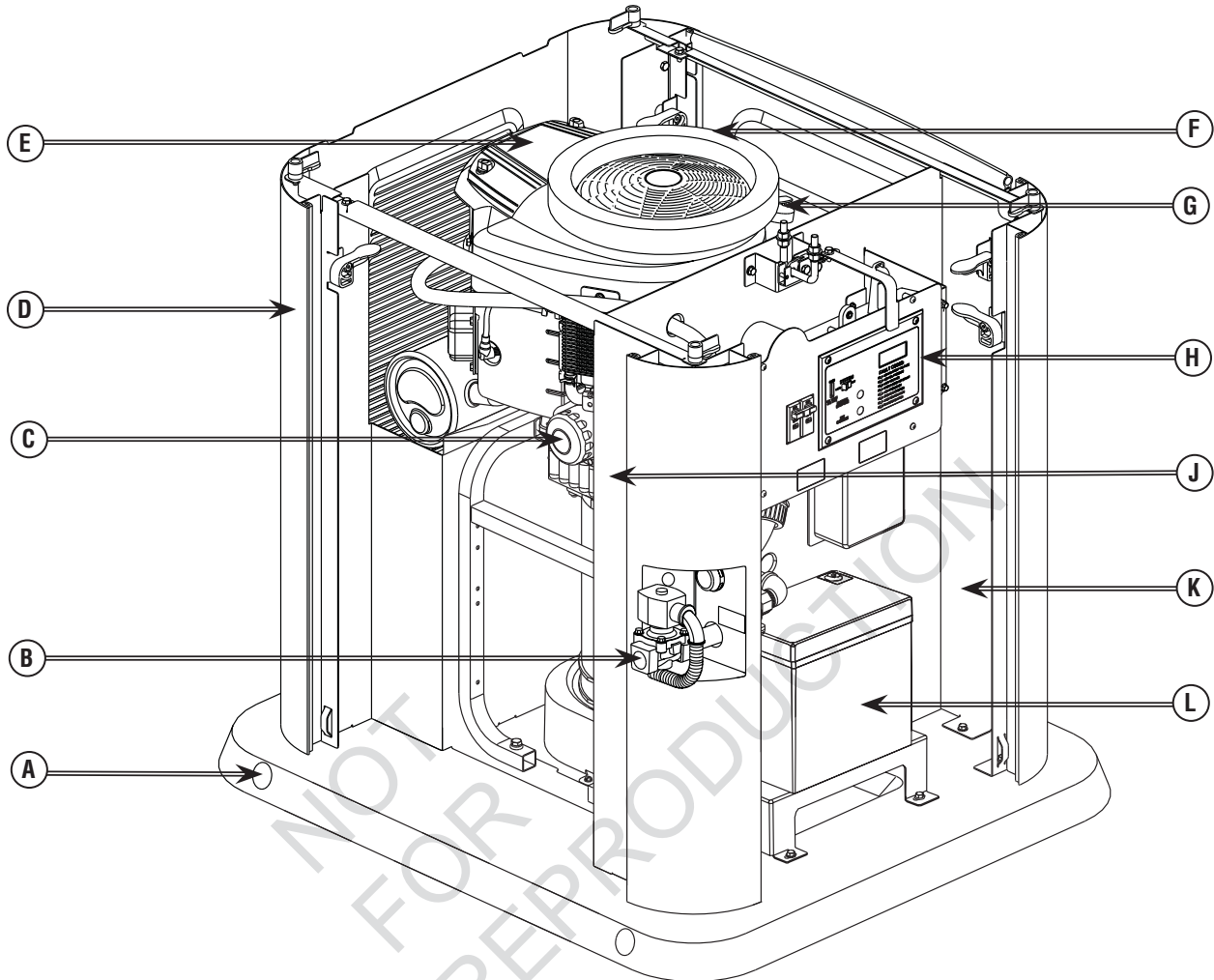
- Los detectores del monóxido(s)
- Los detectores de humo
- Batería de arranque
- Cable y conducto de conexión
- Válvulas/tubería de suministro de combustible
- Dos largos de 48 pulgada de tubo de 1 pulgada (NO tipo conducto)
- Grúa, correas, cadenas o cables de elevación
- Perforadores para acero de 16 ga.
- Destornillador de torsión, rango de 5 a 50 libras-pulgada
- Voltímetro/medidor de frecuencia
- Herramientas/equipos especiales necesarios

# Controles

## Generador doméstico



Lea este manual del operario y las reglas de **Instrucciones importantes de seguridad de operar su generador**. Compare las ilustraciones con su generador para familiarizarse con las ubicaciones de los diferentes controles y ajustes. **Conserve este manual para referencias futuras.**



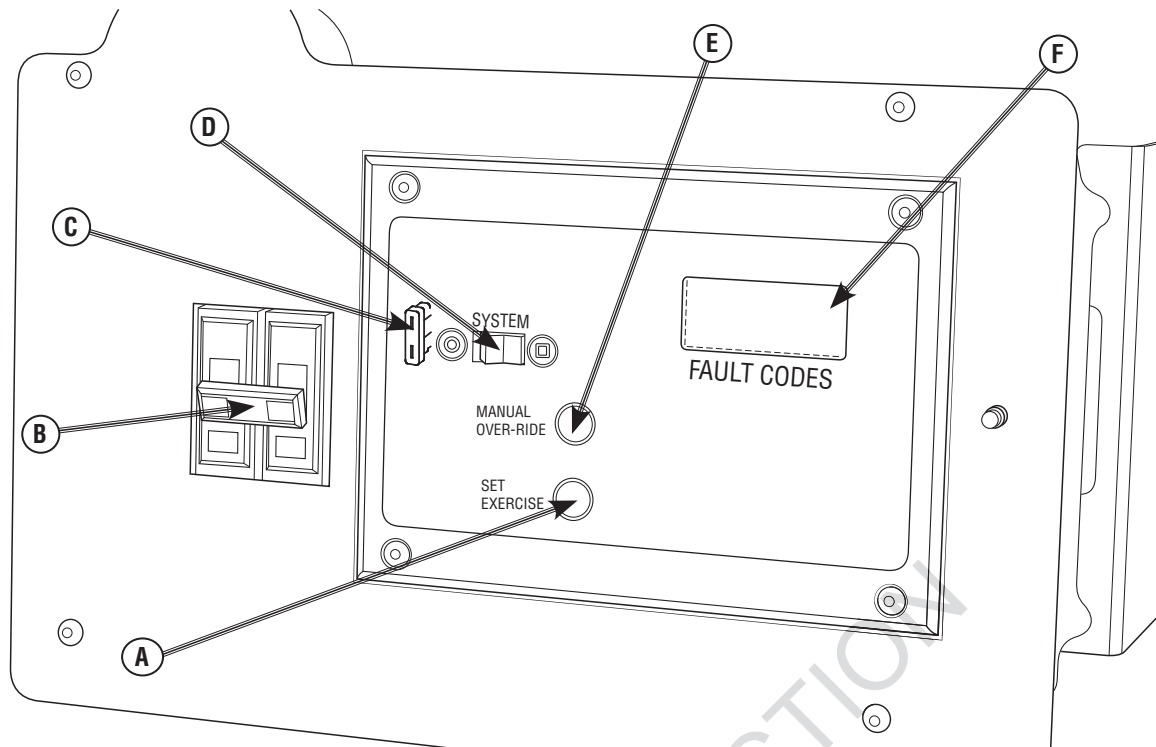
En la ilustración, el generador se muestra sin las puertas de acceso para mayor claridad.

- A - Orificios para horquilla elevadora** - Proporcionado en cada esquina para levantar el generador.
- B - Entrada de combustible/valvula de combustible**  
- Conecte una línea de suministro de combustible adecuada.
- C - Filtro de aceite** - Filtra el aceite del motor para prolongar la vida útil del sistema.
- D - Salida del escape** - Silenciador de alto rendimiento que disminuye los ruidos del motor para cumplir con los códigos necesarios para zonas residenciales.
- E - Depurador de aire** - Filtra el aire de entrada a medida que penetra en el motor.

- F - Etiqueta del motor** - Identifica el tipo y modelo del motor.
- G - Tapón de llenado y varilla de nivel de aceite** - Permite comprobar el nivel de aceite y llenar el motor.
- H - Panel de control** - Se utiliza para distintas funciones de mantenimiento, operación y prueba. Consulte la sección Panel de control del sistema.
- J - Manguera de drenaje de aceite** - Provista para facilitar el cambio de aceite. Localizado dentro de la cubierta del acceso en el entrepaño del lado.
- K - Calcomanía de datos de la unidad** - Identifica a la unidad mediante un número de serie.
- L - Batería** - (suministrados por el instalador) La batería recibe carga lenta y continua mientras el generador no está en funcionamiento.

## Panel de control del sistema

Compare esta ilustración del panel de control con su generador para familiarizarse con la ubicación de estos controles importantes:



### A - SET EXERCISE (Interruptor de configuración de práctica)

- Se utiliza para configurar la hora y el día de la semana en que se inicia el ciclo de práctica. El ciclo de práctica sólo se produce en el modo **AUTO**.

**B - Interruptor de potencia** - Protege al sistema de condiciones de cortocircuitos y otros excesos de corriente. Debe estar en la posición ON para abastecer de energía al conmutador de transferencia automático.

**C - Fusible de 15 amperios** - Protege los circuitos de control de c.c. del generador doméstico. Si el fusible está "quemado" (fundido abierto) o si se ha retirado, el motor no se puede arrancar ni arrancar manualmente en forma lenta. Cambie el fusible por otro idéntico: ATO de 15 A.

**D - Conmutador del sistema** - Este dispositivo de dos posiciones es el control más importante en el sistema. Se utiliza de la siguiente manera:

- La posición "**AUTO**" es la posición normal funcionamiento. Si se detecta una interrupción de la alimentación eléctrica de la red, el sistema hace que arranque el generador. Cuando se restablece la alimentación eléctrica de la red, el sistema espera a que se establezcan las temperaturas internas del motor,

para el generador y se pone en estado de espera para la próxima vez que se interrumpa la alimentación eléctrica.

- La posición "**OFF**" hace que se pare el generador, impide el arranque de la unidad y reinicializa cualquier fallo detectado.

**E - MANUAL OVER-RIDE (Cancelación manual)** - Con el conmutador del sistema en la posición AUTO, pulse el botón de cancelación manual durante seis segundos para poner en marcha el generador. Apague el generador, mantenga pulsado el botón de cancelación manual hasta que el motor se detenga.

**F - Pantalla digital** - Muestra el número total de horas de funcionamiento del generador y los códigos de fallo. Se utiliza para programar las tareas de mantenimiento y para resolver problemas de funcionamiento del generador de reserva doméstico. El número constante mostrado indica la cantidad total de horas de funcionamiento. En condiciones de fallo parpadea el texto "FC", seguido de un número de código de fallo. Todas las condiciones de fallo se describen en la sección Sistema de detección de fallos.

## Conseguir acceso a los Puertos

Cada generador doméstico se suministra con un juego de llaves idénticas que accionan la cerradura que asegura la puerta de acceso al panel de control.

### Para abrir la puerta de acceso:

1. Inserte la llave en la cerradura de la puerta de acceso y gire un cuarto de vuelta hacia la izquierda.
2. Retire la llave.

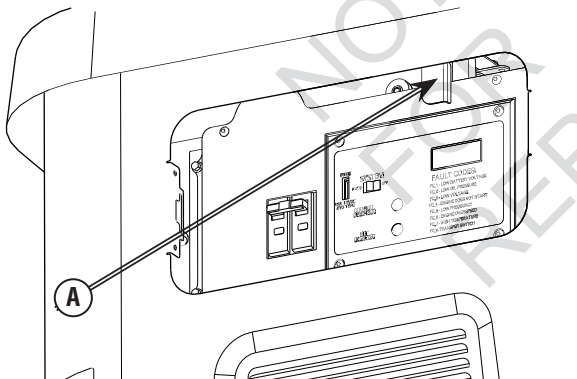
### Para cerrar la puerta de acceso:

1. Cierre la puerta del panel de control, inserte la llave en la cerradura y gire un cuarto de vuelta hacia la derecha.
2. Retire la llave.

El generador doméstico está equipado con un techo y paneles laterales desmontables, lo que permite dar un mantenimiento de manera sencilla.

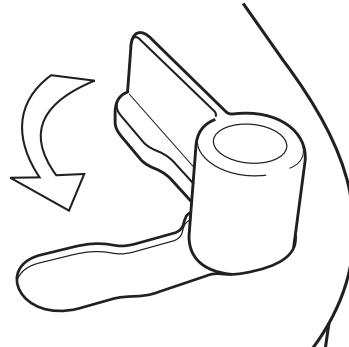
### Para desmontar el techo y el separador:

1. Abra la puerta de acceso al panel de control.
2. Ponga el disyuntor del generador en la posición **OFF**.
3. Ponga el interruptor del sistema del panel de control en **OFF**.
4. Quite el fusible de 15 A del panel de control.
5. Mueva el pestillo del techo (**A**) hacia la izquierda hasta que el techo abra ligeramente.



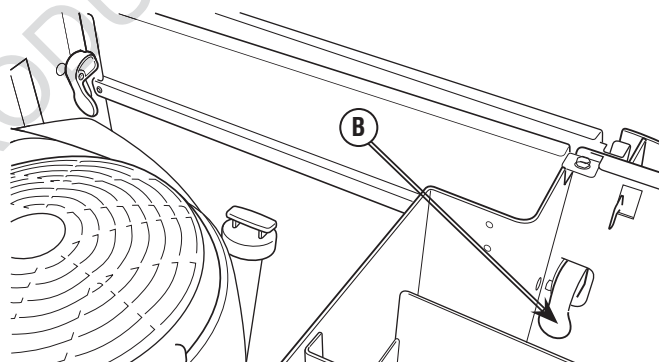
6. Levante el techo del generador.

7. Gire los 4 pomos un cuarto de vuelta y levante el separador.
8. Vuelva a colocar el separador y el techo en orden inverso.



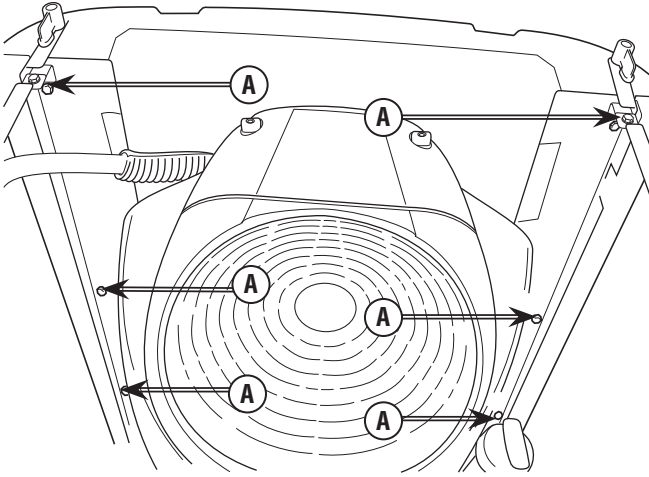
### Para desmontar los paneles laterales:

1. Abra la puerta de acceso al panel de control.
2. Ponga el disyuntor del generador en la posición **OFF**.
3. Ponga el interruptor del sistema del panel de control en **OFF**.
4. Quite el fusible de 15 A del panel de control.
5. Desmonte el techo y el separador.
6. Levante los pestillos en ambos (**B**) lados del panel para soltarlos.

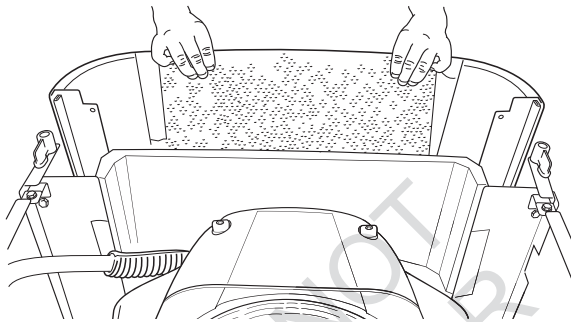


### Para desmontar el panel de escape:

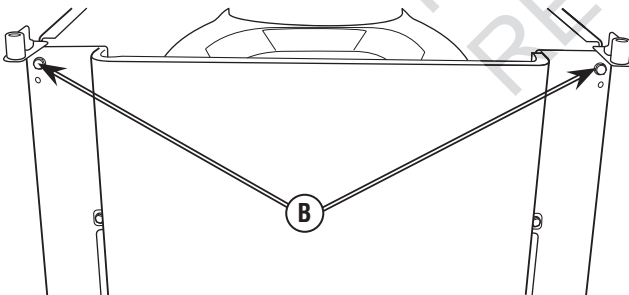
1. Desmonte el techo y el separador.
2. Desmonte los paneles laterales.
3. Quite los 6 tornillos (A) del panel de escape.



4. Tire del panel de escape hacia arriba y hacia afuera de la base.



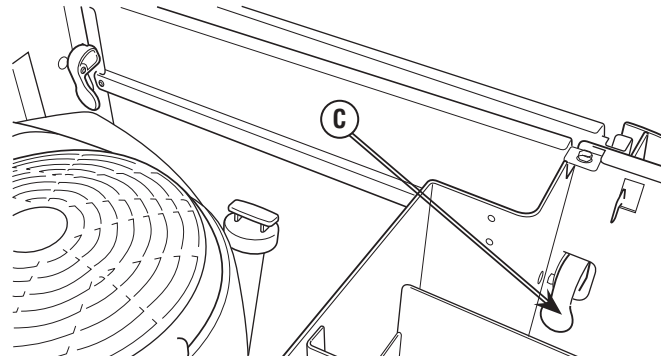
5. Quite los dos tornillos (B) y saque la cubierta del silenciador.



6. Vuelva a colocar la cubierta del silenciador y el panel de escape en orden inverso.

### Para instalar los paneles laterales:

1. Coloque el panel en las ranuras y deslícelo hacia abajo a su lugar.
2. Empuje los pestillos hacia (C) abajo en ambos lados del panel para trabarlos en su lugar.



3. Vuelva a colocar el separador y el techo.



4. Retire la llave.

**⚠ ADVERTENCIA** El contacto con la zona del silenciador puede producir quemaduras graves.



- NO toque las superficies calientes y evite los gases del escape a alta temperatura.
- Permita que el equipo se enfríe antes de tocarlo.



# Utilización

## Consideraciones importantes para el propietario

### Aceite de motor

El motor se entrega configurado en fábrica y lleno de aceite sintético (API SJ/CF 5W-30), lo que permite que el sistema funcione en la gama más amplia de condiciones de temperatura y climáticas. Antes de ponerlo en marcha, compruebe el nivel de aceite y asegúrese de que se sigan los procedimientos de mantenimiento descritos en el manual del operario.

**AVISO** Si intenta arrancar el motor antes de llenarlo con el aceite recomendados, provocará un fallo del equipo.

- Consulte la información de llenado de aceite y combustible en la sección *Mantenimiento* y en el manual del operario.
- El daño a la generador, resultado de la desatención a esta precaución, no será cubierto por la garantía.

### Batería

El instalador debe suministrar una batería de arranque de 12 V. Consulte *Batería* en *Consideraciones finales para la instalación* en el Manual de instalación.

**▲ ADVERTENCIA** Las patillas de las baterías, los terminales y los accesorios relacionados contienen plomo y compuestos de plomo - sustancias químicas declaradas cancerígenas y causantes de malformaciones congénitas por el Estado de California. Lávese las manos después de manipular estos elementos.

Estando la batería instalada y terminado todo el cableado hasta el interruptor de transferencia y el generador doméstico, al aplicar tensión de la red al interruptor automático de transferencia con la unidad en modo **AUTO**, la batería recibe una carga lenta y continua mientras el motor no está funcionando. El cargador de carga lenta no se puede utilizar para recargar una batería que esté totalmente descargada.

### Fusible de 15 A

El fusible de 15 A del generador se ha retirado en fábrica para evitar el arranque de la unidad durante el transporte. El instalador deberá asegurarse de que el fusible está bien instalado al realizar la instalación.

## Funcionamiento automático

Para seleccionar el funcionamiento automático, haga lo siguiente:

1. Compruebe que el fusible de 15 A esté instalado en el panel de control.
2. Ponga el disyuntor del panel de distribución principal que alimenta tensión de la red al conector en la posición **ON**.
3. Sitúe el interruptor del generador en la posición **ON**.
4. Ponga el conmutador del sistema del panel de control en **AUTO**.

**▲ ATENCIÓN** Con el interruptor en la posición **AUTO**, el motor puede comenzar a dar vueltas y arrancar en cualquier momento sin previo aviso.

- Para evitar posibles lesiones que pudieran ser provocadas por dichos arranques repentinos, siempre ponga el conmutador del sistema en **OFF** cuando realice operaciones de mantenimiento en el sistema.
- Retire el fusible de 15 Amperios antes de realizar trabajos en el generador, en el conmutador de transferencia o en lugares cercanos a estos equipos.

## Verificación de la operación automática

Para verificar la correcta operación automática del sistema, proceda de la siguiente manera:

1. Ponga en el seccionador de servicio o el interruptor del cuadro de distribución principal que alimenta tensión al interruptor automático de transferencia en la posición **OFF**.  
El motor comenzará a dar vueltas y arrancará cuando descienda la tensión de la red y transcurra el tiempo determinado por el temporizador. Deje que el sistema realice la secuencia completa de funcionamiento automático.
2. Con la salida del generador alimentando las cargas conectadas, ponga el seccionador de servicio o el interruptor del cuadro de distribución principal que alimenta tensión al interruptor automático de transferencia en la posición **ON**.
3. El conector automático transferirá de nuevo las cargas a la red pública después de un tiempo de funcionamiento de cinco minutos como mínimo y cuando la alimentación de la red pública esté disponible.
4. El generador seguirá funcionando durante un minuto más para que se enfríe el motor y luego se parará.

Si el generador no se para después de transcurrir diez minutos, ponga el conmutador del sistema en la posición **OFF** y póngase en contacto con el instalador o con el centro de servicio local.



## Configuración del temporizador de práctica

El generador doméstico está equipado con un temporizador de práctica que arranca el sistema y lo prueba una vez cada siete días. Durante este período de práctica, la unidad trabaja durante aproximadamente 20 minutos y luego se apaga. Durante el ciclo de práctica NO se produce la transferencia de cargas eléctricas (a menos que se produzca un corte en el suministro de la compañía proveedora de electricidad).

El panel de control incluye un botón "SET EXERCISE" (Preparar prueba) (consulte *Panel de control del sistema*). La fecha y la hora concretas en las que se pulsa dicho botón están programadas en la memoria de la tarjeta de control. Esta información se utiliza para iniciar automáticamente el ciclo de prueba del sistema. La leyenda "SET EXERCISE" del panel de control parpadeará hasta que se active el ciclo de prueba.

### Para llevar a cabo el procedimiento para configurar la práctica (Set Exercise):

1. Elija el día y la hora en que desea que se realice la práctica del generador doméstico.
2. Ese día y a esa hora, pulse y mantenga pulsado el conmutador "Set Exercise" (Preparar prueba) durante tres segundos.

La presentación de "Ejercicio de Conjunto" iluminará entonces apaga para confirmar que el reloj de ejercicio ha sido puesto. Entonces suelte el botón Fijo de Ejercicio.

La unidad acodará y correrá el ciclo de ejercicio. Durante el ciclo, Ejercicio de Conjunto iluminará.

Una vez el ciclo de ejercicio es completo, la unidad apagará y "Ejercicio de Conjunto" ya no será demostrado.

El ciclo de Ejercicio puede ser discontinuado en girando en cualquier momento el Interruptor de Sistema a **OFF**.

3. Posteriormente, la unidad arrancará y realizará su ciclo de prueba de 20 minutos semanales.

Por ejemplo, si pulsa el botón "Set Exercise" el domingo en la mañana a las 10:00 a.m., la unidad realizará un ciclo de prueba inmediato y un ciclo de prueba cada domingo a las 10:00 a.m. (+/- 1/2 hora).

La función de configuración de práctica ("Set Exercise") sólo funciona si la unidad se encuentra en el modo AUTO y si se cumple este procedimiento en forma estricta. El dispositivo de prueba deberá rearmarse si el fusible de 15 A se cambia o retira o si la batería de arranque se desconecta.

Si desea cambiar el día y la hora en que se realiza la práctica de la unidad, simplemente realice el procedimiento de configuración de práctica ("Set Exercise") exactamente el día de la semana y a la hora en que desea que se lleve a cabo. Si un tiempo de ejercicio no se ha establecido, el generador nunca ejercicio.

## Mantenimiento

### Paro del sistema

**Antes de realizar cualquier tarea de mantenimiento en el generador, siempre realice los siguientes pasos.**

1. Fije el interruptor de potencia del generador en la posición **OFF**.
2. Fije el conmutador del sistema en la posición **OFF**.
3. Quite el fusible de 15 A del panel de control.
4. **El panel de control recibe tensión de la red pública.** Desconecte la fuente de alimentación antes de dar mantenimiento al panel de control; retire los dos fusibles del conector.
5. Después de finalizar el mantenimiento, vuelva a colocar los fusibles en el conector, vuelva a colocar el fusible de 15 A en el panel de control, ponga el conmutador del sistema y el disyuntor en la posición **ON** y reinicie el temporizador de ejercicio. Consulte la sección *Configuración del temporizador de práctica* el *Utilización*.

### Sistema de detección de fallas

Puede que el generador funcione durante períodos prolongados sin presencia de un operario. Por esta razón, el sistema está equipado con detectores que apagan automáticamente el generador en condiciones de riesgo potencial para el equipo (baja presión de aceite, exceso de temperatura, exceso de velocidad, etc.).

El panel de control del generador incluye una pantalla digital que muestra los códigos de fallo, como "FC\_1". En la siguiente tabla se enumera el fallo detectado, el código de fallo tal cual se muestra en el panel de control, así como el número de destellos del LED (descritos también como 'parpadeos') mostrados en el indicador opcional LED remoto.

Descripción de la Falla	Código de fallo
Baja tensión de la batería	FC_1
Baja presión de aceite	FC_2
Baja tensión	FC_3
El motor no arranca	FC_4
Baja frecuencia	FC_5
Sobrevelocidad del motor	FC_6
Alta temperatura	FC_7
Fallo del conector	FC_8

El indicador LED remoto está situado cómodamente en el interior. El LED permanecerá encendido cuando el generador esté en la posición **AUTO**. En caso de que se detecte un fallo del sistema, el LED se encenderá y parpadeará para identificar el problema. El patrón se repite con una breve pausa entre cada serie de parpadeos.

### Restablecimiento del sistema de detección de fallas

El operador debe restablecer el sistema de detección de fallas cada vez que se activa. Para hacerlo, ponga el conmutador del sistema en la posición **OFF** durante 30 segundos o más. Vuelva a poner el generador doméstico en servicio después de corregir el problema. Para hacerlo, ponga el conmutador del sistema en la posición **AUTO**.

Posteriormente, instale el fusible de 15 A en el panel de control y reinicie el temporizador de ejercicio. Consulte la sección *Configuración del temporizador de práctica* el *Utilización*.

A continuación se describen los distintos fallos y se ofrecen sugerencias para solucionarlos:

### No se enciende el LED - Batería descargada

En caso de detectarse una condición de fallo, si el opcional LED no parpadea se debe a que la batería está totalmente descargada. Para solucionar el problema, quite el fusible de 15 A y desconecte la batería del generador. Lleve la batería a una tienda de baterías próxima para que la analicen. Vuelva a instalar la batería una vez cargada totalmente, conectando el cable **NEGATIVO** en último lugar. Entonces reajuste del temporizador de práctica, según lo descrito anterior.

### Baja tensión de la batería (FC\_1)

Este fallo se indica mediante el código de fallo FC\_1 y un parpadeo del LED. Esta situación se produce cuando el generador no puede arrancar porque la carga de la batería de arranque se encuentra por debajo de la necesaria para poner el motor en funcionamiento. Las causas de este problema podrían ser una batería defectuosa o una falla en el circuito de carga lenta.

Para solucionar el problema, póngase en contacto con el centro de servicio local para comprobar la salida de carga lenta de la batería. Quite el fusible de 15 A y desconecte la batería del generador. Lleve la batería a una tienda de baterías local para que la analicen.

Cambie la batería si es necesario; consulte *Batería* en la sección *Consideraciones finales para la instalación* en el manual de instalación. Después reinicie el sistema de detección de fallos, como se describió previamente.

### Baja presión de aceite (FC\_2)

Este fallo se indica mediante el código de fallo FC\_2 y dos parpadeos del LED remoto. La unidad esta equipada con un presostato de aceite que utiliza contactos normalmente cerrados y que se mantienen abiertos por la presión del aceite del motor durante el funcionamiento. En caso de que la presión de aceite caiga debajo del rango de 8 psi, los contactos se cierran y el motor se para.

Para solucionar el problema de baja presión de aceite, añada el aceite recomendado hasta que el nivel llegue a la marca FULL de la varilla de nivel de aceite.

Si la baja presión de aceite continúa, el motor arrancará y después volverá a pararse. El código de fallo aparecerá y el LED parpadeará. En este caso, póngase en contacto con un distribuidor autorizado.

### Baja tensión (generador, FC\_3)

Este fallo se indica mediante el código de fallo FC\_3 y tres parpadeos del LED. Esta situación puede ser debida a una restricción del caudal de combustible, un cable de señales roto o desconectado, un fallo de los devanados del alternador, el hecho de estar abierto el interruptor del panel de control o una sobrecarga del generador de reserva doméstico.

Para solucionar el problema, póngase en contacto con el centro de servicio local.

### El motor no arranca (FC\_4)

Este fallo se indica mediante el código de fallo FC\_4 y cuatro parpadeos del LED. Esta función evita que el generador se dañe si está continuamente intentando arrancar a pesar de que existe otro problema, como por ejemplo que no haya suministro de combustible. Cada vez que se da al sistema la instrucción de arrancar, la unidad realiza el arranque manual durante 10 segundos, luego hace una pausa de 10 segundos, realiza el arranque manual durante 10 segundos, hace una pausa de 10 segundos y repite la acción. Si el sistema no comienza a producir electricidad luego de aproximadamente 2 minutos, la unidad deja de realizar el arranque manual y el LED comienza a titilar.

Asegúrese de que el interruptor principal del generador está en la posición **ON** (cerrado), de forma que los cables detectores verifiquen que la unidad está en funcionamiento.

La causa más probable de este problema es la falta de suministro de combustible. Compruebe las válvulas de paso de combustible interna y externa para asegurarse de que estén totalmente abiertas. Otras causas podrían ser las bujías defectuosas, una falla en el sistema de ignición del motor o que el filtro de aire del motor esté obstruido. Es posible que deba consultar al instalador para solicitar asistencia si no logra solucionar estos problemas.

### Baja frecuencia (FC\_5)

Este fallo se indica mediante el código de fallo FC\_5 y cinco parpadeos del LED. Esta función protege los dispositivos conectados al conector desconectando el generador si el motor funciona por debajo de 55 Hz durante tres segundos. Esta condición puede debido al fallo de un componente del motor. Para solucionar el problema, póngase en contacto con el instalador o con un distribuidor de servicio autorizado.

### Sobrevelocidad del motor (FC\_6)

Este fallo se indica mediante el código de fallo FC\_6 y seis parpadeo del LED. Esta función protege los dispositivos conectados al conmutador de transferencia apagando el generador si el motor trabaja a una velocidad superior al límite preestablecido. La falla por sobrevolocidad se detecta de la siguiente manera:

- Si la frecuencia de salida del generador es 65-70 Hz, durante tres segundos, el generador se para.
- Si la frecuencia de salida del generador es más que 70 Hz, el generador se para inmediatamente.

Esta condición se debe a una falla en el regulador del motor. Para solucionar el problema, deberá consultar al instalador o a la centro de servicio local para obtener asistencia.

### Alta temperatura (FC\_7)

Este fallo se indica mediante el código de fallo FC\_7 y siete parpadeo del LED. Los contactos del interruptor de temperatura están normalmente abiertos. Si la temperatura del motor excede aproximadamente los 149°C (300° F), se detecta la falla y el motor se apaga.

Entre las causas más comunes de esta situación se encuentran la operación del motor con todas las puertas de acceso retiradas, la obstrucción de la entrada de aire o de la salida del escape o suciedad en las aletas de enfriamiento del cilindro del motor.

Para solucionar el problema, retire la suciedad acumulada o las obstrucciones y deje que el motor se enfríe. Asegúrese de que la puerta de servicio del aceite o la del panel de control se encuentren instaladas siempre que la unidad esté en funcionamiento.

### Fallo del conector (FC\_8)

Este fallo se indica mediante el código FC\_8 y ocho parpadeos del LED (si el conector dispone de sistema de detección de fallos). Para solucionar el problema, póngase en contacto con su instalador o con el centro de servicio local.

## Mantenimiento

Respete los intervalos de horas o de calendario de la operación, los que sucedan antes.

<b>Primeras 5 horas</b>
Cambio de aceite del motor
<b>Cada 8 horas o diariamente</b>
Limpieza de residuos
Comprobación de nivel de aceite del motor
<b>Cada 100 horas o una vez al año</b>
Cambio de filtro de aire
Cambio de filtro y aceite del motor
Sustitución de bujías
Comprobación de holgura de las válvulas
<b>Una vez al año</b>
Limpieza del sistema de refrigeración de aire
Comprobación del circuito de combustible
Comprobación del sistema de escape
Compruebe el funcionamiento del sistema (simule una interrupción del suministro de alimentación eléctrica)

El mantenimiento periódico mejorará el rendimiento y prolongará la vida útil del generador. Acuda a un distribuidor autorizado para dar mantenimiento a la unidad.

**AVISO** Debe sustituir las bujías y el filtro de aire una vez al año. Una bujía nueva y un filtro de aire limpio aseguran la mezcla adecuada de combustible y aire y contribuyen a mejorar el rendimiento del motor y a prolongar su vida útil. También puedes ver las líneas de combustible no presente fugas.

### Control de emisiones

**Cualquier establecimiento o persona especializada en la reparación de motores que no sean de automoción puede encargarse del mantenimiento, la sustitución o la reparación de los dispositivos y sistemas de control de emisiones.**

Sin embargo, para recibir servicio para el control de emisiones "sin cargo", un distribuidor autorizado de fábrica debe realizarlo. Consulte la sección *Garantía de emisiones*.

### Mantenimiento del generador

La garantía del generador no cubre artículos que hayan sido sometidos al abuso o negligencia por parte del operador. Para recibir el valor total de la garantía, el operador debe dar mantenimiento al sistema de acuerdo con las indicaciones del manual del operario del motor.

Para mantener el generador en buen estado, será necesario realizar algunos ajustes periódicamente.

La totalidad de las tareas de mantenimiento y los ajustes se deberán realizar al menos una vez por temporada. Siga las indicaciones del cuadro Plan de mantenimiento.

## Mantenimiento del motor

**⚠ ADVERTENCIA** Las chispas involuntarias podrían provocar incendios o electrocución que pueden provocar lesiones graves o la muerte.

### CUANDO AJUSTE O HAGA REPARACIONES A SU MÁQUINA GENERADOR

- Siempre desconecte el alambre de la bujía y colóquelo donde no pueda entrar en contacto con la bujía.

### CUANDO PRUEBE LA BUJÍA DEL MOTOR

- Utilice un comprobador de bujías homologado.
- NO compruebe la chispa sin la bujía instalada.

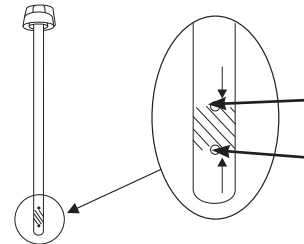
## Aceite del motor

El sistema se llene con el aceite sintético recomendado (API SJ/CF 5W-30). Esta medida facilita hacer funcionar el sistema en una amplia gama de condiciones de temperatura y climáticas.

Se recomienda el uso de aceites certificados y garantizados Briggs & Stratton para obtener el mejor rendimiento. Otros aceites detergentes de alta calidad son aceptables si cuentan con la clasificación de servicio SF, SG, SH, SJ o superior. NO utilice aditivos especiales.

## Comprobación/adición de aceite para motor

1. Desmonte el techo y el separador.
2. Limpie cualquier residuo del área de llenado de aceite.
3. Quite la varilla de nivel de aceite y límpiela con un trapo limpio.
4. Inserte hasta el fondo la varilla de nivel en el orificio de llenado de aceite.
5. Saque la varilla y compruebe el nivel de aceite.



Compruebe que el aceite llegue hasta la marca Full (lleno) de la varilla de nivel.

6. Si es necesario, vierta lentamente el aceite sintético recomendado en el orificio de llenado de aceite. NO llene en exceso. Después de añadir el aceite, espere un minuto y vuelva a comprobar el nivel de aceite.

**AVISO** El llenado de aceite en exceso podría impedir el arranque del motor o provocar dificultades de arranque.

- NO llene en exceso.
  - Si el nivel de aceite está por encima de la marca FULL de la varilla de nivel, drene algo de aceite para reducir el nivel hasta la marca FULL de la varilla.
7. Vuelva a colocar la varilla de nivel de aceite y ajústela en su posición.

**⚠ ATENCIÓN** Evite el contacto prolongado o repetido de piel con aceite usado de motor.

- El aceite usado del motor ha sido mostrado al cáncer de la piel de la causa en ciertos animales del laboratorio.
- Completamente lavado expuso áreas con el jabón y el agua.

**AVISO** Si intenta arrancar el motor antes de llenarlo con el aceite recomendados, provocará un fallo del equipo.

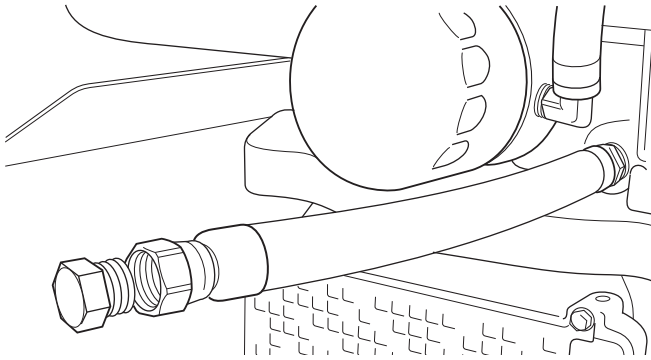
- Consulte la información de llenado de aceite y combustible en la sección *Mantenimiento* y en el manual del operario.
- El daño a la generador, resultado de la desatención a esta precaución, no será cubierto por la garantía.

## Cambio de aceite del motor



MANTENER FUERA DEL ALCANCE DE LOS NIÑOS.  
NO CONTAMINE. CONSERVE LOS RECURSOS.  
DEPOSITE EL ACEITE USADO EN UN PUNTO DE  
RECOGIDA.

1. Sitúe el conmutador del sistema del generador en la posición OFF.
2. Quite el fusible de 15 A del panel de control.
3. Coloque la manguera de vaciado de aceite en un recipiente homologado.
4. Retire el accesorio de latón del extremo de la manguera de vaciado.
5. Cuando haya vaciado todo el aceite, vuelva a colocar el accesorio de latón en la manguera.
6. Agregue el aceite si no que cambia el filtro de aceite. Comprobación/adición de aceite para motor.



NO CONTAMINE. CUIDE LOS RECURSOS, LLEVE  
LA BATERÍA USADA A UN CENTRO DE  
RECOLECCIÓN PARA RECICLAJE.

## Cambio del filtro de aceite

1. Coloque un recipiente aprobado debajo del filtro de aceite.
2. Quite el filtro de aceite y deséchelo según la normativa vigente.
3. Antes de instalar un filtro de aceite nuevo, lubrique ligeramente la junta del filtro de aceite con aceite limpio y nuevo.
4. Instale el filtro de aceite manualmente hasta que la junta entre en contacto con el adaptador del filtro de aceite, luego apriete el filtro de aceite de media a tres cuartos de vuelta.
5. Añada el aceite según se describe en la sección Comprobación/adición de aceite para motor.
6. Retire el recipiente de debajo del filtro y limpie bien el aceite que se haya derramado.
7. Arranque y ponga en marcha el motor. A medida que el motor se caliente, compruebe que no haya fugas de aceite.

8. Pare el motor, espere a que el aceite se asiente, compruebe el nivel de aceite y añada aceite si es necesario, según se describe en la sección Comprobación/adición de aceite para motor.

**AVISO** Si intenta arrancar el motor antes de llenarlo con el aceite recomendados, provocará un fallo del equipo.

- NO intente arrancar o poner en marcha el motor antes de llenarlo con el aceite recomendado. Esto puede provocar una avería en el motor.

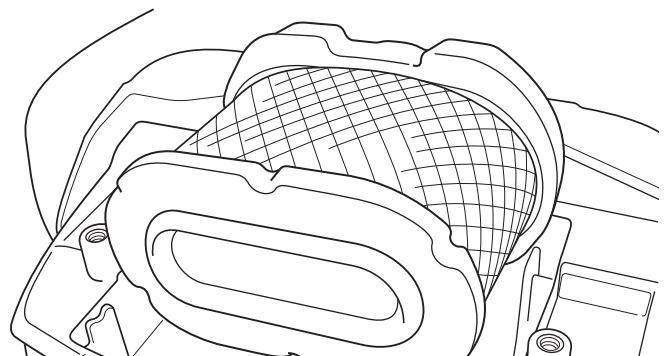
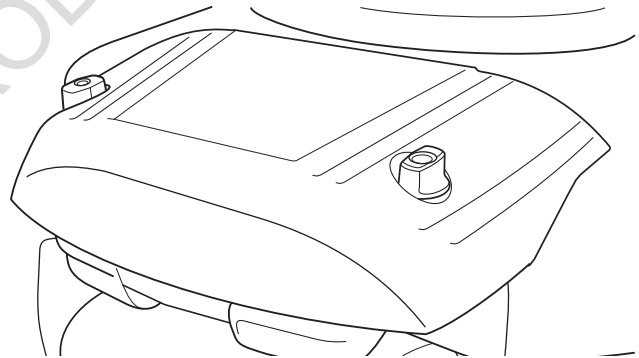
El daño a la generador, resultado de la desatención a esta precaución, no será cubierto por la garantía.

## Revisión del filtro de aire

El motor no funcionará correctamente y puede sufrir daños si se utiliza con un filtro de aire sucio. La limpieza y el cambio deberán ser más frecuentes si trabaja en zonas sucias o donde hay polvo.

Para dar servicio al filtro de aire, siga estos pasos:

1. Afloje los pomos y quite la cubierta. Quite el filtro de aire tirando el extremo hacia arriba y hacia afuera.
2. Golpee ligeramente el filtro de aire contra una superficie dura para desprender los residuos. Si el filtro de aire está excesivamente sucio, cámbielo por otro nuevo.
3. Instale el filtro de aire limpio (o uno nuevo) dentro de la base y empújelo hacia abajo hasta que encaje en su posición. Consulte la sección Especificaciones.
4. Vuelva a instalar la cubierta y apriete los pomos.

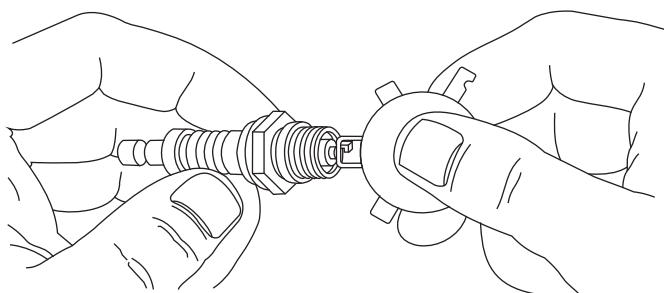




## Revisión de las bujías

El cambio de bujías hará que el motor arranque más fácilmente y funcione mejor.

1. Limpie la zona alrededor de las bujías.
2. Retire y examine las bujías.
3. Compruebe la distancia entre electrodos con un calibre y, si es necesario, cámbiela a la distancia recomendada (consulte la sección Especificaciones).
4. Cambie las bujías si los electrodos están picados o quemados o si la porcelana está agrietada. Utilice las bujías de repuesto recomendadas. Consulte la sección Especificaciones.
5. Instale las bujías a 20 Nm (180 in / lbs).



## Comprobación de holgura de las válvulas

La comprobación y el ajuste periódicos de la holgura de la válvula mejorará el rendimiento y prolongará la vida útil del motor. Este procedimiento requiere el desmontaje parcial del motor y el uso de herramientas especiales. Por este motivo, recomendamos que encargue la comprobación y el ajuste de holgura de las válvulas a un distribuidor autorizado en los intervalos recomendados (consulte el *Plan de mantenimiento en la sección Mantenimiento*).

## Limpieza del sistema de refrigeración de aire y de las aletas de refrigeración de aceite

El mantenimiento del generador consiste en conservar la unidad limpia y seca. Opere y almacene la unidad en un ambiente limpio y seco donde no será expuesta al polvo, suciedad, humedad o vapores corrosivos. Las ranuras del aire de enfriamiento del generador no deben estar tapadas con nieve, hojas, o cualquier otro material extraños.

Verifique que la unidad sea limpiada con frecuencia y lávela cuando observe polvo, suciedad, aceite, humedad u otras sustancias extrañas en la superficie exterior.

NO recomendamos el uso de mangueras de jardín para limpiar el generador. El agua podría introducirse en el motor y causar problemas.

Con el tiempo, se pueden acumular residuos en las aletas de refrigeración del cilindro y pasar inadvertidos mientras no se desmonte parcialmente el motor. Es muy importante mantener despejado el flujo de aire para que el generador funcione correctamente. Por este motivo, recomendamos que encargue la limpieza del sistema de refrigeración a un distribuidor autorizado de servicio siguiendo los intervalos recomendados (consulte el *Plan de mantenimiento* en la sección *Mantenimiento*). Es igualmente importante que no se acumulen residuos en el motor. Asegúrese de que no haya suciedad ni residuos en las aletas de refrigeración de aceite. También consulte la sección Limpieza.

**AVISO** Un manejo inadecuado del generador puede estropearlo y acortar su vida útil.

- NO exponga el generador a exceso de humedad, polvo, suciedad o vapores corrosivos.
- NO inserte ningún objeto por las ranuras de refrigeración.

### Limpie el generador de la siguiente manera:

1. Ponga el interruptor del sistema de la tarjeta de control en la posición **OFF**.
2. Quite el fusible de 15 A del panel de control.
3. Limpie el generador según se requiera.
  - Utilice un trapo húmedo para limpiar las superficies exteriores.
  - Utilice un cepillo de cerdas suaves para eliminar, por ejemplo, la suciedad endurecida.
  - Utilice una aspiradora para eliminar los restos sueltos de suciedad.
  - Utilice aire a baja presión (no superior a 25 psi) para eliminar la suciedad. Examine las ranuras y aberturas de refrigeración de aire del generador. Las aberturas deben estar limpias y despejadas.
4. Vuelva a instalar el fusible de 15 A en el panel de control.
5. Coloque el interruptor del sistema del generador en **AUTO**.
6. Reinicialice el temporizador de ejercicio. Consulte *Ajuste del temporizador de ejercicio*.

## Mantenimiento e inspección del circuito de combustible

### Circuito de combustible de gas natural/propano

El circuito de combustible instalado en este motor industrial fue diseñado según diversos estándares para asegurar el rendimiento y la fiabilidad. A fin de garantizar que se cumplan dichos estándares, siga el programa de mantenimiento recomendado que aparece en esta sección.

### Mantenimiento e inspección del regulador de presión

**AVISO** Los componentes del regulador de presión han sido diseñados y calibrados específicamente para cumplir con los requisitos del circuito de combustible del motor.

Cuando inspeccione el regulador, verifique los siguientes elementos:

- Compruebe que no haya ninguna fuga de combustible en los acoplamientos de entrada y salida.
- Revise que no haya ninguna fuga de combustible en el cuerpo del regulador.
- Verifique y asegúrese de que el regulador esté colocado de manera segura y de que los pernos de montaje estén apretados.
- Compruebe que el regulador no presente daño externo.

### Mantenimiento e inspección del dispositivo de control del inyector tipo Venturi/acelerador

**AVISO** Los componentes del cuerpo del inyector tipo Venturi y del acelerador han sido diseñados y calibrados específicamente para cumplir con los requisitos del circuito de combustible del motor.

- Que no haya fugas en los acoplamientos.
- Asegúrese de que el cuerpo del inyector tipo Venturi y del acelerador estén colocados de manera segura.
- Inspeccione el elemento del filtro de aire de acuerdo con el programa de mantenimiento recomendado que aparece en esta sección.
- Inspeccione la conexión y la abrazadera de la manguera de entrada de aire. Revise que la manguera no tenga grietas, fisuras ni desgaste. Cámbiela si se presenta cualquiera de estas condiciones.
- Compruebe que las líneas de combustible no tengan grietas, fisuras ni desgaste. Cámbielas si se presenta cualquiera de estas condiciones.
- Compruebe que el cuerpo del acelerador y el colector de admisión no tengan fugas



## Mantenimiento e inspección del sistema de escape

Cuando inspeccione el sistema de escape, verifique lo siguiente:

- Inspeccione que no haya fugas en el colector del escape en la cabeza del cilindro y que todos los pernos de fijación y las protecciones (si se usan) estén en su lugar.
- Revise los elementos de fijación del conector al tubo de escape para asegurarse de que estén apretados y de que no haya fugas en el escape. Repare según sea necesario.
- Verifique que la conexión del tubo de escape no tenga fugas. Repare si es necesario.

## Compruebe el funcionamiento del sistema (simule una interrupción del suministro de alimentación eléctrica)

Para medir de manera precisa la salida de voltaje y la frecuencia, se requieren herramientas especiales y el desmontaje parcial del sistema. Por este motivo recomendamos que un distribuidor de servicio autorizado sea quien compruebe el funcionamiento del sistema.

1. Coloque el interruptor del sistema del generador en OFF.
2. Quite el fusible de 15 A ubicado en el panel de control.
3. Quite los cuatro tornillos que sujetan la tapa del disyuntor principal a la protección de la admisión de aire.
4. Conecte un medidor de precisión de voltaje y frecuencia al lado de línea del disyuntor principal del generador.
5. Ponga el disyuntor principal del generador en la posición ON (cerrado).
6. Instale el fusible de 15 A en el panel de control.
7. Coloque el interruptor del sistema del generador en **AUTO**.
8. Corte el suministro de alimentación de la red pública. Cuando el temporizador de 10 segundos haya expirado, el motor comenzará a dar vueltas y arrancará.
9. El conector hará la transferencia al suministro de alimentación del generador.
10. Aplique distintas cargas al generador y observe su rendimiento.
11. Haga funcionar el generador con distintas cargas durante 30 minutos. Monitoree el voltaje de salida y la frecuencia del generador para verificar que su rendimiento se encuentre dentro de las especificaciones.
12. Active el suministro de alimentación de la red pública.
13. Cuando la carga se transfiere de vuelta a la fuente del suministro de alimentación de la red pública, comienza el conteo regresivo del temporizador de enfriamiento del motor.
14. El generador seguirá funcionando aproximadamente durante un minuto para que se enfríe y luego se detendrá.

**NOTA** El tiempo mínimo de funcionamiento del motor es de 5 minutos. Si la transferencia de vuelta al suministro de alimentación de la red pública ocurre antes de que hayan transcurrido 5 minutos, el generador seguirá funcionando hasta completar los 5 minutos.

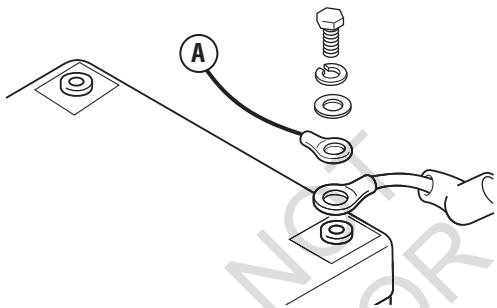
## Batería

Atender a de baterías es de ser realizado o para ser supervisado por el personal informado de baterías y las precauciones necesarias. Mantenga el personal no autorizado lejos de baterías.

### Servicio la batería

Si es necesario realizar el servicio de la batería, proceda de la manera siguiente:

1. Fije el conmutador del sistema del generador en la posición **OFF**.
2. Quite el fusible de 15 A del panel de control.
3. Dé mantenimiento o cambie la batería si es necesario. Consulte *Batería* en la sección *Consideraciones finales para la instalación* en el manual de instalación para obtener información sobre la batería específica necesaria.
4. Conectar el conductor rojo de la batería al terminal positivo de la misma (marcado como **POSITIVE**, **POS**, o **(+)**).



5. Conecte el conductor negro de la batería al terminal negativo (marcado como **NEGATIVE**, **NEG** ó **(-)**).
6. Compruebe que los elementos de fijación en los terminales negativo y positivo de la batería están perfectamente apretados.
7. Instale el fusible de 15 A en el panel de control.
8. Fije el conmutador del sistema del generador en la posición **AUTO**.
9. Reinicialización del temporizador de prueba. Consulte *Configuración del temporizador de práctica*.

**▲ ADVERTENCIA** Las patillas de las baterías, los terminales y los accesorios relacionados contienen plomo y compuestos de plomo - sustancias químicas declaradas cancerígenas y causantes de malformaciones congénitas por el Estado de California. Lávese las manos después de manipular estos elementos.

## Cargar la batería

Si es necesario realizar el cargar de la batería, proceda de la manera siguiente:

1. Fije el conmutador del sistema del generador en la posición **OFF**.
2. Quite el fusible de 15 A del panel de control.
3. Desconecte el cable negativo de la batería al terminal negativo (marcado como **NEGATIVE**, **NEG** ó **(-)**).
4. Cargue la batería con un cargador a 2 A hasta alcanzar una carga de 12 V. NO supere 13,7 V de tensión cuando cargue la batería.
5. Conecte el cable negativo de la batería al terminal negativo (marcado como **NEGATIVE**, **NEG** ó **(-)**).
6. Compruebe que los elementos de fijación en los terminales negativo y positivo de la batería están perfectamente apretados.
7. Instale el fusible de 15 Amperios en el panel de control.
8. Fije el conmutador del sistema del generador en la posición **AUTO**.
9. Reinicialización del temporizador de prueba. Consulte *Configuración del temporizador de práctica*.

**▲ ATENCIÓN** Con el interruptor en la posición **AUTO**, el motor puede comenzar a dar vueltas y arrancar en cualquier momento sin previo aviso.



- Para evitar posibles lesiones que pudieran ser provocadas por dichos arranques repentinos, siempre ponga el conmutador del sistema en OFF cuando realice operaciones de mantenimiento en el sistema.
- Retire el fusible de 15 Amperios antes de realizar trabajos en el generador, en el conmutador de transferencia o en lugares cercanos a estos equipos.

**▲ ADVERTENCIA** Las baterías almacenadas producen hidrógeno explosivo mientras estén siendo recargadas. Una pequeña chispa puede encender el hidrógeno y causar una explosión.



El fluido de electrolito de la batería contiene ácido y es extremadamente cáustico.

El contacto con el fluido de la batería puede causar quemaduras químicas severas.

Las baterías presentan un riesgo de descarga eléctrica y de elevada corriente de cortocircuito.

- NO deseche la batería tirándola al fuego. Recicle la batería.
- No permita ninguna llama abierta, chispa, calor, o encienda un cigarrillo durante y por varios minutos después de haber recargado la batería.
- NO abra ni manipule la batería.
- Utilice gafas de protección, y delantal, botas y guantes de goma.
- No lleve relojes, anillos ni otros objetos metálicos.
- Utilice herramientas con mangos aislados.

## Si llama a la fábrica

En caso de que sea necesario consultar al servicio técnico respecto a servicios o reparaciones de esta unidad, usted debe tener disponible la siguiente información:

1. Obtenga el número de modelo y número de serie de la unidad de la etiqueta de datos. Consulte *Controles* para localizar la etiqueta o consulte la información registrada en la portada del manual de instalación.
2. Obtenga los números de identificación del motor de la etiqueta del motor. Observe que en este manual se describen distintos motores, por lo que es posible que su motor sea diferente al que se muestra.

## Almacenamiento

El generador doméstico Rheem / Ruud está diseñado para una operación de respaldo continuo. Como tal, no hay necesidad de tomar precaución alguna con relación al almacenamiento. Sin embargo, si fuera necesario mantener el sistema fuera de servicio durante un tiempo prolongado, llame al Servicio técnico de Rheem al **877-369-9400**, entre las 8:00 AM y las 5:00 PM hora del centro, para obtener recomendaciones específicas.

NOT  
FOR  
REPRODUCTION

## Resolución de problemas

Problemas	Causa	Corrección
<b>El motor está funcionando pero no hay salida de c.a. disponible.</b>	<ol style="list-style-type: none"> <li>1. El interruptor automático está abierto o defectuoso.</li> <li>2. Fallo en el panel de control del generador.</li> <li>3. Las conexiones de cableado son inadecuadas o el conmutador de transferencia está defectuoso.</li> </ol>	<ol style="list-style-type: none"> <li>1. Restablezca el interruptor automático o reemplácelo.</li> <li>2. Consulte al servicio.</li> <li>3. Verifíuelo y repárelo o consulte al servicio.</li> </ol>
<b>El motor funciona cuando no tiene carga pero “se atasca” cuando se conectan las cargas.</b>	<ol style="list-style-type: none"> <li>1. Hay un cortocircuito en una de las cargas conectadas.</li> <li>2. El generador está sobrecargado.</li> <li>3. Hay un circuito del generador en cortocircuito.</li> <li>4. La presión o mezcla de combustible es incorrecta.</li> </ol>	<ol style="list-style-type: none"> <li>1. Desconecte la carga que está en cortocircuito.</li> <li>2. Desconecte la carga.</li> <li>3. Consulte al servicio.</li> <li>4. Consulte la sección El sistema de combustible gaseoso del manual de instalación.</li> </ol>
<b>El motor no arranca o arranca pero funciona con dificultad.</b>	<ol style="list-style-type: none"> <li>1. Falta un fusible de 15 Amperios o está fundido.</li> <li>2. No hay combustible.</li> <li>3. La batería presenta una falla.</li> <li>4. Filtro de aire atascado.</li> </ol>	<ol style="list-style-type: none"> <li>1. Instale un fusible de 15 Amperios (nuevo).</li> <li>2. Abra la o las válvulas de combustible; verifique el tanque de propano.</li> <li>3. Reemplace la batería.</li> <li>4. Limpie o reemplace filtro de aire.</li> </ol>
<b>El motor se apaga durante la operación.</b>	<ol style="list-style-type: none"> <li>1. No hay combustible.</li> <li>2. La pantalla digital del panel de control muestra un código de fallo.</li> </ol>	<ol style="list-style-type: none"> <li>1. Verifique las válvulas de combustible, llene el tanque de propano.</li> <li>2. Consulte la sección Sistema de detección de fallas.</li> </ol>
<b>Pérdida de potencia en los circuitos.</b>	<ol style="list-style-type: none"> <li>1. El interruptor automático del generador está abierto.</li> <li>2. Problemas en el interruptor de transferencia.</li> </ol>	<ol style="list-style-type: none"> <li>1. Restablezca el interruptor automático.</li> <li>2. Consulte el manual del interruptor de transferencia.</li> </ol>
<b>La unidad no ejercicio semanal.</b>	<ol style="list-style-type: none"> <li>1. El sistema no enciende AUTO.</li> <li>2. Temporizador de ejercicio no se establece.</li> <li>3. La batería presenta una falla.</li> <li>4. Falta un fusible de 15 Amperios o está fundido.</li> </ol>	<ol style="list-style-type: none"> <li>1. Coloque el interruptor del sistema en la posición AUTO.</li> <li>2. Configurar el tiempo de ejercicio.</li> <li>3. Reemplace la batería.</li> <li>4. Instale un fusible de 15 Amperios (nuevo). Consulte la sección Panel de control del sistema.</li> </ol>
<b>Excesiva vibración</b>	<ol style="list-style-type: none"> <li>1. Perder sujetador mecánico.</li> </ol>	<ol style="list-style-type: none"> <li>1. Verifíuelo y repárelo o consulte al servicio.</li> </ol>
<b>El olor del combustible</b>	<ol style="list-style-type: none"> <li>1. Fuga de combustible.</li> </ol>	<ol style="list-style-type: none"> <li>1. Apague la válvula de cierre manual de combustible. Consulte al servicio.</li> </ol>
<b>Devuelve la utilidad de energía, la unidad no se detiene</b>	<ol style="list-style-type: none"> <li>1. Fusibles quemados en el interruptor de transferencia.</li> <li>2. 5 minutos de tiempo de ejecución mínimo no decae.</li> <li>3. Mala conexión de los cables o controladores defectuosos.</li> </ol>	<ol style="list-style-type: none"> <li>1. Instale un fusible (nuevo).</li> <li>2. Espere 5 minutos.</li> <li>3. Verifíuelo y repárelo o consulte al servicio.</li> </ol>

## Generadores de reserva domésticos PROTECH™

Modelos: GEN10AD GEN12AD GEN15AD GEN18AN GEN20AL

### ALCANCE de la GARANTÍA:

- Esta garantía limitada estipula el reemplazo de cualquier parte del producto que presente fallos durante el uso y funcionamiento normales durante el período de garantía especificado, de conformidad con los términos y condiciones de la presente. El repuesto estará cubierto por la garantía solamente durante el tiempo de cobertura del período de garantía original.

### EXCEPCIONES:

- La garantía no cubre aplicaciones comerciales.
- La garantía no cubre unidades instaladas como fuentes de energía eléctrica principales.
- La garantía no cubre instalaciones cuyo objetivo sea mantener constantes vitales.

### FECHA DE VIGENCIA de la COBERTURA DE LA GARANTÍA:

La fecha de vigencia es la fecha de instalación siempre que se documente adecuadamente. De lo contrario, es la fecha de fabricación más seis (6) meses.

### PERÍODOS DE LA GARANTÍA:

- La cobertura de la garantía de los generadores de reserva domésticos **GEN10AD** es de tres (3) AÑOS o 1250 horas de funcionamiento, lo que suceda primero.
- La cobertura de la garantía de los generadores de reserva domésticos **GEN12AD, GEN15AD, GEN18AN, GEN20AL** es de cuatro (4) AÑOS o 1500 horas de funcionamiento, lo que suceda primero.
- **Las garantías del conector y motor** son proporcionadas por el fabricante. Consulte el manual correspondiente.

### DISPOSICIONES ESTÁNDAR y CONDICIONES:

**EXCLUSIONES** - ESTA GARANTÍA NO APLICA EN LOS SIGUIENTES CASOS: a) Daño, funcionamiento inadecuado o fallo que se derive de la incapacidad para instalar, operar o mantener adecuadamente la unidad de conformidad con las instrucciones del fabricante proporcionadas; b) daño, funcionamiento inadecuado o fallo que se derive del uso indebido, accidentes, incendios, inundaciones y eventos similares; c) partes usadas durante las actividades normales de mantenimiento, como ajustes, limpieza del sistema de combustible y obstrucciones debidas a sustancias químicas, suciedad, carbón, cal, etc.; d) unidades no instaladas en los Estados Unidos de América o Canadá; e) unidades no instaladas de conformidad con los códigos locales, normativas y buenas prácticas comerciales vigentes; f) daño, funcionamiento inadecuado o fallo debido al uso de cualquier accesorio o componente no autorizado por el fabricante; g) desgaste de elementos como medidores de aceite, juntas tóricas, filtros, fusibles o bujías, etc.

**COSTOS DE TRANSPORTE:** Esta Garantía NO cubre los costos de transporte. Usted será responsable de cubrir el costo de transporte de los repuestos cubiertos por la garantía desde nuestra fábrica hasta las instalaciones de nuestro distribuidor; o bien, desde las instalaciones del distribuidor hasta el lugar donde se localice su producto. Asimismo, usted es responsable de cubrir el costo de transporte incurrido al devolver la parte defectuosa al distribuidor.

**RESPONSABILIDAD RESPECTO A LA MANO DE OBRA:** Esta Garantía NO cubre los gastos por concepto de mano de obra para actividades de mantenimiento NI para retirar o reinstalar partes. Todos esos gastos correrán por cuenta de usted, a menos que exista un acuerdo de mano de obra para actividades de mantenimiento entre usted y su contratista.

**CÓMO HACER VÁLIDA LA GARANTÍA:** Notifique inmediatamente cualquier fallo cubierto por la presente garantía al contratista encargado de la instalación o al distribuidor. Generalmente, el contratista encargado de la instalación a quien se le compra la unidad tiene la capacidad para adoptar la medida correcta necesaria y obtener de su distribuidor cualquier repuesto. En caso de que el contratista no esté disponible, comuníquese con cualquier otro contratista local que maneje productos de aire acondicionado de RHEEM, RUUD o PROTECH. Por lo general, es posible encontrar el nombre y la ubicación de un contratista local en el directorio telefónico o comunicándose con un distribuidor de productos de aire acondicionado de RHEEM, RUUD o PROTECH. De ser necesario, solicite información sobre el distribuidor más cercano a la siguiente dirección:

4744 Island Ford Road, Randleman, NC 27317

SIN EMBARGO, CUALQUIER REPUESTO ESTÁ SUJETO A LA VALIDACIÓN DE LA COBERTURA DE LA GARANTÍA. Deberá presentar la parte que desea reemplazar para que se le pueda entregar el repuesto.

### Garantía limitada:

**No existe ninguna otra garantía explícita. Las garantías implícitas, incluidas las de comerciabilidad o idoneidad para un fin concreto, se limitan a un año a partir de la fecha de compra o al límite de tiempo permitido por la ley. Quedan excluidas todas las garantías implícitas. Queda excluida la responsabilidad por daños secundarios y derivados hasta el límite permitido por la ley.** Algunos países o estados no permiten limitar la duración de una garantía implícita ni excluir o limitar los daños secundarios y derivados. Por tanto, es posible que las limitaciones y exclusiones mencionadas no sean aplicables en su caso. Esta garantía le otorga determinados derechos legales y es posible que tenga otros derechos que pueden variar de un estado y país a otro. 202249S, Rev. D, 10/16/2009

RHEEM SALES COMPANY  
Randleman NC

"Buscando promover la mejora continua, nos reservamos el derecho de realizar cambios sin previo aviso".

Español

es

## Especificaciones del generador

### 12 AD

Corriente de carga nominal máxima a 25°C (77°F) PL*	
a 240 Voltios .....	50 Amperios
Tensión de c.a. nominal.....	240 Voltios
Fases.....	Monofásico
Frecuencia nominal.....	60 Hz
Rango operativo normal .....	-28.8°C (-20°F) to 40°C (104°F)
Nivel de ruido.....	74.5 dB(A) at 7 m (23 pies) con carga completa
Peso de envío del sistema .....	274 kg (605 lb)

---

## Especificaciones del motor

Desplazamiento.....	810 cc (49,42 ci.)
Entrehierro de la Bujía .....	0,51 mm (0,020 in.)
Torque de la Bujía .....	20 Nm (180 lb-in.)
Entrehierro Inducido .....	0,20 - 0,30 mm (0,008 - 0,012 in.)
Tolerancia de la Válvula de Admisión .....	0.10 - 0.15 mm (0,004 - 0,006 in.)
Tolerancia de la Válvula de Escape .....	0.23 - 0.28 mm (0,009 - 0,011 in.)
Aceite .....	5W30 Sintético
Capacidad de Aceite.....	2,3 - 2,4 L (78 - 80 oz.)

---

## Partes de Servicio Comunes

Filtro de Aire, Ovalado	798748
Aceite -- sintéticas	100074
Filtro de Aceite	492932
Bujía con Resistencia	692051
Bujía de Platino de Larga Vida	5066

\*Este generador está clasificado conforme a la norma UL (Underwriters Laboratories) 2200 (grupos generadores de motor fijo) y a la norma C22.2 No. 100-04 (motores y generadores) de la CSA (Canadian Standards Association [Asociación canadiense de normalización]).

### Clasificación de Potencia

La clasificación de potencia total para los modelos individuales de motores a gas se etiqueta de acuerdo con el código J1940 de SAE (Sociedad de Ingenieros Automotrices) (Procedimiento de Clasificación de Potencia & Torque del Motor Pequeño) y la clasificación de desempeño se ha obtenido y se ha corregido de acuerdo con SAE J1995 (Revisión 2002-05). Los valores de Torque se derivan a 3060 RPM; los valores de potencia se derivan a 3600 RPM. Los valores netos de potencia se toman con escape y filtro de aire instalado mientras que los valores de potencia total se recogen sin estos accesorios. La potencia total real del motor puede ser mayor que la potencia neta del motor y estar afectada por, entre otras cosas, condiciones ambientales de operación y variabilidad de motor a motor. Dado el amplio conjunto de productos en los cuales son puestos los motores, el motor a gas podría no desarrollar la potencia total nominal cuando sea usado en una parte dada del equipo acoplado. Esta diferencia se debe a una variedad de factores que incluyen, sin limitarse a, la avierdad de componentes del motor (filtro de aire, sistema de escape, sistema de carga, sistema de enfriamiento, carburador, bomba de combustible, etc.), limitaciones de la aplicación, condiciones ambientales de operación (temperatura, humedad, altitud), y a la variabilidad de motor a motor. Debido a las limitaciones de fabricación y capacidad Briggs & Stratton puede sustituir un motor de potencia nominal más alta por esta Serie de motor.

# Guide d'utilisation

GEN12AD-V

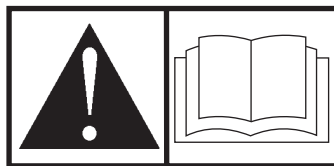
# Groupe électrogène

**Vous avez des questions?**

**Vous n'avez pas besoin d'aller loin pour trouver de l'aide!**

**Appelez: ligne directe de génératrice la maison  
877-369-9400**

**Du lundi au vendredi de 8 h à 17 h, heure du centre**





**Nous vous** remercions d'avoir acheté cette génératrice résidentielle de qualité Rheem / Ruud. Nous sommes heureux que vous fassiez confiance à la marque Rheem / Ruud. Lorsque utilisée et entretenue selon les instructions de ce manuel, votre génératrice Rheem / Ruud vous offrira de nombreuses années de service fiable.

**Ce manuel** **referme** des directives de sécurité pour vous faire prendre conscience des dangers et des risques associés aux génératrices résidentielles auxiliaires et de la façon de les éviter. Comme Rheem ne connaît pas nécessairement toutes les applications pour lesquelles cet équipement peut être utilisé, il est important de lire et de bien comprendre ces instructions avant de tenter de démarrer ou d'utiliser cet équipement. Conservez ces instructions pour référence future.

**Cette génératrice résidentielle auxiliaire nécessite une installation professionnelle avant l'utilisation.** Consultez le manuel d'installation séparé pour les directives sur les procédures sécuritaires d'installation. Votre installateur devrait suivre les instructions d'installation à la lettre.

#### **Où nous trouver**

Vous n'aurez jamais à chercher bien loin pour trouver un centre de support et de service pour les génératrices résidentielles auxiliaires. Consultez les Pages Jaunes. Plusieurs distributeurs de services après-vente agréés Rheem and Ruud offrent un service de qualité. Vous pouvez également communiquer avec le service à la clientèle de Rheem / Ruud en téléphonant sans frais au **877-369-9400**.

**Les numéros de modèle et de série de la génératrice et du moteur doivent être inscrits dans le manuel d'installation.**

NOT  
FOR  
REPRODUCTION

Droits d'auteur © 2012 Rheem Sales Company. Tous droits réservés.  
Aucune partie de ce document ne peut être reproduite ou transmise sous n'importe quelle forme et par quelque moyen que ce soit sans l'autorisation écrite de Rheem Sales Company.

# Table des matières

<b>Directives de sécurité importantes</b> .....	<b>4</b>
<b>Installation</b> .....	<b>7</b>
Conseils au propriétaire .....	7
Facteurs relatifs au combustible .....	8
Vérification de la livraison .....	10
<b>Commandes</b> .....	<b>11</b>
Groupe électrogène .....	11
<b>Fonctionnement</b> .....	<b>15</b>
Huile à moteur .....	15
Batterie .....	15
Fusible de 15 ampères .....	15
Fonctionnement automatique .....	15
Réglage de la minuterie du cycle d'exercice .....	16
Système de détection des pannes .....	17
Entretien du générateur .....	19
Entretien de moteur .....	20
l'Huile moteur .....	20
<b>Dépannage</b> .....	<b>26</b>
<b>Caractéristiques du produit</b> .....	<b>28</b>
<b>Spécifications du moteur</b> .....	<b>28</b>

NOT FOR REPRODUCTION

# Veillez conserver ces instructions

## Directives de sécurité importantes

CONSERVEZ CES DIRECTIVES – Ce manuel renferme d'importantes directives qu'il faut suivre durant l'installation et l'entretien de la génératrice et des batteries.



Explosion



Feu



Choc électrique



Emanations toxiques



Parties en mouvement



Surface chaude



Auto démarrage



Pression explosive



Brûlures chimiques



Risque de levage



Lire le manuel

## Symboles de sécurité et leur signification

▲ Le symbole d'alerte de sécurité indique un risque potentiel de blessure personnelle. Un mot signal (DANGER, AVERTISSEMENT ou ATTENTION) est utilisé avec un symbole d'alerte pour vous indiquer le degré ou le niveau du risque. Un symbole de sécurité peut être utilisé pour représenter le type de risque. Le mot signal AVIS est utilisé pour traiter les pratiques qui ne sont pas reliées aux blessures personnelles.

▲ Le mot signal **DANGER** indique un danger qui, s'il n'est pas évité, *causera* la mort ou des blessures graves.

▲ Le mot signal **AVERTISSEMENT** indique un risque qui, s'il n'est pas évité, *pourrait causer* la mort ou des blessures graves.

▲ Le mot signal **ATTENTION** indique un risque qui, s'il n'est pas évité, *pourrait causer* des blessures mineures ou modérées.

Le mot **AVIS** est utilisé pour les pratiques qui ne sont pas reliées aux blessures personnelles.

Le fabricant ne peut anticiper toutes les circonstances potentielles pouvant comporter un danger. Par conséquent, les avertissements contenus dans le présent manuel, ainsi que les plaques et les décalques apposés sur l'unité n'englobent pas toutes les possibilités. Si vous utilisez une procédure, une méthode de travail ou une technique d'opération non spécifiquement recommandée par le fabricant, vous devez vous assurer qu'elle ne compromet pas votre sécurité ni celle des autres. Vous devez également vous assurer que la procédure, la méthode de travail ou la technique d'opération que vous choisissez ne rende pas la génératrice dangereuse.

▲ **AVERTISSEMENT** Un moteur en marche dégage du monoxyde de carbone, un gaz inodore, incolore et toxique. L'inhalation du monoxyde de carbone peut entraîner la mort, des blessures graves, des maux de tête, de la fatigue, des étourdissements, des vomissements, de la confusion, des crises épileptiques, des nausées et l'évanouissement.

- Faites fonctionner la génératrice **UNIQUEMENT** à l'extérieur, dans un endroit où les gaz d'échappement mortels ne s'accumuleront pas.
- Assurez-vous que les gaz d'échappement sont éloignés des fenêtres, des portes, des prises d'aération, des orifices de ventilation dans l'avant-toit, des vides sanitaires, des portes de garage ouvertes ou de toute autre ouverture par lesquelles les gaz d'échappement pourraient pénétrer à l'intérieur ou être aspirés dans les espaces d'un édifice qui pourraient être occupés.
- Les détecteurs monoxyde de carbone doivent être installés et doivent être maintenus à la maison selon les recommandations des instructions du fabricant. Les détecteurs de fumée ne peuvent pas détecter du gaz monoxyde de carbone.

▲ **AVERTISSEMENT** L'échappement du moteur de ce produit contient des produits chimiques que l'État de Californie considère comme causant le cancer, des déformations à la naissance ou d'autres dangers concernant la reproduction.

▲ **AVERTISSEMENT** Certains composants de ce produit ainsi que les accessoires reliés contiennent des produits chimiques reconnus par l'État de la Californie comme causant des cancers, des malformations congénitales, ou d'autres problèmes de reproduction. Nettoyez-vous les mains après la manipulation.

**▲ AVERTISSEMENT** Les batteries d'accumulateur produisent du gaz hydrogène explosif lorsqu'elles se rechargent. La plus petite étincelle enflammera l'hydrogène et provoquera une explosion.



Le liquide d'électrolyte de l'accumulateur contient de l'acide et est extrêmement caustique. Le contact avec le liquide de l'accumulateur provoquera de graves brûlures chimiques. Toute batterie présente un risque de choc électrique et de courant de court-circuit élevé.

- NE jetez PAS la batterie dans un feu. Recyclez la batterie.
- Ne laissez aucune flamme, étincelle, source de chaleur ou cigarette allumée pendant ou plusieurs minutes suivant la charge de l'accumulateur.
- N'ouvrez PAS ni N'endommagez la batterie.
- Portez des lunettes de sécurité ainsi qu'un tablier, des bottes et des gants en caoutchouc.
- Enlevez votre montre, vos bagues et tout autre objet de métal.
- Utilisez des outils avec des poignées isolées.

**▲ AVERTISSEMENT** Le gaz propane et le gaz naturel sont extrêmement inflammables et explosifs. Le feu ou l'explosion risque de provoquer des blessures graves, pouvant être fatales.



- Installez le système d'alimentation de combustible conformément aux codes applicables aux combustibles et aux gaz.
- Avant de mettre en service le générateur d'état d'attente, il faut purger adéquatement les lignes d'alimentation de combustible et les tester pour les fuites.
- Une fois le système installé, vous devez vérifier le système de combustible sur une base régulière.
- Aucune fuite ne peut être tolérée.
- NE faites PAS fonctionner le moteur si vous sentez une odeur de combustible ou si d'autres conditions d'explosion sont présentes.
- Abstenez-vous de fumer près de la génératrice. Essayez immédiatement tout déversement d'huile. Assurez-vous de ne laisser aucun matériau combustible dans le compartiment de la génératrice. Gardez la zone autour de la génératrice propre et sans débris.

**▲ AVERTISSEMENT** Le générateur produit une tension élevée.



Ne pas relier le générateur à la terre risque de provoquer des électrocutions. NE PAS isoler le générateur de l'installation électrique risque de provoquer des blessures ou même d'être fatal pour les ouvriers électriciens et de causer des dommages au générateur dus à un "backfeed" d'énergie électrique

- Lorsque vous utilisez le générateur comme source d'énergie de secours, il est nécessaire d'aviser les services publics d'électricité.
- NE touchez PAS aux fils ou aux prises dénudés.
- N'utilisez PAS le générateur avec des cordons électriques usés, effilochés ou dénudés, ou abîmés de quelque sorte que ce soit.
- NE manipulez PAS le générateur ou les cordons d'alimentation lorsque vous êtes debout dans l'eau, pieds nus ou avec les mains ou les pieds humides.
- Si vous devez travailler aux environs d'une unité alors qu'elle est en marche, placez-vous sur une surface sèche isolée afin de réduire les risques de choc électrique.
- NE laissez PAS des personnes non qualifiées ou des enfants se servir ou réparer le générateur.
- En cas d'accident causé par un choc électrique, procédez immédiatement à la mise hors tension de l'alimentation électrique et contacter des autorités locales. **Évitez tout contact direct avec la victime.**
- En dépit de la conception sécuritaire du groupe électrogène, le fait d'opérer l'équipement de façon imprudente, de ne pas l'entretenir ou d'être négligent peut causer des blessures et la mort.
- Demeurez alerte en tout temps lorsque vous travaillez sur cet équipement. NE travaillez JAMAIS sur l'équipement si vous êtes fatigué physiquement ou mentalement.
- Avant de procéder à tout entretien sur la génératrice, débranchez tout d'abord le câble de batterie identifié par **NEGATIVE, NEG** ou (-). Rebranchez le câble après avoir terminé.
- Une fois votre groupe électrogène installé, la génératrice peut se lancer et démarrer sans avertissement lorsque survient une panne électrique. Pour prévenir des blessures potentielles, AVANT de travailler sur l'équipement, réglez toujours l'interrupteur de système sur **OFF**, ET enlevez le fusible de 15 Ampères.

**⚠ AVERTISSEMENT** Tout contact avec la zone du silencieux peut causer des brûlures graves. La chaleur et les gaz d'échappement peuvent enflammer des matériaux combustibles et les structures ainsi que causer un incendie.



- NE touchez PAS aux pièces chaudes et évitez le contact avec les gaz d'échappement.
- Laissez l'équipement refroidir avant de le toucher.
- N'installez PAS la génératrice à moins de 1,5 m (5 pi) de tous matériaux combustibles ou structures comportant des murs combustibles dont le degré de résistance au feu est de moins d'une heure.
- Laissez au moins les distances minimum indiquées dans les *Directives générales concernant l'emplacement* afin de vous assurer d'un refroidissement approprié de la génératrice et des dégagements requis pour l'entretien.
- L'utilisation ou le fonctionnement d'un moteur sur un terrain boisé, couvert de broussailles ou gazonné constitue une violation dans l'État de la Californie, en vertu de la section 4442 du California Public Resources Code, à moins qu'il ne soit doté d'un pare-étincelles tel que défini dans la section 4442 et maintenu en bon état de fonctionnement. Il se peut que d'autres États ou d'autres compétences fédérales aient des lois semblables. Communiquez avec le fabricant, le détaillant ou le concessionnaire original de l'appareil afin d'obtenir un pare-étincelles conçu pour le système d'échappement installé sur ce moteur.
- Les pièces de rechange doivent être identiques aux pièces d'origine et être installées à la même position.

**⚠ AVERTISSEMENT** Démarreur et autres tournures peut empêcher mains, cheveux, vêtement, ou accessoires.



- N'utilisez JAMAIS la génératrice sans bâtis, couvercles ou gardes de protection installés.
- NE portez PAS de vêtements lâches, de bijoux ou tout ce qui risquerait d'être pris dans le démarreur ou toute autre pièce rotative.
- Embouteiller des cheveux longs et enlève la bijouterie.
- Avant l'entretien, ôtez le fusible de 15 ampères du tableau de commande et débranchez le câble de batterie **Négatif (NEG ou -)**.

**⚠ ATTENTION** L'installation du fusible pourrait causer le démarrage du moteur.



- Prenez note que, avant l'expédition, le fusible de 1 Ampère a été retiré du panneau électrique.
- N'installez PAS ce fusible avant que toute la plomberie et le câblage n'aient été complétés et vérifiés.

**⚠ ATTENTION** Les vitesses de fonctionnement excessivement élevées augmentent les risques de blessure ou risquent d'endommager la génératrice.

Des vitesses excessivement lentes produisent une charge importante pour la génératrice.

- NE trafiquez PAS la vitesse régulée. Le générateur produit une fréquence nominale et une tension correctes lorsqu'il fonctionne à une vitesse régulée.
- NE modifiez PAS le générateur d'aucune façon.

**AVIS** Dépasser la capacité de puissance ou d'ampérage du générateur risque d'endommager ce dernier et/ou les autres appareils électriques qui y sont branchés.

- Démarrez le générateur et laissez le moteur se stabiliser avant de brancher les charges électriques.

**AVIS** Un traitement inapproprié du générateur risque de l'endommager et de raccourcir sa durée d'utilisation.

- Ne vous servez du générateur que pour les utilisations prévues.
- Si vous avez des questions concernant les utilisations prévues, demandez à votre distributeur ou revendeur autorisé.
- Ne faites fonctionner le générateur que sur des surfaces horizontales.
- Des débits d'air de refroidissement et d'aération adéquats sont nécessaires au bon fonctionnement de la génératrice.
- Lorsque l'unité est en marche, il faut que les portes de l'orifice de remplissage d'huile et d'accès au tableau de commande soient installées.
- N'exposez pas le générateur à une humidité excessive, à de la poussière, à de la saleté ou à des vapeurs corrosives.
- En dépit de la conception sécuritaire du groupe électrogène, le fait d'opérer l'équipement de façon imprudente, de ne pas l'entretenir ou d'être négligent peut causer des blessures et la mort.
- Demeurez alerte en tout temps lorsque vous travaillez sur cet équipement. Ne travaillez jamais sur l'équipement si vous êtes fatigué physiquement ou mentalement.
- Ne démarrez jamais le moteur sans son filtre à air ou sans le couvercle du filtre à air.
- N'insérez aucun objet dans les fentes de refroidissement.
- N'utilisez pas la génératrice ni aucune partie de celle-ci comme palier. Le fait de marcher sur l'unité peut causer des contraintes et briser des pièces. Cela peut résulter en des conditions de fonctionnement dangereuses à cause d'une fuite de gaz d'échappement, etc.
- Si les appareils branchés sont en surchauffe, éteignez-les et débranchez-les du générateur.
- Arrêtez le générateur si :
  - la puissance électrique est inexistante;
  - l'équipement produit des étincelles, de la fumée ou des flammes;
  - l'unité vibre excessivement.

## Installation

Ce produit est conçu pour être utilisé comme groupe électrogène optionnel fournissant une source d'électricité alternative et pour desservir des charges comme le chauffage, les systèmes de réfrigération et les systèmes de communication qui, lorsqu'ils sont arrêtés durant une panne d'électricité, peuvent causer des inconforts ou autre.

**REMARQUE** Ce produit NE se qualifie PAS comme génératrice d'urgence ou génératrice auxiliaire légalement requise tel que défini par la NFPA 70 (NEC).

- Les génératrices d'urgence sont conçues pour alimenter automatiquement l'éclairage, l'alimentation électrique ou les deux à des zones et des équipements désignés dans le cas d'une panne de l'alimentation de service normale. Les génératrices d'urgence peuvent aussi fournir de l'alimentation pour des fonctions telles que la ventilation aux endroits où elle est essentielle pour maintenir la vie, aux endroits où une interruption de l'alimentation normale en courant créerait des risques graves de sécurité ou de santé.
- Les génératrices auxiliaires légalement requises sont conçues pour alimenter automatiquement des charges sélectionnées dans le cas d'une panne de l'alimentation de service normale qui créeraient des risques ou entraveraient des opérations de sauvetage ou de lutte contre l'incendie.

Tout a été fait pour s'assurer que les renseignements contenus dans ce manuel soient exacts et à jour. Toutefois, nous nous réservons le droit de changer, de modifier ou d'améliorer le produit et ce document en tout temps, et ce, sans préavis.

Seuls des électriciens et des plombiers professionnels agréés doivent procéder à l'installation des groupes électrogènes. Toute installation doit être conforme à l'ensemble des codes et des normes de l'industrie, ainsi que des lois et règlements applicables.

### Au propriétaire résidentiel:

Afin de vous aider à faire des choix avisés et à communiquer efficacement avec l'entrepreneur qui procédera à l'installation, **veuillez lire avec soin la section *Conseils au propriétaire* dans le présent guide avant de contracter un entrepreneur ou de commencer l'installation de votre groupe électrogène.**

Pour assurer une installation adéquate, veuillez contacter le magasin qui vous a vendu votre groupe électrogène, votre détaillant ou votre fournisseur de services d'électricité.

**Si l'installation du groupe électrogène n'est pas effectuée par des professionnels certifiés en électricité et en plomberie, la garantie sera ANNULÉE.**

Tout a été fait pour s'assurer que les renseignements contenus dans le présent guide soient exacts et à jour. Toutefois, le fabricant se réserve le droit de changer, de modifier ou encore d'améliorer le système en tout temps et ce, sans préavis.

Nous garantissons que le dispositif antipollution de cette génératrice répond aux normes établies par le U.S. Environmental Protection Agency et le California Air Resources Board (CARB).

### Au détaillant ou à l'entrepreneur procédant à l'installation:

Le guide d'installation renferme tous les renseignements nécessaires à l'installation adéquate ainsi qu'au démarrage du groupe électrogène pour la plupart des usages.

Le présent Manuel d'utilisation décrit les procédures de fonctionnement normal et d'entretien par le propriétaire.

Si vous avez besoin de renseignements supplémentaires, veuillez appeler au **877-369-9400** de 8 h à 17 h HNC.

### Conseils au propriétaire

La présente section présente au propriétaire du groupe électrogène les renseignements dont il aura besoin pour que l'installation du groupe électrogène soit la plus satisfaisante et économique possible.

Les illustrations se rapportent à des cas typiques et ont pour but de vous familiariser avec les différentes options d'installation de votre groupe électrogène dont vous disposez. En comprenant pleinement ces options, vous pourrez bien contrôler les coûts liés à votre installation et assurer votre satisfaction finale ainsi que votre sécurité.

Au moment de négocier avec un installateur professionnel, il faudra tenir compte des facteurs suivants : les codes de sécurité locaux, l'apparence, le niveau de bruits, les types de carburant et les distances. Souvenez-vous que plus grandes sont les distances entre le groupe électrogène et le service électrique existant ainsi que l'alimentation en combustible gazeux, la tuyauterie et le câblage doivent être modifiés en conséquence. Ces modifications sont nécessaires pour vous conformer aux codes de sécurité locaux et pour surmonter les chutes de tension et les baisses de pression du combustible gazeux.

**Les facteurs mentionnés ci-dessus auront une incidence directe sur le prix total de l'installation de votre groupe électrogène.**

Dans certaines régions, vous devrez vous procurer un permis de travail d'électricité pour installer le groupe électrogène, un permis de construction pour l'installation des canalisations de gaz, ainsi qu'un permis relatif au bruit. Votre installateur est tenu de vérifier les codes locaux ET d'obtenir les permis requis avant de procéder à l'installation du système.



## Facteurs relatifs au combustible

Le type de combustible utilisé par votre groupe électrogène aura une incidence importante sur l'ensemble de l'installation. Le système a été testé en usine et réglé avec soit du gaz naturel ou du propane liquide (vapeur de PL). Pour que le moteur fonctionne correctement, les facteurs inhérents à chacun de ces combustibles, votre emplacement et la durée possible des interruptions de courant doivent être pris en compte lorsque vous suivez les lignes directrices suivantes sur le combustible :

- Utilisez un combustible propre et sec, libre de toute humidité ou de dépôts. L'utilisation de combustible à l'extérieur des plages de valeurs recommandées pourrait causer des problèmes de performance.
- Pour les moteur réglés sur l'utilisation du gaz de pétrole liquéfié (GPL), le propane commercial de classe HD5, ayant une énergie combustible minimum de 2500 Btu/pi<sup>3</sup> à teneur maximum de 5% de propylène et de butane et de 2,5% de gaz plus lourds et une teneur minimum en propane de 90%, convient.

Le débit de gaz naturel dépend du combustible spécifique, mais la dépréciation typique se situe entre 10 et 20% du débit du gaz de pétrole liquéfié.

**⚠ AVERTISSEMENT** Le gaz propane et le gaz naturel sont extrêmement inflammables et explosifs.



Le feu ou l'explosion risque de provoquer des blessures graves, pouvant être fatales.

- Cet équipement est muni d'un robinet de sécurité pour la fermeture automatique des gaz.
- N'opérez pas l'équipement si le robinet de fermeture du combustible est manquant ou ne fonctionne pas.

## Baisse de puissance à haute altitude ou à température élevée

La densité de l'air étant moindre en haute altitude, la puissance du moteur est donc réduite. En fait, la puissance du moteur sera réduite de 3,5% pour chaque 1000 pieds (300 mètres) au-dessus du niveau de la mer, et de 1% pour chaque 10° F (5,6°C) au-dessus de 77°F (25°C). Votre installateur et vous-même devriez vous assurer de tenir compte de ces facteurs au moment de déterminer la charge totale de la génératrice.

NOT  
FOR  
REPRODUCTION



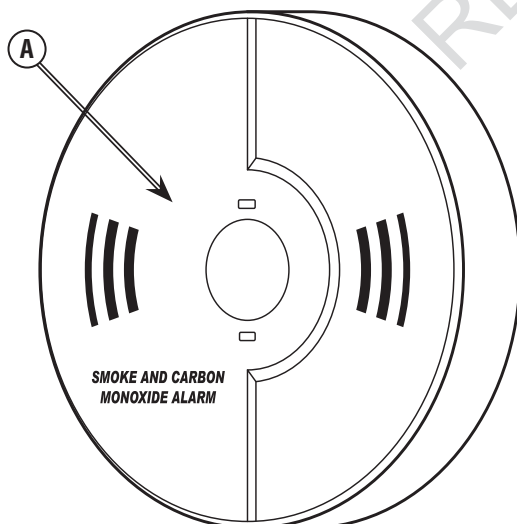
## Emplacement de la génératrice

L'emplacement physique réel de votre génératrice de secours a une incidence directe sur:

1. La quantité de tuyauterie nécessaire pour l'alimentation en combustible de votre génératrice.
2. La quantité de câblage nécessaire pour commander et brancher votre génératrice.

Familiarisez-vous avec celles-ci et discutez-en avec votre installateur. N'oubliez pas de demander à l'installateur si votre choix d'emplacement est conforme aux normes et aux codes locaux et de quelle façon celui-ci influe sur les coûts d'installation.

- Installez la génératrice à l'extérieur, dans un endroit où les gaz d'échappement mortels ne s'accumuleront pas.
- N'installez PAS la génératrice dans un endroit où les gaz d'échappement pourraient s'accumuler et pénétrer ou être aspirés dans les espaces d'un édifice qui pourraient être occupés.
- Dans plusieurs États, la Loi exige qu'un détecteur de monoxyde de carbone fonctionnel soit installé dans votre maison. Installez et entretenez des détecteurs de monoxyde de carbone (A) à l'intérieur conformément aux instructions et recommandations du fabricant. Un moniteur de monoxyde de carbone est un dispositif électronique qui détecte les niveaux dangereux de CO. S'il y a une accumulation de CO, le moniteur alertera les occupants en faisant clignoter une lampe témoin et en déclenchant une alarme. Les détecteurs de fumée ne peuvent pas détecter le CO.



**AVERTISSEMENT** Un moteur en marche dégage du monoxyde de carbone, un gaz inodore, incolore et toxique. L'inhalation du monoxyde de carbone peut entraîner la mort, des blessures graves, des maux de tête, de la fatigue, des étourdissements, des vomissements, de la confusion, des crises épileptiques, des nausées et l'évanouissement.

- Faites fonctionner la génératrice UNIQUEMENT à l'extérieur, dans un endroit où les gaz d'échappement mortels ne s'accumuleront pas.
- Assurez-vous que les gaz d'échappement sont éloignés des fenêtres, des portes, des prises d'aération, des orifices de ventilation dans l'avant-toit, des vides sanitaires, des portes de garage ouvertes ou de toute autre ouverture par lesquelles les gaz d'échappement pourraient pénétrer à l'intérieur ou être aspirés dans les espaces d'un édifice qui pourraient être occupés.
- Les détecteurs monoxyde de carbone doivent être installés et doivent être maintenus à la maison selon les recommandations des instructions du fabricant. Les détecteurs de fumée ne peuvent pas détecter du gaz monoxyde de carbone.

- Assurez-vous que les gaz d'échappement sont éloignés des fenêtres, des portes, des prises d'aération, des orifices de ventilation dans l'avant-toit, des vides sanitaires, des portes de garage ouvertes ou de toute autre ouverture par lesquelles les gaz d'échappement pourraient pénétrer à l'intérieur ou être aspirés dans les espaces d'un édifice qui pourraient être occupés. La maison de votre voisin peut aussi être exposée aux gaz d'échappement de votre génératrice de secours et vous devez en tenir compte lorsque vous installez votre génératrice

Le Guide d'installation présente des consignes particulières relatives au choix de l'emplacement de la génératrice.

**AVERTISSEMENT** La chaleur et les gaz d'échappement peuvent enflammer les matériaux combustibles et les structures et entraîner la mort, des blessures graves ou des dommages matériels.

- NE placez PAS le côté opposé à l'échappement du boîtier étanche à moins de 45,7 cm (18 po) de toute structure.
- Le dégagement entre le côté avec sortie d'air du boîtier et toute structure, tout arbre ou arbuste ou toute végétation doit être d'au moins 1,5 m (5 pi).
- Le boîtier étanche de la génératrice de secours doit être situé à au moins 1,5 m (5 pi) des fenêtres, des portes, des ouvertures, des arbustes ou de la végétation ayant plus de 30 cm (12 po) de hauteur.
- Le dégagement entre le dessus du boîtier étanche de la génératrice de secours et toute structure, tout porte-à-faux ou tout arbre doit être d'au moins 1,5 m (5 pi).
- NE placez PAS le boîtier étanche sous une terrasse ou n'importe quelle autre structure qui pourrait limiter la circulation d'air.
- UTILISEZ SEULEMENT la conduite d'alimentation en carburant en acier flexible fournie. Raccordez la conduite d'alimentation en carburant fournie à la génératrice; N'utilisez AUCUNE autre conduite d'alimentation flexible.
- Les détecteurs de fumée doivent être installés et doivent être maintenus à la maison selon les recommandations des instructions du fabricant. Les alarmes monoxyde de carbone ne peuvent pas détecter de la fumée.
- NE placez PAS la génératrice d'une autre façon que celle illustrée.

## Vérification de la livraison

Après avoir enlevé le carton, examinez avec soin les éléments de la génératrice pour tout dommage subi durant l'expédition.

Au moment de la livraison, si vous remarquez des dommages ou des pièces manquantes, demandez au livreur de noter tous les dommages sur la facture de fret et d'apposer sa signature dans l'espace réservé à cet effet. Après la livraison, si vous remarquez des pièces manquantes ou des dommages, mettez les pièces endommagées de côté et communiquez avec le transporteur pour connaître les procédures de réclamation. Les pièces manquantes ou endommagées ne sont pas garanties.

### Le groupe électrogène est livré avec les éléments suivants:

- Berceau de montage préfixé
- Système de lubrification viabilisé
- La ligne de carburant en acier flexible
- Guide d'installation et de démarrage
- Manuel d'utilisation
- Clés pour la porte d'accès
- Fusible de rechange de 15 ampères ATO
- Connecteur à deau épingles pour tableau de commande
- Connecteur à dix épingles pour tableau de commande
- Bouchons pour les trous de levage (4)
- Trousse de conversion au PL
- Sangle de batterie
- Trousse du voyant DEL à distance (DEL/plaque/vis)

### Articles non fournis :

- Un moniteur de monoxyde de carbone
- Détecteur(s) de fumée
- Batterie de démarrage
- Fil et conduit de connexion
- Vannes/plomberie d'alimentation en combustible
- Grue, sangles de levage, chaînes ou câbles
- Deux tuyaux de 122 cm (48 po) de long d'un diamètre de 2,54 cm (1 po) (PAS des conduits électriques)
- Tournevis dynamométrique, plage de 5 à 50 pouces-livres
- Voltmètre/fréquence/mètre

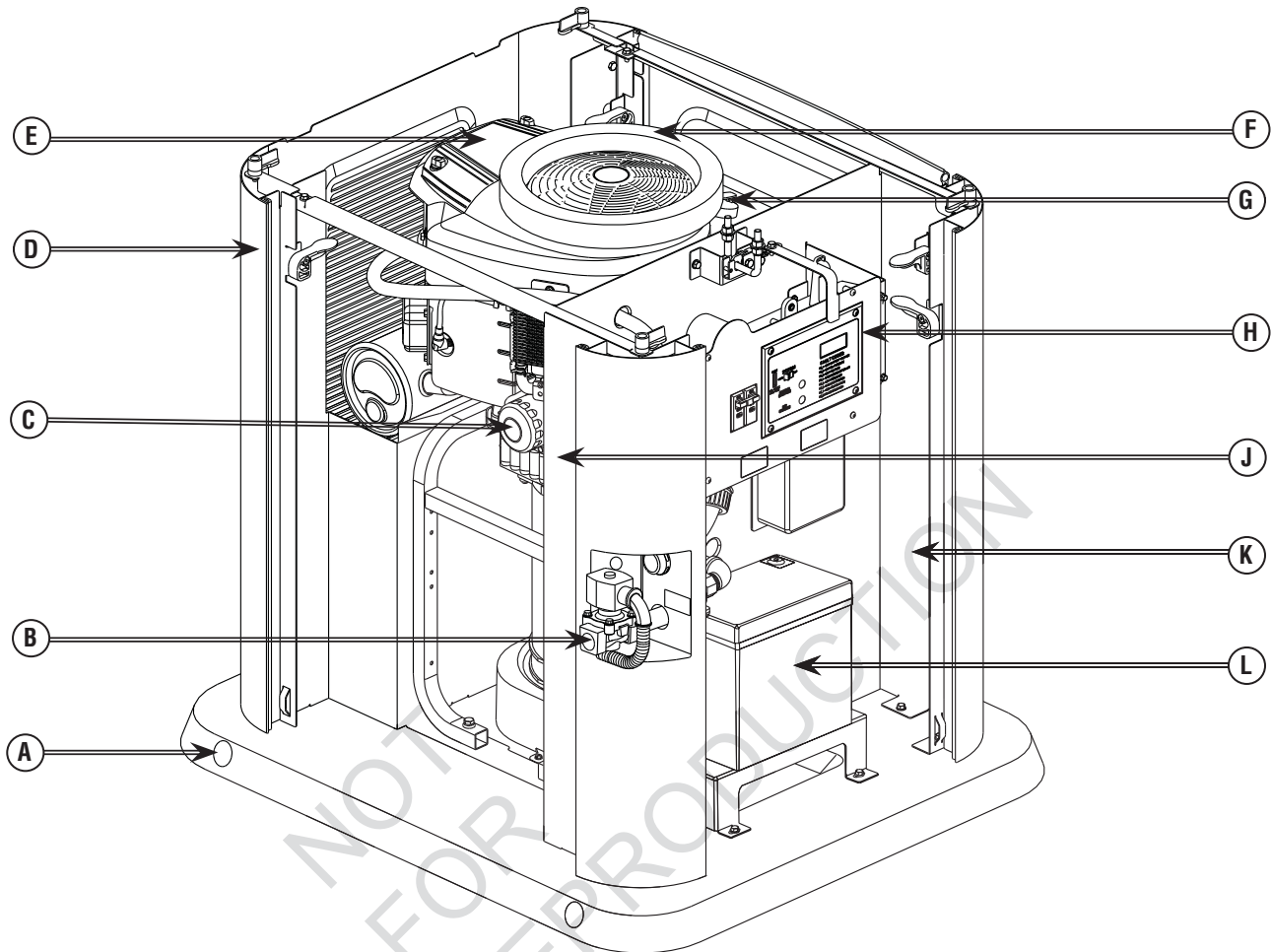
# Commandes

## Groupe électrogène



Lire ce manuel de l'utilisateur et les *Directives de sécurité importantes* avant de faire marcher votre générateur.

Comparez les illustrations avec votre générateur pour vous familiariser avec l'emplacement des diverses commandes et réglages. **Gardez ce manuel pour le consulter plus tard.**



La génératrice est illustrée sans les portes d'accès afin de mieux la voir.

**A - Pochette de evage** - Fourni à chaque coin pour soulever de génératrice.

**B - Orifice d'admission du combustible/solenoid du combustible** - Branchez le dispositif d'alimentation en combustible approprié à la génératrice à cet endroit.

**C - Filtre à l'huile** - Filtre l'huile du moteur afin d'en prolonger la durée de vie utile.

**D - Orifice d'échappement** - Silencieux haute performance qui réduit le bruit du moteur afin de se conformer à la plupart des codes en milieu résidentiel.

**E - Filtre à air** - Utilise un élément de filtre du type sec et un pré-filtre en mousse pour limiter le montant de saleté et de poussières entrant dans le moteur.

**F - Plaque du moteur** - Identifie le modèle ainsi que le type de moteur.

**G - Bouchon de remplissage et jauge d'huile** - Vérifiez le niveau d'huile et remplissez le moteur avec l'huile recommandée ici.

**H - Tableau de commande** - Utilisé pour diverses fonctions d'essai, de fonctionnement et d'entretien. Voir Tableau de commande de système.

**J - Boyau de vidange d'huile** - Fourni afin de faciliter les changements d'huile. La couverture localisée d'accès intérieur sur le panneau latéral.

**K - Décalque apposé sur l'unité** - Identifie l'unité par son numéro de série.

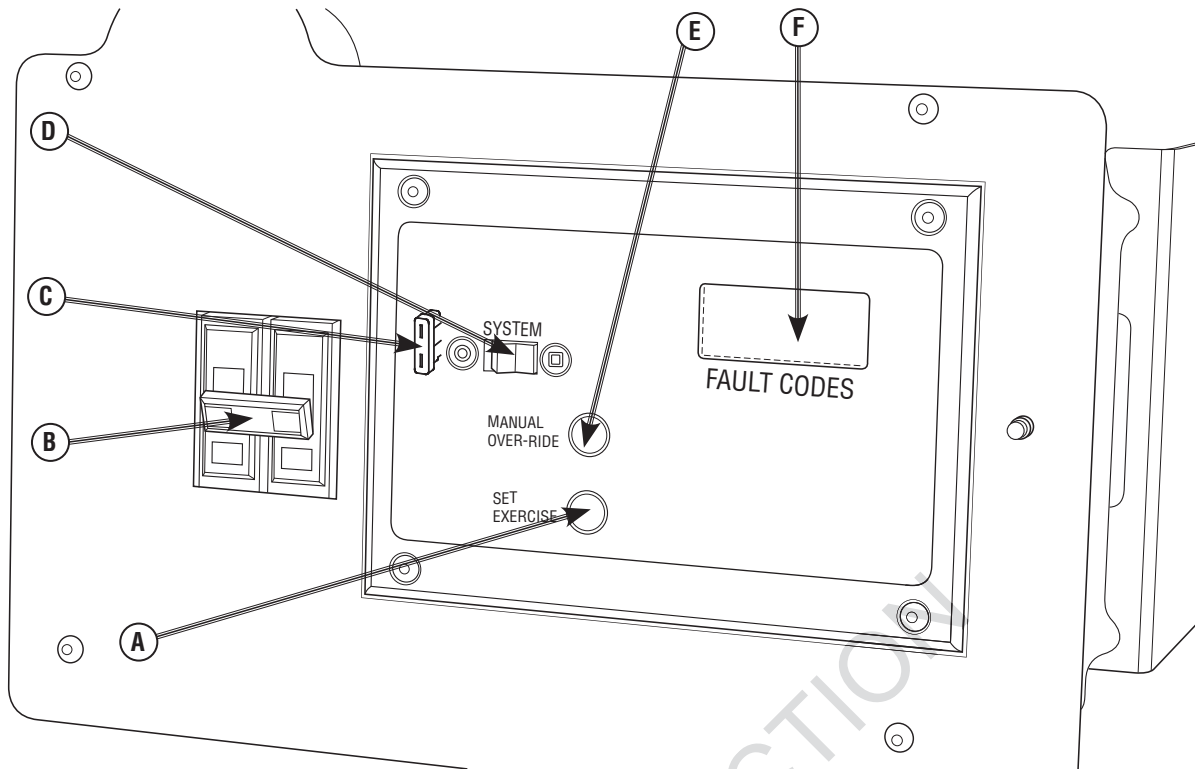
**L - Batterie** - (fournis par l'installateur) - La batterie reçoit une charge à faible débit lorsque la génératrice n'est pas en marche.

Français

fr

## Tableau de commande de système

Comparez la présente illustration au tableau de commande de votre génératrice afin de vous familiariser avec l'emplacement des importantes commandes suivantes:



**A - SET EXERCISE (Interrupteur de réglage du cycle d'exercice)** - Utilisé pour régler le jour et l'heure du début du cycle d'exercice. Le cycle d'exercice ne s'exécute qu'en mode AUTO.

**B - Coupe-circuits** - Protège le système contre les courts-circuits et autres conditions de surintensité. Celui-ci doit être en position ON pour alimenter le commutateur de transfert automatique.

**C - Fusible de 15 A** - Protège les circuits de commande C.C. du groupe électrogène. Si le fusible est grillé (fondu et ouvert) ou a été enlevé, le moteur ne peut être lancé ou démarré. Remplacez le fusible grillé uniuement par un fusible ATO identique de 15 A.

**D - Interrupteur de système** - Ce dispositif à deux positions est la commande la plus importante du système et s'utilise comme suit:

- La position normale de fonctionnement est la position "AUTO". Si une panne d'électricité est détectée, le système démarrera la génératrice. Lorsque l'électricité est rétablie, laissez le moteur stabiliser les températures internes, fermez la génératrice et attendez la prochaine panne d'électricité.
- La position "OFF" ferme la génératrice quand elle fonctionne, ce qui empêche l'unité de démarrer et de remettre à zéro toute détection de panne.

**E - MANUAL OVER-RIDE (Interrupteur de surpassement manuel)** - Lorsque l'interrupteur de système est à la position AUTO, maintenez le bouton enfoncé pendant six secondes pour démarrer la génératrice. Pour éteindre la génératrice, maintenez le bouton de surpassement manuel enfoncé jusqu'à ce que le moteur s'arrête.

**F - Affichage numérique** - Affiche le nombre total d'heures de fonctionnement de la génératrice et les codes de défaillance. Utilisé pour planifier les tâches d'entretien et le dépannage des problèmes de fonctionnement du groupe électrogène résidentiel. Un chiffre constant affiché indique le nombre total des heures de fonctionnement. Lors de conditions de défaillance, « FC » clignote suivi d'un code de défaillance. Toutes les conditions de panne sont décrites dans la section Système de détection des défaillances.

## Portes d'accès

Un jeu de clés identiques est fourni avec chaque génératrice résidentielle. Ces clés s'adaptent aux serrures qui verrouillent les portes d'accès du tableau de commande.

### Pour ouvrir une porte d'accès :

1. Insérez une dans la serrure de la porte d'accès et tournez la clé d'un quart de tour dans le sens antihoraire.
2. Retirez la clé.

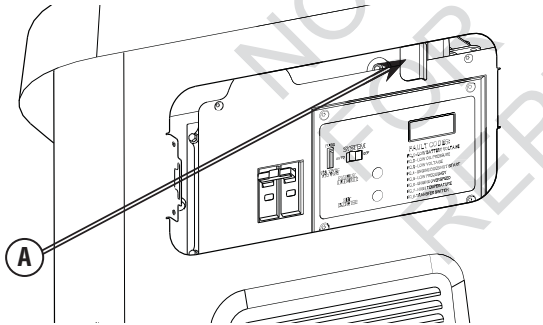
### Pour fermer une porte d'accès :

1. Fermez la porte du tableau de commande et insérez une clé dans la serrure et tournez la clé d'un quart de tour dans le sens horaire.
2. Retirez la clé.

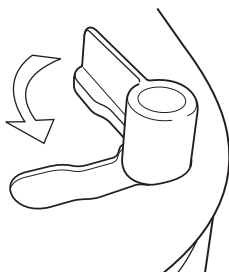
La génératrice résidentielle est dotée d'un toit et de panneaux latéraux amovibles pour l'entretien simple.

### Pour enlever le toit et le séparateur :

1. Ouvrez la porte d'accès du tableau de commande.
2. Réglez le disjoncteur de la génératrice à la position **OFF**.
3. Réglez l'interrupteur du système du tableau de commande à **OFF**.
4. Retirez le fusible de 15 A du tableau de commande
5. Appuyez sur le verrou (A) de toit jusqu'à ce que le toit se soulève légèrement.

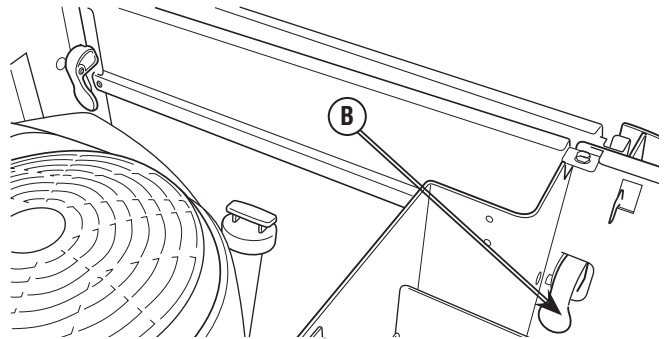


6. Soulevez le toit de la génératrice.
7. Tournez les boutons d'un quart de tour et soulevez le séparateur.
8. Remplacez le séparateur et le toit dans l'ordre inverse.



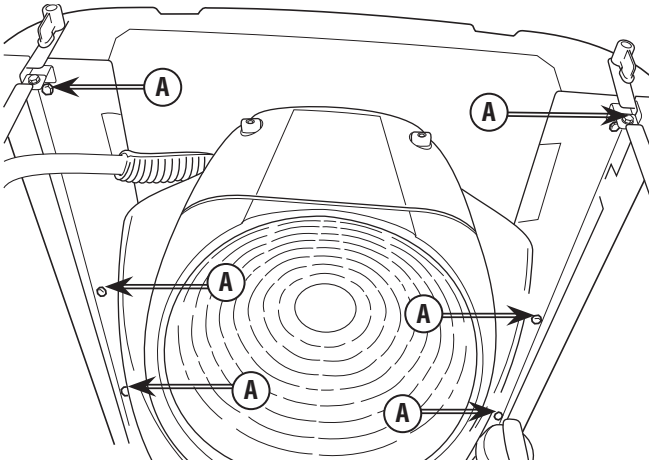
### Pour retirer les panneaux latéraux :

1. Ouvrez la porte d'accès du tableau de commande
2. Réglez le disjoncteur de la génératrice à la position **OFF**.
3. Réglez l'interrupteur du système du tableau de commande à **OFF**.
4. Retirez le fusible de 15 A du tableau de commande.
5. Retirez le toit et le séparateur.
6. Soulevez les verrous (B) des deux côtés du panneau pour le libérer.

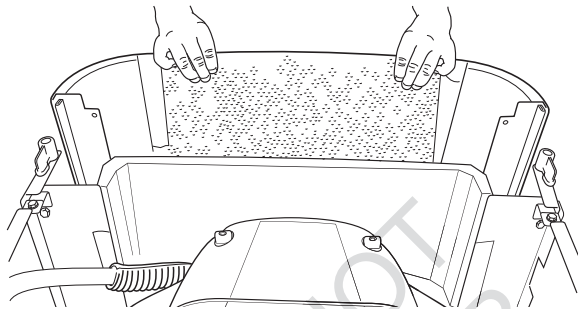


### Pour retirer le panneau d'échappement:

1. Retirez le toit et le séparateur.
2. Retirez les panneaux latéraux.
3. Enlevez les 6 vis (A) du panneau d'échappement.



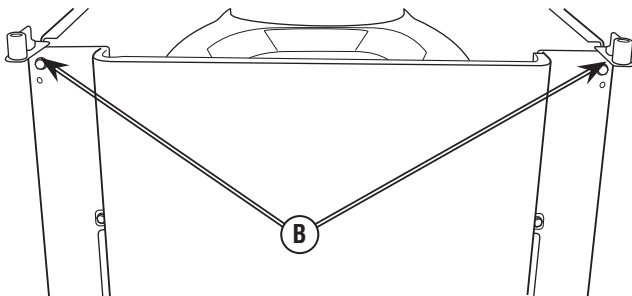
4. Tirez le panneau d'échappement vers le haut et à l'extérieur de la base.



**▲ AVERTISSEMENT** Tout contact avec la zone du silencieux peut causer des brûlures graves.



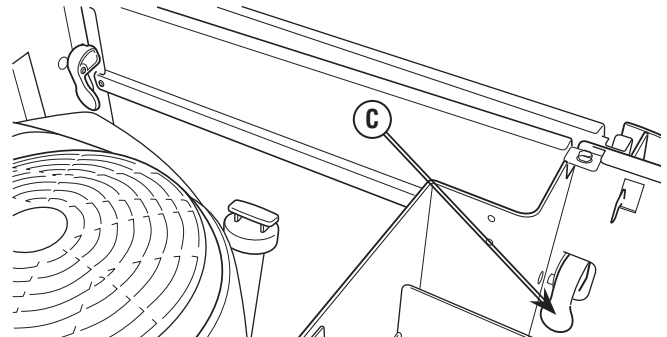
- NE touchez PAS aux pièces chaudes et évitez le contact avec les gaz d'échappement.
- Laissez l'équipement refroidir avant de le toucher.



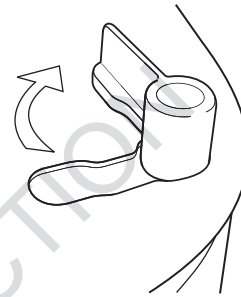
5. Retirez les deux vis (B) et le couvercle du silencieux.
6. Remplacez le couvercle du silencieux et le panneau d'échappement dans l'ordre inverse.

### Pour installer les panneaux latéraux:

1. Placez le panneau dans la rainure et faites-le glisser en place.
2. Appuyez sur les verrous (C) des deux côtés du panneau pour les fixer.



3. Remplacez le séparateur et tournez les boutons d'un quart de tour pour les verrouiller en place.



4. Remplacez le toit.



# Fonctionnement

## Considérations importantes pour le propriétaire

### Huile à moteur

**AVIS** Toute tentative de démarrer le moteur avant qu'il ait été rempli avec l'huile recommandés entraînera une panne de l'équipement.

- Consultez la section *Entretien* des manuels d'utilisation et du moteur au sujet du remplissage de l'huile.
- La garantie sera annulée si des dommages à l'équipement sont entraînés par le manquement à se conformer à cette directive.

Ce moteur a été testé en usine et est livré rempli d'huile synthétique (API SJ/CF 5W-30). Cela permet au système de fonctionner dans une plage élargie de températures et de conditions climatiques. Avant de démarrer le moteur, vérifiez le niveau d'huile et assurez-vous que le moteur a subi l'entretien décrit dans le Manuel d'utilisation du moteur.

### Batterie

L'installateur doit fournir une batterie de démarrage rechargeable de 12 volts. Voir *Batterie* dans la section *Considérations pour l'installation finale* du manuel d'installation.

**▲ AVERTISSEMENT** Les bornes, les cosses ainsi que tous les accessoires reliés à la batterie contiennent du plomb et des composés de plomb - produits chimiques reconnus par l'État de la Californie comme causant des cancers et d'autres problèmes de reproduction. Nettoyez-vous les mains après la manipulation.

Alors que la batterie est installée, que tous les câbles reliant le commutateur de transfert et le groupe électrogène sont branchés, que l'électricité de service est fournie au commutateur de transfert automatique et que l'unité est en mode **AUTO**, la batterie reçoit une charge à faible débit si le moteur n'est pas en marche. La charge à faible débit ne peut être utilisée pour recharger une batterie complètement à plat.

### Fusible de 15 ampères

Le fusible de 15 A de la génératrice a été retiré à l'usine afin d'empêcher l'unité de démarrer durant le transport. Votre installateur s'assurera que le fusible est correctement remis en place après l'installation de la génératrice.

## Fonctionnement automatique

Pour actionner le fonctionnement automatique, suivez la procédure décrite ci-dessous :

1. Confirmez qu'un fusible de 15 A est installé dans le tableau de commande.
2. Réglez à **ON** le disjoncteur principal du panneau de distribution qui alimente la tension de service vers le commutateur de transfert.
3. Réglez le disjoncteur principal de la génératrice en position **ON**.
4. Réglez l'interrupteur de système du tableau de commande à **AUTO**.

**▲ ATTENTION** L'installation du fusible 15 A du panneau électrique pourrait entraîner le démarrage du moteur.

- Prenez note que, avant l'expédition, le fusible de 15 Ampères a été retiré du panneau électrique.
- N'installez PAS ce fusible avant que toute la plomberie et le câblage n'aient été complétés et vérifiés.

## Vérification du fonctionnement automatique

Pour vérifier si le fonctionnement automatique du système est adéquat, procédez comme suit:

1. Mettez hors tension l'interrupteur de débranchement ou le disjoncteur principal du panneau de distribution qui alimente le commutateur de transfert automatique. Lorsqu'il y aura baisse de tension et que le temps imparti du capteur sera écoulé, le moteur sera lancé et démarrera. Laissez le système compléter la totalité de sa séquence de fonctionnement automatique.
2. Alors que la génératrice alimente ses charges, mettez sous tension l'interrupteur de débranchement ou le disjoncteur principal du panneau de distribution qui alimente le commutateur de transfert automatique.
3. L'interrupteur de transfert automatique transférera les charges à l'alimentation de service après 5 minutes de fonctionnement minimum et du rétablissement de l'électricité.
4. La génératrice fonctionnera une minute de plus pour refroidir le moteur, puis s'arrêtera.

Si l'électricité est rétablie et que la génératrice ne s'arrête pas après 10 minutes, réglez l'interrupteur du système à **OFF** et appelez votre installateur ou votre centre de service local.

Cela complète les procédures d'essais du fonctionnement automatique. Le groupe électrogène démarrera automatiquement lors d'une panne électrique et alimentera le commutateur de transfert de circuits essentiels.



## Réglage de la minuterie du cycle d'exercice

Le groupe électrogène est muni d'une minuterie de cycle d'exercice qui se met en marche et vérifie le système une fois par semaine. Au cours de ce cycle d'exercice, l'unité fonctionne durant une douzaine de 20 minutes, puis s'arrête. Le transfert de charge électrique N'A PAS lieu durant le cycle d'exercice (sauf si une panne de courant survient).

Un bouton du tableau de commande est étiqueté « SET EXERCISE » (voir Tableau de commande du système). Le jour et l'heure particuliers auxquels ce bouton est pressé sont programmés dans la mémoire du tableau de commande. Ce jour et cette heure sont alors utilisés pour initialiser automatiquement le cycle d'exercice du système. La légende « SET EXERCISE » du tableau de commande clignote jusqu'à ce que le cycle d'exercice soit réglé.

### Pour exécuter la procédure de réglage du cycle d'exercice:

1. Choisissez le jour et l'heure à laquelle vous désirez que le cycle d'exercice du groupe électrogène ait lieu.
2. À cette journée et heure, appuyez et maintenez enfoncé l'interrupteur "Set Exercise" pendant trois secondes.

Le "Set Exercise" l'affichage illuminera alors éteint pour confirmer que le minuteur d'exercice a été réglé. Alors relâcher le bouton Fixe d'Exercice.

L'unité coudera et courra le cycle d'exercice. Pendant le cycle, Régler l'Exercice illuminera.

Une fois le cycle d'exercice est complet, l'unité éteindra et "Set Exercise" fera non plus long est affiché.

Le cycle d'Exercice pourrait être interrompu à n'importe quand en tournant le Commutateur de Système à LOIN.

3. Pendant sept jours plus tard l'unité puis entreprendra son cycle d'exercice de 20 minutes par semaine.

Par exemple, si vous appuyez « SET EXERCISE » de réglage du cycle d'exercice le dimanche à 10 h, l'unité exécutera un cycle d'exercice puis fera de même tous le dimanche matin à 10 h (+/- ½ heure).

Le réglage du cycle d'exercice ne fonctionnera que si l'unité est en mode AUTO et que si la procédure exacte est suivie. Vous devrez reprogrammer le cycle d'exercice si vous enlevez ou remplacez le fusible de 15 A ou si la batterie de démarrage est débranchée.

Si vous voulez changer le jour et l'heure du cycle d'exercice, vous n'avez qu'à exécuter à nouveau la procédure de "Réglage de la minuterie du cycle d'exercice" le jour et à l'heure exacte à laquelle vous voulez que le cycle d'exercice ait lieu.

Si un temps d'exercice n'est pas définie, le générateur ne pourra jamais exercer.

# Entretien

## Arrêt du système

Avant de procéder à l'entretien de la génératrice, suivez toujours les étapes suivantes.

1. Réglez le disjoncteur de la génératrice en position **OFF**.
2. Réglez l'interrupteur de système du tableau de commande à **OFF**.
3. Retirez le fusible de 15 A du panneau de commande.
4. **De la tension de service est présente au tableau de commande de la génératrice.** Débranchez l'alimentation avant d'effectuer l'entretien du tableau de commande en retirant les deux fusibles du commutateur de transfert.
- 5 Une fois l'entretien terminé, remplacez les fusibles dans le commutateur de transfert, remplacez le fusible de 15 ampères dans le tableau de commande, réglez l'interrupteur du système et le disjoncteur à **ON** puis réinitialisez la minuterie du cycle d'exercice. Voir *Réglage de la minuterie du cycle d'exercice*.

## Système de détection des pannes

La génératrice fonctionnera sans doute sur de longues périodes sans la présence d'un opérateur. C'est pourquoi le système est muni de capteurs qui arrêtent automatiquement la génératrice lorsque surviennent des problèmes potentiels, tels une faible pression de l'huile, une température de l'huile élevée, l'emballement du moteur, et d'autres conditions.

Le tableau de commande de la génératrice est doté d'un affichage numérique qui indique des codes de défaillance, par exemple « FC\_1 ». Le tableau ci-dessous indique la défaillance détectée, le code de défaillance tel qu'il est affiché sur le tableau de commande ainsi que le nombre de clignotements du voyant DEL à distance en option.

Description du problème	Code de défaillance
Faible tension de la batterie	FC_1
Faible pression d'huile	FC_2
Basse tension	FC_3
Le moteur ne démarre pas	FC_4
Fréquence basse	FC_5
Emballement du moteur	FC_6
Température élevée	FC_7
Défaillance du commutateur de transfert	FC_8

Le voyant DEL à distance est installé à l'intérieur, dans un endroit pratique. La DEL reste allumée lorsque la génératrice est en mode **AUTO**. Si une défaillance du système est détectée, la DEL clignote un certain nombre de fois pour indiquer la défaillance. Les séries de clignotements sont séparées par une courte pause.

## Réarmement du système de détection des pannes

L'opérateur doit réarmer le système de détection des pannes chaque fois que celui-ci est activé. Pour ce faire, placez l'interrupteur de système en position **OFF** durant au moins 30 secondes. Après avoir corrigé le problème, remettez le groupe électrogène en service en plaçant l'interrupteur de système en position **AUTO**. Installez ensuite le fusible de 15 ampères dans le tableau de commande puis réinitialisez la minuterie du cycle d'exercice. Voir *Réglage de la minuterie du cycle d'exercice* à la section *Fonctionnement*.

Voici une description de chaque panne, ainsi que des suggestions pour les résoudre:

### Aucun DEL - Batterie déchargée

Si une défaillance est détectée, mais que la DEL ne clignote pas, cela signifie que la batterie est complètement déchargée. Pour remédier à ce problème, enlevez le fusible de 15 ampères et débranchez la batterie de la génératrice. Apportez la batterie chez un fournisseur local pour fins d'analyse. Lorsque la batterie est entièrement rechargée, remplacez-la dans son compartiment en vous assurant de brancher le câble **NÉGATIF** en dernier lieu. Remettez à zéro alors le système de détection des pannes comme décrit plus tôt.

### Faible tension de la batterie (FC\_1)

Cette défaillance est indiquée par le code de défaillance FC\_1 et un clignotement sur le voyant DEL. Cette situation se produit si la génératrice ne peut démarrer parce que la puissance de la batterie est inférieure au minimum requis pour lancer le moteur. Ce problème peut être causé par une batterie défectueuse ou par une panne du circuit de charge à faible débit.

Pour régler le problème, appelez votre centre de service local pour vérifier la puissance de la charge à faible débit de la batterie. Ôtez le fusible de 15 ampères et débranchez la batterie de la génératrice. Amenez la batterie chez un fournisseur local pour fins d'analyse.

Remplacez la batterie si nécessaire – voir *Batterie* dans la section *Considérations pour l'installation finale* du Manuel d'installation. Puis réarmez le système de détection des pannes, tel qu'indiqué ci-dessus.

### **Faible pression d'huile (FC\_2)**

Cette défaillance est indiquée par le code de défaillance FC\_2 et deux clignotements sur le voyant DEL à distance. L'unité est munie d'un manoccontact d'huile utilisant des contacts normalement fermés qui sont maintenus ouverts par la pression de l'huile du moteur lorsque celui-ci est en marche. Si la pression d'huile baisse sous les 8 lb/po<sub>2</sub>, les manoccontacts se referment et le moteur s'arrête.

Pour régler un problème de faible pression d'huile, ajoutez l'huile recommandée jusqu'à la marque FULL de la jauge d'huile.

Si la pression d'huile est toujours faible, le moteur démarrera pour ensuite s'arrêter à nouveau. Le code de défaillance apparaîtra, et la DEL clignotera. Le cas échéant, contactez un détaillant autorisé.

### **Basse tension (génératrice, FC\_3)**

Cette défaillance est indiquée par le code de défaillance FC\_3 et trois clignotement sur le voyant DEL. Une telle panne est causée par une restriction du débit de combustible, un fil de signal cassé ou débranché, une panne d'enroulement de l'alternateur, l'ouverture du coupe-circuits du tableau de commande ou parce que le groupe électrogène est surchargé.

Pour régler ce problème, appelez votre centre de service local.

### **Le moteur ne démarre pas (FC\_4)**

Cette défaillance est indiquée par le code de défaillance FC\_4 et quatre clignotement sur le voyant DEL. Cette caractéristique du système empêche la génératrice de s'infliger des dommages en tentant continuellement de démarrer en dépit de la présence d'un autre problème, comme par exemple un manque de combustible. Chaque fois que le système reçoit le signal de démarrage, l'unité se lance durant 10 secondes, fait une pause de 10 secondes, se lance durant 10 secondes, fait un pause de 10 secondes, et ainsi de suite. Si, après environ 2 minutes, le système ne commence pas à produire de l'électricité, l'unité s'arrête et le voyant clignote.

Assurez-vous que le disjoncteur principal de la génératrice est à la position **ON** (fermé) de sorte que les électrodes à capteur vérifient le fonctionnement de l'appareil.

La source la plus probable de ce problème est le manque de combustible. Vérifiez si les valves de fermeture interne et externe du combustible sont entièrement ouvertes. D'autres causes par une défectuosité de l'un des composants du moteur. Si vous n'êtes pas en mesure de résoudre ces problèmes, demandez l'aide de votre installateur. Une fois le problème corrigé, réarmez le système de détection des pannes, tel que décrit ci-dessus.

### **Basse fréquence (FC\_5)**

Cette défaillance est indiquée par le code de défaillance FC\_5 et cinq clignotements sur le voyant DEL. Cette caractéristique protège les appareils branchés au commutateur de transfert en arrêtant la génératrice si le régime du moteur est inférieur à 55 Hz pendant trois secondes.

Ce problème est causé par une défectuosité de l'un des composants du moteur ou par des charges excessives sur la génératrice. Pour régler ce problème, communiquez avec votre installateur ou un détaillant autorisé.

### **Emballement du moteur (FC\_6)**

Cette défaillance est indiquée par le code de défaillance FC\_6 et six clignotement sur le voyant DEL. Cette caractéristique protège les appareils branchés au commutateur de transfert des circuits essentiels en arrêtant la génératrice si le régime du moteur est plus rapide que la limite préétablie. Le problème d'emballement est détecté comme suit :

- Si la fréquence de sortie de la génératrice est 65-70 Hz, après trois secondes, la génératrice s'arrête.
- Si la fréquence de sortie de la génératrice est plus grand que 70 Hz, la génératrice s'arrête instantanément.

Ce problème est causé par une défectuosité du régulateur de régime. Pour y remédier, vous devrez obtenir l'aide de votre installateur ou du service technique.

### **Température élevée (FC\_7)**

Cette défaillance est indiquée par le code de défaillance FC\_7 et par sept clignotements du voyant DEL. Les thermocontacts sont normalement ouverts. Si la température du moteur dépasse environ 149 °C (300 °F), la défaillance est détectée, et le moteur s'arrête.

Les causes habituelles de cette avarie incluent le fonctionnement de l'unité avec les portes d'accès enlevées, l'obstruction de l'entrée d'air ou de l'orifice d'échappement, la faiblesse du niveau d'huile ou la présence de débris dans le compartiment du moteur.

Pour résoudre ce problème, enlevez toute accumulation de débris ainsi que toute obstruction, et laissez refroidir le moteur. Lorsque l'unité est en marche, assurez-vous que les portes de l'orifice de remplissage d'huile et d'accès du tableau de commande sont installées.

### **Défaillance du commutateur de transfert (FC\_8)**

Cette défaillance est indiquée par le code de défaillance FC\_8 et huit clignotements sur le voyant DEL (lorsque le commutateur de transfert est doté de la détection de défaillance).

Pour régler ce problème, vous devez demander l'aide de l'installateur ou de votre centre de service local.

## Entretien

Follow the hourly or calendar intervals of operation, whichever occurs first.

<b>Premier 5 heures</b>
Changer l'huile de moteur
<b>Toutes les 8 heures ou à tous les jours</b>
Nettoyer les débris
Vérifier le niveau d'huile du moteur
<b>Toutes les 100 heures ou 1 fois l'an</b>
Changer le filtre à huile
Changer l'huile à moteur et le filtre
Remplacer la bougie d'allumage
Vérifier le jeu des soupapes
<b>1 fois l'an</b>
Nettoyer le système de refroidissement
Vérifier le circuit d'alimentation
Vérifier du système d'échappement
Test de fonctionnement du système (simulation de panne électrique)

Un entretien régulier améliorera la performance et prolongera la durée de vie de la génératrice. Consultez un détaillant autorisé au sujet de l'entretien.

**AVIS** Une fois par année, vous devez remplacer les bougies d'allumage et le filtre à air. Une nouvelle bougie d'allumage et un filtre à air propre permettent de s'assurer que le mélange combustible-air est adéquat en plus de contribuer au meilleur fonctionnement de votre moteur et d'augmenter sa durée de vie. Vérifiez également les conduites de carburant pour les fuites.

### Contrôle des émissions

**L'entretien, le remplacement ou la réparation des dispositifs et systèmes antipollution peuvent être effectués par un établissement de réparation de moteurs hors route ou par une personne qualifiée.** Pour obtenir un entretien « sans frais » du dispositif antipollution, le travail doit être effectué par un détaillant autorisé par le fabricant. Voir la Garantie du dispositif antipollution.

### Entretien du générateur

La garantie de la génératrice ne couvre pas les éléments soumis à l'abus ou à la négligence de l'opérateur. Pour obtenir la pleine application de la garantie, il faut que l'opérateur maintienne le système conformément aux instructions du manuel d'utilisation du moteur.

Certains ajustements devront être faits périodiquement pour assurer un entretien adéquat de la génératrice.

Il faut effectuer toutes les opérations d'entretien et les réglages au moins une fois par saison. Suivez les instructions du Calendrier d'entretien ci-dessus.

## Entretien de moteur

**⚠ AVERTISSEMENT** Une étincelle involontaire peut causer un incendie et un choc électrique et entraîner la mort et des blessures graves.

LORSQUE VOUS RÉGLEZ OU RÉPAREZ VOTRE GÉNÉRATRICE

- Débranchez toujours le câble de bougie et placez-le de façon à ce qu'il ne soit pas en contact avec la bougie.

LORS DE TESTS D'ALLUMAGE DU MOTEUR

- Utilisez un vérificateur de bougies d'allumage approuvé.
- **NE VÉRIFIEZ PAS** l'allumage lorsque la bougie d'allumage est enlevée.

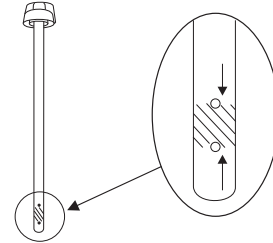
## l'Huile moteur

Le système est rempli avec de l'huile synthétique (API SJ/CF 5W-30). Cela permet au système de fonctionner dans une plage élargie de températures et de conditions climatiques.

Nous recommandons l'utilisation des huiles certifiées par garantie Briggs & Stratton pour obtenir une meilleure performance. Les autres huiles détergentes de haute qualité sont acceptables si elles ont les cotes pour service SF, SG, SH, SJ ou plus. N'utilisez PAS d'additifs spéciaux.

## Vérification/ajout d'huile à moteur

1. Retirez le toit et le séparateur.
2. Nettoyez le périmètre du goulot de remplissage d'huile de toutes saletés.
3. Retirez la jauge et essuyez-la avec un chiffon propre.
4. Insérez la jauge d'huile dans l'orifice de remplissage d'huile.
5. Enlevez la jauge et vérifiez le niveau d'huile. Vérifiez si l'huile atteint le repère maximum (« Full ») de la jauge d'huile.



6. Au besoin, versez lentement l'huile synthétique dans l'orifice de remplissage. **NE remplissez PAS en excès.** Après avoir ajouté l'huile, attendez une minute, puis revérifiez le niveau d'huile.

**AVIS** Un excès d'huile peut empêcher le moteur de démarrer ou rendre le démarrage difficile.

- **NE remplissez PAS en excès.**
  - Si l'huile dépasse le repère maximum (« FULL ») sur la jauge d'huile, vidangez l'huile pour abaisser le niveau jusqu'au repère maximum de la jauge.
7. Remettez la jauge en place et serrez-la.
  8. Remplacez le toit et le séparateur.

## Changement d'huile à moteur

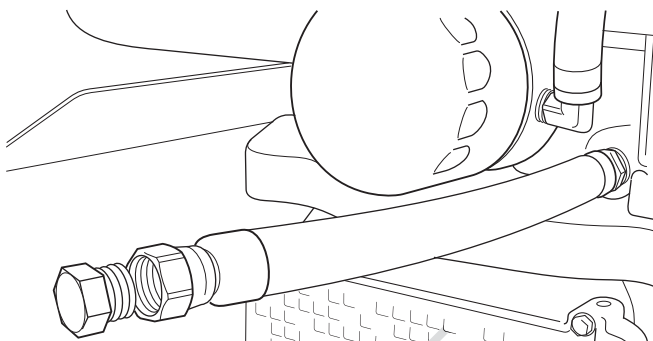


GARDEZ HOS DE PORTÉE DES ENFANTS. NE POLLUEZ PAS. CONSERVEZ LE SURPLUS. RAPPORTEZ L'HUILE USAGÉE AUX CENTRES DE RECYCLAGE.

1. Réglez l'interrupteur de système du tableau de commande à OFF.
2. Retirez le fusible de 15 A du panneau de commande.
3. Placez le boyau de vidange d'huile dans un récipient approuvé.
4. Retirez le raccord en laiton de l'extrémité du boyau.

Changez l'huile lorsque le moteur est encore chaud, comme décrit dans le manuel d'utilisation du moteur.

5. Une fois l'huile vidangée, remplacez le raccord en laiton sur le boyau.
6. Ajoutez l'huile sinon changeant le filtre à huile. Voir ci-dessous.



## Changement du filtre à huile

1. Placez un contenant approuvé sous le filtre à huile.
2. Enlevez le filtre à huile et jetez-le de façon appropriée.
3. Avant l'installation du nouveau filtre à huile, lubrifiez légèrement le joint d'étanchéité du filtre à l'huile avec de l'huile fraîche et propre.
4. Installez le filtre à huile à la main jusqu'à ce que le joint d'étanchéité touche l'adaptateur de filtre à huile, puis serrez le filtre à huile de 1/2 à 3/4 de tour.
5. Ajoutez de l'huile tel que décrit dans Vérification/ajout d'huile à moteur.
6. Retirez le contenant sous le filtre à huile et nettoyez tout déversement d'huile.
7. Démarrez et faites fonctionner le moteur. Vérifiez s'il y a des fuites d'huile pendant que le moteur se réchauffe.
8. Arrêtez le moteur, attendez que l'huile de régler et vérifiez le niveau d'huile et ajoutez de l'huile au besoin tel que décrit dans.

AVIS Toute tentative de démarrer le moteur avant qu'il ait été rempli avec l'huile recommandés entraînera une panne de l'équipement.

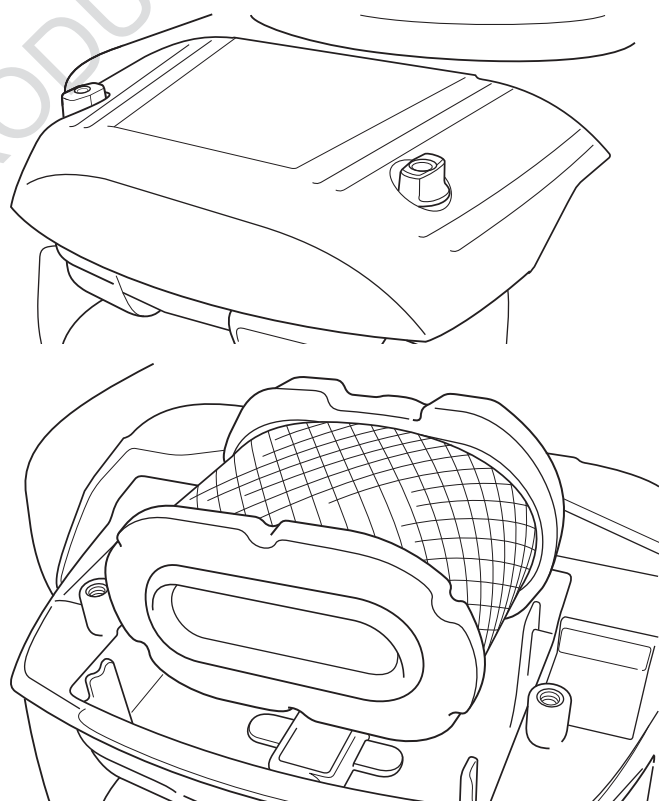
- NE tentez PAS de démarrer le moteur sans qu'il n'ait été rempli correctement avec l'huile recommandée. Cela risquerait d'entraîner un bris de moteur
- La garantie sera annulée si des dommages à l'équipement sont entraînés par le manquement à se conformer à cette directive.

## Entretien du filtre à air

Votre moteur ne fonctionnera pas adéquatement et pourrait s'endommager si vous le faites fonctionner avec un filtre à air sale. Si vous utilisez la génératrice dans des endroits très sales ou poussiéreux, nettoyez-le ou remplacez-le plus souvent.

Pour faire l'entretien du filtre à air, procédez comme suit:

1. Dévissez les boutons et retirez le couvercle. Retirez le filtre à air en soulevant son extrémité vers le haut et vers l'extérieur.
2. Pour dégager les débris, frappez doucement le filtre à air sur une surface dure. Si le filtre à air est excessivement sale, remplacez-le par un nouveau filtre à air.
3. Installez un filtre à air propre (neuf) à l'intérieur de la base et poussez-le jusqu'à ce qu'il se mette en place. Voir Spécifications.
4. Remplacez le couvercle et serrez les boutons.

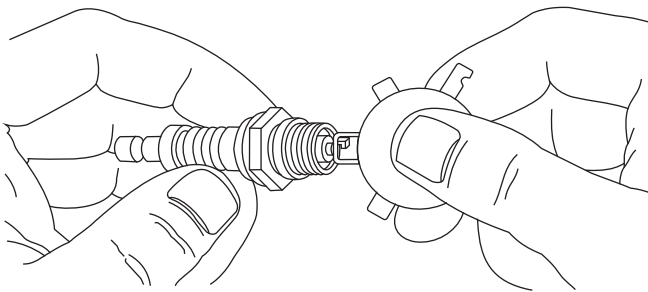




## Entretien des bougies d'allumage

Le remplacement des bougies d'allumage facilite le démarrage du moteur et améliore son fonctionnement.

1. Nettoyez la surface autour de la bougie d'allumage.
2. Enlevez la bougie d'allumage et examinez-la.
3. Vérifiez l'écartement des électrodes à l'aide d'une jauge d'épaisseur et ajustez l'écartement des électrodes selon les spécifications recommandées au besoin (voir Spécifications).
4. Si les électrodes sont piquées, brûlées ou que la porcelaine est craquée, changez la bougie. Voir Spécifications.
5. Utilisez la bougie d'allumage de remplacement à 180 po / lb (20 Nm).



## Installez la bougie d'allumage et serrez-la solidement

Avec le temps, les débris peuvent s'accumuler dans les ailettes de refroidissement du cylindre et ne peuvent être repérés que par un désassemblage partiel du moteur. Une circulation d'air sans obstruction est essentielle au bon fonctionnement de la génératrice. Nous vous recommandons donc de demander à un distributeur de service qualifié de nettoyer le système de refroidissement aux intervalles recommandés (voir Calendrier d'entretien au début de la section Entretien). Il est aussi important de garder la partie supérieure du moteur libre de débris.

Assurez-vous que les ailettes de refroidissement d'huile sont libres de saletés et de poussière. Voir aussi la section Nettoyage.

## Inspection et entretien du circuit d'alimentation

### Système au gaz naturel/propane

Le circuit d'alimentation installé dans ce moteur industriel a été conçu en fonction de diverses normes afin d'assurer la performance et la fiabilité. Pour assurer la conformité à ces normes, veuillez suivre l'horaire d'entretien recommandé décrit dans cette section.

### Inspection et entretien du régulateur de pression

**REMARQUE** Les composants du régulateur de pression ont été conçus et calibrés spécifiquement afin de satisfaire aux exigences du circuit d'alimentation du moteur.

Si le régulateur devient défectueux ou présente une fuite, il doit être réparé ou remplacé avec les pièces de remplacement recommandées du fabricant d'équipement. Lors de l'inspection du régulateur, vérifiez les éléments suivants :

- Vérifiez si des fuites sont présentes à l'admission et aux raccords de sortie.
- Vérifiez si des fuites sont présentes dans le régulateur.
- Vérifiez si le régulateur est monté solidement et que les boulons de montage sont solides.
- Vérifiez la présence de dommages externes au régulateur.

### Inspection et entretien du dispositif de poussée/diffuseur

**REMARQUE** Les composants de poussée/diffuseur ont été conçus et calibrés spécifiquement afin de satisfaire aux exigences du circuit d'alimentation du moteur.

Lors de l'inspection du dispositif de poussée/diffuseur, vérifiez les éléments suivants :

**REMARQUE** Un filtre à air sale peut nuire considérablement à la performance du diffuseur.

- Fuites de tous les raccords.
- S'assurer que le dispositif de poussée et diffuseur sont solidement montés.
- Inspectez les éléments du filtre à air selon l'horaire d'entretien recommandé se trouvant dans cette section.
- Inspectez la connexion du boyau d'admission d'air et la bride. Inspectez la présence de fissures, de séparation ou d'hachure sur le boyau. Si l'une de ces conditions est présente, remplacez le boyau.
- Inspectez la présence de fissures, de séparation ou d'hachure sur les conduits d'essence. Si l'une de ces conditions est présente, remplacez les conduits d'essence.
- Vérifiez s'il y a des fuites sur le dispositif de poussée et le collecteur d'admission.



## Inspection et entretien du système d'échappement

Lors de l'inspection du système d'échappement, vérifiez les éléments suivants :

- Vérifiez s'il y a des fuites au niveau de la tête de cylindre du collecteur d'échappement et que tous les boulons de retenue et dispositifs de protection (si installés) sont en place.
- Inspectez les attaches du collecteur vers le tuyau d'échappement pour vous assurer de leur solidité et qu'il n'a pas de fuite d'échappement. Réparez au besoin.
- Vérifiez s'il y a des fuites à la connexion du tuyau d'échappement. Réparez au besoin.

## Test de fonctionnement du système (simulation de panne électrique)

Des outils spéciaux et un démontage partiel du système sont nécessaires pour prendre des mesures précises de la tension de sortie et de la fréquence. Nous vous recommandons donc de demander à un distributeur de service autorisé de tester le fonctionnement du système.

1. Réglez l'interrupteur de système à la position d'arrêt (**OFF**).
2. Retirez le fusible de 15 A du tableau de commande.
3. Retirez les quatre vis qui retiennent le couvercle des disjoncteurs sur le capot de l'entrée d'air.
4. Branchez un voltmètre et un fréquencemètre précis du côté ligne du disjoncteur principal de la génératrice.
5. Réglez le disjoncteur principal de la génératrice à la position **ON** (fermée).
6. Installez le fusible de 15 A dans le tableau de commande.
7. Réglez l'interrupteur de système de la génératrice à la position **AUTO**.
8. Coupez l'alimentation électrique de service. Lorsque le décompte de 10 secondes est expiré, le moteur est lancé et démarre.
9. Le commutateur de transfert passera à l'alimentation de la génératrice.
10. Appliquez différentes charges à la génératrice et observez sa performance.
11. Exposez la génératrice à des charges différentes pendant 30 minutes. Surveillez la tension de sortie et la fréquence de la génératrice pour vérifier si ses performances correspondent aux spécifications.
12. Remettez l'alimentation électrique de service.
13. Lorsque la charge est transférée à nouveau à la source d'alimentation de service, la minuterie de refroidissement du moteur s'active.
14. La génératrice fonctionnera environ une minute pour le refroidissement, puis se mettra à l'arrêt.

**REMARQUE** Le moteur doit tourner au moins 5 minutes. Si le transfert vers l'alimentation de service se produit avant 5 minutes, la génératrice fonctionnera encore pendant 5 minutes

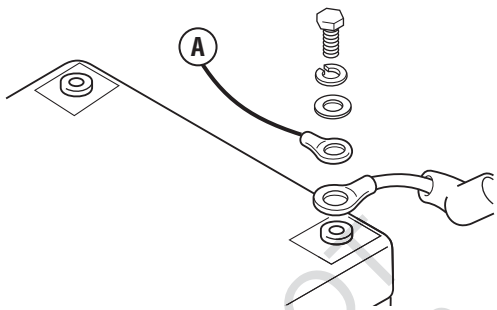
## Batterie

Entretien de batteries est être exécuté ou être surveillé par le personnel bien informé de batteries et les précautions exigées. Eloigner le personnel inautorisé des batteries.

### Entretien de la batterie

Si vous devez faire l'entretien de la batterie, procédez comme suit:

1. Réglez l'interrupteur de système de la génératrice sur **OFF**.
2. Retirez le fusible de 15 ampères du panneau électrique.
3. Entretenez et remplacez la batterie au besoin.  
Voir *Batterie* dans la section *Considérations pour l'installation finale* du manuel d'installation au sujet de la batterie spécifique requise.
4. À l'aide de la quincaillerie fournie, branchez le fil rouge de la batterie au terminal positif de la batterie (identifié par **POSITIVE, POS** ou (+)).
5. À l'aide de la quincaillerie fournie, branchez le fil noir de la batterie au terminal négative de la batterie (identifié par **NEGATIVE, NEG** ou (-)).



6. Assurez-vous que la quincaillerie des terminaux positif et de retour de la batterie sont fixés solidement.
7. Installez le fusible de 15 A dans le panneau électrique.
8. Réglez l'interrupteur de système de la génératrice sur **AUTO**.
9. Réinitialisez la minuterie du cycle d'exercice. Voir *Réglage de la minuterie du cycle d'exercice*.



NE POLLUEZ PAS. PRÉSERVEZ LES RESSOURCES.  
RETOURNEZ LA BATTERIE USÉE À UN CENTRE DE COLLECTE SÉLECTIVE.

### Rechargez la batterie

Si vous devez faire charge de la batterie, procédez comme suit:

**▲ AVERTISSEMENT** Les bornes, les cosses ainsi que tous les accessoires reliés à la batterie contiennent du plomb et des composés de plomb - produits chimiques reconnus par l'État de la Californie comme causant des cancers et d'autres problèmes de reproduction. Nettoyez-vous les mains après la manipulation.

1. Réglez l'interrupteur de système de la génératrice sur **OFF**.
2. Retirez le fusible de 15 ampères du panneau électrique.
3. À l'aide de la quincaillerie fournie, débrancher le fil noir de la batterie au terminal négative de la batterie (identifié par **NEGATIVE, NEG** ou (-)).
4. Rechargez la batterie avec le chargeur de batterie à 2 ampères jusqu'à obtention de la tension de 12 volts. NE chargez PAS la batterie à plus de 13,7 volts.

**AVIS** L'omission de débrancher le câble négatif de la batterie entraînera une panne de l'équipement.

- NE tentez PAS d'utiliser une batterie d'appoint.
- La garantie sera annulée si des dommages à l'équipement sont entraînés par le non-respect de cette directive.

#### ▲ AVERTISSEMENT



Les batteries d'accumulateur produisent du gaz hydrogène explosif lorsqu'elles se rechargent. La plus petite étincelle enflammera l'hydrogène et provoquera une explosion.

Le liquide d'électrolyte de l'accumulateur contient de l'acide et est extrêmement caustique.

Le contact avec le liquide de l'accumulateur provoquera de graves brûlures chimiques.

Toute batterie présente un risque de choc électrique et de courant de court-circuit élevé.

- NE jetez PAS la batterie dans un feu. Recyclez la batterie.
- Ne laissez aucune flamme, étincelle, source de chaleur ou cigarette allumée pendant ou plusieurs minutes suivant la charge de l'accumulateur.
- N'ouvrez PAS ni N'endommagez la batterie.
- Portez des lunettes de sécurité ainsi qu'un tablier, des bottes et des gants en caoutchouc.
- Enlevez votre montre, vos bagues et tout autre objet de métal.
- Utilisez des outils avec des poignées isolées.

#### ▲ ATTENTION



Avec l'interrupteur en position **AUTO**, le moteur peut se lancer et démarrer en tout temps sans avertissement.

- Pour éviter toute blessure potentielle qui pourrait résulter d'un tel démarrage, réglez toujours l'interrupteur de système sur **OFF**.
- Enlevez le fusible de 15 Ampères, avant de travailler sur ou autour de la génératrice ou du commutateur de transfert.

## Communications avec le Fabricant

Si vous devez communiquer avec le service technique pour l'entretien ou la réparation de cette unité, ayez en main les renseignements suivants:

1. Notez le numéro de modèle ainsi que le numéro de série de l'unité, lesquels sont indiqués sur le décalque apposé sur l'unité. Consultez *Commandes*.
2. Notez les numéros de modèle, de type et de code du moteur, lesquels sont indiqués sur la plaque apposée au moteur. Consultez le manuel d'utilisation du moteur pour savoir où trouver ces renseignements. Veuillez noter que plusieurs types de moteurs sont décrits dans le manuel d'utilisation. Il se peut donc que votre moteur diffère de celui illustré.

## Remisage

La génératrice Rheem / Ruud est conçue pour produire une alimentation de secours de façon continue. Ainsi, vous n'avez nul besoin de prendre des précautions d'entreposage. Toutefois, s'il devient nécessaire de désactiver le système durant une période prolongée, appelez le service technique de Rheem / Ruud au **877-369-9400**, entre 8 h et 17 h HNC, pour obtenir des recommandations spécifiques.

NOT  
FOR  
REPRODUCTION

# Dépannage

Problème	Cause	Solution
<b>Le moteur fonctionne, mais il n'y a aucune sortie de C.A.</b>	<ol style="list-style-type: none"> <li>1. Disjoncteur ouvert ou défectueux.</li> <li>2. Défaillance dans la génératrice.</li> <li>3. Raccords du câblage mal effectués ou commutateur de transfert défectueux.</li> </ol>	<ol style="list-style-type: none"> <li>1. Réarmez ou remplacez le disjoncteur.</li> <li>2. Contactez le centre d'entretien.</li> <li>3. Vérifiez et réparez ou Contactez le centre d'entretien.</li> </ol>
<b>Le moteur tourne bien sans charge mais connaît des ratés lorsque les charges sont branchées.</b>	<ol style="list-style-type: none"> <li>1. Court-circuit dans une des charges branchées.</li> <li>2. Surcharge de la génératrice.</li> <li>3. Court-circuit sur un circuit de la génératrice.</li> <li>4. La pression de combustible est incorrecte.</li> </ol>	<ol style="list-style-type: none"> <li>1. Débranchez la charge électrique ayant un court-circuit.</li> <li>2. Débranchez la charge électrique.</li> <li>3. Contactez le centre d'entretien</li> <li>4. Consultez la section Système de combustible gazeux du guide d'installation.</li> </ol>
<b>Le moteur ne démarre pas, ou il démarre et a des ratés.</b>	<ol style="list-style-type: none"> <li>1. Fusible de 15 Ampères manquant ou grillé.</li> <li>2. Panne de combustible.</li> <li>3. Batterie défectueuse.</li> <li>4. Filtre à air obstrué.</li> </ol>	<ol style="list-style-type: none"> <li>1. Installez un fusible (neuf) de 15 A.</li> <li>2. Ouvrez la(les) vanne(s) de combustible; vérifiez le réservoir de gaz propane.</li> <li>3. Remplacez la batterie.</li> <li>4. Nettoyer ou remplacer le filtre à air.</li> </ol>
<b>Le moteur s'arrête lorsqu'il est en marche.</b>	<ol style="list-style-type: none"> <li>1. Panne de combustible.</li> <li>2. L'affichage numérique du tableau de commande indique un code de défaillance</li> </ol>	<ol style="list-style-type: none"> <li>1. Vérifiez les vannes de combustible; remplissez le réservoir de gaz propane.</li> <li>2. Référez-vous à Système de détection des pannes.</li> </ol>
<b>Perte de puissance sur les circuits.</b>	<ol style="list-style-type: none"> <li>1. Disjoncteur ouvert sur la génératrice.</li> <li>2. Problèmes de commutateur de transfert.</li> </ol>	<ol style="list-style-type: none"> <li>1. Réarmez le disjoncteur.</li> <li>2. Voir le manuel du commutateur de transfert</li> </ol>
<b>L'unité n'exercera pas par semaine.</b>	<ol style="list-style-type: none"> <li>1. Commutateur de système pas sur l'AUTO.</li> <li>2. Exercer le minuteur pas série.</li> <li>3. Batterie défectueuse.</li> <li>4. Fusible de 15 Ampères manquant ou grillé.</li> </ol>	<ol style="list-style-type: none"> <li>1. Le commutateur fixe de système à l'AUTO.</li> <li>2. Le minuteur fixe d'exercice.</li> <li>3. Remplacez la batterie.</li> <li>4. Installez un fusible (neuf) de 15 A. Voir Tableau de commande de système.</li> </ol>
<b>Vibration excessive</b>	<ol style="list-style-type: none"> <li>1. Perdre le fermoir mécanique.</li> </ol>	<ol style="list-style-type: none"> <li>1. Vérifiez et réparez ou contactez le centre d'entretien.</li> </ol>
<b>L'odeur de carburant</b>	<ol style="list-style-type: none"> <li>1. Alimenter la fuite.</li> </ol>	<ol style="list-style-type: none"> <li>1. Eteindre de la soupape de carburant d'arrêt manuel. Contactez le centre d'entretien.</li> </ol>
<b>Le pouvoir d'utilité retourne, l'unité n'arrête pas</b>	<ol style="list-style-type: none"> <li>1. Les fusibles soufflés dans le commutateur de transfert.</li> <li>2. 5 exécution minimum minutieuse n'est pas tombée.</li> <li>3. Le câble de connexion pauvres ou des contrôleurs défectueux.</li> </ol>	<ol style="list-style-type: none"> <li>1. Installez un fusible (neuf).</li> <li>2. Attendre 5 minutes.</li> <li>3. Vérifiez et réparez ou contactez le centre d'entretien.</li> </ol>

## Génératrices résidentielles de secours PROTECH™

Modèles : GEN10AD GEN12AD GEN15AD GEN18AN GEN20AL

### ÉTENDUE DE LA GARANTIE :

- Cette Garantie restreinte offre le remplacement de toutes pièces défectueuses du produit lors d'une utilisation normale et le service d'entretien pendant la Période de garantie spécifiée, conformément aux termes de la garantie. La pièce de remplacement est garantie uniquement pendant la période restante de la Période de garantie originale.

### EXCEPTIONS :

- Les applications commerciales ne sont pas couvertes.
- Les appareils installés comme source principale d'alimentation ne sont pas couverts.
- Les installations prévues pour les systèmes de maintien des fonctions vitales ne sont pas couvertes.

### DATE D'ENTRÉE EN VIGUEUR DE LA COUVERTURE DE GARANTIE :

La date d'entrée en vigueur correspond à la date d'installation, si celle-ci est adéquatement documentée. Autrement, elle correspond à la date de fabrication plus six (6) mois.

### PÉRIODES DE GARANTIE :

- Les génératrices résidentielles de secours **GEN10AD** sont garanties pendant une période de trois (3) ans ou 1 250 heures de fonctionnement, le premier des deux prévalant.
- Les génératrices résidentielles de secours **GEN12AD, GEN15AD, GEN18AN, GEN20AL** sont garanties pendant une période de quatre (4) ans ou 1 500 heures de fonctionnement, le premier des deux prévalant.
- **La garantie des commutateurs de transfert et des moteurs** est offerte par le fabricant. Reportez-vous au manuel correspondant.

### DISPOSITIONS STANDARD ET CONDITIONS :

**EXCLUSIONS – CETTE GARANTIE NE S'APPLIQUE PAS :** a) aux dommages, fonctionnements incorrects ou **défaillances** résultant de l'installation, du fonctionnement ou de l'entretien de l'appareil de manière non conforme aux instructions du fabricant; b) aux dommages, fonctionnements incorrects ou défaillances résultant d'abus, d'accidents, d'incendies, d'inondations ou de situations similaires; c) aux pièces reliées à un entretien normal comme les ajustements, le nettoyage du système d'alimentation en carburant et l'obstruction causée par les produits chimiques, la saleté, le carbone, la chaux et ainsi de suite; d) aux appareils installés à l'extérieur des États-Unis et du Canada; e) aux appareils installés non conformément aux codes locaux applicables, aux ordonnances et aux bonnes pratiques commerciales; f) aux dommages, fonctionnements incorrects ou défaillances résultant de l'utilisation de périphériques, accessoires ou composants non autorisés par le fabricant; g) aux pièces usées, comme les jauges d'huile, les joints toriques, les filtres à fusibles ou les bougies d'allumage, etc.

**COÛTS D'EXPÉDITION :** Cette Garantie ne couvre PAS les coûts d'expédition. Vous serez responsable des coûts d'expédition des pièces de rechange couvertes par la garantie de notre usine aux installations du distributeur et des installations du distributeur à l'emplacement de votre produit. Vous serez également responsable des coûts de transport liés au renvoi de la pièce défectueuse au distributeur.

**RESPONSABILITÉ DE SERVICE :** Cette Garantie ne s'applique PAS aux coûts de main-d'œuvre liés à l'entretien, au retrait ou à la réinstallation de pièces. Vous êtes responsable de telles dépenses sauf si vous avez une entente de service avec votre entrepreneur.

**COMMENT EXERCER LA GARANTIE :** Vous devez signaler sans tarder toute défaillance couverte par cette garantie à l'entrepreneur responsable de l'installation ou au distributeur. Normalement, l'entrepreneur responsable de l'installation de qui vous avez acheté l'appareil pourra prendre les mesures correctives nécessaires pour obtenir les pièces de rechange auprès de son distributeur. Si l'entrepreneur n'est pas disponible, communiquez avec un autre entrepreneur local desservant les produits de climatisation RHEEM, RUUD ou PROTECH. Vous pouvez obtenir le nom et la localisation d'un entrepreneur local dans le bottin téléphonique ou en communiquant avec un distributeur de produits de climatisation RHEEM, RUUD ou PROTECH. Si nécessaire, le bureau suivant peut vous renseigner sur l'entrepreneur le plus près :

4744 Island Ford Road, Randleman, NC 27317

CEPENDANT, IL FAUT VALIDER L'APPLICABILITÉ DE LA COUVERTURE DE LA GARANTIE POUR TOUT REMPLACEMENT. Toute pièce à remplacer doit être fournie en échange pour son remplacement.

### Garantie limitée :

**Il n'existe aucune autre garantie expresse. Les garanties implicites, incluant celles de qualité marchande et d'adaptation à un usage particulier, sont limitées à une période d'un an à partir de la date d'achat ou jusqu'à la limite permise par la loi, toute garantie implicite est exclue. La responsabilité pour dommages accessoires ou indirects est exclue dans la mesure où une telle exclusion est permise par la loi.** Certains états/provinces ou pays n'autorisent aucune restriction sur la durée d'une garantie implicite, et certains états/provinces ou pays n'autorisent pas l'exclusion ou la limitation des dommages consécutifs ou indirects. Par conséquent, les restrictions et exclusions décrites ci-dessus pourraient ne pas s'appliquer dans votre cas. La présente garantie vous accorde certains droits légaux spécifiques et vous pourriez également en avoir d'autres, lesquels peuvent varier d'un État ou d'une province à l'autre et d'un pays à l'autre. 202249F, Rev. D, 10/16/2009

RHEEM SALES COMPANY

Randleman NC

« Dans l'optique d'une amélioration continue, nous nous réservons le droit de faire des changements sans préavis. »

Français

fr

# Caractéristiques du produit

## 12 AD

Charge nominale maximum à 25°C (77°F) PL\*  
à 240 Volts ..... 50 Ampères  
Tension nominale C.A. .... 120/240 Volts  
Phase ..... Monophasé  
Fréquence nominale ..... 60 Hz  
Plage d'utilisation normale.. -28.8°C (-20°F) to 40°C (104°F)  
Niveau de bruit en sortie..... 74 dB(A) at 7 m (23 ft.)  
à pleine charge  
Poids du système à l'expédition .....274 kg (605 lb)

---

## Spécifications du moteur

Cylindrée .....896 cm<sup>3</sup> (54,68 ci.)  
Écartement des électrodes..... 0,51 mm (0,020 in.)  
Couple de serrage de la bougie.....20 Nm (180 lb-in.)  
Entrefer bobine ..... 0,13 - 0,20 mm (0,005 - 0,008 in.)  
Jeu de soupape d'admission ..... 0,10 - 0,15 mm  
(0,004 - 0,006 in.)  
Jeu de soupape d'échappement0,10 - 0,15 mm (0,004 - 0,006 in.)  
Huile..... 5W30 Synthetic  
Capacité d'huile.....2,3 - 2,4 L (78 - 80 oz.)

---

## Pièces d'entretien courant

Filtre à air ovale ..... 798748  
Huile - synthétiques ..... 100074  
Filtre à huile ..... 492932  
Bougie à résistance ..... 692051  
Bougie en platine longue durée ..... 5066

\*Les caractéristiques nominales de cette génératrice sont conformes à la norme 2200 (génératrices à moteur fixe) de UL (Underwriters Laboratories) et à la norme C22.2 No. 100-04 (moteurs et génératrices) de l'ACNOR (Association canadienne de normalisation).

### Puissance théorique

La puissance théorique brute pour chaque modèle de moteur à essence est indiquée conformément à la norme J1940 (procédure de calcul de la puissance et du couple des petits moteurs) de la SAE (Society of Automotive Engineers) et les performances théoriques ont été obtenues et corrigées selon SAE J1995 (révision 2002-05). Les valeurs de couple sont définies à 3 060 tr/min et les valeurs de puissance sont définies à 3 600 tr/min. Les valeurs nettes de puissance sont établies avec l'échappement et le filtre à air installés tandis que les valeurs brutes de puissance sont définies sans ces accessoires. La puissance brute réelle du moteur sera supérieure à la puissance nette et est influencée notamment par les conditions ambiantes de fonctionnement et les variations d'un moteur à l'autre. Compte tenu de la grande variété de machines sur lesquelles nos moteurs sont utilisés, il se peut que le moteur à essence ne développe pas sa puissance brute théorique une fois qu'il est monté sur une machine particulière. Cette différence s'explique par un grand nombre de facteurs, tels que (liste non limitative), les accessoires (filtre à air, échappement, admission, refroidissement, carburateur, pompe à essence, etc.), les limites d'utilisation, les conditions ambiantes d'utilisation (température, humidité, altitude) et les variations d'un moteur à l'autre. Pour des raisons de fabrication et de capacité limitées, Briggs & Stratton est susceptible de remplacer un moteur par une version plus puissante pour ces moteurs de série.



## Free Manuals Download Website

<http://myh66.com>

<http://usermanuals.us>

<http://www.somanuals.com>

<http://www.4manuals.cc>

<http://www.manual-lib.com>

<http://www.404manual.com>

<http://www.luxmanual.com>

<http://aubethermostatmanual.com>

Golf course search by state

<http://golfingnear.com>

Email search by domain

<http://emailbydomain.com>

Auto manuals search

<http://auto.somanuals.com>

TV manuals search

<http://tv.somanuals.com>