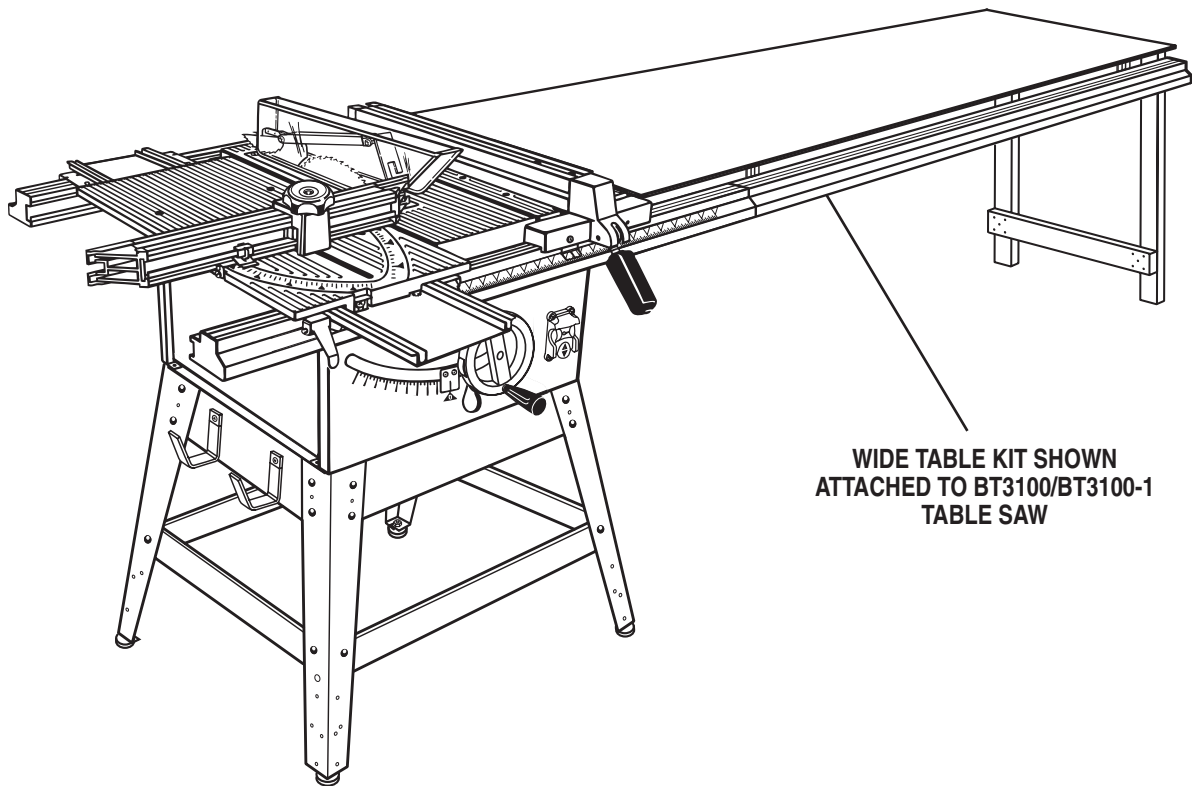




OPERATOR'S MANUAL WIDE TABLE KIT

4730301

FOR USE WITH RYOBI BT3100 AND RYOBI BT3100-1 TABLE SAW



LUMBER NOT INCLUDED WITH THIS KIT
TABLE SAW AND STAND NOT INCLUDED WITH THIS KIT

Your new Wide Table Kit has been engineered and manufactured to Ryobi's high standard for dependability, ease of operation, and operator safety. Properly cared for, it will give you years of rugged, trouble-free performance.

WARNING: To reduce the risk of injury, the user must read and understand the operator's manual before using this product.

Thank you for buying a Ryobi accessory kit.

SAVE THIS MANUAL FOR FUTURE REFERENCE

TABLE OF CONTENTS

■ Introduction	2
■ Rules For Safe Operation	2
■ Symbols	3
■ Unpacking	3
■ Loose Parts	4
■ Tools Needed	4
■ Assembly	5-8
■ Parts Ordering / Service	9

INTRODUCTION

This Wide Table Kit has many features for making the use of your table saw more pleasant and enjoyable. Safety, performance, and dependability have been given top priority in the design of this product making it easy to maintain and operate.

WARNING:

WARNING:

Do not attempt to use this product until you read thoroughly and understand completely the operator's manual. Pay close attention to the safety rules, including Dangers, Warnings, and Cautions. If you use your product properly and only as intended, you will enjoy years of safe, reliable service.



The operation of any tool can result in foreign objects being thrown into your eyes, which can result in severe eye damage. Before beginning operation, always wear safety goggles or safety glasses with side shields and a full face shield when needed. We recommend Wide Vision Safety Mask for use over eyeglasses or standard safety glasses with side shields. Always wear eye protection which is marked to comply with ANSI Z87.1.



Look for this symbol to point out important safety precautions. It means attention!!! Your safety is involved.

RULES FOR SAFE OPERATION

Safe operation of this accessory requires that you read and understand this operator's manual, the operator's manual for the table saw and all labels affixed to the tool.

READ ALL INSTRUCTIONS

- **KNOW YOUR ACCESSORY.** Read the operator's manual carefully. Learn the product's applications and limitations as well as the specific potential hazards related to this product.
- **KEEP THE WORK AREA CLEAN.** Cluttered work areas and work benches invite accidents. **DO NOT** leave tools or pieces of wood on the saw while operating.
- **ALWAYS WEAR SAFETY GLASSES WITH SIDE SHIELDS.** Everyday eyeglasses have only impact-resistant lenses; they are **NOT** safety glasses.
- **DO NOT USE THIS PRODUCT WITH OTHER EQUIPMENT** or for other purposes.
- **ALWAYS DISCONNECT THE SAW FROM THE POWER SUPPLY BEFORE ASSEMBLING THIS KIT.** Make sure the switch is off when reconnecting the saw to a power supply.

- **BEFORE MAKING A CUT, BE SURE ALL ADJUSTMENTS ARE SECURE.**
- **SAVE THESE INSTRUCTIONS.** Refer to them frequently and use them to instruct other users. If you loan someone this product, also loan these instructions.

WARNING:

Some dust created by power sanding, sawing, grinding, drilling, and other construction activities contains chemicals known to cause cancer, birth defects or other reproductive harm. Some examples of these chemicals are:

- lead from lead-based paints,
 - crystalline silica from bricks and cement and other masonry products, and
 - arsenic and chromium from chemically-treated lumber.
- Your risk from these exposures varies, depending on how often you do this type of work. To reduce your exposure to these chemicals: work in a well ventilated area, and work with approved safety equipment, such as those dust masks that are specially designed to filter out microscopic particles.

SYMBOLS

The purpose of safety symbols is to attract your attention to possible dangers. The safety symbols, and the explanations with them, deserve your careful attention and understanding. The safety warnings do not by themselves eliminate any danger. The instructions or warnings they give are not substitutes for proper accident prevention measures.

SYMBOL MEANING



DANGER: Indicates an imminently hazardous situation, which, if not avoided, will result in death or serious injury.



WARNING: Indicates a potentially hazardous situation, which, if not avoided, could result in death or serious injury.







CAUTION: Indicates a potentially hazardous situation, which, if not avoided, may result in minor or moderate injury. It may also be used to alert against unsafe practices that may cause property damage.

Note: Advises you of additional information concerning the operation or maintenance of the equipment.

SAFETY AND INTERNATIONAL SYMBOLS

This operator's manual describes safety and international symbols and pictographs that may appear on this product. Read the operator's manual for complete safety, assembly, operating and maintenance, and repair information.

SYMBOL	NAME	MEANING
	Wet Condition Alert	<ul style="list-style-type: none"> Do not expose to rain or use in damp locations.
	No Hands Symbol	<ul style="list-style-type: none"> Failure to keep your hands away from the blade will result in serious personal injury.
	Read the Operator's Manual	<ul style="list-style-type: none"> To reduce the risk of injury, the user must read and understand the operator's manual before using this product.
	Eye Protection	<ul style="list-style-type: none"> Always wear safety goggles or safety glasses with side shields and a full face shield when operating this product.

SAVE THESE INSTRUCTIONS

UNPACKING

Your new Wide Table Kit includes two 41 in. extension rails, plus the necessary brackets and connecting hardware required to make one wide support base and a rear extension table for your BT3100/BT3100-1 table saw. All you have to supply is the lumber required for table tops and table legs, plus the wood screws, nails, bolts, etc. required to secure the table legs to the table top.

- Remove the parts from the box. Make sure that all items listed in the loose parts list are included.

- Inspect all parts carefully to make sure no breakage or damage occurred during shipping.
- If any parts are damaged or missing, please call 1-800-525-2579 for assistance.

WARNING:

If any parts are missing do not assemble the kit until the missing parts are replaced. Failure to do so could result in serious personal injury

LOOSE PARTS

Table Bracket.....	8	Hex Bolt (5/16-18 x 1/2 in.).....	10
Connector.....	4	Wood Screw (#10 x 5/8 in. Rd. Hd.)	16
Front Extension Rail	1	Washer (1/4 in.).....	4
Square Head Bolt (1/4-20 x 1/2 in.).....	4	Rear Extension Rail.....	1
Hex Nut (1/4-20).....	4	Hex Bolt (5/16-18 x 5/8 in.).....	2
T-Nut.....	12	Spacer.....	2
Washer (5/16 in.).....	12		

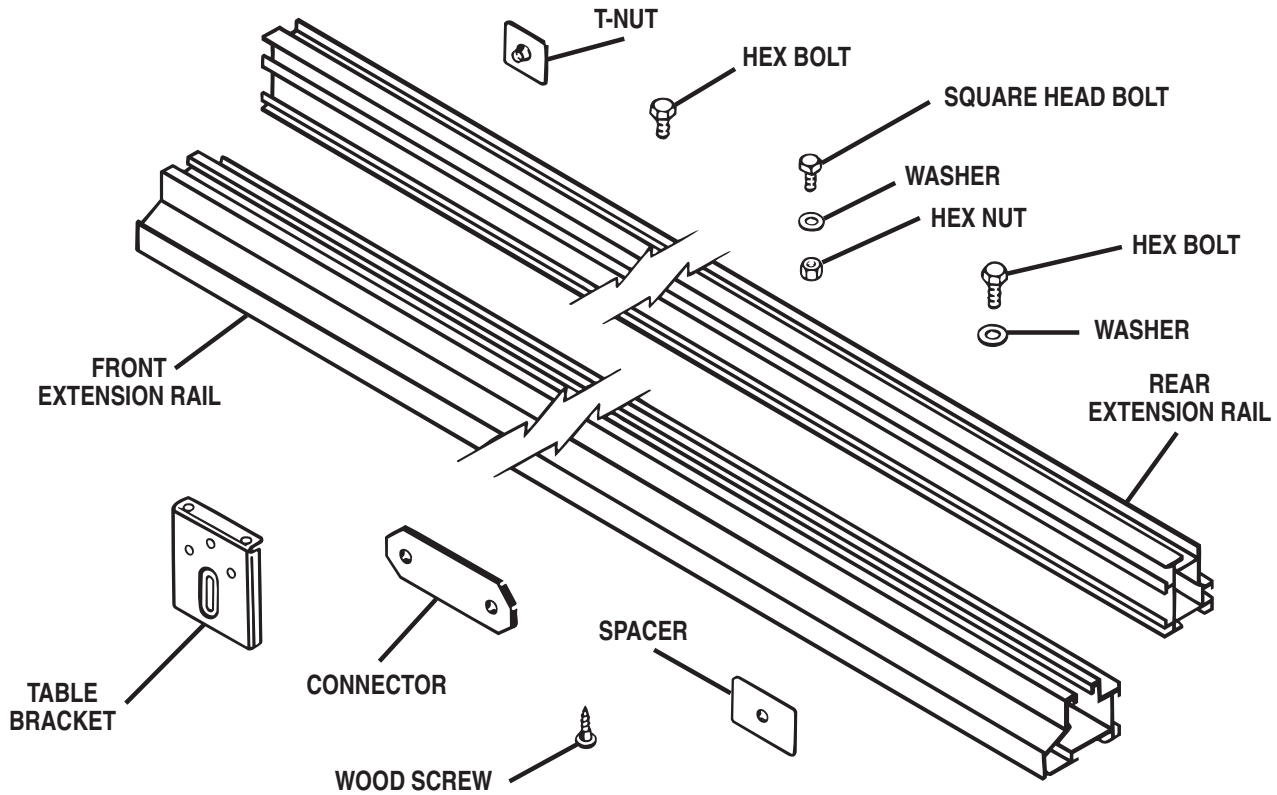
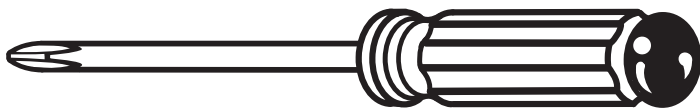
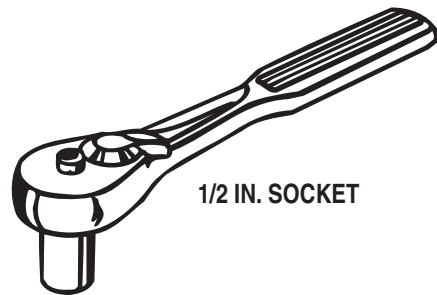


Fig. 1

TOOLS NEEDED



#2 PHILLIPS SCREWDRIVER



1/2 IN. SOCKET

ASSEMBLY

TO ATTACH FRONT EXTENSION RAIL

See Figure 2 and 4.

- Remove end caps from right end of front rail on your BT3100/BT3100-1 table saw. See Figure 4.
- Slide one of the T-nuts into bottom channel of front rail on your saw. Slide a second T-nut into back channel of front rail.
- Attach one of the connectors provided to T-nut on bottom of front rail and secure with a washer (5/16 in.) and a hex bolt (5/16-18-x 1/2 in.). Finger tighten only.
- Orient front extension rail so that it matches front rail of your saw. Place two T-nuts in matching channels of front extension rail.
- Connect bottom T-nut to connector on front rail of your saw and secure with a washer (5/16 in.) and a hex bolt (5/16 in. x 1/2 in.). Finger tighten only.
- Attach a second connector to back channel of front rail and front extension rail. Secure it to each T-nut with a washer (5/16 in.) and hex bolt (5/16 in. x 1/2 in.). Finger tighten only.

TO ATTACH REAR EXTENSION RAIL

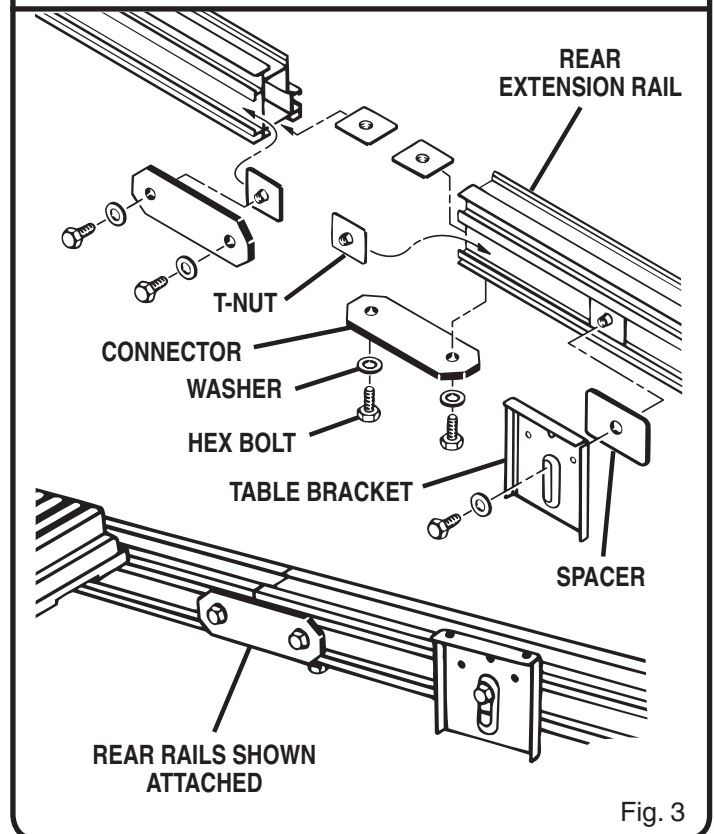
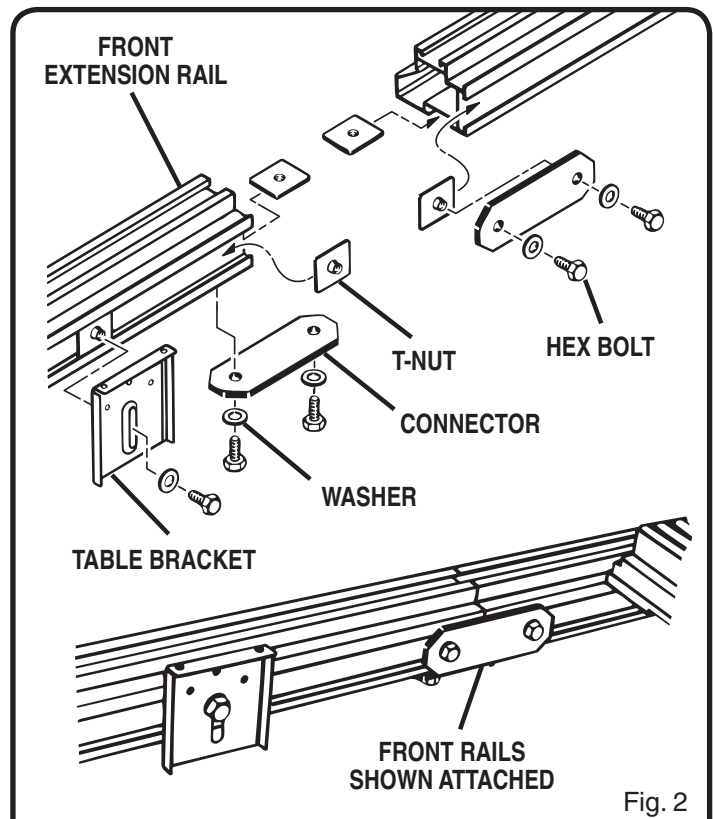
See Figure 3 and 5.

The rear extension rail attaches to rear rail on your BT3100/BT3100-1 table saw by repeating the above procedure for attaching front extension rail. The only difference being the rear rail has a different configuration. See Figure 3.

NOTE: There are several repetitive steps required for assembling this kit. Please study and review illustrations closely for clarification when asked to repeat a procedure.

After attaching rear rail extension to your saw you should now have the front and rear extension rails attached to your saw using four connectors, eight T-nuts, eight washers (5/16 in.), and eight hex bolts (5/16 in. x 1/2 in.).

Using a 1/2 in. socket or the small wrench supplied with your table saw, tighten all eight bolts securely. Assure the two rail sets are straight before, during and after tightening.



ASSEMBLY

TO ATTACH TABLE BRACKETS

- Slide two T-nuts into channel on rear portion of front extension rail. See Figures 2 and 4.
- Attach two table brackets and secure with washers (5/16 in.) and hex bolts (5/16 in. x 1/2 in.) supplied. Hand tighten only.
- Slide two T-nuts into channel on front portion of rear extension rail. See Figures 3 and 5.
- Place a spacer between table brackets and T-nuts on rear extension rail as shown in figure 5.
- Secure table brackets and spacers with two washers (5/16 in.) and two hex bolts (5/16 in. x 5/8 in.) supplied. Hand tighten only.

NOTE: These bolts are longer to accommodate spacers. Spacers are needed to provide clearance for the rip fence when sliding along extension rails.

AUXILIARY TABLE TOP (not supplied)

We suggest you make the auxiliary table top from a piece of plywood cut 22 in. wide by 44 in. long by 3/4 in. thick.

- Space table brackets on each of the four corners so that they are approximately 6 in. from the ends of extension rails. See Figures 4 and 5.
- Place table top in desired position on table brackets and adjust table brackets as needed.
- Tighten the four table bracket bolts securely.
- Slide rip fence the entire length of extension rails to make sure it will clear your new extension table. Make adjustments as needed for clearance and smooth operation of rip fence.
- Cut a piece of 2 x 4 approximately 19 in. long and secure to bottom of table top with wood screws. See Figure 8.

NOTE: Use flat head wood screws (not included) if attaching this piece thru table top. Make sure these screw heads are below the surface of table top. We suggest you mount it from underneath table top if possible.

- This piece should also be located close to the end of your table top. We suggest that you turn it on its edge as shown in figure 8.

NOTE: Table legs will be secured to this piece of wood.

- Reposition table top on table brackets and secure with wood screws (#10 x 5/8 in.) provided. See Figure 7.

NOTE: These screws mount from underneath table top.

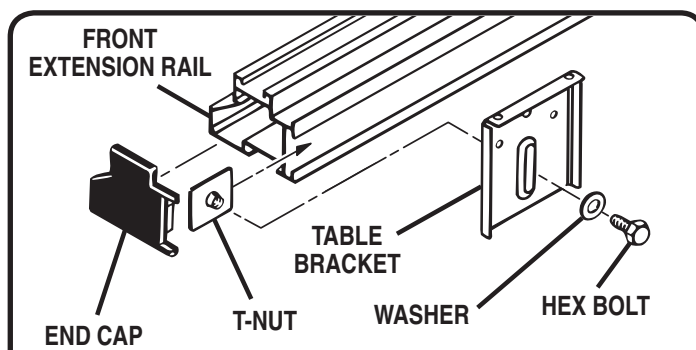


Fig. 4

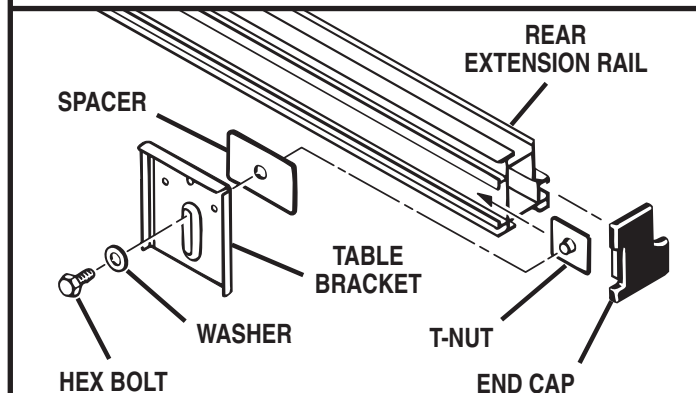


Fig. 5

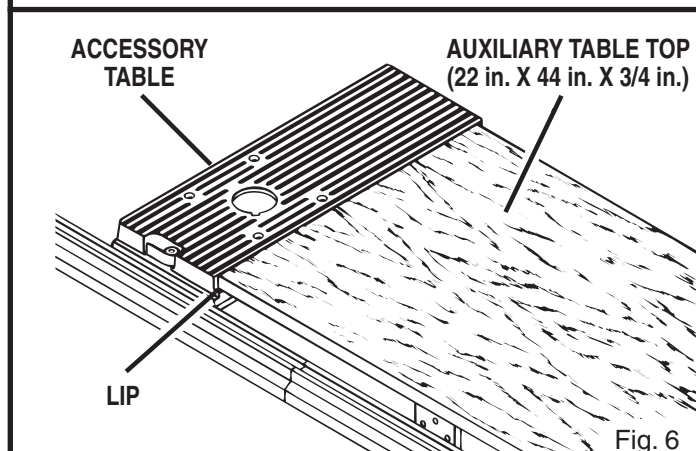


Fig. 6

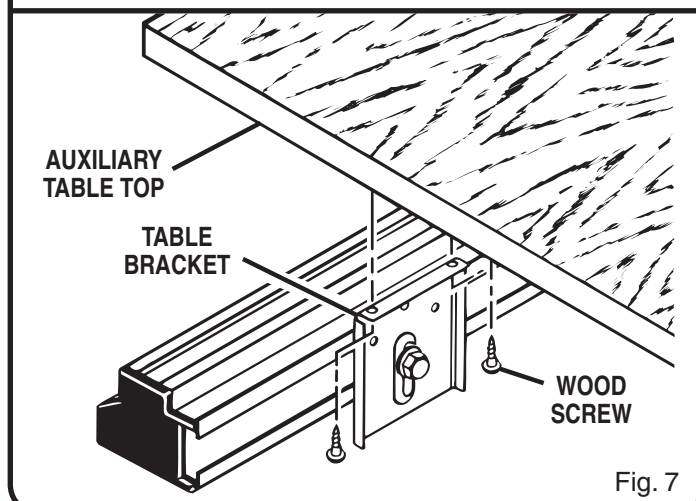


Fig. 7

ASSEMBLY

TABLE LEGS (not supplied)

See Figure 8.

Table legs can be made from either 2 x 4s or by purchasing a Ryobi Leg Set, #4730305, depending upon the application in which your saw is being used. For example, if your saw is being used in a permanent application you may want to use 2 x 4s which will be more sturdy and provide extra stability. The metal leg set may be preferable for portable applications or when moving your saw around in a workshop.

TABLE LEGS MADE FROM 2 X 4s

Option #1

- Cut two 2 x 4 legs the exact length required to support extension table.
- Make sure ends are cut perfectly square for better stability.
- Place legs flush against bottom of table top and against 19 in. 2 x 4 attached to bottom of table top. See Figure 8.
- Secure table legs to table top with wood screws or bolts, washers, and hex nuts (not included).
- If extra bracing is needed, cut a scrap piece of wood and attach to bottom of table legs. See Figure 9.

Option #2

Option #2 will allow table legs to be adjusted to the proper height when your saw is used in portable applications, or in situations where the floor is not perfectly level. This option requires cutting a slot in top of table legs as shown in figure 8.

ADDITIONAL TABLE LEG OPTIONS

Additional options are also available for making table legs:

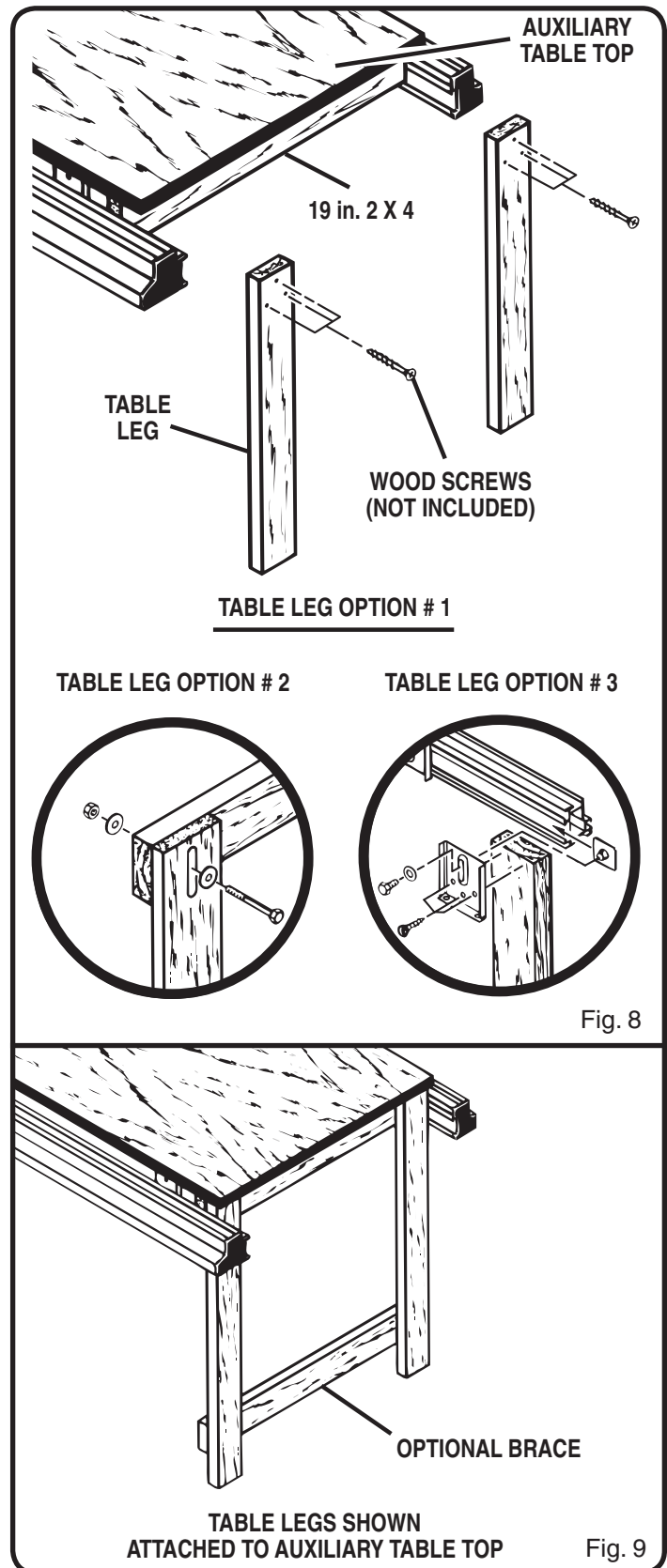
Option #3

If desired, table brackets can also be used for leg brackets. This option would eliminate the necessity of cutting slots in top of table legs for height adjustments.

NOTE: Additional table brackets are available and may also be purchased. Table brackets can be mounted upside down on table legs and secured to extension rails. Using the appropriate bolts, washers, and T-nuts will permit slots in table brackets to then be used for making height adjustments. See Figure 8.

Option #4

It is also possible to turn legs 90° from the way we have shown and attach to each end of the 19 in. 2 x 4 under table top. This option attaches similar to the way we have described above, however, because of very close dimensions, it is a more difficult procedure.



ASSEMBLY

This kit also includes brackets and connecting hardware for making an extension table behind the blade to provide support and control when ripping large panels. The size of this table should be made according to application requirements and individual preferences.

TO ATTACH TABLE BRACKETS

See Figure 10.

- Insert the (four) square head bolts (1/4-20 x 1/2 in.) into slot in back of rear rail of your table saw and rear extension rail.
- Space bolts along rails as needed to accommodate rear extension table.
- Attach remaining four table brackets to rails and secure with washers (1/4 in.) and hex nuts (1/4 in.) provided.
- Hand tighten hex nuts.

REAR EXTENSION TABLE TOP (not supplied)

See Figure 11.

We suggest you cut a piece of plywood 82 in. long by 3/4 in. thick. As previously mentioned the width should be determined according to application requirements and individual preferences. Two slots should be cut in the plywood as shown in figure 11. These slots will permit sliding miter table to continue to be used as it was designed. Slots must be cut large enough to permit full travel of sliding miter table, so as not to lose its versatility.

- Place rear extension table top in desired position on table brackets and adjust table brackets as needed.
- Tighten the (four) hex nuts securely.
- Secure rear extension table top with wood screws (#10 x 5/8 in.) provided. See Figure 8.

NOTE: These screws mount from underneath table top the same way auxiliary table top mounts to table brackets.

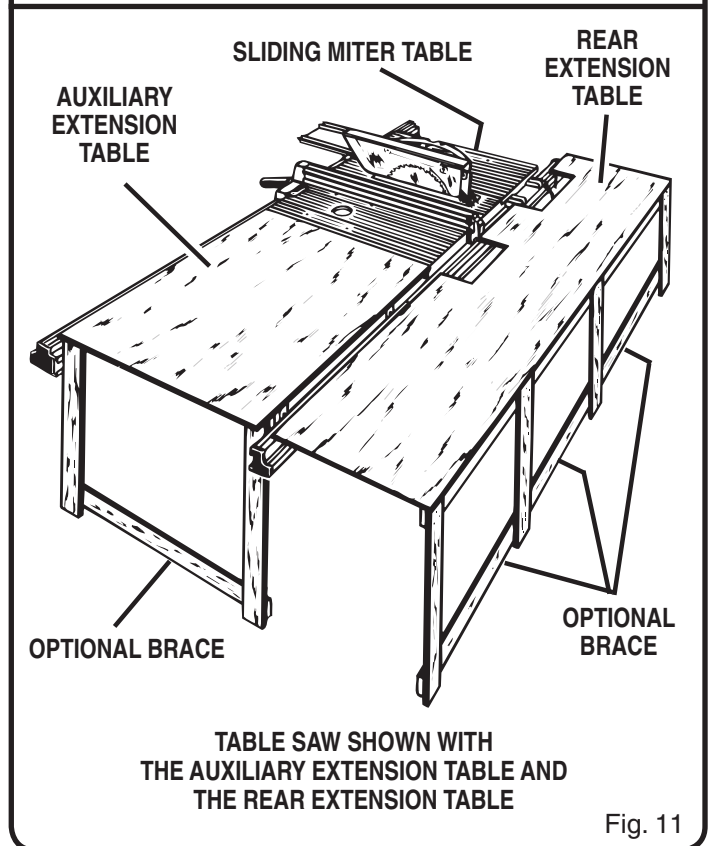
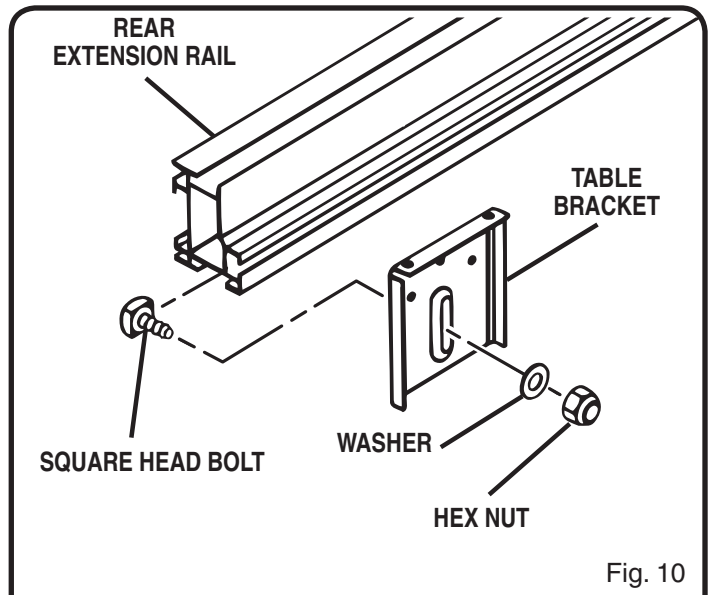
TABLE LEGS (not supplied)

See Figure 8.

Table legs (four) for the rear extension table should be constructed. Construct them similar to methods explained for making table legs for auxiliary extension table. Either 2 x 4s or Ryobi Leg Set, # 4730305 can be used.

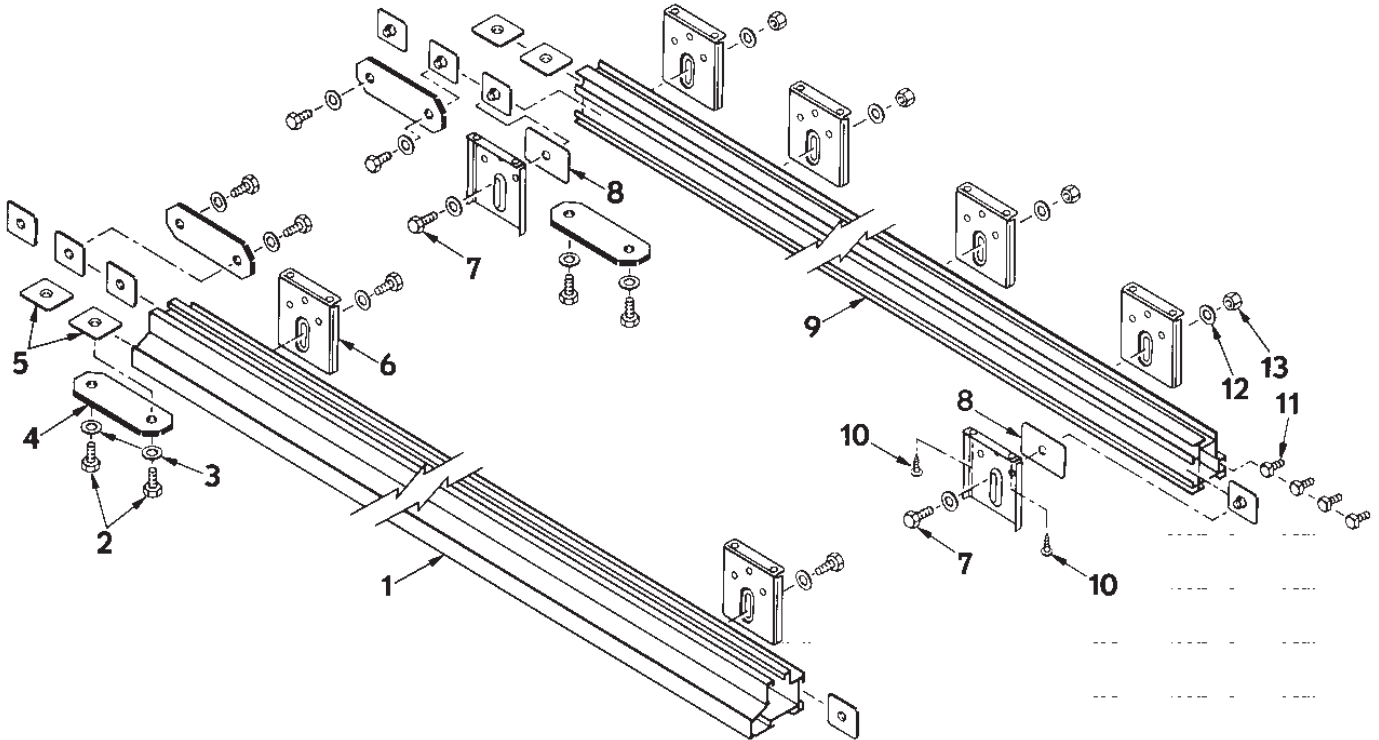
A piece of 2 x 4 for securing table legs would need to be mounted on bottom of rear extension table. It should be located close to the end of rear extension table.

If extra bracing is needed, cut pieces of scrap wood and attach to bottom of table legs. See Figure 11.



RYOBI WIDE TABLE KIT NO. 4730301

Now that you have purchased your **Wide Table Kit**, should a need ever exist for repair parts or service, simply contact your nearest Ryobi Authorized Service Center. Be sure to provide all pertinent facts when you call or visit.



PARTS LIST

Key No.	Part Number	Description	Qty.
1	0181010812	Front Extension Rail.....	1
2	615570-014	* Hex Bolt (5/16-18 x 1/2 in.)	10
3	706382-361	* Washer (5/16 in.)	12
4	970147-002	Connector	4
5	969251-001	T-Nut	12
6	970146-002	Table Bracket	8
7	615570-008	* Hex Bolt (5/16-18 x 5/8 in.)	2
8	661847-002	Spacer	2
9	0181011805	Rear Extension Rail.....	1
10	969969-001	* Wood Screw (#10 x 5/8 in. Rd. Hd.).....	16
11	623166-005	* Bolt (1/4-20 x 1/2 in. Sq. Hd.).....	4
12	706382-358	* Washer (1/4 in.)	4
13	622171-053	* Hex Nut (1/4-20)	4
	972000-219	Operator's Manual (not shown)	

* STANDARD HARDWARE ITEM — MAY BE PURCHASED LOCALLY



OPERATOR'S MANUAL WIDE TABLE KIT

4730301

FOR USE WITH RYOBI BT3100 AND RYOBI BT3100-1 TABLE SAW

- **SERVICE**

Now that you have purchased your tool, should a need ever exist for repair parts or service, simply contact your nearest Ryobi Authorized Service Center. Be sure to provide all pertinent facts when you call or visit. Please call 1-800-525-2579 for your nearest Ryobi Authorized Service Center. You can also check our web site at www.ryobitools.com for a complete list of Authorized Service Centers.

- **HOW TO ORDER REPAIR PARTS**

WHEN ORDERING REPAIR PARTS,
ALWAYS GIVE THE FOLLOWING INFORMATION:

- MODEL NUMBER 4730301
- SERIAL NUMBER _____

RYOBI TECHNOLOGIES, INC.

1428 Pearman Dairy Road Anderson, SC 29625

Post Office Box 1207, Anderson, SC 29622-1207

Phone 1-800-525-2579

www.ryobitools.com

Free Manuals Download Website

<http://myh66.com>

<http://usermanuals.us>

<http://www.somanuals.com>

<http://www.4manuals.cc>

<http://www.manual-lib.com>

<http://www.404manual.com>

<http://www.luxmanual.com>

<http://aubethermostatmanual.com>

Golf course search by state

<http://golfingnear.com>

Email search by domain

<http://emailbydomain.com>

Auto manuals search

<http://auto.somanuals.com>

TV manuals search

<http://tv.somanuals.com>